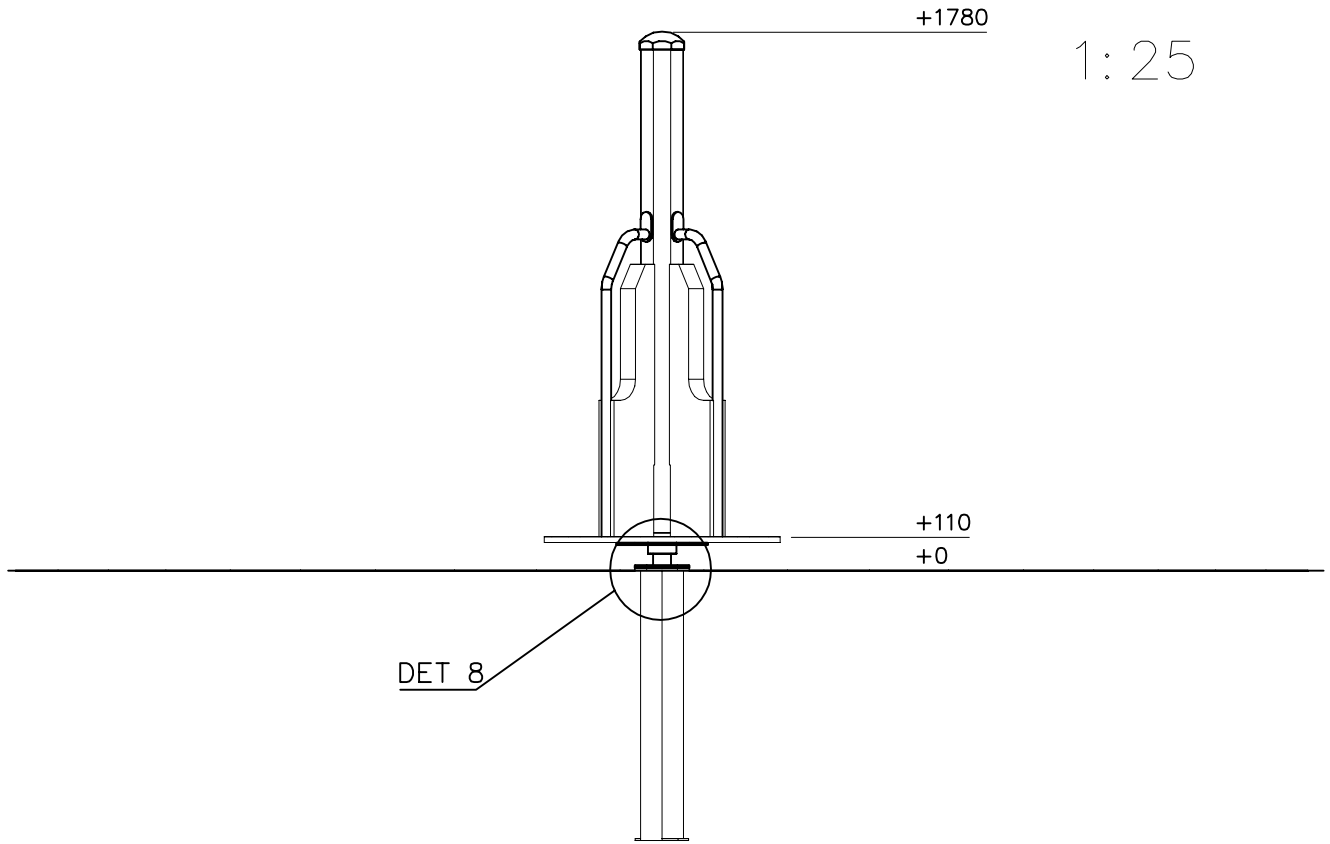


① 009325	PCS	② 701823	PCS
	4		1
70x190x900		Ø780x20	
③ 701947	PCS	④ 900185	PCS
	1		1
140x140x1632		192,4x192,4x8	
⑤ 900240	PCS	⑥ 901802	PCS
	4		4
Ø8x70		M16x50	
⑦ 902012	PCS	⑧ 903003	PCS
	1		4
300x82		1075x207x50	
⑨ 903108	PCS	⑩ 903145	PCS
	1		4
180x180x906		M16x40	
⑪ 903158	PCS	⑫ 905103	PCS
	4		8
M16		PT-28/32-H	

⑬ 905139	PCS	⑭ 905197	PCS	⑮ 909142	PCS	⑯ 909230	PCS	⑰ 909248	PCS
	1		1		4		12		4
69x69x20		147x147x56,5		M12x70		8x150		M12	
⑱ 909520	PCS	⑲ 909638	PCS	⑳ 980131	PCS	㉑ 980151	PCS	㉒ 980154	PCS
	8		8		4		12		8
Ø30/17		Ø20/10,5		Ø6x60		Ø16/8.4		Ø24/13	

<p>DET 1</p> <p>M16x40 Ø30/17 M16 903108</p>	<p>DET 2</p> <p>701947 Ø20/10,5 900185 Ø20/10,5 701823 M10</p>	<p>DET 3</p> <p>M12x70 Ø24/13 902012 Ø24/13 M12</p>
<p>DET 4</p> <p>905103 Ø16/8.4 8x150 009304</p>	<p>DET 5</p> <p>903003 M16x50</p>	<p>DET 6</p> <p>8x70 903003</p>
<p>DET 7</p> <p>6x60</p>		
<p>DET 8</p> <p>Sand 0.2-2 mm/ Gravel 2-8 mm Concrete 600x600x300 300 900</p>		



EN Impact Area 17.9 m²

