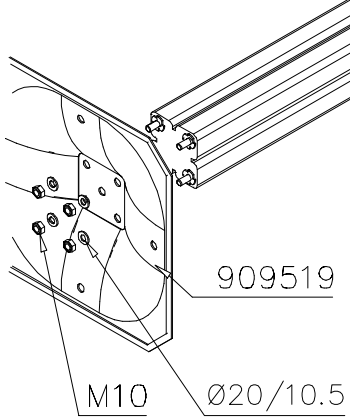
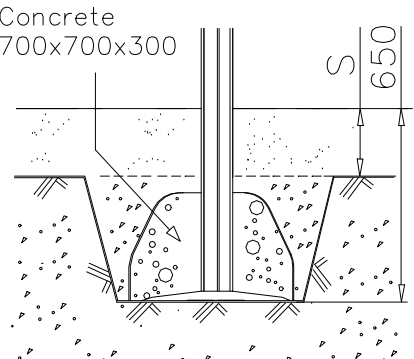
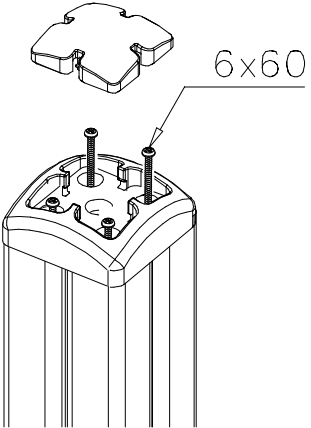
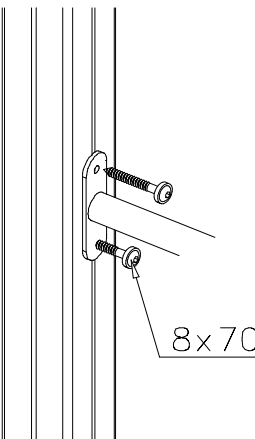
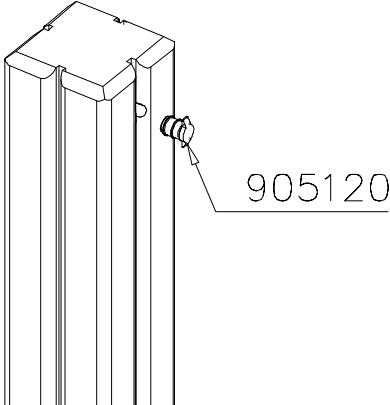
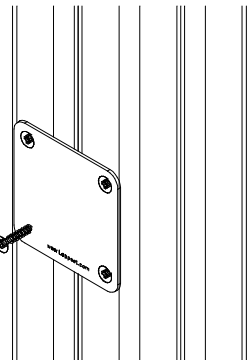


①	005312	PCS	②	701431	PCS
		1			2
				L2550	
③	701437	PCS	④	900240	PCS
		2			12
	L3450			8x70	
⑤	980131	PCS	⑥	905196	PCS
		16			4
	6x60			GREY	
⑦	905138	PCS	⑧	909506	PCS
		4			8
	GREY			3.5x13	
⑨	901785	PCS	⑩	909519	PCS
		3			4
	L 1104				
⑪	902487	PCS	⑫	702286	PCS
		1			1
	65x65			90x50	
		PCS			PCS
		PCS			PCS

<p>DET 1</p>  <p>909519 M10 Ø20/10.5</p>	<p>DET 2</p>  <p>Concrete 700x700x300 650</p>	<p>DET 3</p>  <p>6x60</p>
<p>DET 4</p>  <p>8x70</p>	<p>DET 5</p>  <p>905120</p>	<p>DET 6</p>  <p>3.5x13</p>