

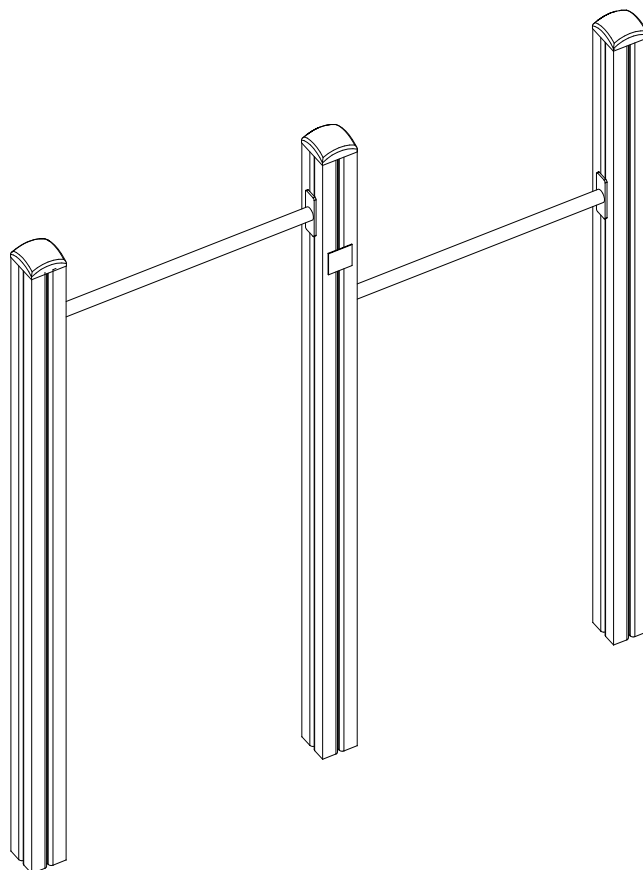
LAPPSET®

CLOVER



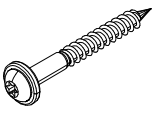
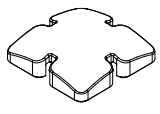
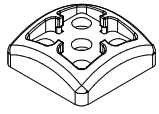
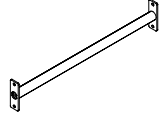
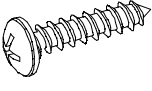
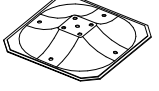
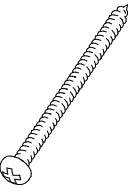
ASENNUSOHJE
MONTERINGSANSVISNING
INSTALLATION INSTRUCTION
AUFBAUANLEITUNG
NOTICE D'INSTALLATION

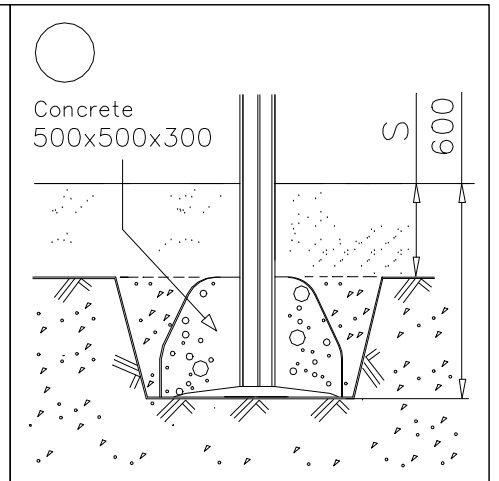
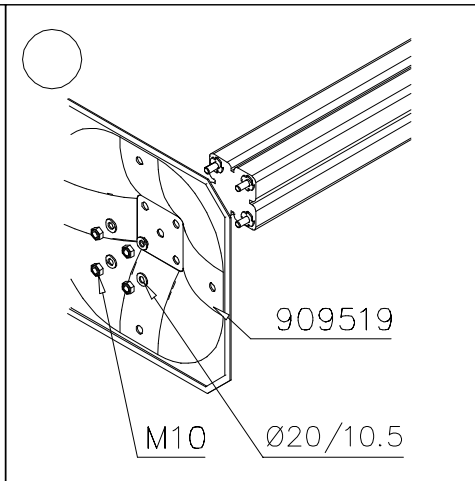
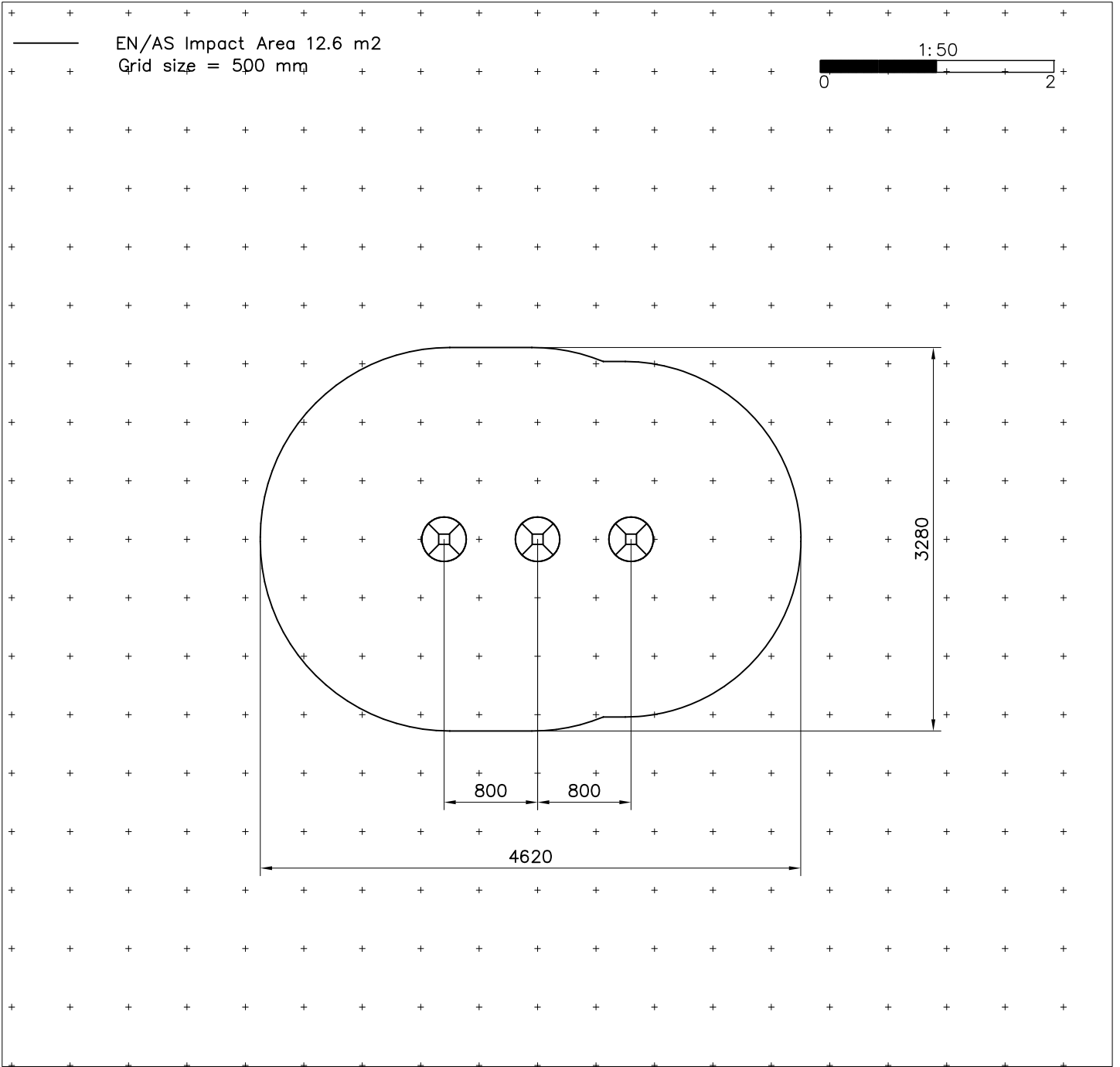
DATE: 12.7.2017

175010

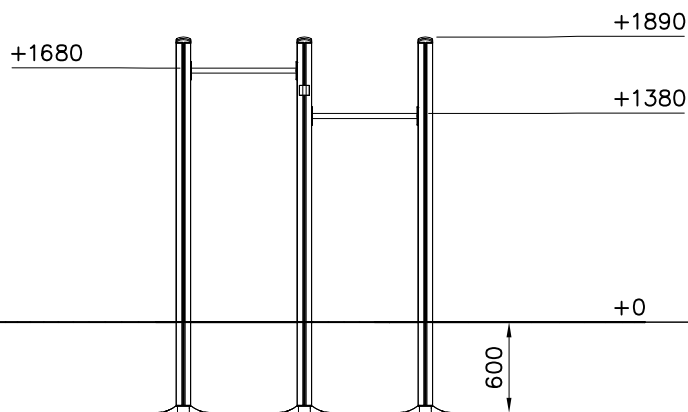
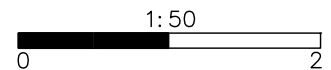
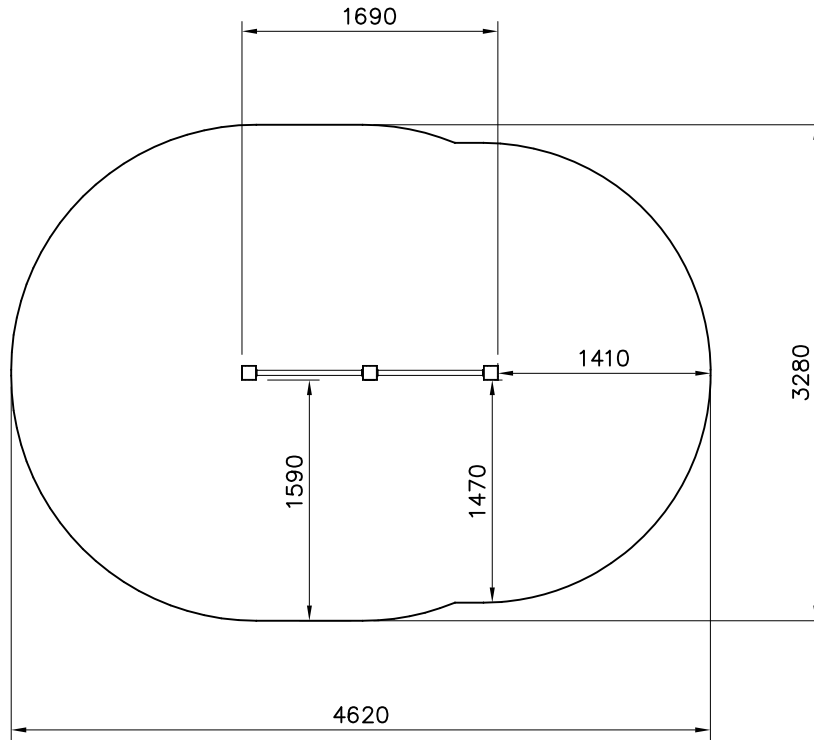
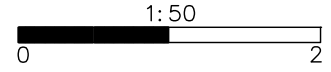


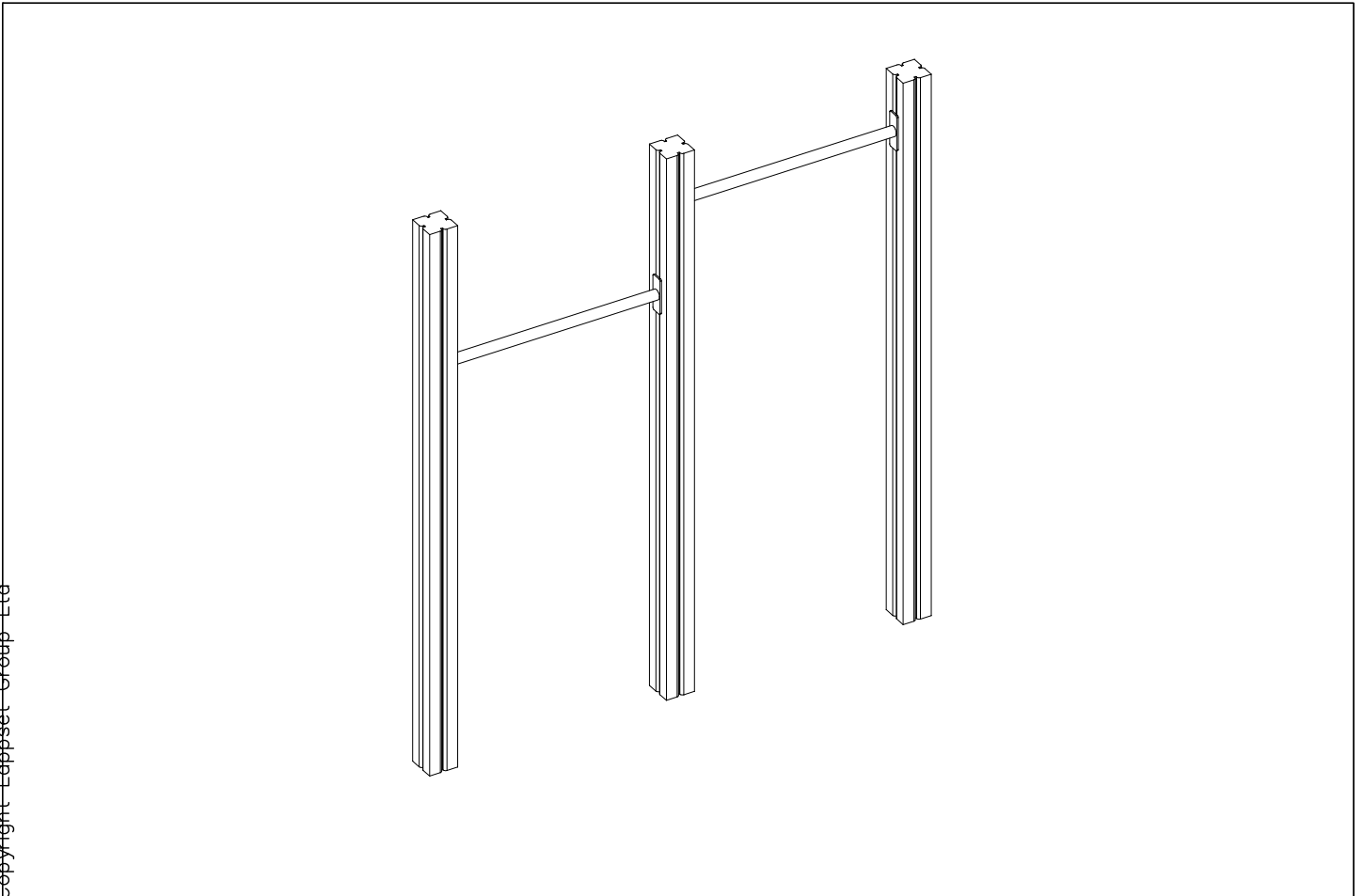
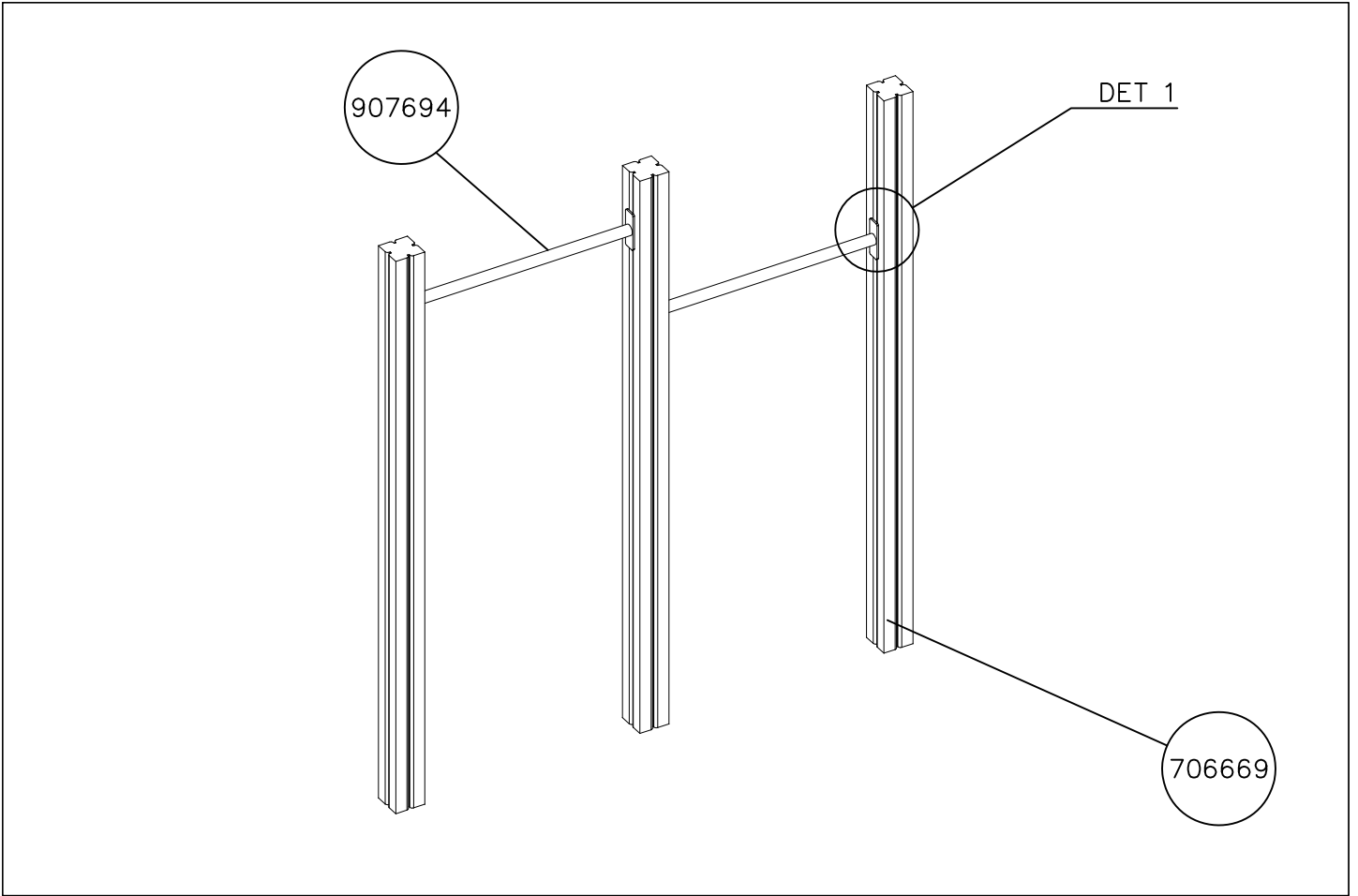
DATE: 12.7.2017

702286  65x65	PCS 1	706669  93x93x2400	PCS 3	900240  Ø8x70	PCS 8	905138  GRAY	PCS 3	905196  GRAY	PCS 3	907694-216  L 704	PCS 2
909506  Ø3.5x13	PCS 4	909519  50x380x380	PCS 3	980131  Ø6x60	PCS 12		PCS		PCS		PCS
	PCS		PCS		PCS		PCS		PCS		PCS
	PCS		PCS		PCS		PCS		PCS		PCS
	PCS		PCS		PCS		PCS		PCS		PCS
	PCS		PCS		PCS		PCS		PCS		PCS
	PCS		PCS		PCS		PCS		PCS		PCS

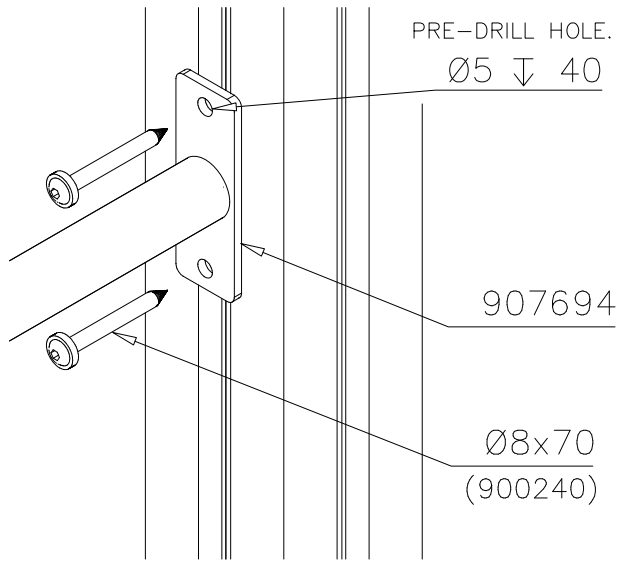


—— EN/AS Impact Area 12.6 m²
- - - - Falling Space 12.6 m²
Max Falling Height 1680 mm





DET 1



DET 2

