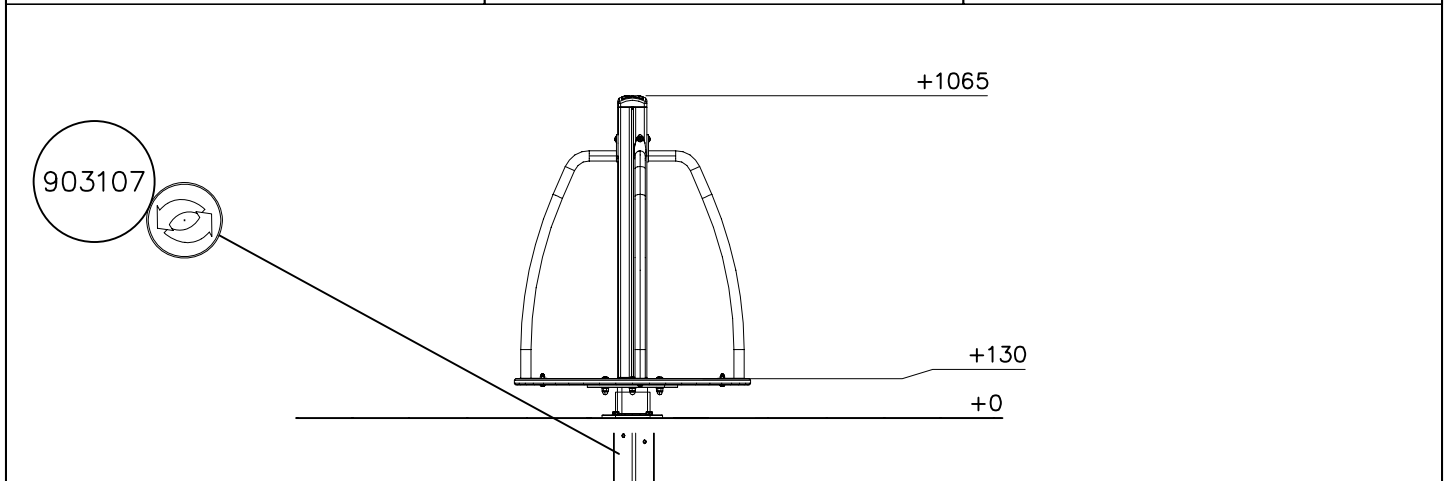
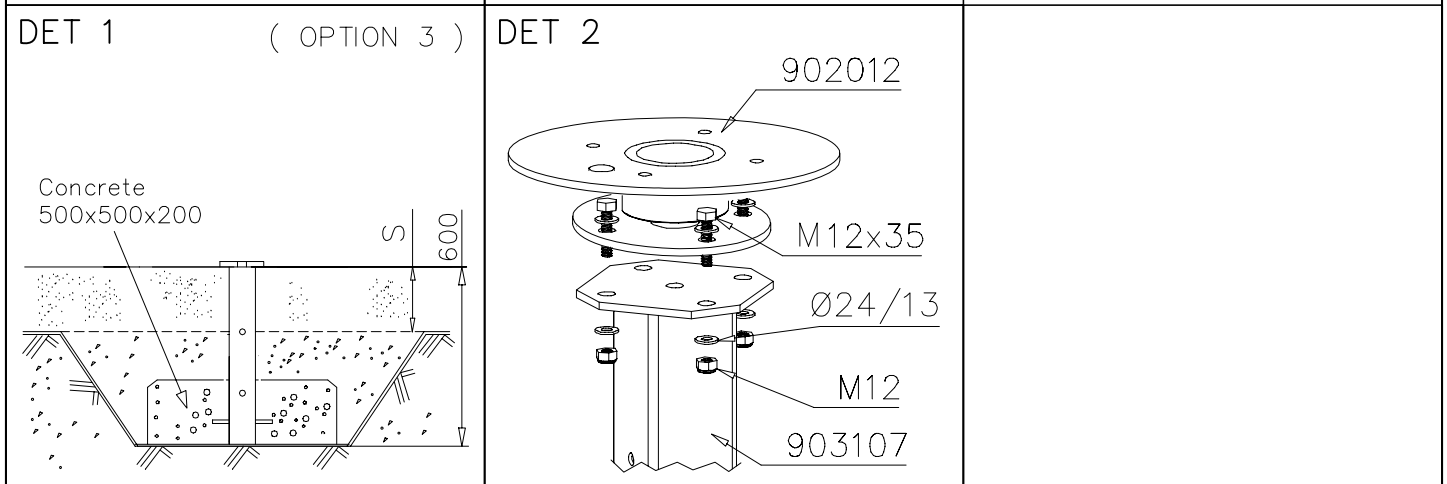
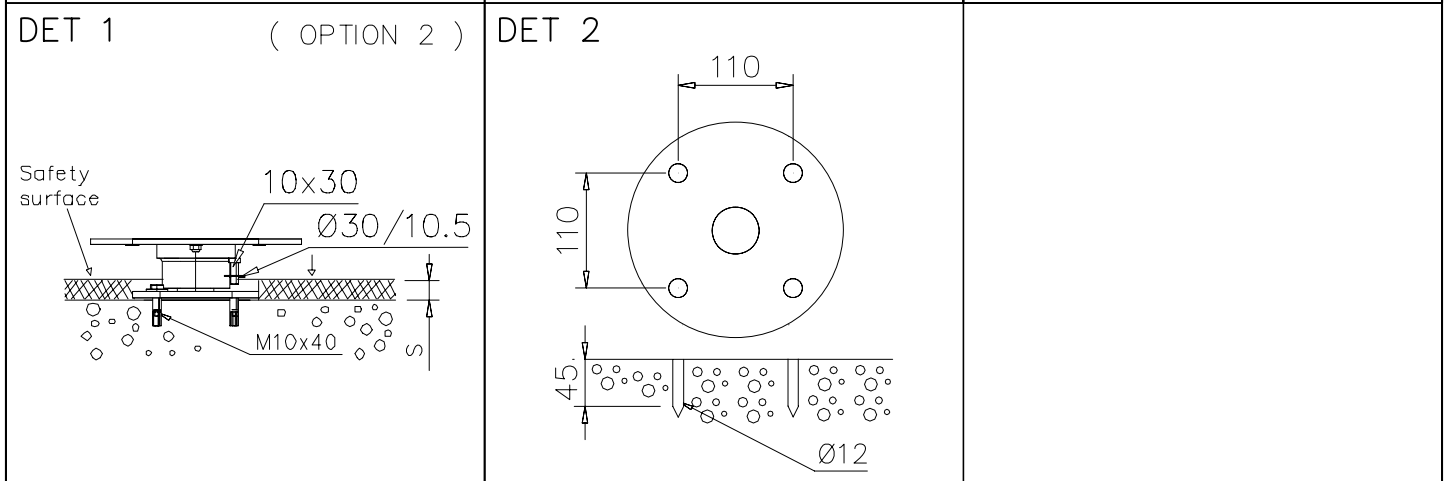
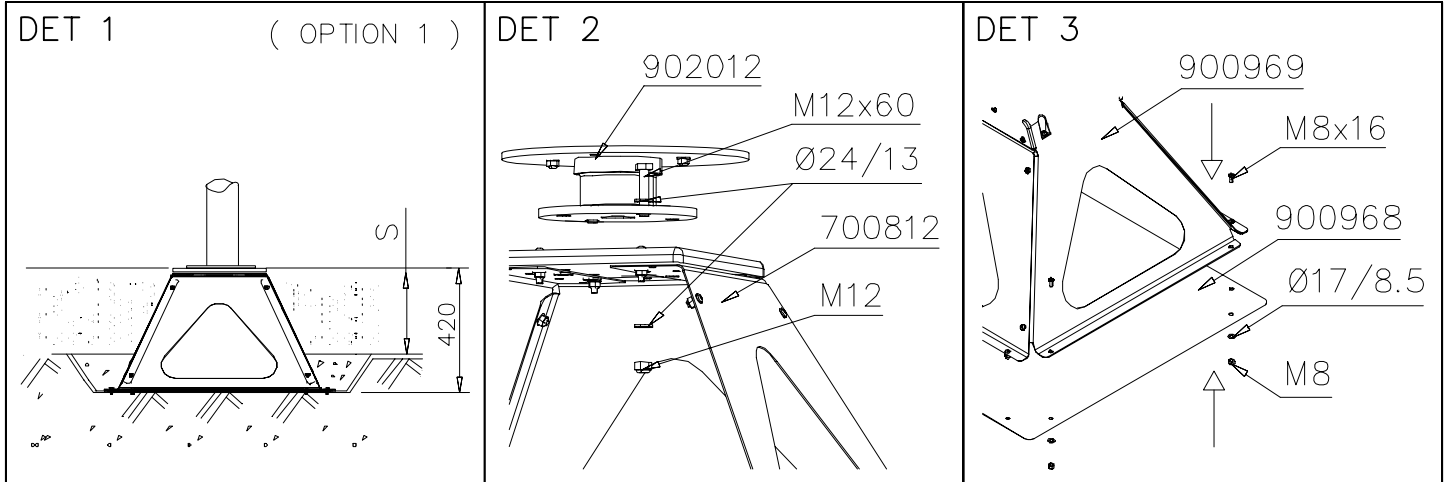


				<p>① 701703 PCS 1 95x95x900</p>	<p>② 701785 PCS 1 Ø780x20</p>
				<p>③ 900240 PCS 4 Ø8x70</p>	<p>④ 901782 PCS 4 Ø33x810x324</p>
				<p>⑤ 902012 PCS 1 300x110</p>	<p>⑥ 903107 PCS 1 L 600</p>
				<p>⑦ 905138 PCS 1 GRAY</p>	<p>⑧ 905196 PCS 1 GRAY</p>
<p>—— EN Impact Area 18 m2 - - - Falling Space 18 m2 Max Falling Height 1000 mm</p>				<p>⑨ 900367 PCS 4 M12x40</p>	<p>⑩ 909248 PCS 4 M12</p>
				<p>⑪ 909347 PCS 4 M12x35</p>	<p>⑫ 909644 PCS 4 M12</p>
				<p>⑬ 909633 PCS 4 M8</p>	<p>⑭ 909852 PCS 4 M8x30</p>
<p>⑮ 980131 PCS 4 Ø6x60</p>	<p>⑯ 980154 PCS 12 Ø24/13</p>	<p>⑰ 702286 PCS 1 90x50</p>	<p>⑱ 902487 PCS 1 65x65</p>	<p>⑲ 909506 PCS 4 Ø3.5x13 A2</p>	



<p>DET 4</p> <p>Ø20/10.5 701785 M10</p>	<p>DET 5</p> <p>M12x40 Ø24/13 M12</p>	<p>DET 6</p> <p>M8 M8x30</p>
<p>DET 7</p> <p>8x70</p>	<p>DET 8</p> <p>6x60</p>	