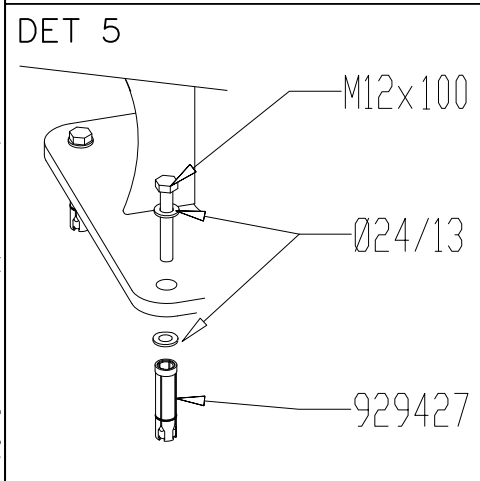
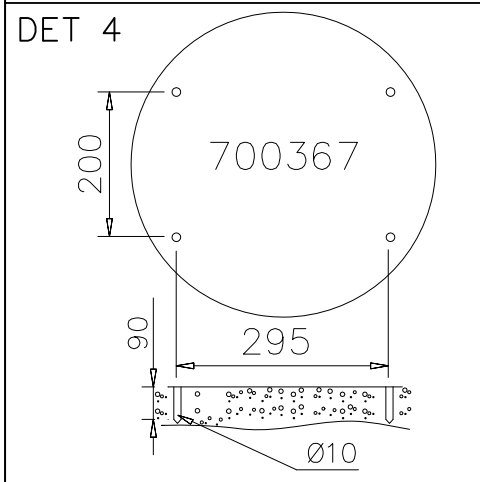
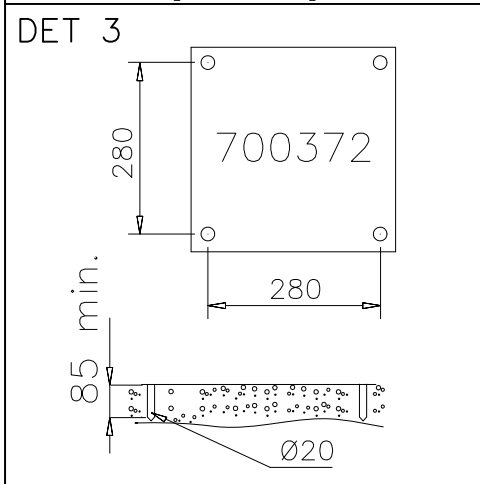
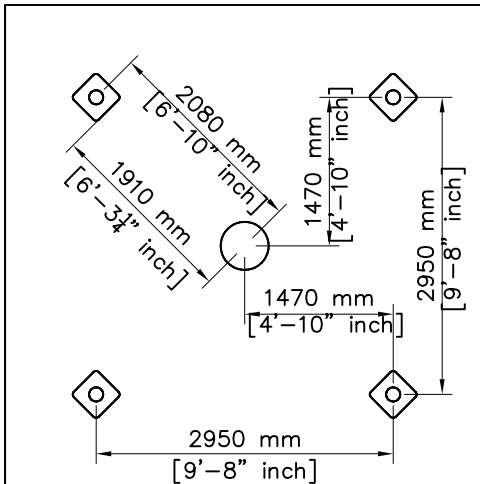


EN Impact Area 38.3 m<sup>2</sup> (412 sq ft)  
 Max falling height 100 cm (3 - 3 1/2 in)

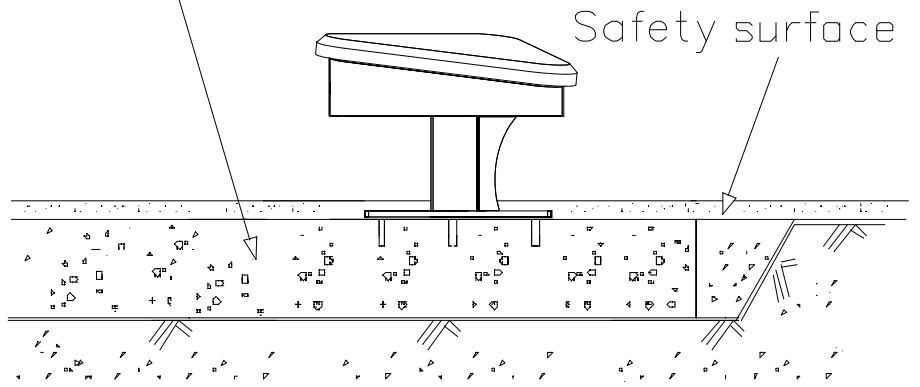
① 700367	PCS	② 700372	PCS
	1		4
Ø640x550		668x600x455	
③ 700376	PCS	④ 900695	PCS
	1		12
3300x3300		M12	
⑤ 900733	PCS	⑥ 901104	PCS
	20		80
Ø450x85		M8x80	
⑦ 909628	PCS	⑧ 702341	PCS
	4		1
M10x100		90x50	
⑨ 980154	PCS	⑩ 909141	PCS
	32		16
Ø24/13		M12x100	
⑪ 929427	PCS	⑫ 903236	PCS
	16		160
M12x80		Ø30/10.5	
⑬ 980151	PCS	⑭ 909633	PCS
	80		80
Ø16/8.5		M8	
	PCS		



DET 1

NOTE!  
HOX!

STEELNET Ø6 #150  
Concrete  
4000x4000x150 K30



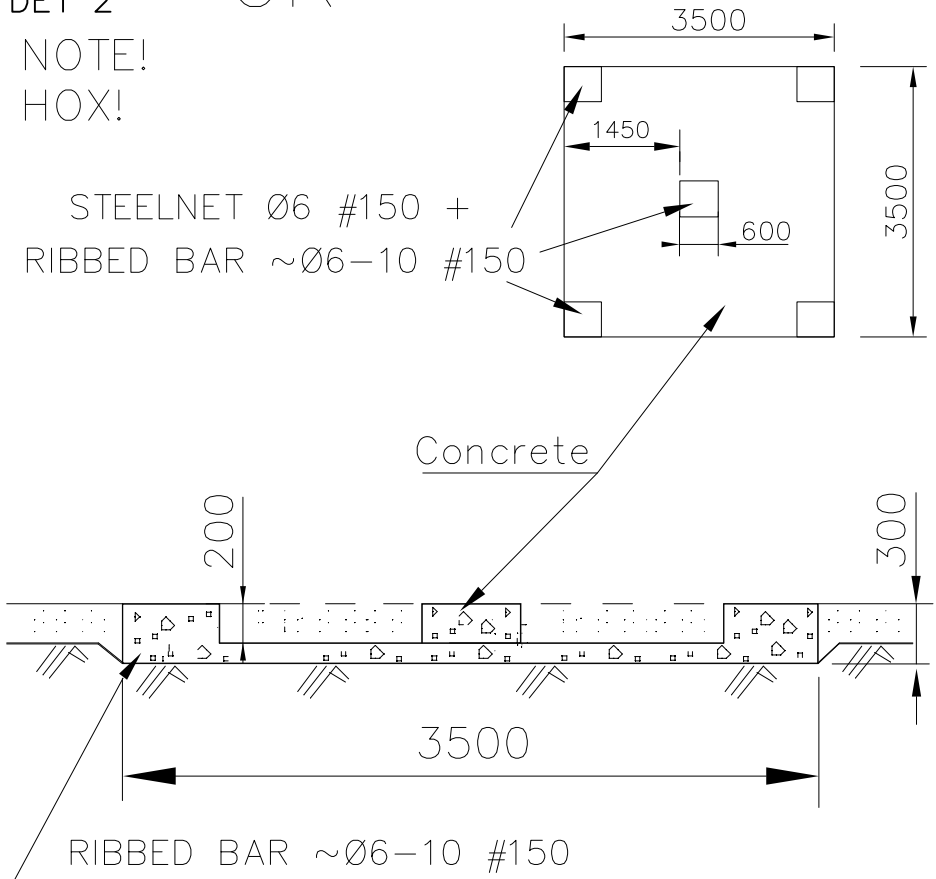
Solid impact attenuating surfacing.

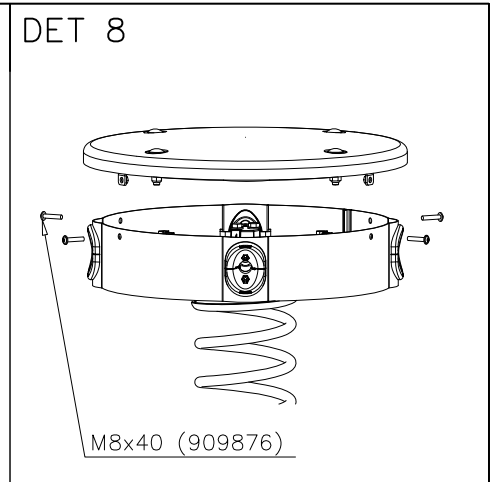
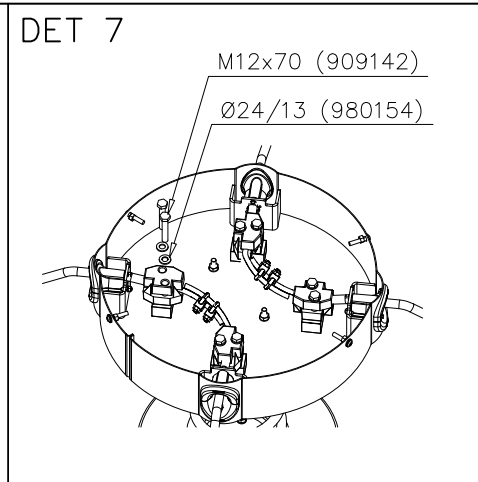
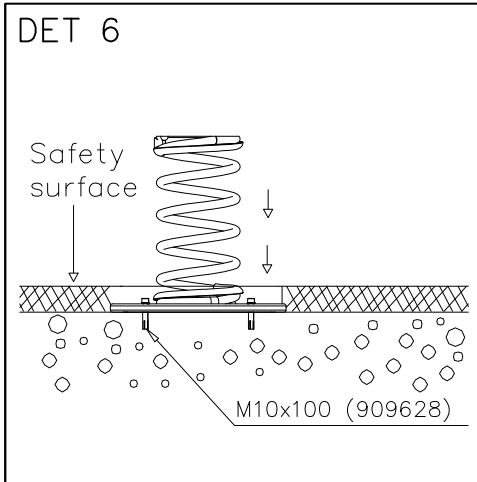
OR

DET 2

NOTE!  
HOX!

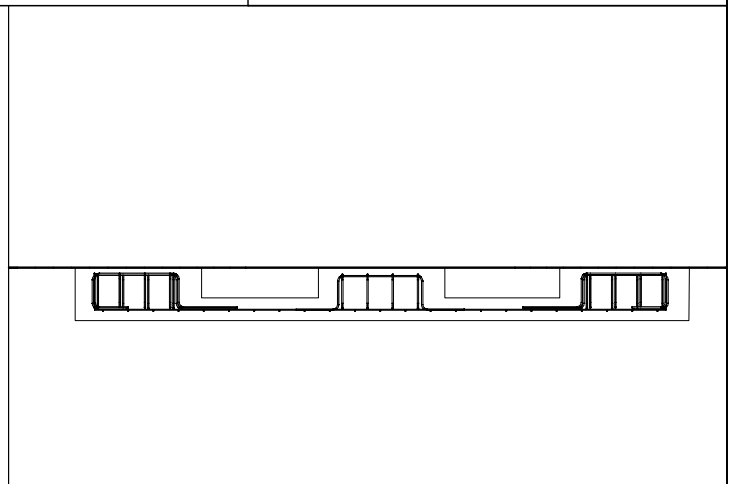
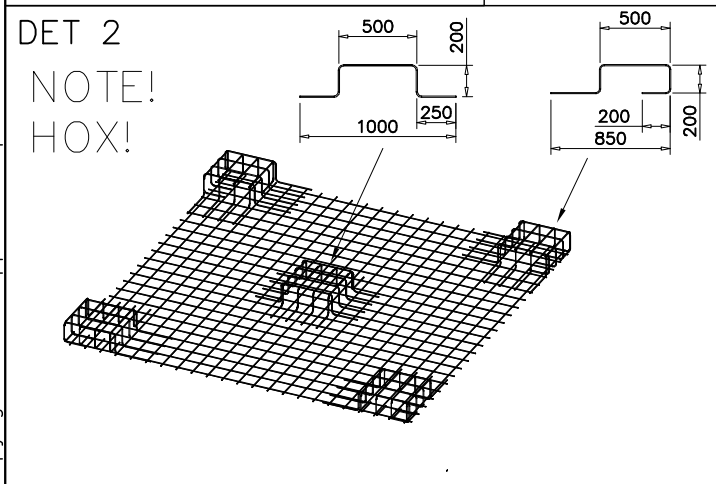
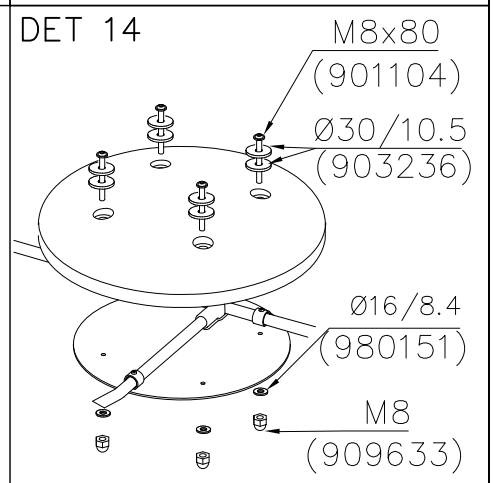
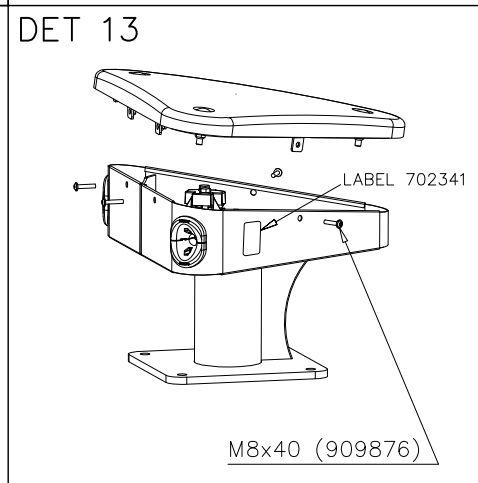
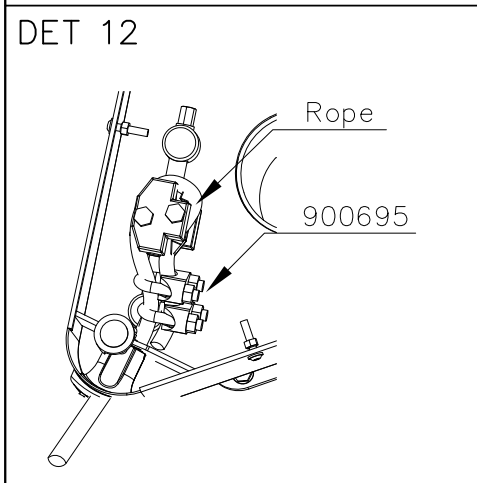
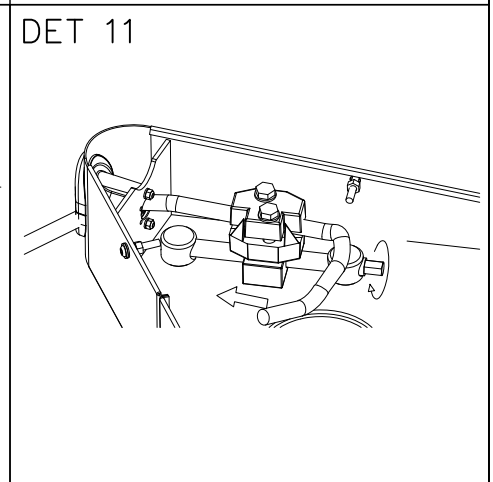
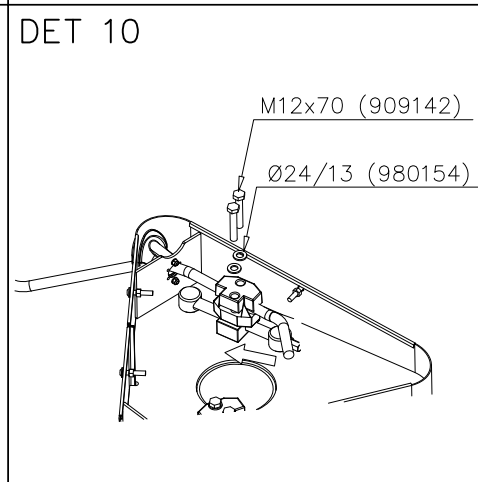
STEELNET Ø6 #150 +  
RIBBED BAR ~Ø6-10 #150





DET 9

- 1) Tighten the net as tight as possible by pulling from ropes (DET 10).
- 2) Fasten screws at torque 100 Nm.
- 3) The net can be post-tensioned by tightening the screw (DET 11). Remember to tight equally on every corner.



DET 15

Retighten when necessary

20-50mm

Note:  
Properly tightened rope hangs approx. 20-50mm below vertical.

