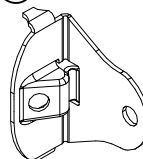
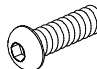
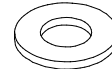
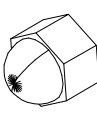

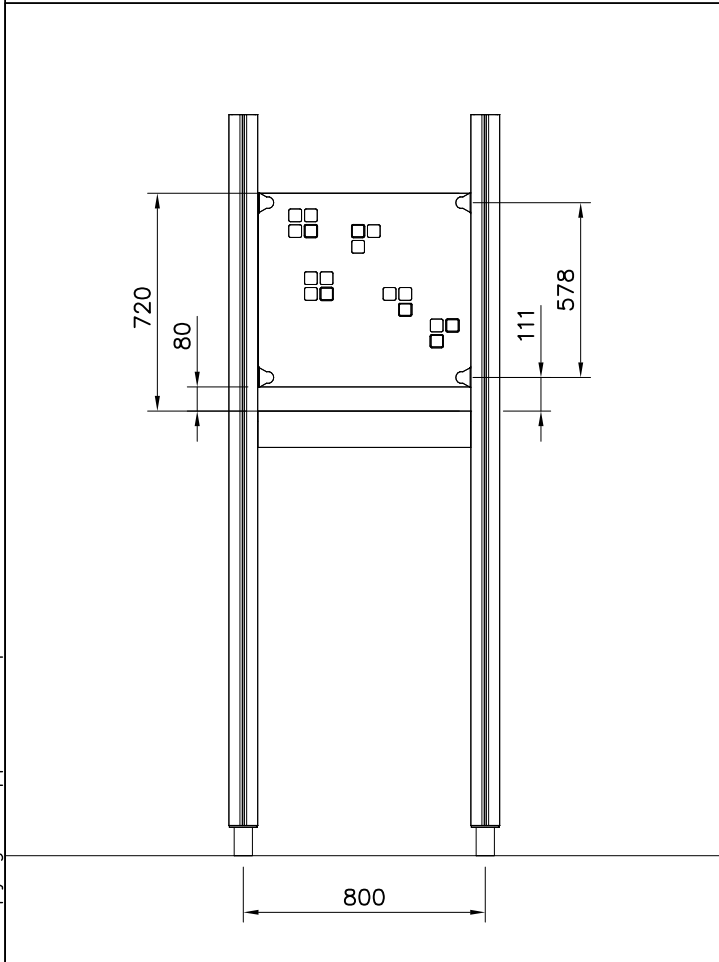
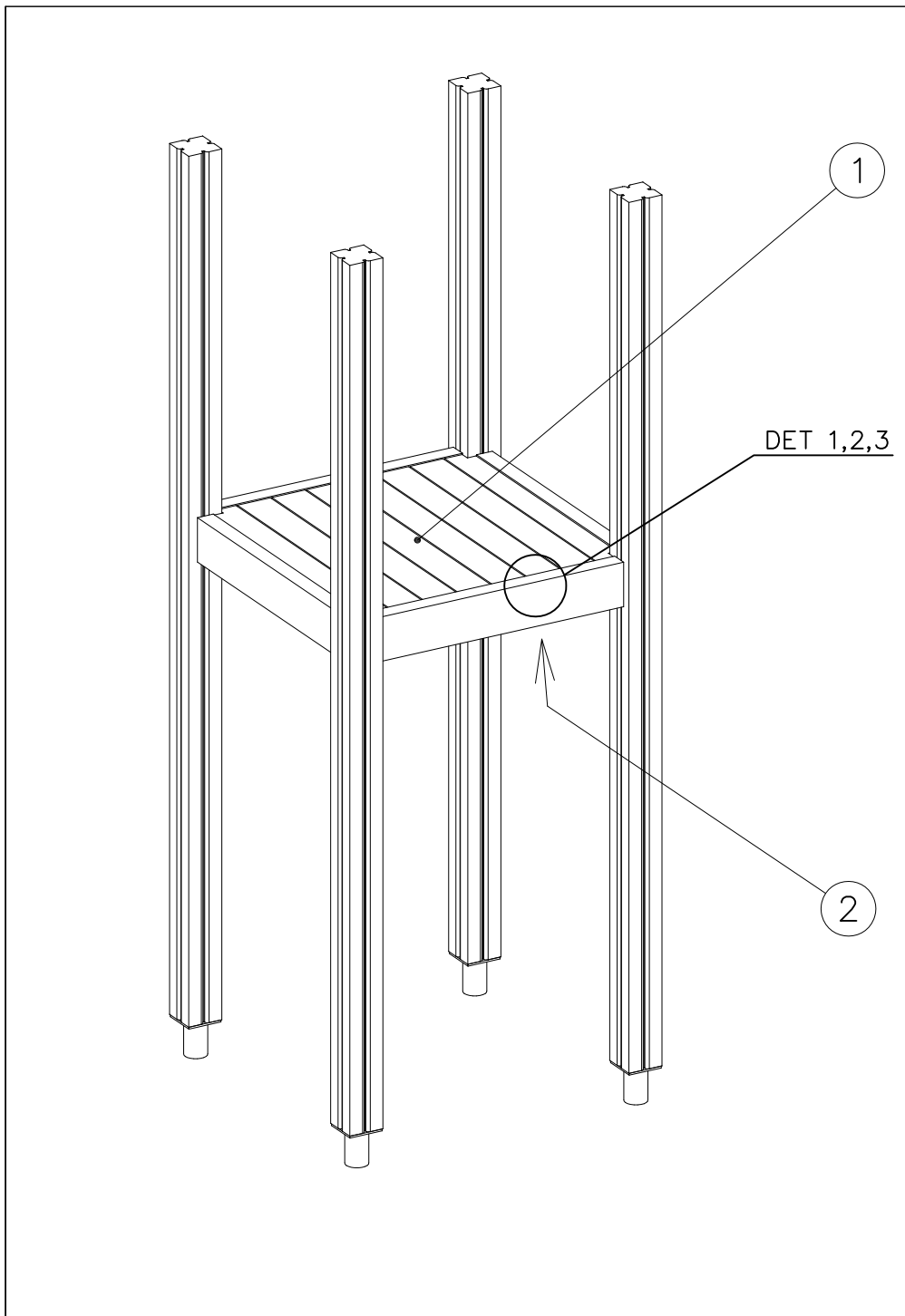
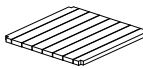
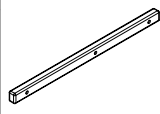
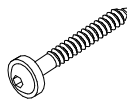



① 903176	PCS	② 909850	PCS
	4		4
		M8x25	
③ 909256	PCS	④ 909633	PCS
	8		4
Ø16/8.4x1.6		M8	
⑤ 980123	PCS		PCS
	4		
Ø7x60			
	PCS		PCS







① 008986	PCS	② 706443	PCS
	1		2
750x750		32x45x702	
③ 900240	PCS	④ 980101	PCS
	6		8
Ø8x70		Ø4.5x70	
	PCS		PCS
	PCS		PCS
	PCS		PCS

DET 1

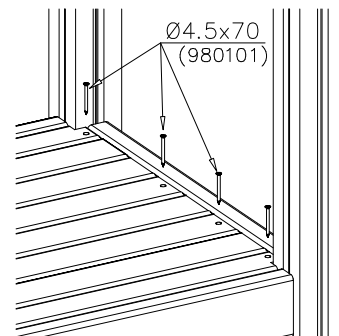


DET 2

Naulanauha kannatinlistan puolelle.
Nail list to the bottom.



DET 3







① 706510	PCS	② 907724	PCS
	1		2
45x120x1030			
③ 905083	PCS	④ 909866	PCS
	4		4
Ø32		M8x60	
⑤ 980151	PCS	⑥ 980150	PCS
	4		4
Ø16/8.4		M8	
⑦ 905112	PCS	⑧ 900240	PCS
	4		4
Ø22		Ø8x70	



BOOM OPTIONS		
706510	706510-602	DARK BROWN
	706510-603	LIGHT BROWN
	706510-604	LIGHT GRAY
45x120x1030		

DET 1



DET 2 M8x60
 (909866)



DET 3

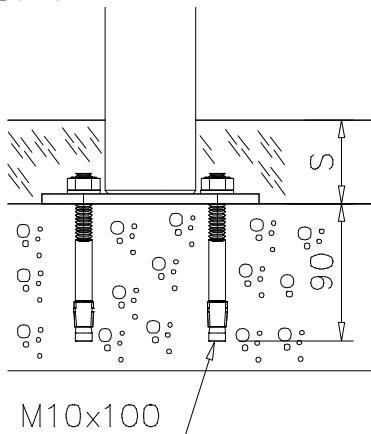




DET 1, 2, 3

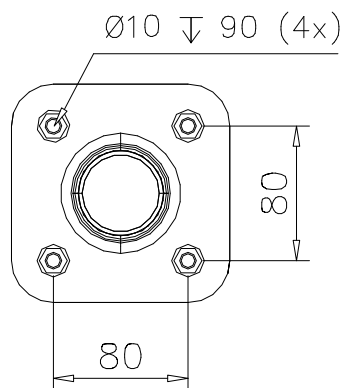
① 909531	PCS	① 909513	PCS
	1		1
		60°	
① 909514	PCS	① 902056	PCS
	1		1
		75°	57°
① 902062	PCS		PCS
	1		
		70°	
	PCS		PCS
	PCS		PCS
② 909628	PCS		PCS
	4		
M10x100			

DET 1

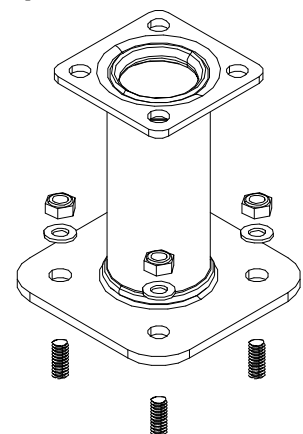


M10x100

DET 2



DET 3



LAPPSET®
BETON FOUNDATION

FOOT

DATE: 27.10.2015

1(1)

② 905104	PCS		PCS
	4		
 M10	PCS		PCS



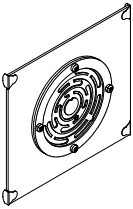
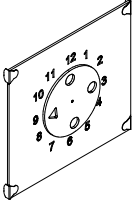
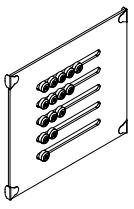
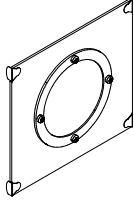
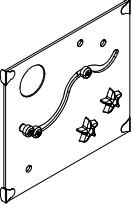
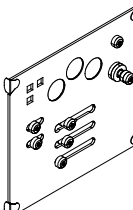
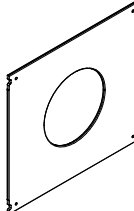
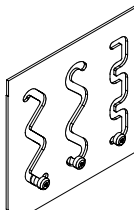
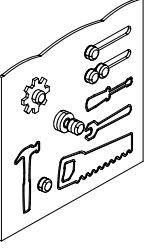
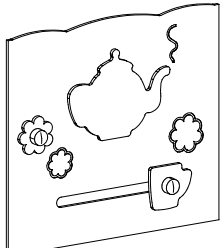
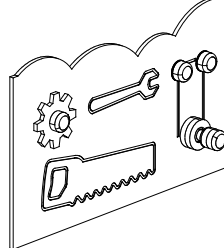
905104

① 903176	PCS	② 909850	PCS
	4		4
		M8x25	
③ 909256	PCS	④ 909633	PCS
	8		4
Ø16/8.4x1.6		M8	
⑤ 980123	PCS		PCS
	4		
Ø7x60			

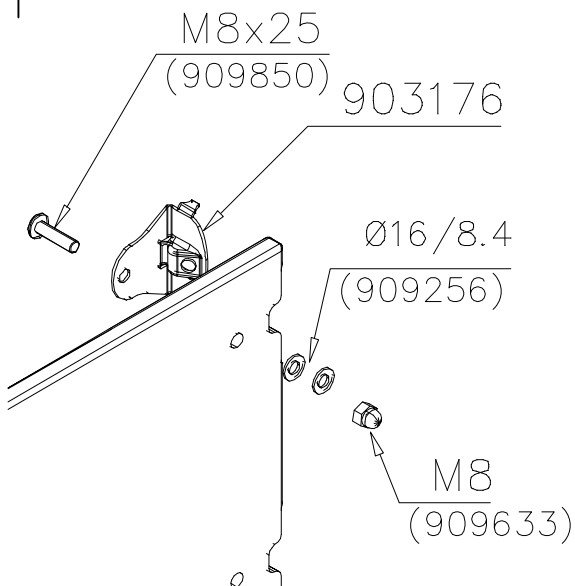
***Note:**
No gaps between:
8–25mm
89–230mm

COLOR OPTIONS	
-701	BLUE
-702	YELLOW
-703	LIME
-704	DARK GRAY
-705	LIGHT GRAY
-706	RED
-707	GREEN
-708	FUXIA

GAME WALL OPTIONS

706766	706772	706308	707453
			
640x702	640x702	640x702	640x702
707209	705705	707433	707386
			
640x702	640x702	640x702	640x702
709403	709358	709405	
			
640x702	640x702	420x702	

DET 1

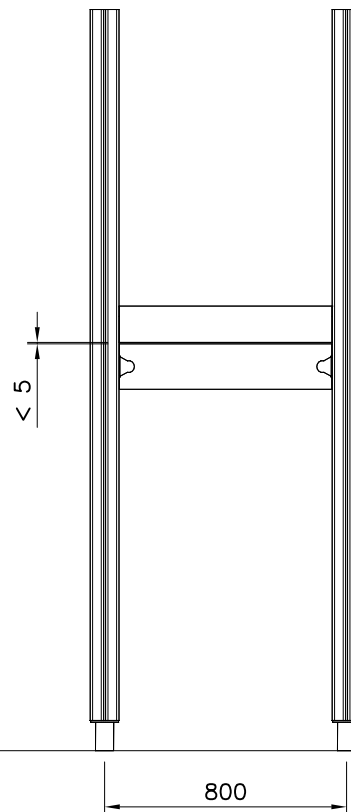
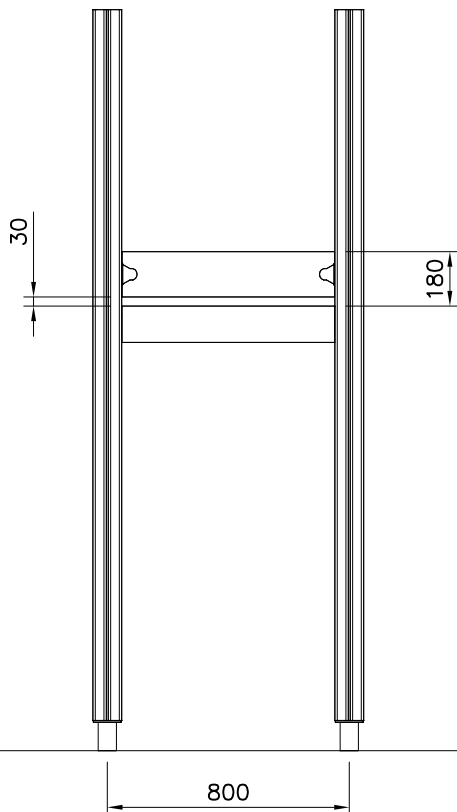


DET 2

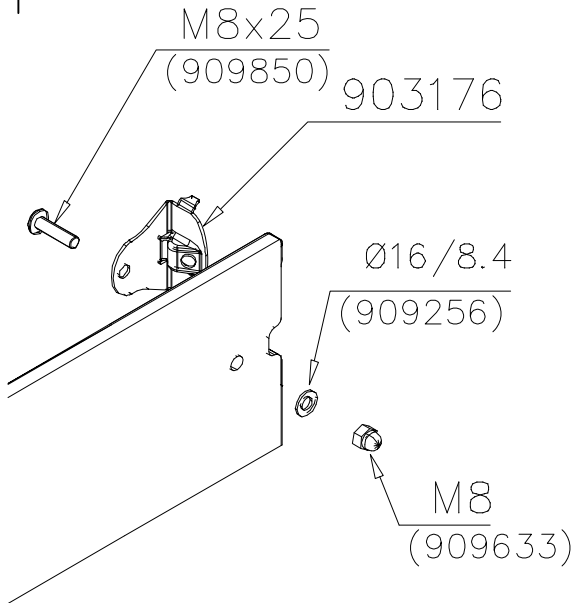


① 706896	PCS	② 903176	PCS
	1		2
15x150x703			
③ 909850	PCS	④ 909256	PCS
	2		2
M8x25		Ø16/8.4x1.6	
⑤ 909633	PCS	⑥ 980123	PCS
	2		2
M8		Ø7x60	
	PCS		PCS

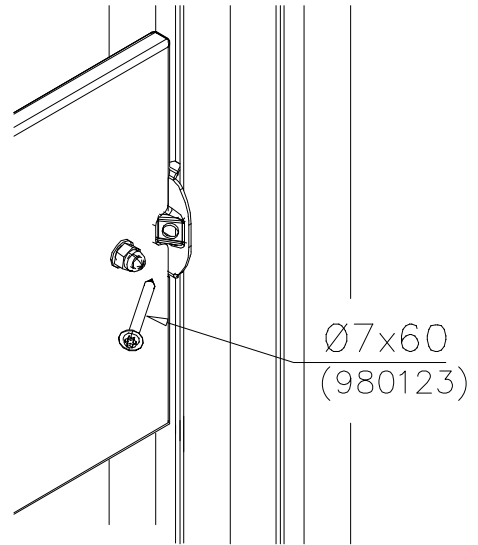
OR



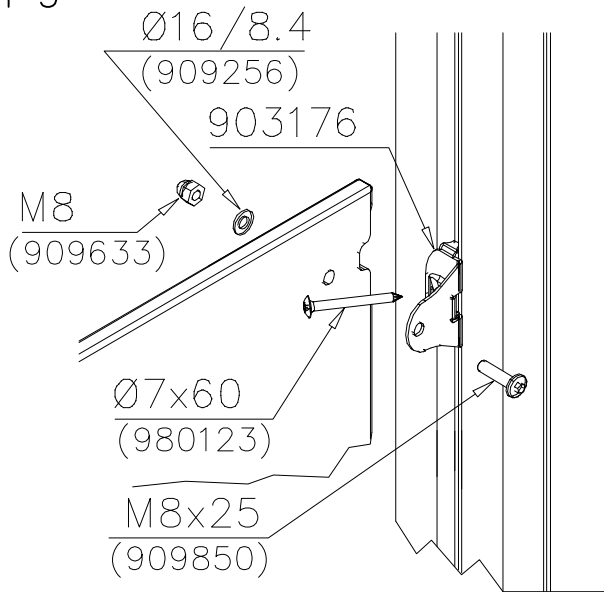
DET 1

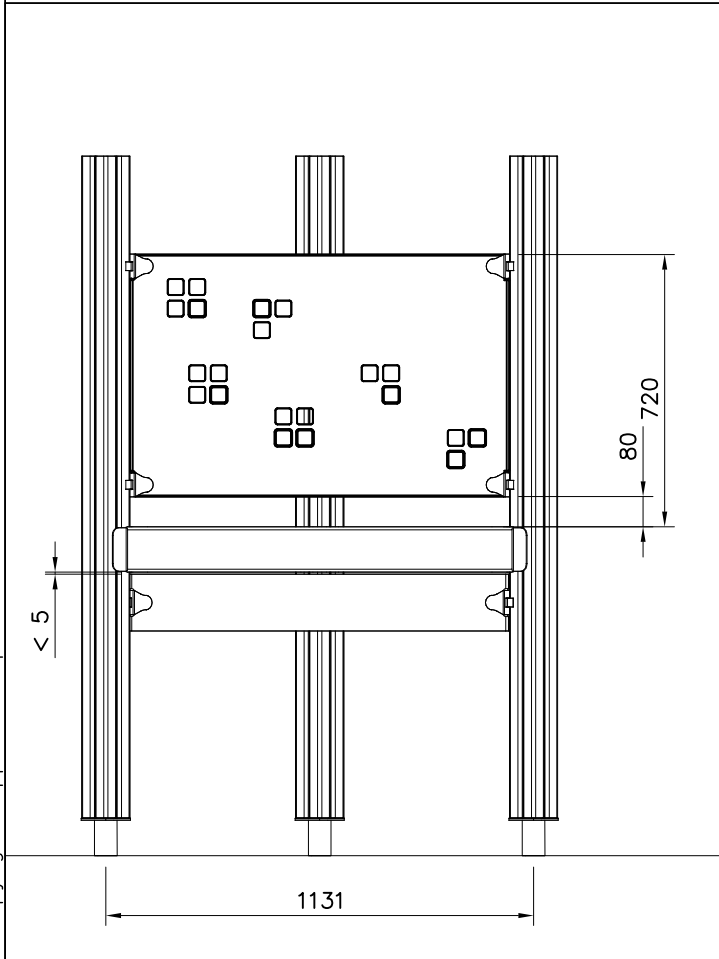
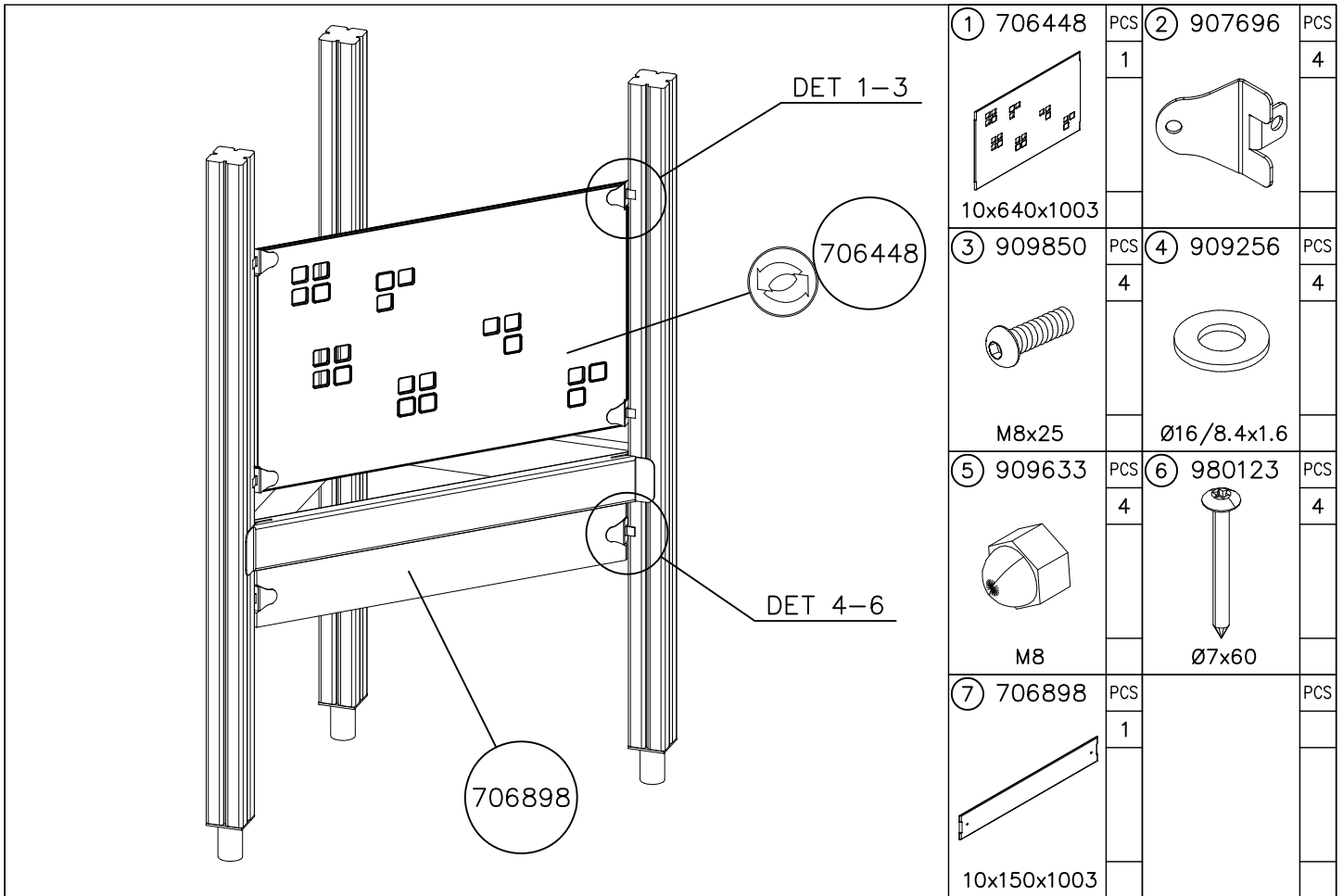


DET 2



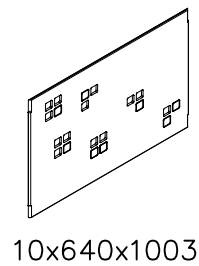
DET 3





WALL OPTIONS

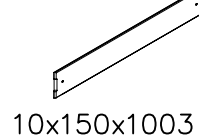
706448



706448-701	BLUE
706448-702	YELLOW
706448-703	LIME
706448-704	DARK GRAY
706448-705	LIGHT GRAY
706448-706	RED
706448-707	GREEN
706448-708	FUXIA

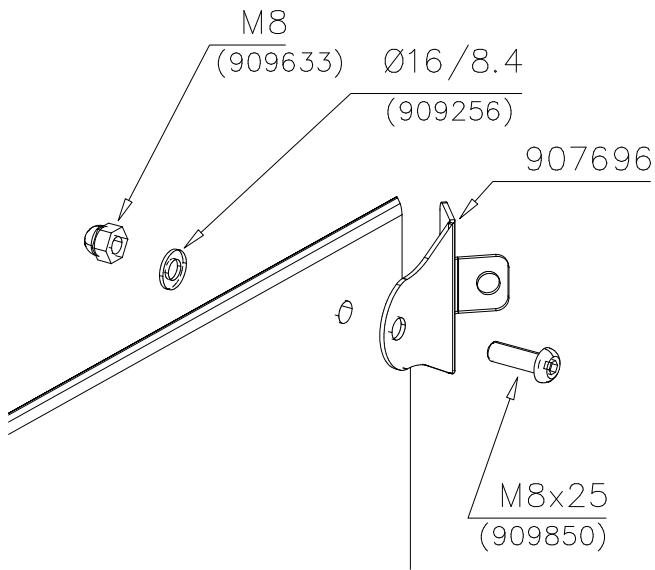
WALL OPTIONS

706898

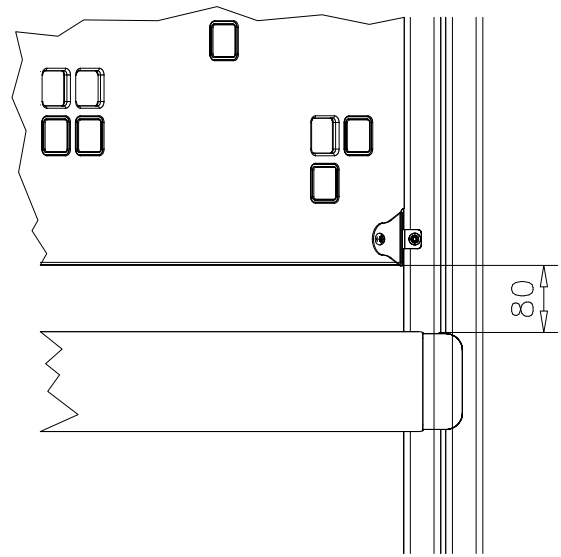


706898 DARK GRAY

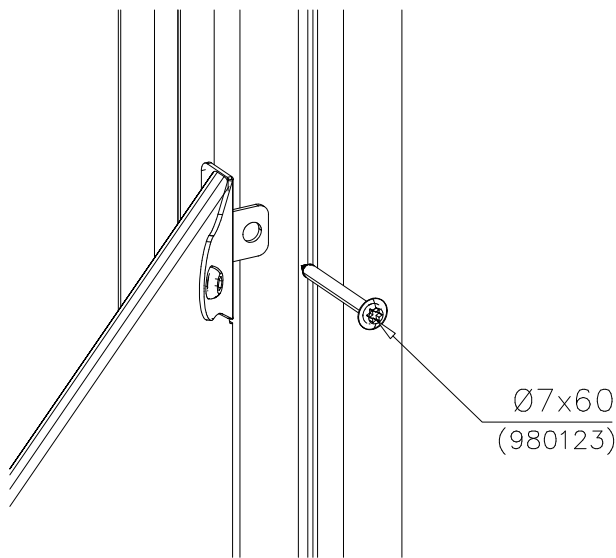
DET 1



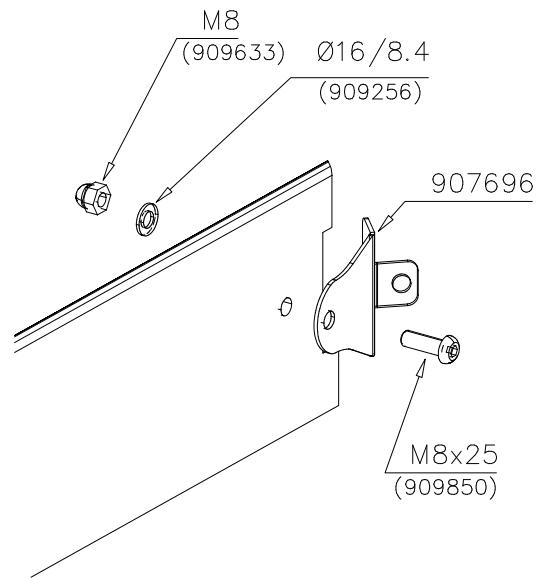
DET 2



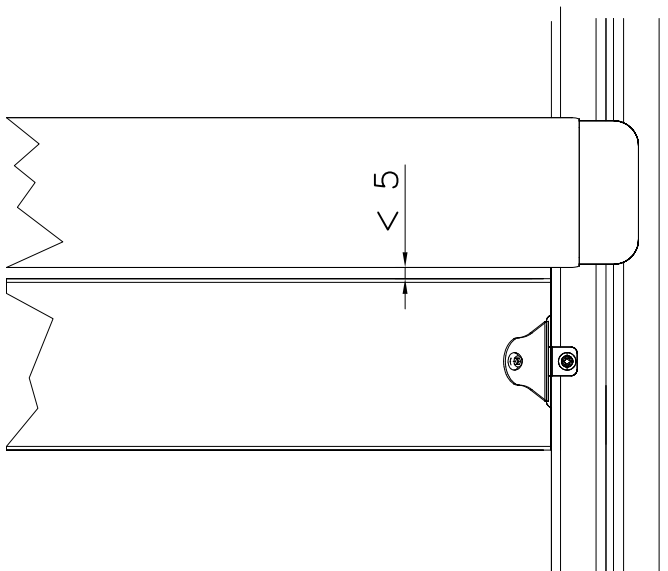
DET 3



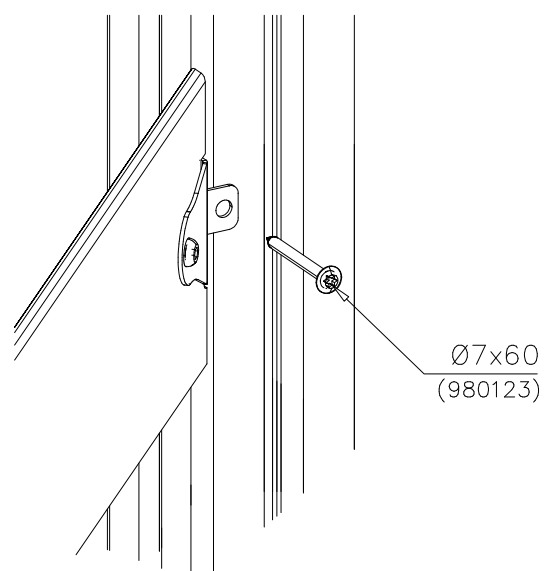
DET 4



DET 5

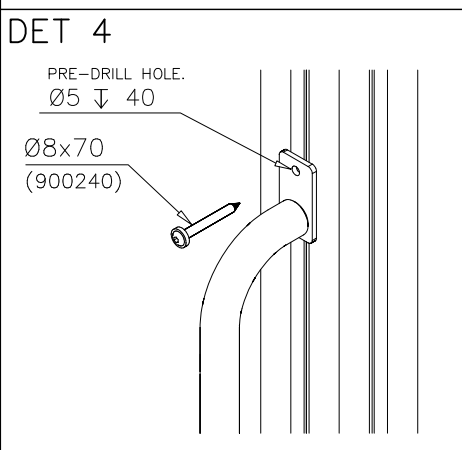
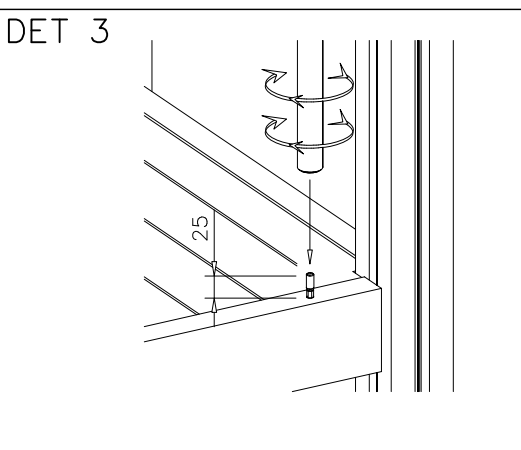
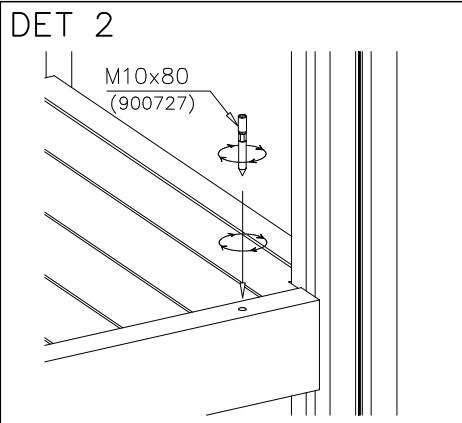
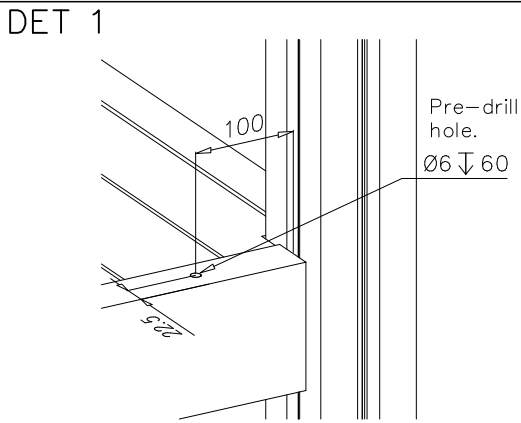


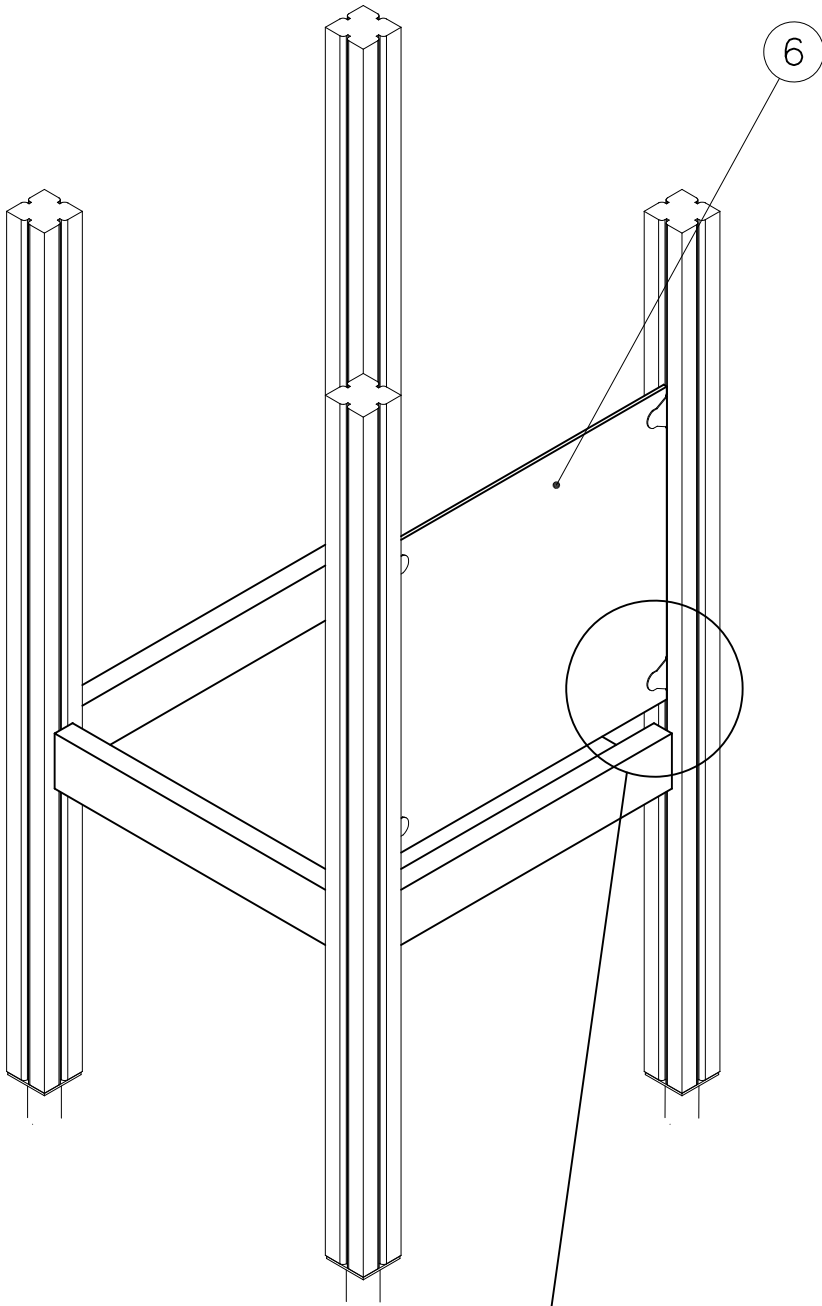
DET 6



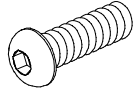
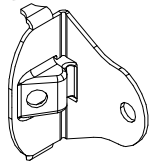
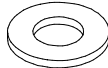

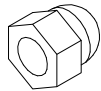
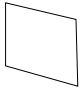


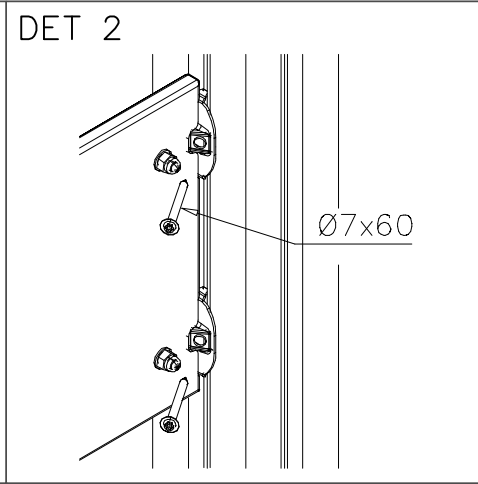
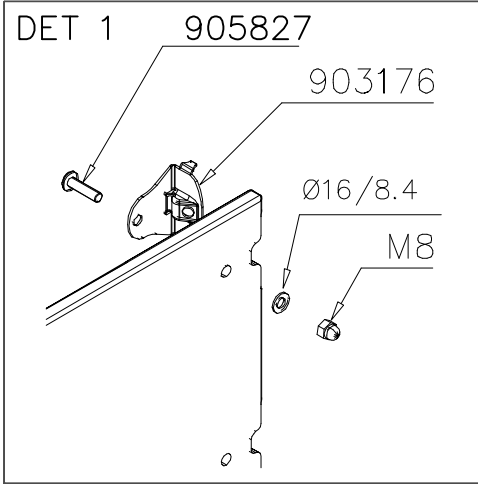
① 900240	PCS	② 900727	PCS
	1		1
Ø8x70		M10x80	
	PCS		PCS
③ 907688	PCS	③ 907701	PCS
	1		1
765		545	
	PCS		PCS
	PCS		PCS
	PCS		PCS
	PCS		PCS





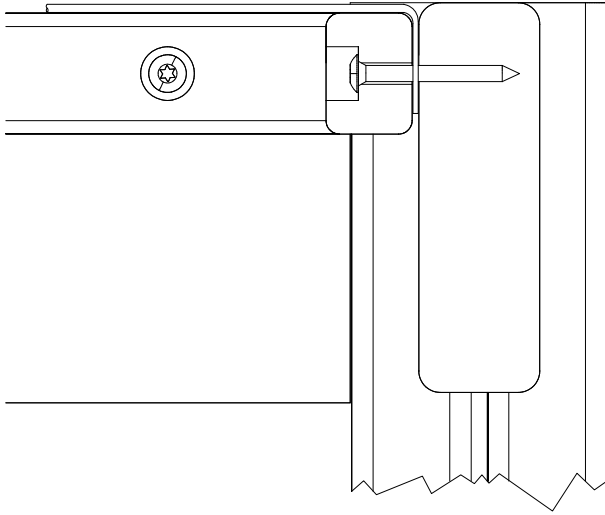
DET 1,2

① 905827	PCS	② 903176	PCS
	4		4
M8x20			
③ 909256	PCS	④ 980123	PCS
	4		4
Ø16/8.4		Ø7x60	
⑤ 909633	PCS	⑥ P05280	PCS
	4		1
M8		12x680x700	
	PCS		PCS
	PCS		PCS
	PCS		PCS
	PCS		PCS

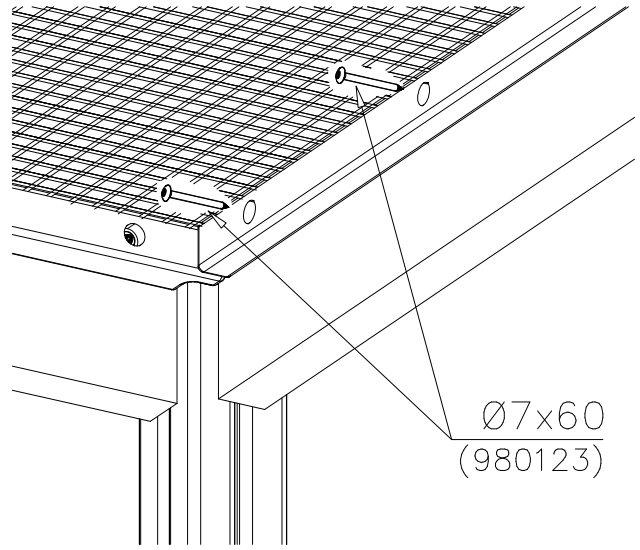


M80xM120	M120xM120	M80xM80	① P06698	PCS	② P06699	PCS
<p>EXAMPLES LAYOUT 0°</p>	<p>EXAMPLES LAYOUT 180°</p>	<p>705x1655</p>	1	<p>1155x1155 AC</p>	1	
		<p>705x935</p>	1	<p>1105x1655</p>	1	
		<p>455x705 AC</p>	1	<p>705x1655 AC</p>	1	
		<p>1105x1655 AC</p>	1	<p>705x935 AC</p>	1	
		<p>755x755 AC</p>	1	<p>755x1155 AC</p>	1	
		<p>1105x935</p>	1	<p>1105x935 AC</p>	1	
		<p>455x1105 AC</p>	1			

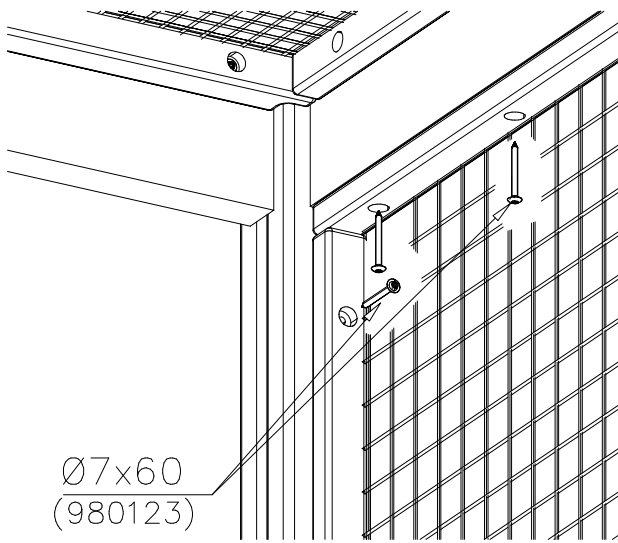
DET 1

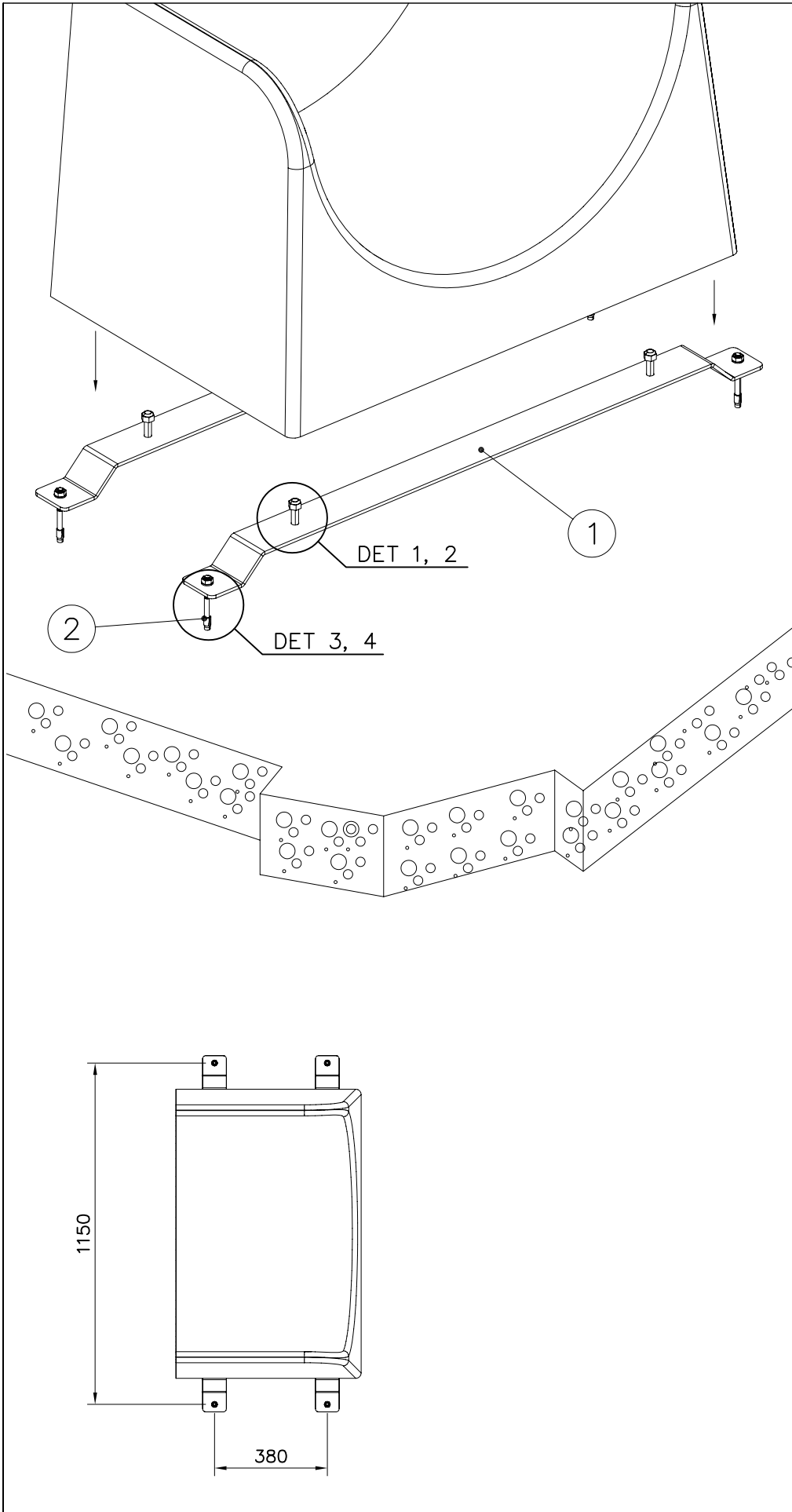


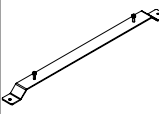

DET 2

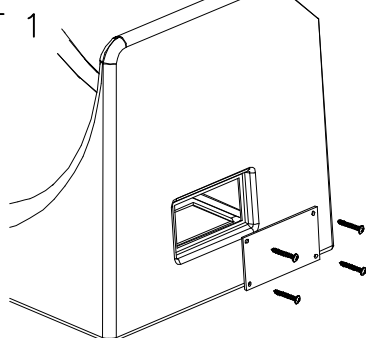
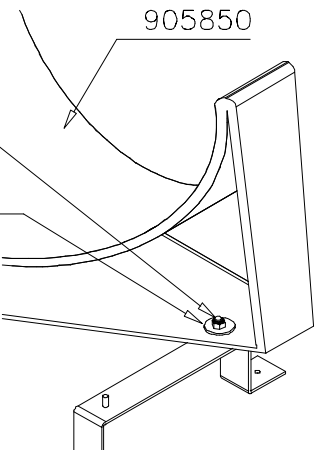
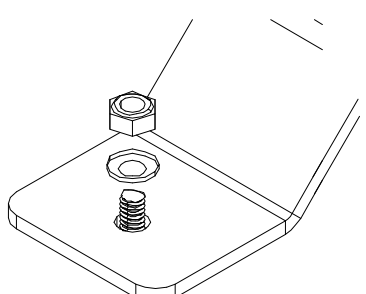
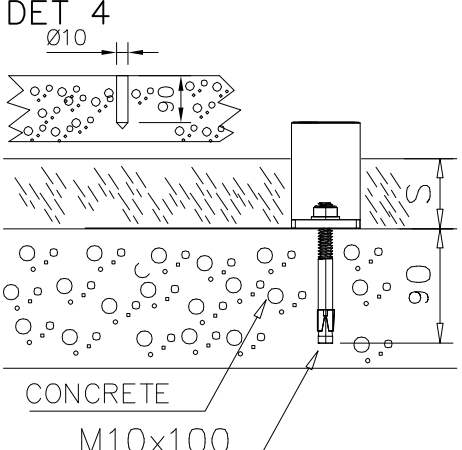


DET 3





① 905858	PCS	② 909628	PCS
	2		4
1200x80x90		M10x100	
	PCS		PCS
	PCS		PCS
	PCS		PCS
	PCS		PCS
	PCS		PCS
	PCS		PCS

<p>DET 1</p>  <p>Access- and maintenance panel. Asennus- ja huolto luukku.</p>	<p>DET 2</p>  <p>905850</p> <p>M12</p> <p>Ø44/13.5</p>	<p>DET 3</p> 
<p>DET 4</p>  <p>Ø10</p> <p>90</p> <p>CONCRETE</p> <p>M10x100</p>		