

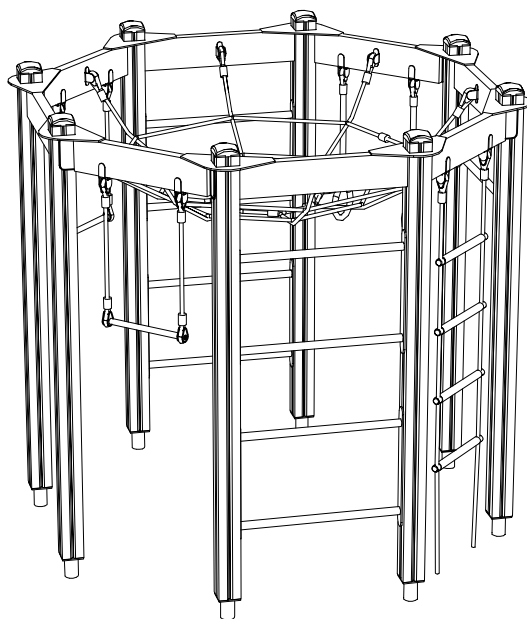
LAPPSET®

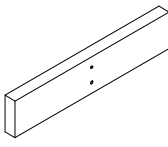

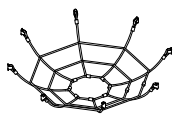
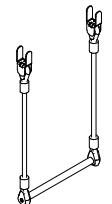
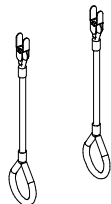


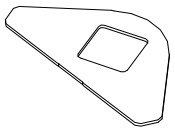
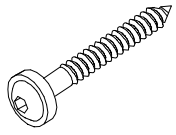





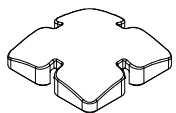
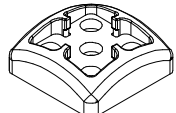
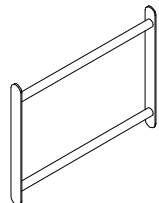
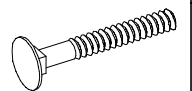
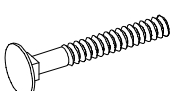
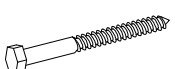
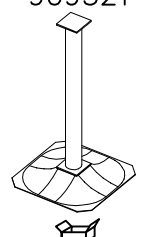

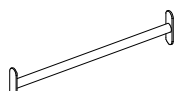
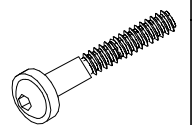



FOREST

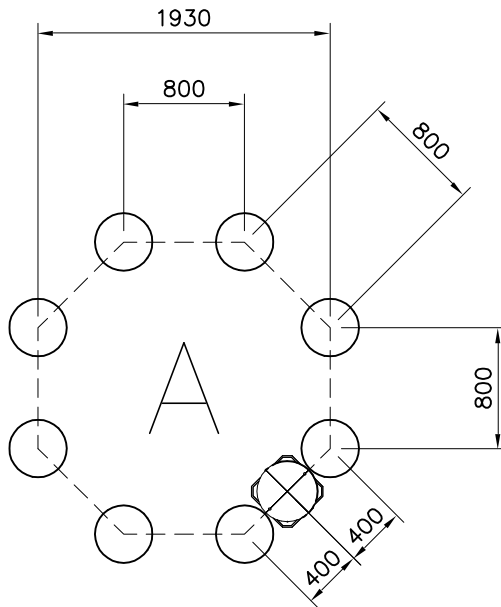
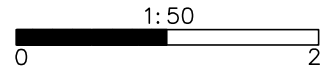
ASENNUSOHJE
MONTERINGSANSVISNING
INSTALLATION INSTRUCTION
AUFBAUANLEITUNG
NOTICE D'INSTALLATION

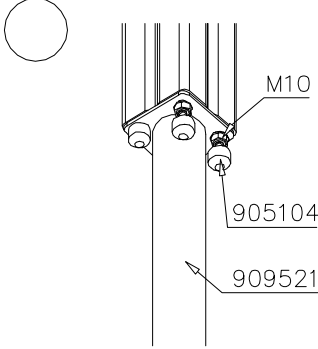
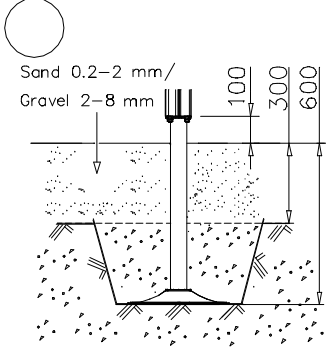
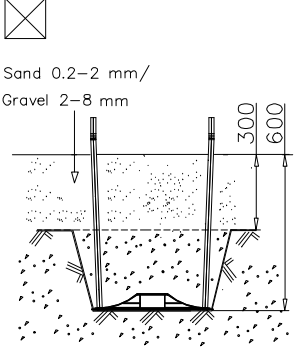
REF: 138401
DATE: 1.4.2005

138401

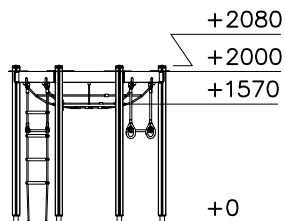
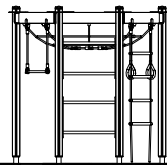
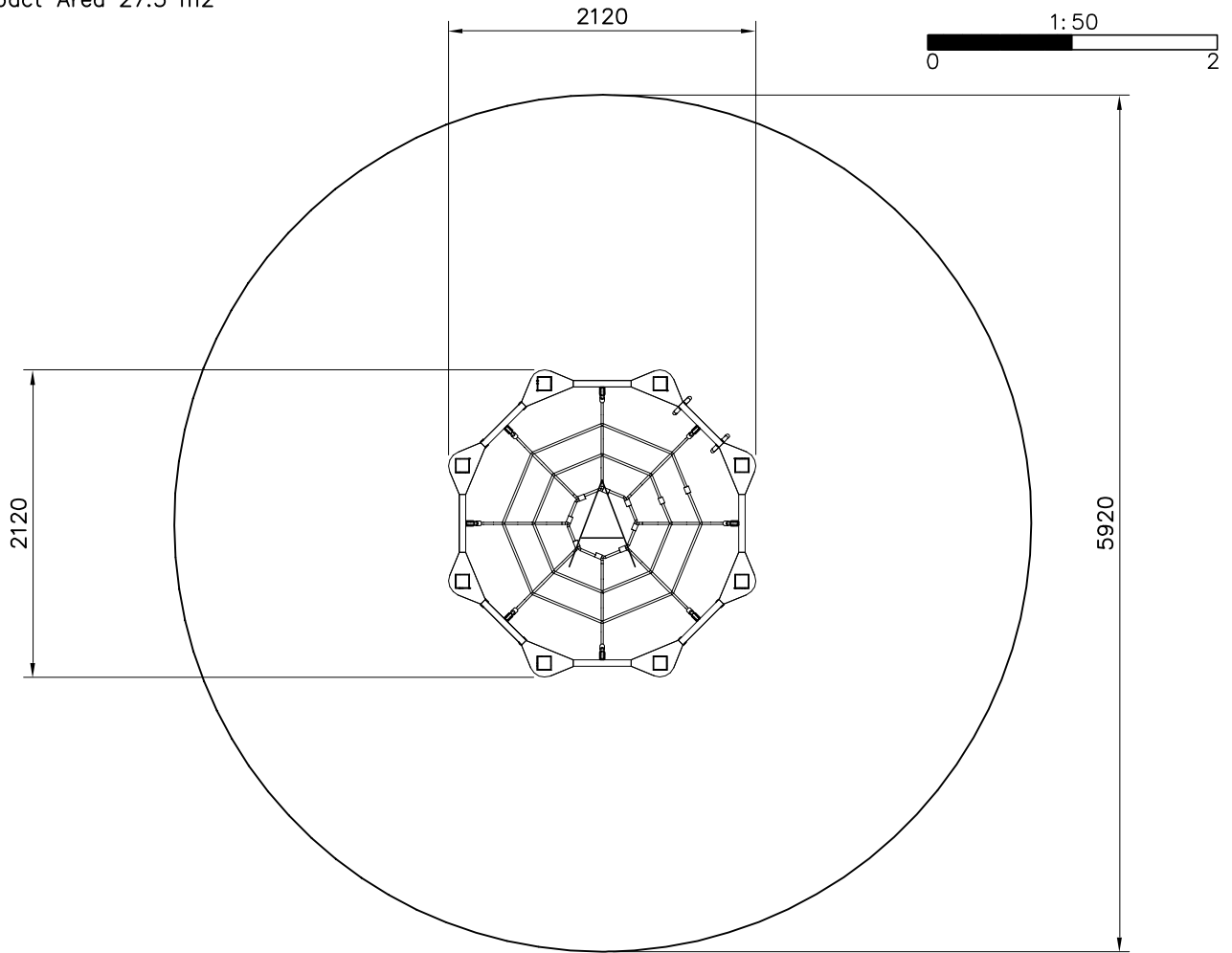


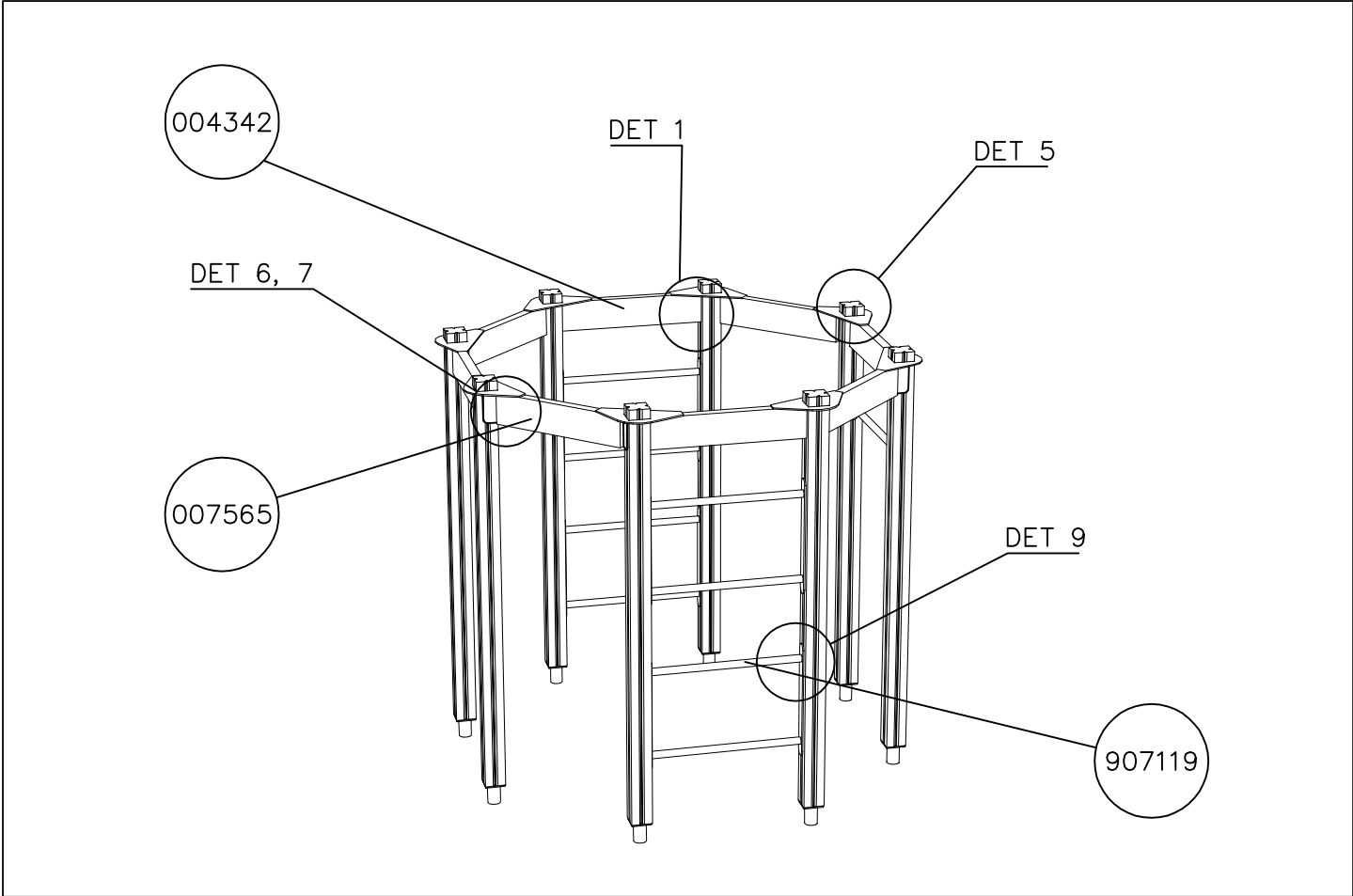
004342  L 1950	PCS 4	006819  L 1950	PCS 8	007557 	PCS 1	007560 	PCS 2	007561 	PCS 1	007562 	PCS 1
007565 	PCS 4	007570 	PCS 8	900240  8x70	PCS 68	905051  Ø24/8.4	PCS 16	905083  Ø32	PCS 40	905104  M10	PCS 32
905112  Ø22	PCS 40	905120  Ø14	PCS 16	905137  YELLOW	PCS 8	905195  YELLOW	PCS 8	907119  L 704	PCS 4	909091  8x65	PCS 8
909119  8x60	PCS 16	909238  8x90	PCS 16	909521  YELLOW	PCS 8	909524 	PCS 8	909543  L 704	PCS 1	909866  8x60	PCS 16
980131  6x60	PCS 32	980150  M8	PCS 40	980151  Ø16/8.4	PCS 40		PCS		PCS		PCS
	PCS		PCS		PCS		PCS		PCS		PCS
	PCS		PCS		PCS		PCS		PCS		PCS



 <p>M10 905104 909521</p>	 <p>Sand 0.2-2 mm / Gravel 2-8 mm</p> <p>100 300 600</p>	 <p>Sand 0.2-2 mm / Gravel 2-8 mm</p> <p>300 600</p>

EN Impact Area 27.5 m²





<p>DET 1</p>	<p>DET 2</p>	<p>DET 3</p>	<p>DET 4</p>
<p>DET 5</p>	<p>DET 6</p>	<p>DET 7</p>	<p>DET 8</p>
<p>DET 9</p>	<p>DET 10</p>		

