

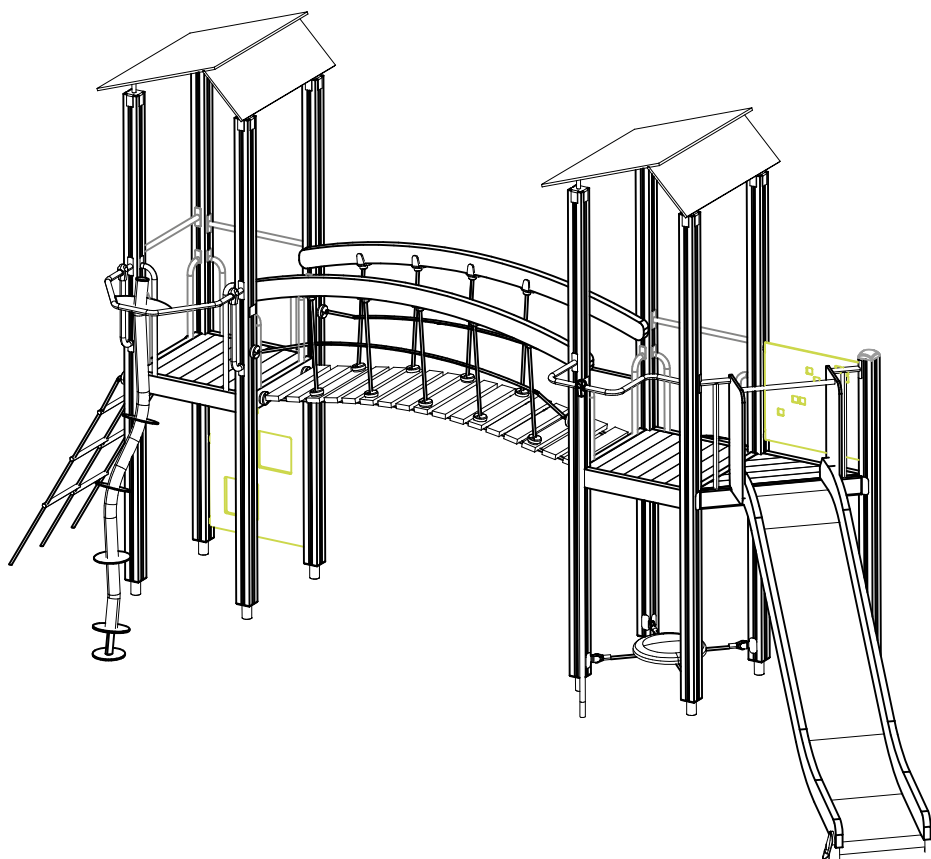
LAPPSET®

FINNO


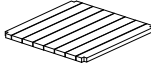
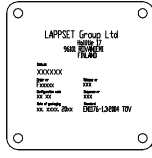
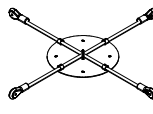

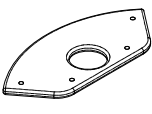
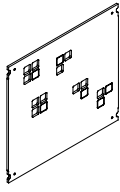
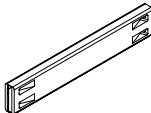
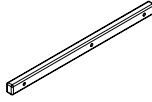

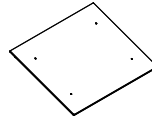
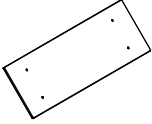
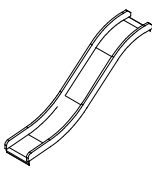
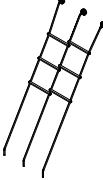
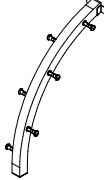

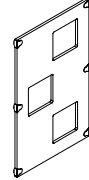
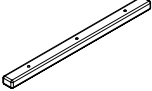
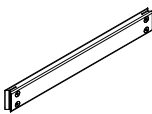
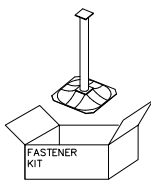
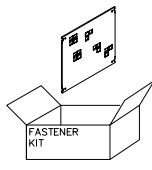
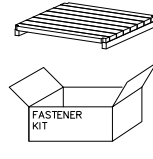
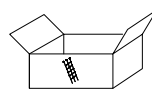
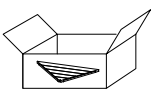
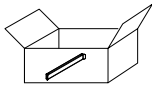
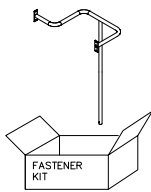
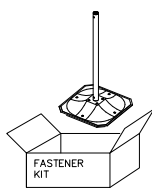
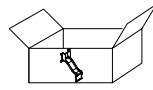
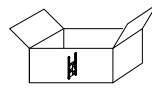
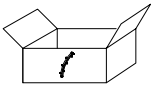
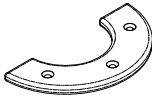
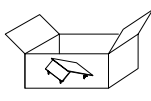
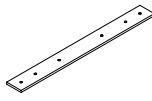
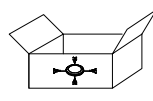

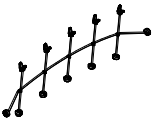
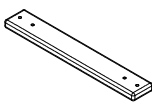

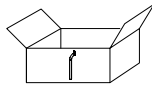
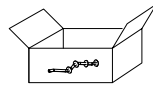
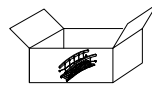
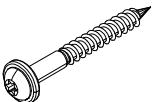
ASENNUSOHJE
MONTERINGSANSVISNING
INSTALLATION INSTRUCTION
AUFBAUANLEITUNG
NOTICE D'INSTALLATION

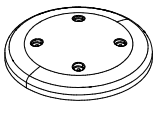
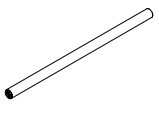



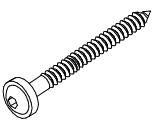
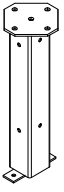
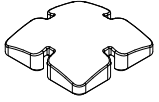
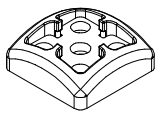
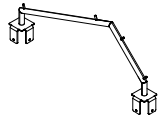


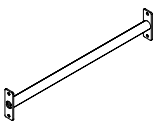
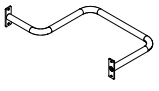


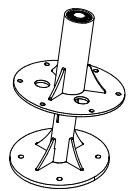
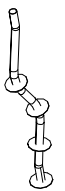
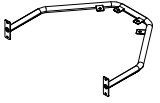


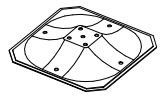
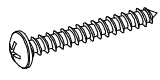
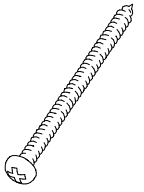
DATE: 3.4.2020

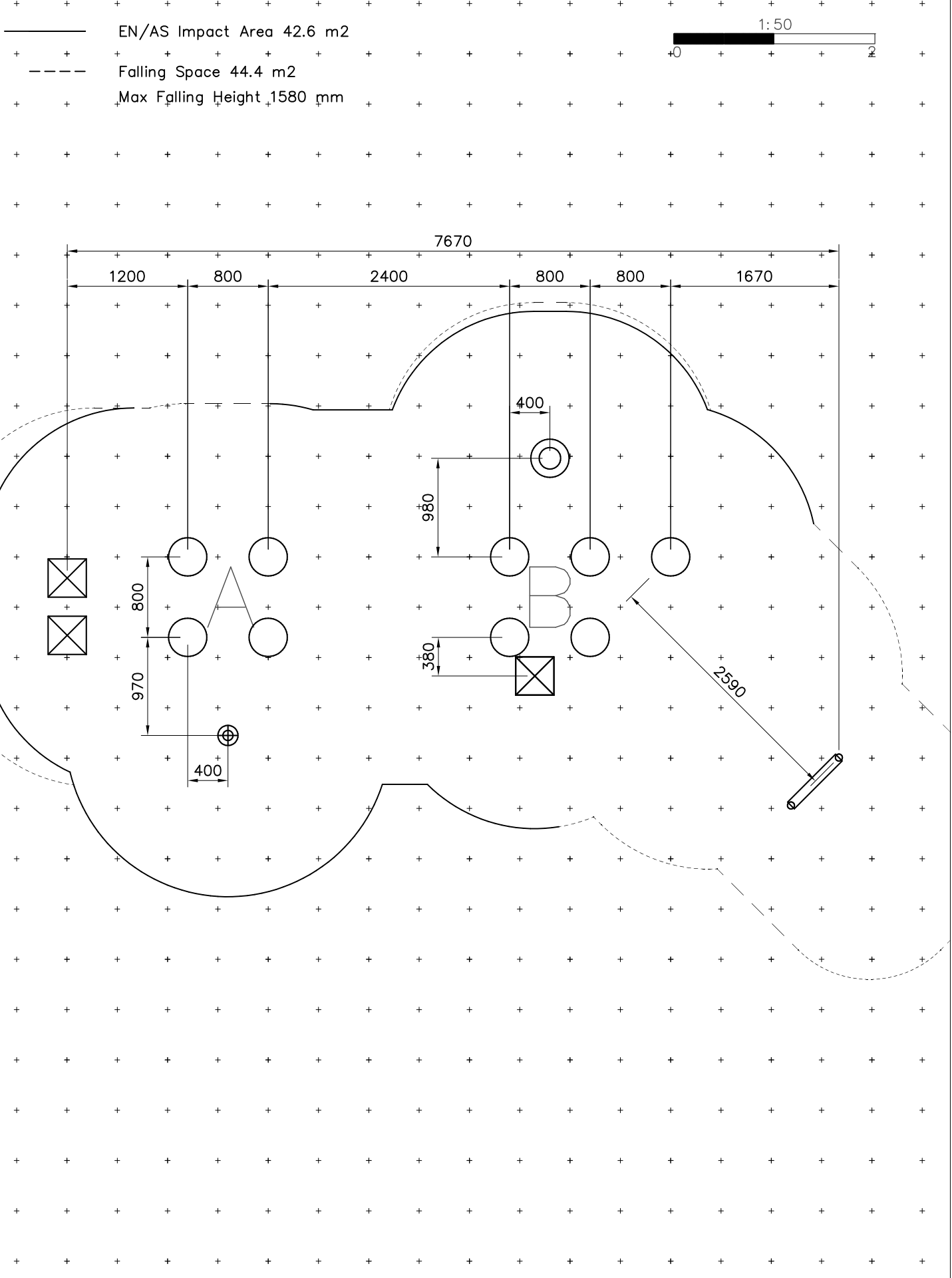
Q13817



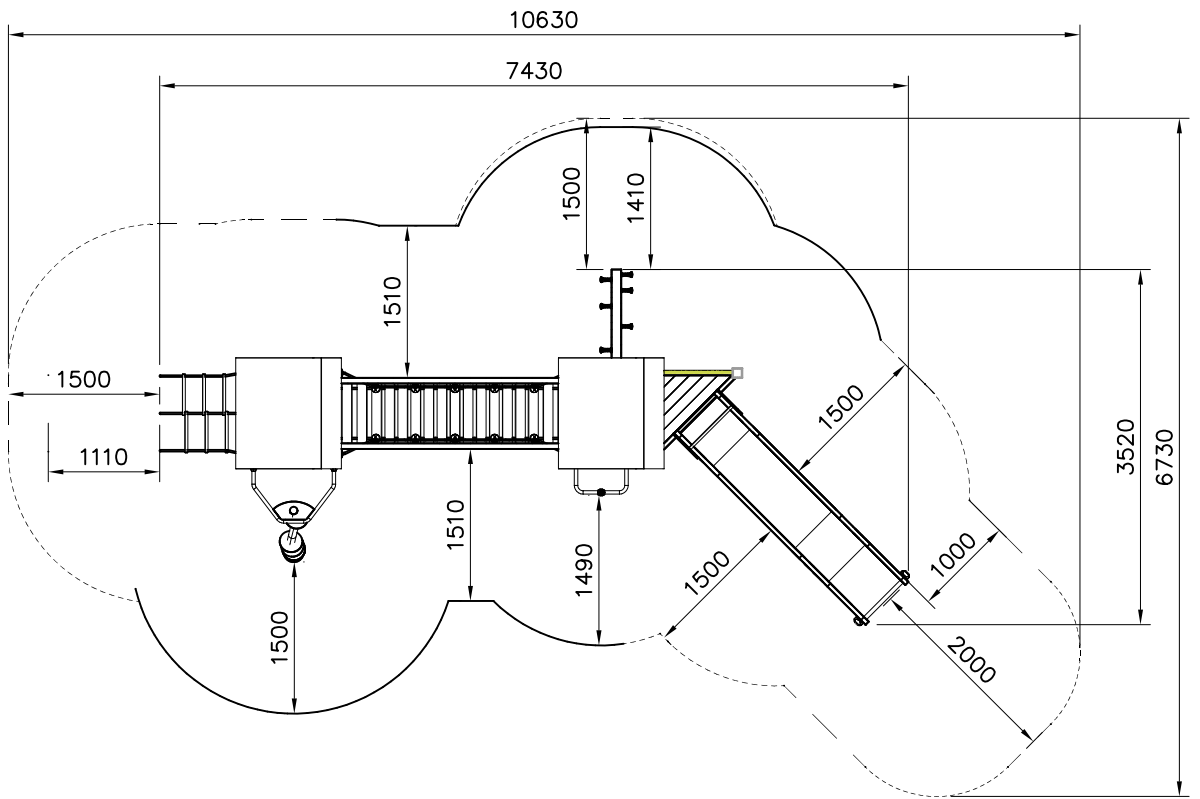
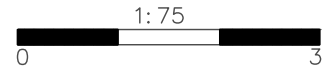
DATE: 3.4.2020

008985  32x714x714	PCS 1	008986  750x750	PCS 2	702286  65x65	PCS 2	706059-305  L 926	PCS 1	706371-703  15x345x750	PCS 2	706433  15x180x405	PCS 1
706436-703  10x640x702	PCS 1	706439-602  L 704	PCS 9	706443  32x45x702	PCS 4	706444-602  93x93x3200	PCS 8	706446  15x900x1100	PCS 2	706447  15x390x1100	PCS 2
706450-602  600x381x2685	PCS 1	706462-305  1387x1020x325	PCS 1	706475-602  93x93x2150	PCS 1	706484-602  93x93x2150	PCS 1	706507-703  32x45x650	PCS 1	706508  32x45x650	PCS 3
706510-602  45x120x1030	PCS 1	706531  FASTENER KIT	PCS 10	706534  FASTENER KIT	PCS 1	706535  FASTENER KIT	PCS 2	706536  FASTENER KIT	PCS 1	706537  FASTENER KIT	PCS 1
706538  FASTENER KIT	PCS 1	706541  FASTENER KIT	PCS 1	706542  FASTENER KIT	PCS 1	706547  FASTENER KIT	PCS 1	706558  FASTENER KIT	PCS 1	706607  FASTENER KIT	PCS 1
706706  15x129x260	PCS 8	706959  FASTENER KIT	PCS 2	707133  10x80x745	PCS 1	707373  FASTENER KIT	PCS 1	707584-611  55x120x2480	PCS 2	707604-305  685x2394	PCS 2
707607  32x95x612	PCS 17	707608-305  Ø16x2374	PCS 2	707732  FASTENER KIT	PCS 10	707854  FASTENER KIT	PCS 1	707876  FASTENER KIT	PCS 1	900240  Ø8x70	PCS 12

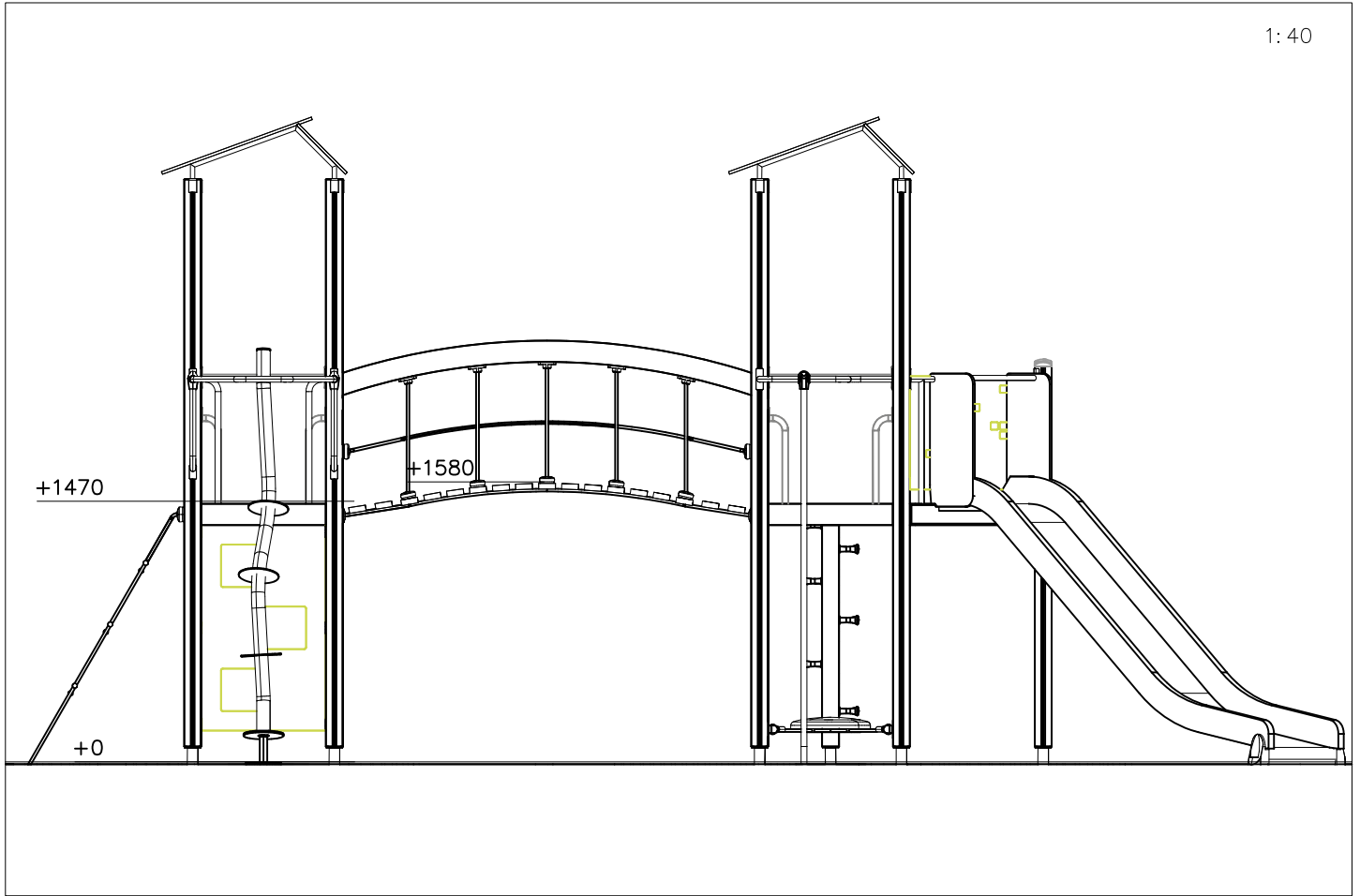
900733  Ø450x83	PCS 1	901868  Ø34x598	PCS 3	901879 	PCS 2	901902  30.7x60.9x100	PCS 2	901916  L 650	PCS 1	903093  Ø8x90	PCS 36
903107  Ø200x597	PCS 1	905138  GRAY	PCS 1	905196  GRAY	PCS 1	907667-216  4	PCS 4	907688-216  40x765x114	PCS 2	907692-216 	PCS 2
907694-216  L 704	PCS 3	907695-216  1	PCS 1	907698-216  L 2054	PCS 1	907701-216  10	PCS 10	907765  1	PCS 1	908237-216  400x226x2203	PCS 1
908240-216  837x642x120	PCS 1	908242-216  114x40x545	PCS 2	909511  90x90x650	PCS 10	909519  50x380x380	PCS 13	980114  Ø4x20	PCS 8	980131  Ø6x60	PCS 4
	PCS		PCS		PCS		PCS		PCS		PCS
	PCS		PCS		PCS		PCS		PCS		PCS
	PCS		PCS		PCS		PCS		PCS		PCS



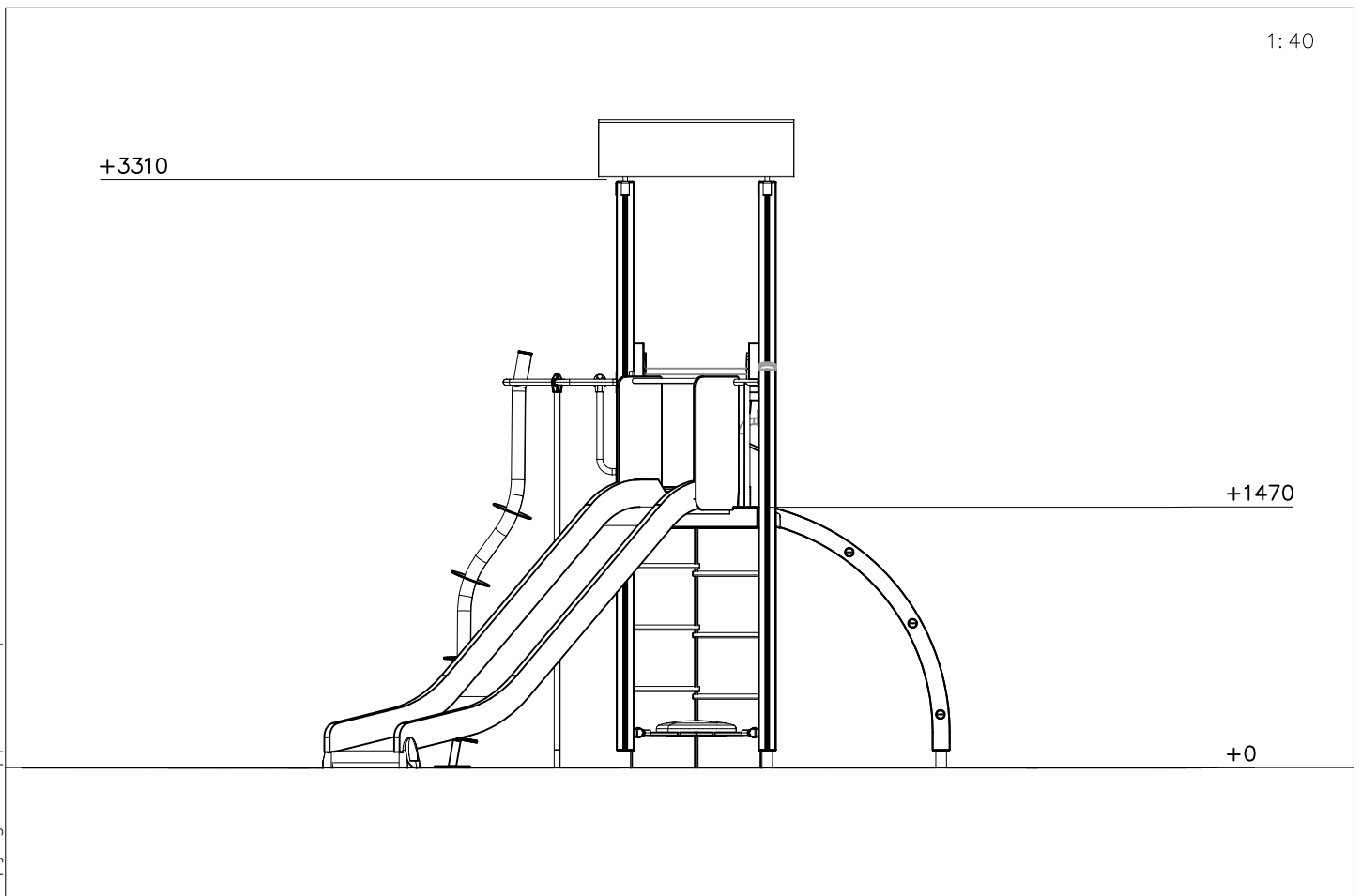
- EN/AS Impact Area 42.6 m²
- - - Falling Space 44.4 m²
Max Falling Height 1580 mm



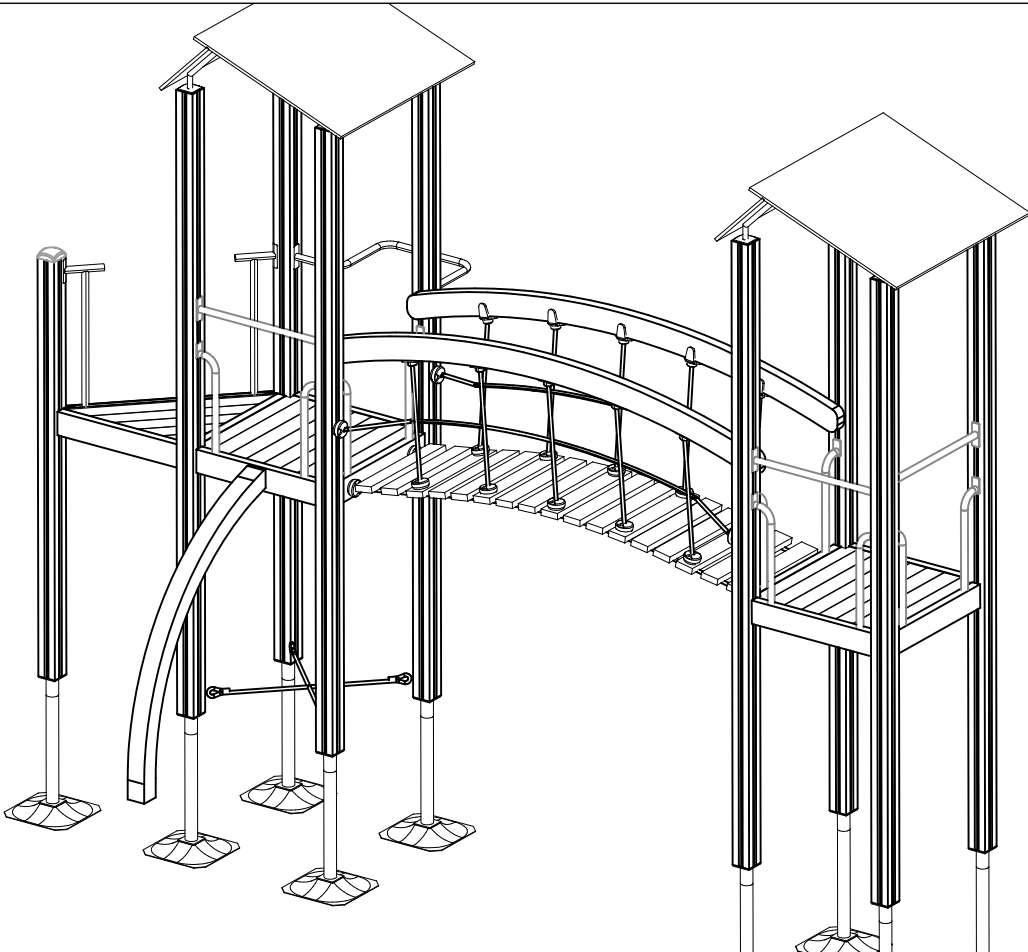
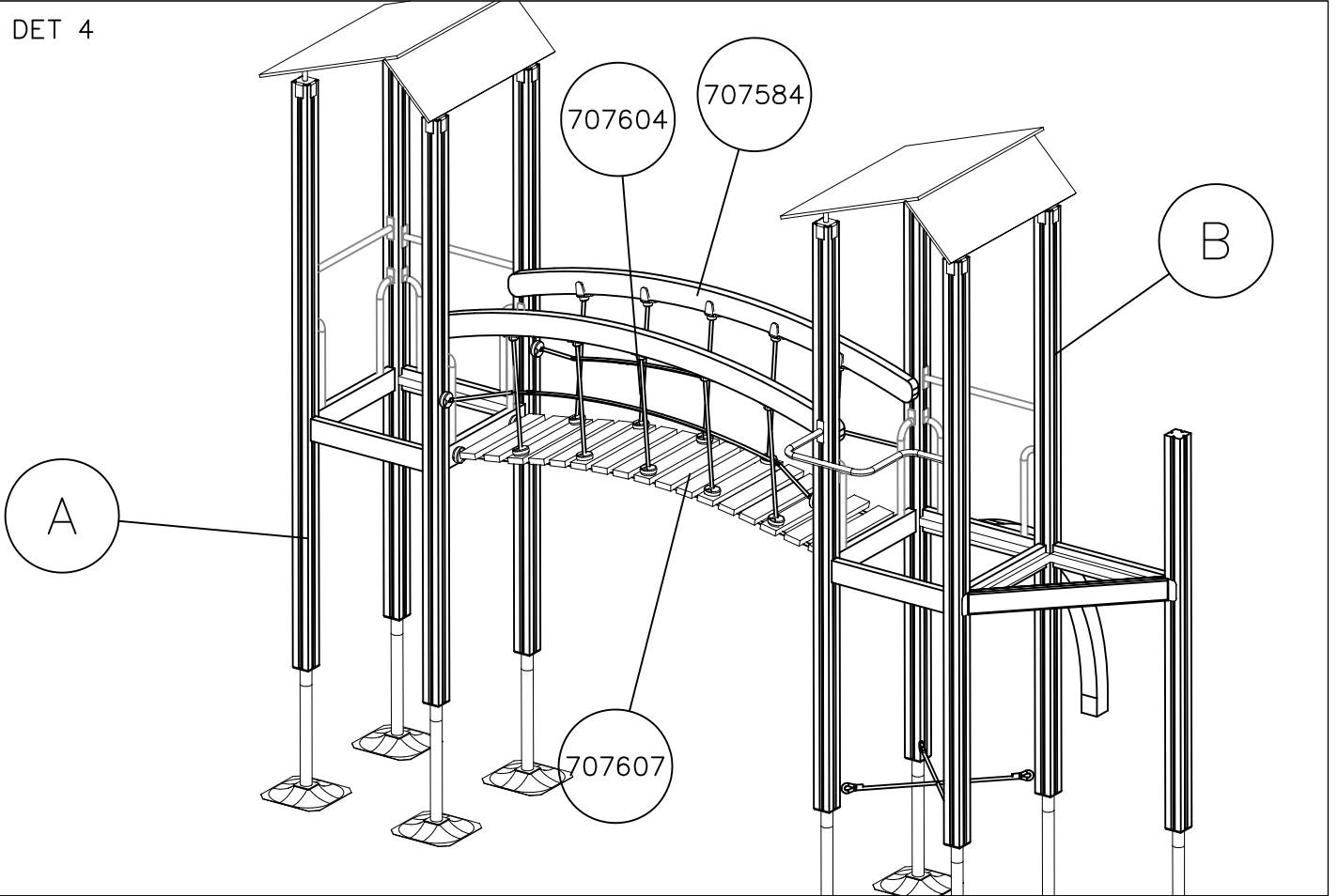
1: 40

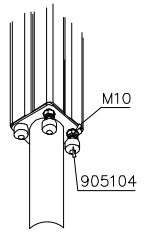
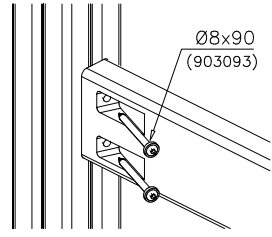
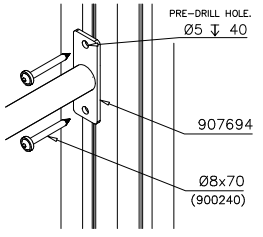


1: 40

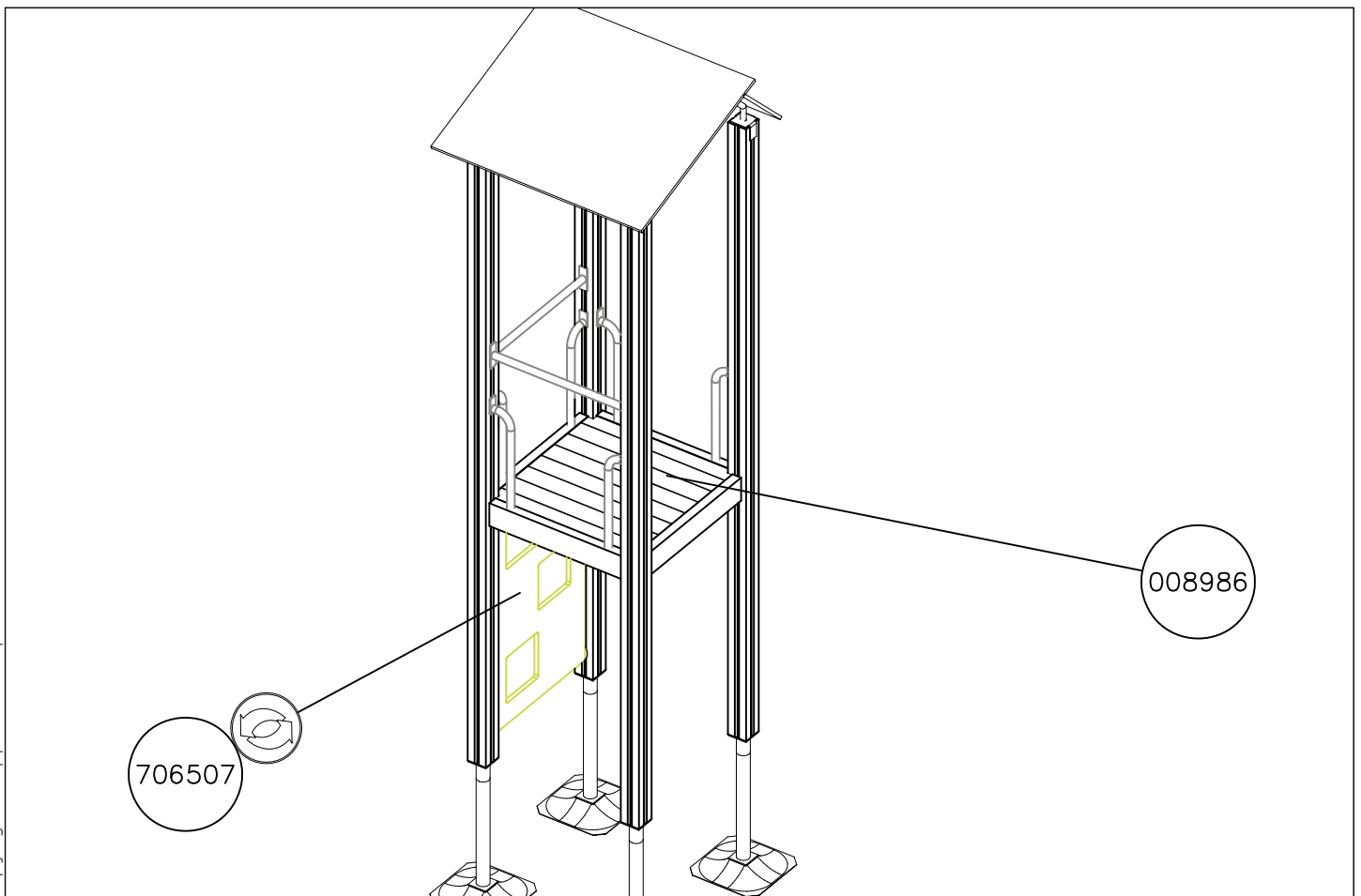
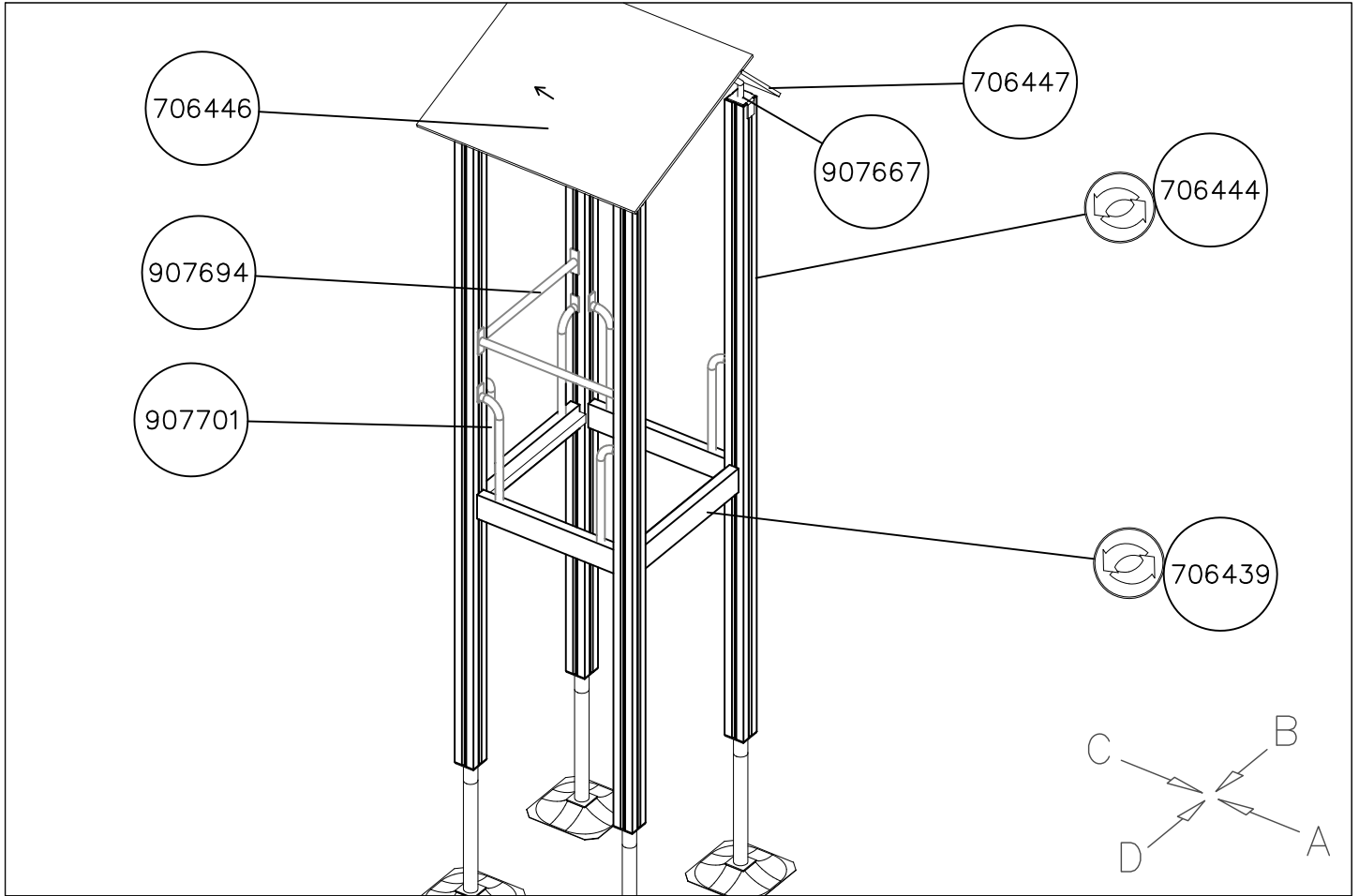


DET 4



<p>DET 1</p> 		<p>DET 3</p> 	<p>DET 4</p> 
<p>DET 5</p>	<p>DET 6</p>	<p>DET 7</p>	<p>DET 8</p>

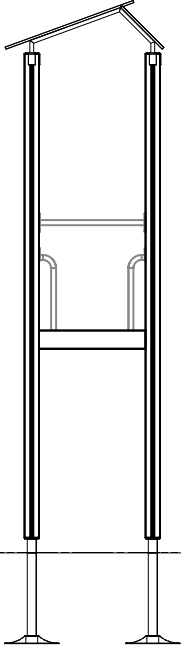
DATE: 3.4.2020



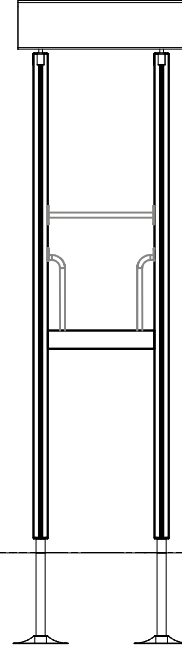
DATE: 3.4.2020

1:50

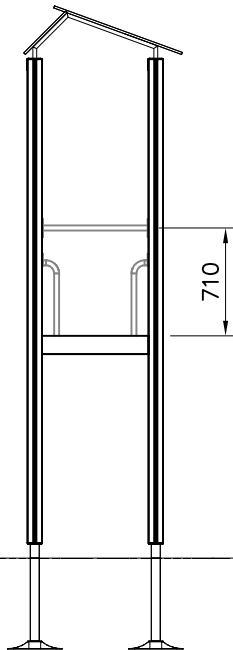
A



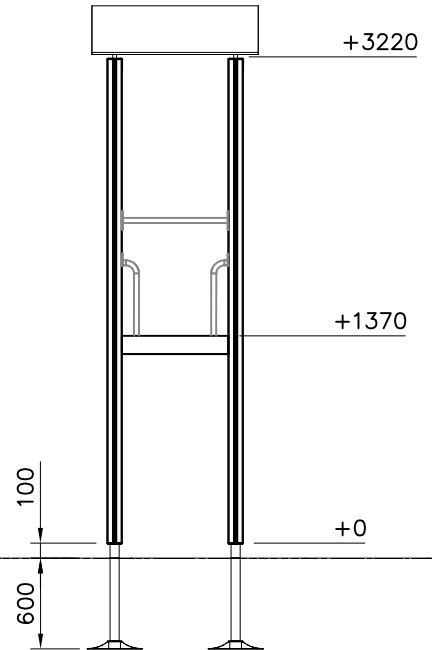
B



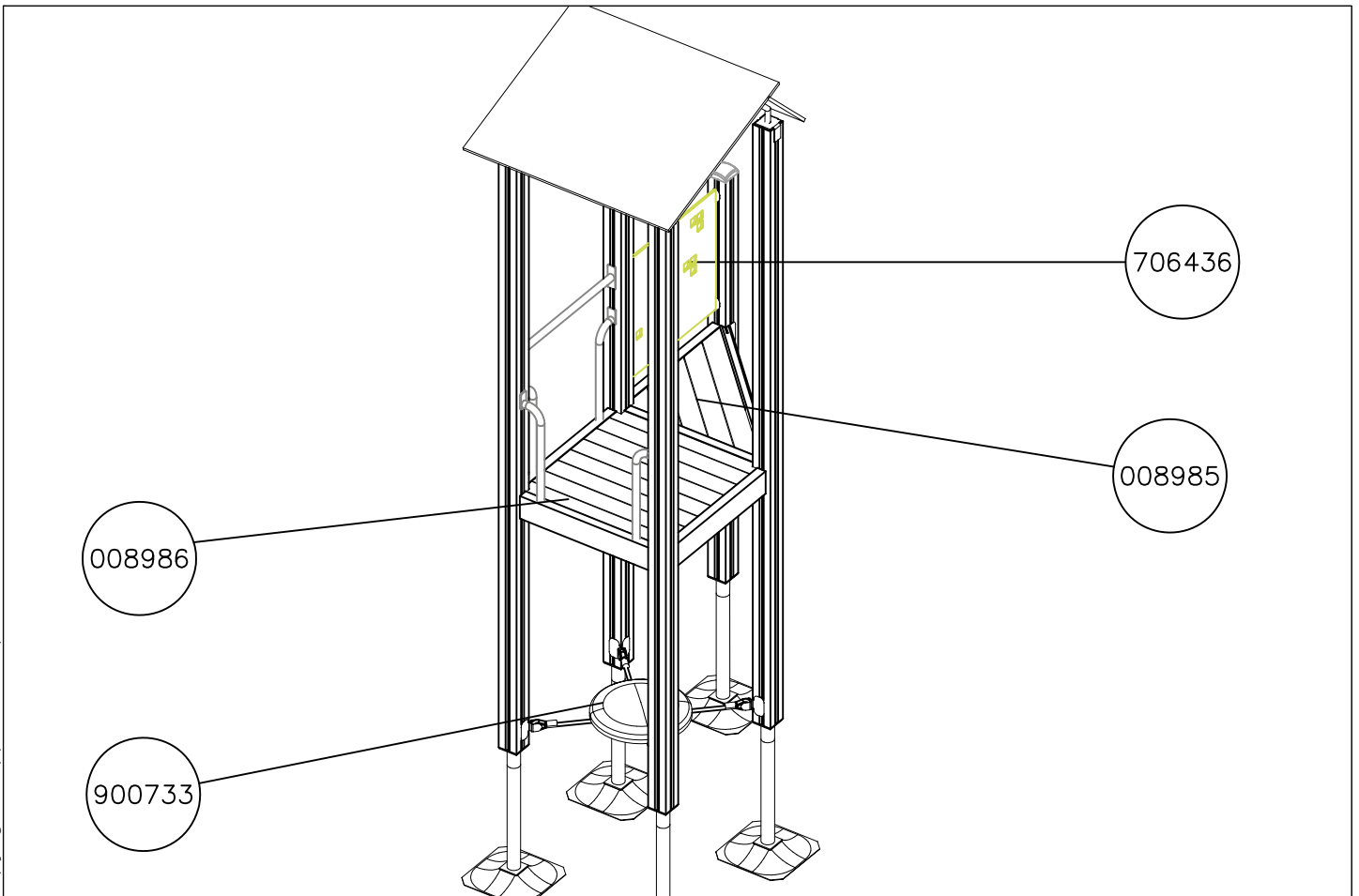
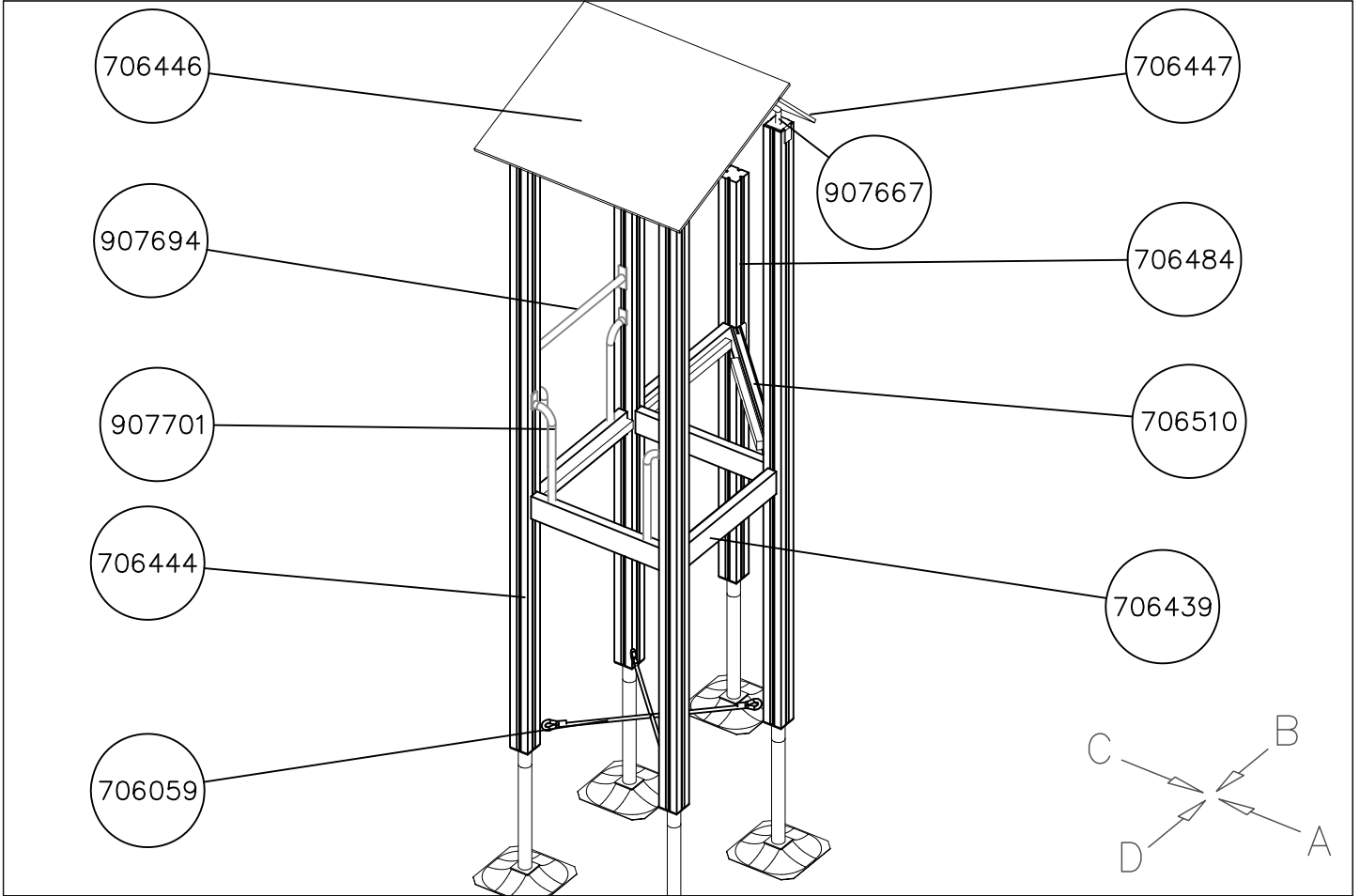
C



D



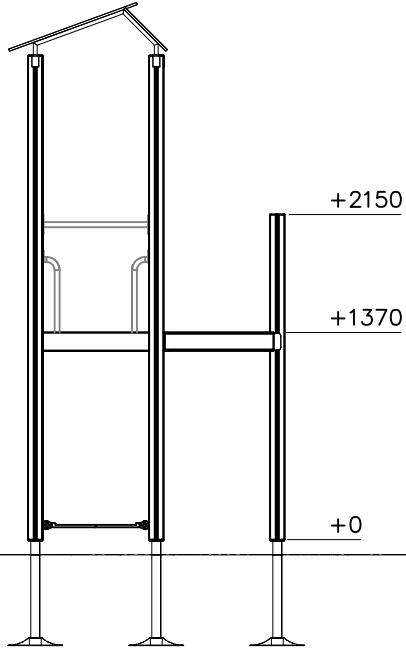
DATE: 3.4.2020



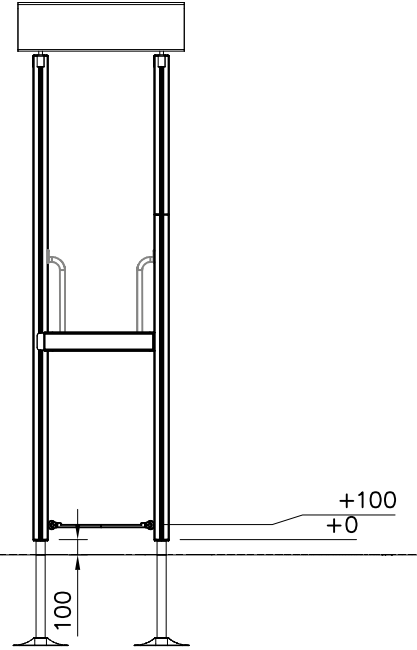
DATE: 3.4.2020

1:50

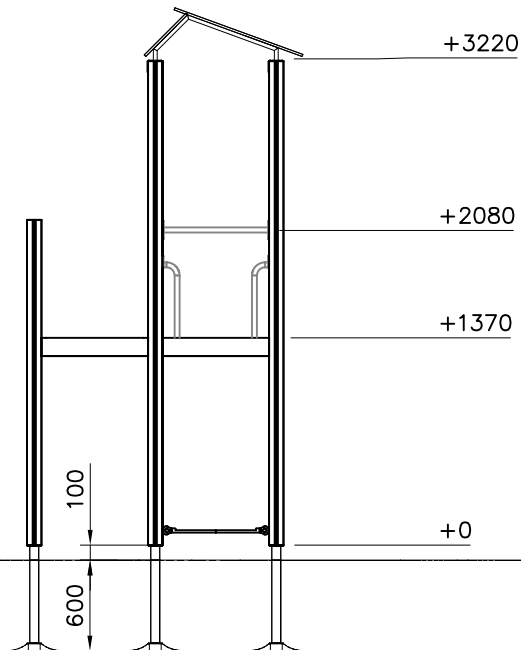
A



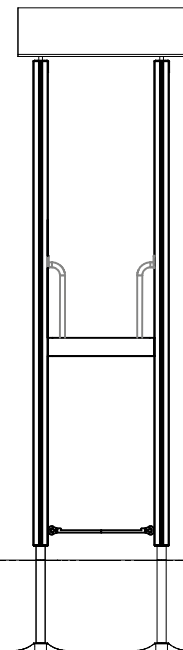
B

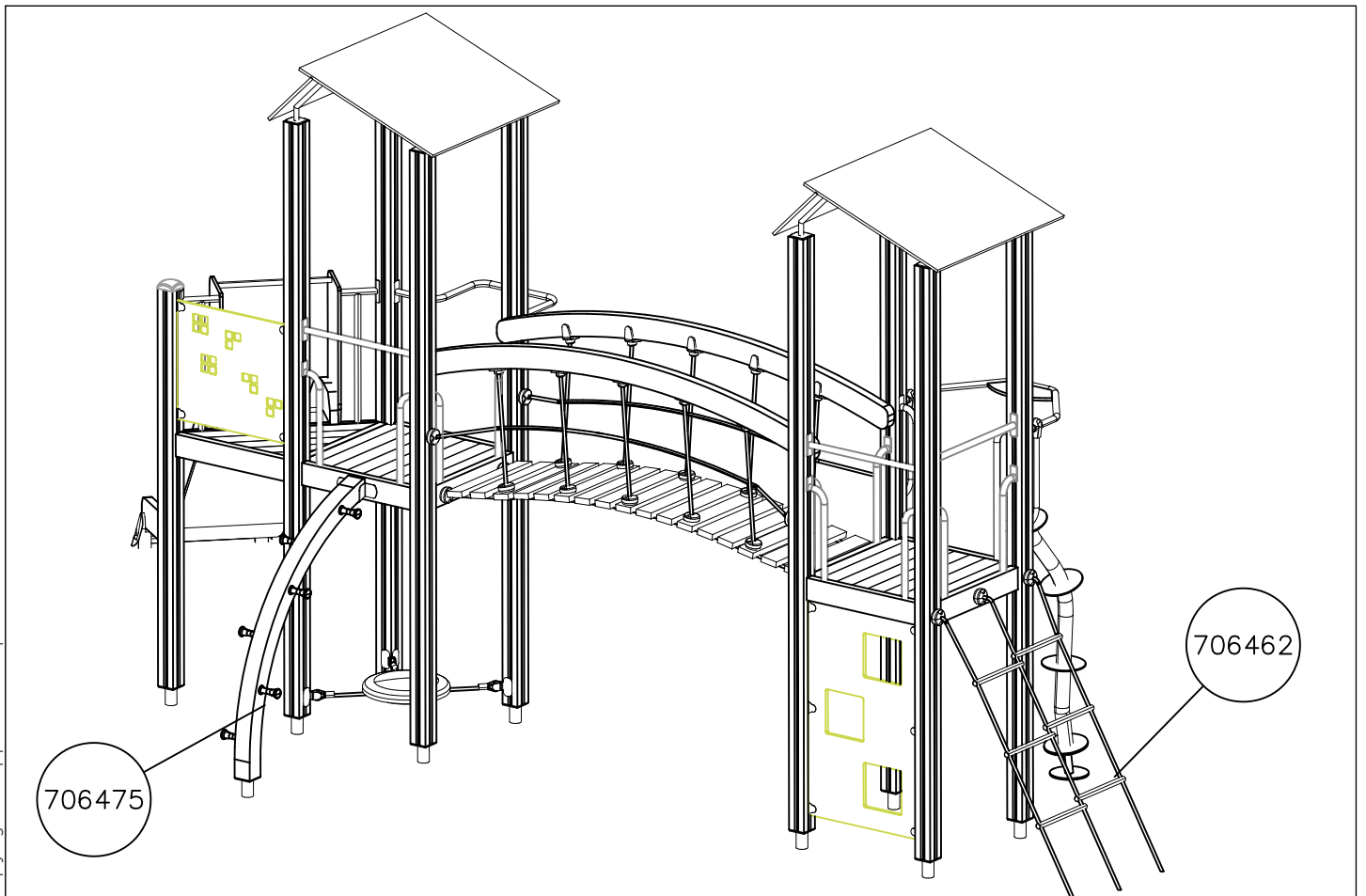
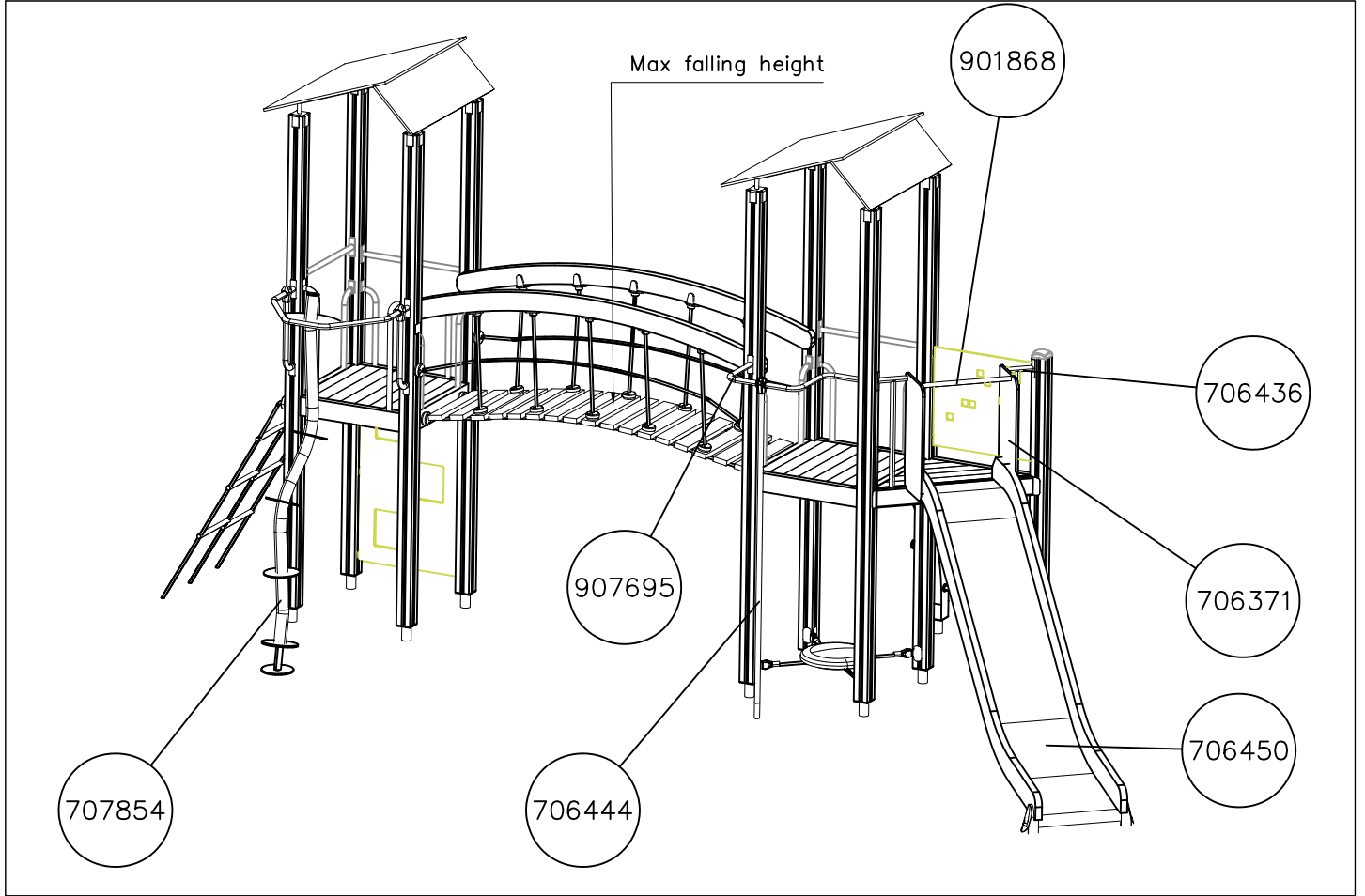


C



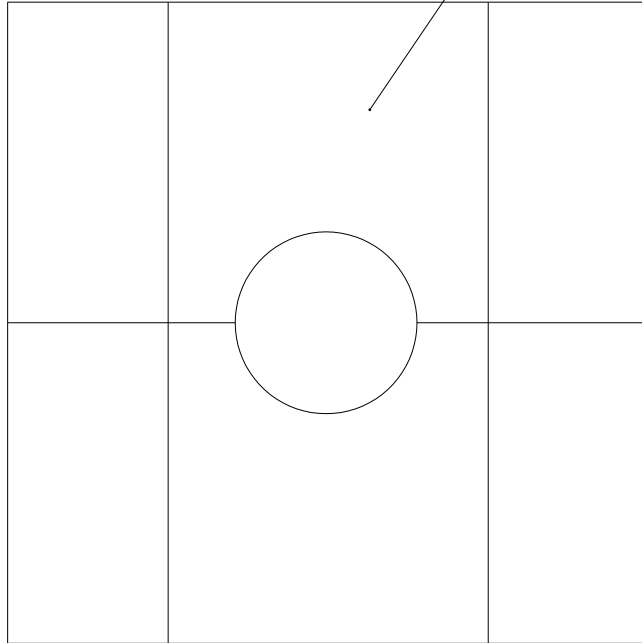
D



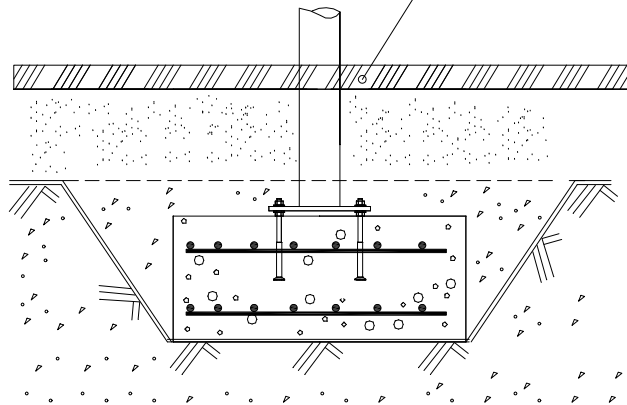


												
<p>$h < 600$</p> <p>Without movement and therefore without Impact Area</p>	<p>Totally hard surfaces.</p> <p>Note. Lappset does <u>not recommend</u> totally hard surfaces at all.</p>	<p>E.g. concrete or asphalt</p> 										
<p>$h < 600$</p> <p>With movement e.g. rocking</p>	<p>Materials with very limited impact attenuating properties.</p>	<p>E.g. wood</p> 										
<p>$h < 1000$</p>	<p>Materials with significant impact attenuating properties.</p>	<p>fine gravel 0–8 mm</p>  <p>grass</p>  <p>unsorted sand</p> 										
<p>$h < 3000$</p>	<p>Loose fill material</p> <p>E.g. sand/gravel 0,25...8 mm D60/D10<3,0 Woodchips 5...30 mm bark 20...80 mm</p>	 <table data-bbox="1024 1691 1332 1792"> <tr> <td>\underline{S}</td> <td>\underline{h}</td> </tr> <tr> <td>30 cm</td> <td>< 2,0 m</td> </tr> <tr> <td>40 cm</td> <td>< 3,0 m</td> </tr> </table>	\underline{S}	\underline{h}	30 cm	< 2,0 m	40 cm	< 3,0 m				
\underline{S}	\underline{h}											
30 cm	< 2,0 m											
40 cm	< 3,0 m											
	<p>Syntethic granulates</p> <table data-bbox="406 1892 758 2060"> <tr> <td>\underline{S}</td> <td>\underline{h}</td> </tr> <tr> <td>40 mm</td> <td>~> 1,2...1,3 m</td> </tr> <tr> <td>50 mm</td> <td>~> 1,5...1,7 m</td> </tr> <tr> <td>60 mm</td> <td>~> 1,8...2,0 m</td> </tr> <tr> <td>70 mm</td> <td>~> 2,1...2,5 m</td> </tr> </table> <p>Note. For accurate values, see manufacturer's instructions.</p>	\underline{S}	\underline{h}	40 mm	~> 1,2...1,3 m	50 mm	~> 1,5...1,7 m	60 mm	~> 1,8...2,0 m	70 mm	~> 2,1...2,5 m	
\underline{S}	\underline{h}											
40 mm	~> 1,2...1,3 m											
50 mm	~> 1,5...1,7 m											
60 mm	~> 1,8...2,0 m											
70 mm	~> 2,1...2,5 m											

REMOVE SAFETY SURFACE/SAND/GRAVEL
TO CHECK FOUNDATION



REMOVE SAFETY SURFACE/SAND/GRAVEL
TO CHECK FOUNDATION

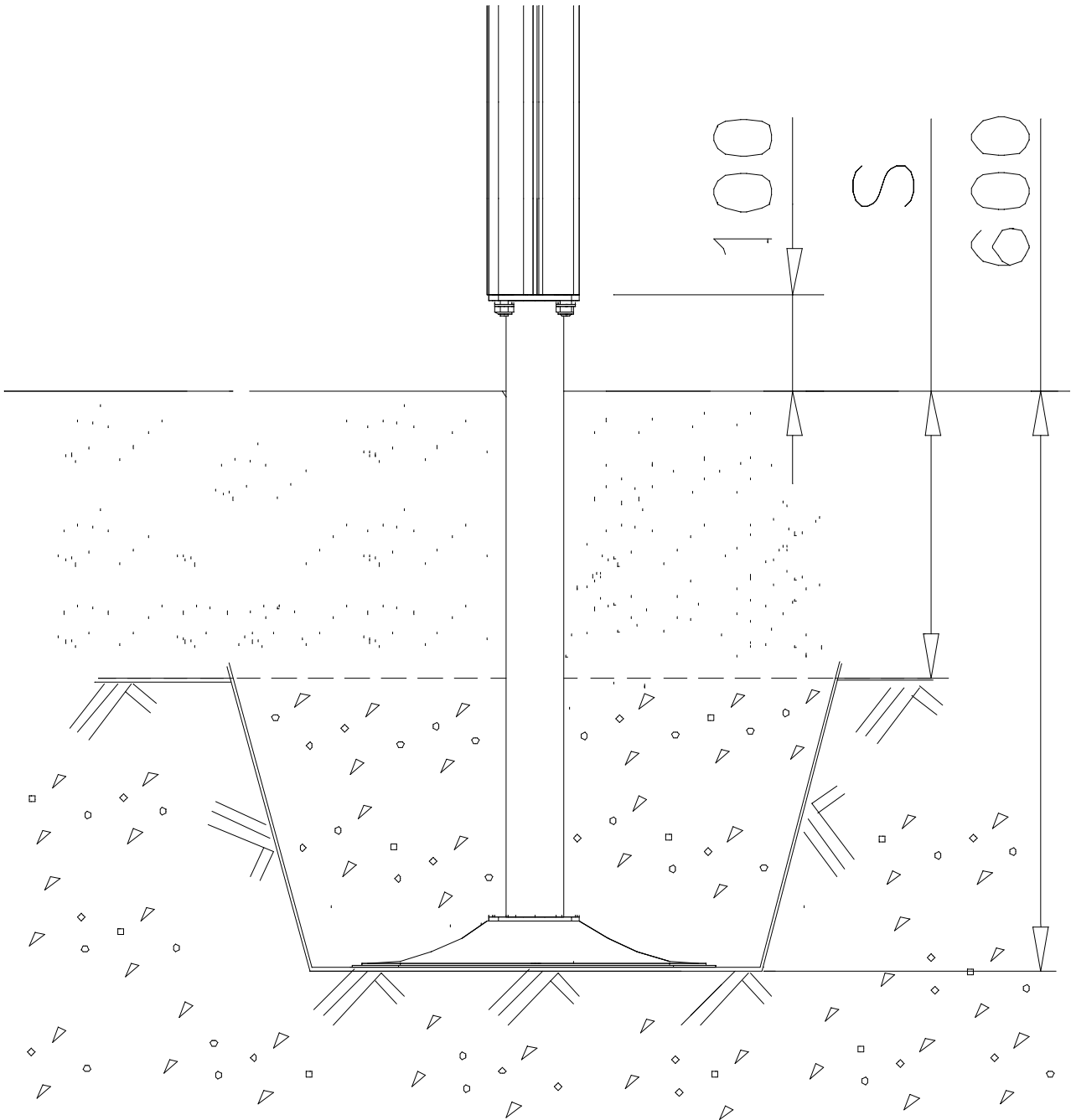
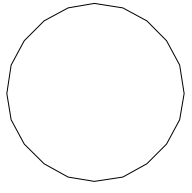


LAPPSET®
DEEP FOUNDATION

FOOT

DATE: 13.3.2014

4A



LAPPSET®
BETON FOUNDATION

FOOT

DATE: 27.10.2015

1(1)

② 905104	PCS		PCS
	4		
 M10	PCS		PCS



905104

LAPPSET® DEEP FOUNDATION

FOOT

DATE: 15.5.2018

1(1)



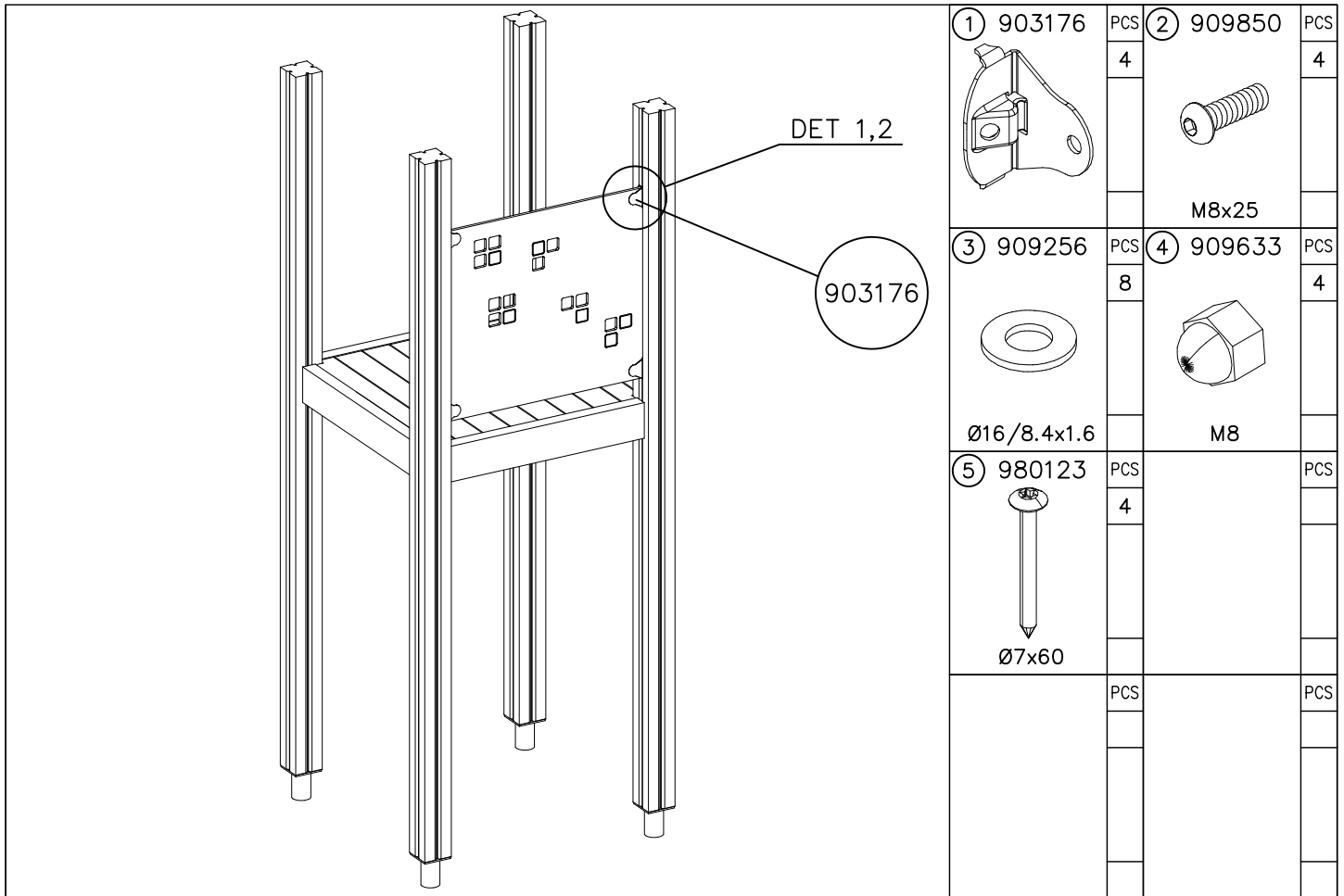
①	909511	PCS	②	909519	PCS
		1			1
	90x90x650			50x380x380	

③	909637	PCS	④	909638	PCS
		4			8
	M10			Ø20/10.5	

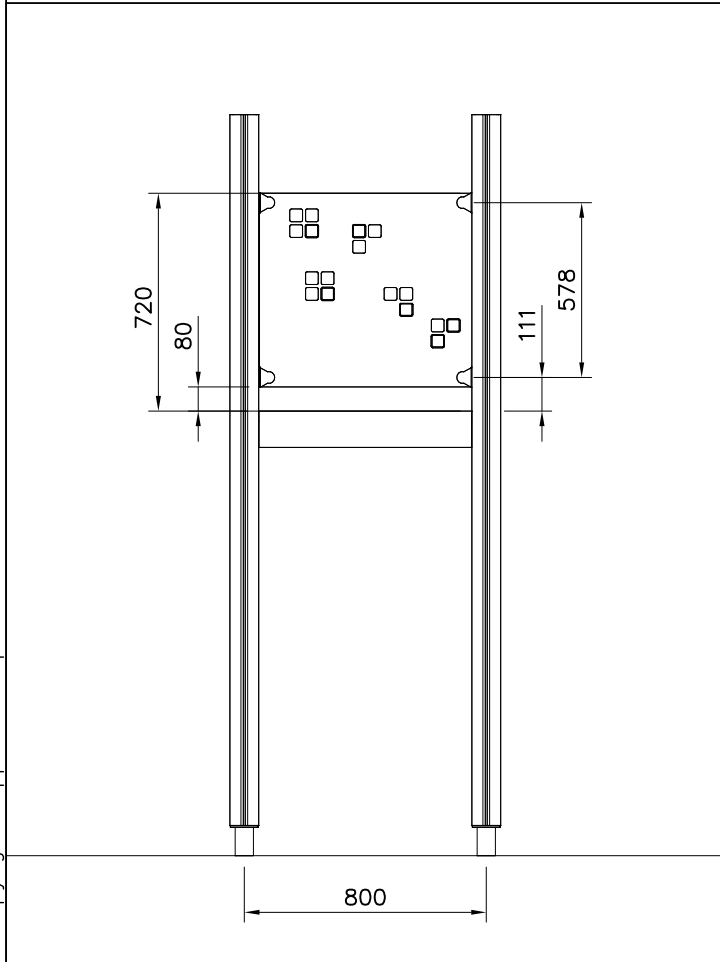
⑤	909639	PCS	⑥	905104	PCS
		4			4
	M10x25			M10	

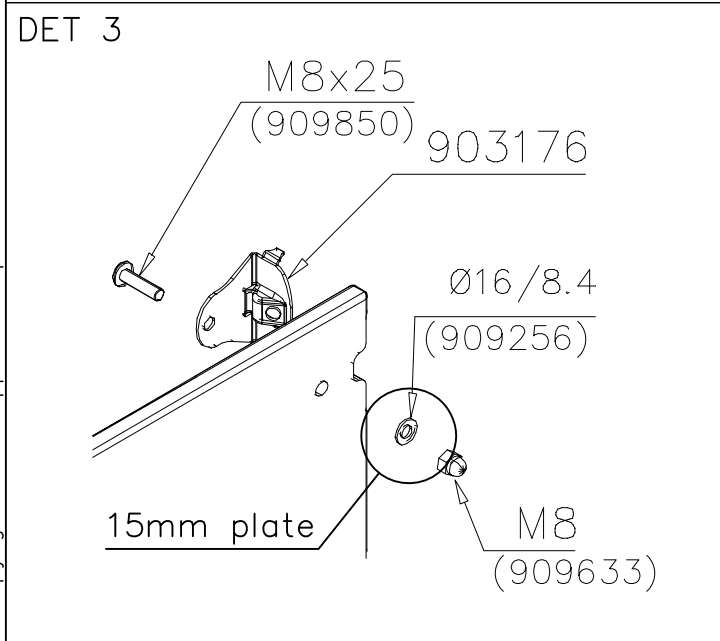
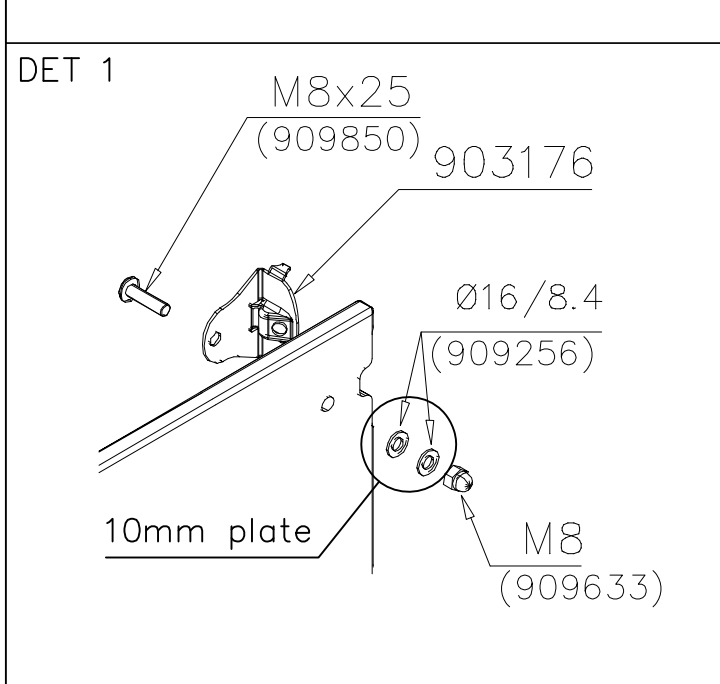
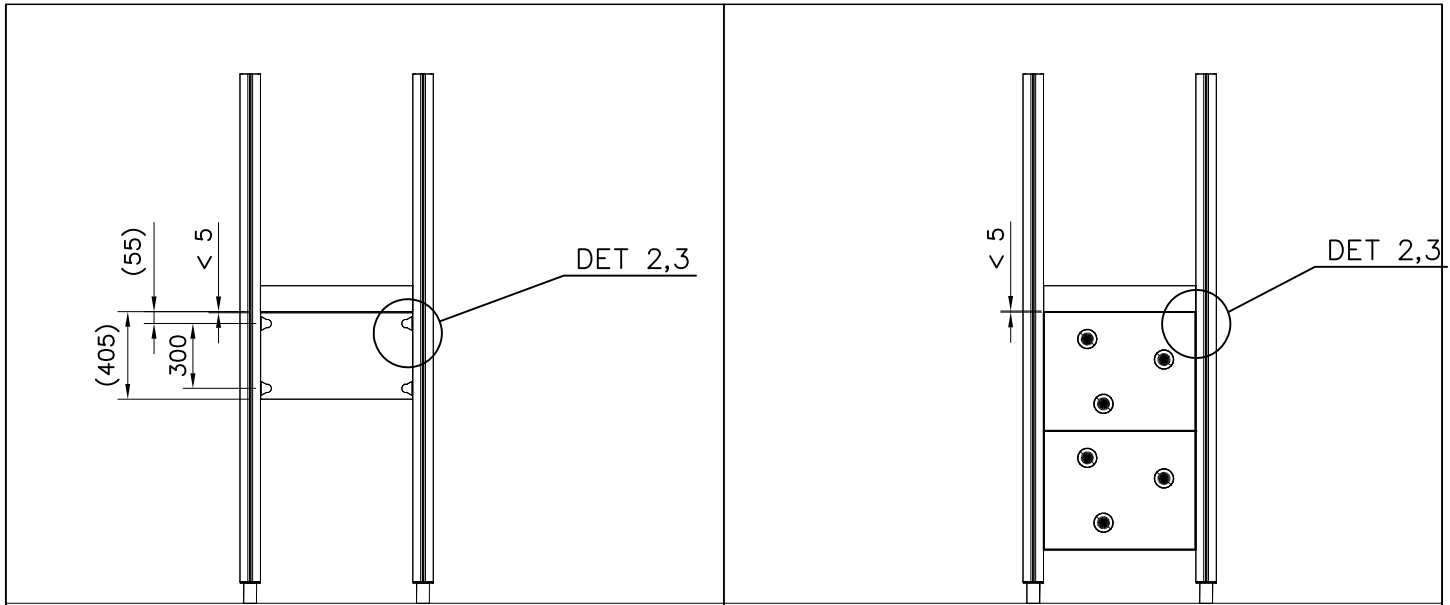
OPTION FOOT

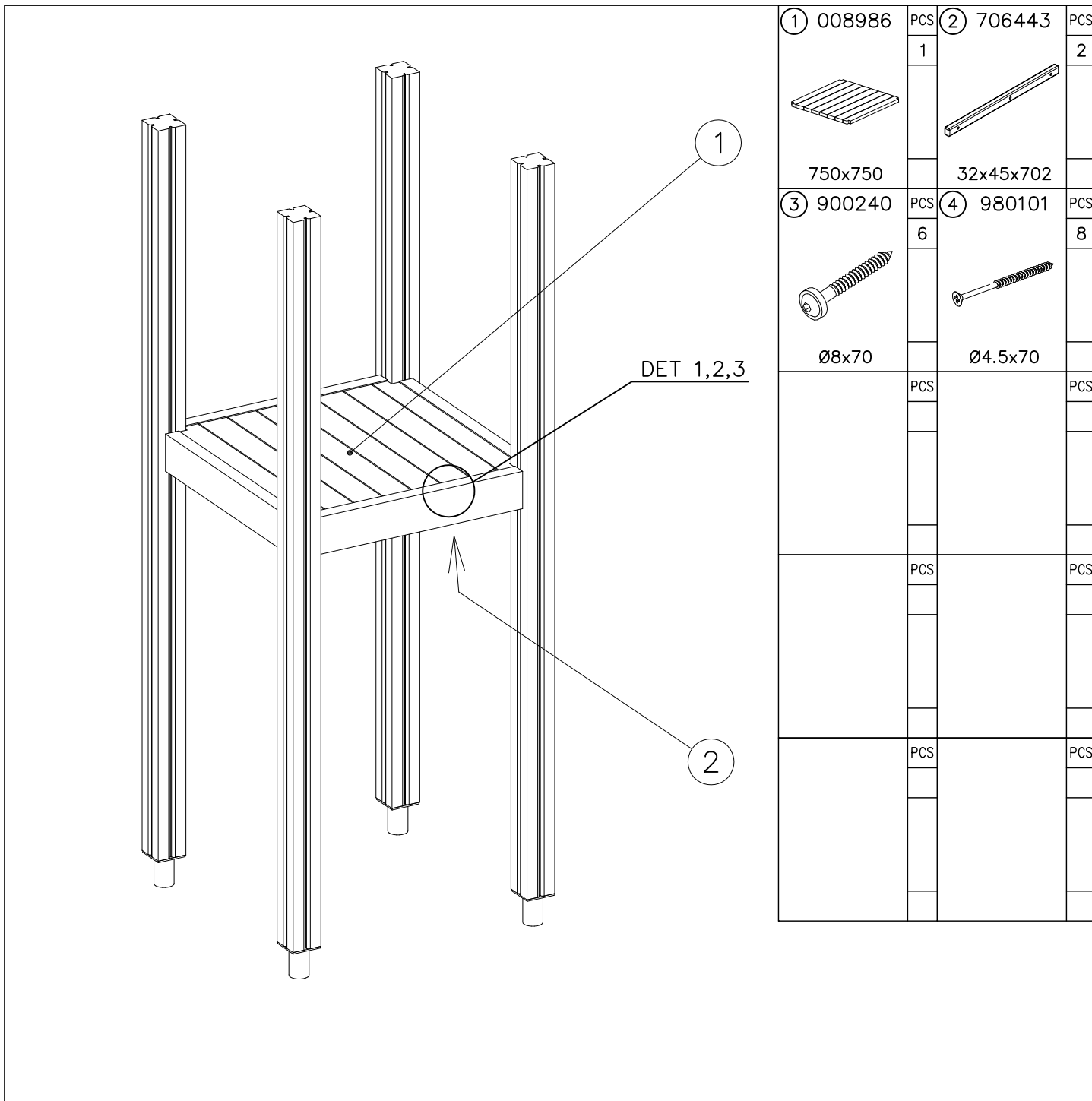
①	911155	PCS			PCS
		1			
	90x90x650				



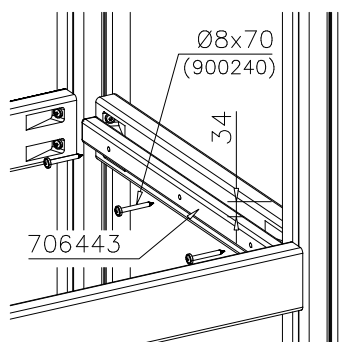
① 903176	PCS	② 909850	PCS
	4		4
		M8x25	
③ 909256	PCS	④ 909633	PCS
	8		4
Ø16/8.4x1.6		M8	
⑤ 980123	PCS		PCS
	4		
Ø7x60			
	PCS		PCS





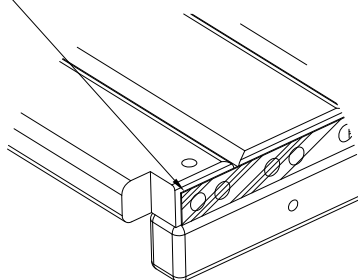


DET 1

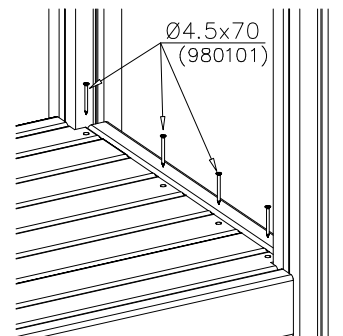


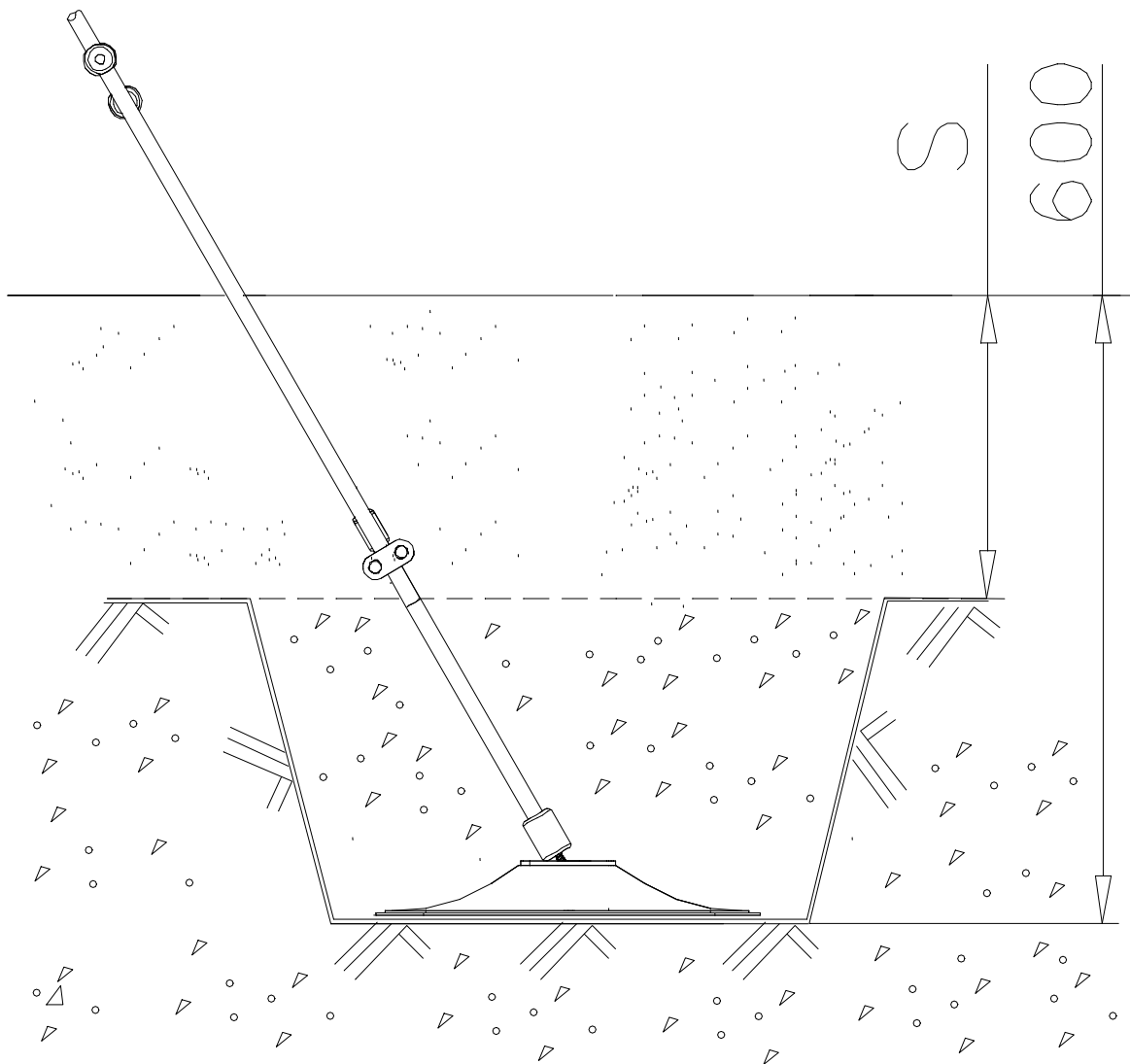
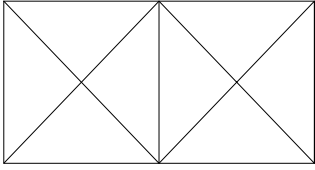
DET 2

Naulanauha kannatinlistan puolelle.
Nail list to the bottom.



DET 3



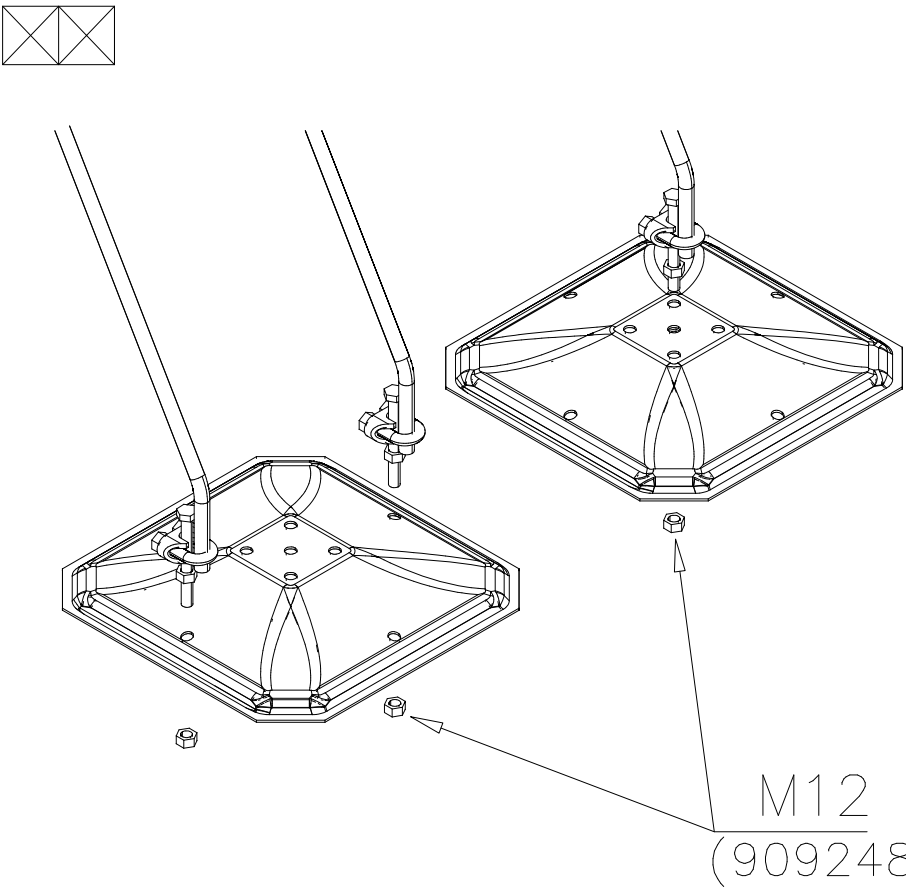


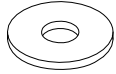
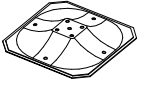
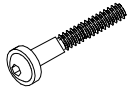


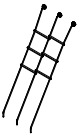
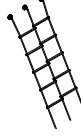
LAPPSET® DEEP FOUNDATION

ROPE LADDER

DATE: 30.6.2016

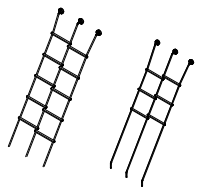
1(1)



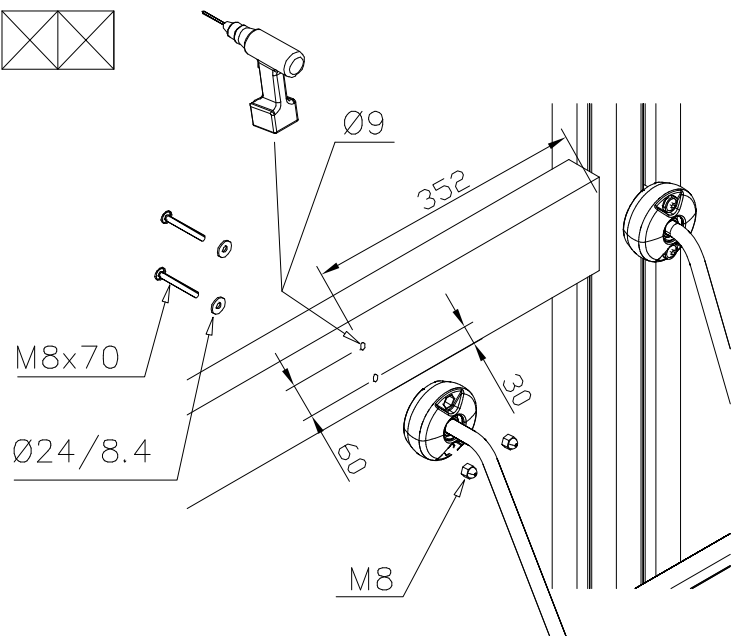
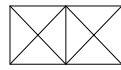
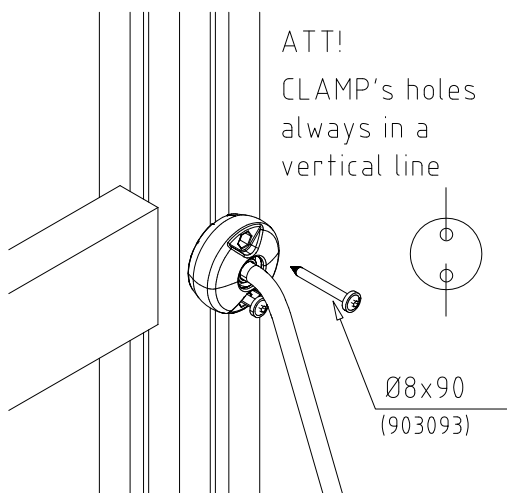
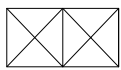
① 905051	PCS	② 909519	PCS
	2		2
Ø24/8.4		50x380x380	
③ 909867	PCS	④ 909633	PCS
	2		2
M8x70		M8	
⑤ 903093	PCS		PCS
	4		
Ø8x90			
○ 706462	PCS	○ 707393	PCS
	1		1
+1470		+1970	

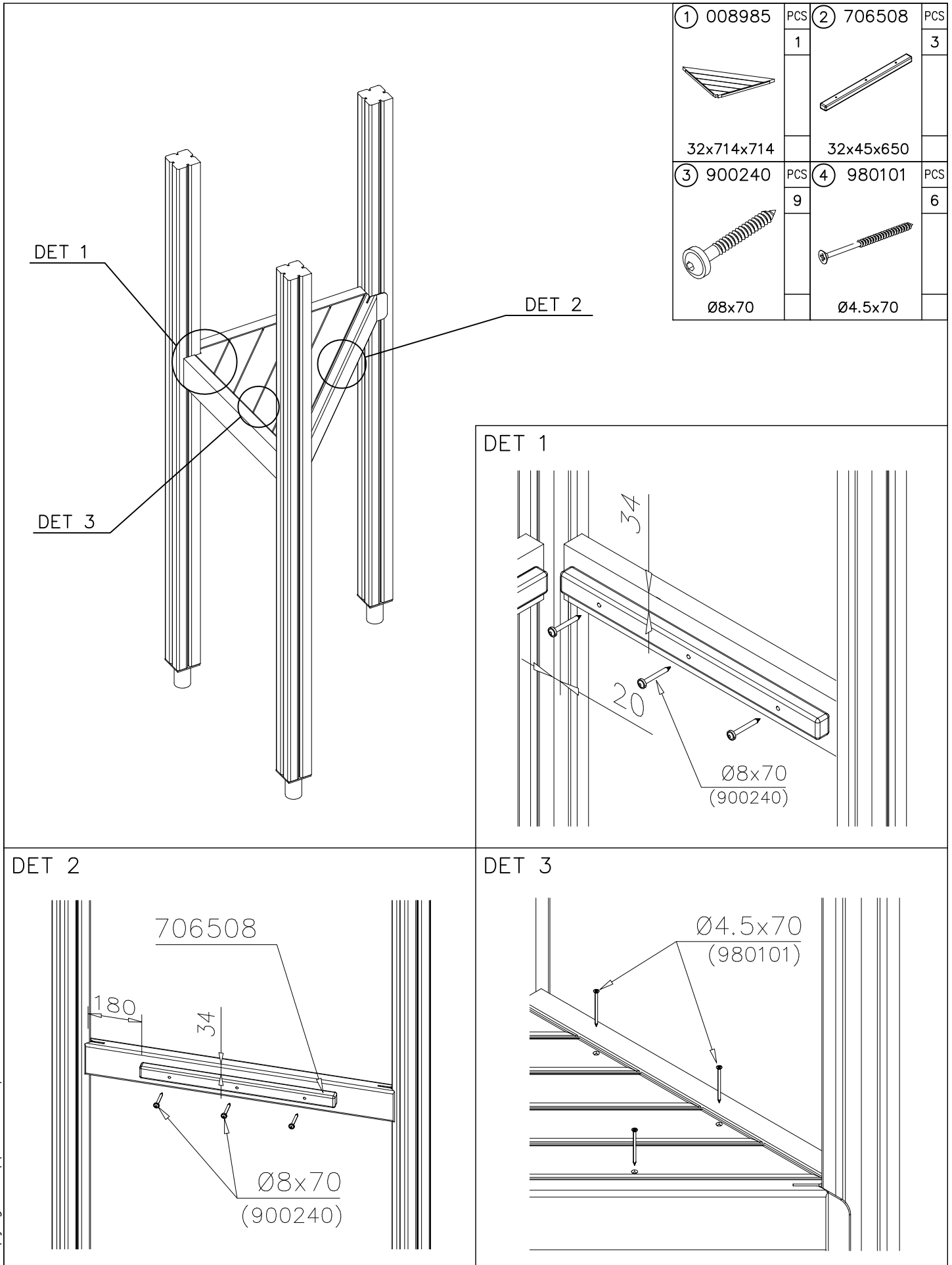
M12
(909248)

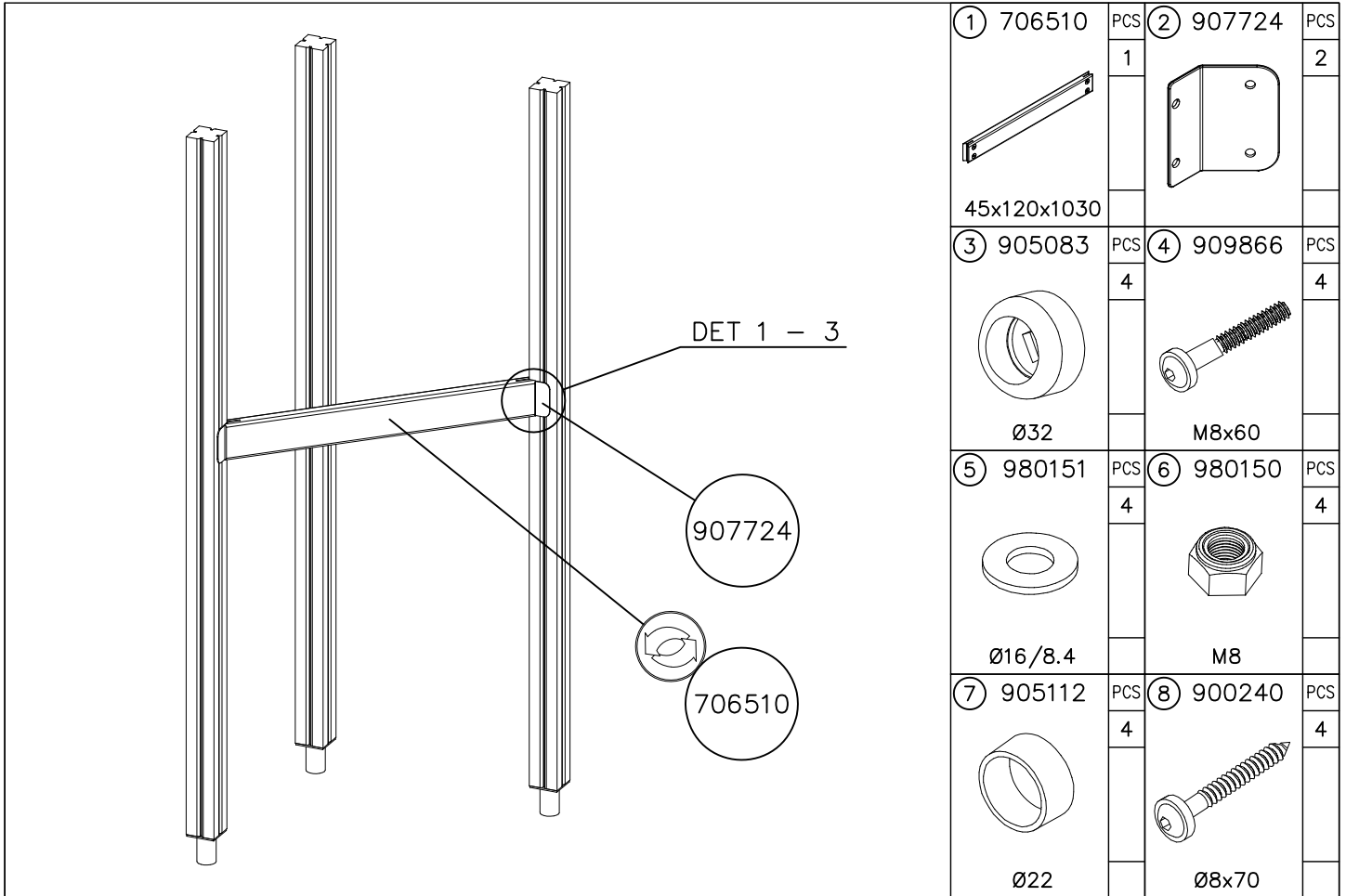
ROPE LADDER COLOR OPTIONS



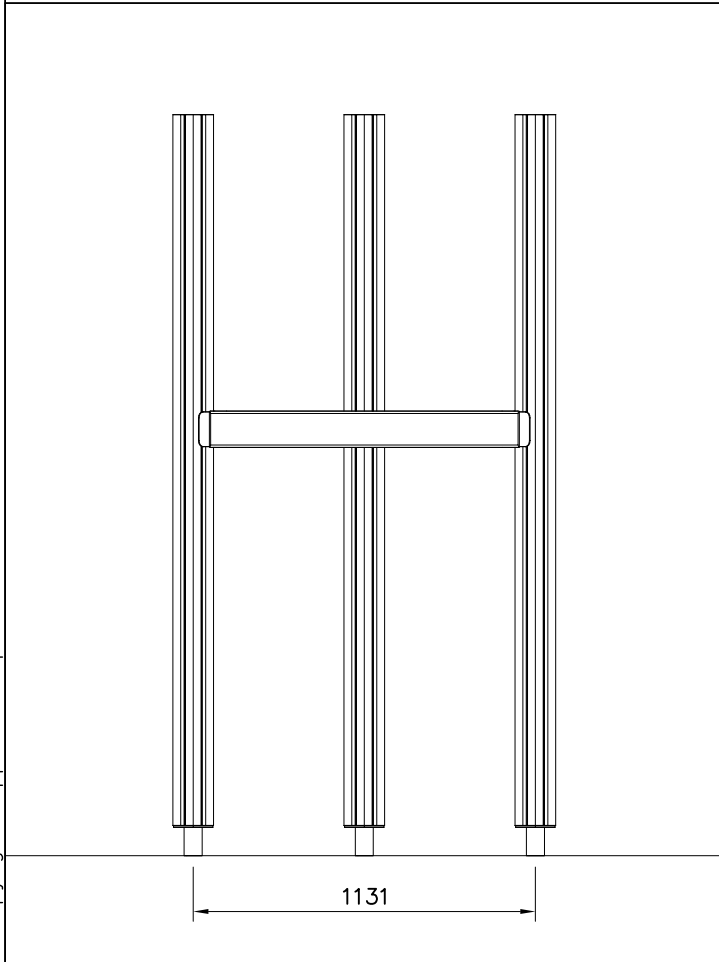
xxxxxx-301	BLUE
xxxxxx-302	RED
xxxxxx-303	BEIGE
xxxxxx-304	GRAY
xxxxxx-305	BLACK
xxxxxx-306	YELLOW





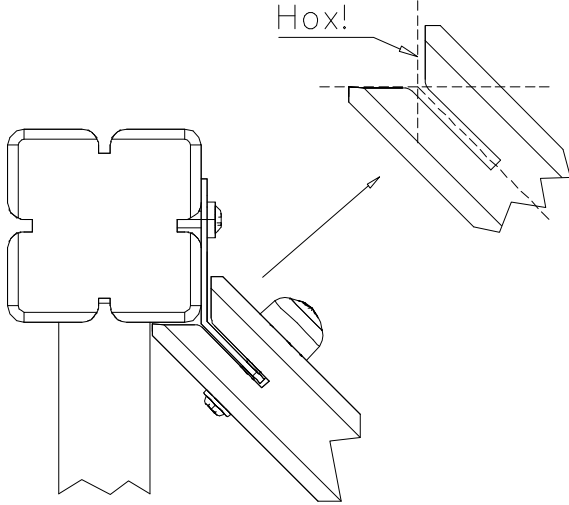


① 706510	PCS	② 907724	PCS
	1		2
45x120x1030			
③ 905083	PCS	④ 909866	PCS
	4		4
Ø32		M8x60	
⑤ 980151	PCS	⑥ 980150	PCS
	4		4
Ø16/8.4		M8	
⑦ 905112	PCS	⑧ 900240	PCS
	4		4
Ø22		Ø8x70	

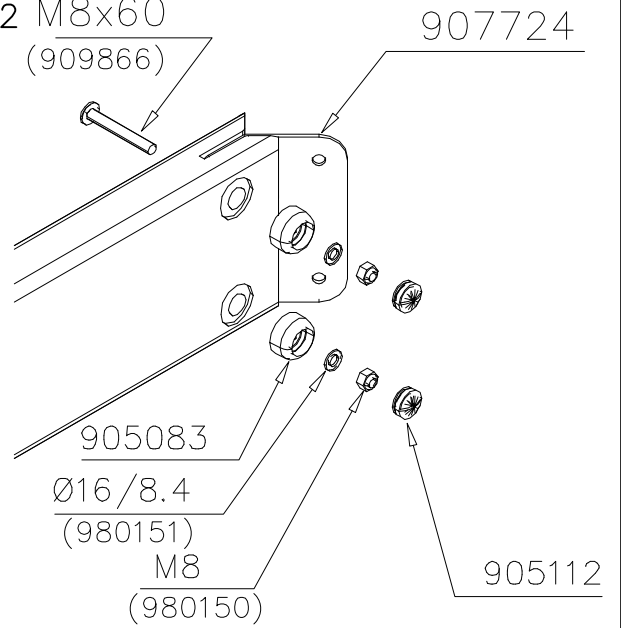


BOOM OPTIONS		
706510	706510-602	DARK BROWN
	706510-603	LIGHT BROWN
	706510-604	LIGHT GRAY
45x120x1030		

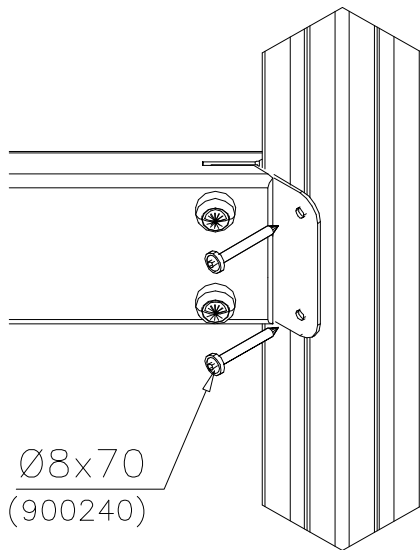
DET 1

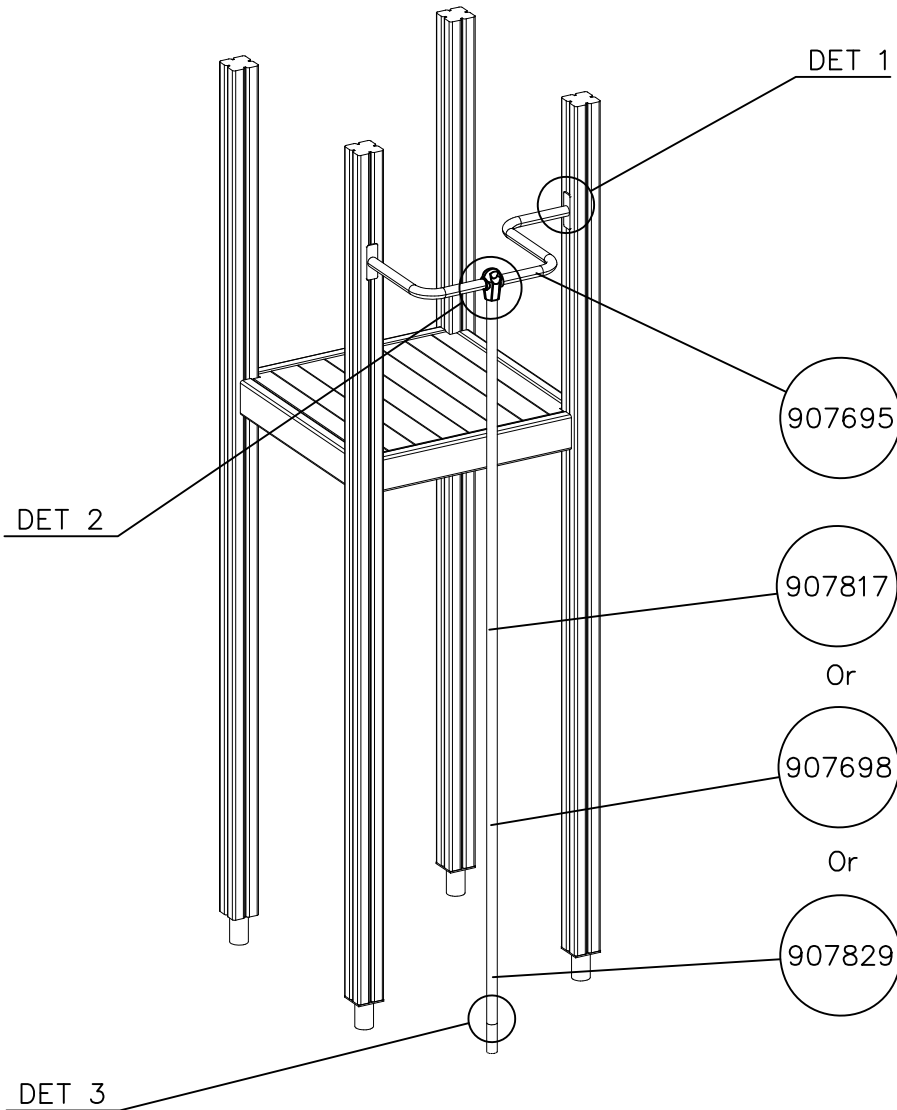


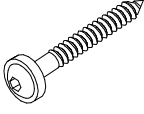
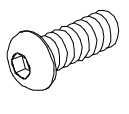


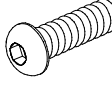

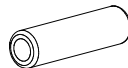




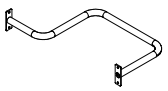
DET 2 M8x60
 (909866)

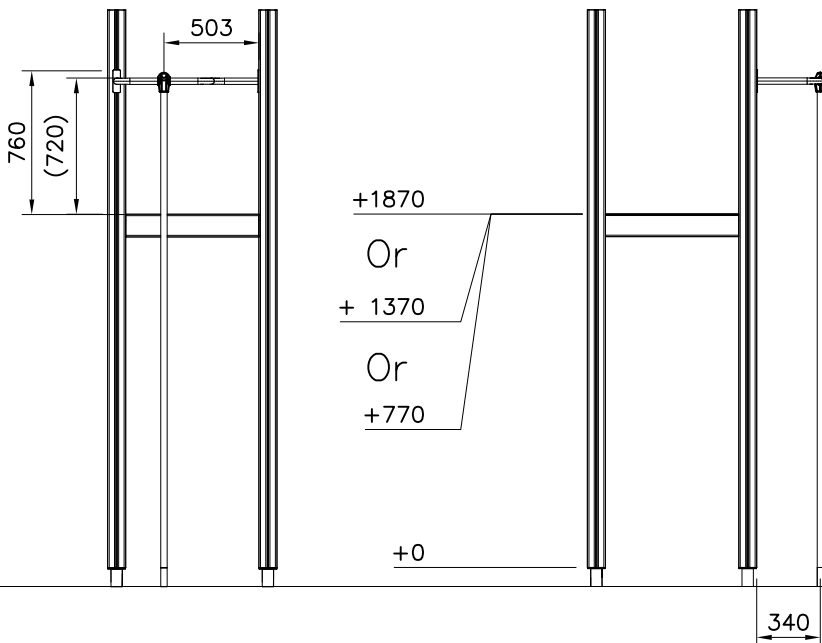


DET 3

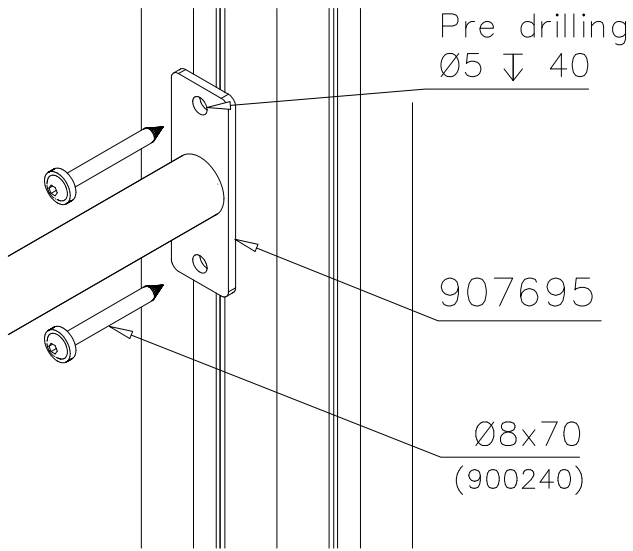




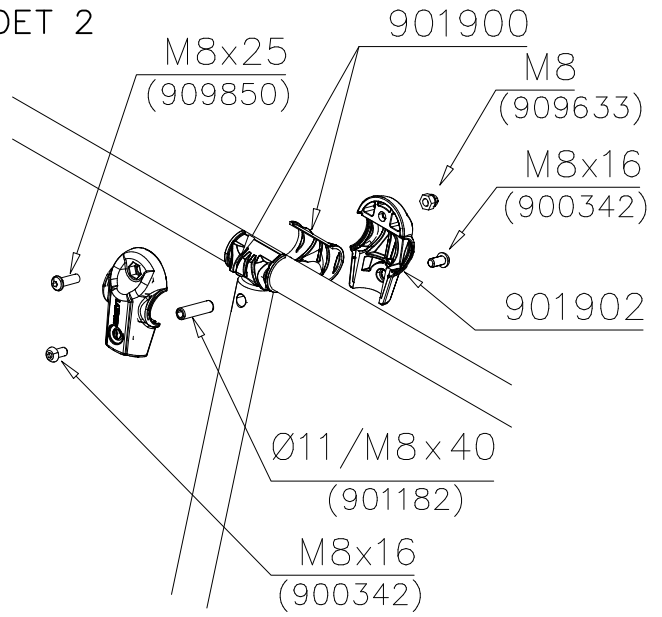
① 900240	PCS	② 900342	PCS
	4		2
Ø8x70		M8x16	
③ 901900	PCS	④ 901939	PCS
	2		1
20.5x36.2x56		M12x70	
⑤ 909850	PCS	⑥ 980150	PCS
	1		1
M8x25		M8	
⑦ 901182	PCS	⑧ 901902	PCS
	1		2
Ø11/M8x40		30.7x60.9x100	
	PCS		PCS
	PCS		PCS
○ 907829	PCS	○ 907698	PCS
	1		1
Ø33,7x1454		Ø33,7x2054	
○ 907817	PCS	○ 907695	PCS
	1		1
Ø33,7x2554			



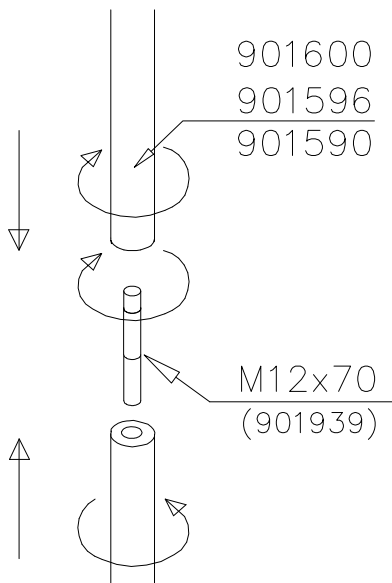
DET 1



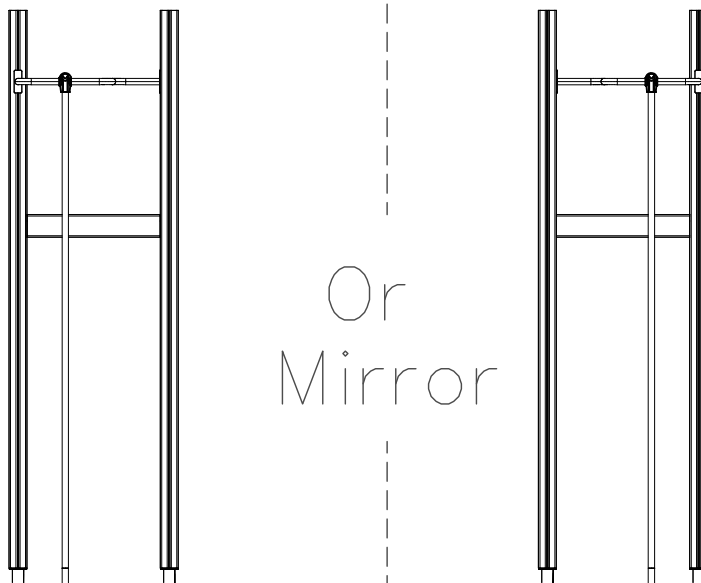
DET 2



DET 3



DET 4

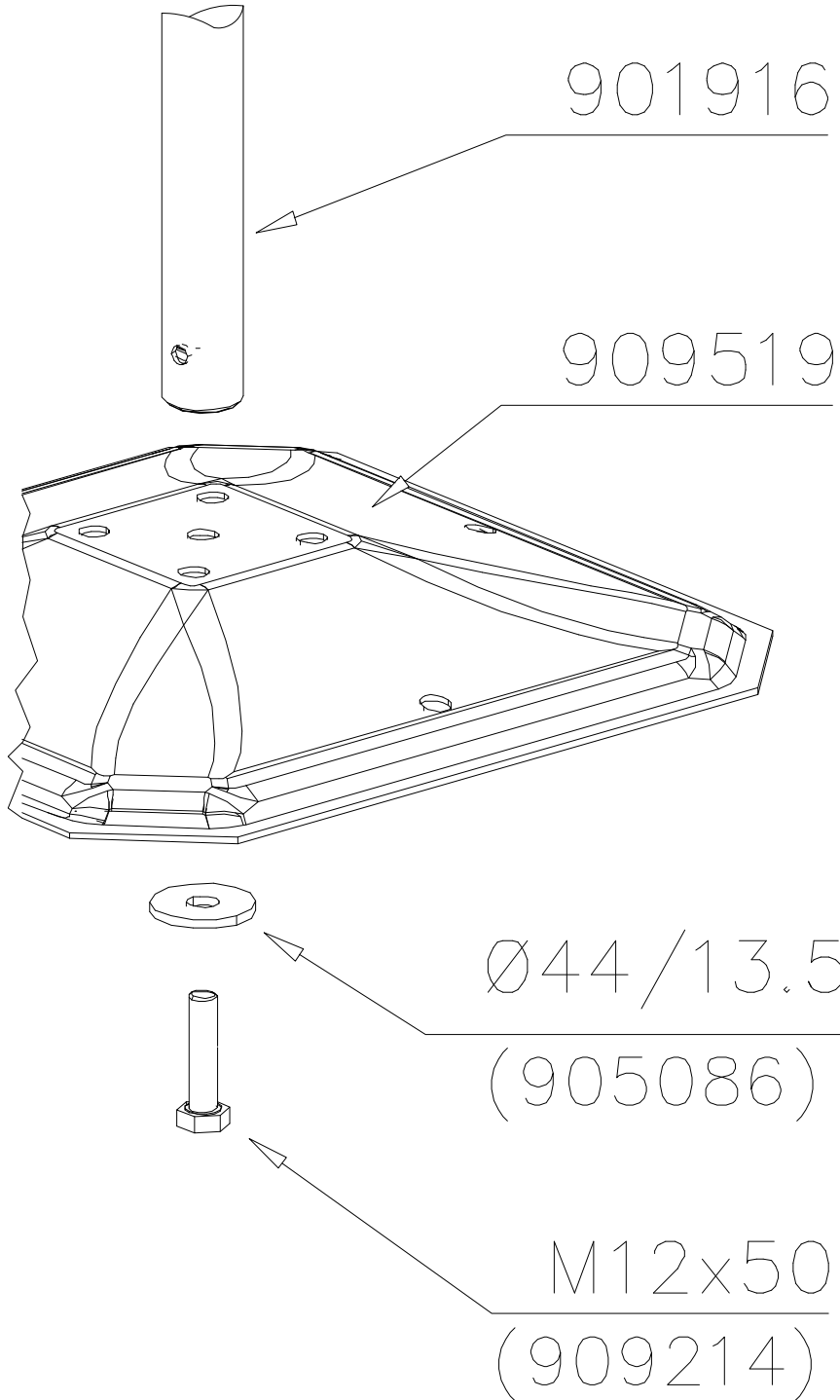
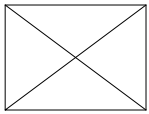


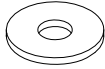
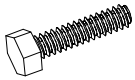
LAPPSET® DEEP FOUNDATION

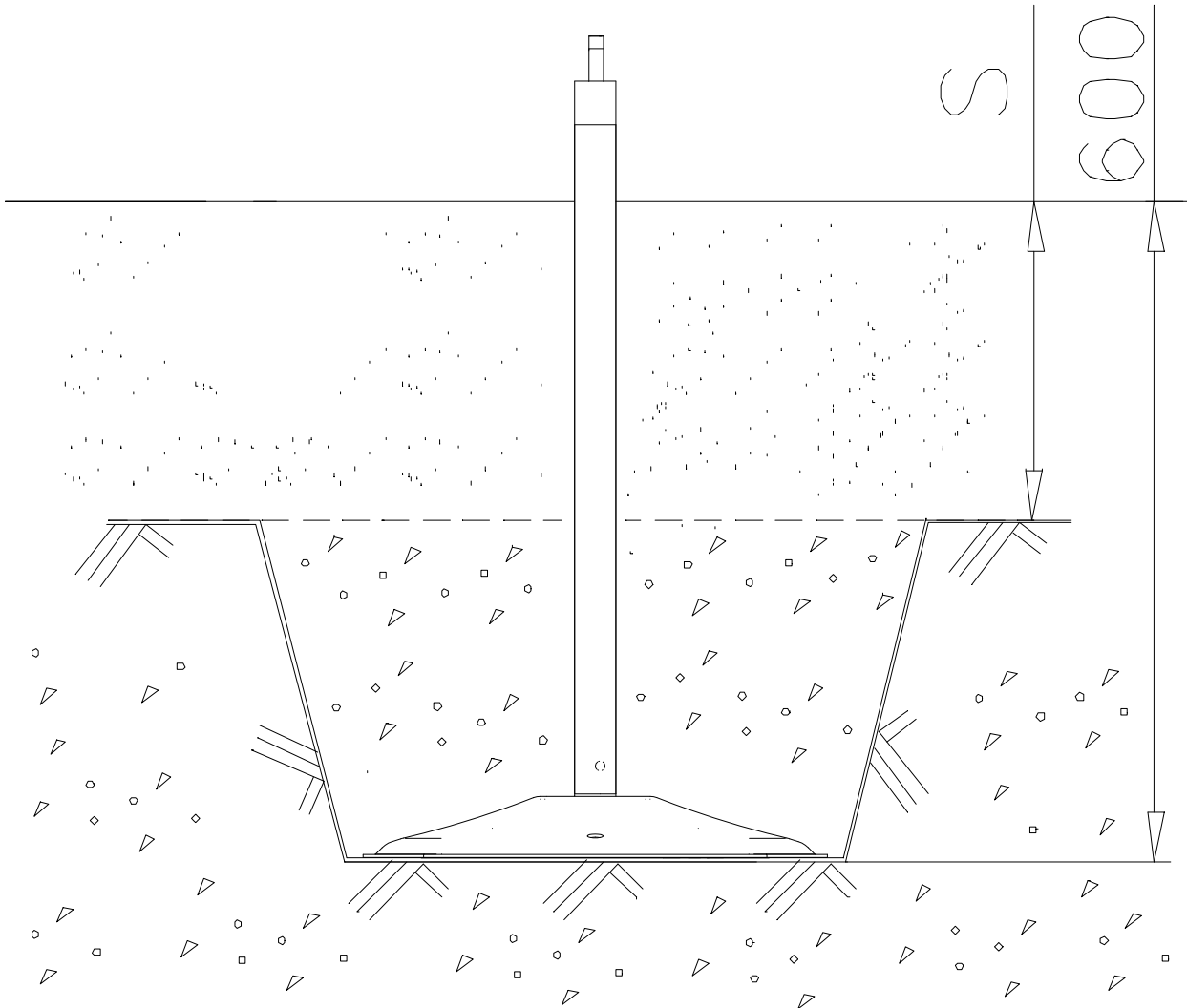
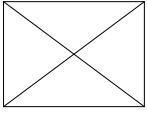
POLE

DATE: 15.5.2014

1(1)



①	905086	PCS	②	909214	PCS
		1			1
	Ø44/13.5		M12x50		
		PCS			PCS
		PCS			PCS
		PCS			PCS
		PCS			PCS
		PCS			PCS
		PCS			PCS
		PCS			PCS



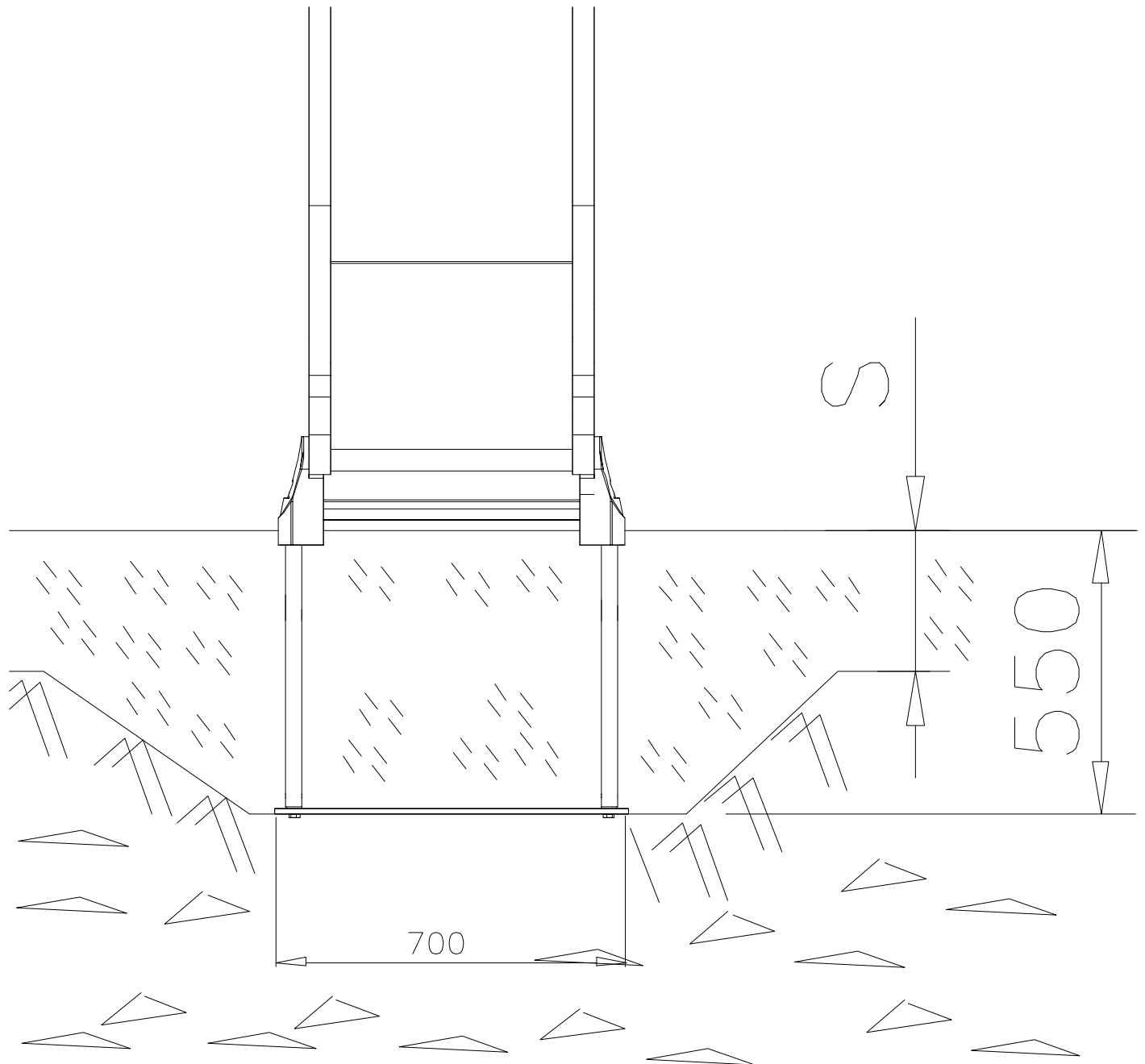
LAPPSET

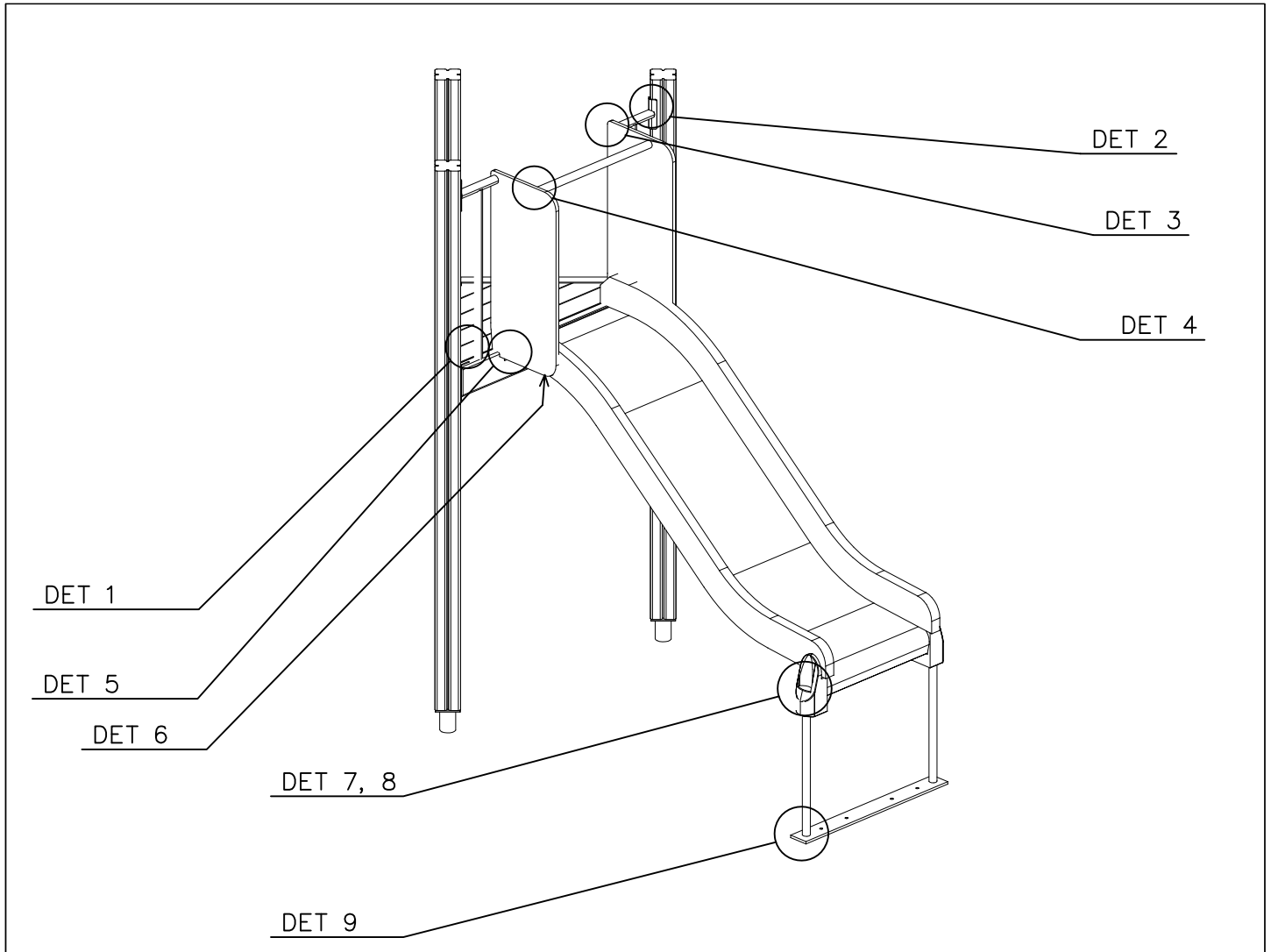
DEEP FOUNDATION

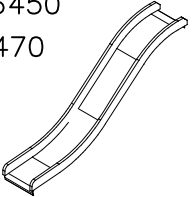
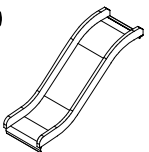
SLIDE WOOD

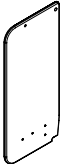
DATE: 22.5.2015

1(1)





SLIDE OPTIONS			
706450 +1470 	706450-602 706450-603 706450-604	DARK BROWN LIGHT BROWN LIGHT GRAY	
706452 +870 	706452-602 706452-603 706452-604	DARK BROWN LIGHT BROWN LIGHT GRAY	

WALL OPTIONS			
706371 	706371-701 706371-702 706371-703 706371-704 706371-705 706371-706	BLUE YELLOW LIME DRARK GRAY LIGHT GRAY RED	706371-707 706371-708 GREEN FUXIA

LAPPSET

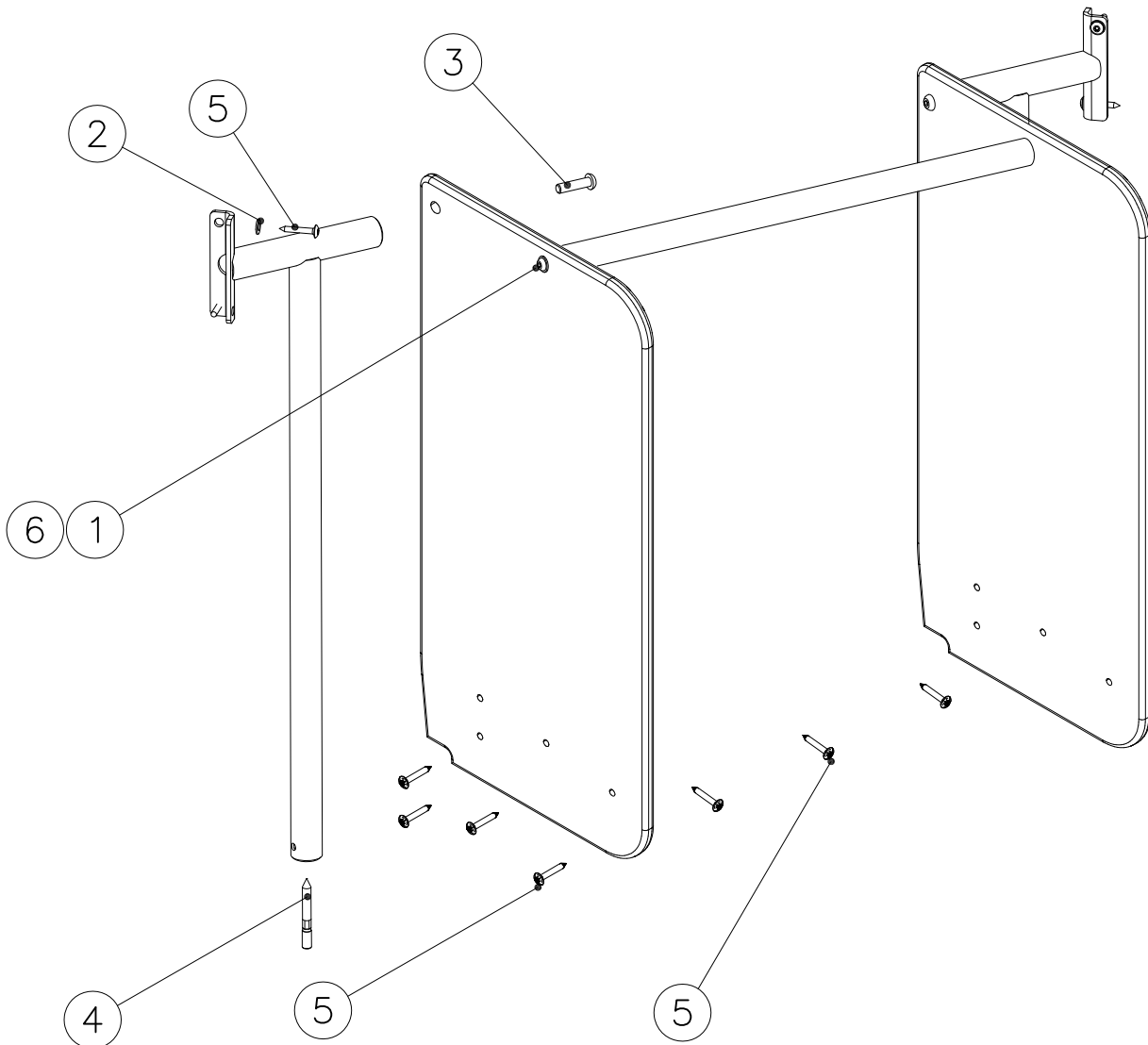
80MD

80MD

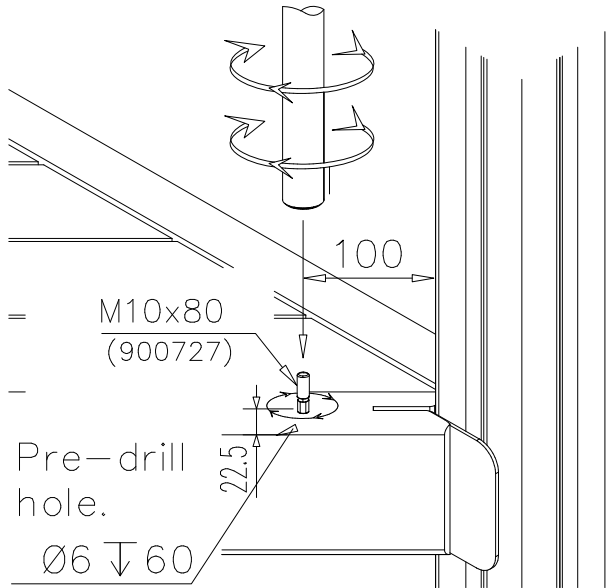
DATE: 21.9.2016

2(5)

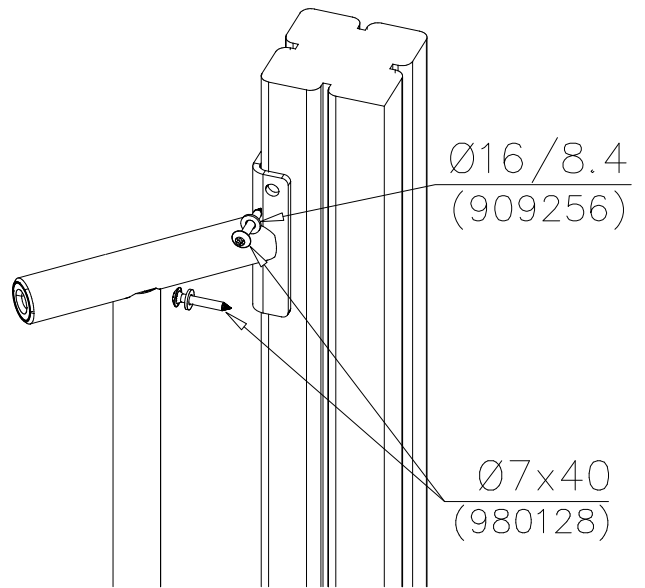
○ SLIDE +1470 PCS 1	○ SLIDE +870 PCS 1	○ 706371 15x345x750 PCS 2	○ 907692 PCS 2	○ 901868 Ø30x598 PCS 1	① 909876 M8x40 PCS 2
② 909256 Ø16/8.4 PCS 4	③ 907727 M10x40 PCS 2	④ 900727 M10x80 PCS 2	⑤ 980128 Ø7x40 PCS 15	⑥ 999561 GLUE 4101 ergo 10 g 10g PCS 1	



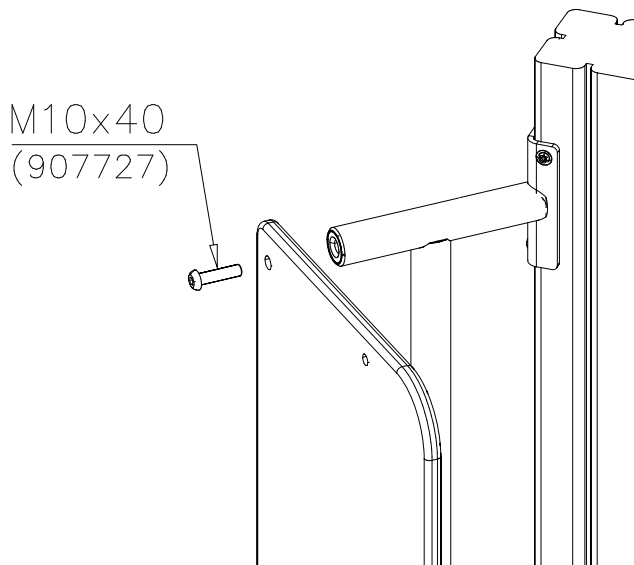
DET 1



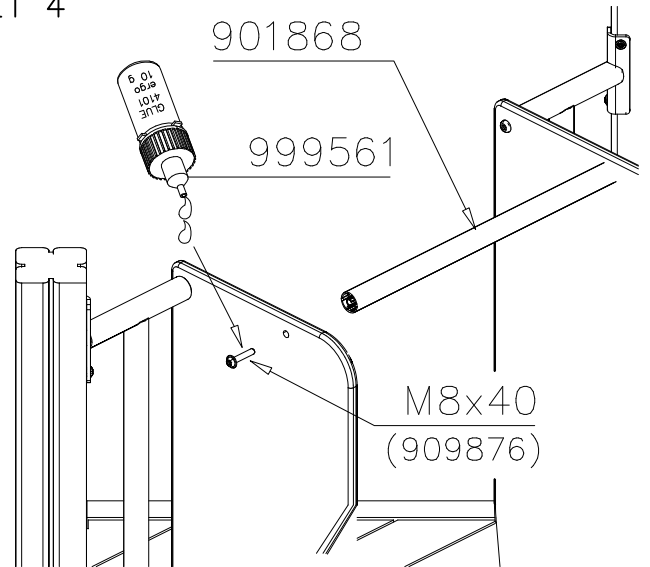
DET 2



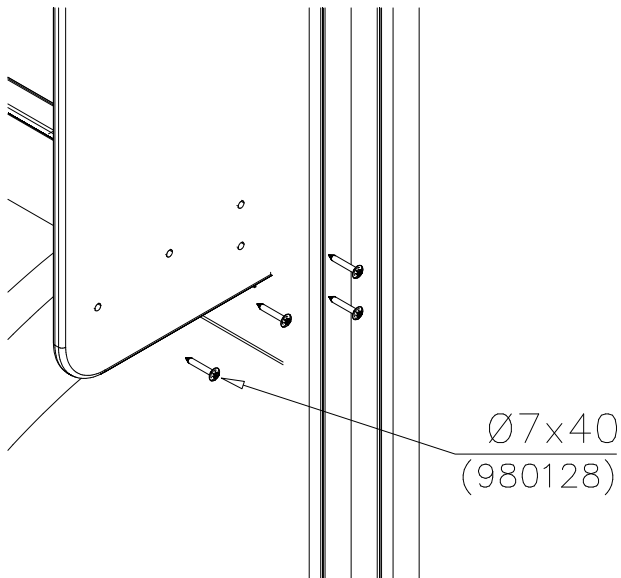
DET 3



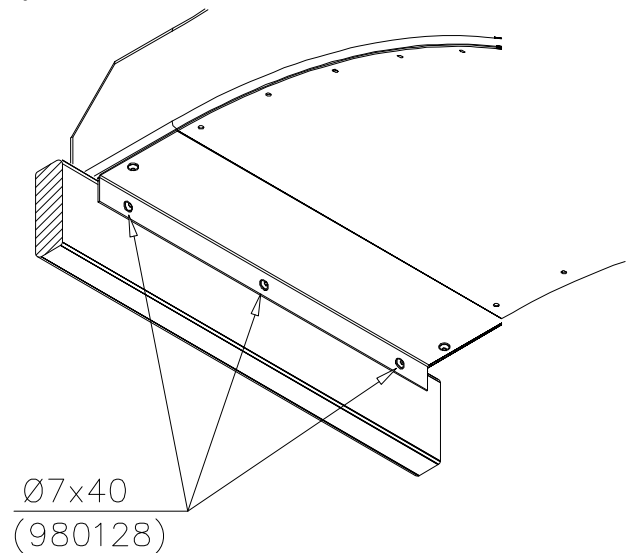
DET 4



DET 5



DET 6

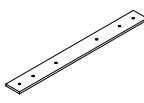
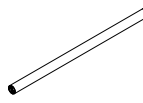


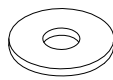
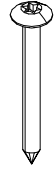


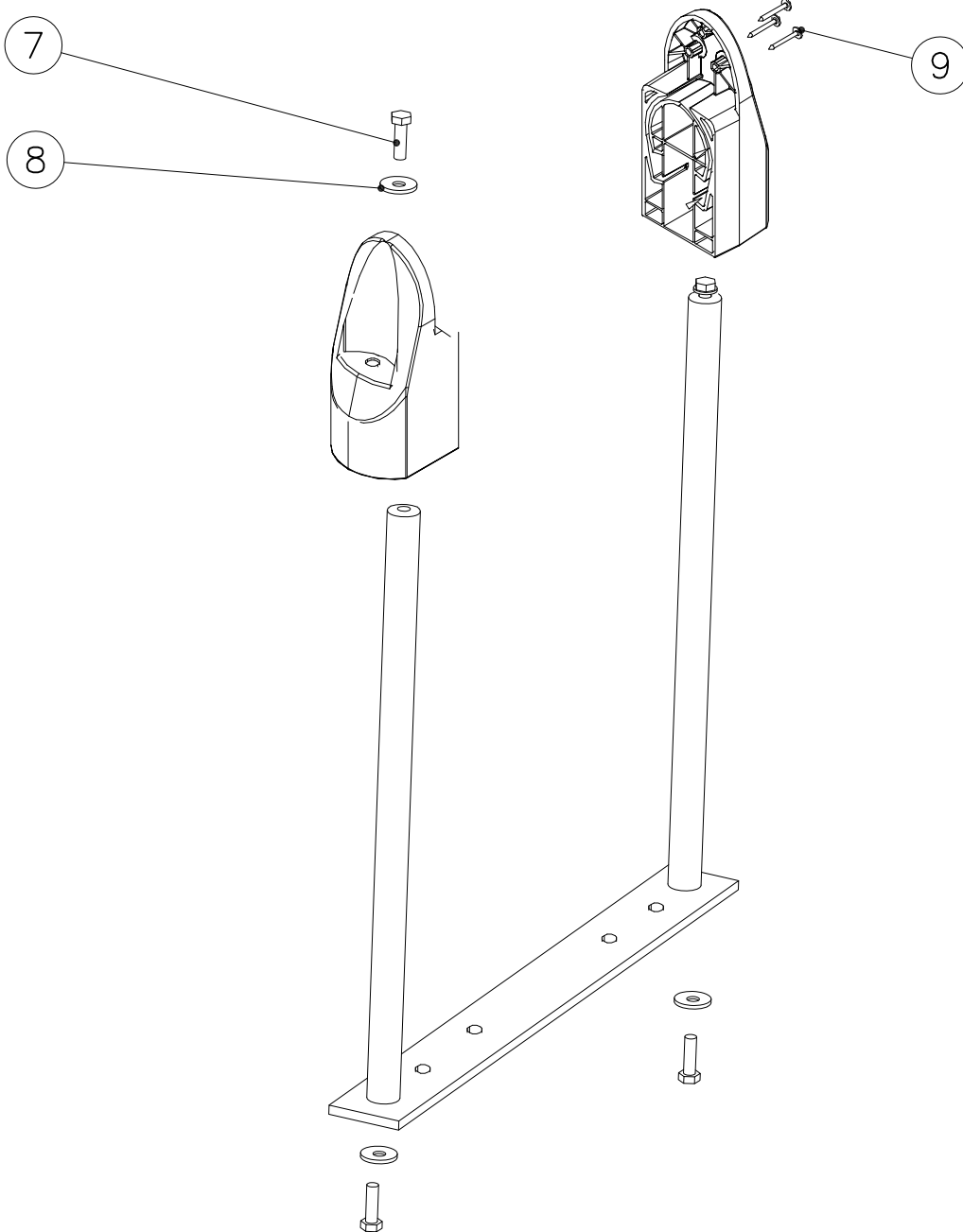
LAPPSET

DEEP FOUNDATION

DATE: 21.9.2016

4(5)

○ 707133	PCS	○ 901868	PCS	○ 901879	PCS	⑦ 909210	PCS	⑧ 905051	PCS	⑨ 980128	PCS
	1		2		2		4		4		6
10x80x745		Ø30x598				M8x40		Ø24/8.4		Ø7x40	



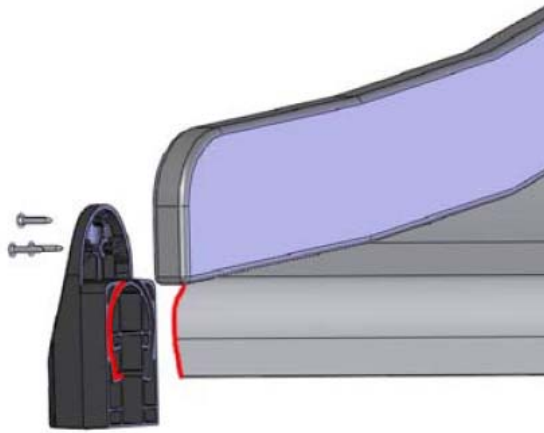
LAPPSET

DEEP FOUNDATION

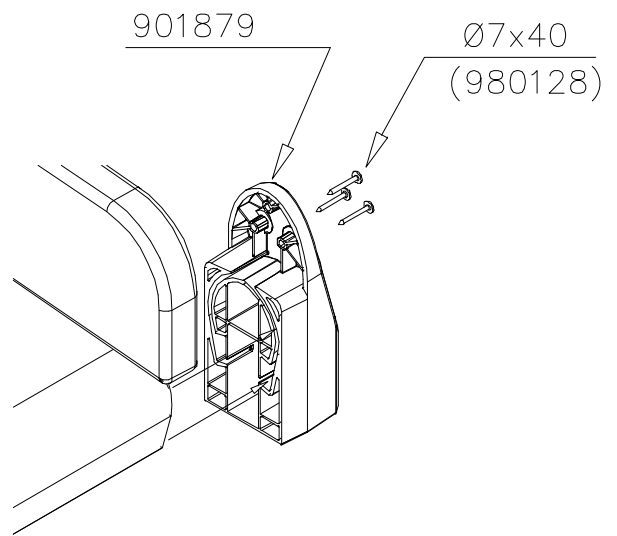
DATE: 21.9.2016

5(5)

DET 7



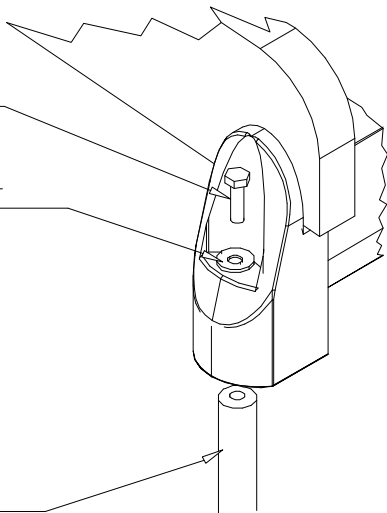
Insert sheet metal IN to the plastic cover.



DET 8

M8x40
(909210)
Ø24/8.4
(905051)

901868



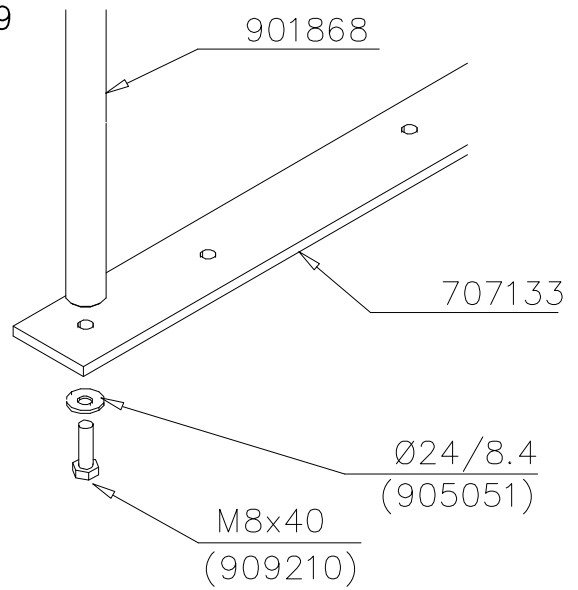
DET 9

901868

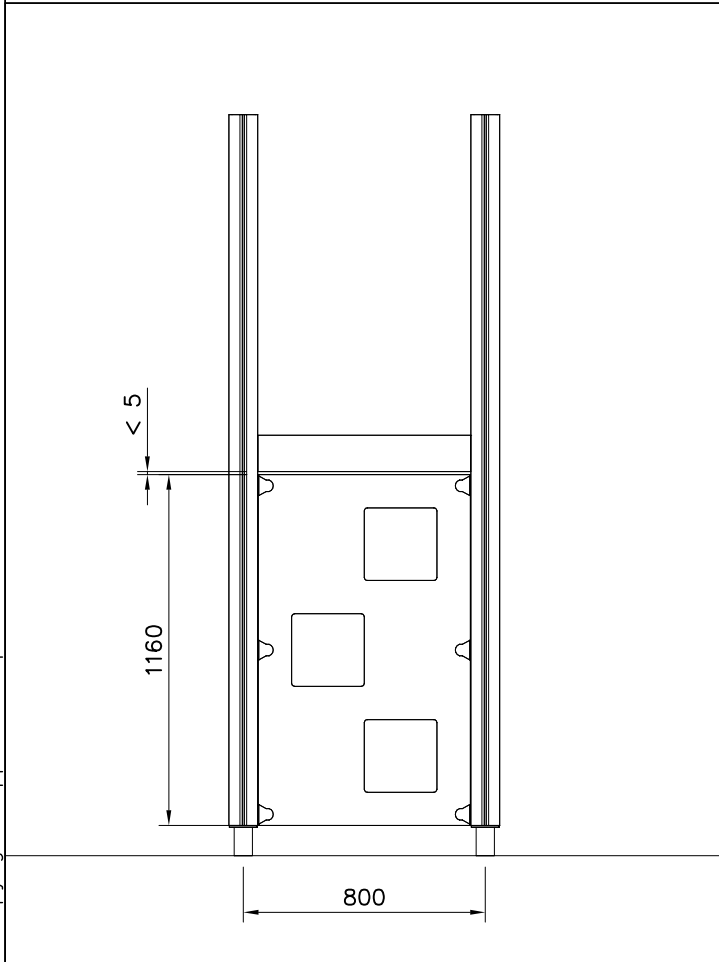
707133

Ø24/8.4
(905051)

M8x40
(909210)

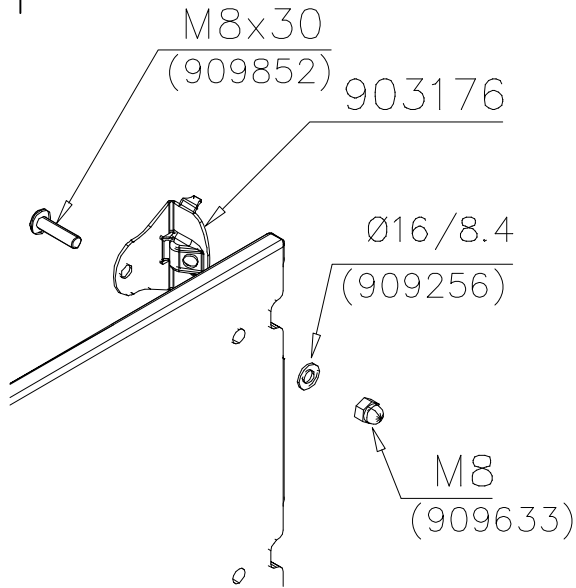


① 903176	PCS	② 909852	PCS
	6		6
		M8x30	
③ 909256	PCS	④ 909633	PCS
	6		6
Ø16/8.4x1.6		M8	
⑤ 980123	PCS		PCS
	6		
Ø7x60			
	PCS		PCS

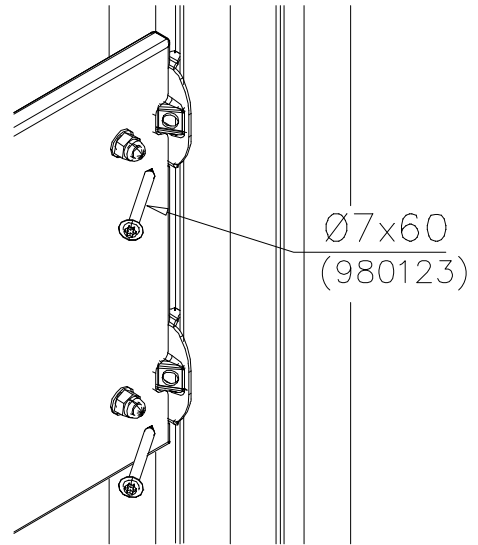


WALL OPTIONS		
706507	706507-701	BLUE
	706507-702	YELLOW
	706507-703	LIME
	706507-704	DARK GRAY
	706507-705	LIGHT GRAY
	706507-706	RED
	706507-707	GREEN
	706507-708	FUXIA
20x702x1160		

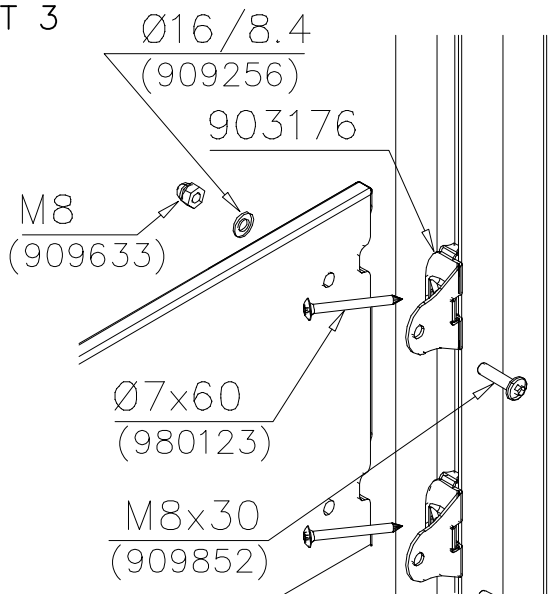
DET 1

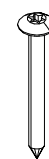
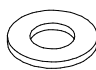


DET 2

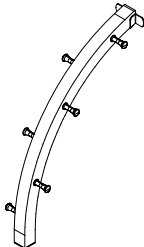


DET 3



①	706475	PCS	②	980128	PCS
		1			6
				Ø7x40	
③	909256	PCS			PCS
		6			
				Ø16/8.4	
		PCS			PCS
		PCS			PCS

OPTIONS

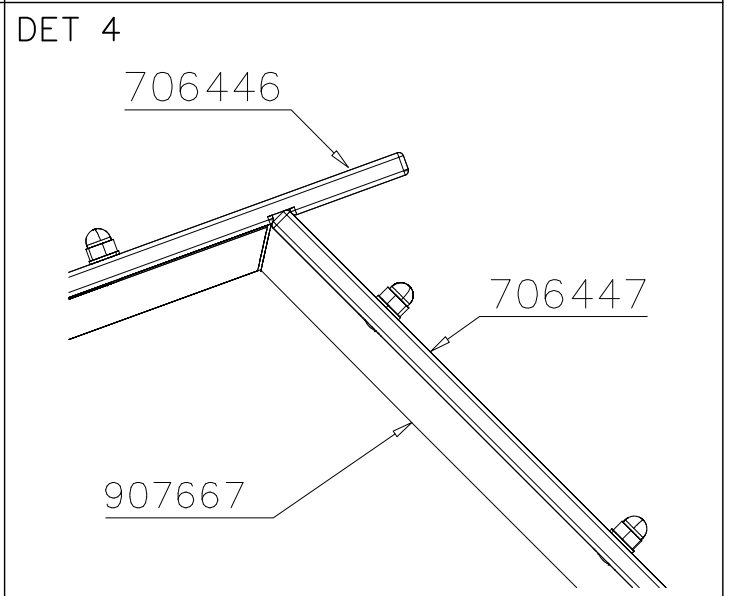
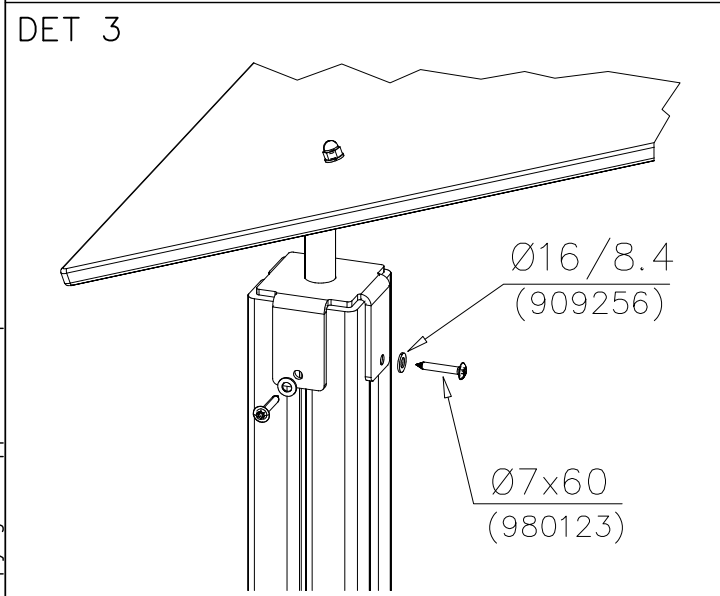
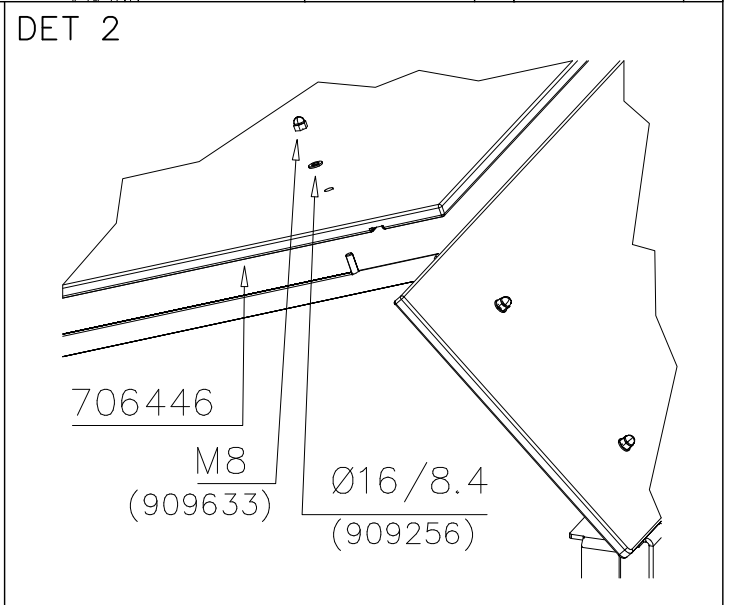
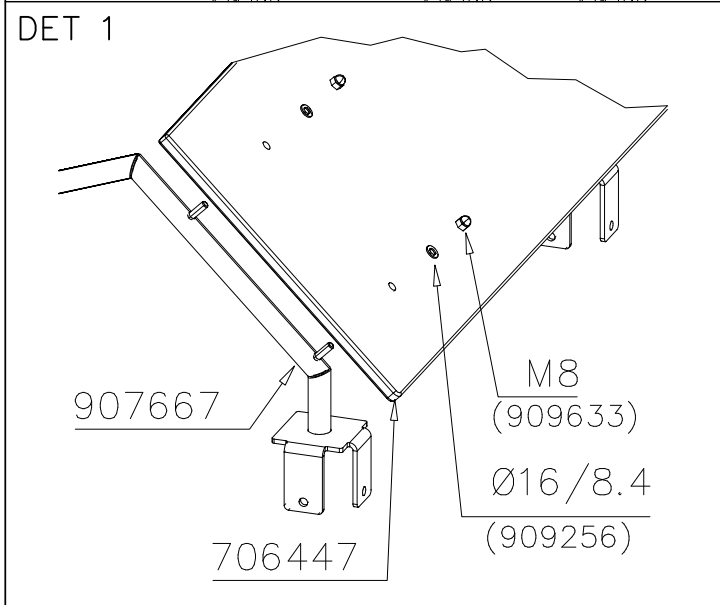
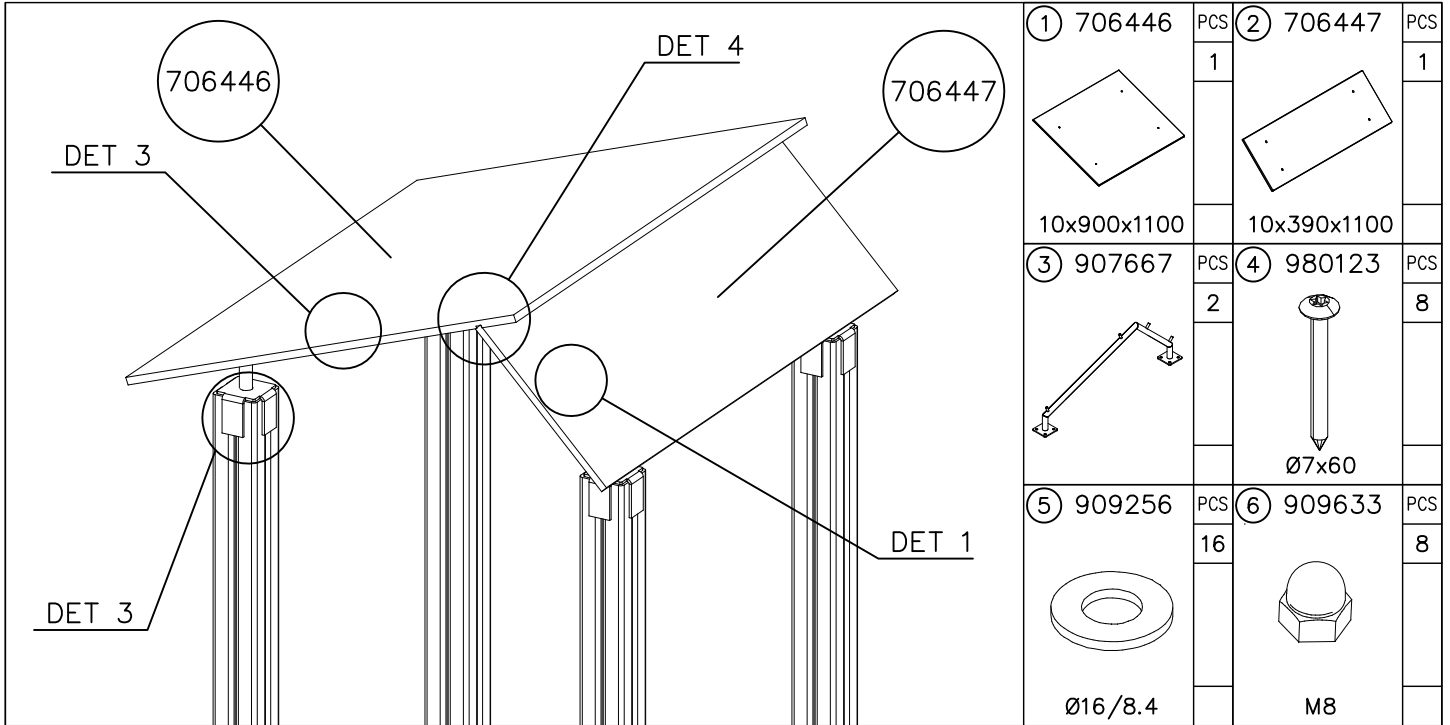
 706475	<table border="0"> <tr> <td style="padding-right: 20px;">706475-602</td> <td>DARK BROWN</td> </tr> <tr> <td style="padding-right: 20px;">706475-603</td> <td>LIGHT BROWN</td> </tr> <tr> <td style="padding-right: 20px;">706475-604</td> <td>LIGHT GRAY</td> </tr> </table>	706475-602	DARK BROWN	706475-603	LIGHT BROWN	706475-604	LIGHT GRAY
706475-602	DARK BROWN						
706475-603	LIGHT BROWN						
706475-604	LIGHT GRAY						

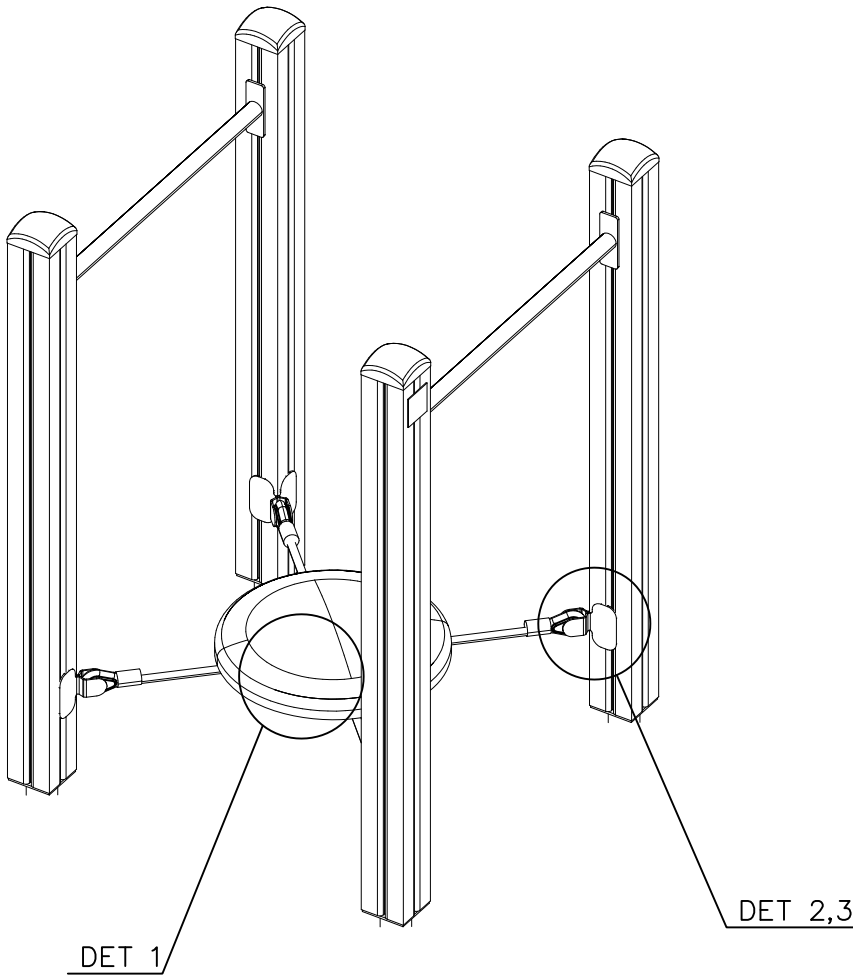
DET 1

Ø16/8.4
(909256)

Ø7x40
(980128)

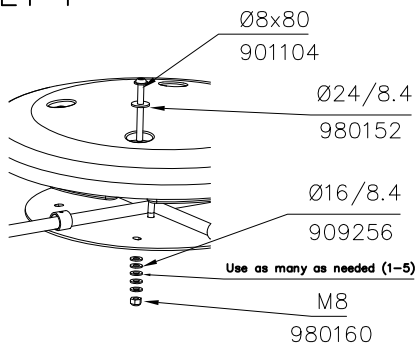
706475



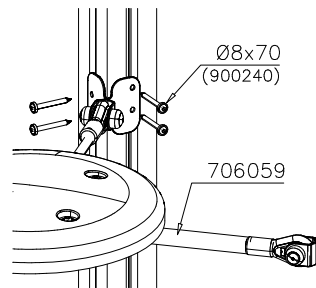


①	929561	PCS	②	909568	PCS
		8			4
				M8x55	
③	901104	PCS	④	900240	PCS
		4			16
	M8x80			Ø8x70	
⑤	905083	PCS	⑥	909256	PCS
		8			28
	Ø32			Ø16/8.4	
⑦	980152	PCS	⑧	980160	PCS
		4			4
	Ø24/8.4			M8	
⑨	905112	PCS	⑩	909633	PCS
		8			4
	Ø22			M8	
		PCS			PCS
		PCS			PCS
		PCS			PCS

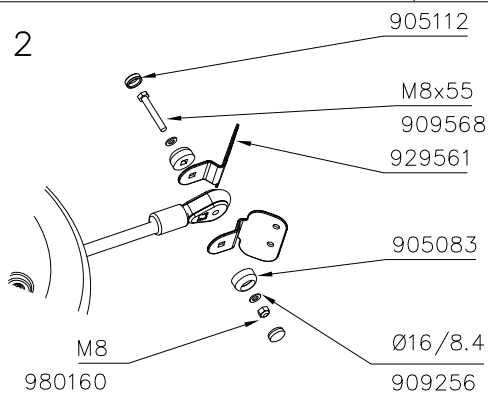
DET 1

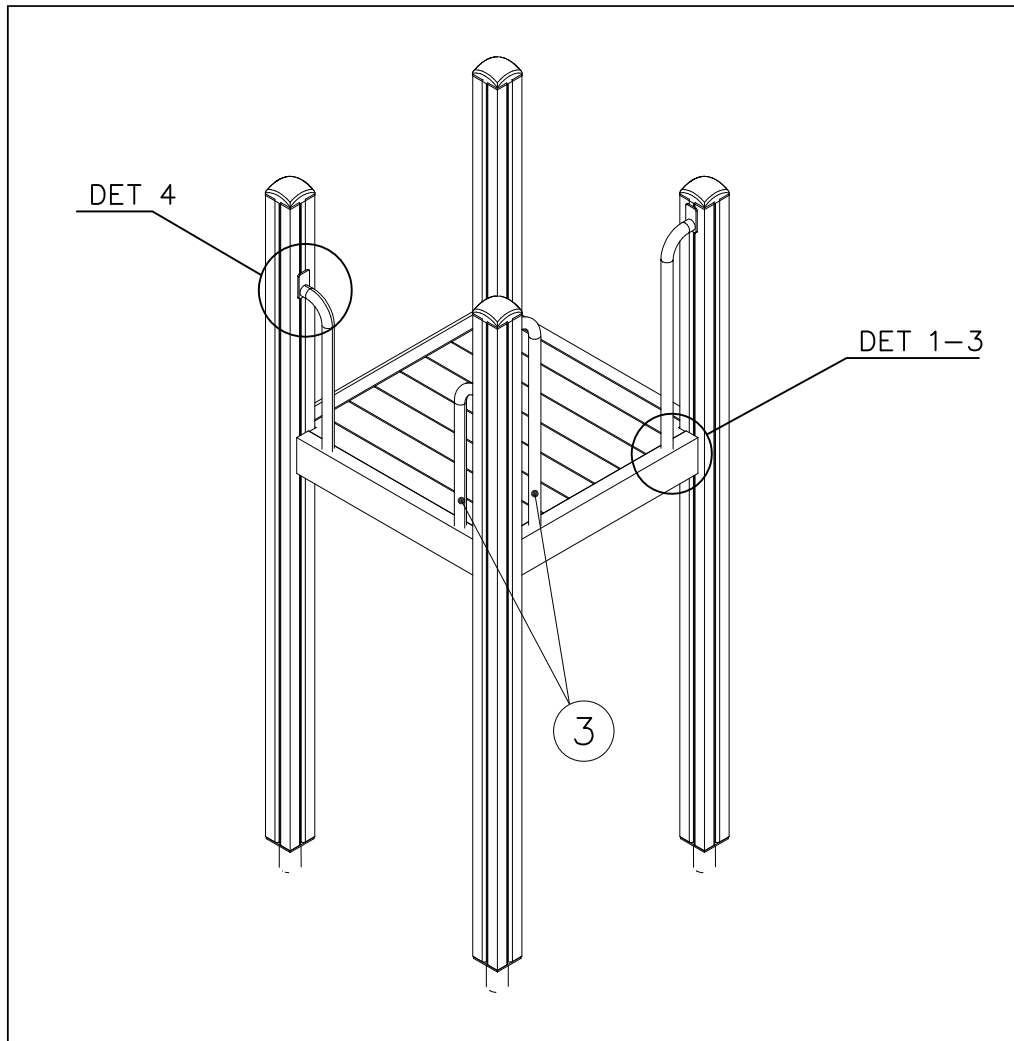


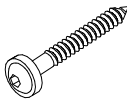



DET 3

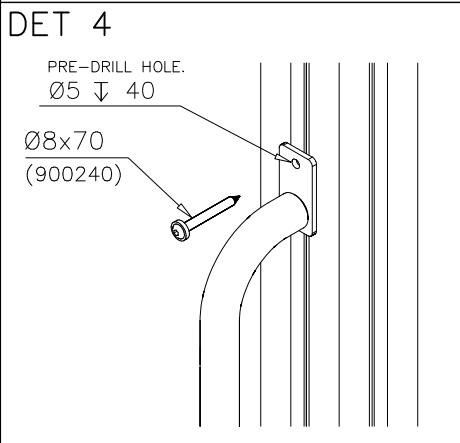
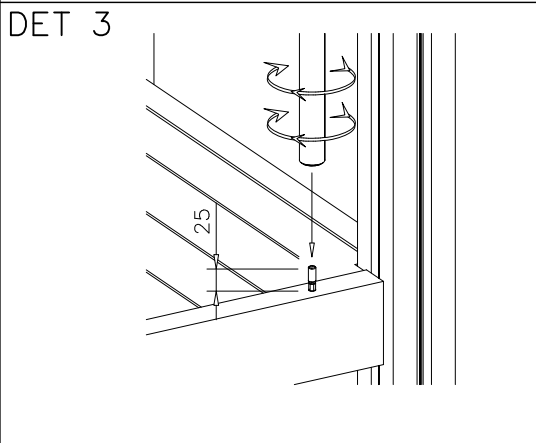
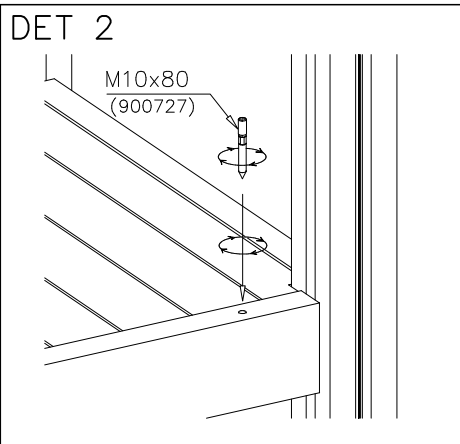
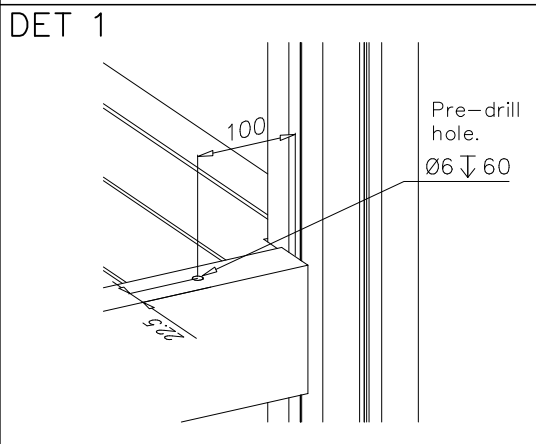


DET 2





① 900240	PCS	② 900727	PCS
	1		1
Ø8x70		M10x80	
	PCS		PCS
③ 907688	PCS	③ 907701	PCS
	1		1
765		545	
	PCS		PCS
	PCS		PCS
	PCS		PCS
	PCS		PCS

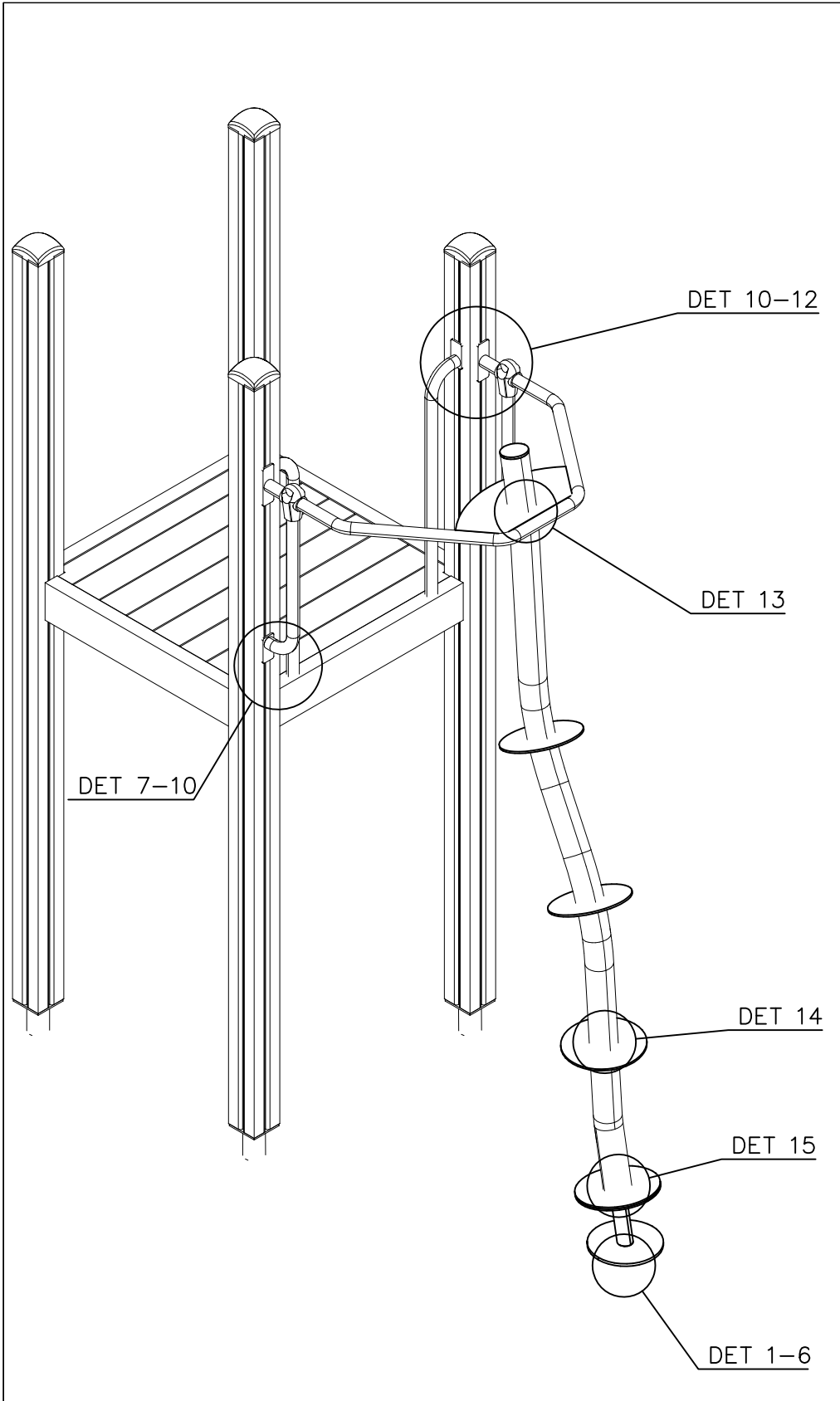


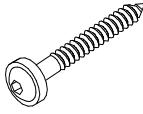
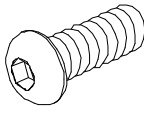
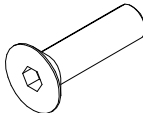

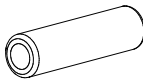
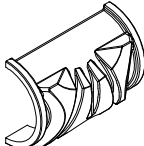
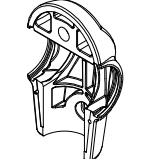
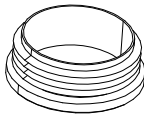
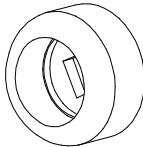
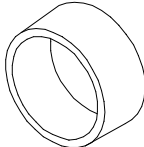
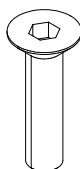
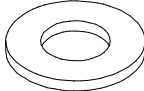
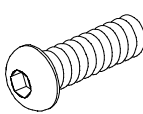
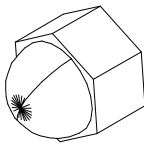
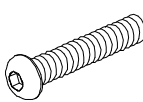


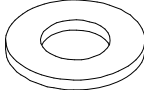


LAPPSET® FASTENER KIT

707854

DATE: 12.5.2016

1(4)



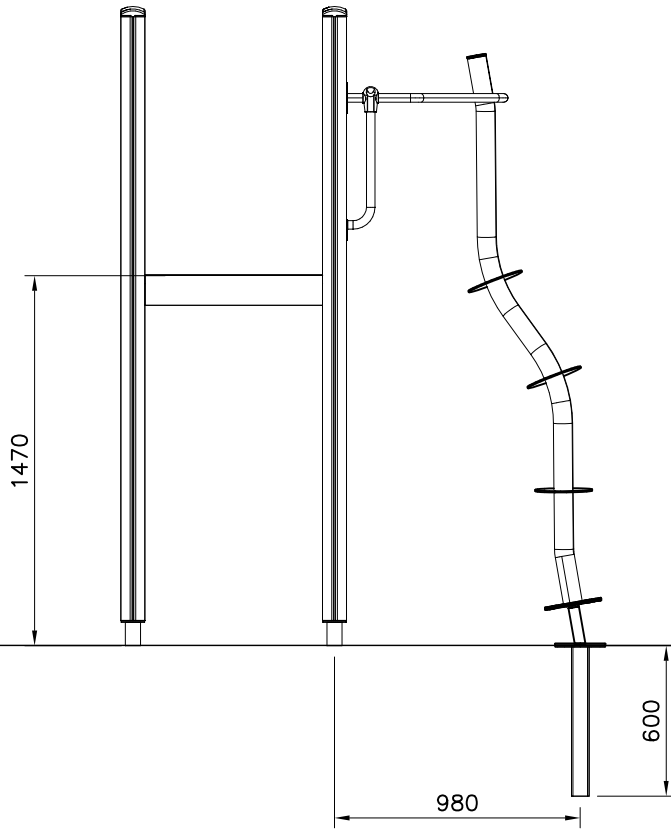
① 900240	PCS	② 900342	PCS
	8		4
Ø8x70		M8x16	
③ 900348	PCS	④ 900727	PCS
	18		2
M8x30		M10x80	
⑤ 901182	PCS	⑥ 901900	PCS
	2		4
Ø11/M8x40		20.5x36.2x56	
⑦ 901902	PCS	⑧ 904800	PCS
	4		1
30.7x60.9x100		Ø76x25	
⑨ 905083	PCS	⑩ 905112	PCS
	4		4
Ø32		Ø22	
⑪ 905857	PCS	⑫ 909256	PCS
	6		32
M8x35		Ø16/8.4x1.6	
⑬ 909850	PCS	⑭ 909633	PCS
	2		24
M8x25		M8	
⑮ 909855	PCS	⑯ 980160	PCS
	4		6
M8x35		M8	
⑰ 909628	PCS	⑱ 909638	PCS
	4		8
M10x100	SURF	Ø20/10.5	DEEP
⑰ 909628	PCS	⑳ 909637	PCS
	4		4
M10x30	DEEP	M10	DEEP

LAPPSET® FASTENER KIT

707854

DATE: 12.5.2016

2(4)

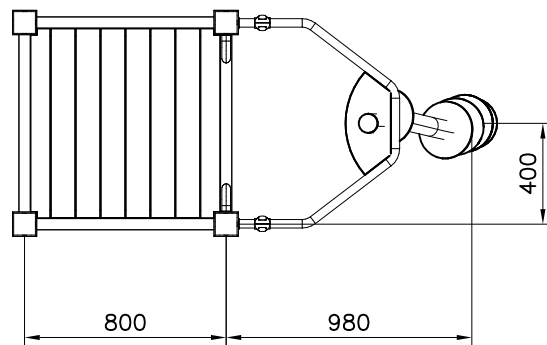


○ 706706	PCS
	8
15x129x260	

○ 907688	PCS
	2
40x765x114	

○ 908240	PCS
	1
837x642x120	

○ 706433	PCS
	1
15x180x405	



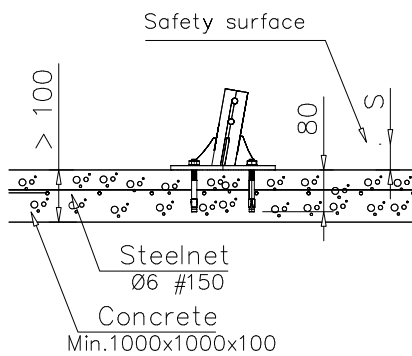
○ 907765	PCS
	1

○ 908237	PCS
	1
400x226x2203	

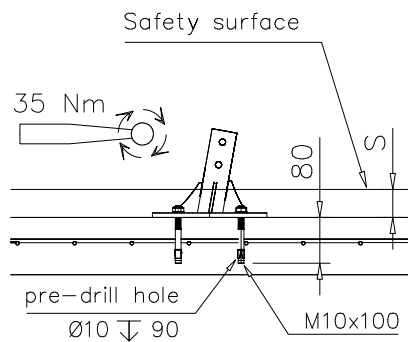
○ 908242	PCS
	2
114x40x545	

○ 907872	PCS
	1
Ø200x597	DEEP

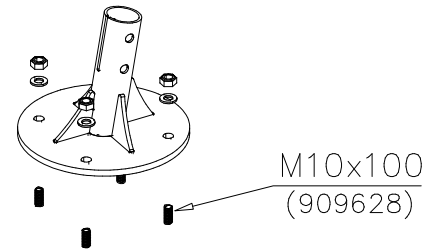
DET 1 SURFACE



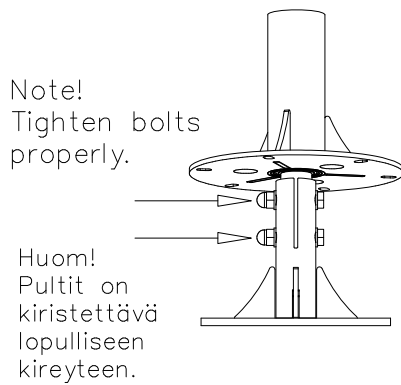
DET 2 SURFACE



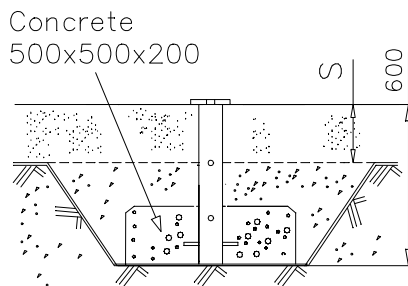
DET 3 SURFACE



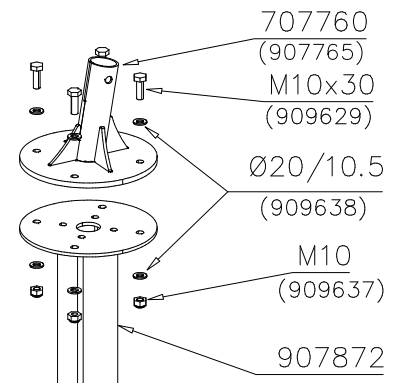
DET 4 DEEP/SURFACE



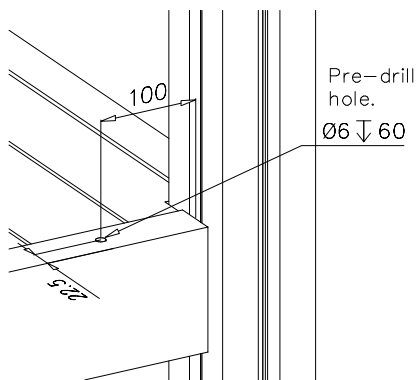
DET 5 DEEP



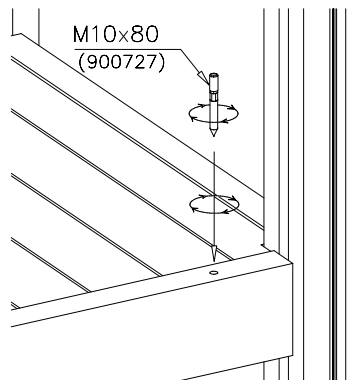
DET 6 DEEP



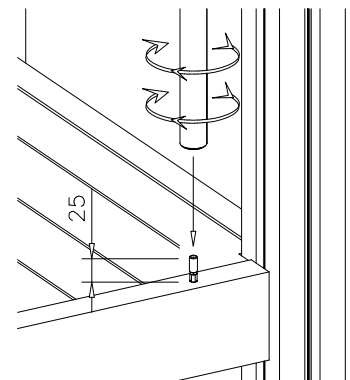
DET 7



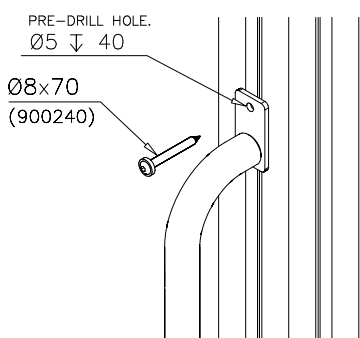
DET 8



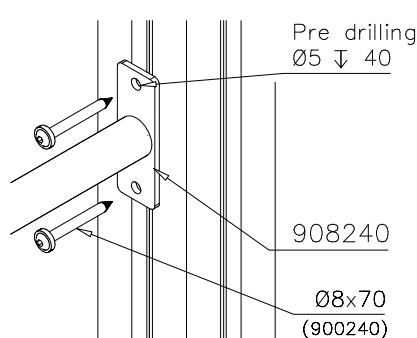
DET 9



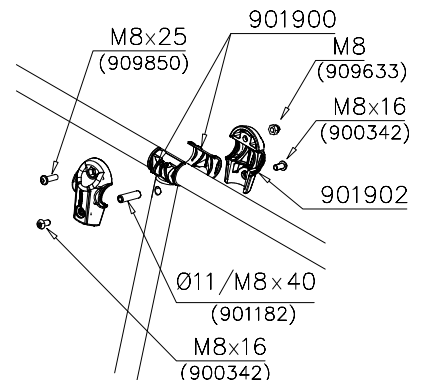
DET 10



DET 11



DET 12



LAPPSET®

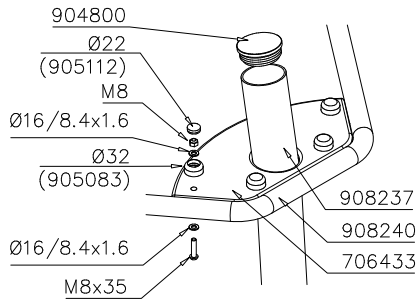
FASTENER KIT

707854

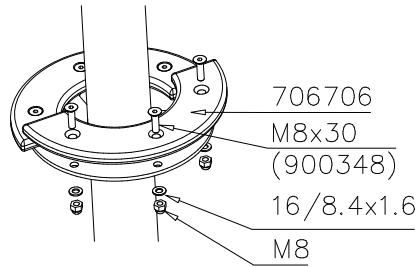
DATE: 12.5.2016

4(4)

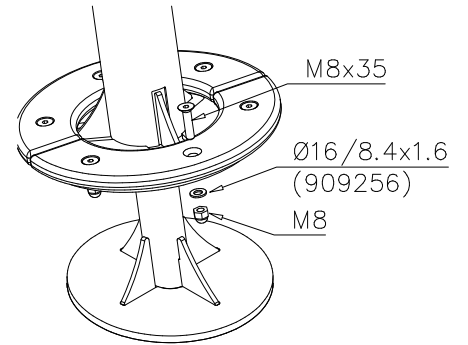
DET 13



DET 14



DET 15

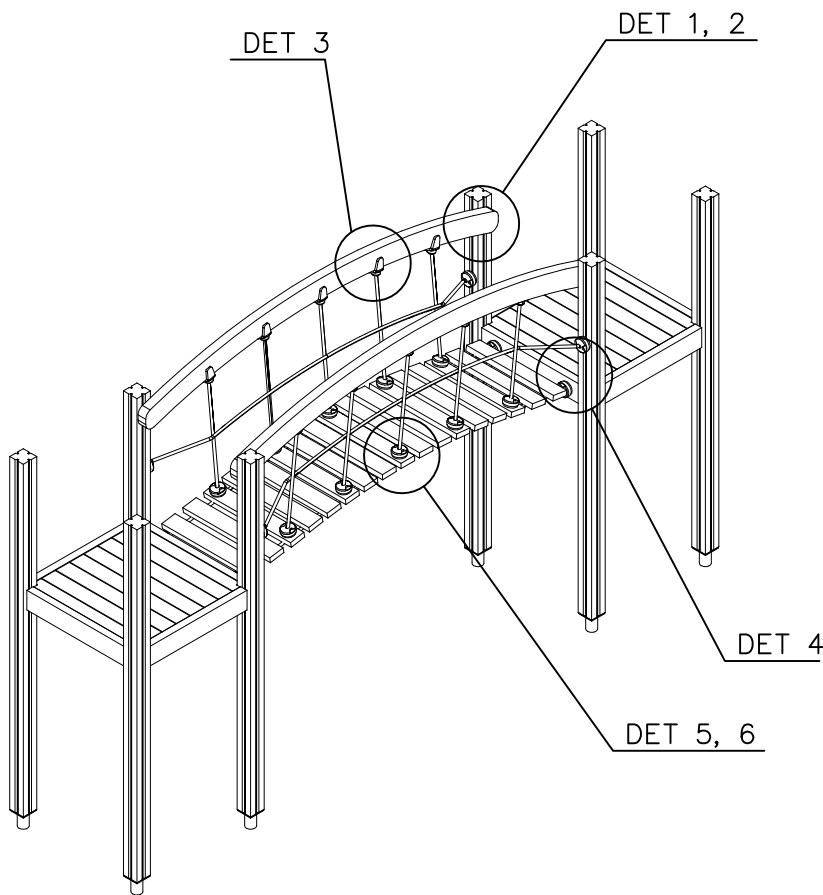


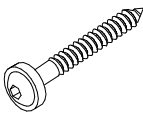
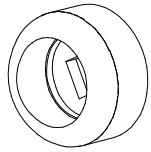
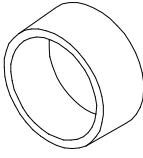

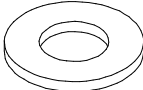
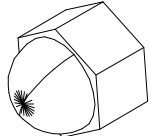
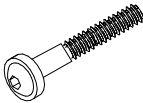
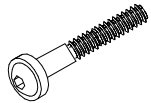


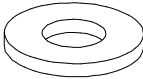
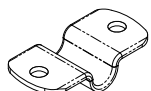

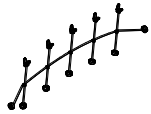
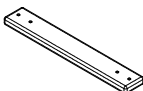

LAPPSET® FASTENER KIT

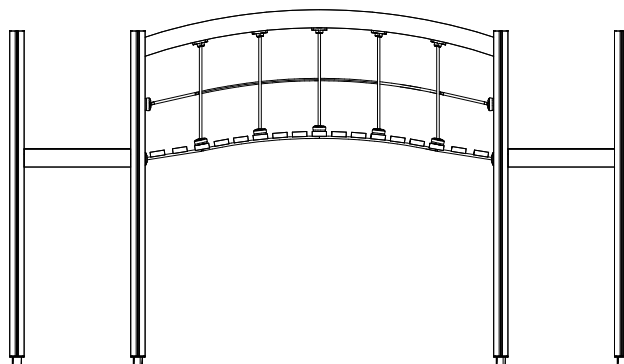
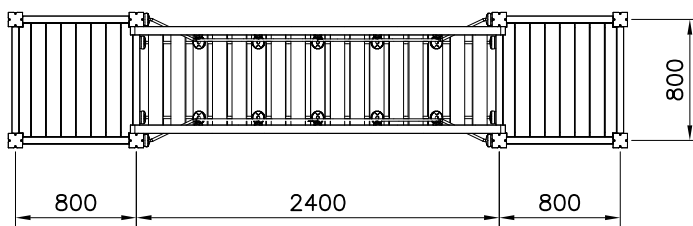
707876

DATE: 5.5.2016

1(2)



① 900240  Ø8x70	PCS 16	② 905090  Ø45	PCS 4
③ 905115  Ø30	PCS 4	④ 909223  12x130	PCS 4
⑤ 909256  Ø16/8.4x1.6	PCS 68	⑥ 909633  M8	PCS 68
⑦ 909867  M8x70	PCS 20	⑧ 909876  M8x40	PCS 48
⑨ 980123  Ø7x60	PCS 20	⑩ 980128  Ø7x40	PCS 10
⑪ 980154  Ø24/13	PCS 4	⑫ 908295  82x40x17x3	PCS 34
○ 707584  55x120x2480	PCS 2	○ 707604  685x2394	PCS 2
○ 707607  32x95x612	PCS 17	○ 707608  Ø16x2374	PCS 2



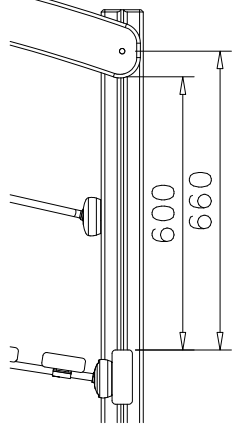
LAPPSET® FASTENER KIT

707876

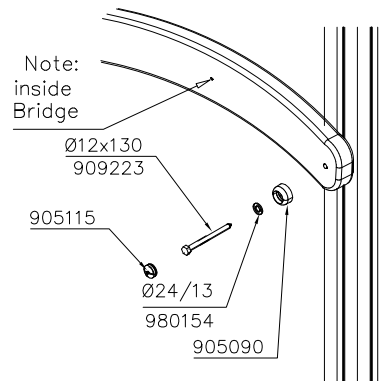
DATE: 5.5.2016

2(2)

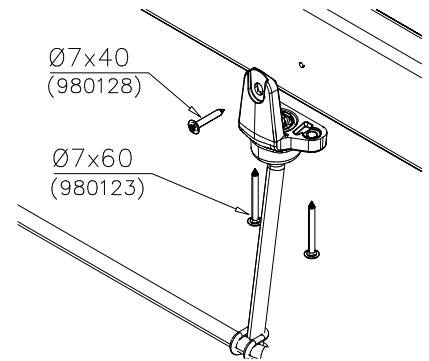
DET 1



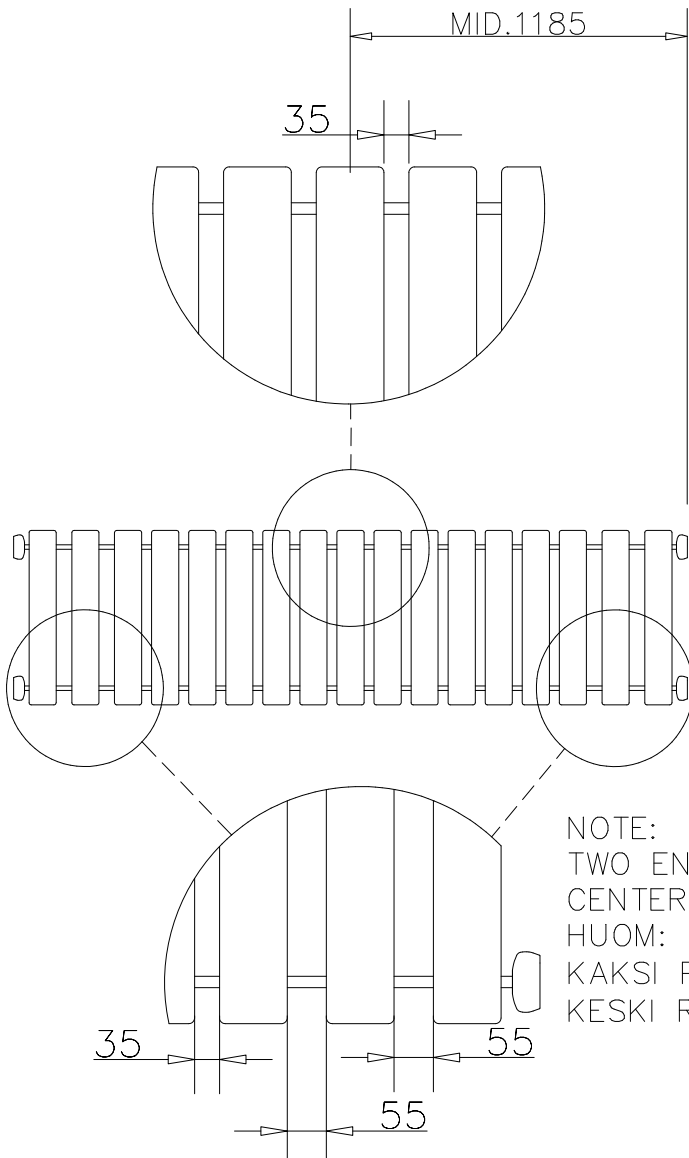
DET 2



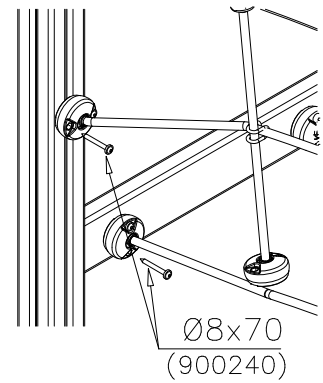
DET 3



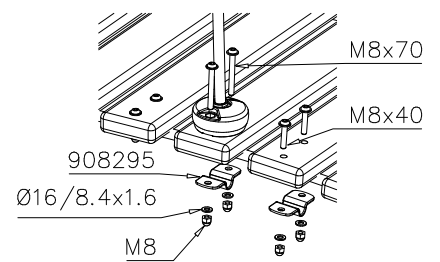
DET 6



DET 4



DET 5



NOTE:
TWO END GAPS 55mm,
CENTER GAPS 35mm
HUOM:
KAKSI PÄÄTY RAKOA 55mm,
KESKI RAOT 35mm



Tuotekyltti tulee tuotteen mukana yhdellä seuraavista tavoista:

1) Metallinen tuotekyltti ja kiinnitysruuvit

- Kiinnitä tuotekyltti ruuveilla tolppaan noin 2 metrin korkeuteen kuvan 1 mukaisesti.

2) Tuotekyltitarra

- Puhdista maalattu metalli- tai vaneripinta pölystä ja kosteudesta. Liimaa tarra kuvan 2 mukaisesti.
- Huom. Älä kiinnitä tarraa karheapintaiseen laminaattiin tai maalattuun puuhun.

Vår produktmärkning levereras på ett av följande sätt:

1) Produktskylt i metall

- Fäst skylten med de medföljande skruvarna

2) Självhäftande produktetikett

- Rengör den pulverlackerade metallytan eller laminatyten så att den blir fri från smuts och fukt. Fäst etiketten enligt fig. 2.
- Obs! Fäst ej etiketten på detaljer med skrovlig yta eller på målat trä.

Product label is delivered by one of following ways:

1) Metal product label and screws

- Fasten the label with screws.

2) Label sticker

- Clean the painted metal or plywood surface from dirt and moisture. Fasten the sticker as shown in the figure 2.
- Note. Do not attach the sticker to rough surfaced laminate or painted wood.

La plaque d'informations produit est livrée sous l'une de ces 3 formes :

1) Plaque métallique et vis

- Fixez la plaque à l'aide des vis.

2) Etiquette autocollante

- Avant de coller l'étiquette, nettoyez le composant métallique peint ou la plaque de contreplaqué, de toute saleté. La surface doit être sèche (voir image 2).
- Attention, ne pas coller l'étiquette sur une surface lamellé-collée irrégulière ou sur du bois peint.

Die Auslieferung des Produktaufklebers erfolgt auf eine dieser Arten:

1) Produkt-Schild aus Metall incl. Schrauben

- Die Befestigung des Schildes erfolgt mittels der Schrauben.

2) Aufkleber

- Entfernen Sie zunächst Schmutz und Feuchtigkeit vom lackierten Metall bzw. von der Holzoberfläche und bringen Sie den Aufkleber wie im Bild oben rechts beschrieben auf den gesäuberten Untergrund auf.
- Beachten Sie: Bringen Sie den Aufkleber nicht auf raues laminiertes oder lackiertes Holz an.