

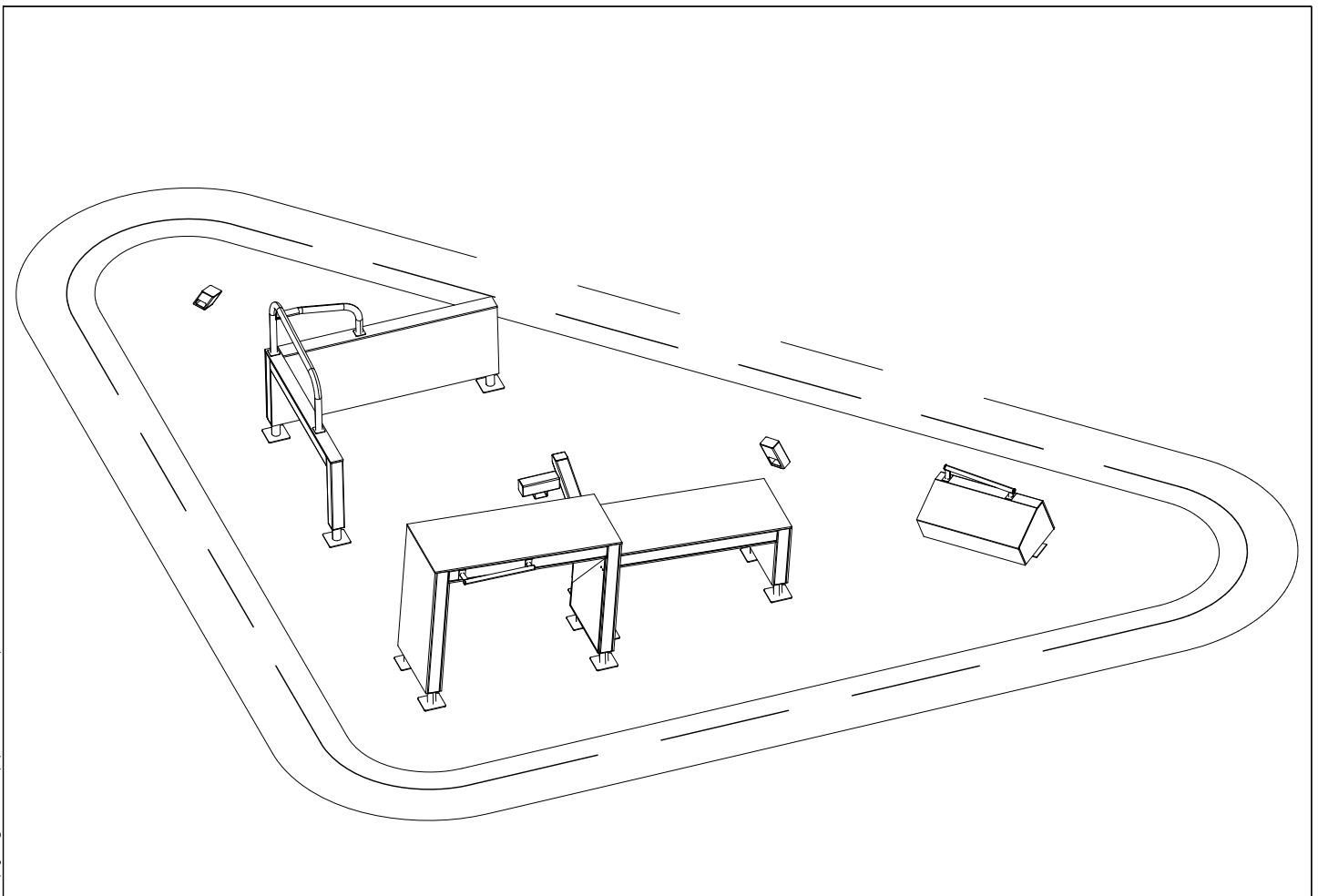
LAPPSET®

DASH PARKOUR

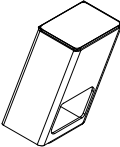
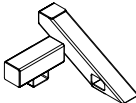
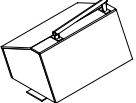
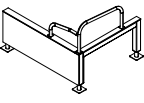
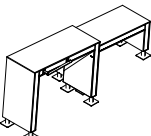





ASENNUSOHJE
MONTERINGSANSVISNING
INSTALLATION INSTRUCTION
AUFBAUANLEITUNG
NOTICE D'INSTALLATION

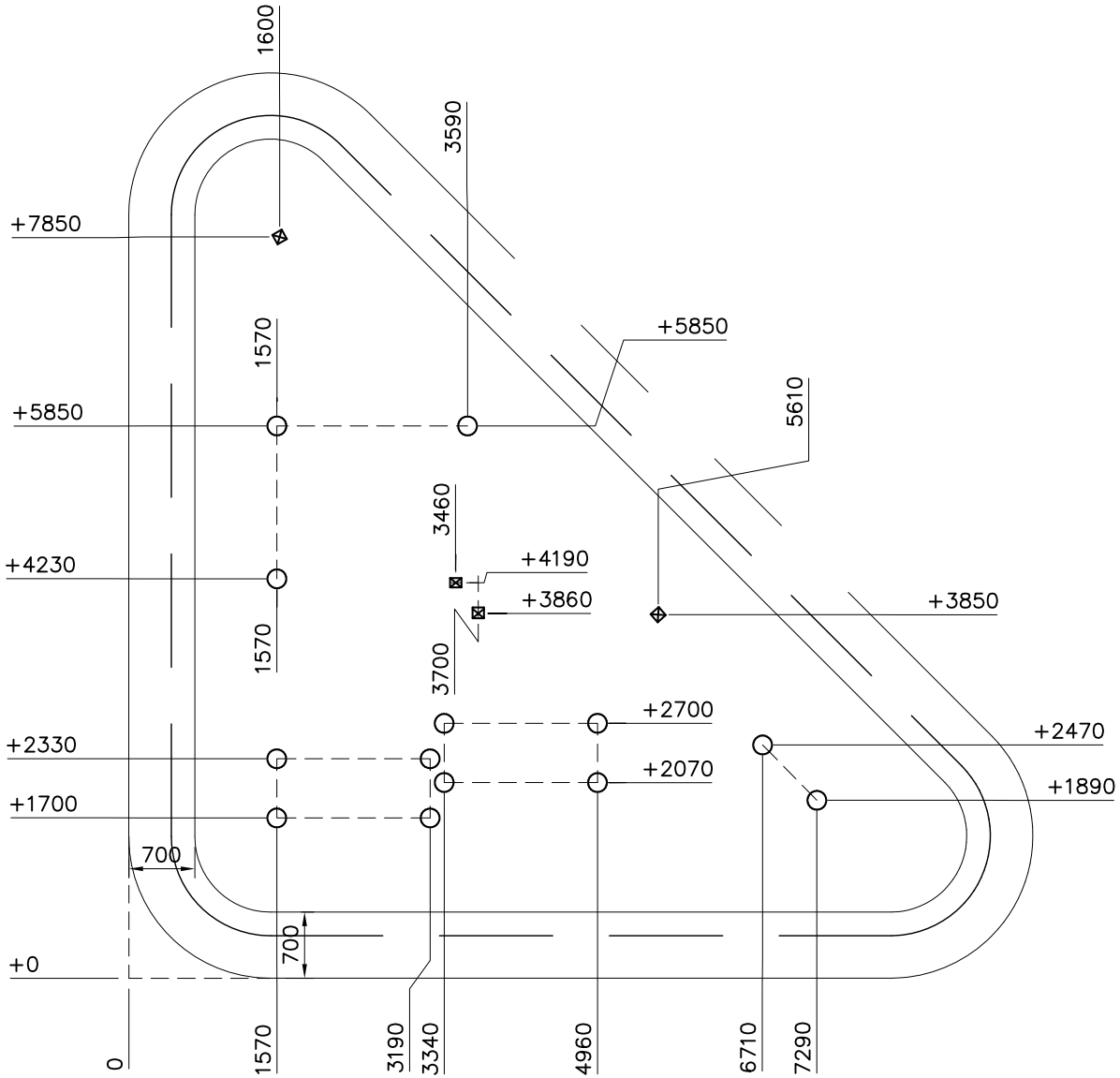
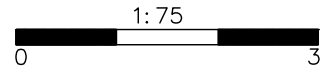
DATE: 13.12.2019

081764M

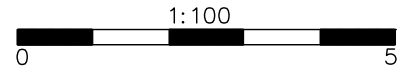


DATE: 13.12.2019

081700M	PCS	081701M	PCS	081702M	PCS	081727M	PCS	081736M	PCS		PCS
	2		1		1		1		1		
											
	PCS		PCS		PCS		PCS		PCS		PCS
	PCS		PCS		PCS		PCS		PCS		PCS
	PCS		PCS		PCS		PCS		PCS		PCS
	PCS		PCS		PCS		PCS		PCS		PCS



— Falling Space 56.7 m²
 Max Falling Height 1570 mm



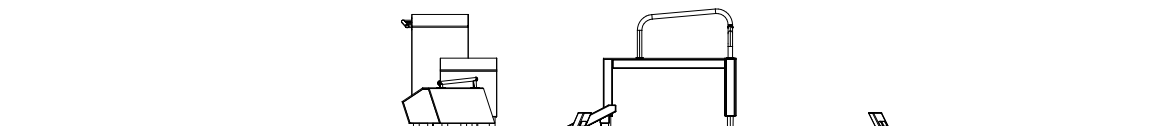
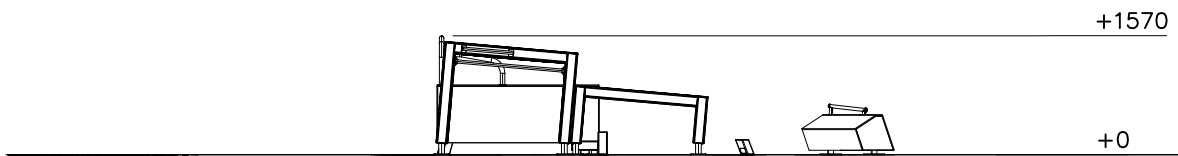
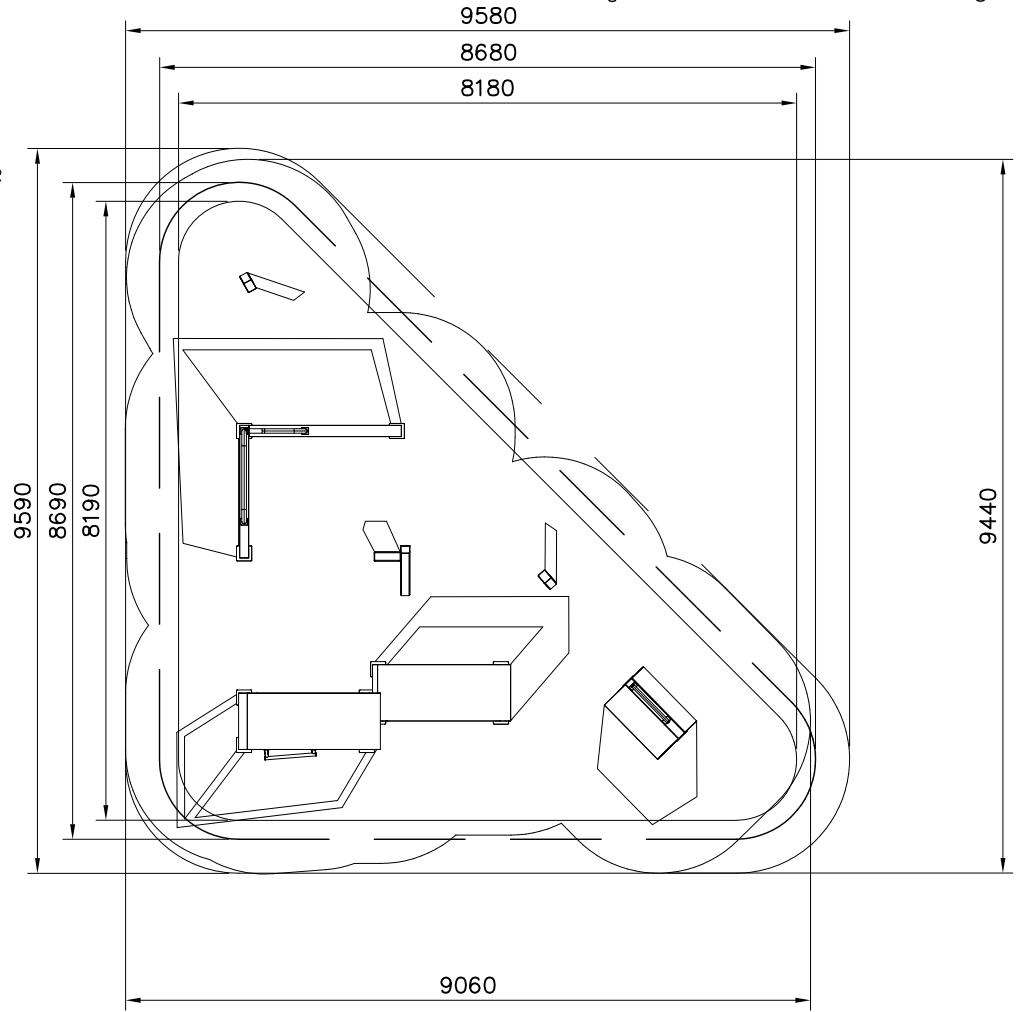
PRIMARY RULE:

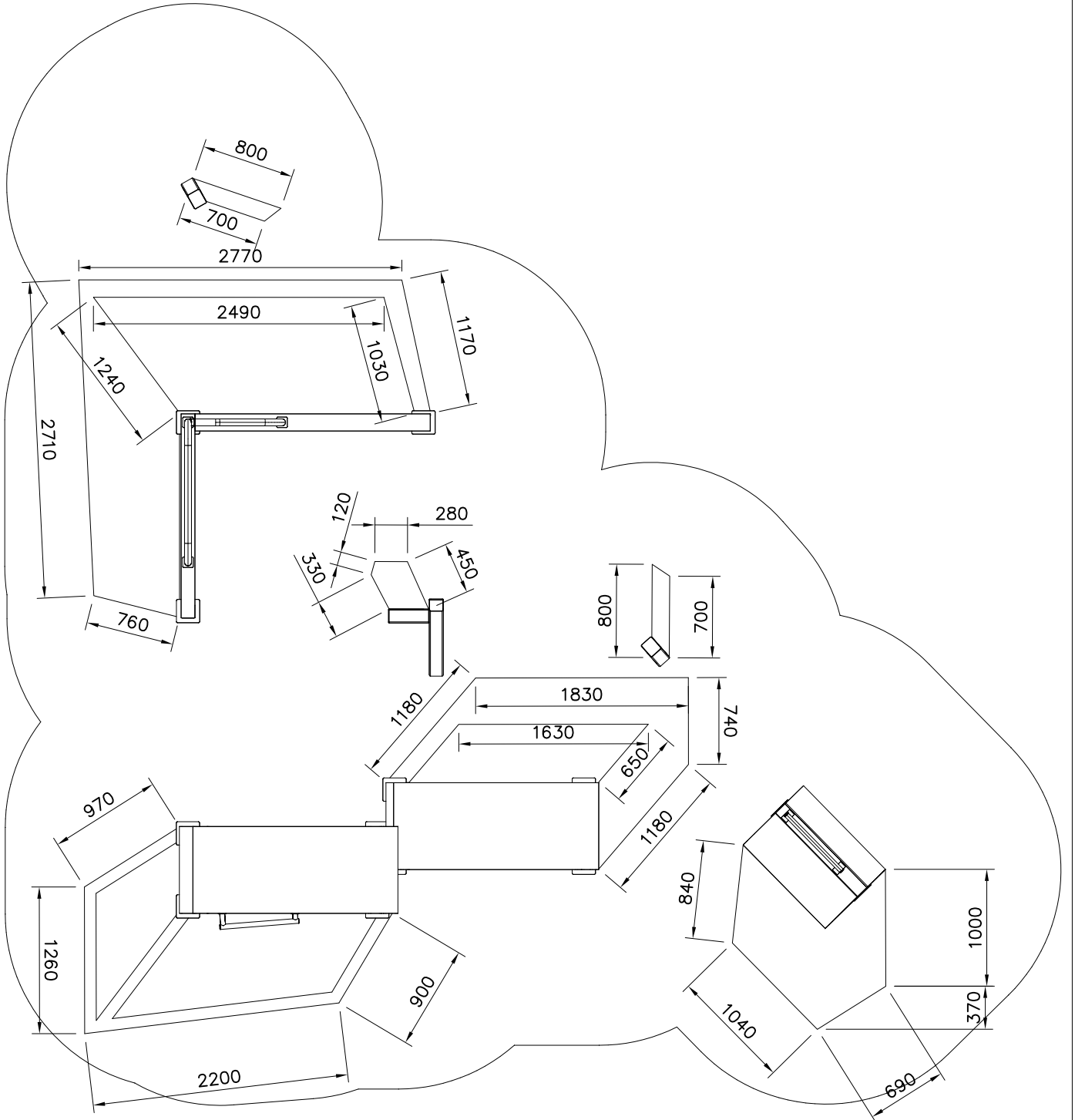
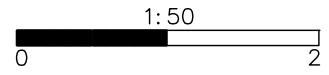
 YELLOW LINES TOGETHER

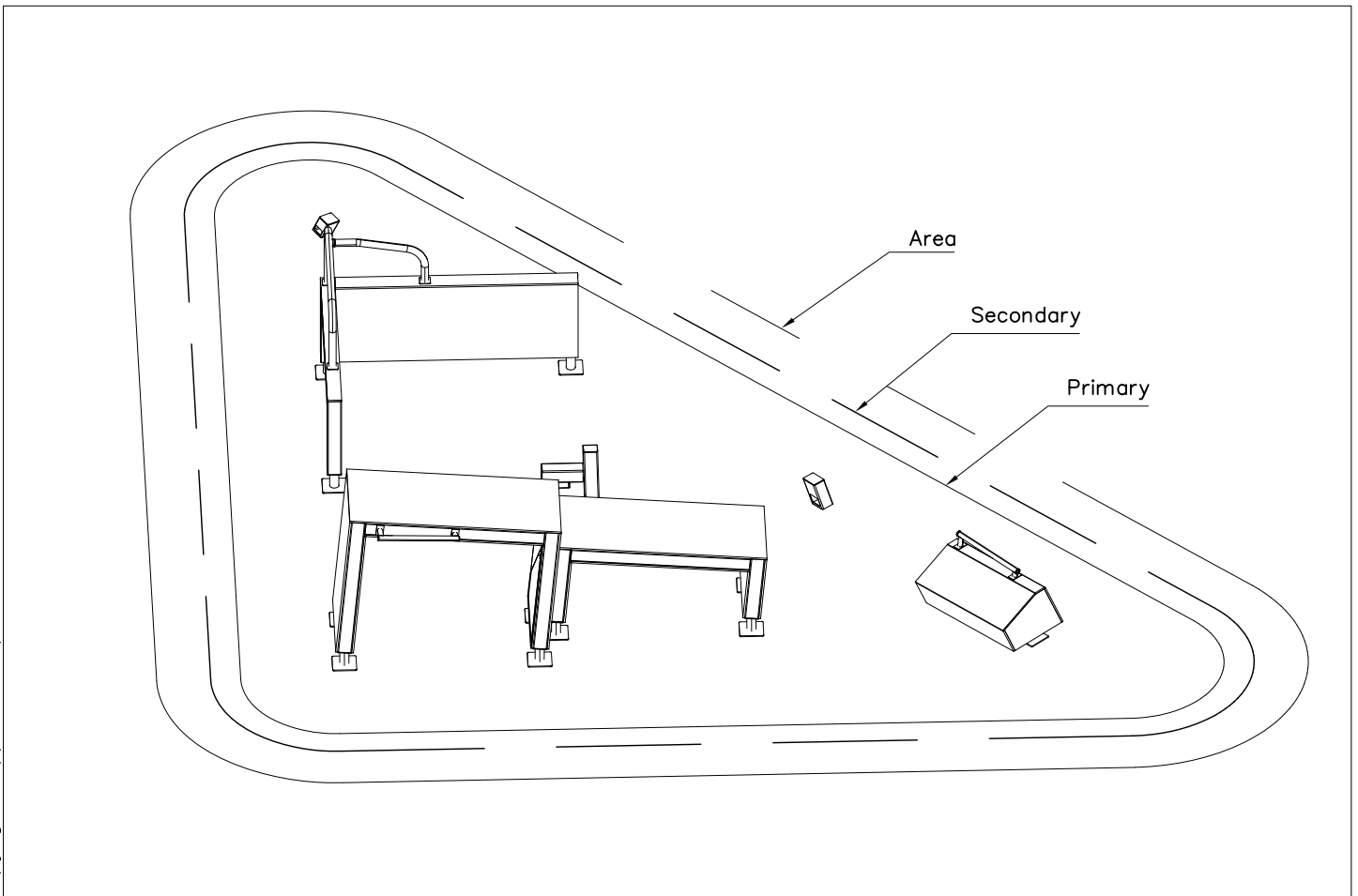
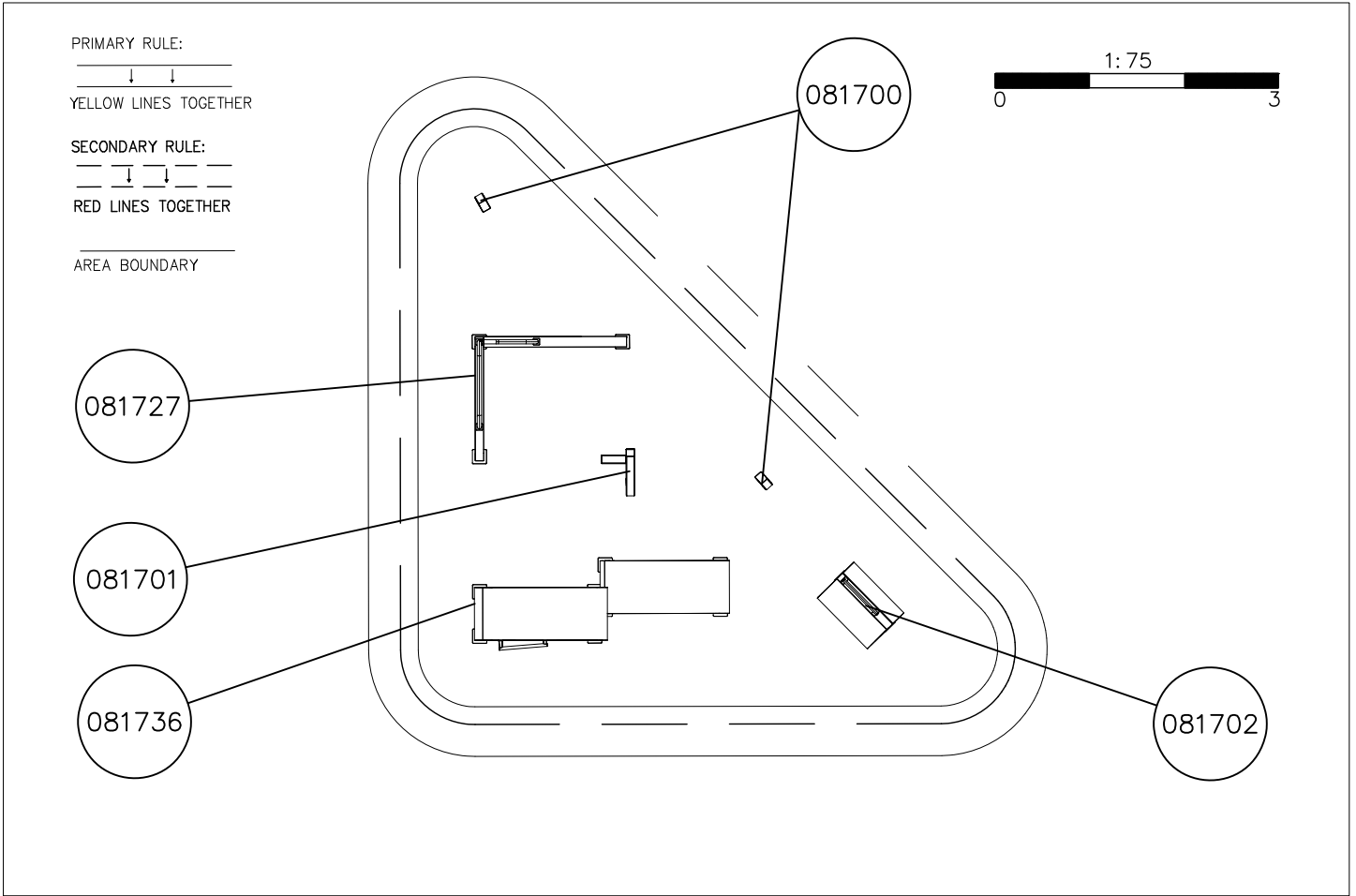
SECONDARY RULE:

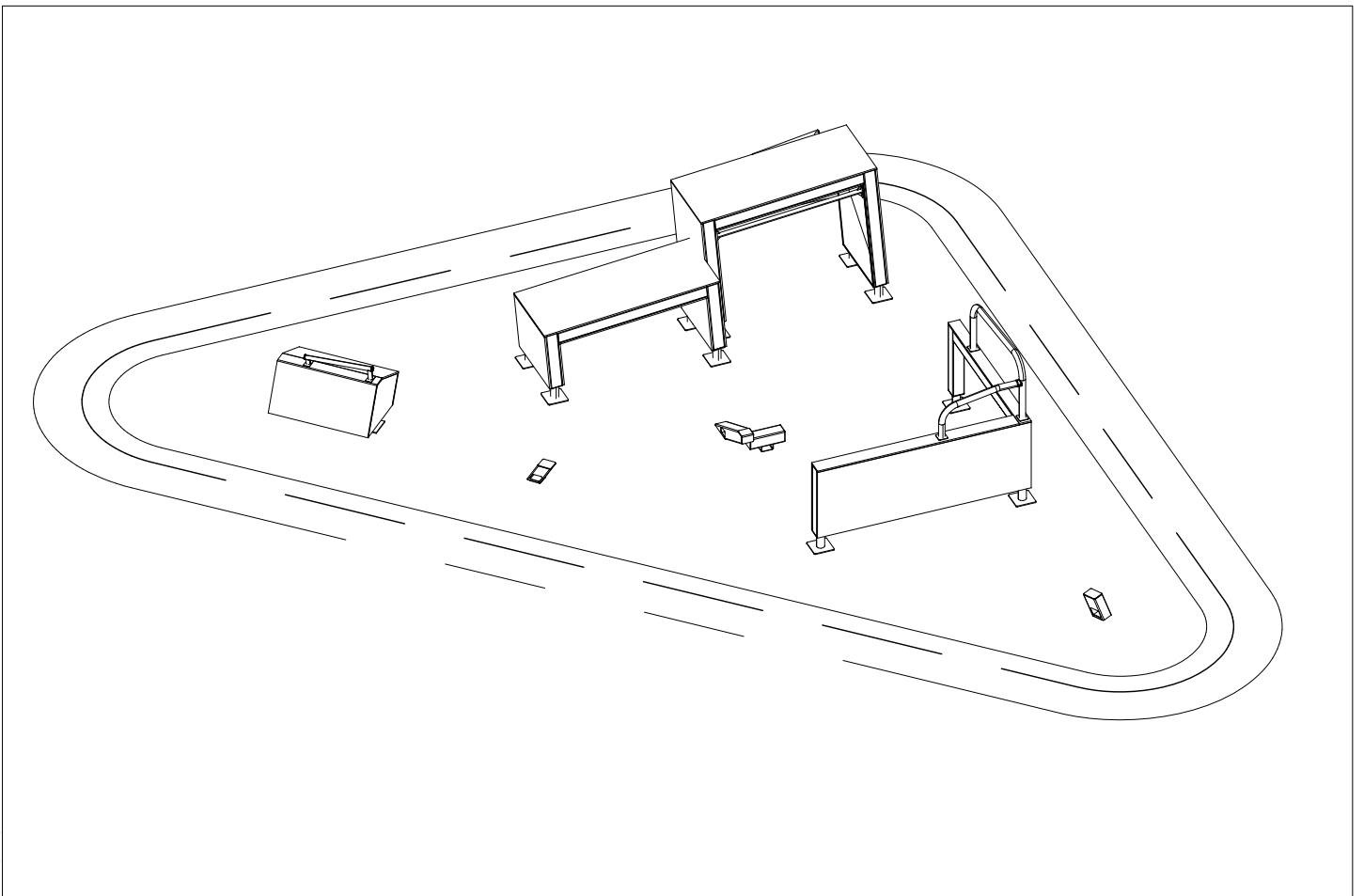
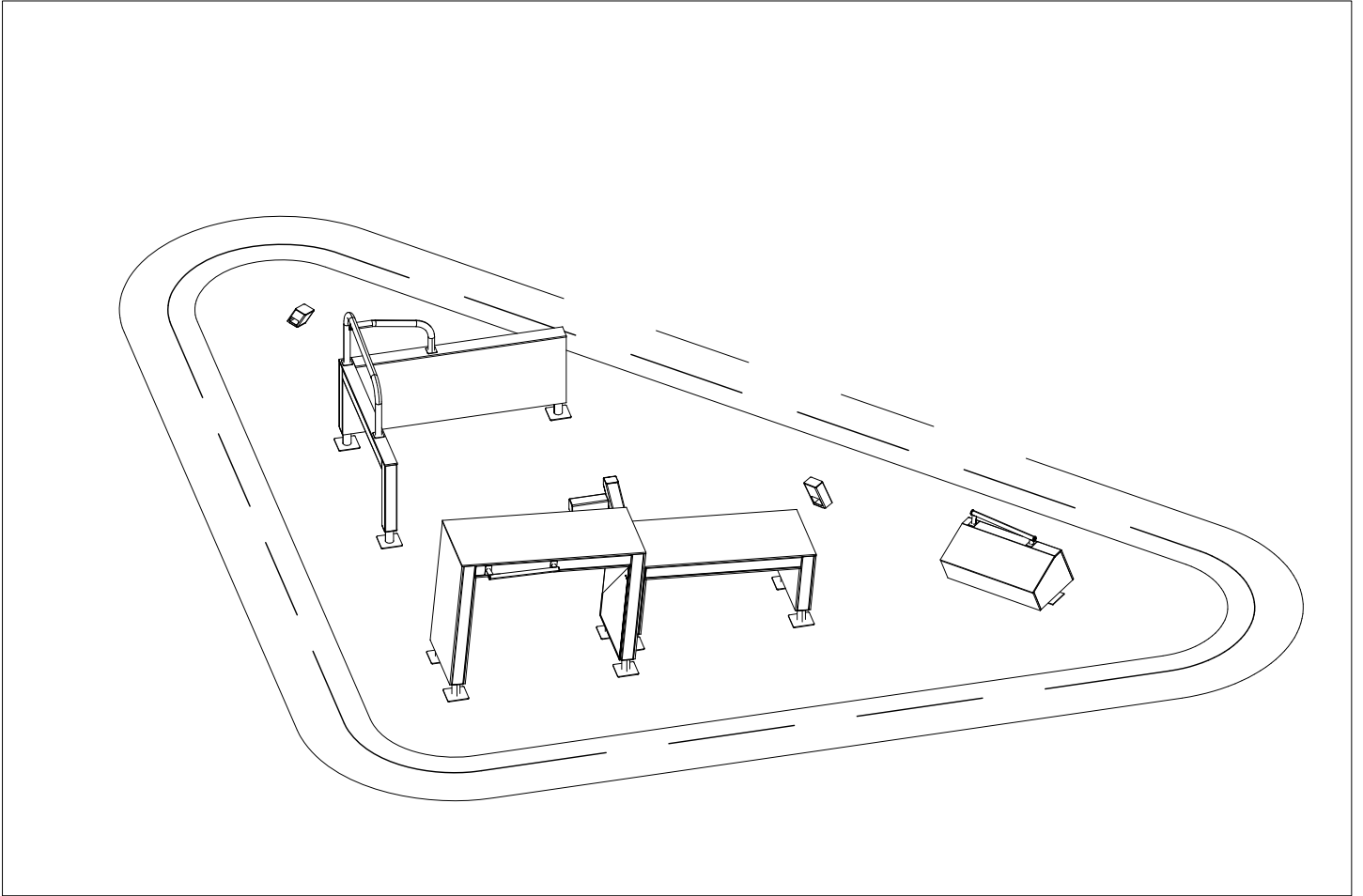
 RED LINES TOGETHER

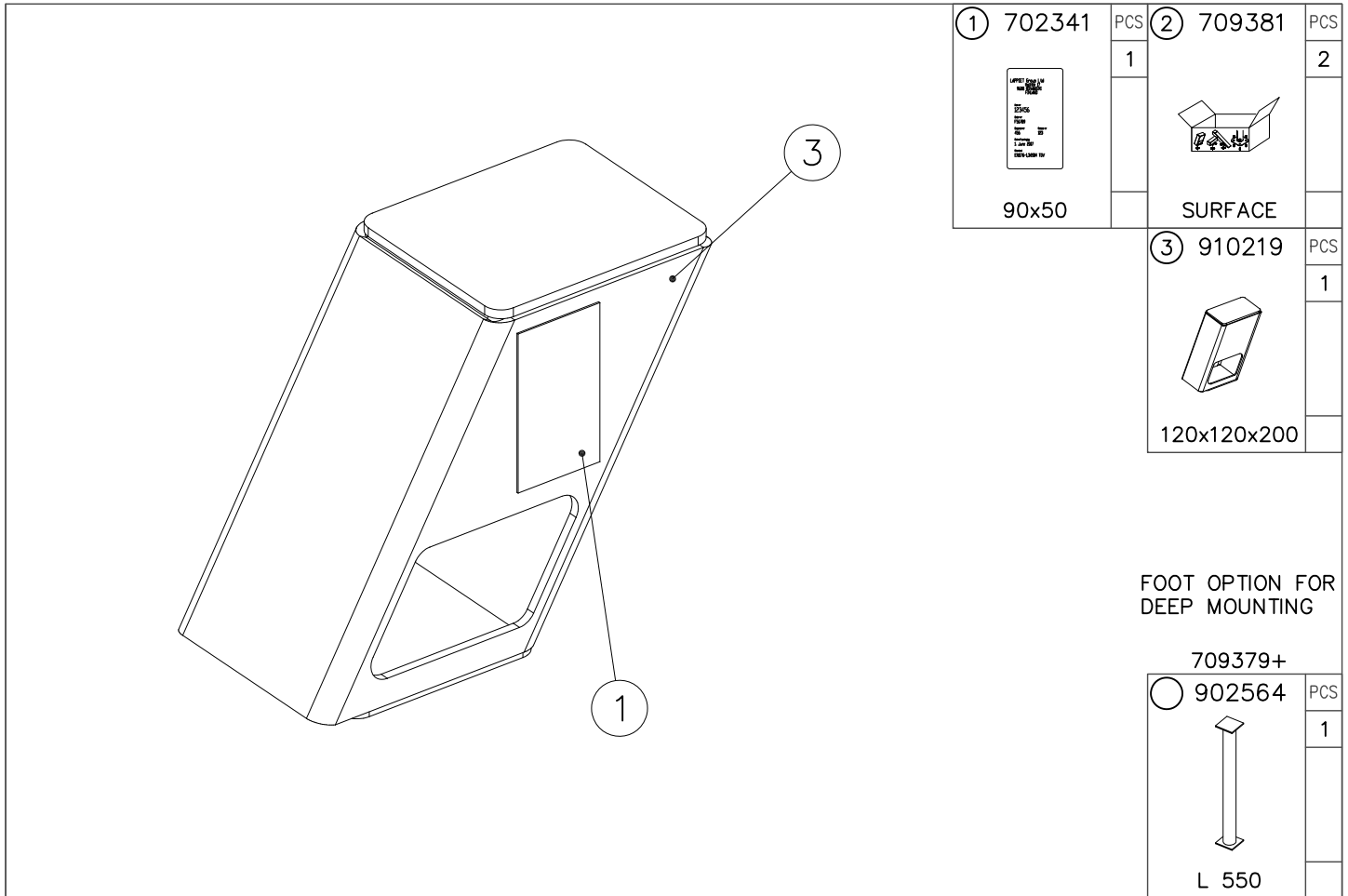
AREA BOUNDARY



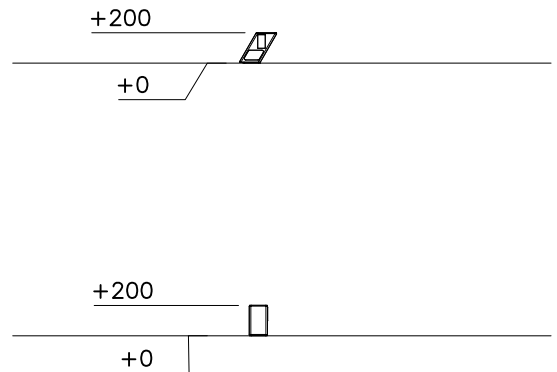
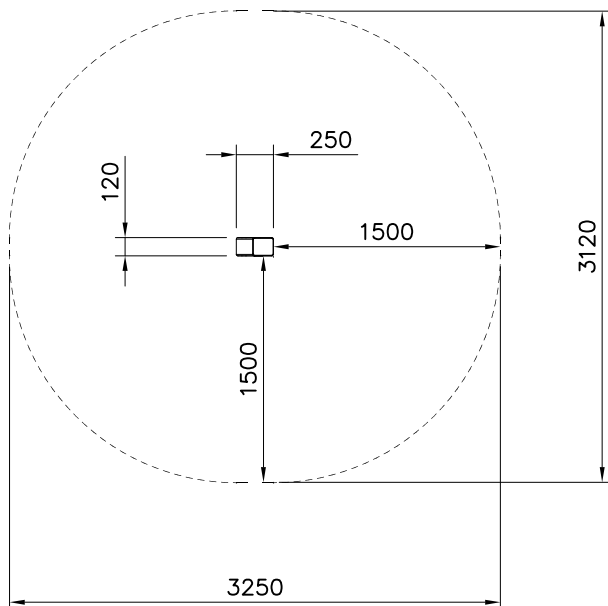
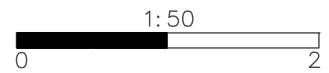




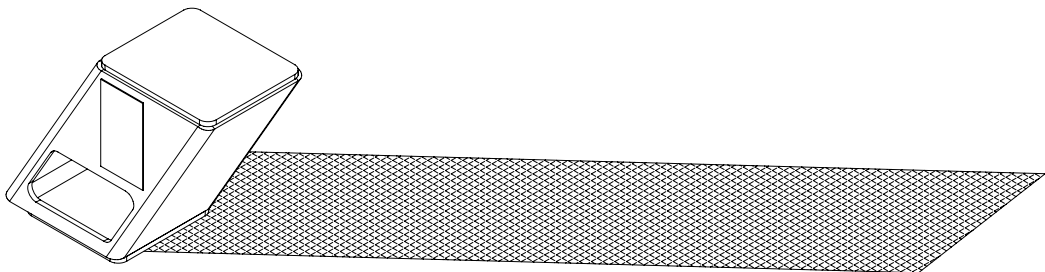
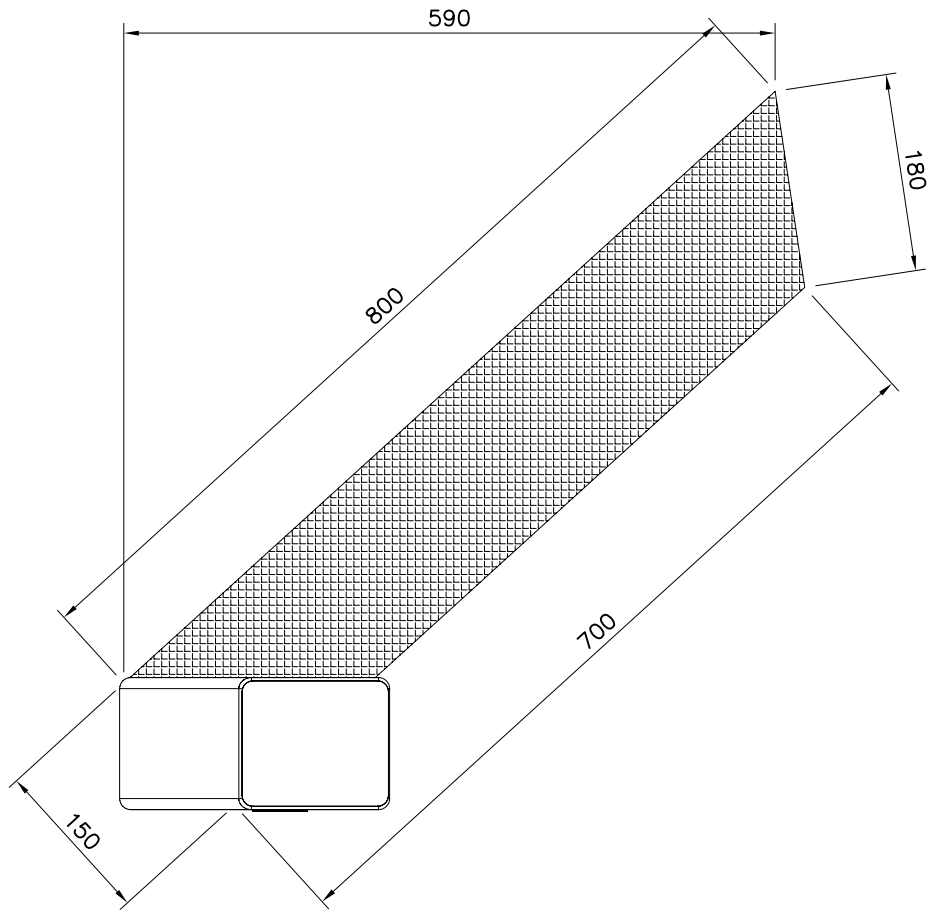


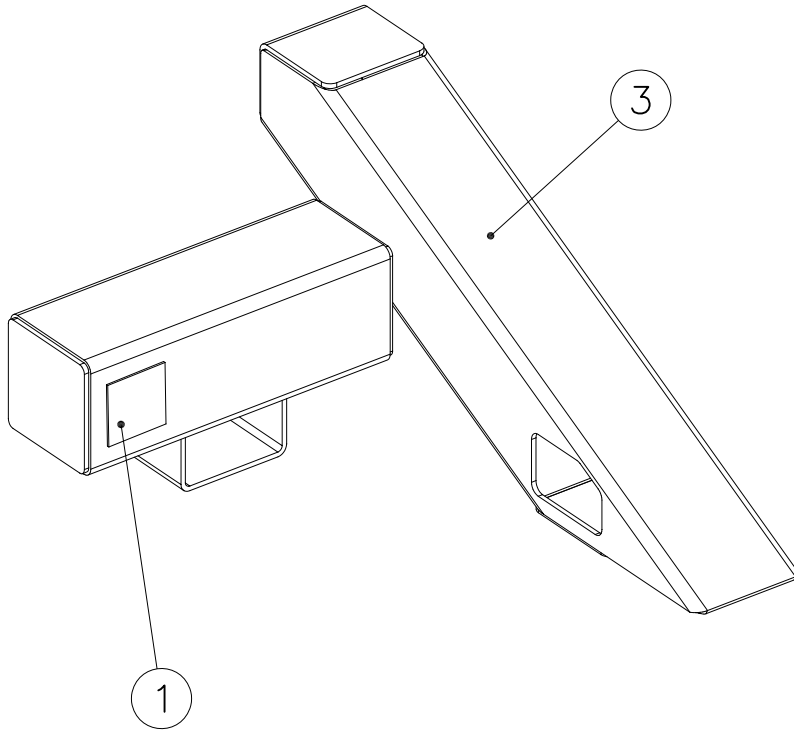


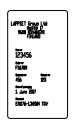

----- Falling Space 8.2 m²
Max Falling Height 200 mm

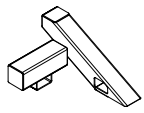


Shadow lines




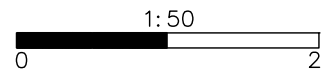


① 702341	PCS	② 709381	PCS
	1		2
90x50		SURFACE	

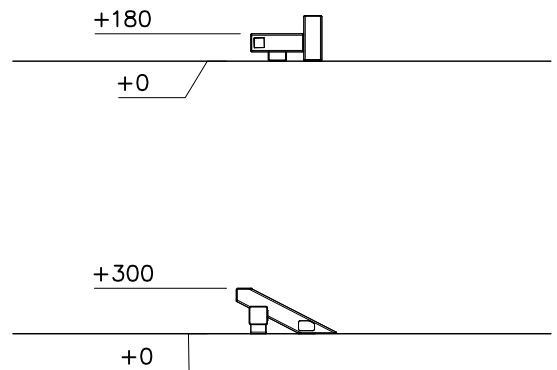
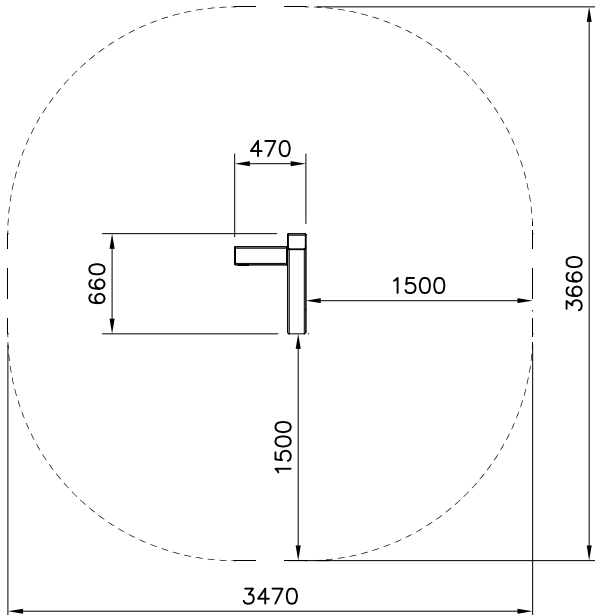
③ 910220	PCS
	1
300x470x662	

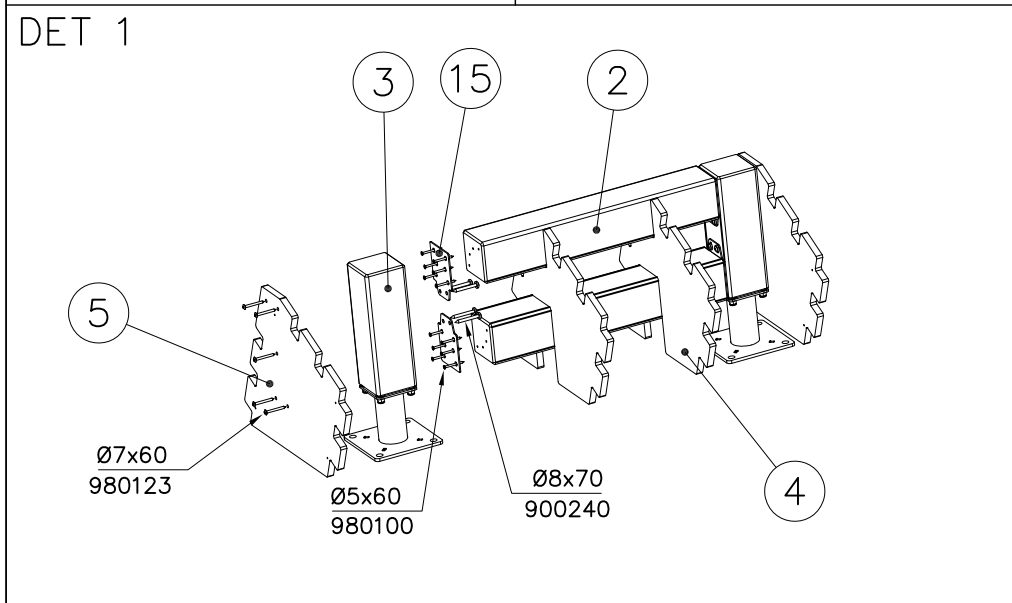
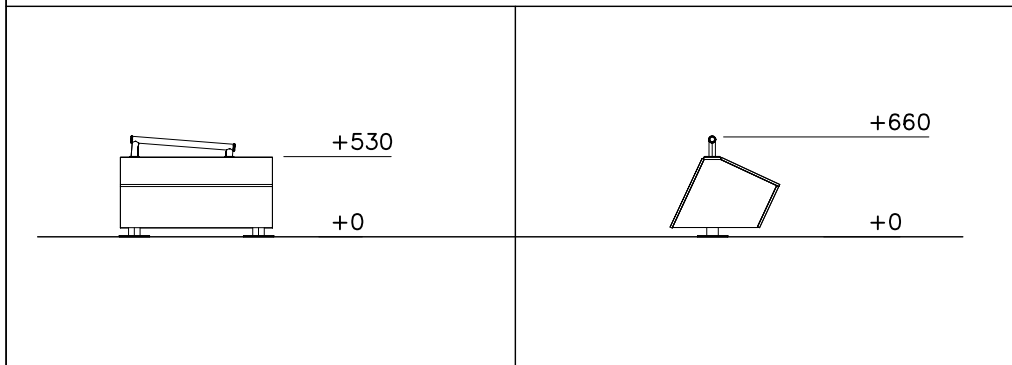
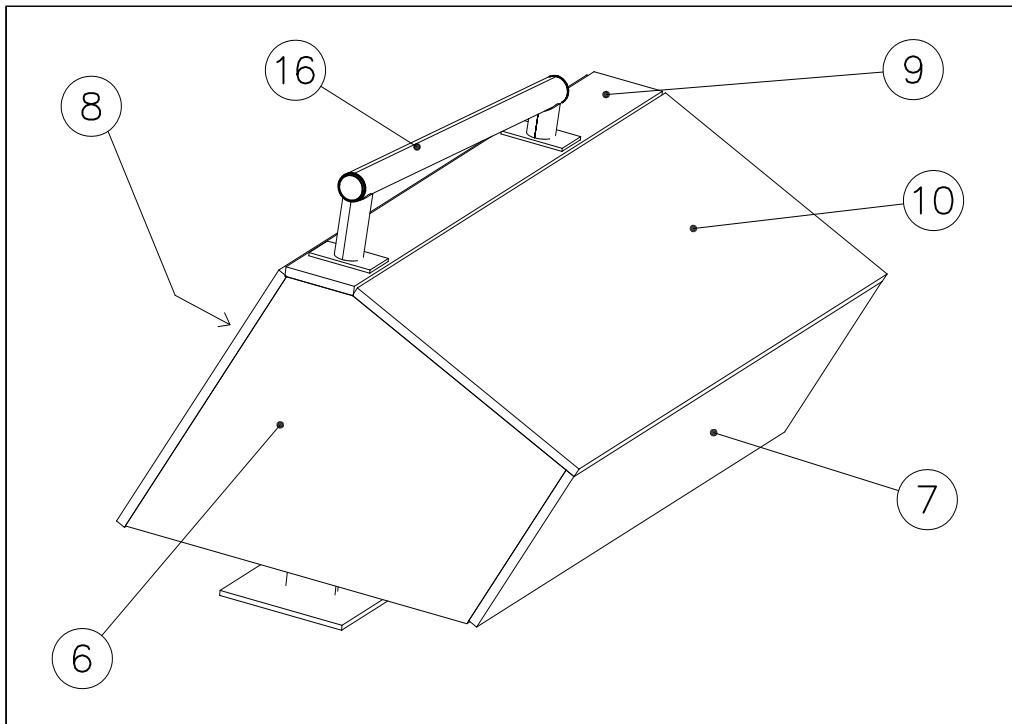
FOOT OPTION FOR DEEP MOUNTING

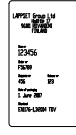
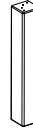

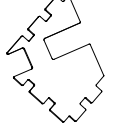
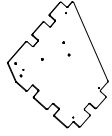
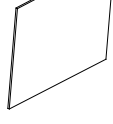
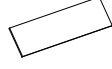

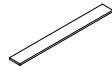
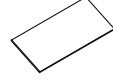



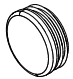
709379+	
○ 902564	PCS
	2
L 550	

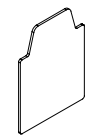
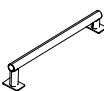






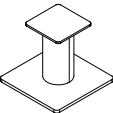

----- Falling Space 10.8 m²
 Max Falling Height 300 mm

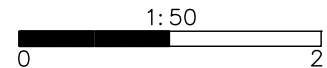
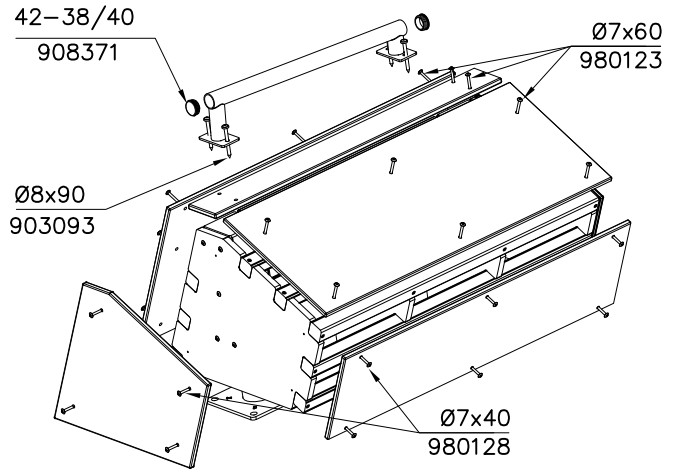
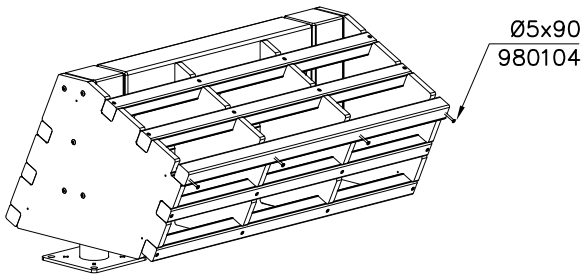
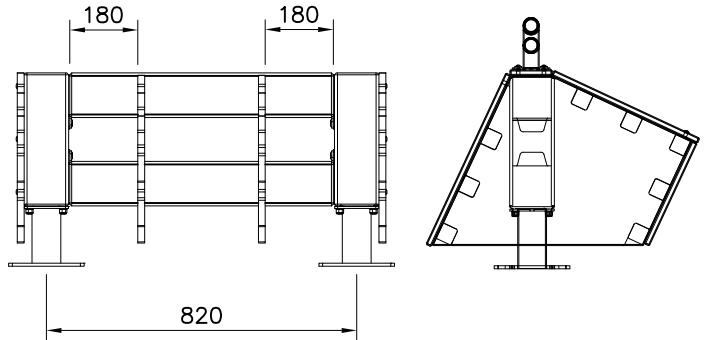




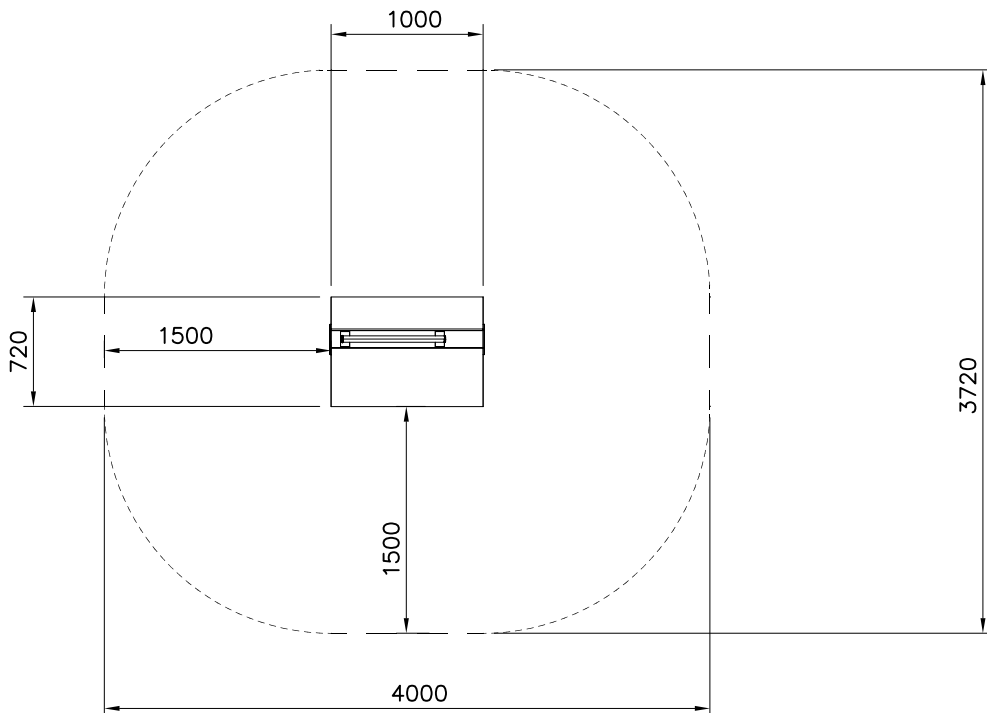
① 702341  90x50	PCS 1	② 708109  118x118x697	PCS 2
③ 708443  118x118x352	PCS 2	④ 708848  18x450x690	PCS 2
⑤ 708849  18x450x690	PCS 2	⑥ 708850  15x450x690	PCS 2
⑦ 708851  15x300x1005	PCS 1	⑧ 708852  15x500x1005	PCS 1
⑨ 708853  15x112x1005	PCS 1	⑩ 708854  15x425x1005	PCS 1
⑪ 708855  45x45x975	PCS 8	⑫ 900240  Ø8x70	PCS 8
⑬ 903093  Ø8x90	PCS 4	⑭ 908371  42-38/40	PCS 2

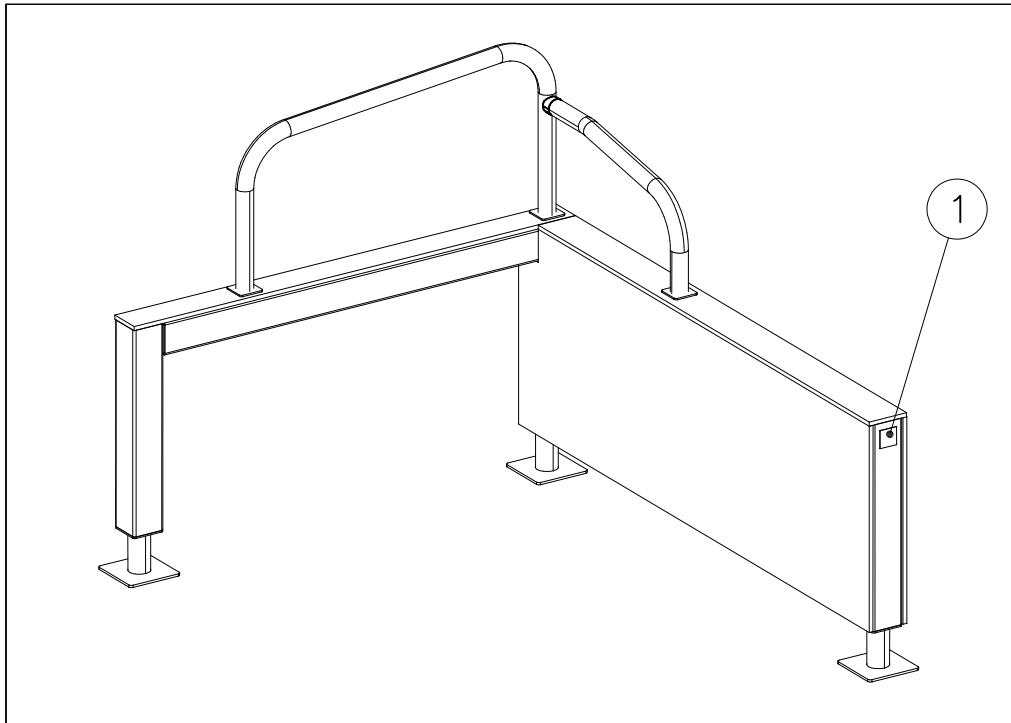
⑮ 908698  3x114x108	PCS 4	⑯ 910056  140x690	PCS 1	⑰ 980100  Ø5x60	PCS 24	⑱ 980104  Ø5x90	PCS 32	⑲ 980123  Ø7x60	PCS 27	⑳ 980128  Ø7x40	PCS 14
--	----------	--	----------	--	-----------	--	-----------	--	-----------	--	-----------



709261+		709262+	
○ 910330	PCS	○ 910567	PCS
SURFACE	2	CONCRETE	2
			
152x200x200		117x117x715	

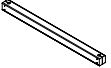



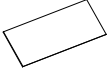

----- Falling Space 13 m²
Max Falling Height 660 mm

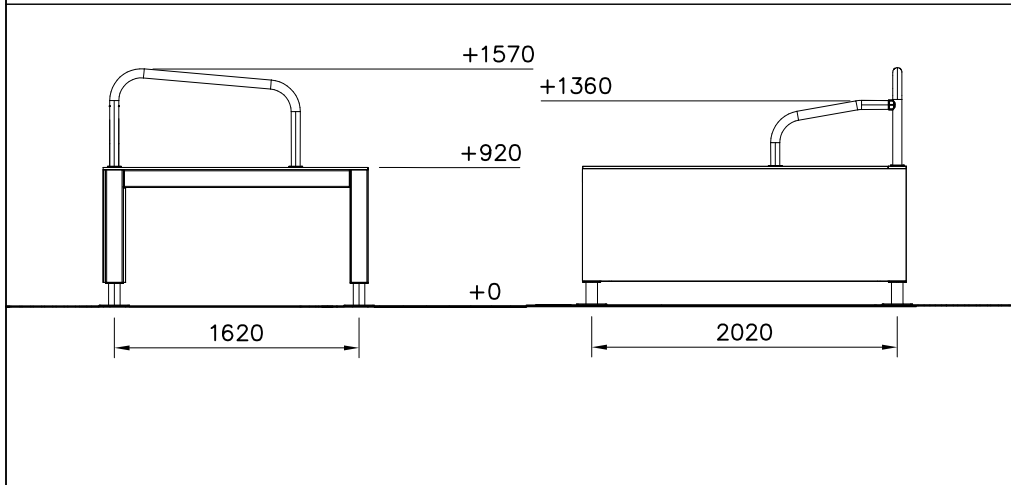


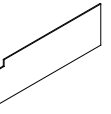



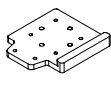

① 702286	PCS	② 707213	PCS
	1		1
65x65		118x118x1490	

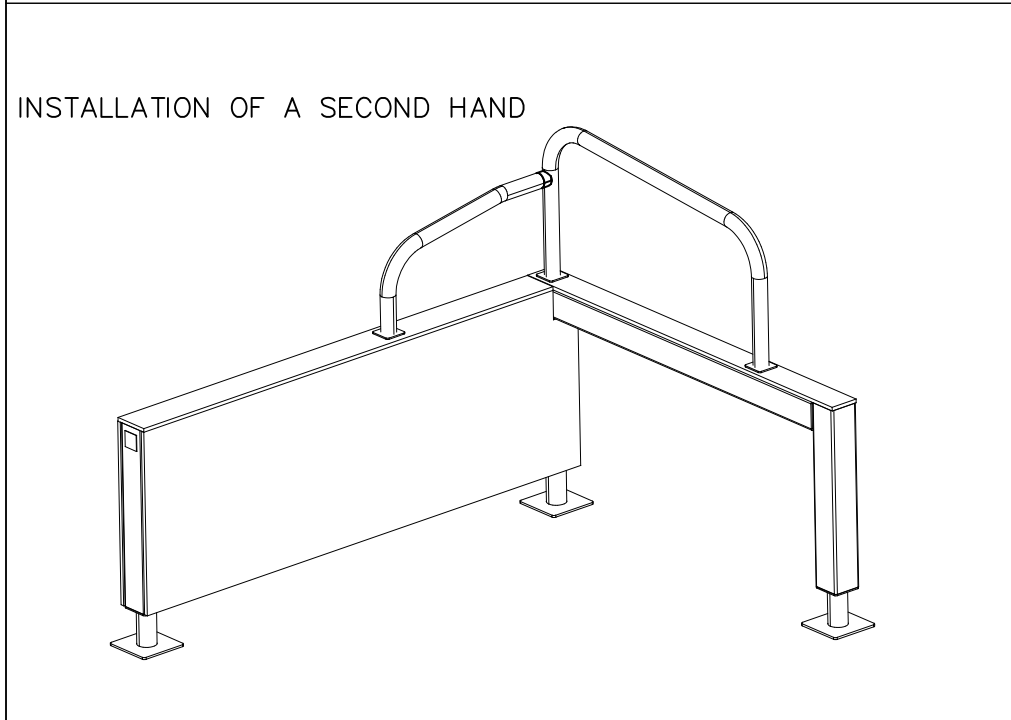
③ 707517	PCS	④ 708137	PCS
	2		3
118x118x1892		118x118x745	



⑤ 708715	PCS	⑥ 708840	PCS
	1		1
15x745x2140		15x148x2018	





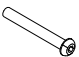

⑦ 708845	PCS	⑧ 708846	PCS
	1		1
15x745x2138		15x118x1751	


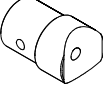



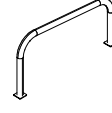
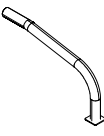
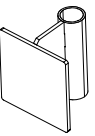


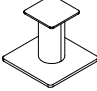
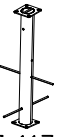
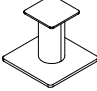
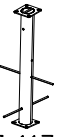
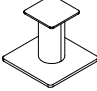
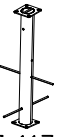
⑨ 708857	PCS	⑩ 980154	PCS
	1		1
20x133x149		Ø24/13	



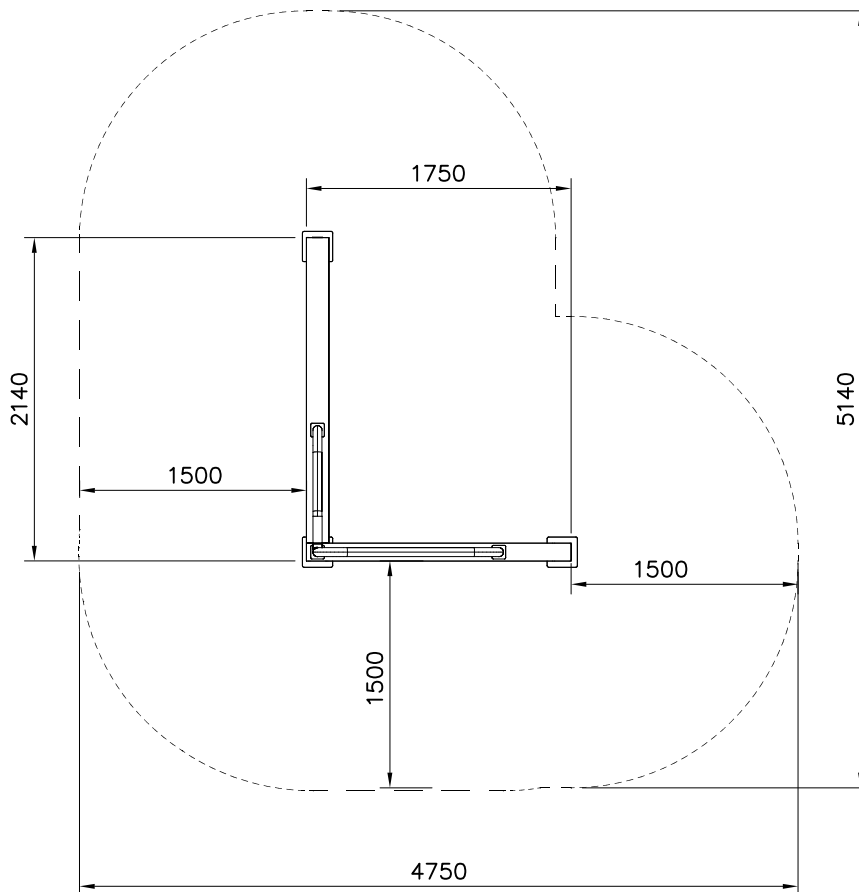
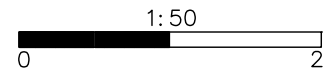
⑪ 900240	PCS	⑫ 900965	PCS
	24		1
Ø8x70		M10	

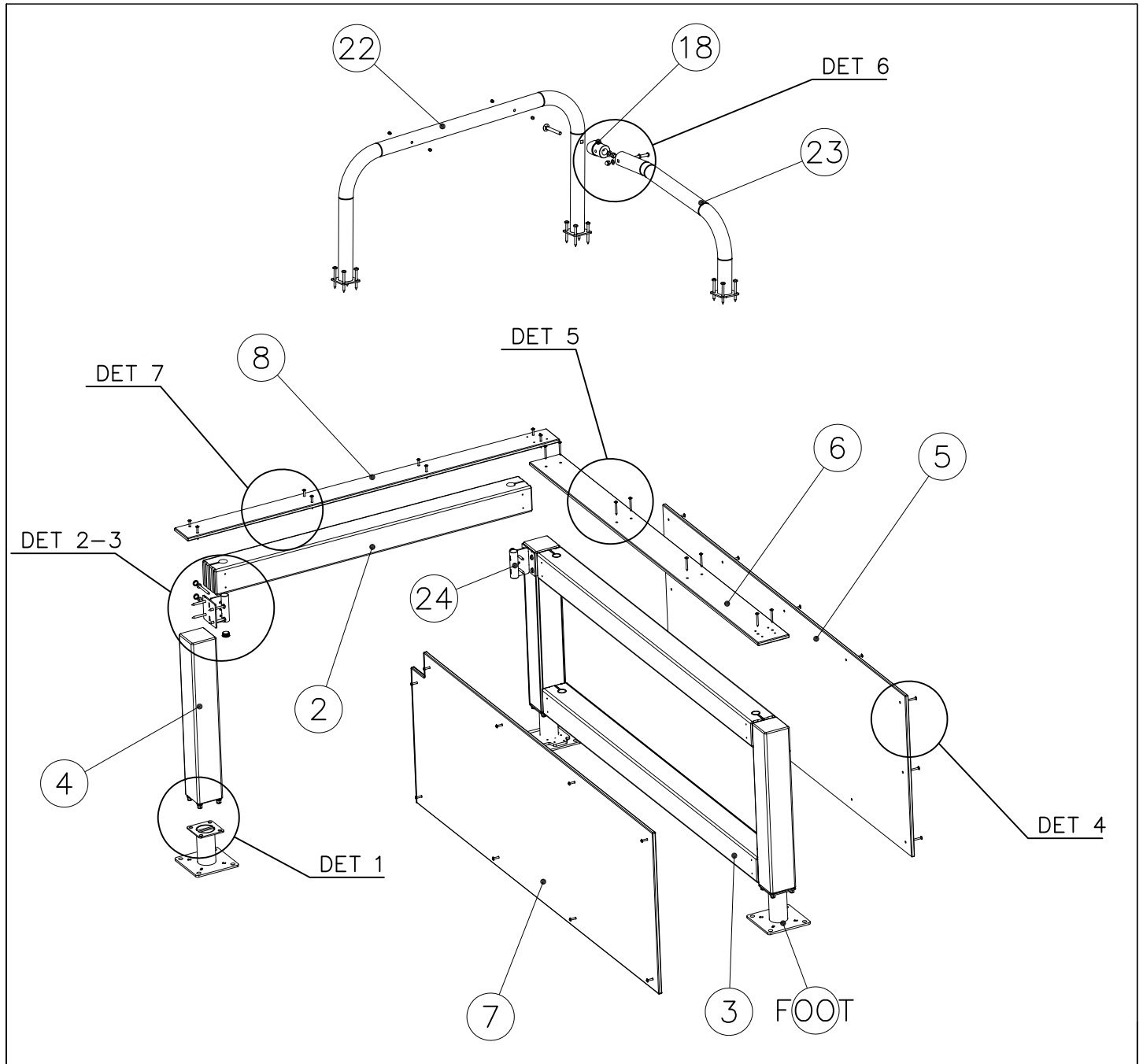
⑬ 903093	PCS	⑭ 903533	PCS
	24		4
Ø8x90		SRL12	

⑮ 904133	PCS	⑯ 905103	PCS
	1		6
M10x80		PT-28/32-H	

<p>⑰ 905112 PCS 12</p>  <p>Ø22</p>	<p>⑱ 908069 PCS 1</p>  <p>Ø60x87.6</p>	<p>⑲ 909111 PCS 1</p>  <p>M12x100</p>	<p>⑳ 909248 PCS 1</p>  <p>M12</p>	<p>㉑ 909638 PCS 4</p>  <p>Ø20/10.5</p>	<p>㉒ 910254 PCS 1</p>  <p>Ø60x650x1290</p>		
<p>㉓ 910262 PCS 1</p>  <p>Ø60x435x795</p>	<p>㉔ 910266 PCS 6</p>  <p>90x108x118</p>	<p>㉕ 980123 PCS 37</p>  <p>Ø7x60</p>	<p>㉖ 980114 PCS 4</p>  <p>Ø4x20</p>	<p>FOOT OPTIONS 709261+ 709262+</p> <table border="1"> <tr> <td> <p>○ 910330 SURFACE PCS 3</p>  <p>152x200x200</p> </td> <td> <p>○ 910567 CONCRETE PCS 3</p>  <p>117x117x715</p> </td> </tr> </table>		<p>○ 910330 SURFACE PCS 3</p>  <p>152x200x200</p>	<p>○ 910567 CONCRETE PCS 3</p>  <p>117x117x715</p>
<p>○ 910330 SURFACE PCS 3</p>  <p>152x200x200</p>	<p>○ 910567 CONCRETE PCS 3</p>  <p>117x117x715</p>						

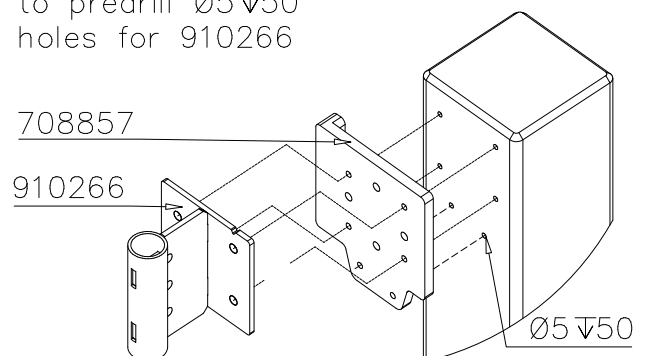
----- Falling Space 18.8 m²
Max Falling Height 920 mm



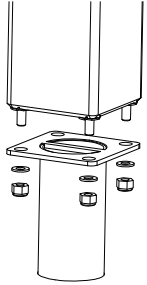


JIG DET A (USE DET 2)

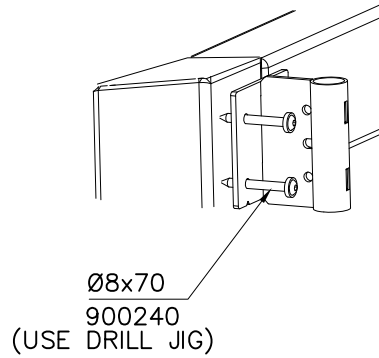
NOTE:
Use drill jig 708857
to predrill $\text{Ø}5 \nabla 50$
holes for 910266



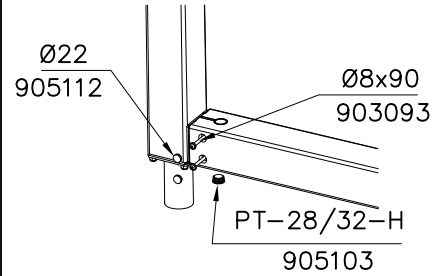
DET 1



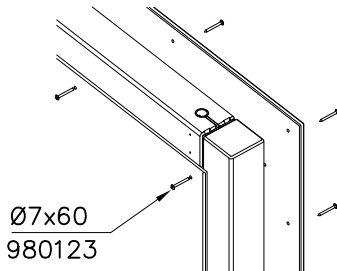
DET 2



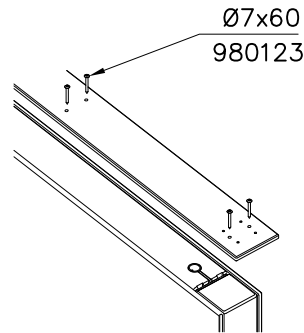
DET 3



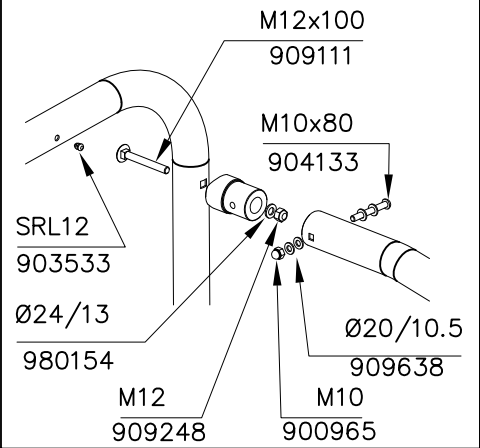
DET 4



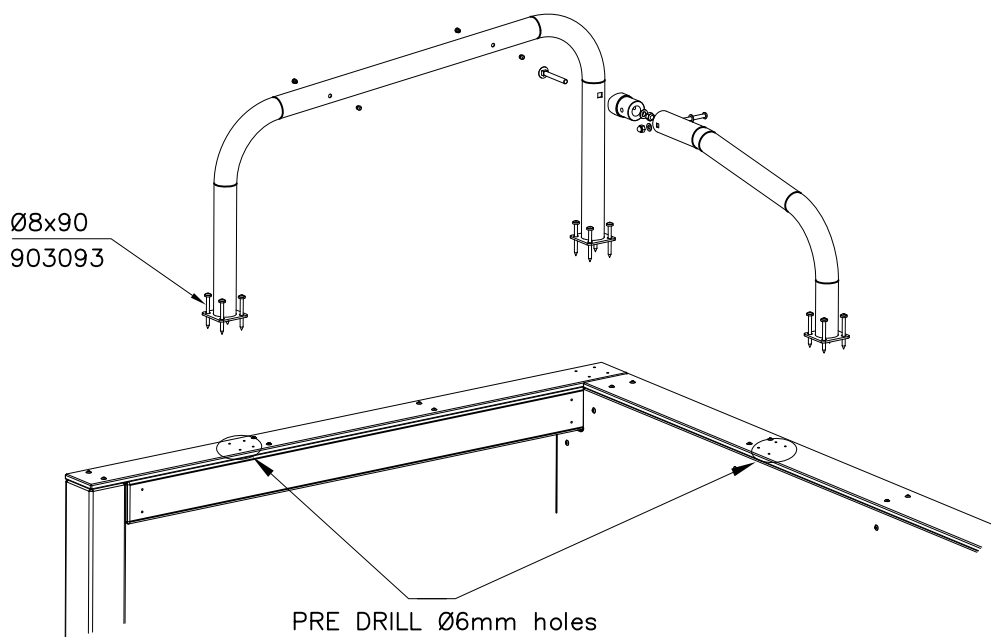
DET 5

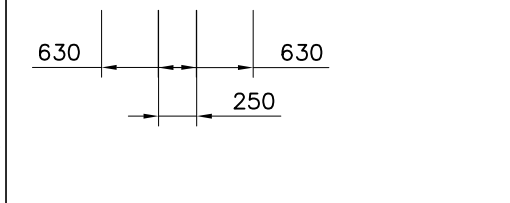
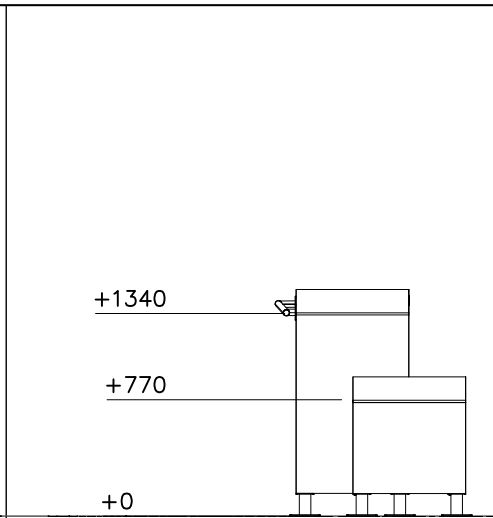
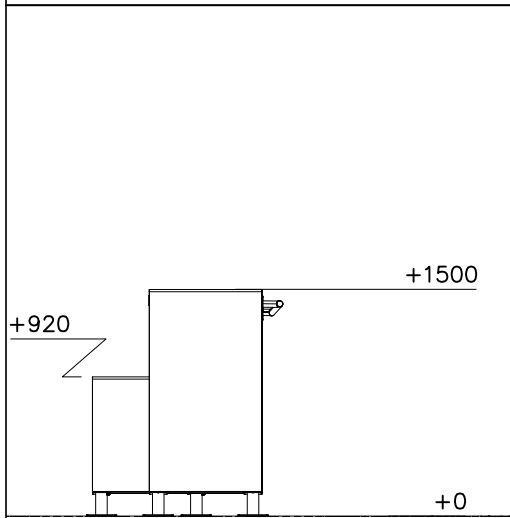
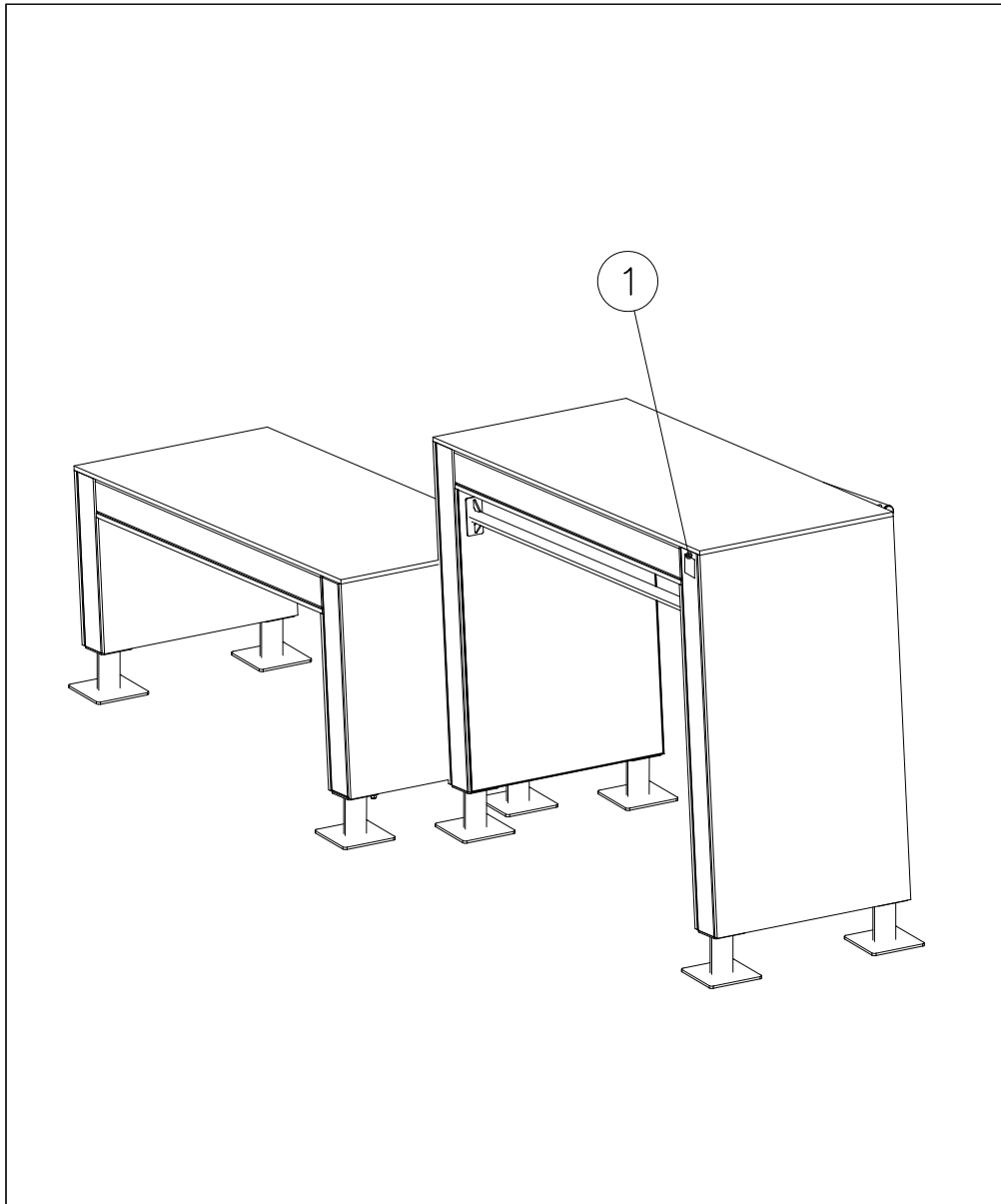


DET 6

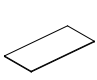
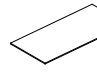
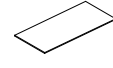
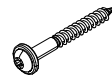

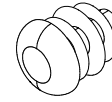

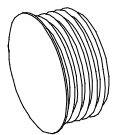
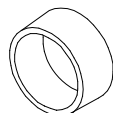
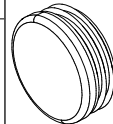
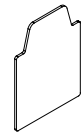
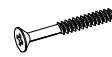

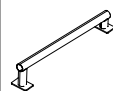
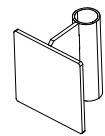

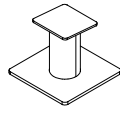
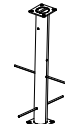
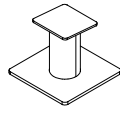
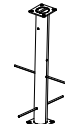
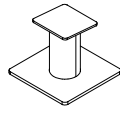
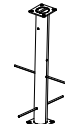


DET 7





① 702286 65x65	PCS 1	② 707210 118x118x503	PCS 8
③ 707213 118x118x1490	PCS 4	④ 708042 118x118x1185	PCS 2
⑤ 708125 118x118x1326	PCS 2	⑥ 708127 118x118x603	PCS 2
⑦ 708137 118x118x745	PCS 2	⑧ 708721 15x745x1766	PCS 2
⑨ 708723 15x745x1185	PCS 1	⑩ 708724 15x745x1326	PCS 1
⑪ 708725 15x603x745	PCS 1	⑫ 708726 15x745x745	PCS 1
⑬ 708834 15x745x470	PCS 1	⑭ 708835 15x745x612	PCS 1
⑮ 708857 JIG 20x133x149	PCS 1	⑯ 709204 15x745x1495	PCS 1

<p>17 911303 COLOR</p> <p>PCS 1</p>  <p>15x745x1495</p>	<p>18 911305 COLOR</p> <p>PCS 1</p>  <p>15x745x1192</p>	<p>19 911307 COLOR</p> <p>PCS 1</p>  <p>15x745x1050</p>	<p>20 900240</p> <p>PCS 76</p>  <p>Ø8x70</p>	<p>21 903093</p> <p>PCS 20</p>  <p>Ø8x90</p>	<p>22 903533</p> <p>PCS 6</p>  <p>SRL12</p>		
<p>23 980114</p> <p>PCS 4</p>  <p>Ø4x20</p>	<p>24 905103</p> <p>PCS 16</p>  <p>PT-28/32-H</p>	<p>25 905112</p> <p>PCS 16</p>  <p>Ø22</p>	<p>26 908371</p> <p>PCS 2</p>  <p>42-38/40</p>	<p>27 908698</p> <p>PCS 16</p>  <p>3x114x108</p>	<p>28 980100</p> <p>PCS 96</p>  <p>Ø5x60</p>		
<p>29 910328</p> <p>PCS 1</p>  <p>L 1466</p>	<p>30 910056</p> <p>PCS 1</p>  <p>140x690</p>	<p>31 910266</p> <p>PCS 8</p>  <p>90x108x118</p>	<p>32 980123</p> <p>PCS 88</p>  <p>Ø7x60</p>	<p>FOOT OPTIONS</p> <p>709261+ 709262+</p> <table border="1"> <tbody> <tr> <td> <p>910267 SURFACE</p> <p>PCS 8</p>  <p>152x200x200</p> </td> <td> <p>910567 CONCRETE</p> <p>PCS 8</p>  <p>117x117x715</p> </td> </tr> </tbody> </table>		<p>910267 SURFACE</p> <p>PCS 8</p>  <p>152x200x200</p>	<p>910567 CONCRETE</p> <p>PCS 8</p>  <p>117x117x715</p>
<p>910267 SURFACE</p> <p>PCS 8</p>  <p>152x200x200</p>	<p>910567 CONCRETE</p> <p>PCS 8</p>  <p>117x117x715</p>						

+1500

+1340

+920

+770

+150

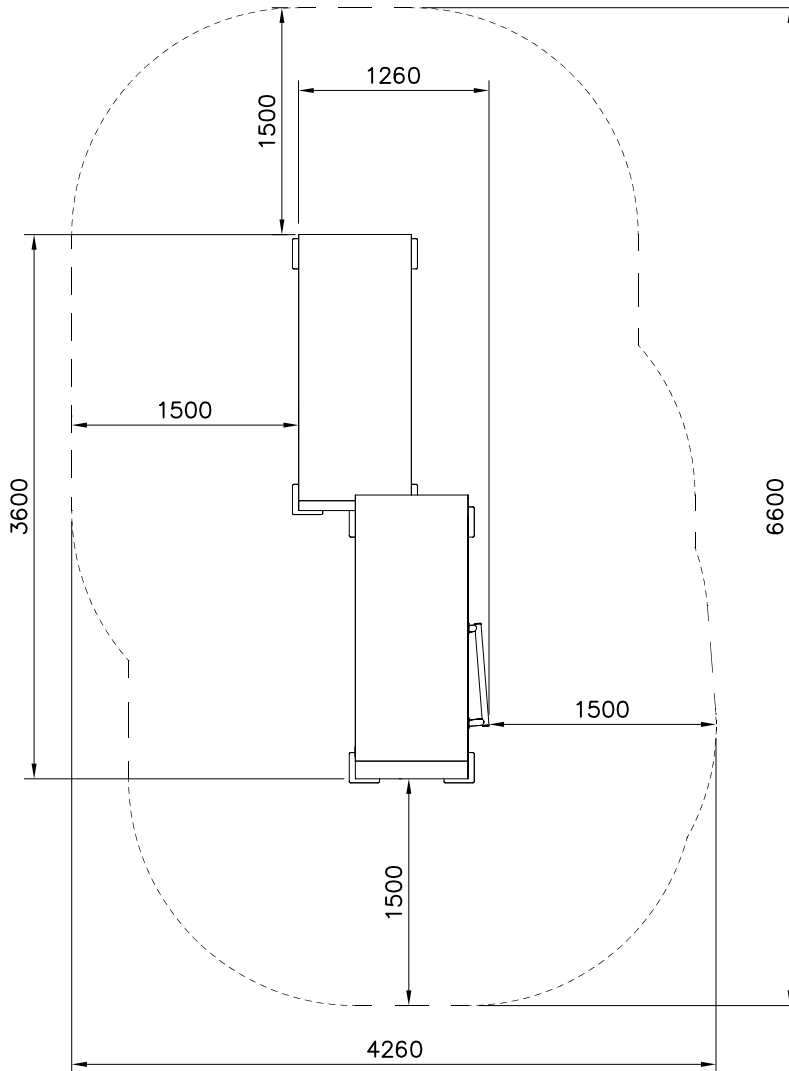
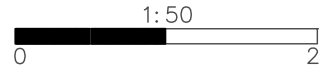
+0

+160

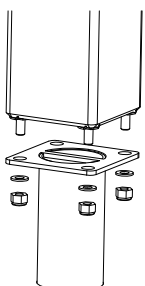
1620

1620

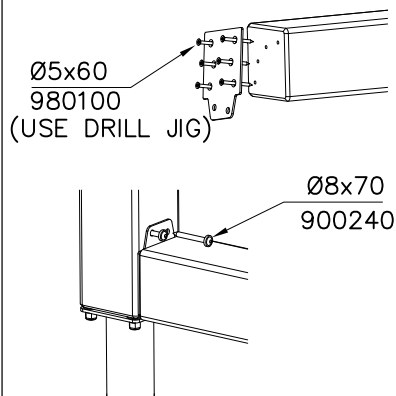
----- Falling Space 23.5 m²
Max Falling Height 1500 mm



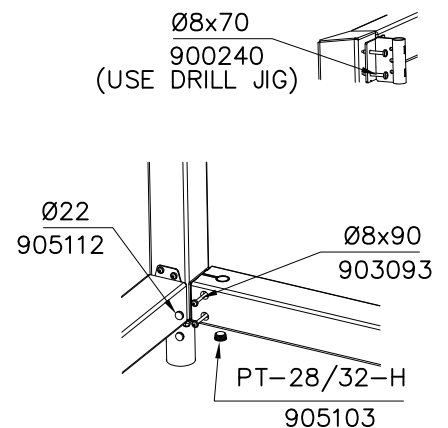
DET 1



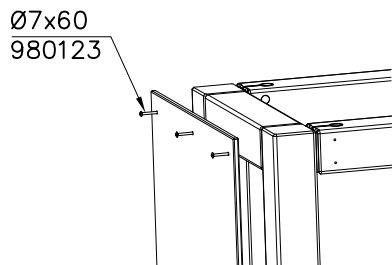
DET 2



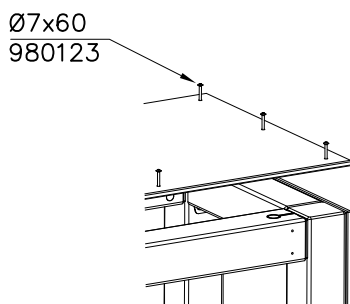
DET 3



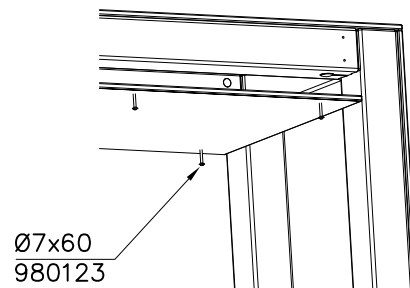
DET 4



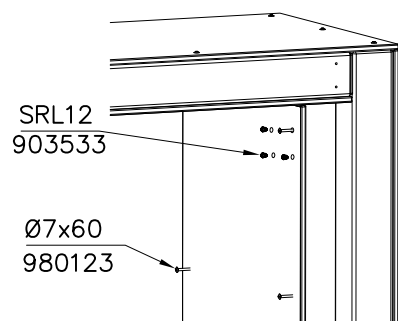
DET 5



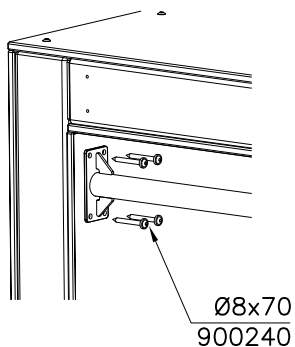
DET 6



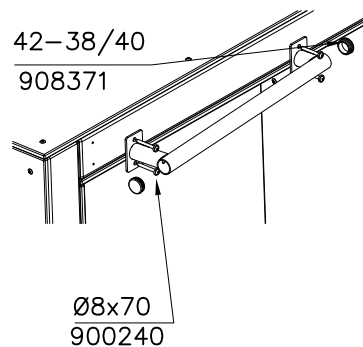
DET 7



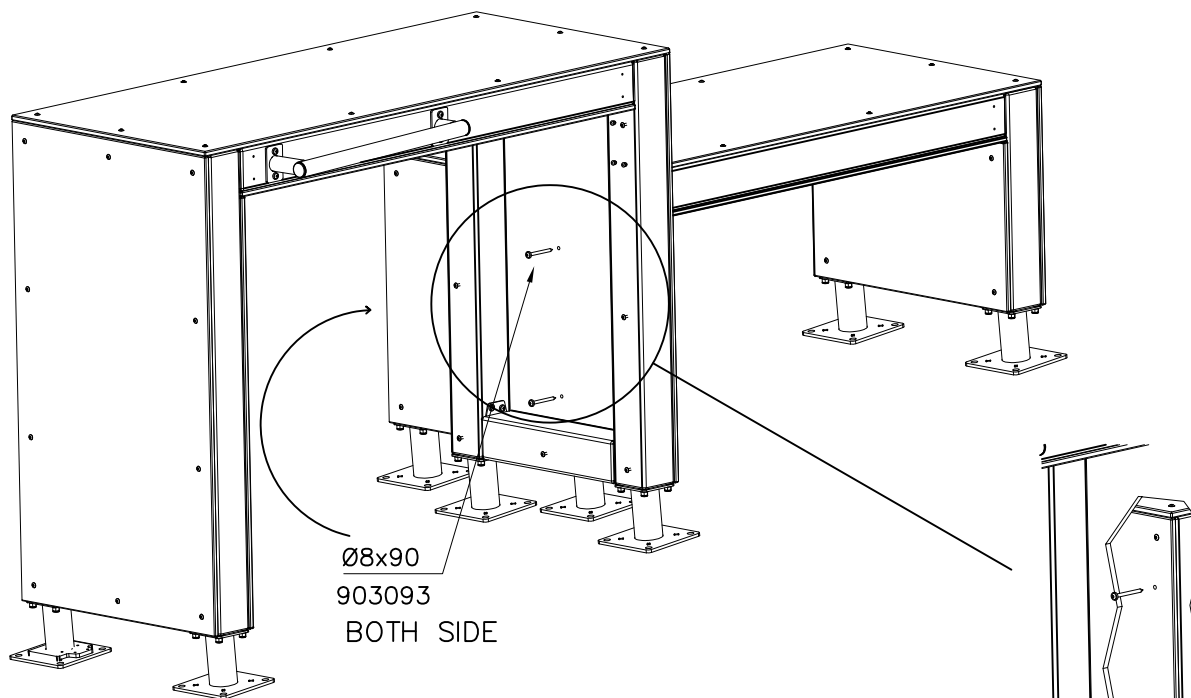
DET 8

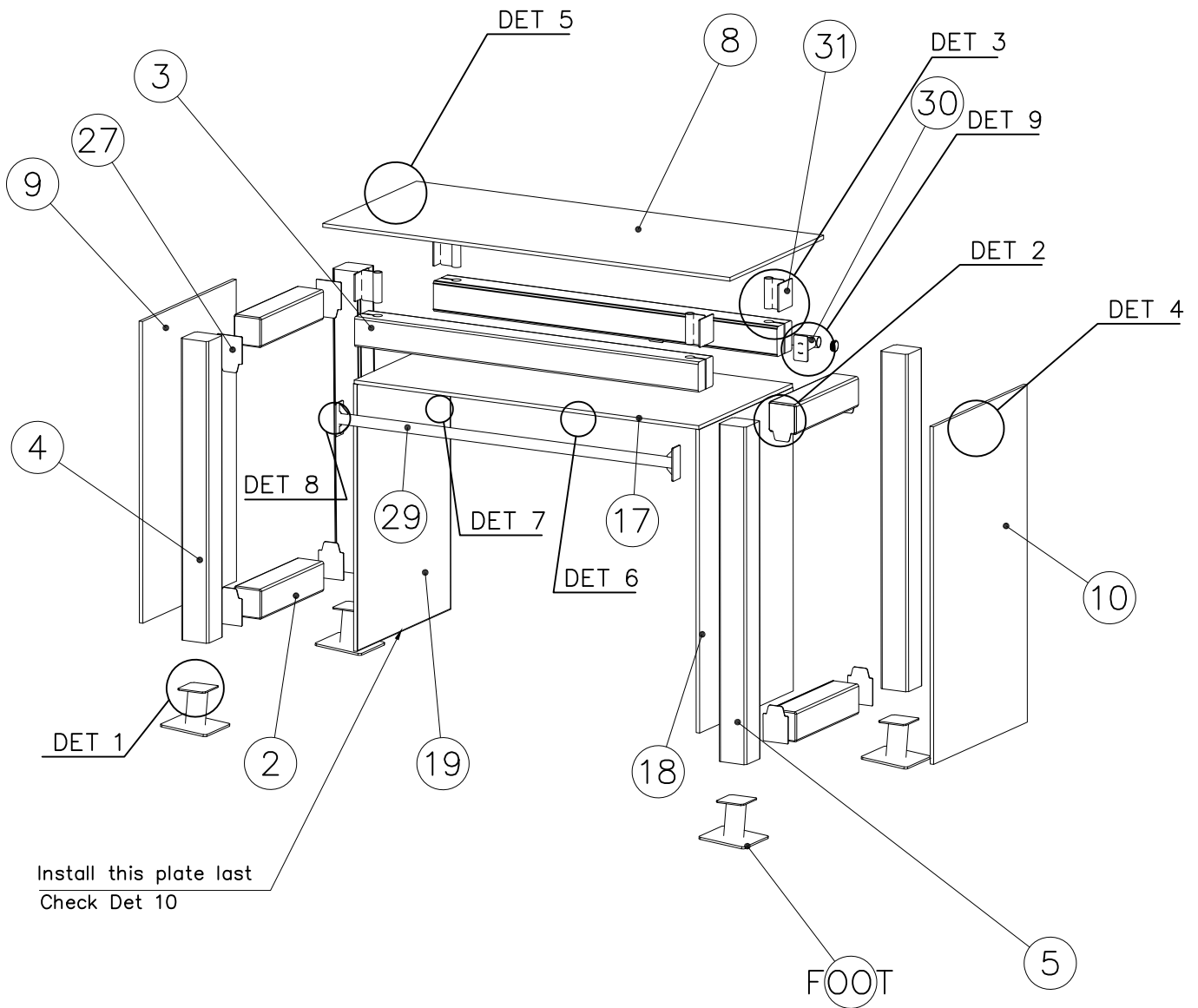


DET 9 DRILL PREHOLES
Ø6mm BEFORE
INSTALLING HANDLES



DET 10





JIG DET A (USE DET 2-3)

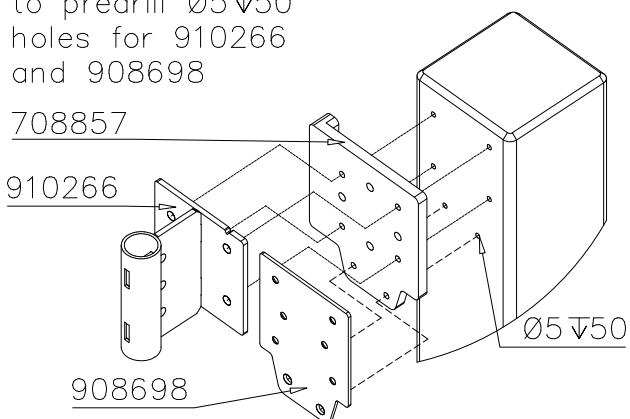
NOTE:

Use drill jig 708857 to predrill $\text{Ø}5 \nabla 50$ holes for 910266 and 908698

708857

910266

908698



JIG DET B (USE DET 9)

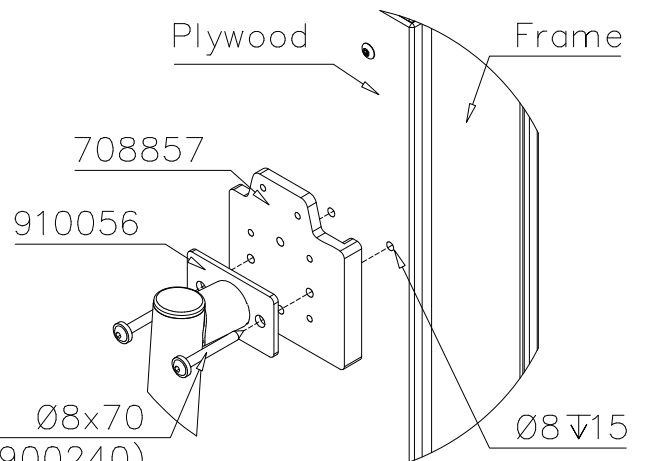
Plywood Frame

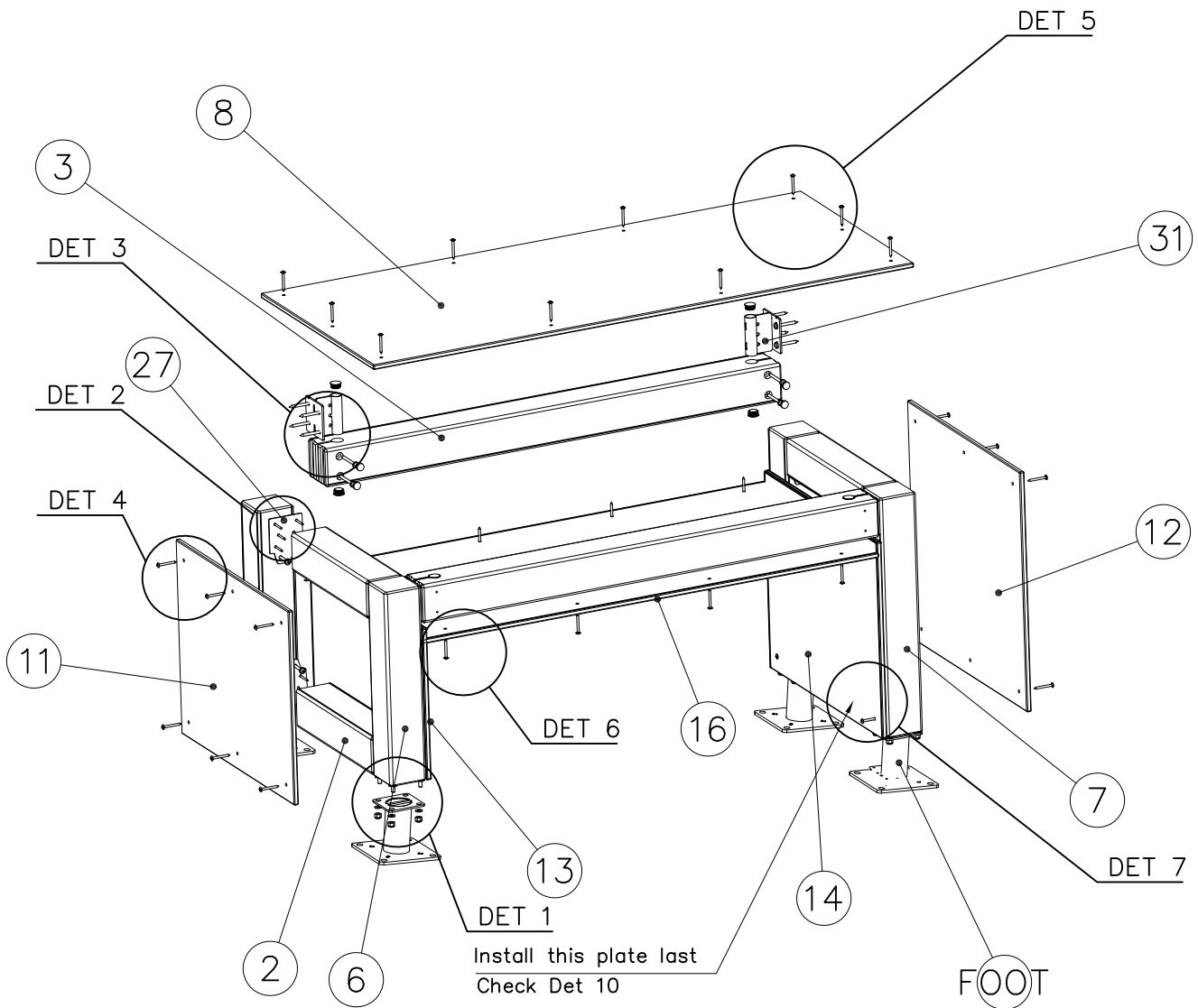
708857

910056

$\text{Ø}8 \times 70$
(900240)

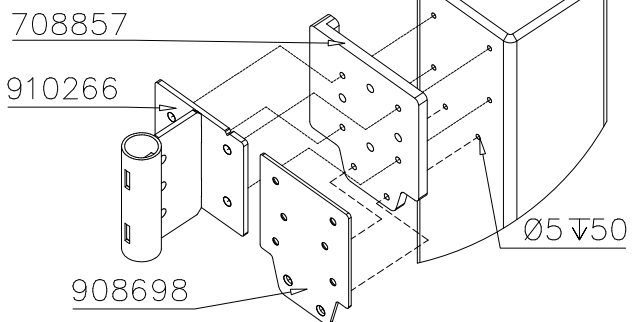
$\text{Ø}8 \nabla 15$

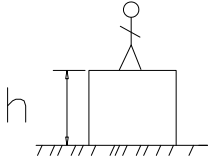




JIG DET A (USE DET 2-3)

NOTE:
Use drill jig 708857
to predrill $\varnothing 5 \nabla 50$
holes for 910266
and 908698





$h < 1600$

Totally hard surfaces or materials with very limited impact attenuating properties.

Case by case risk assessment is needed including e.g. evaluation whether there is forced movement, what is the intended exercise and where will the product be installed.

Materials with significant impact attenuating properties.

Totally hard surfaces.
E.g. concrete or asphalt



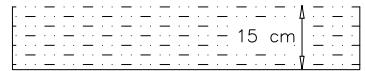
Materials with very limited impact attenuating properties.
E.g. wood



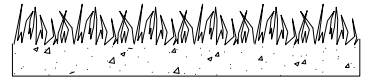
fine gravel 0–8 mm



Unsorted sand/ topsoil



Lawn

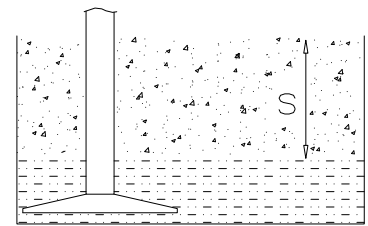


$h = 1600-$

$h < 3000$

Loose fill material

E.g.
sand/gravel 0,25...8 mm $D_{60}/D_{10} < 3,0$
Woodchips 5...30 mm
bark 20...80 mm



$\frac{S}{30 \text{ cm}}$ $\frac{h}{< 3,0 \text{ m}}$

Synthetic granulates

$\frac{S}{\text{mm}}$	$\frac{h}{\text{m}}$
40 mm	$\sim > 1,6... \sim < 1,8$ m
50 mm	$\sim > 1,8... \sim < 2,25$ m
55 mm	$\sim > 2,25... \sim < 2,4$ m
60 mm	$\sim > 2,4... \sim < 2,55$ m
70 mm	$\sim > 2,55... \sim < 3,0$ m

Note. For accurate values, see manufacturer's instructions.

