

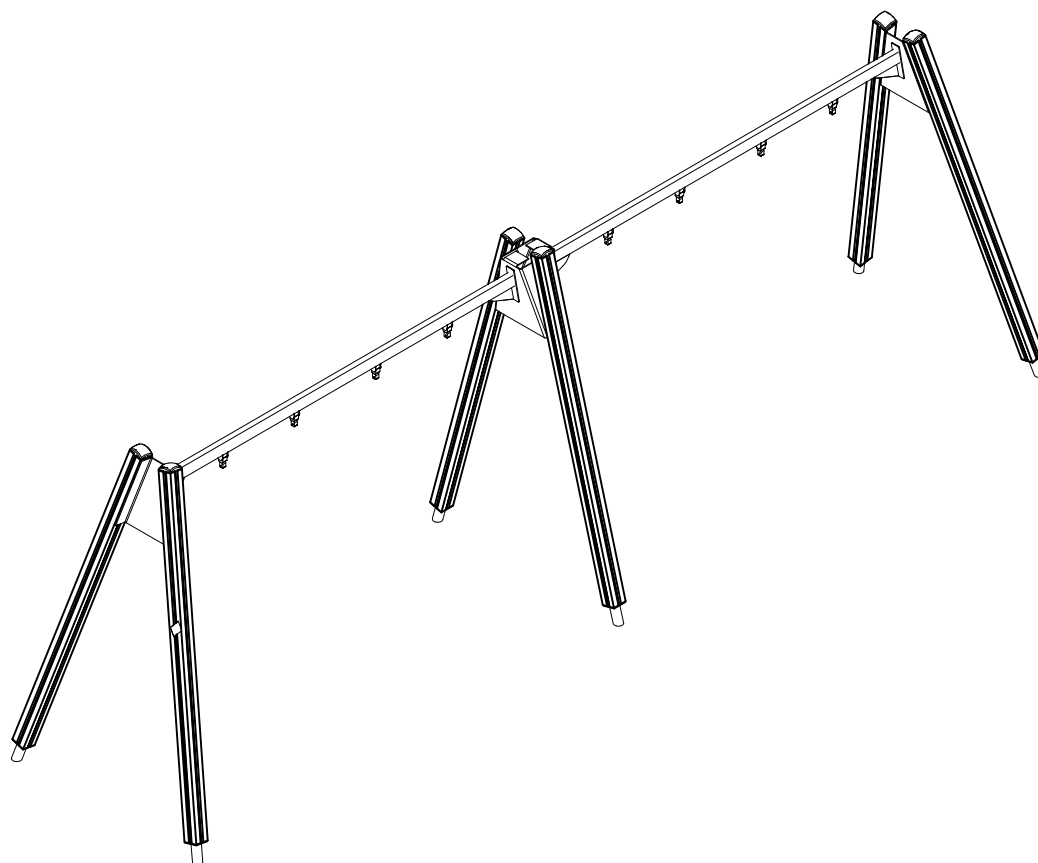
# LAPPSET®

## FINNO

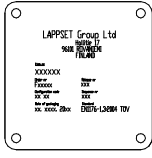

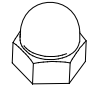

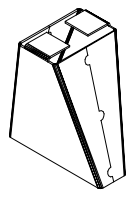
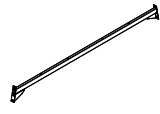
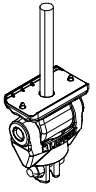
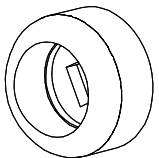
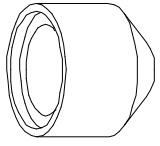
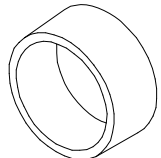
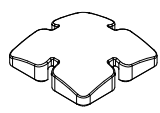
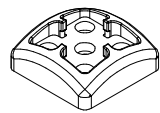
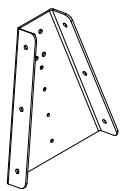

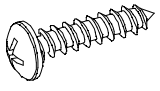
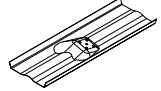
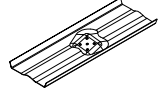
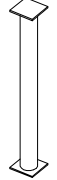
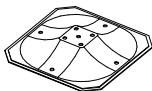
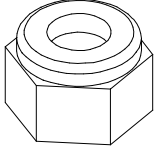
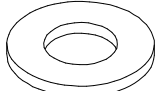
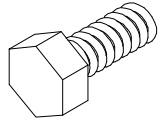
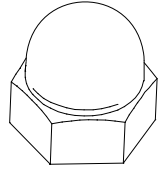
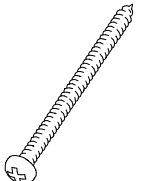


ASENNUSOHJE  
MONTERINGSANSVISNING  
INSTALLATION INSTRUCTION  
AUFBAUANLEITUNG  
NOTICE D'INSTALLATION

DATE: 28.5.2018

### Q12864-1



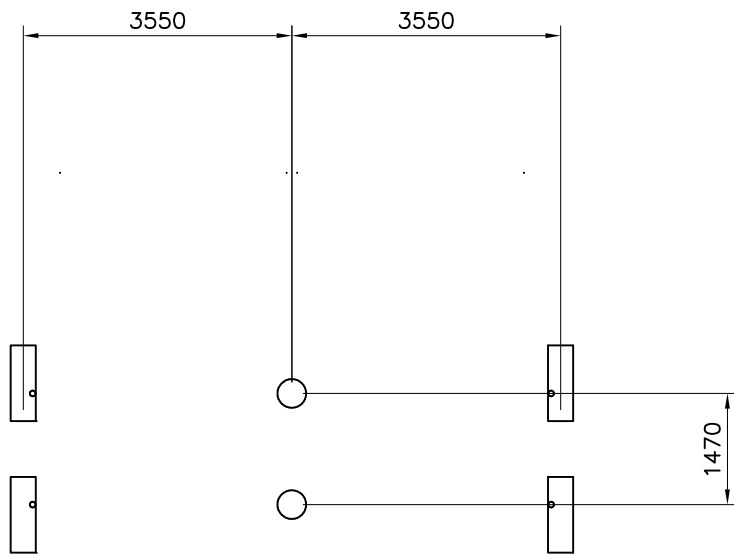
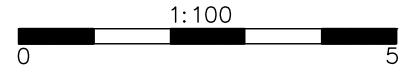
DATE: 28.5.2018

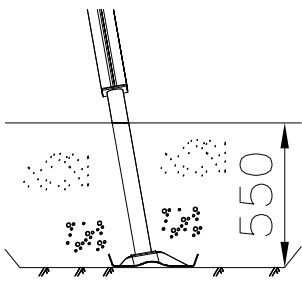
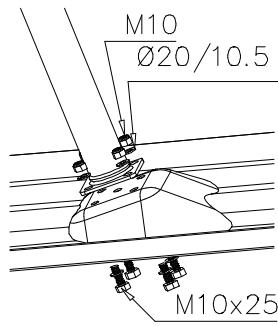
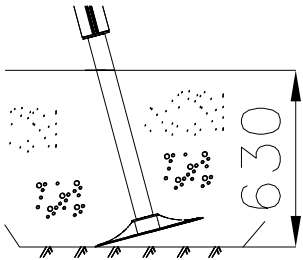
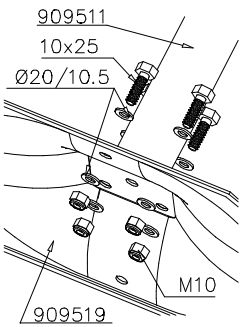
|   |           |  |           |   |           |   |           |   |          |  |           |
|---|-----------|--|-----------|---|-----------|---|-----------|---|----------|--|-----------|
| 702286<br><br>65x65    | PCS<br>1  | 706562-603<br><br>L2250 | PCS<br>6  | 900965<br><br>M10        | PCS<br>8  | 903149<br><br>M12x30   | PCS<br>8  | 904317<br>           | PCS<br>1 | 904333<br><br>L2940   | PCS<br>2  |
| 904904<br>             | PCS<br>8  | 905090<br><br>Ø45       | PCS<br>18 | 905104<br><br>M10        | PCS<br>24 | 905115<br><br>Ø30      | PCS<br>18 | 905138<br>           | PCS<br>6 | 905196<br>            | PCS<br>6  |
| 905991<br>             | PCS<br>2  | 909347<br><br>M12x35    | PCS<br>18 | 909506<br><br>Ø3.5x13    | PCS<br>4  | 909507<br><br>L 1000   | PCS<br>2  | 909508<br><br>L 1000 | PCS<br>2 | 909511<br><br>L650    | PCS<br>6  |
| 909519<br>           | PCS<br>2  | 909637<br><br>M10     | PCS<br>24 | 909638<br><br>Ø20/10.5 | PCS<br>64 | 909639<br><br>M10x25 | PCS<br>32 | 909644<br><br>M12  | PCS<br>8 | 980131<br><br>Ø6x60 | PCS<br>24 |
| 980154<br><br>Ø24x13 | PCS<br>34 | 999561<br><br>10g     | PCS<br>1  |   | PCS       |   | PCS       |   | PCS      |  | PCS       |
|   | PCS       |  | PCS       |   | PCS       |   | PCS       |   | PCS      |  | PCS       |
|   | PCS       |  | PCS       |   | PCS       |   | PCS       |   | PCS      |  | PCS       |

EN/AS Impact Area 43.8 m<sup>2</sup>

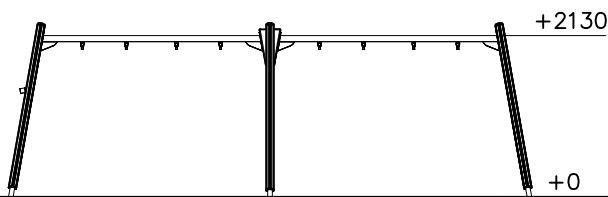
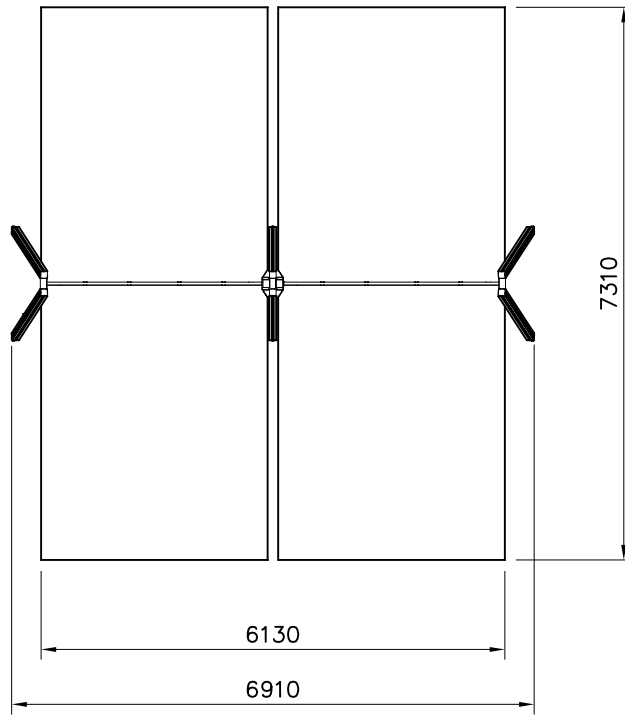
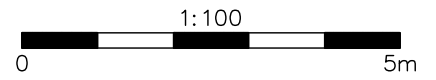
Falling Space 43.8 m<sup>2</sup>

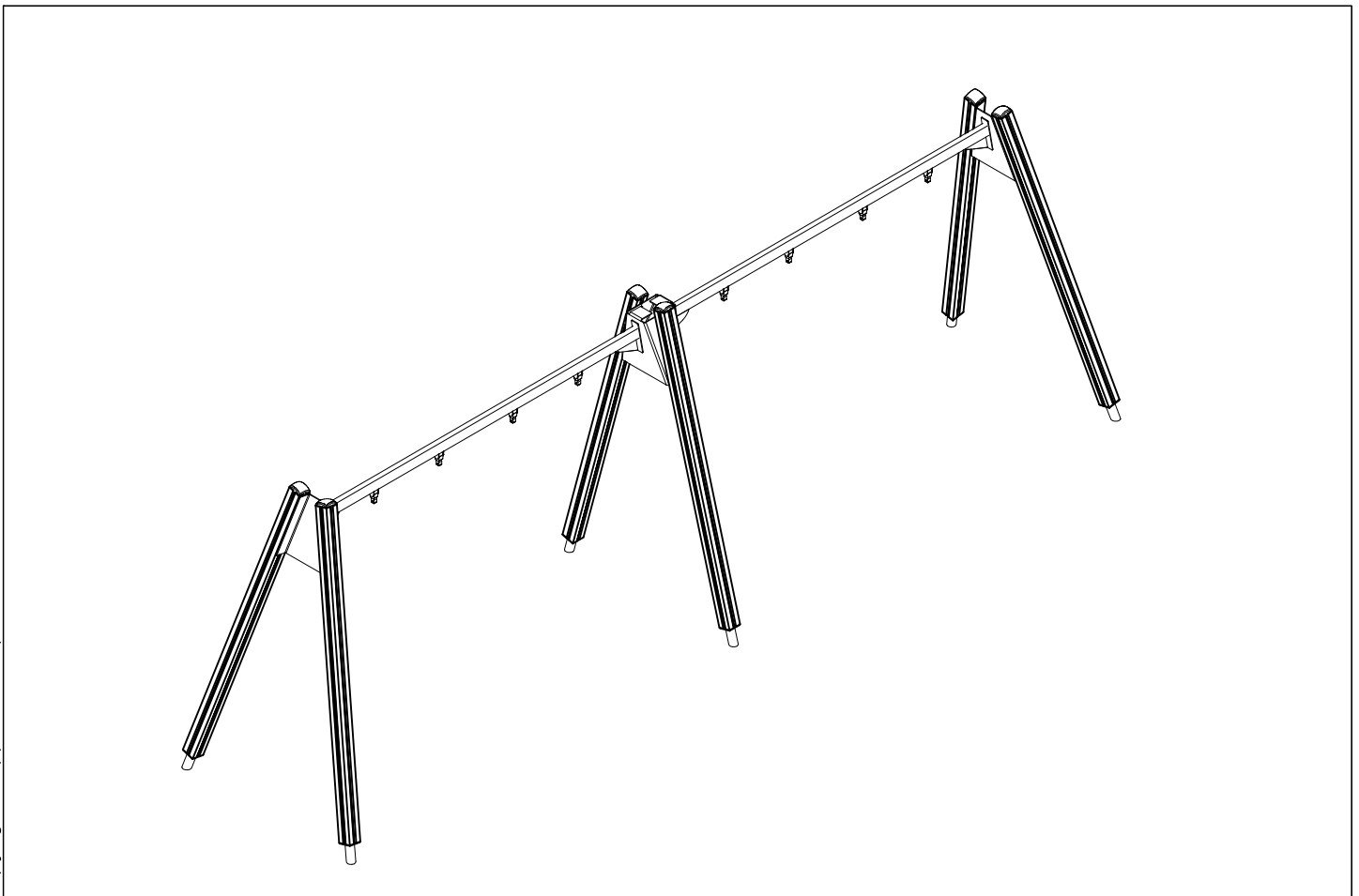
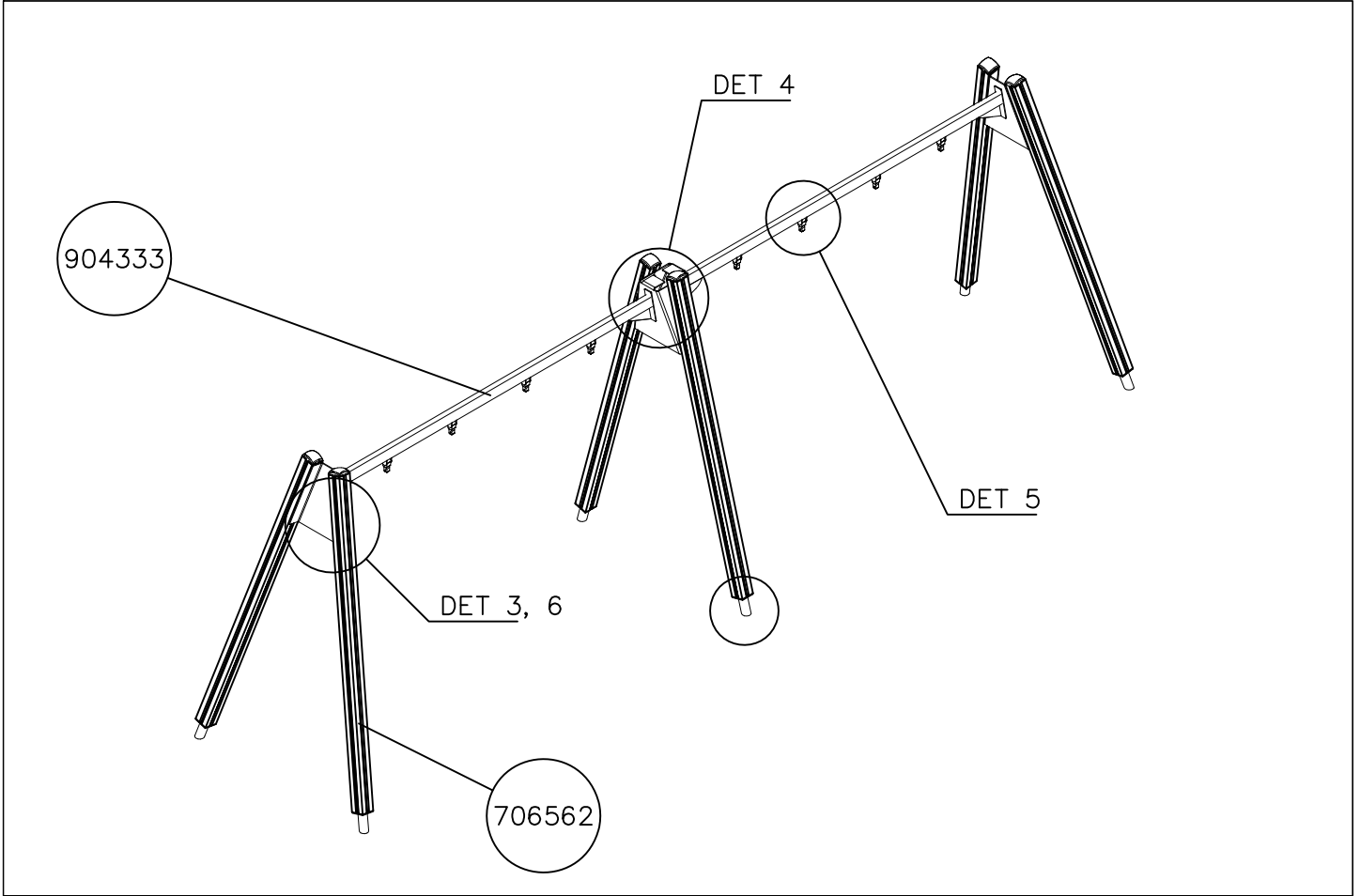
Max Falling Height 1200 mm

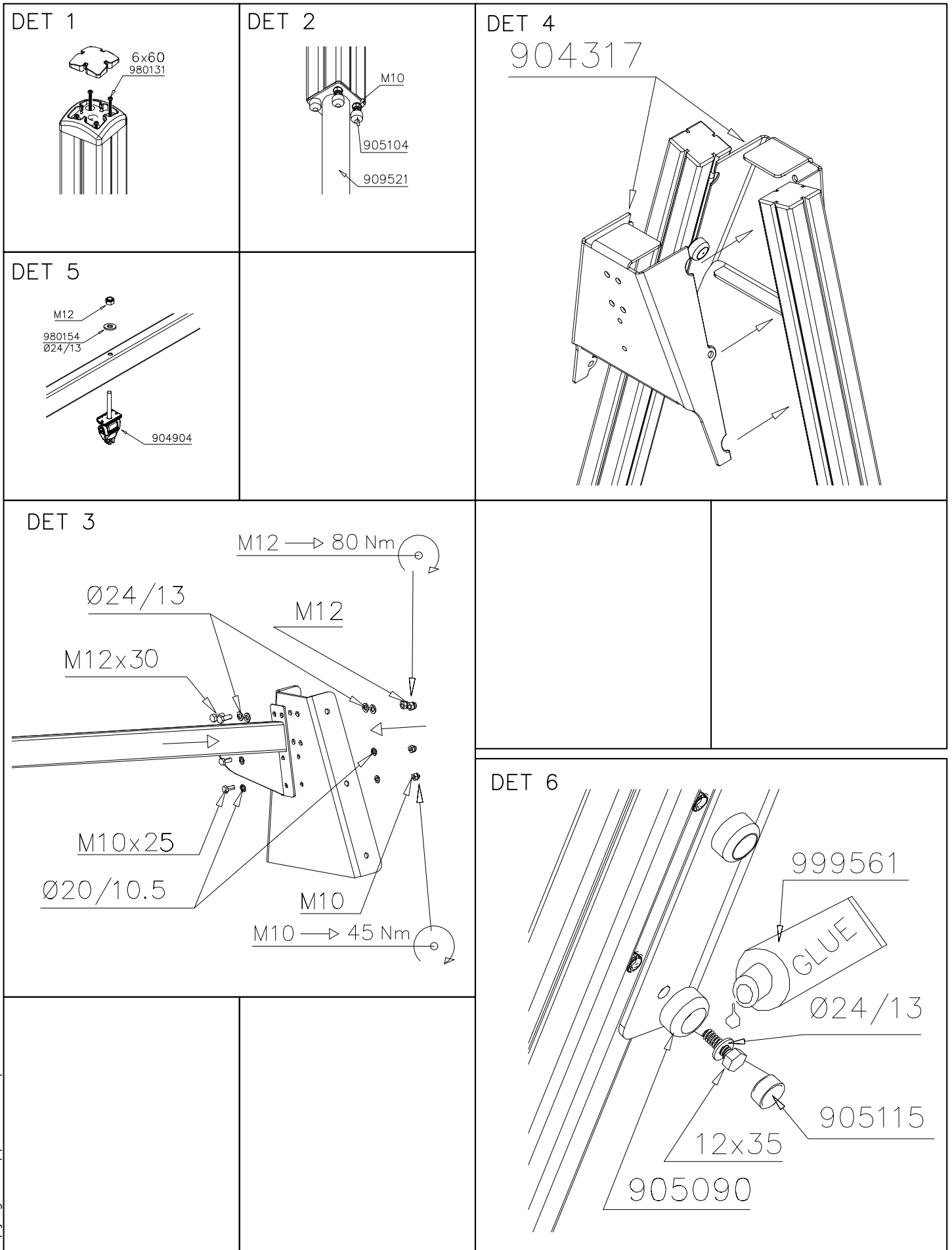


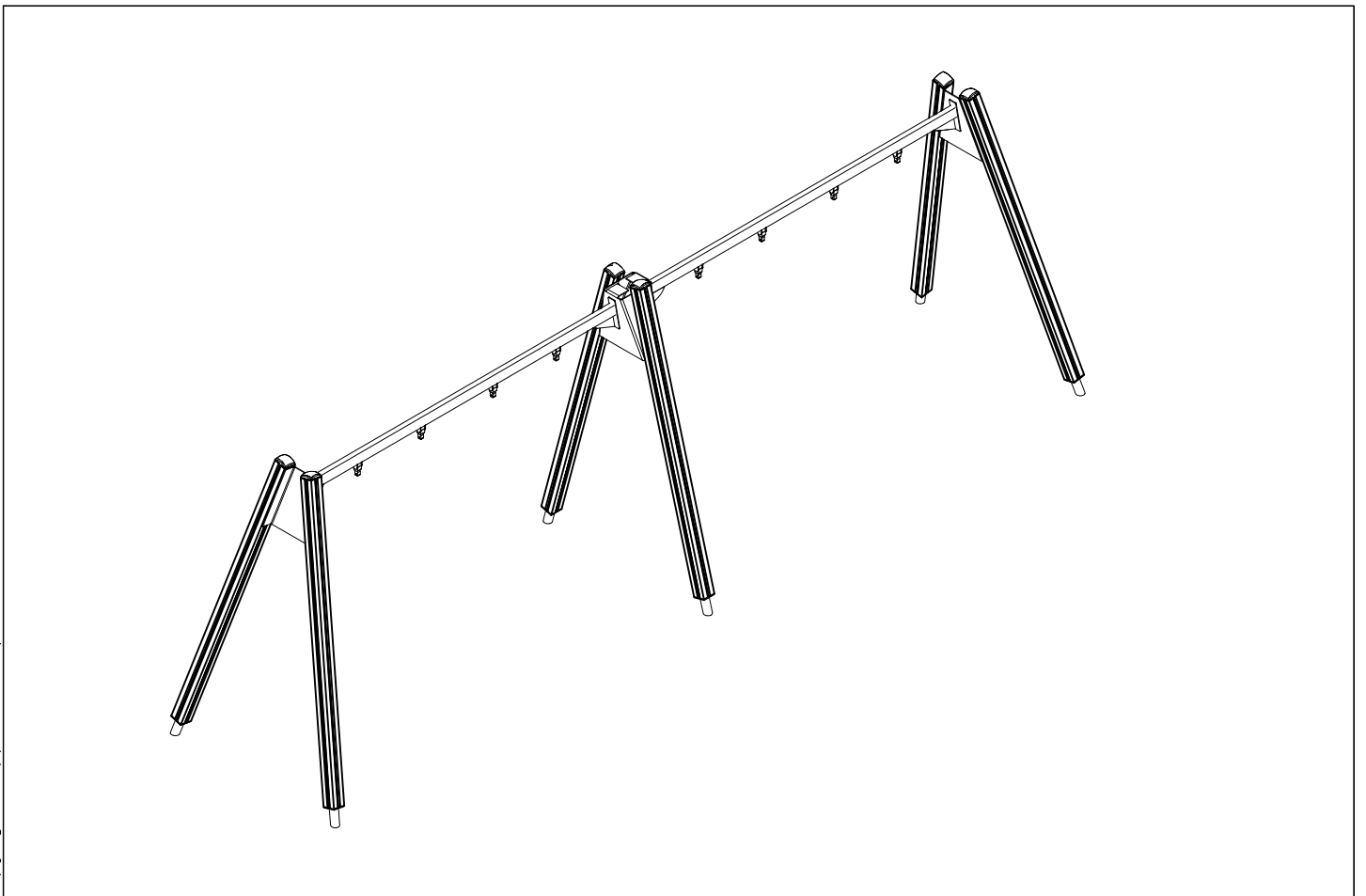
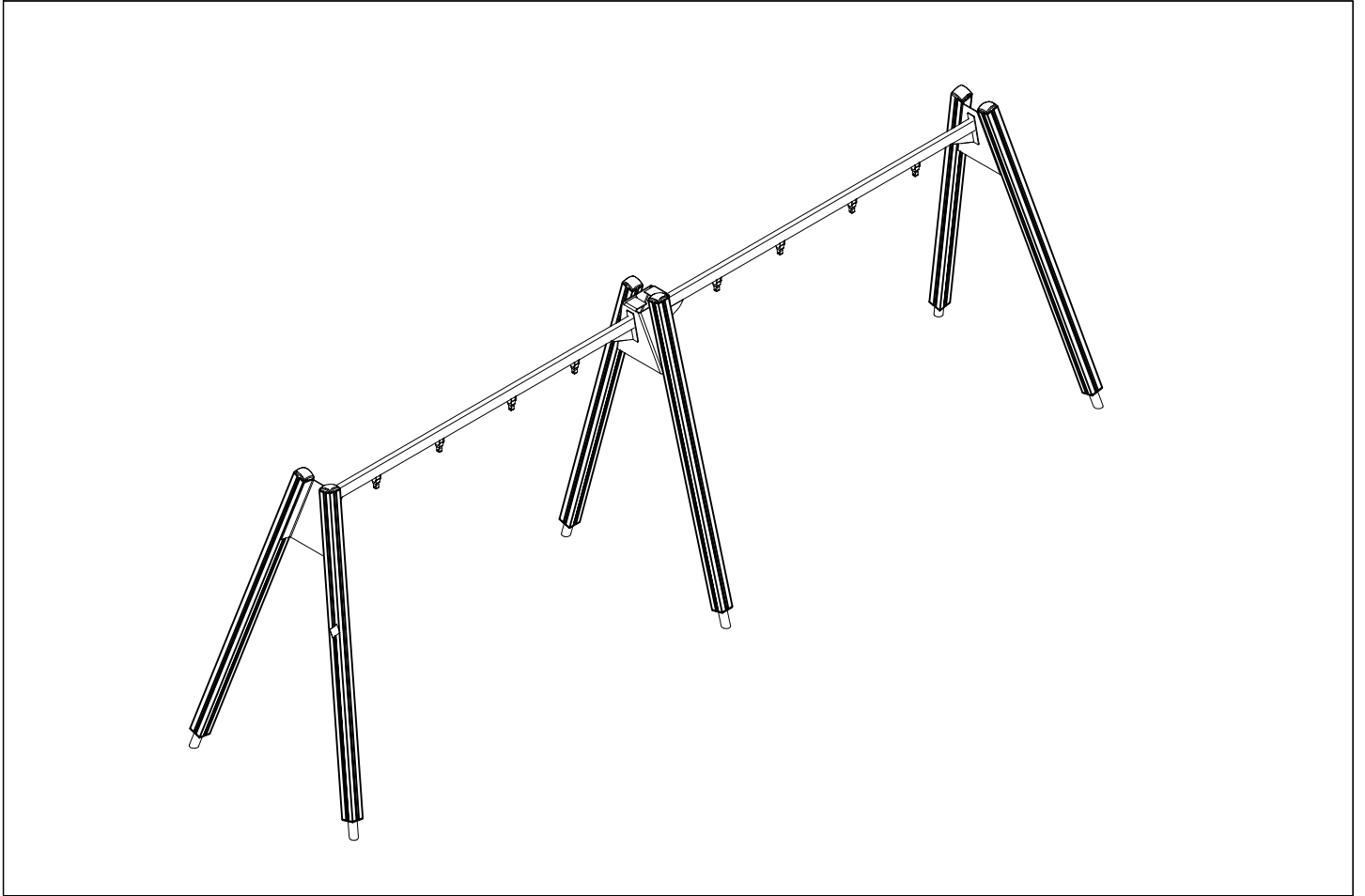
|  |  |  |
|--|--|--|
|  <p>550</p>   |  <p>M10<br/>Ø20/10.5<br/>M10x25</p> |  <p>630</p> |
|  <p>909511<br/>10x25<br/>Ø20/10.5<br/>M10<br/>909519</p> |  |  |
|  |  |  |
|  |  |  |

- EN/AS Impact Area 43.8 m<sup>2</sup>
- - - - Falling Space 43.8 m<sup>2</sup>  
Max Falling Height 1200 mm

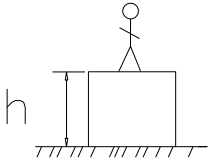



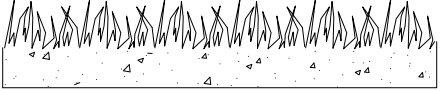
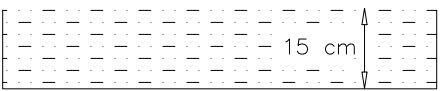
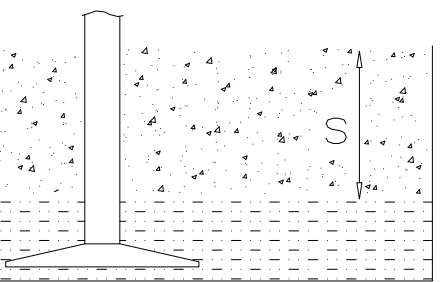
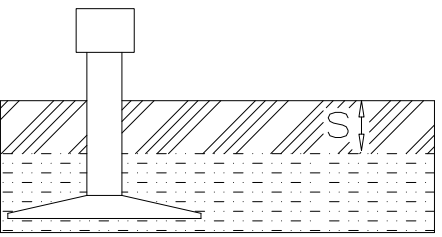




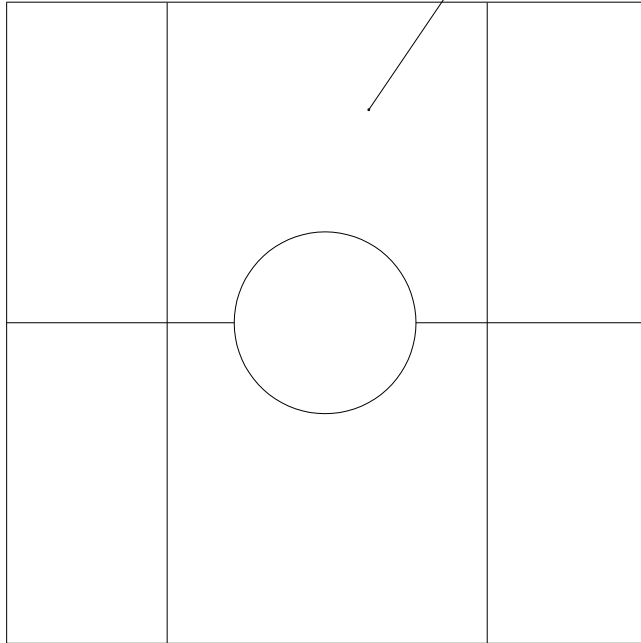




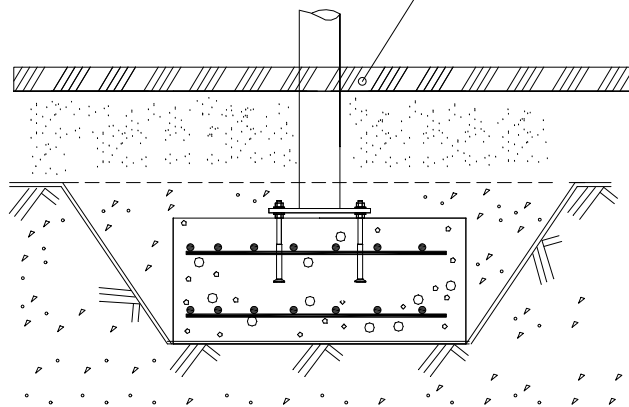


|   |  |   |                 |                 |                |         |                |         |                |       |                |   |
|---|--|---|-----------------|-----------------|----------------|---------|----------------|---------|----------------|-------|----------------|---|
|                 |  |   |                 |                 |                |         |                |         |                |       |                |   |
| <p><b><math>h &lt; 600</math></b></p> <p>Without movement and therefore without Impact Area</p> | <p>Totally hard surfaces.</p> <p>Note. Lappset does <u>not recommend</u> totally hard surfaces at all.</p>   | <p>E.g. concrete or asphalt</p>    |                 |                 |                |         |                |         |                |       |                |   |
| <p><b><math>h &lt; 600</math></b></p> <p>With movement e.g. rocking</p>                         | <p>Materials with very limited impact attenuating properties.</p>  | <p>E.g. wood</p>   |                 |                 |                |         |                |         |                |       |                |   |
| <p><b><math>h &lt; 1000</math></b></p>  | <p>Materials with significant impact attenuating properties.</p>   | <p>fine gravel 0–8 mm</p>  <p>grass</p>  <p>unsorted sand</p>  |                 |                 |                |         |                |         |                |       |                |   |
| <p><b><math>h &lt; 3000</math></b></p>  | <p>Loose fill material</p> <p>E.g.<br/>sand/gravel 0,25...8 mm D60/D10&lt;3,0<br/>Woodchips 5...30 mm<br/>bark 20...80 mm</p>  |  <table data-bbox="1021 1691 1332 1792"> <tr> <td><math>\underline{S}</math></td> <td><math>\underline{h}</math></td> </tr> <tr> <td>30 cm</td> <td>&lt; 2,0 m</td> </tr> <tr> <td>40 cm</td> <td>&lt; 3,0 m</td> </tr> </table>       | $\underline{S}$ | $\underline{h}$ | 30 cm          | < 2,0 m | 40 cm          | < 3,0 m |                |       |                |   |
| $\underline{S}$   | $\underline{h}$  |   |                 |                 |                |         |                |         |                |       |                |   |
| 30 cm   | < 2,0 m  |   |                 |                 |                |         |                |         |                |       |                |   |
| 40 cm   | < 3,0 m  |   |                 |                 |                |         |                |         |                |       |                |   |
|   | <p>Syntethic granulates</p> <table data-bbox="406 1892 758 2060"> <tr> <td><math>\underline{S}</math></td> <td><math>\underline{h}</math></td> </tr> <tr> <td>40 mm</td> <td>~&gt; 1,2...1,3 m</td> </tr> <tr> <td>50 mm</td> <td>~&gt; 1,5...1,7 m</td> </tr> <tr> <td>60 mm</td> <td>~&gt; 1,8...2,0 m</td> </tr> <tr> <td>70 mm</td> <td>~&gt; 2,1...2,5 m</td> </tr> </table> <p>Note. For accurate values, see manufacturer's instructions.</p> | $\underline{S}$   | $\underline{h}$ | 40 mm           | ~> 1,2...1,3 m | 50 mm   | ~> 1,5...1,7 m | 60 mm   | ~> 1,8...2,0 m | 70 mm | ~> 2,1...2,5 m |  |
| $\underline{S}$   | $\underline{h}$  |   |                 |                 |                |         |                |         |                |       |                |   |
| 40 mm   | ~> 1,2...1,3 m   |   |                 |                 |                |         |                |         |                |       |                |   |
| 50 mm   | ~> 1,5...1,7 m   |   |                 |                 |                |         |                |         |                |       |                |   |
| 60 mm   | ~> 1,8...2,0 m   |   |                 |                 |                |         |                |         |                |       |                |   |
| 70 mm   | ~> 2,1...2,5 m   |   |                 |                 |                |         |                |         |                |       |                |   |

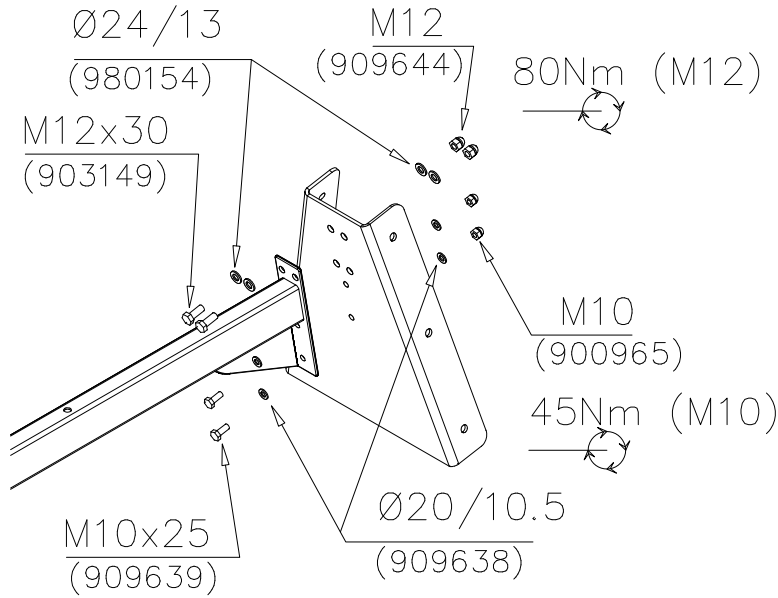
REMOVE SAFETY SURFACE/SAND/GRAVEL  
TO CHECK FOUNDATION



REMOVE SAFETY SURFACE/SAND/GRAVEL  
TO CHECK FOUNDATION

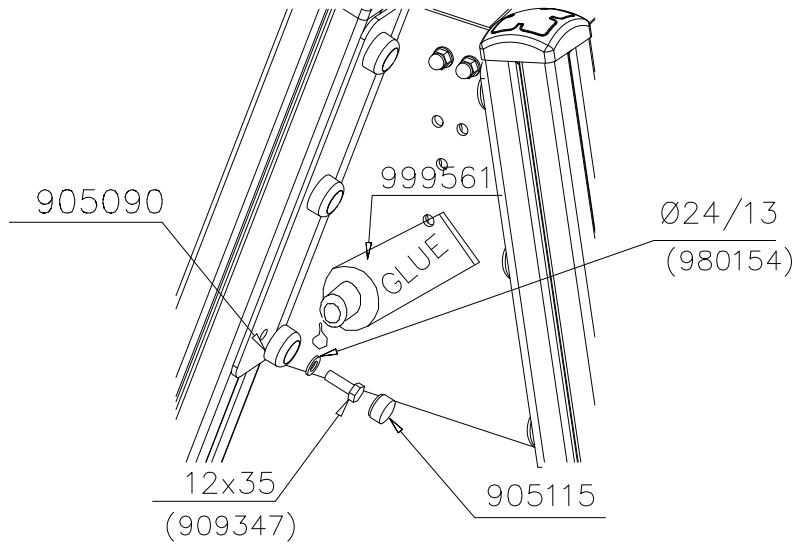


DET A



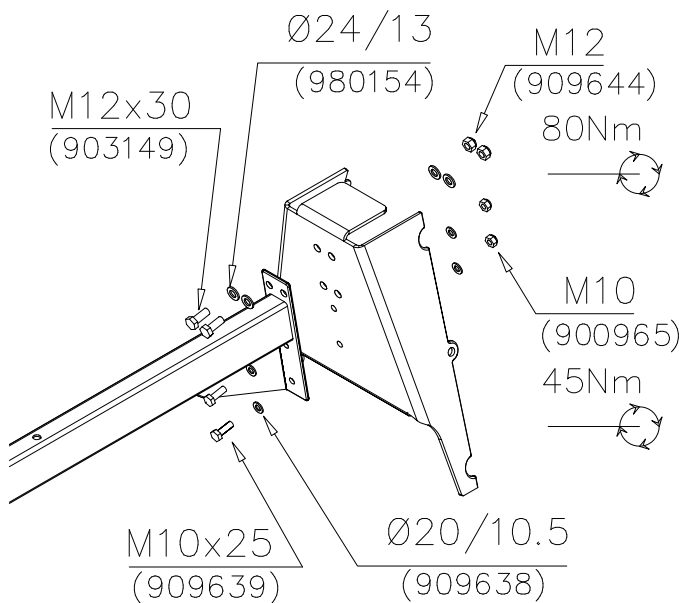
-  M12x30 2 pcs
-  Ø24/13 4 pcs
-  M12 2 pcs
-  M10x25 2 pcs
-  Ø20/10.5 4 pcs
-  M10 2 pcs
-  905991 1 pcs

DET A1



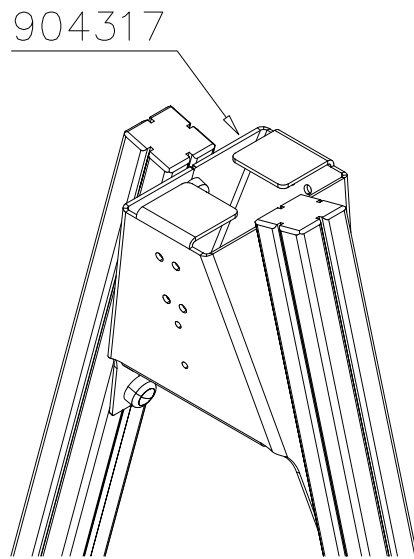
-  M12x35 6 pcs
-  Ø24/13 6 pcs
-  Ø45 6 pcs
-  Ø30 6 pcs
-  GLUE

DET B

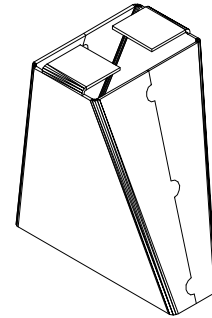


-  M12x30 2 pcs
-  Ø24/13 4 pcs
-  M12 2 pcs
-  M10x25 2 pcs
-  Ø20/10.5 4 pcs
-  M10 2 pcs

DET B

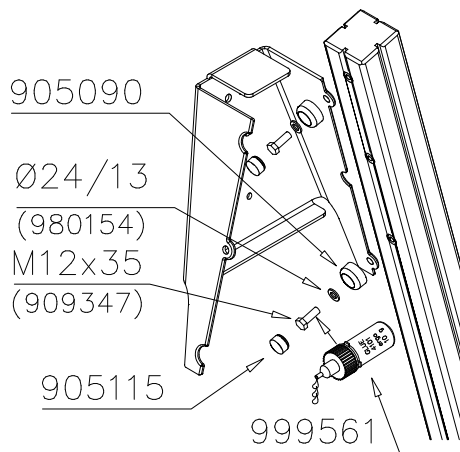


904317



904317

DET B1



905090

Ø24/13

(980154)

M12x35

(909347)

905115

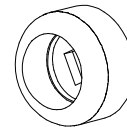
999561



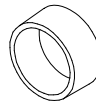
M12x35 6 pcs



Ø24/13 6 pcs



Ø45 6 pcs

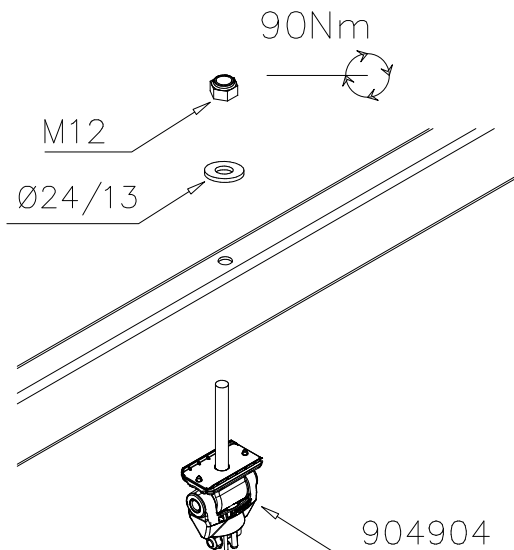


Ø30 6 pcs



GLUE

DET C

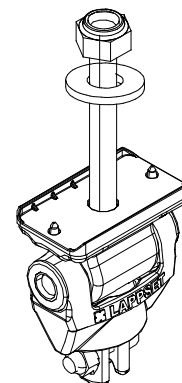


90Nm

M12

Ø24/13

904904



904904

DET D

90Nm

M12x110  
(906499)

Ø24/13  
(980154)

901958

M8x35

Ø24/13  
(980154)

M12  
(902234)

M8

CUT EXTRA CHAIN

M12x110 2 pcs

Ø24/13 4 pcs

M12 2 pcs

901958 1 pcs

DET D

903577

903577 1 pcs

DET E

6x60  
980131

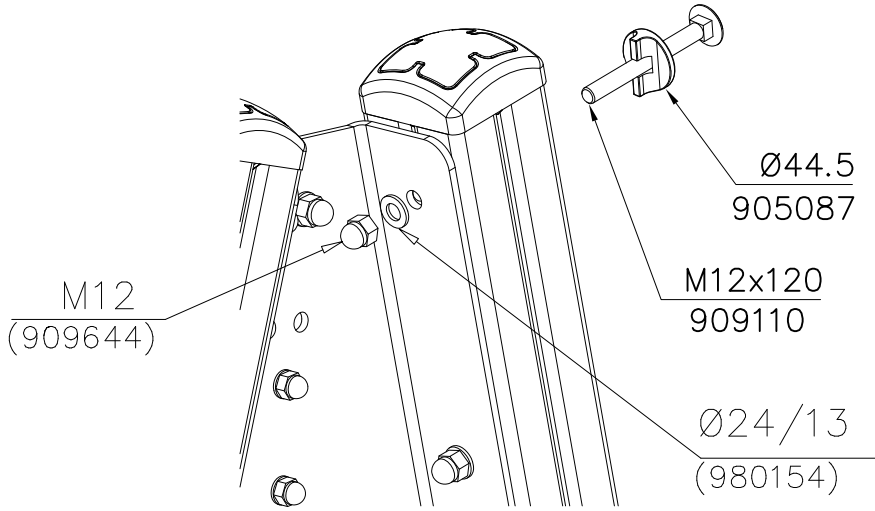
980131 4 pcs

905138 1 pcs

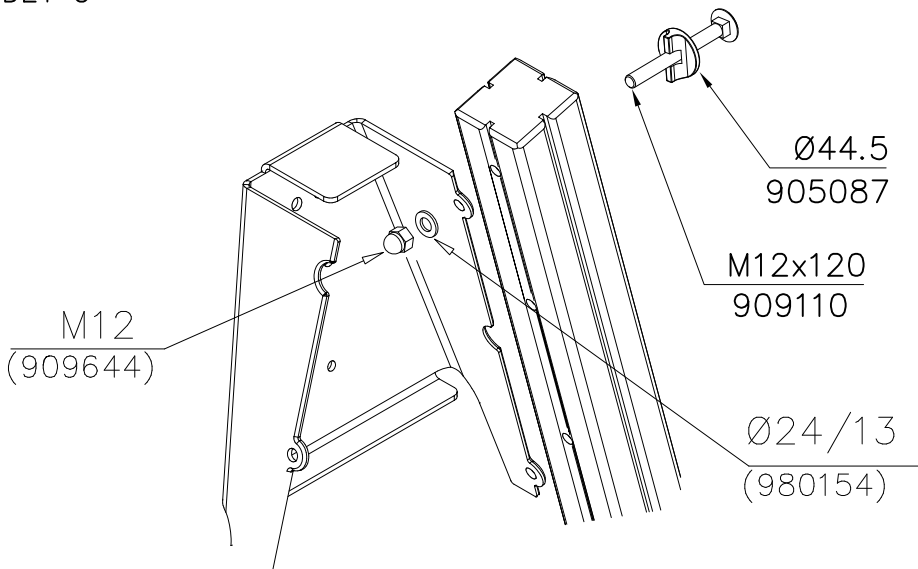
905196 1 pcs

REF: SWING  
DATE: 29.6.2022

DET F



DET G

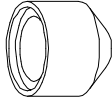


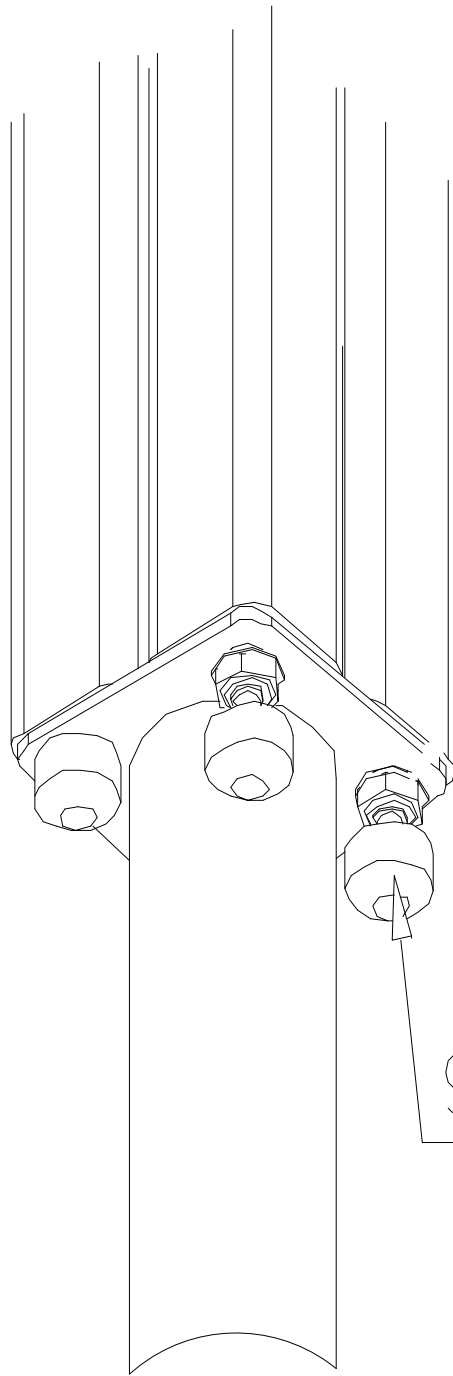
**LAPPSET®**  
**BETON FOUNDATION**

**FOOT**

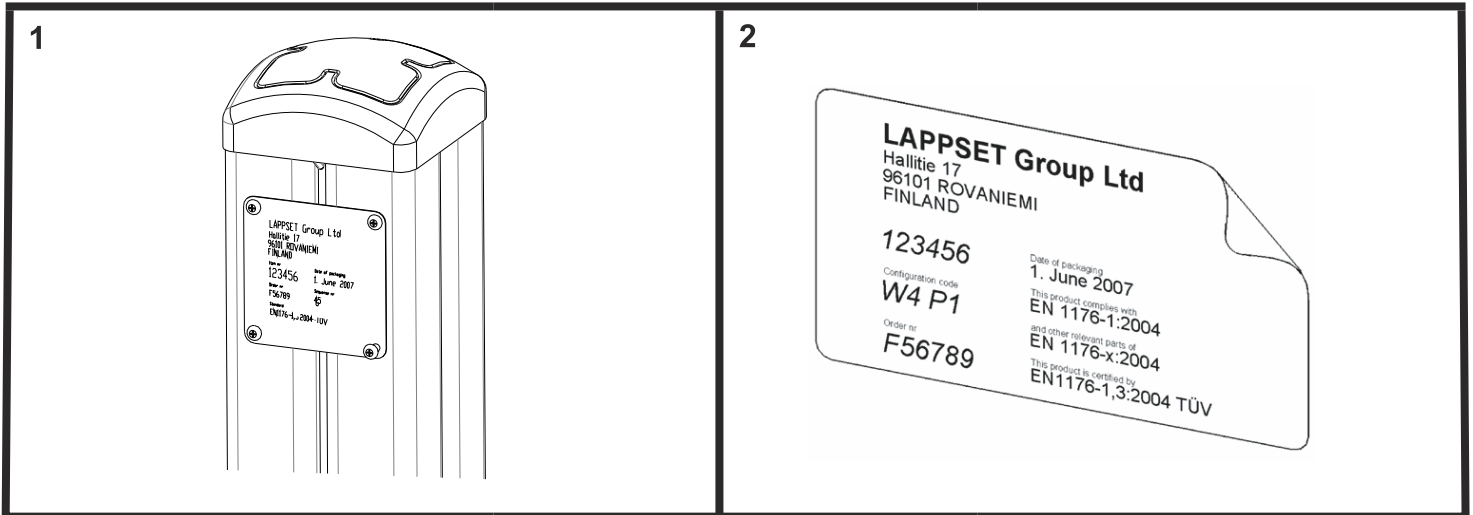
DATE: 27.10.2015

**1(1)**

|  |     |  |     |
|--|-----|--|-----|
| ② 905104   | PCS |  | PCS |
|  | 4   |  |     |
| <br>M10 | PCS |  | PCS |
|  |     |  |     |



905104

**Tuotekyltti tulee tuotteen mukana yhdellä seuraavista tavoista:****1) Metallinen tuotekyltti ja kiinnitysruuvit**

- Kiinnitä tuotekyltti ruuveilla tolppaan noin 2 metrin korkeuteen kuvan 1 mukaisesti.

**2) Tuotekylttitarra**

- Puhdista maalattu metalli- tai vaneripinta pölystä ja kosteudesta. Liimaa tarra kuvan 2 mukaisesti.
- Huom. Älä kiinnitä tarraa karheapintaiseen laminaattiin tai maalattuun puuhun.

**Vår produktmärkning levereras på ett av följande sätt:****1) Produktskylt i metall**

- Fäst skylten med de medföljande skruvarna

**2) Självhäftande produktetikett**

- Rengör den pulverlackerade metallytan eller laminatyten så att den blir fri från smuts och fukt. Fäst etiketten enligt fig. 2.
- Obs! Fäst ej etiketten på detaljer med skrovlig yta eller på målat trä.

**Product label is delivered by one of following ways:****1) Metal product label and screws**

- Fasten the label with screws.

**2) Label sticker**

- Clean the painted metal or plywood surface from dirt and moisture. Fasten the sticker as shown in the figure 2.
- Note. Do not attach the sticker to rough surfaced laminate or painted wood.

**La plaque d'informations produit est livrée sous l'une de ces 3 formes :****1) Plaque métallique et vis**

- Fixez la plaque à l'aide des vis.

**2) Etiquette autocollante**

- Avant de coller l'étiquette, nettoyez le composant métallique peint ou la plaque de contreplaqué, de toute saleté. La surface doit être sèche (voir image 2).
- Attention, ne pas coller l'étiquette sur une surface lamellé-collée irrégulière ou sur du bois peint.

**Die Auslieferung des Produktaufklebers erfolgt auf eine dieser Arten:****1) Produkt-Schild aus Metall incl. Schrauben**

- Die Befestigung des Schildes erfolgt mittels der Schrauben.

**2) Aufkleber**

- Entfernen Sie zunächst Schmutz und Feuchtigkeit vom lackierten Metall bzw. von der Holzoberfläche und bringen Sie den Aufkleber wie im Bild oben rechts beschrieben auf den gesäuberten Untergrund auf.
- Beachten Sie: Bringen Sie den Aufkleber nicht auf raues laminiertes oder lackiertes Holz an.