


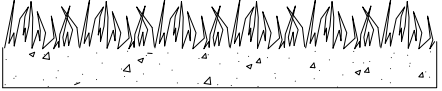
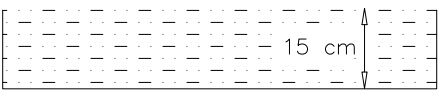
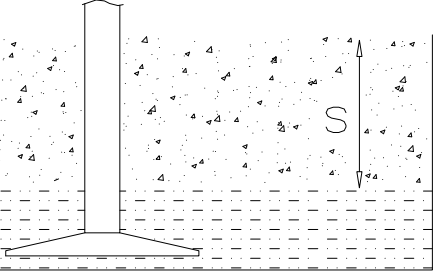
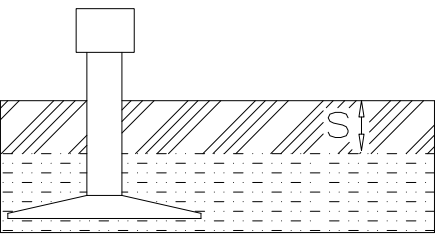
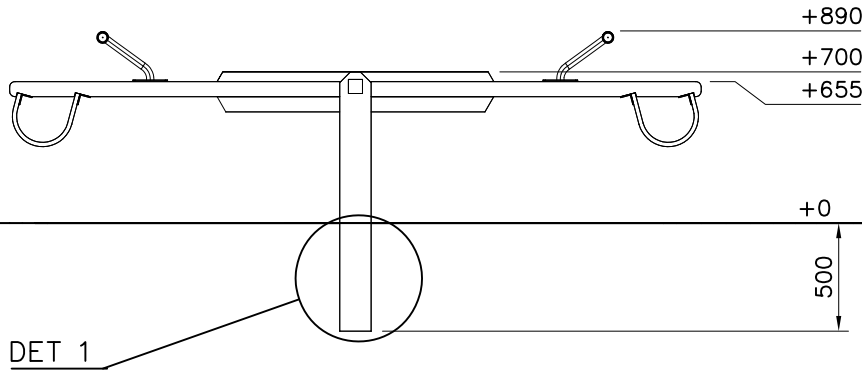
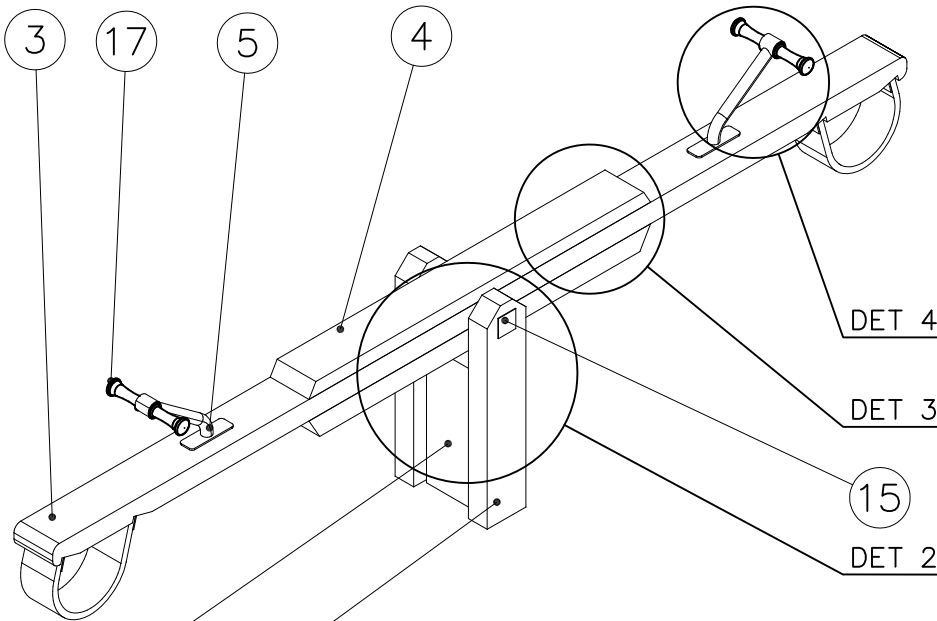
		
<p>$h < 600$</p> <p>Without movement and therefore without Impact Area</p>	<p>Totally hard surfaces.</p> <p>Note. Lappset does <u>not recommend</u> totally hard surfaces at all.</p>	<p>E.g. concrete or asphalt</p> 
<p>$h < 600$</p> <p>With movement e.g. rocking</p>	<p>Materials with very limited impact attenuating properties.</p>	<p>E.g. wood</p> 
<p>$h < 1000$</p>	<p>Materials with significant impact attenuating properties.</p>	<p>fine gravel 0–8 mm</p>  <p>grass</p>  <p>unsorted sand</p> 
<p>$h < 3000$</p>	<p>Loose fill material</p> <p>E.g. sand/gravel 0,25...8 mm D60/D10<3,0 Woodchips 5...30 mm bark 20...80 mm</p>	 <p>\underline{S} \underline{h}</p> <p>30 cm < 2,0 m</p> <p>40 cm < 3,0 m</p>
	<p>Syntethic granulates</p> <p>\underline{S} \underline{h}</p> <p>40 mm ~> 1,2...1,3 m</p> <p>50 mm ~> 1,5...1,7 m</p> <p>60 mm ~> 1,8...2,0 m</p> <p>70 mm ~> 2,1...2,5 m</p> <p>Note. For accurate values, see manufacturer's instructions.</p>	

REMOVE SAFETY SURFACE/SAND/GRAVEL
TO CHECK FOUNDATION



REMOVE SAFETY SURFACE/SAND/GRAVEL
TO CHECK FOUNDATION

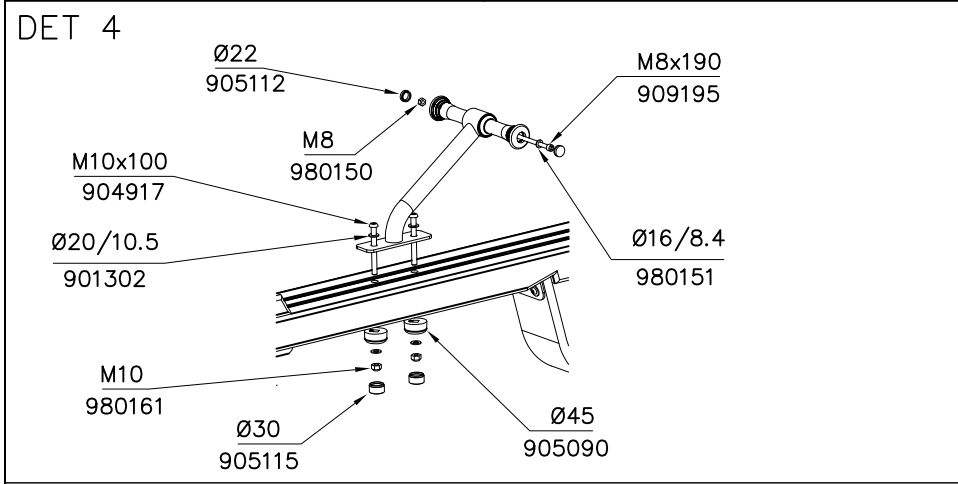
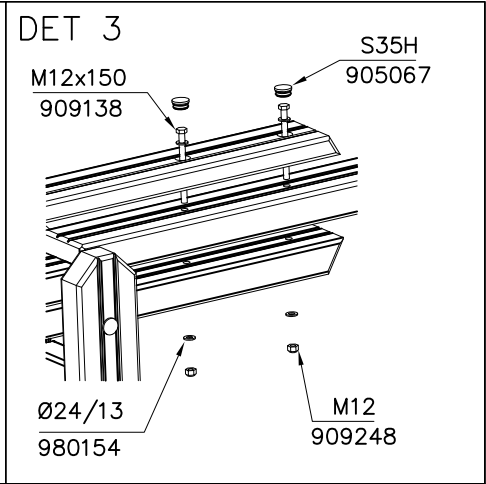
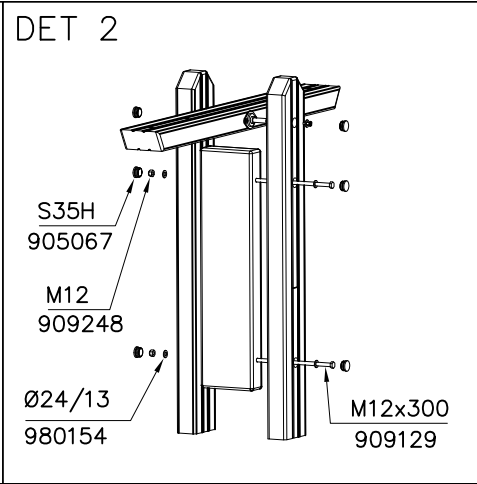
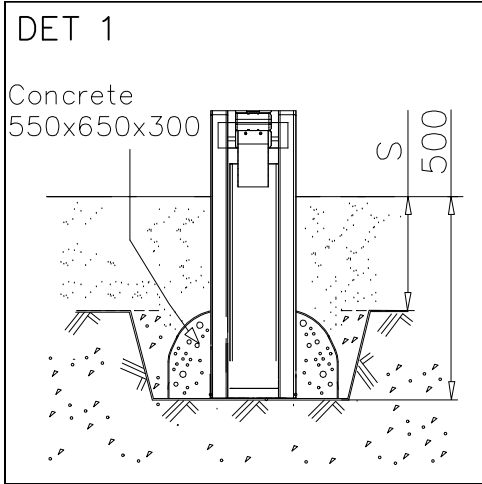




①	703190	PCS	②	703196	PCS
		1			1
				70x195x800	
③	703195	PCS	④	703194	PCS
		2			1
	L 1600			L 1280	
⑤	910364	PCS	⑥	909129	PCS
		2			2
				M12x300	
⑦	909138	PCS	⑧	904917	PCS
		4			4
	M12x150			M10x100	
⑨	905090	PCS	⑩	905067	PCS
		4			10
	Ø45			S35H	
⑪	905115	PCS	⑫	980154	PCS
		4			12
	Ø30			Ø24/13	
⑬	909248	PCS	⑭	980161	PCS
		6			4
	M12			M10	
⑮	901302	PCS	⑯	980151	PCS
		8			2
	Ø20/10.5				
⑰	905112	PCS	⑰	905023	PCS
		4			4
	Ø22			Ø50x126	
⑱	909195	PCS	⑳	980150	PCS
		2			2
	M8x190			M8	
㉑	702286	PCS	㉑	909506	PCS
		1			4
	90x50			Ø3.5x13	
					22

⑬	909248	PCS	⑭	980161	PCS	⑮	901302	PCS	⑰	905112	PCS	⑰	905023	PCS
		6			4			8			4			4
	M12			M10			Ø20/10.5			Ø22			Ø50x126	
⑱	909195	PCS	⑲	980151	PCS	⑳	980150	PCS	㉑	702286	PCS	㉑	909506	PCS
		2			2			2			1			4
	M8x190			Ø16/8.4			M8			90x50			Ø3.5x13	

LAPPSET Group Ltd
 2005/05/04
 2005/05/04
 2005/05/04
 2005/05/04



— EN Impact Area 11 m2
 - - - Falling Space 11 m2
 Max Falling Height 1200 mm

