

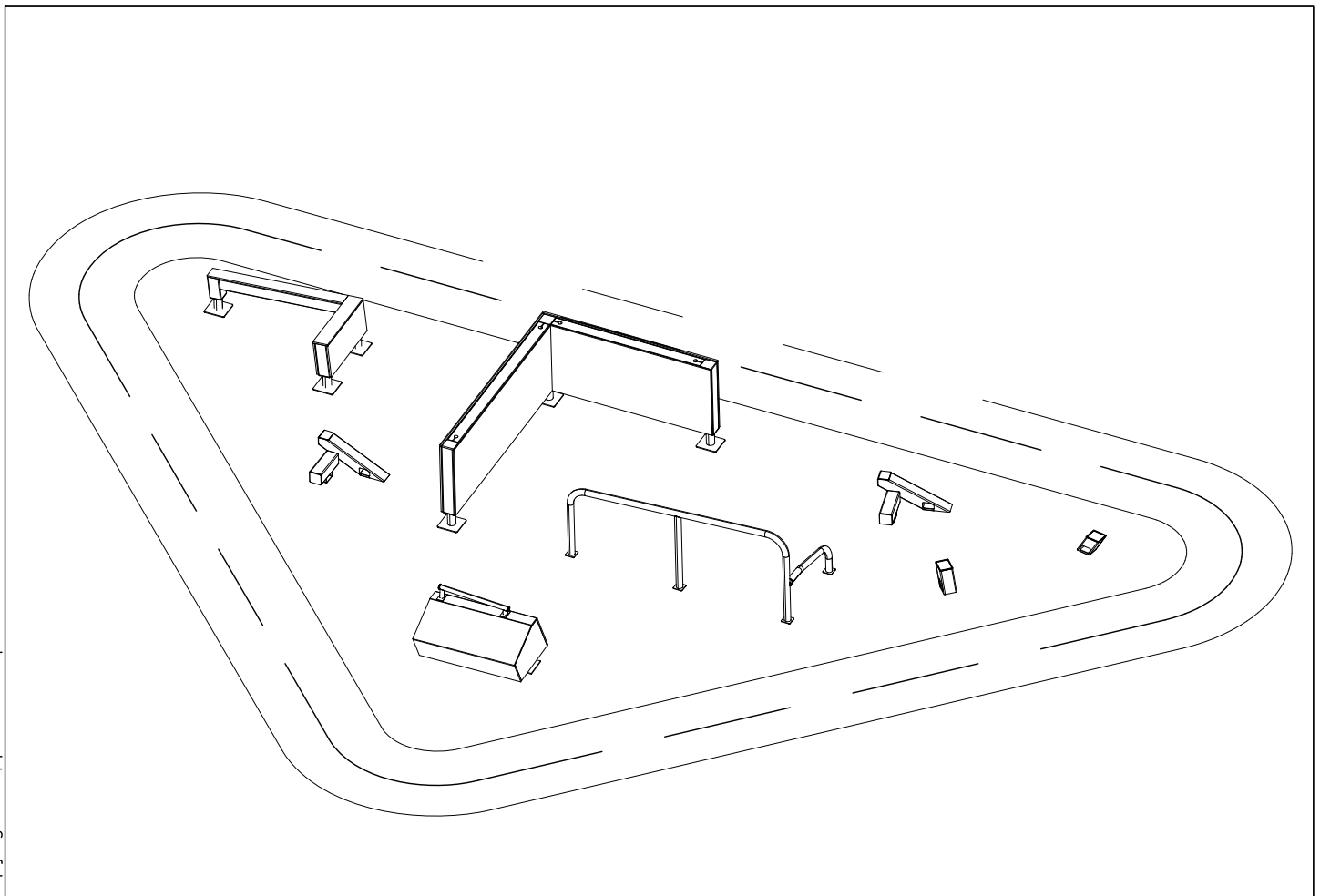
LAPPSET®

DASH PARKOUR

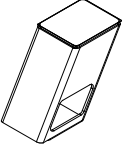
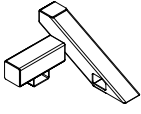
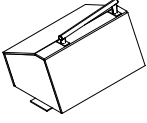
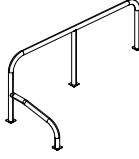
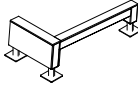
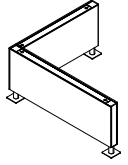
ASENNUSOHJE
MONTERINGSANSVISNING
INSTALLATION INSTRUCTION
AUFBAUANLEITUNG
NOTICE D'INSTALLATION

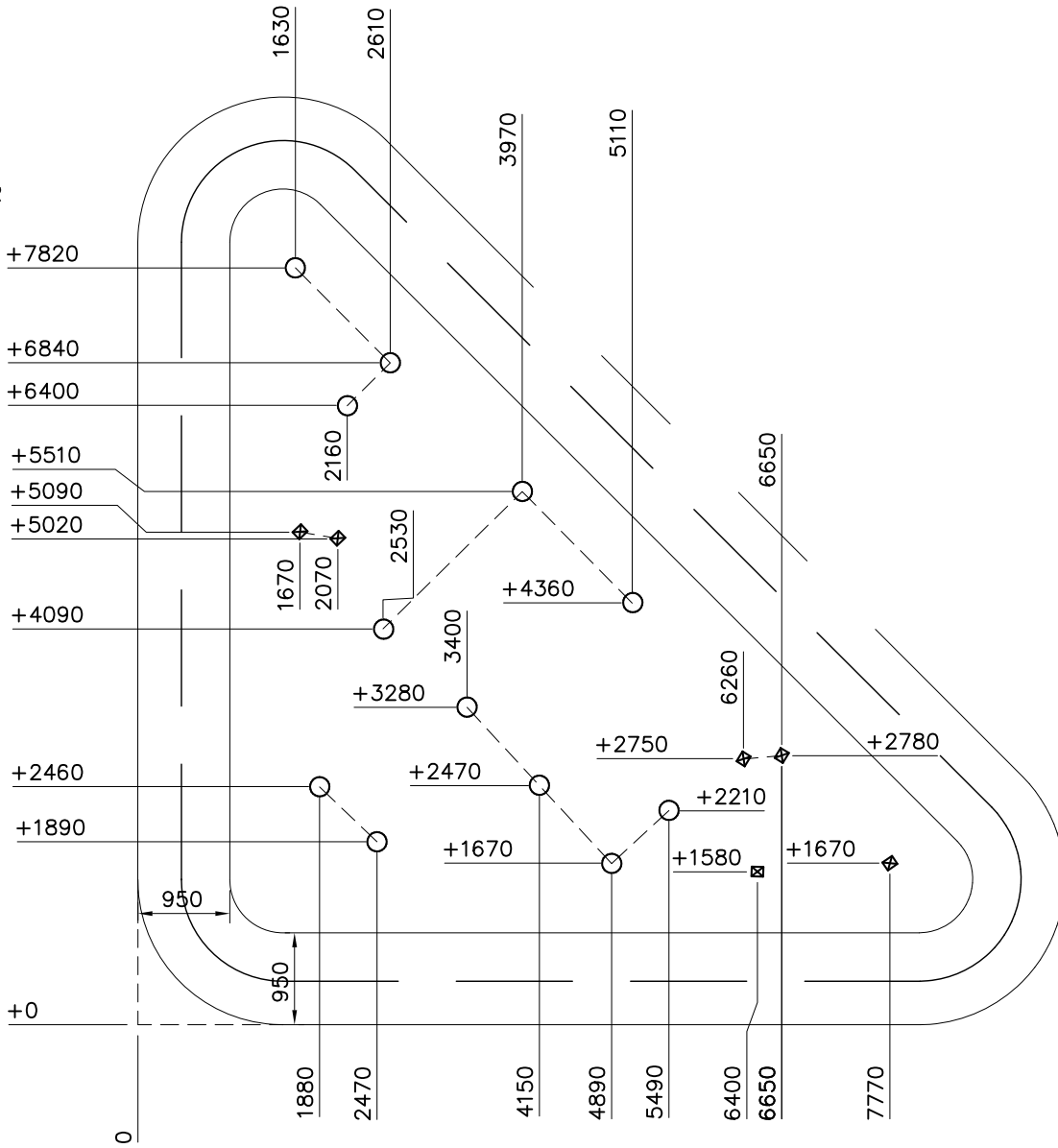
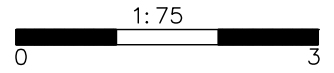
DATE: 30.10.2019

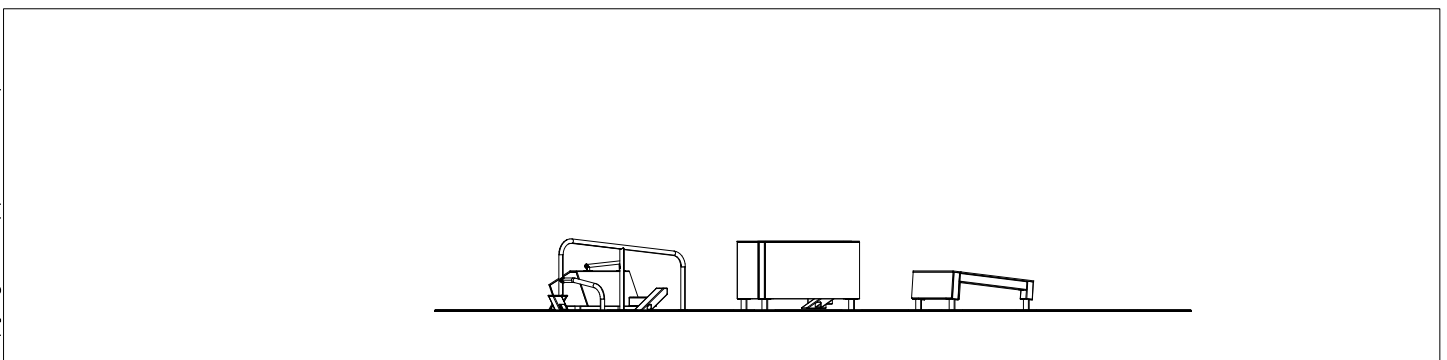
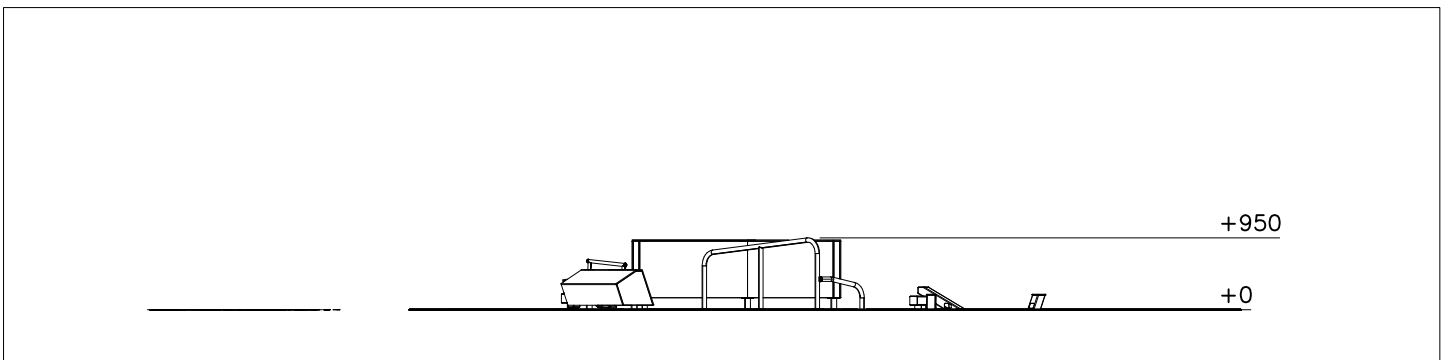
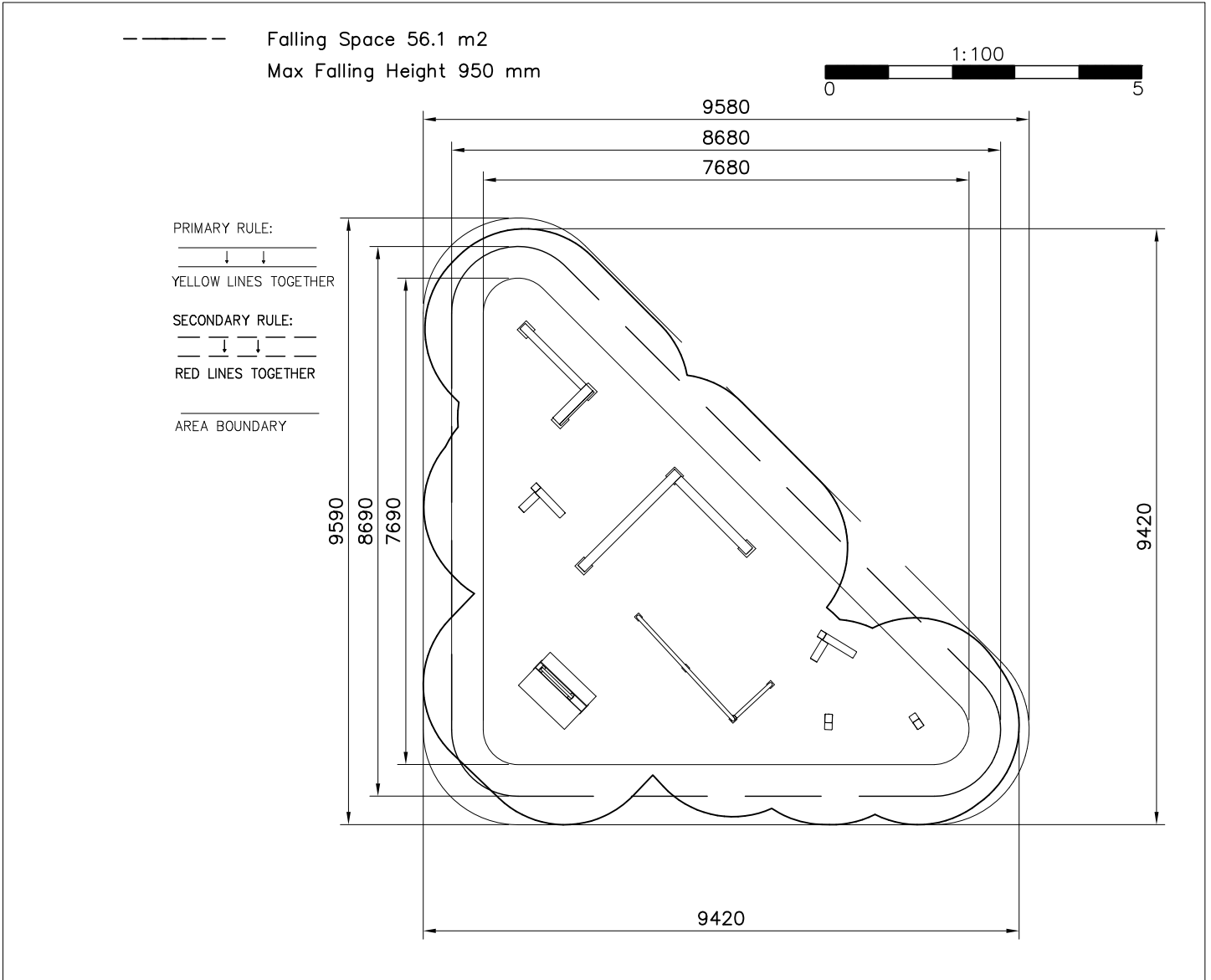
081762M

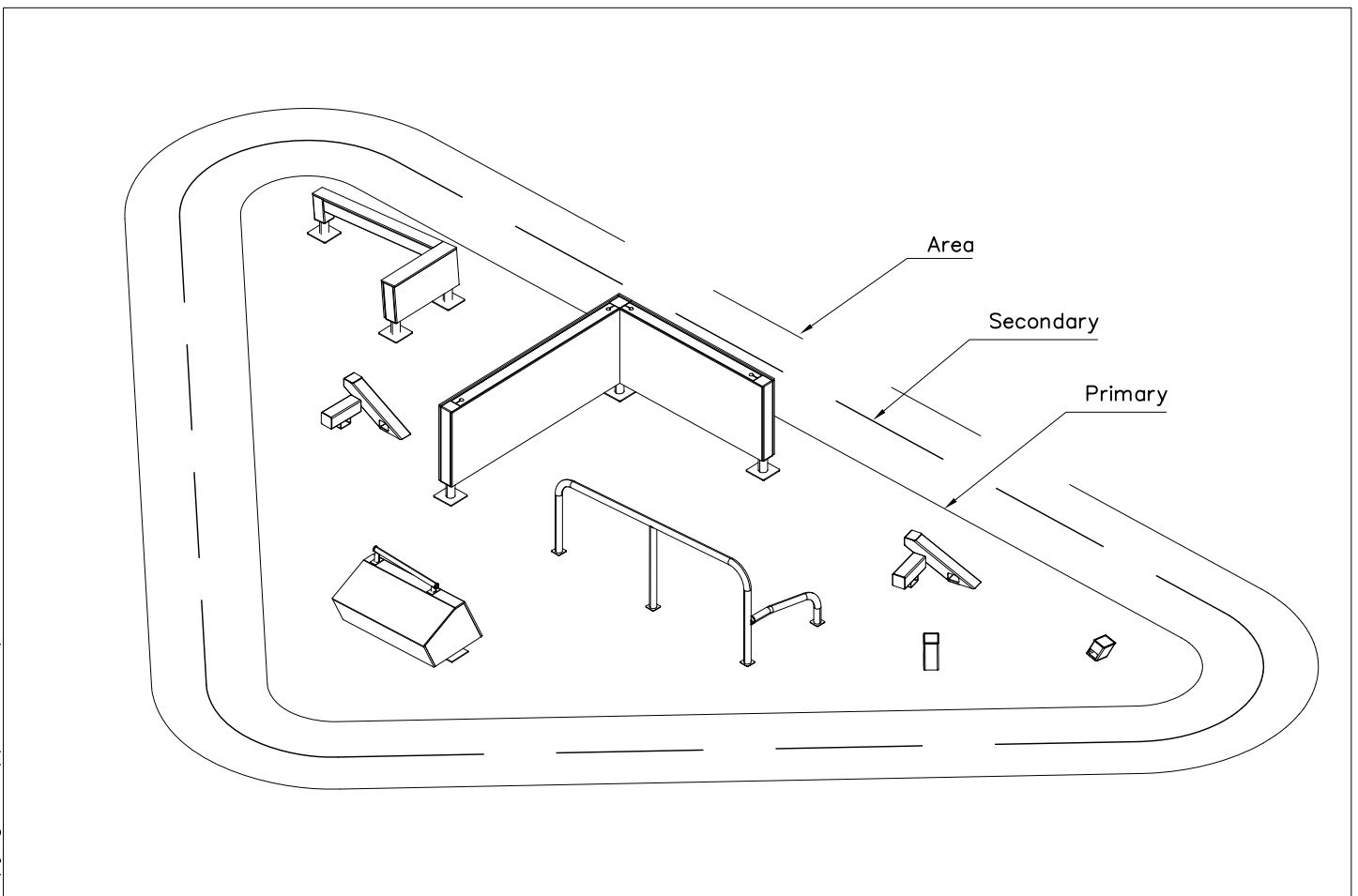
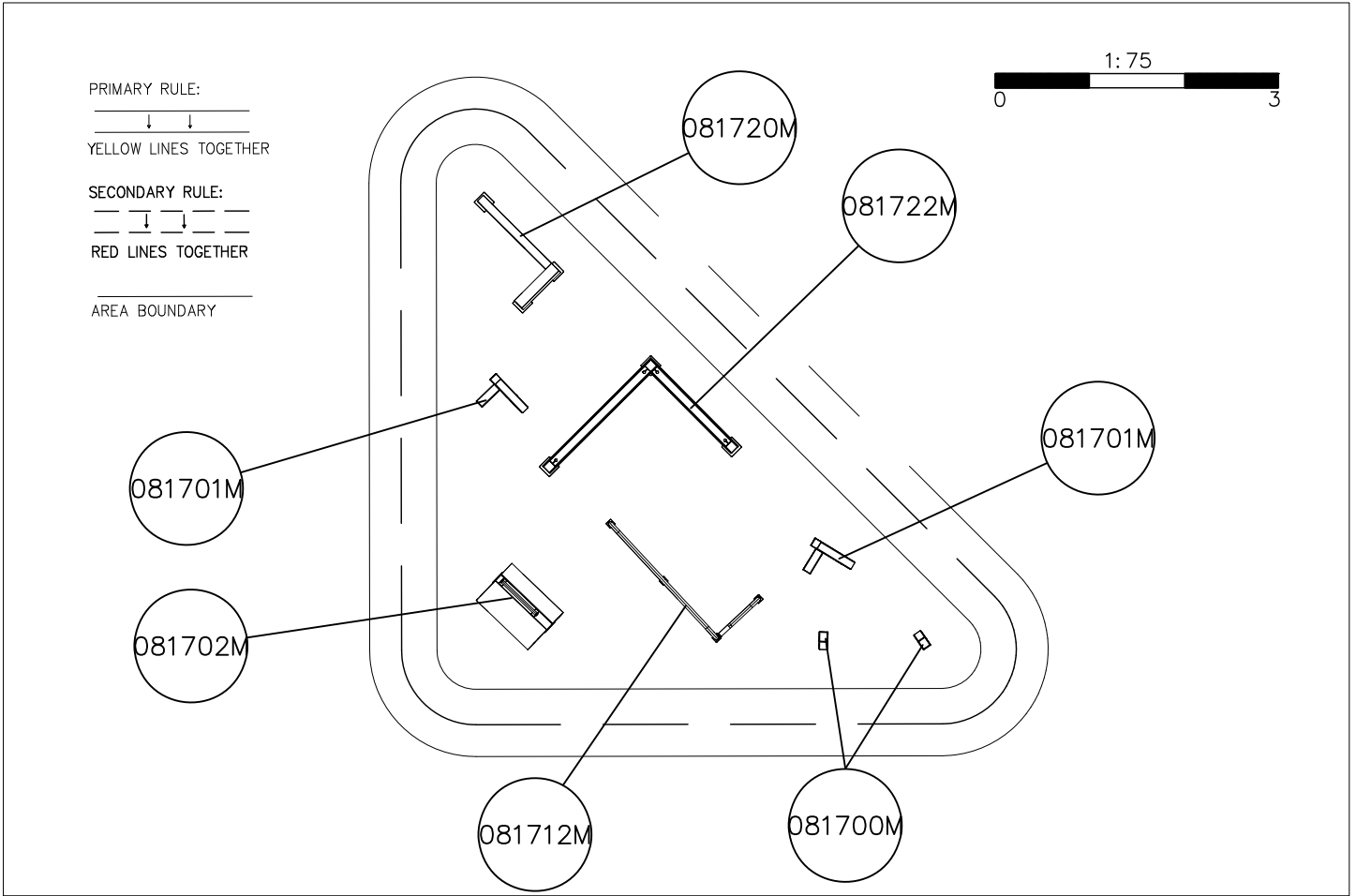


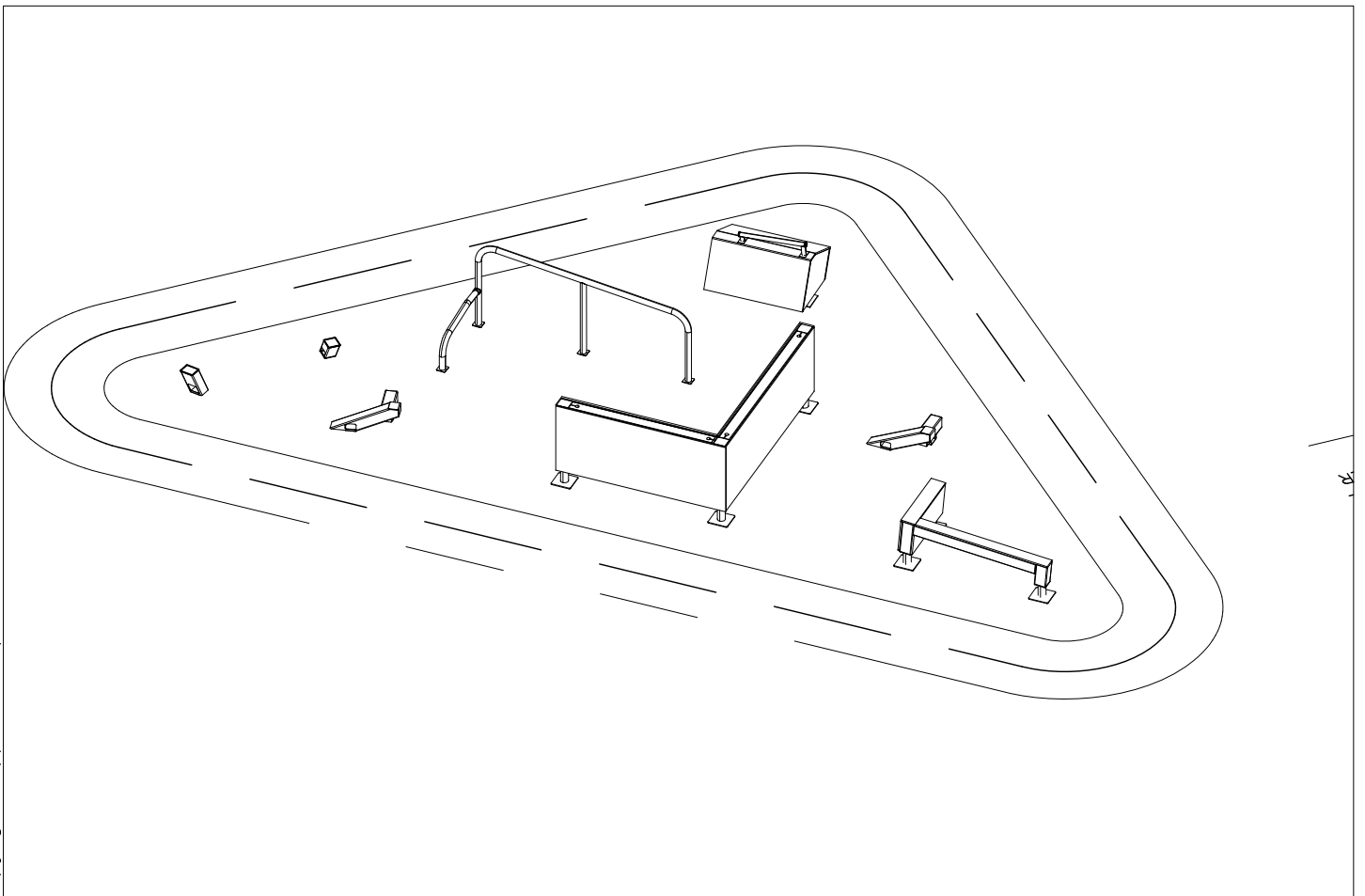
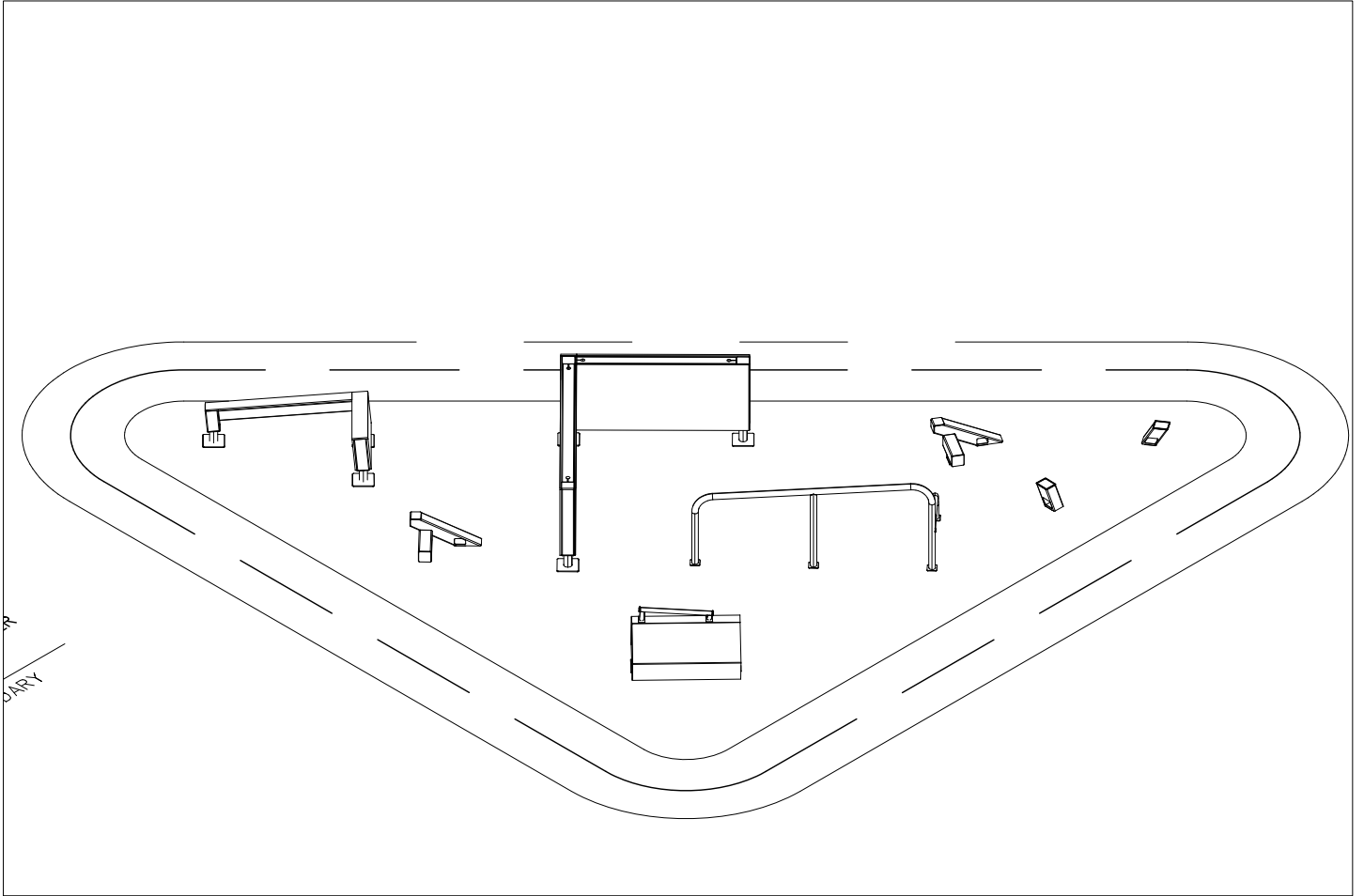
DATE: 30.10.2019

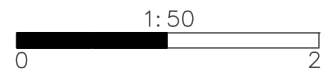
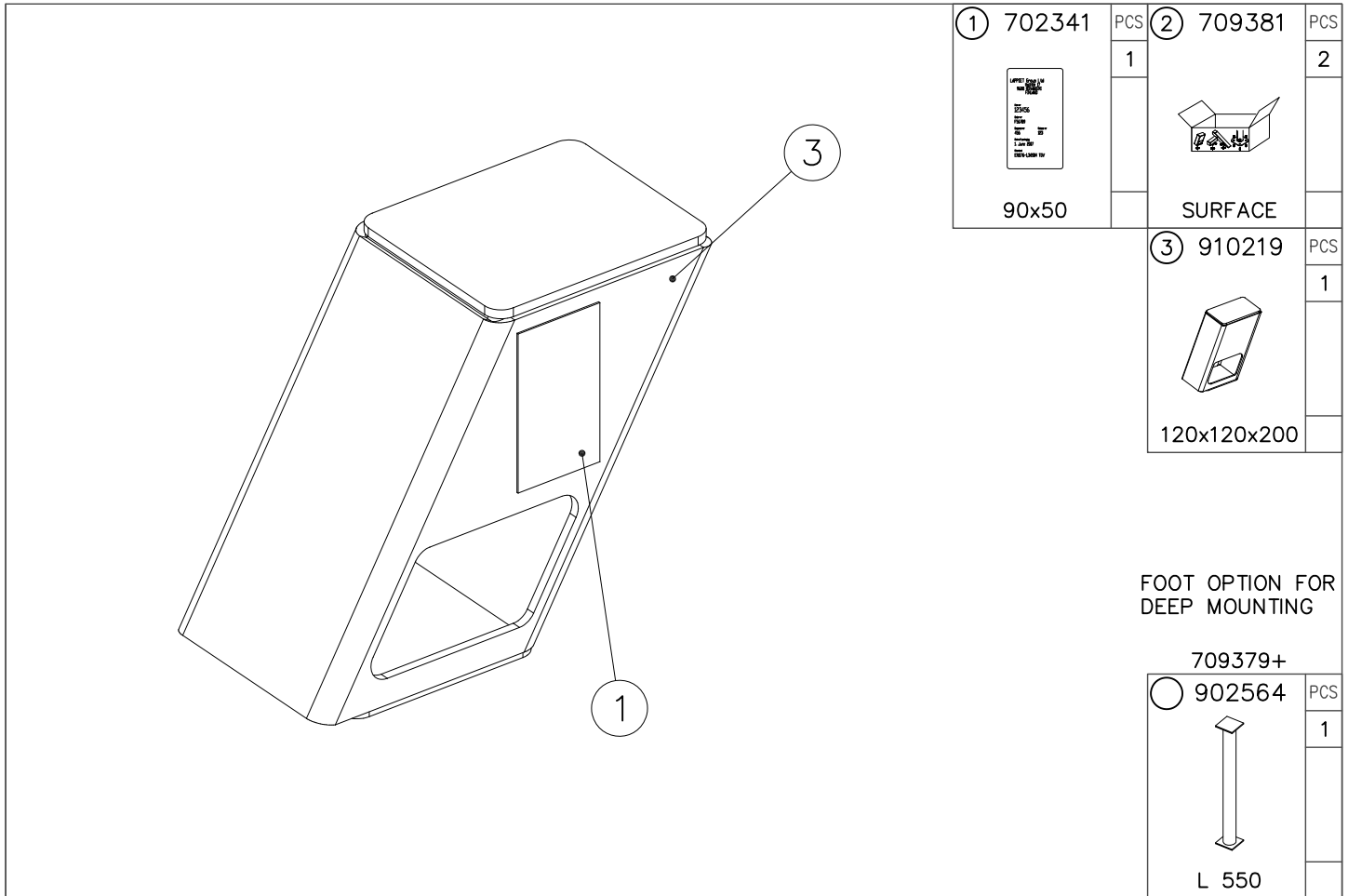
081700M	PCS	081701M	PCS	081702M	PCS	081712M	PCS	081720M	PCS	081722M	PCS
	2		2		1		1		1		1
	PCS		PCS		PCS		PCS		PCS		PCS
	PCS		PCS		PCS		PCS		PCS		PCS
	PCS		PCS		PCS		PCS		PCS		PCS
	PCS		PCS		PCS		PCS		PCS		PCS
	PCS		PCS		PCS		PCS		PCS		PCS
	PCS		PCS		PCS		PCS		PCS		PCS



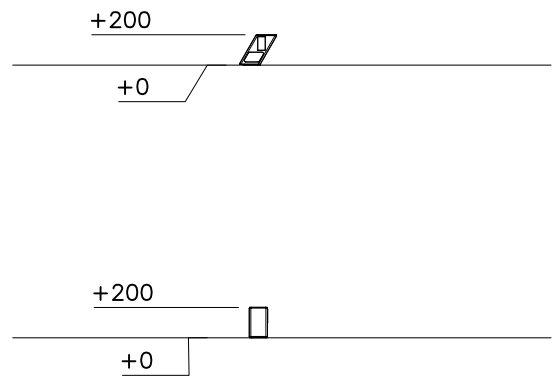
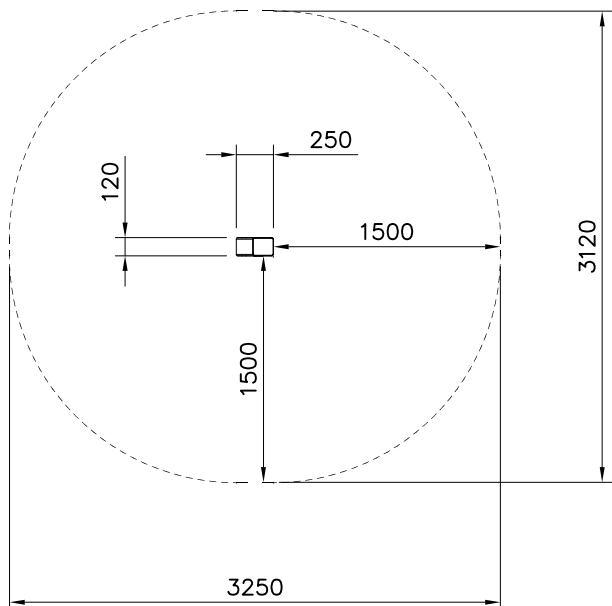




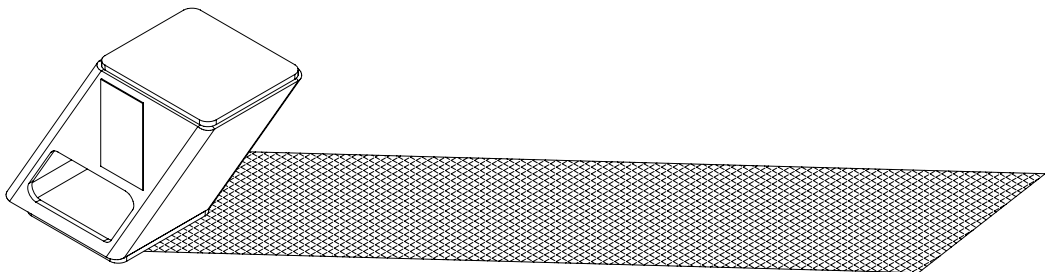
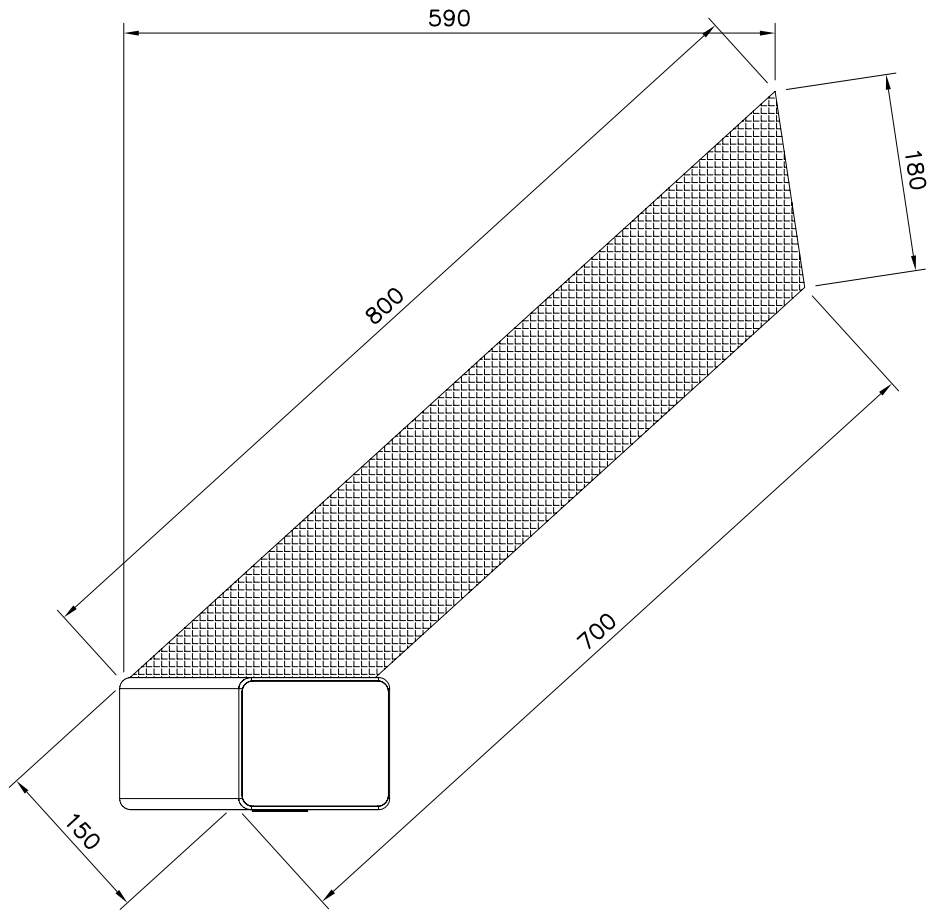


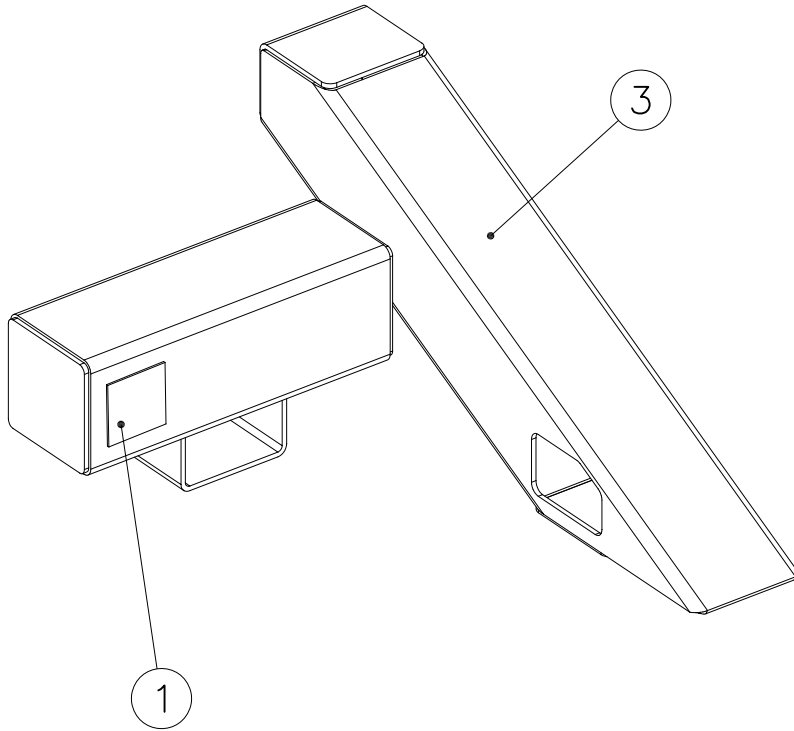


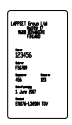

----- Falling Space 8.2 m²
Max Falling Height 200 mm

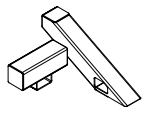


Shadow lines




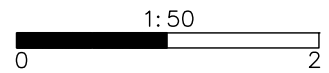


① 702341	PCS	② 709381	PCS
	1		2
90x50		SURFACE	

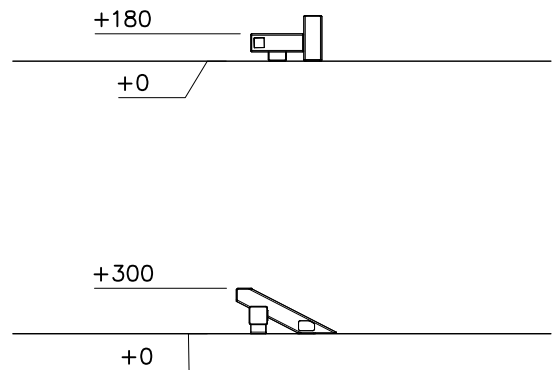
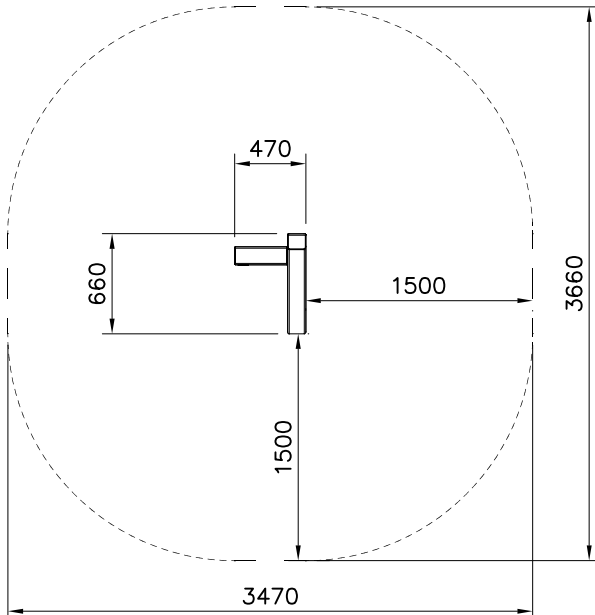
③ 910220	PCS
	1
300x470x662	

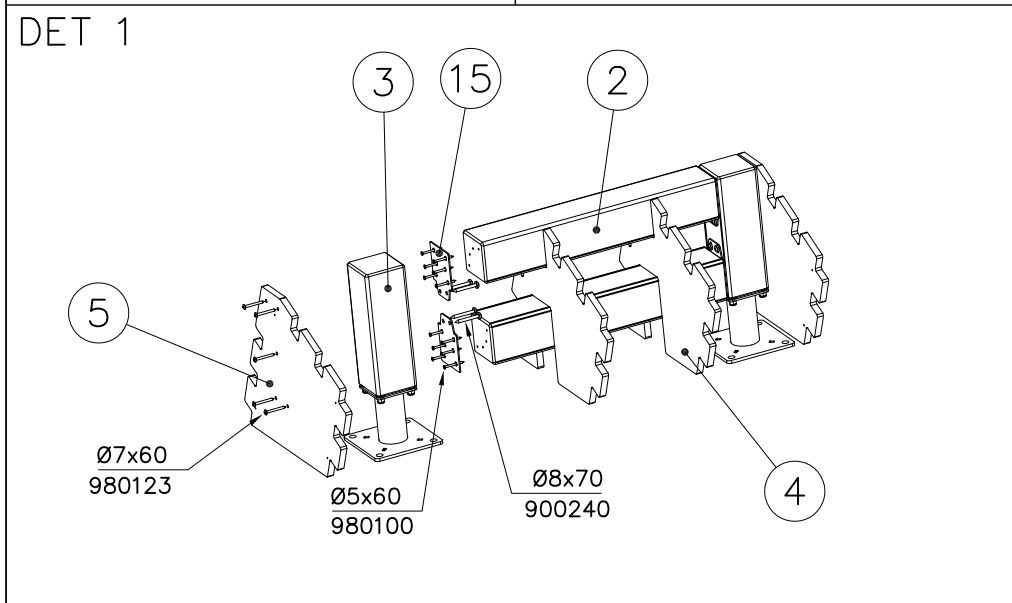
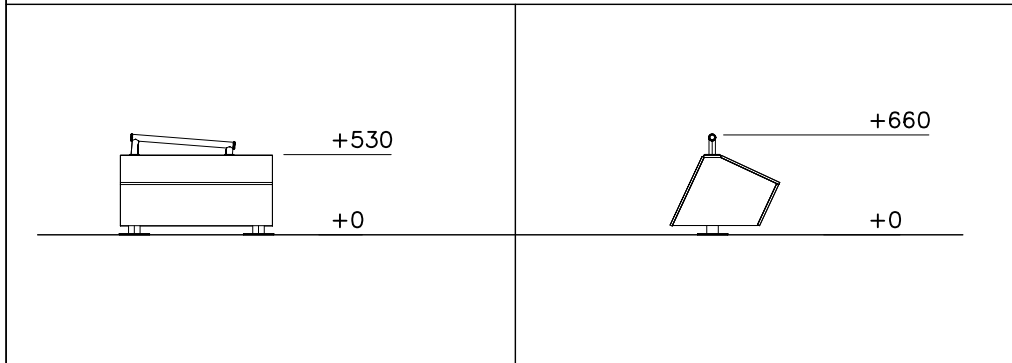
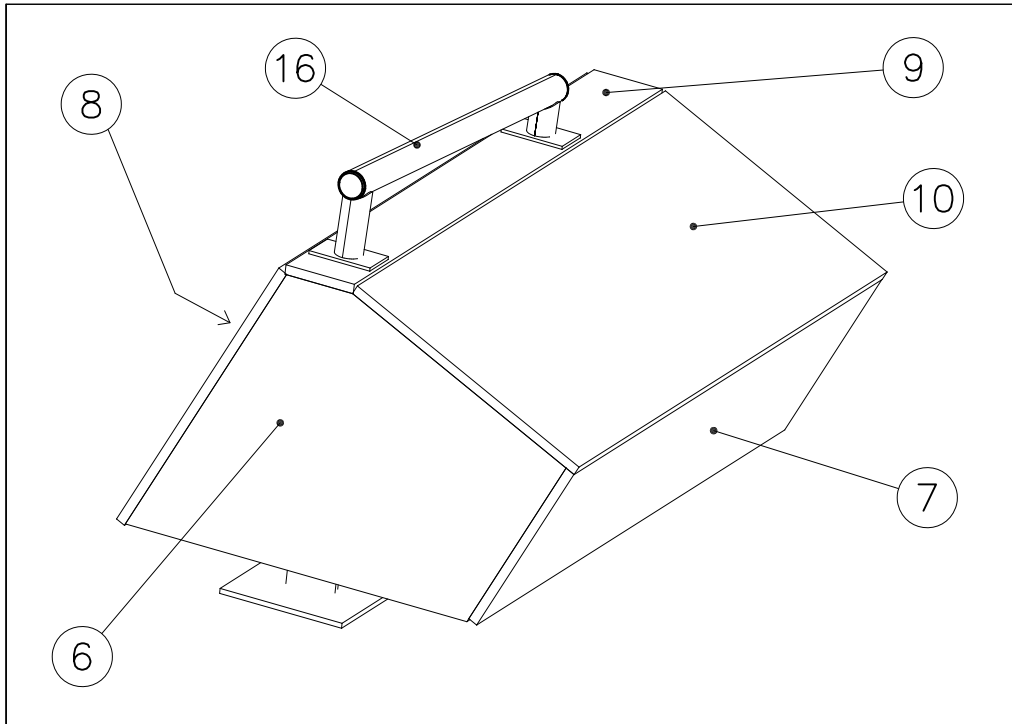
FOOT OPTION FOR DEEP MOUNTING

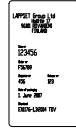
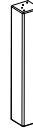
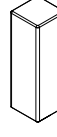
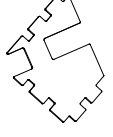
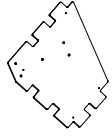
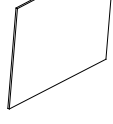
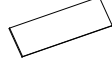

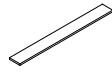
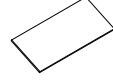



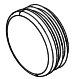
709379+	
○ 902564	PCS
	2
L 550	

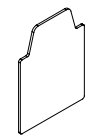
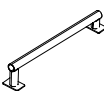






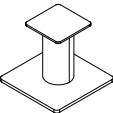
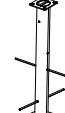
----- Falling Space 10.8 m²
 Max Falling Height 300 mm

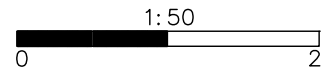
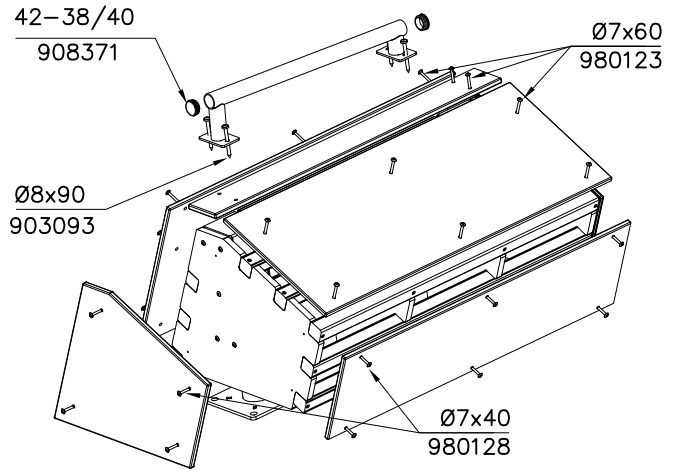
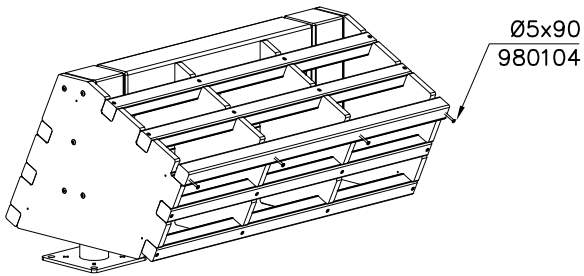
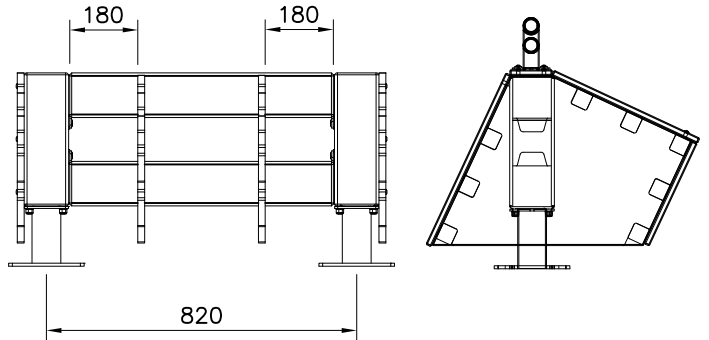




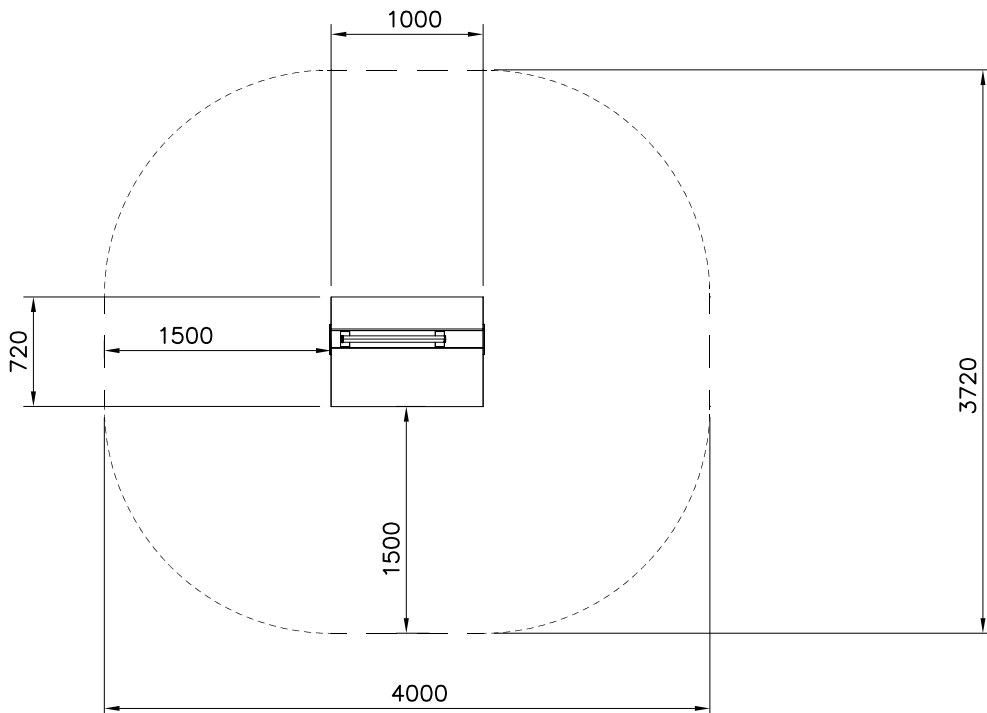
① 702341  90x50	PCS 1	② 708109  118x118x697	PCS 2
③ 708443  118x118x352	PCS 2	④ 708848  18x450x690	PCS 2
⑤ 708849  18x450x690	PCS 2	⑥ 708850  15x450x690	PCS 2
⑦ 708851  15x300x1005	PCS 1	⑧ 708852  15x500x1005	PCS 1
⑨ 708853  15x112x1005	PCS 1	⑩ 708854  15x425x1005	PCS 1
⑪ 708855  45x45x975	PCS 8	⑫ 900240  Ø8x70	PCS 8
⑬ 903093  Ø8x90	PCS 4	⑭ 908371  42-38/40	PCS 2

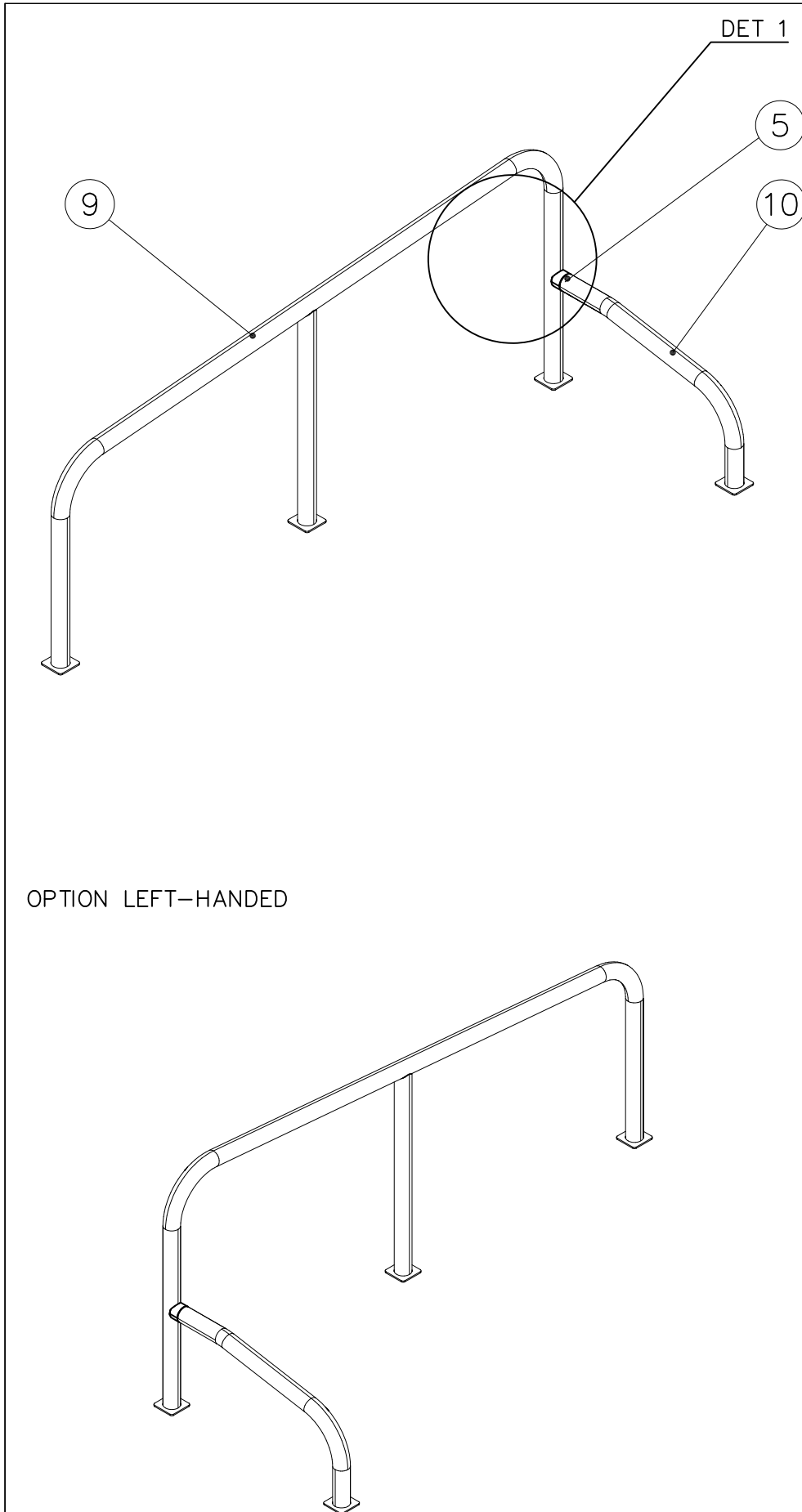
⑮ 908698  3x114x108	PCS 4	⑯ 910056  140x690	PCS 1	⑰ 980100  Ø5x60	PCS 24	⑱ 980104  Ø5x90	PCS 32	⑲ 980123  Ø7x60	PCS 27	⑳ 980128  Ø7x40	PCS 14
--	----------	--	----------	--	-----------	--	-----------	--	-----------	--	-----------

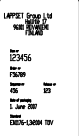


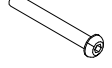
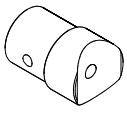



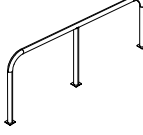
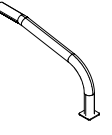

709261+		709262+	
○ 910330	PCS	○ 910567	PCS
SURFACE	2	CONCRETE	2
			
152x200x200		117x117x715	



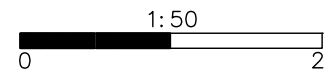
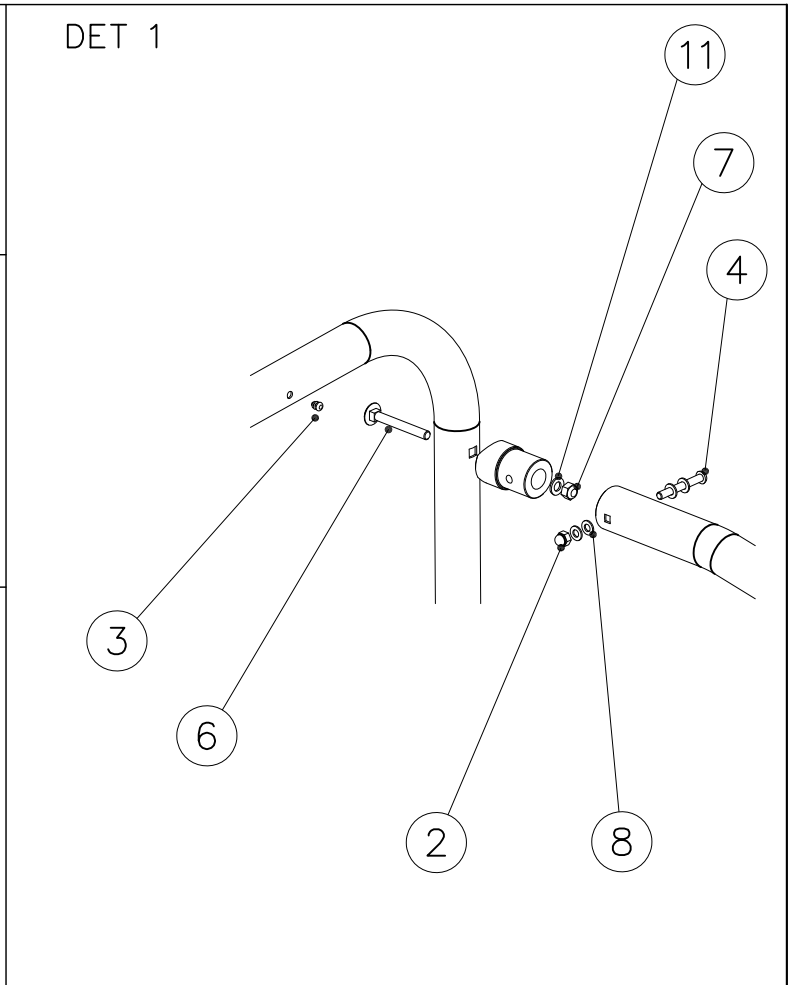
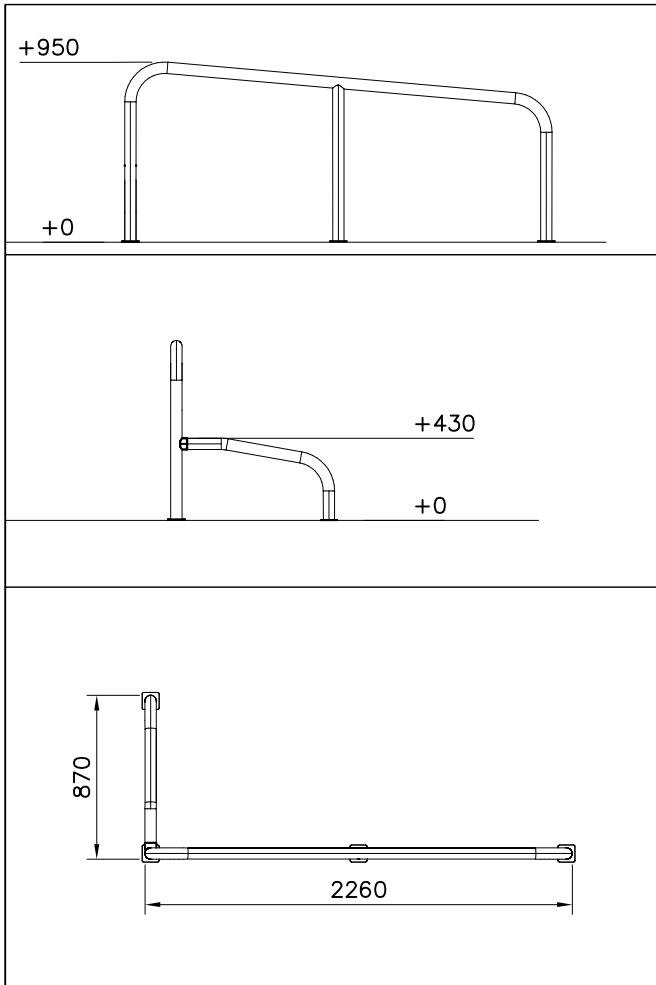
----- Falling Space 13 m²
Max Falling Height 660 mm



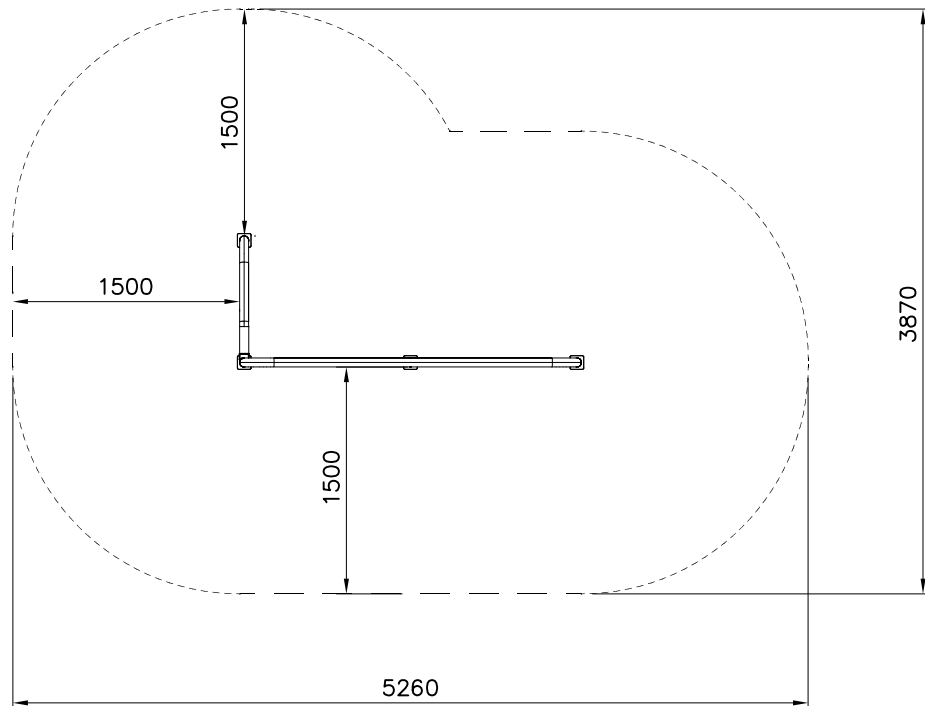


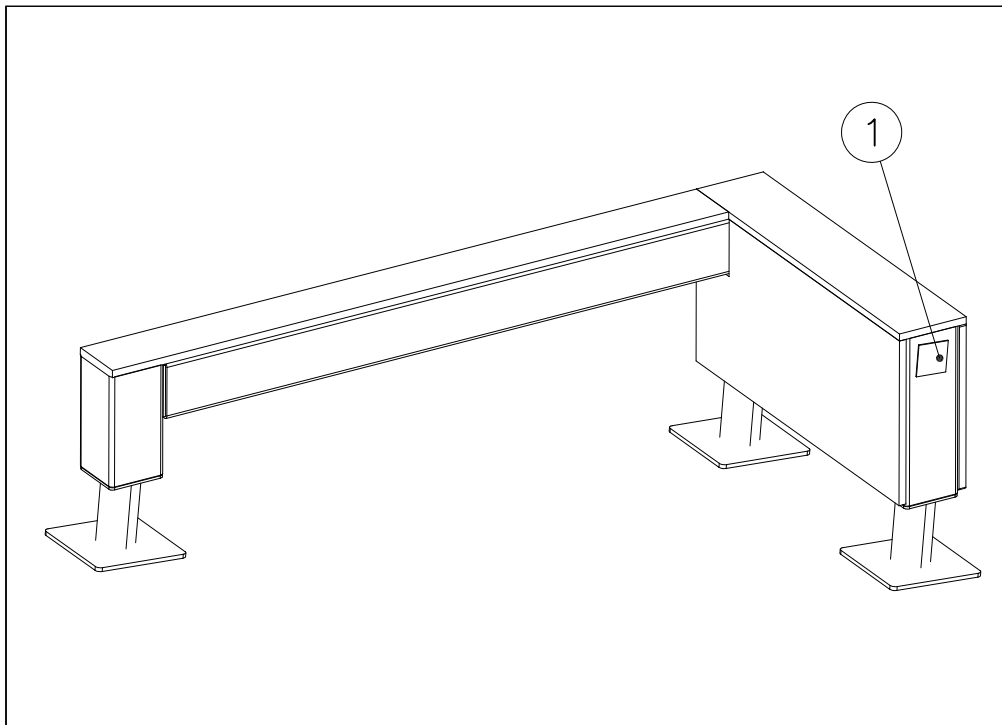
①	702341	PCS	②	900965	PCS
		1			1
	90x50			M10	
③	903533	PCS	④	904133	PCS
		4			1
	SRL12			M10x80	
⑤	908069	PCS	⑥	909111	PCS
		1			1
	Ø60x87.6			M12x100	
⑦	909248	PCS	⑧	909638	PCS
		1			4
	M12			Ø20/10.5	
⑨	910255	PCS	⑩	910262	PCS
		1			1
	Ø60x950x2290			Ø60x435x795	
⑪	980154	PCS			PCS
		1			
	Ø24/13				


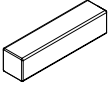



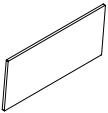
OPTION LEFT-HANDED

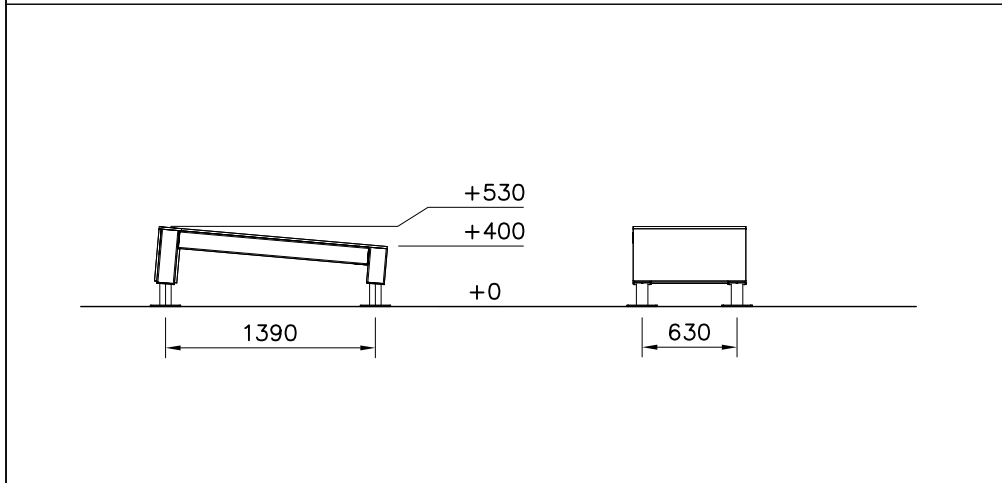


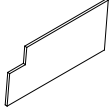
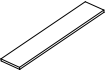

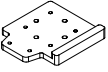
----- Falling Space 16.2 m²
 Max Falling Height 950 mm

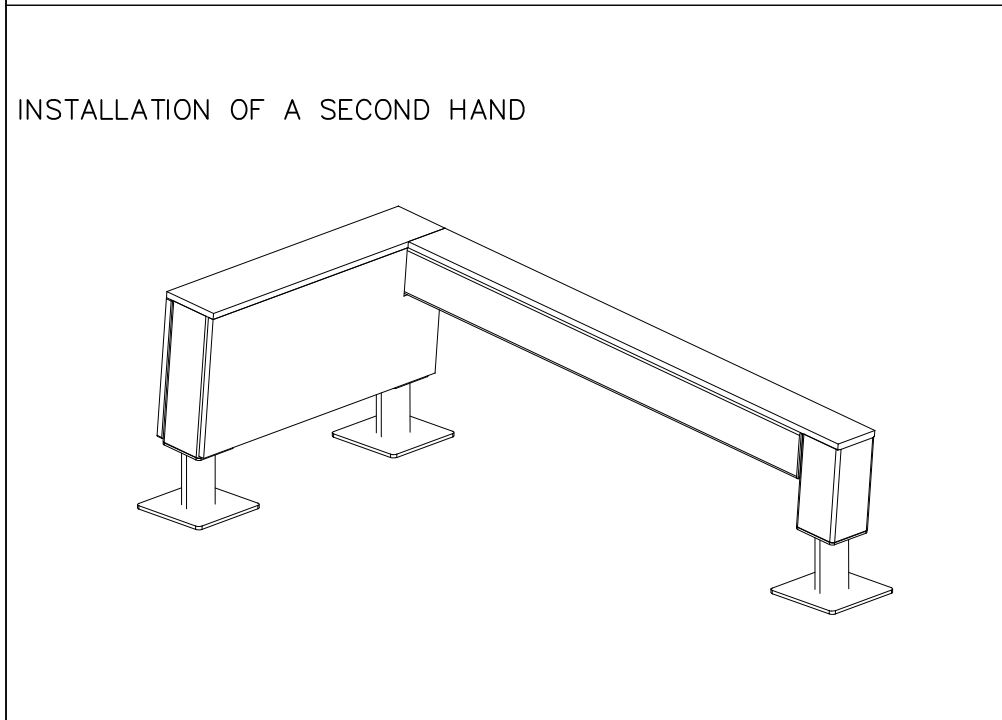


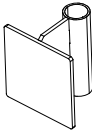




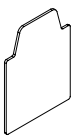





① 702286	PCS	② 707210	PCS
	1		2
65x65		118x118x503	
③ 707212	PCS	④ 708347	PCS
	1		1
118x118x1254		118x118x231	
⑤ 708443	PCS	⑥ 708727	PCS
	2		1
118x118x352		15x346x745	



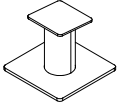

⑦ 708730	PCS	⑧ 708733	PCS
	1		1
15x346x745		15x148x745	
⑨ 708734	PCS	⑩ 708857	PCS
	1	JIG 	1
15x118x1365		20x133x149	



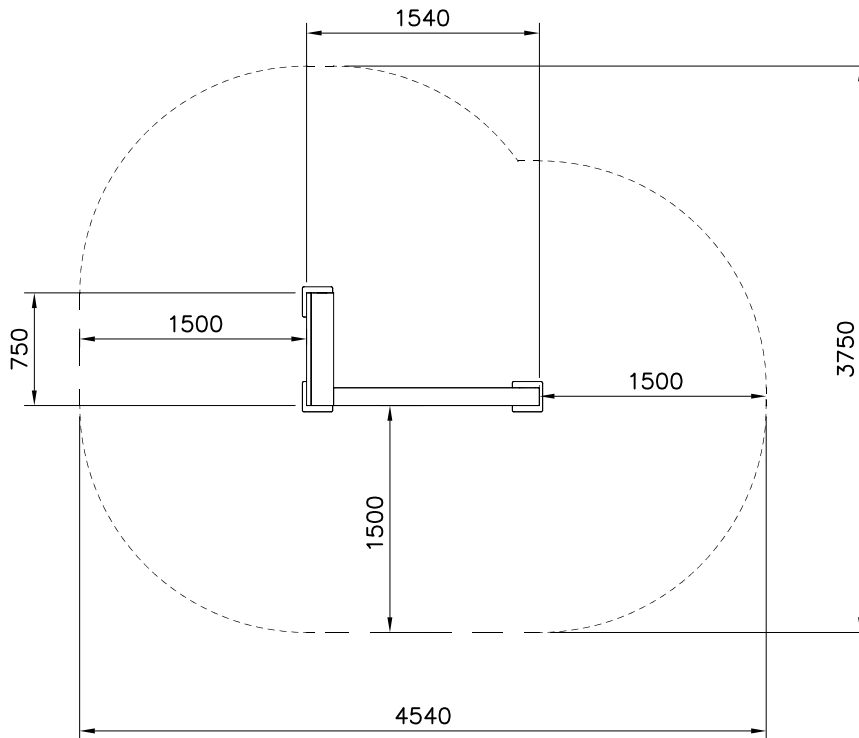
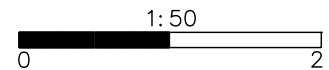
⑪ 910266	PCS	⑫ 900240	PCS
	2		16
90x108x118		Ø8x70	
⑬ 903093	PCS	⑭ 905103	PCS
	4		2
Ø8x90		PT-28/32-H	
⑮ 905112	PCS	⑯ 908698	PCS
	4		4
Ø22		3x114x108	

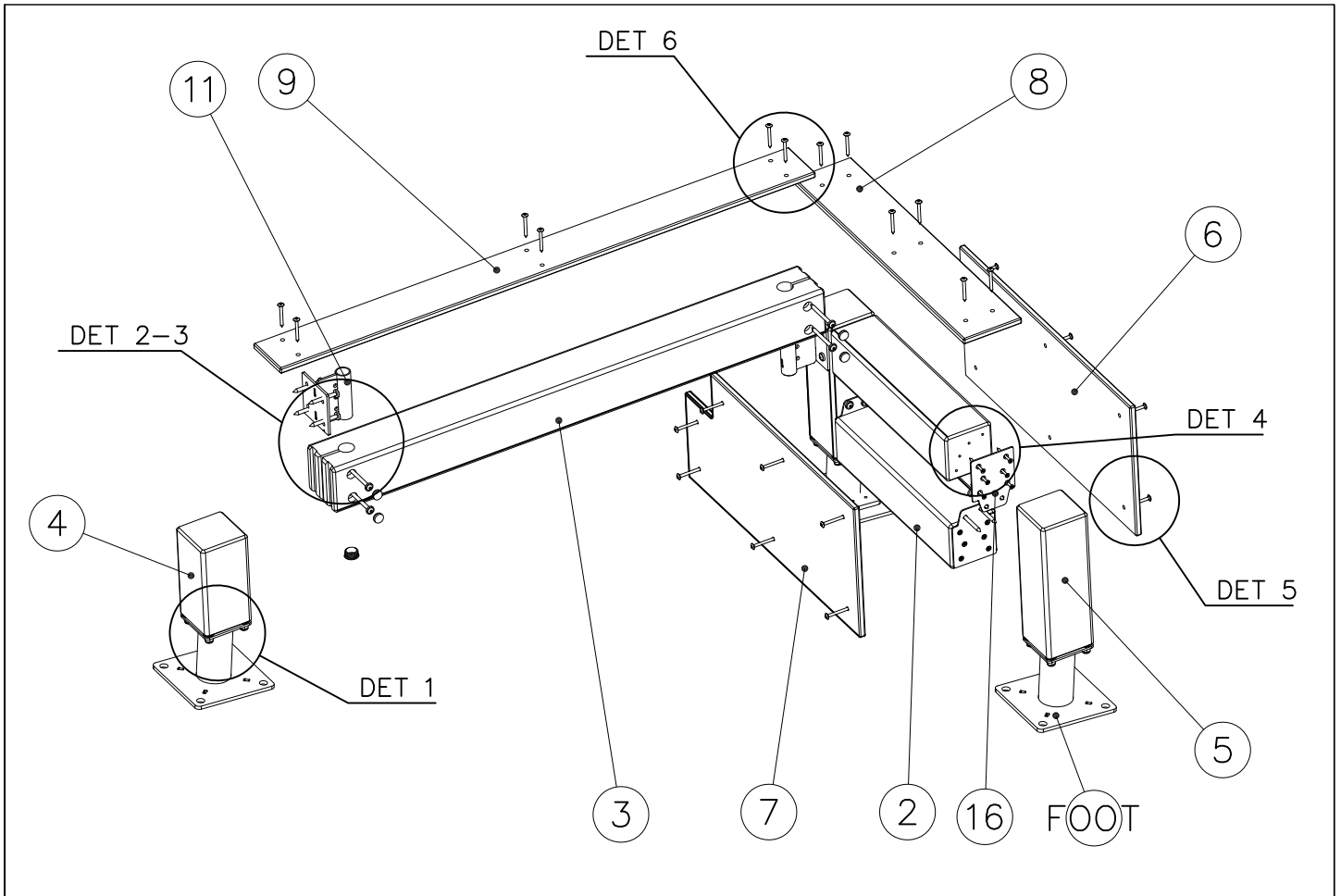
17	980100	PCS	18	980114	PCS	19	980123	PCS
		28			4			25
								
	Ø5x60			Ø4x20			Ø7x60	

FOOT OPTIONS

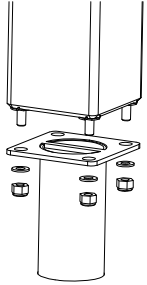
709261+		709262+	
○ 910267	PCS	○ 910567	PCS
SURFACE	3	CONCRETE	3
			
152x200x200		117x117x715	

----- Falling Space 13.8 m²
Max Falling Height 530 mm

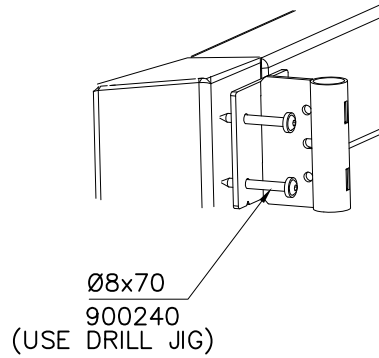




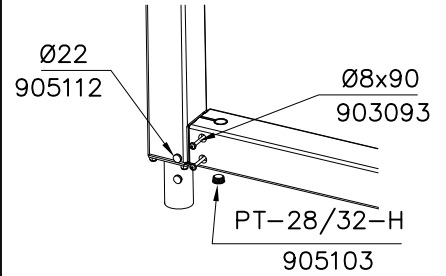
DET 1



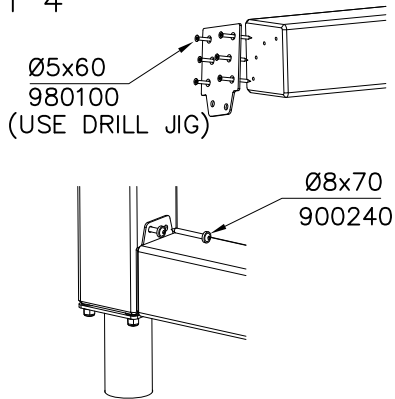
DET 2



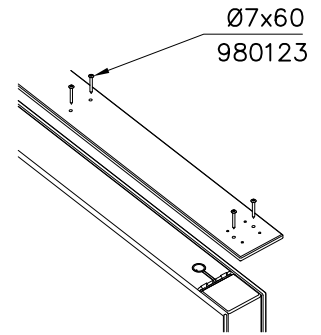
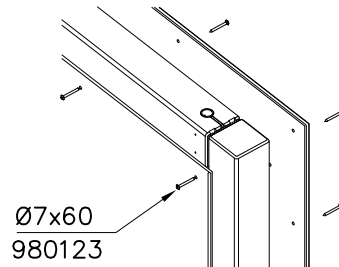
DET 3



DET 4

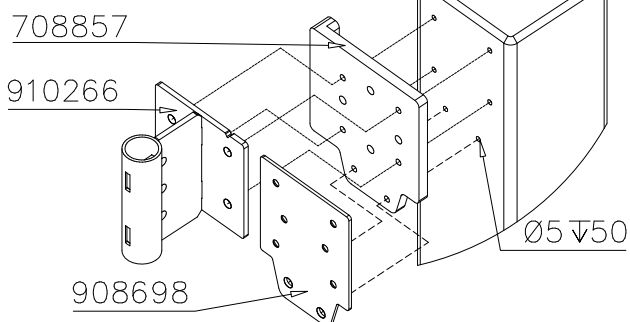


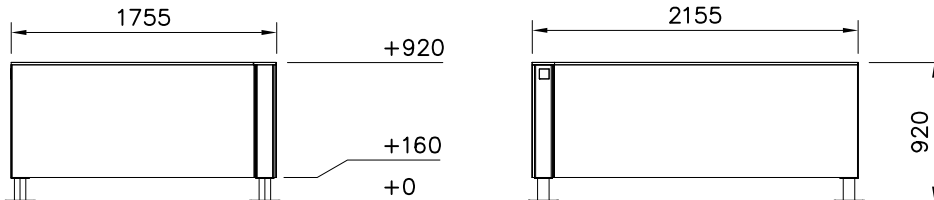
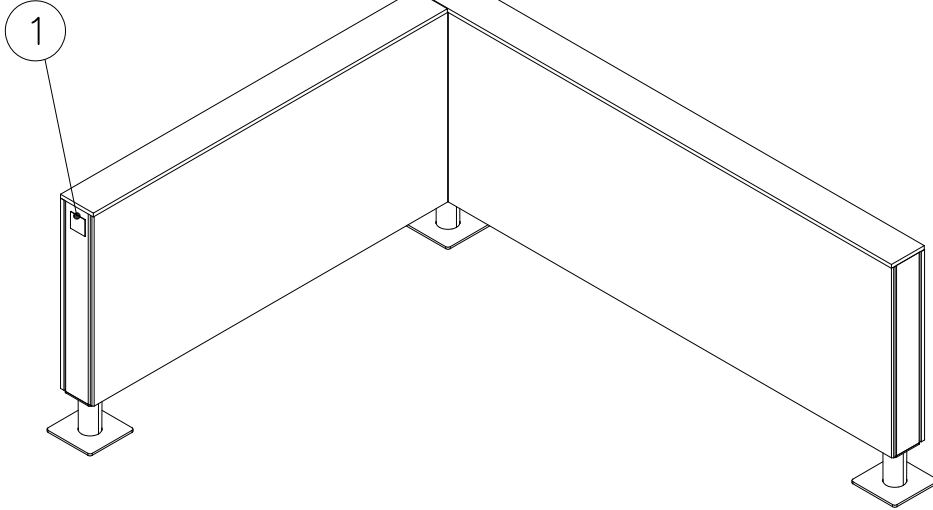
DET 5



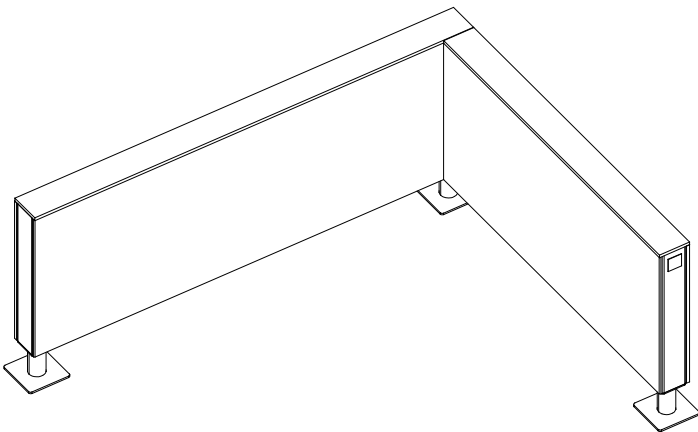
JIG DET A (USE DET 2-4)

NOTE:
Use drill jig 708857
to predrill $\text{Ø}5\sqrt{50}$
holes for 910266
and 908698



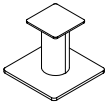
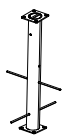


INSTALLATION OF A SECOND HAND

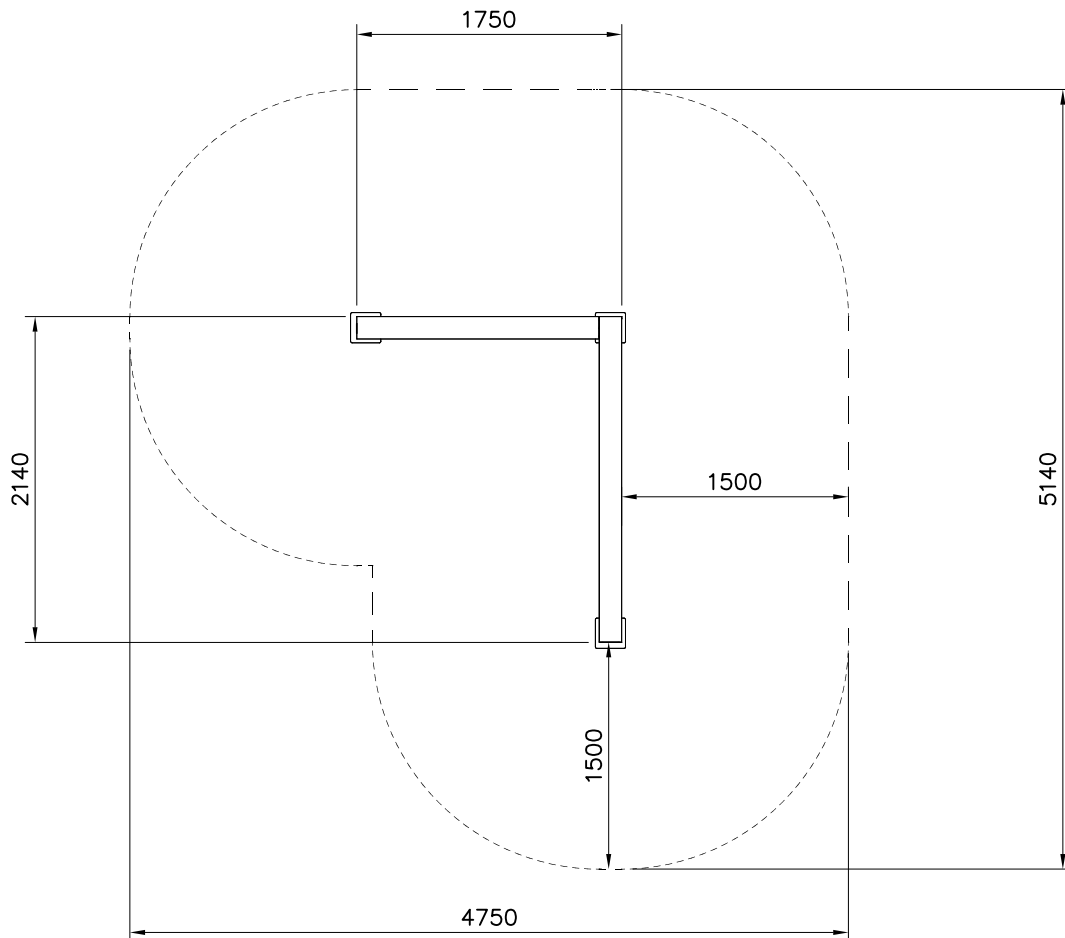
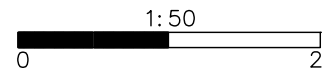


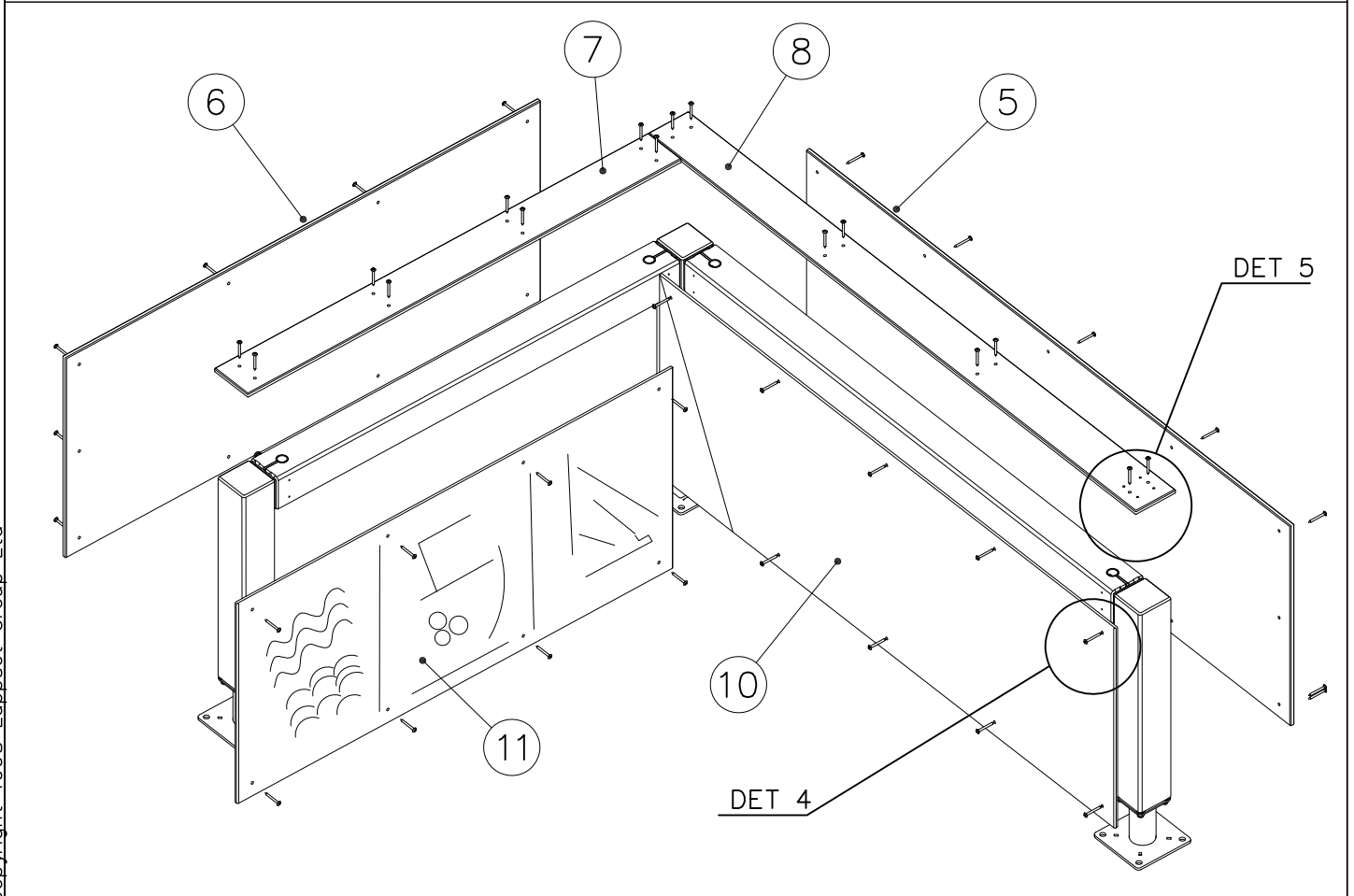
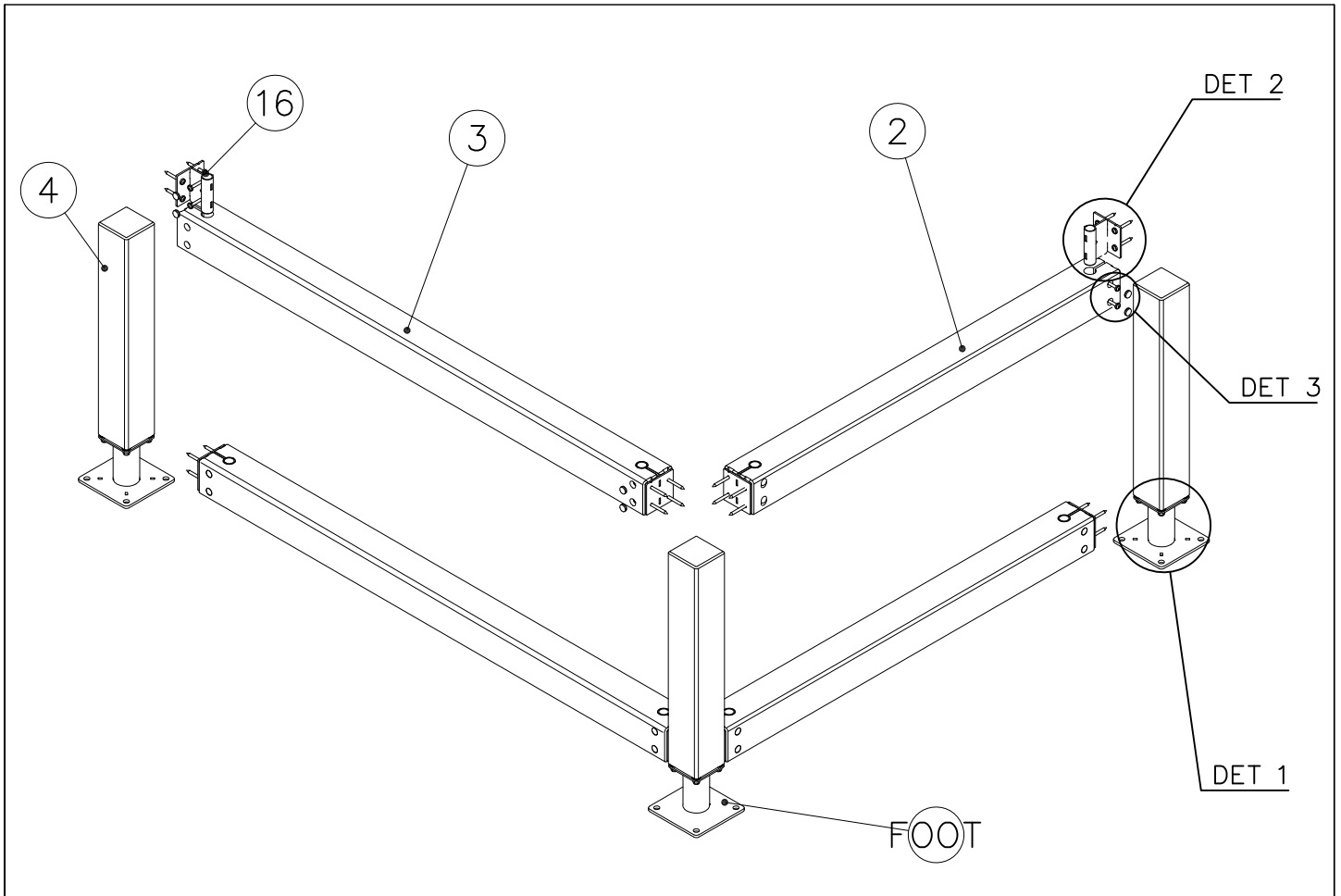
 65x65	① 702286 PCS 1	 118x118x1490	② 707213 PCS 2
 118x118x1892	③ 707517 PCS 2	 118x118x745	④ 708137 PCS 3
 15x745x2140	⑤ 708715 PCS 1	 15x745x1753	⑥ 708716 PCS 1
 15x148x1601	⑦ 708737 PCS 1	 15x148x2153	⑧ 708738 PCS 1
 20x133x149	⑨ 708857 JIG PCS 1	 12x745x2015	⑩ 709231M PCS 1
 12x745x1610	⑪ 709230M PCS 1	 Ø8x70	⑫ 900240 PCS 32
 Ø8x90	⑬ 903093 PCS 16	 PT-28/32-H	⑭ 905103 PCS 8
 Ø22	⑮ 905112 PCS 16	 90x108x118	⑯ 910266 PCS 8
 Ø7x60	⑰ 980123 PCS 56	 Ø4x20	⑱ 980114 PCS 4

FOOT OPTIONS

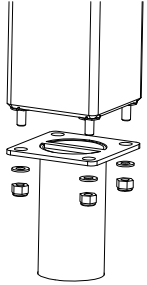
709261+		709262+	
○ 910330	PCS	○ 910567	PCS
SURFACE	3	CONCRETE	3
			
152x200x200		117x117x715	

----- Falling Space 18.8 m²
 Max Falling Height 920 mm

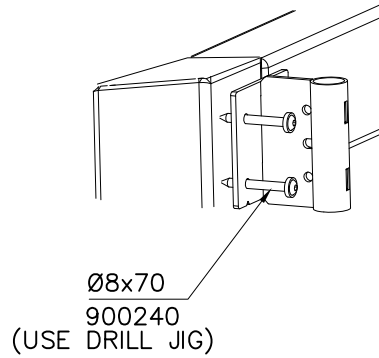




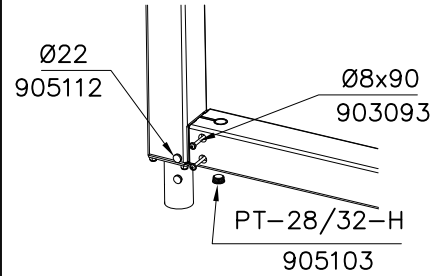
DET 1



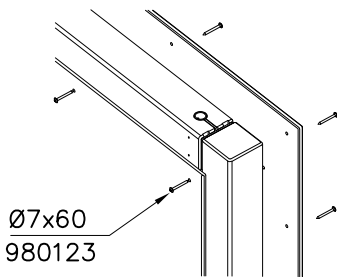
DET 2



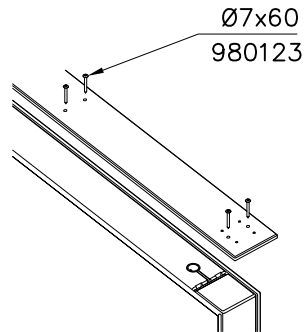
DET 3



DET 4



DET 5



JIG DET A (USE DET 2)

NOTE:
Use drill jig 708857
to predrill $\text{Ø}5 \nabla 50$
holes for 910266

