

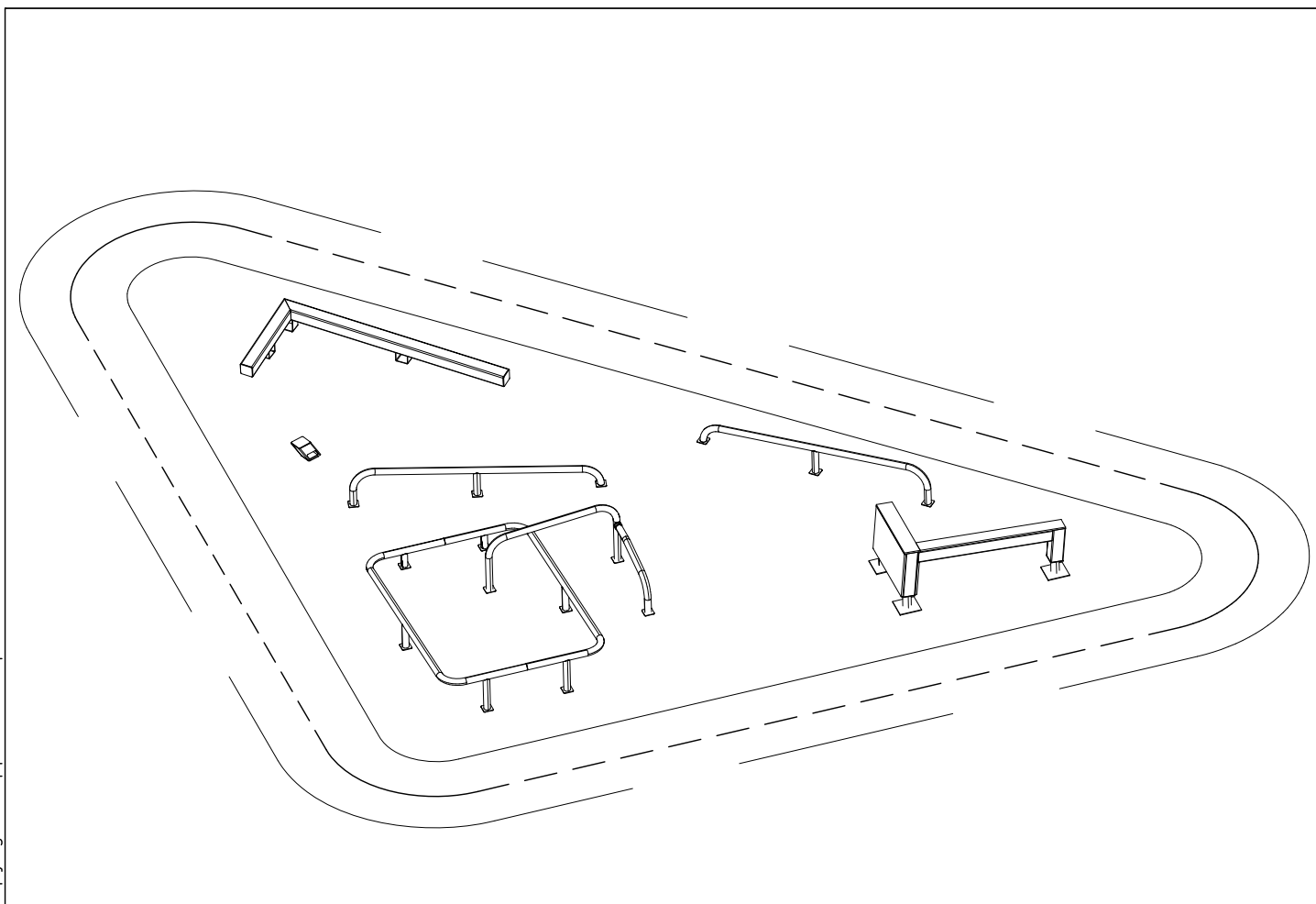
LAPPSET®

DASH PARKOUR

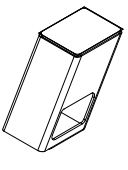
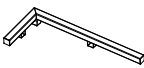
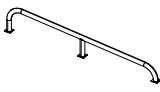
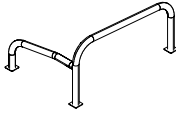
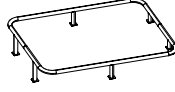
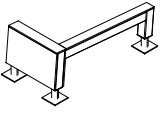






ASENNUSOHJE
MONTERINGSANSVISNING
INSTALLATION INSTRUCTION
AUFBAUANLEITUNG
NOTICE D'INSTALLATION

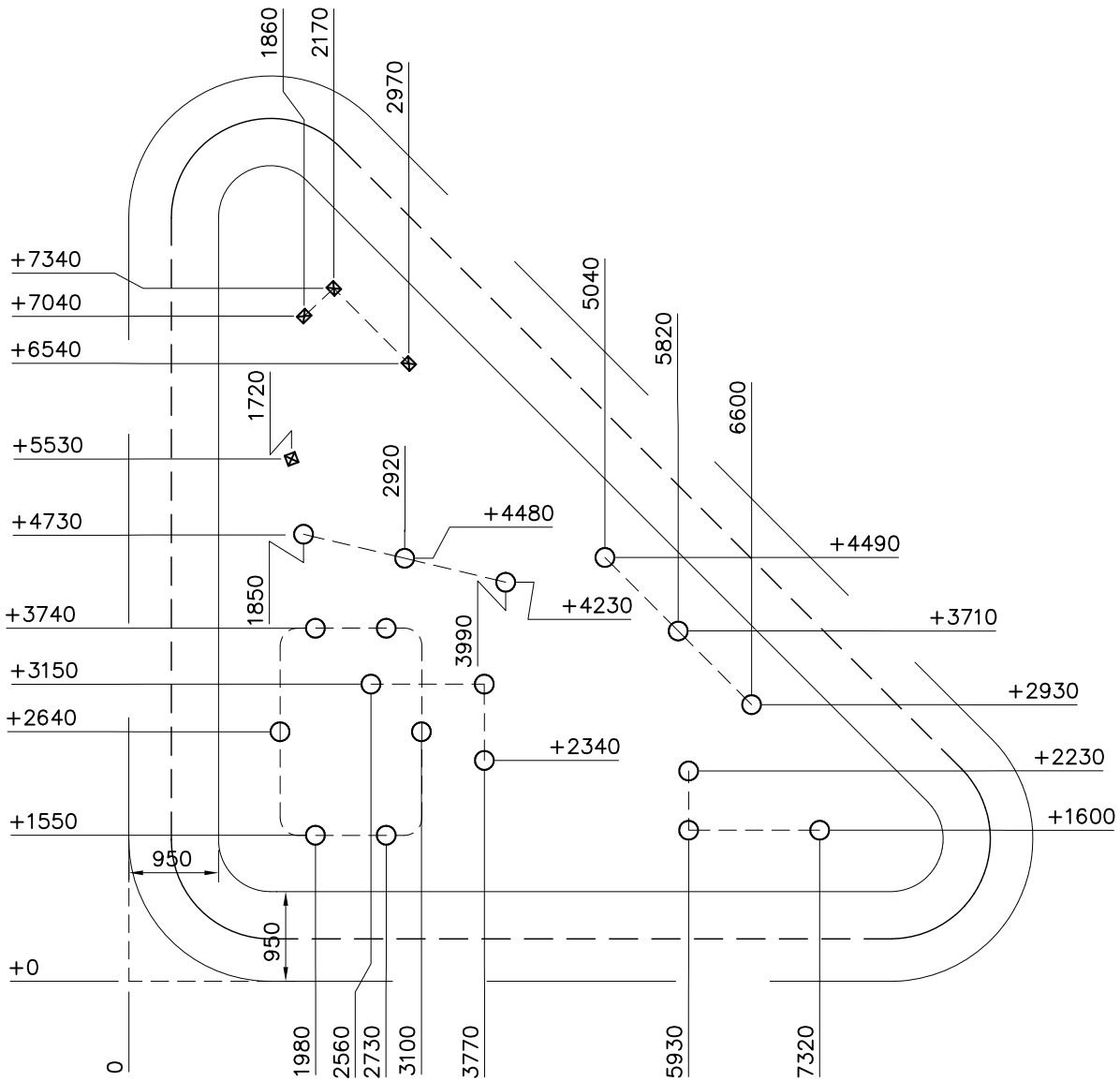
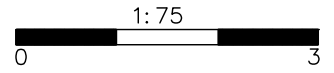
DATE: 11.12.2019

081761M

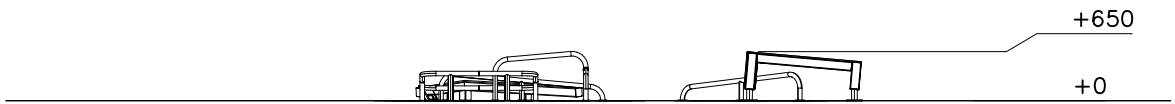
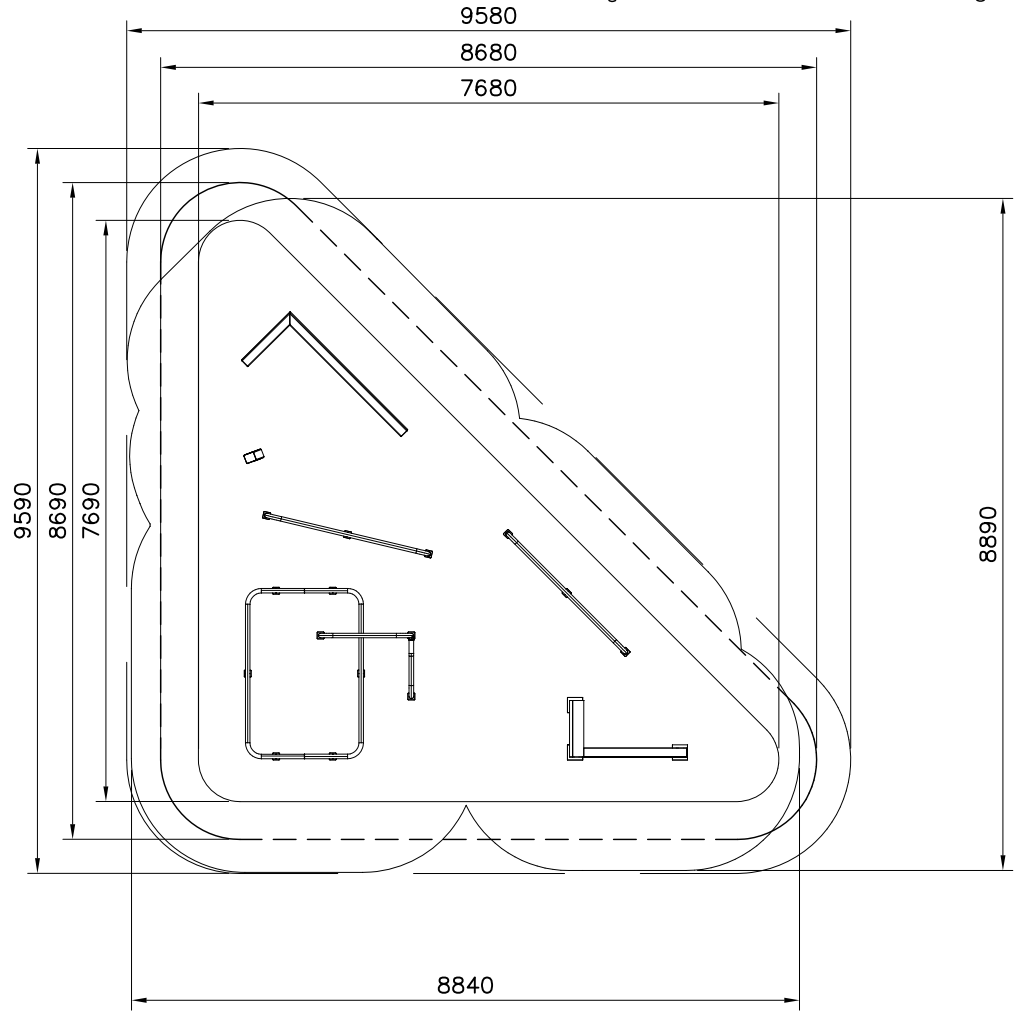
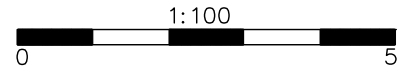


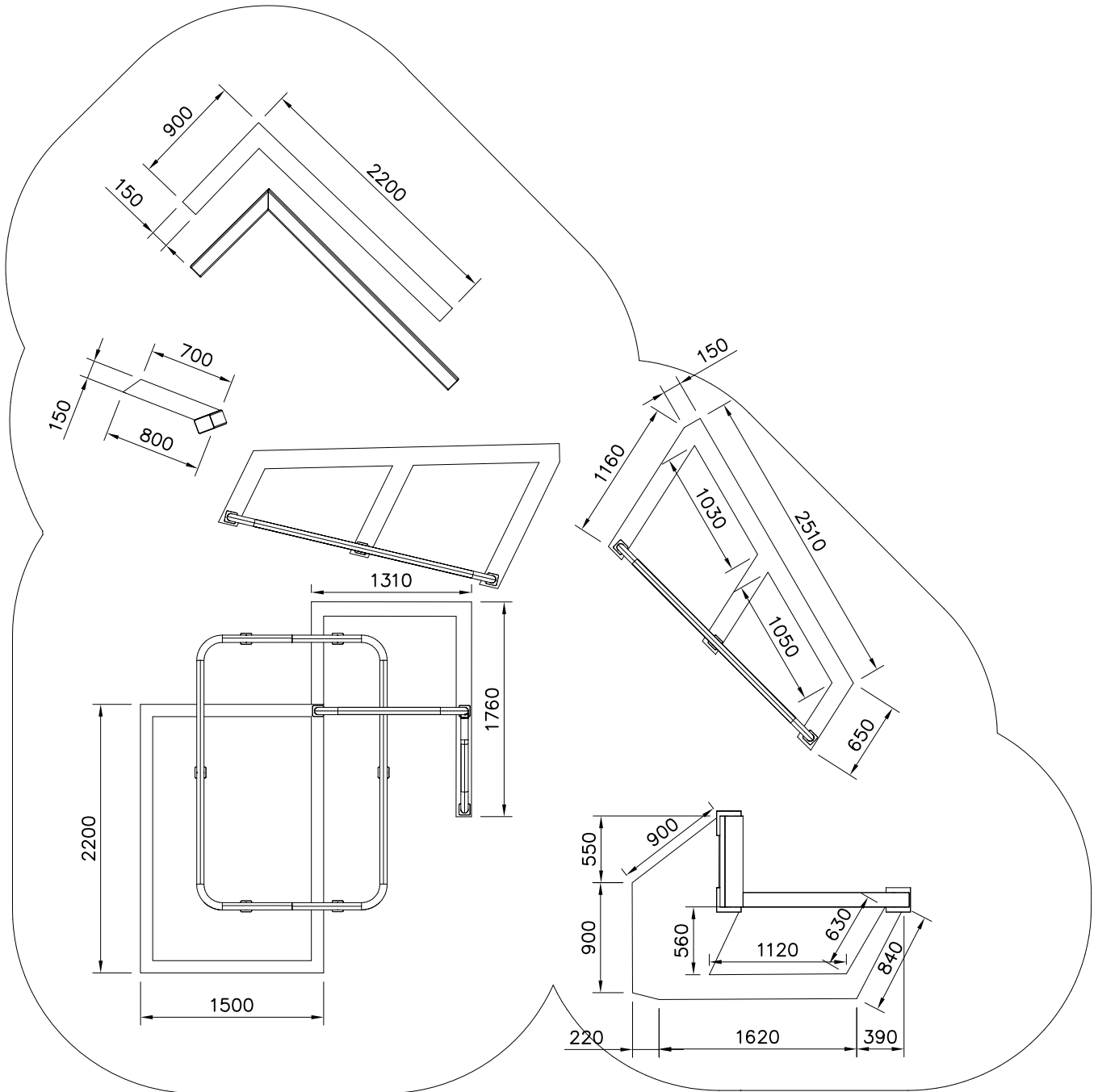
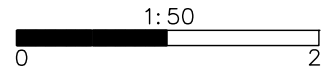
DATE: 11.12.2019

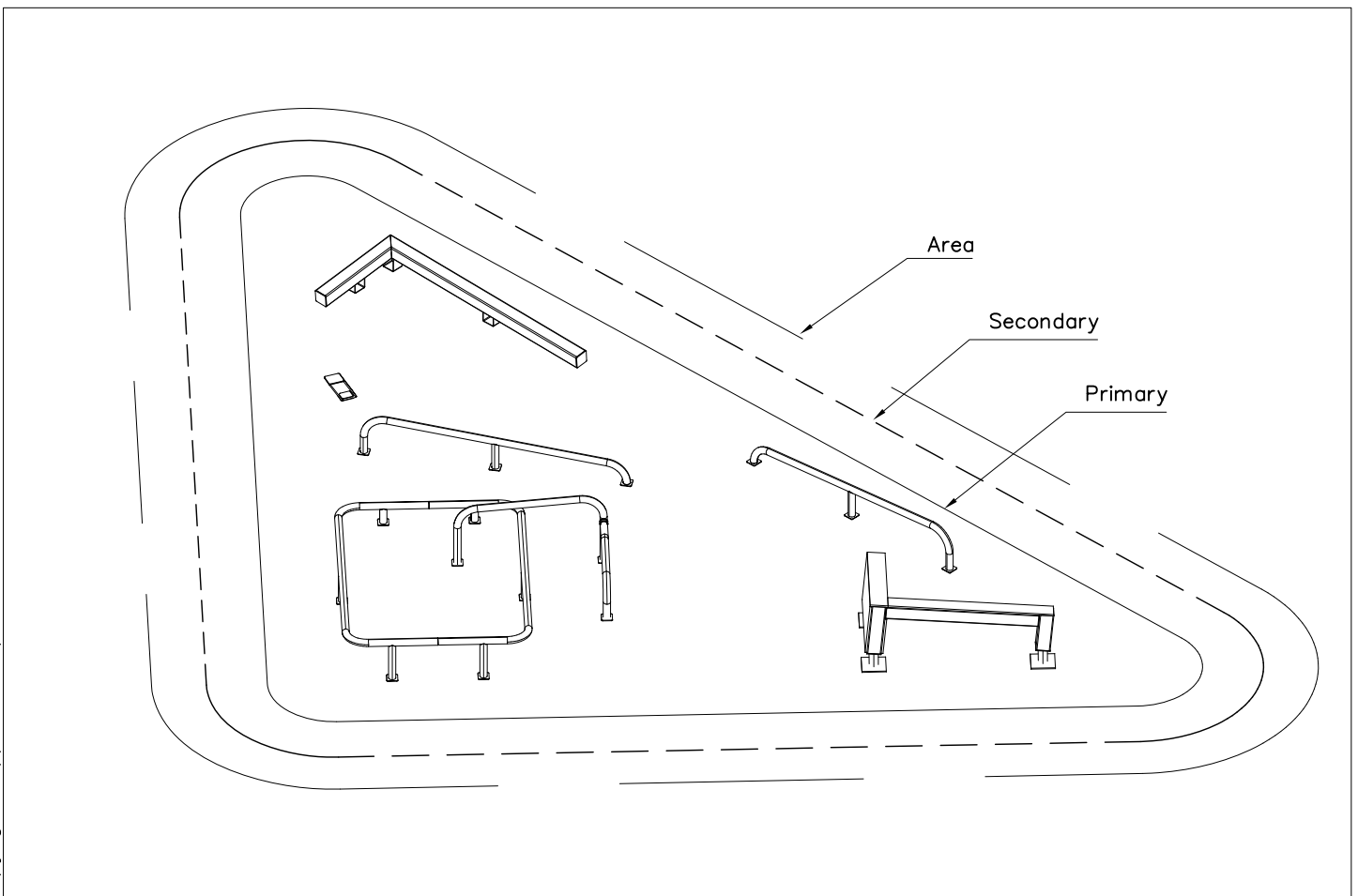
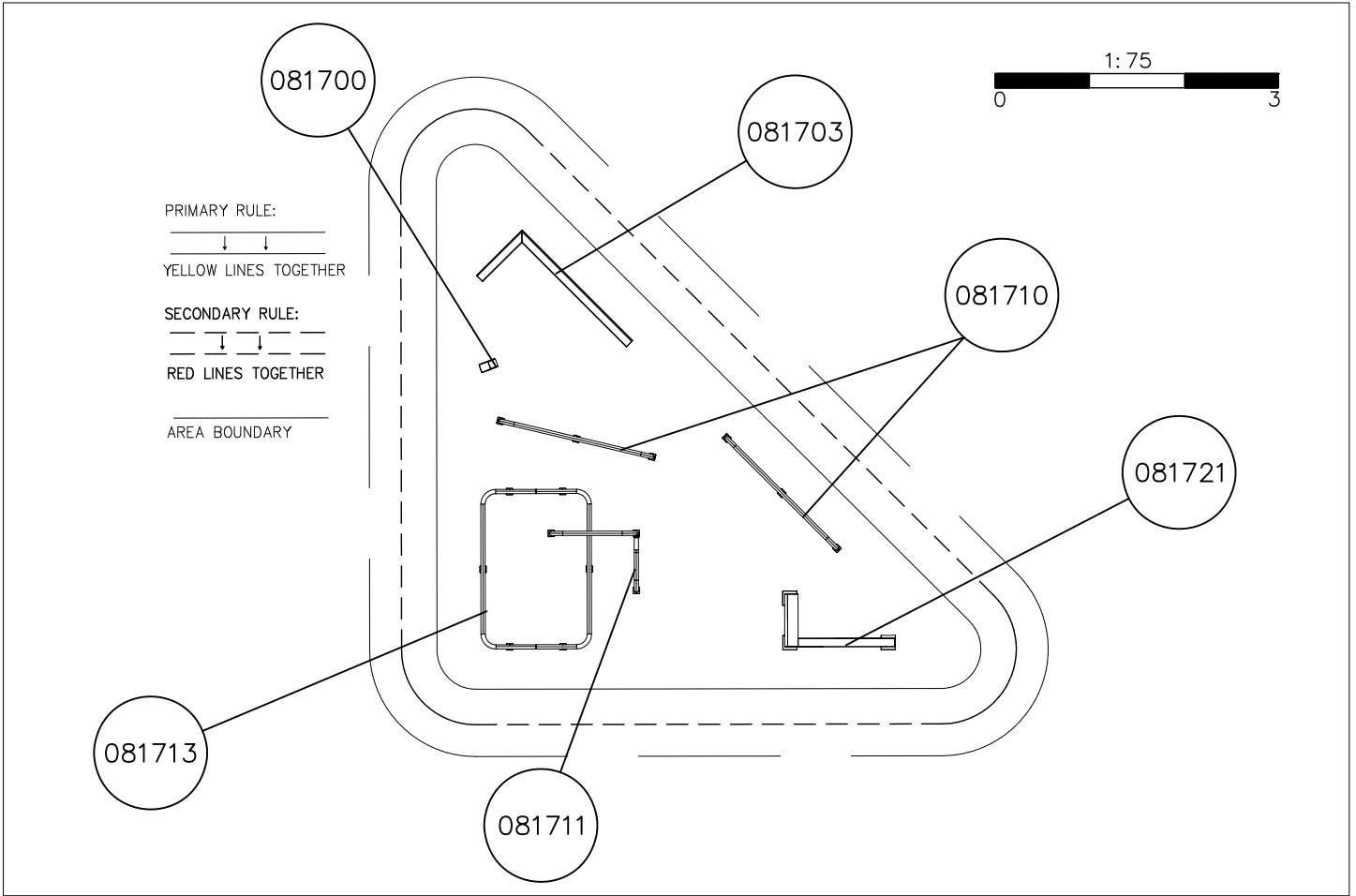
081700M	PCS	081703M	PCS	081710M	PCS	081711M	PCS	081713M	PCS	081721M	PCS
	1		1		2		1		1		1
											
	PCS		PCS		PCS		PCS		PCS		PCS
	PCS		PCS		PCS		PCS		PCS		PCS
	PCS		PCS		PCS		PCS		PCS		PCS
	PCS		PCS		PCS		PCS		PCS		PCS
	PCS		PCS		PCS		PCS		PCS		PCS

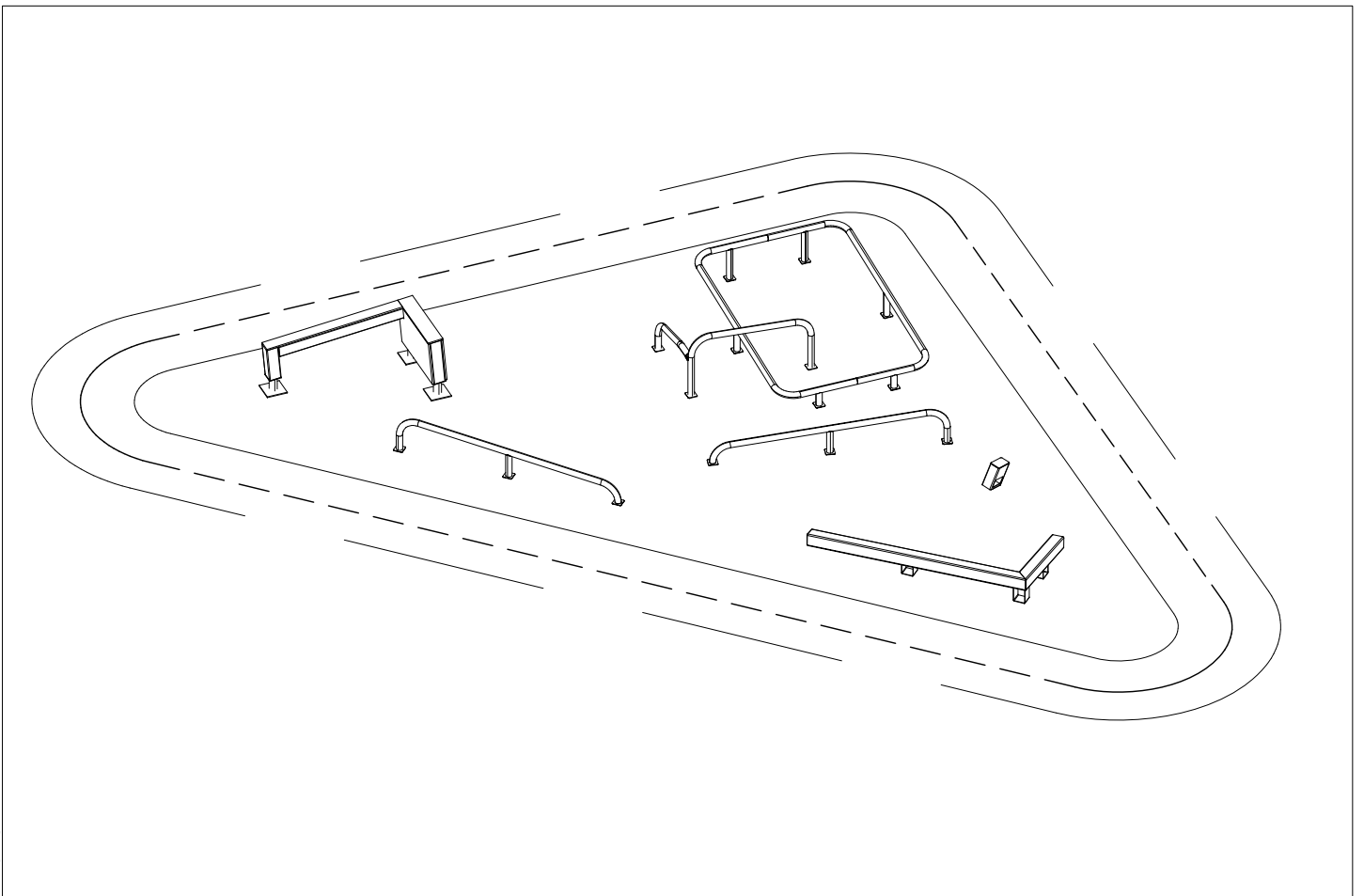
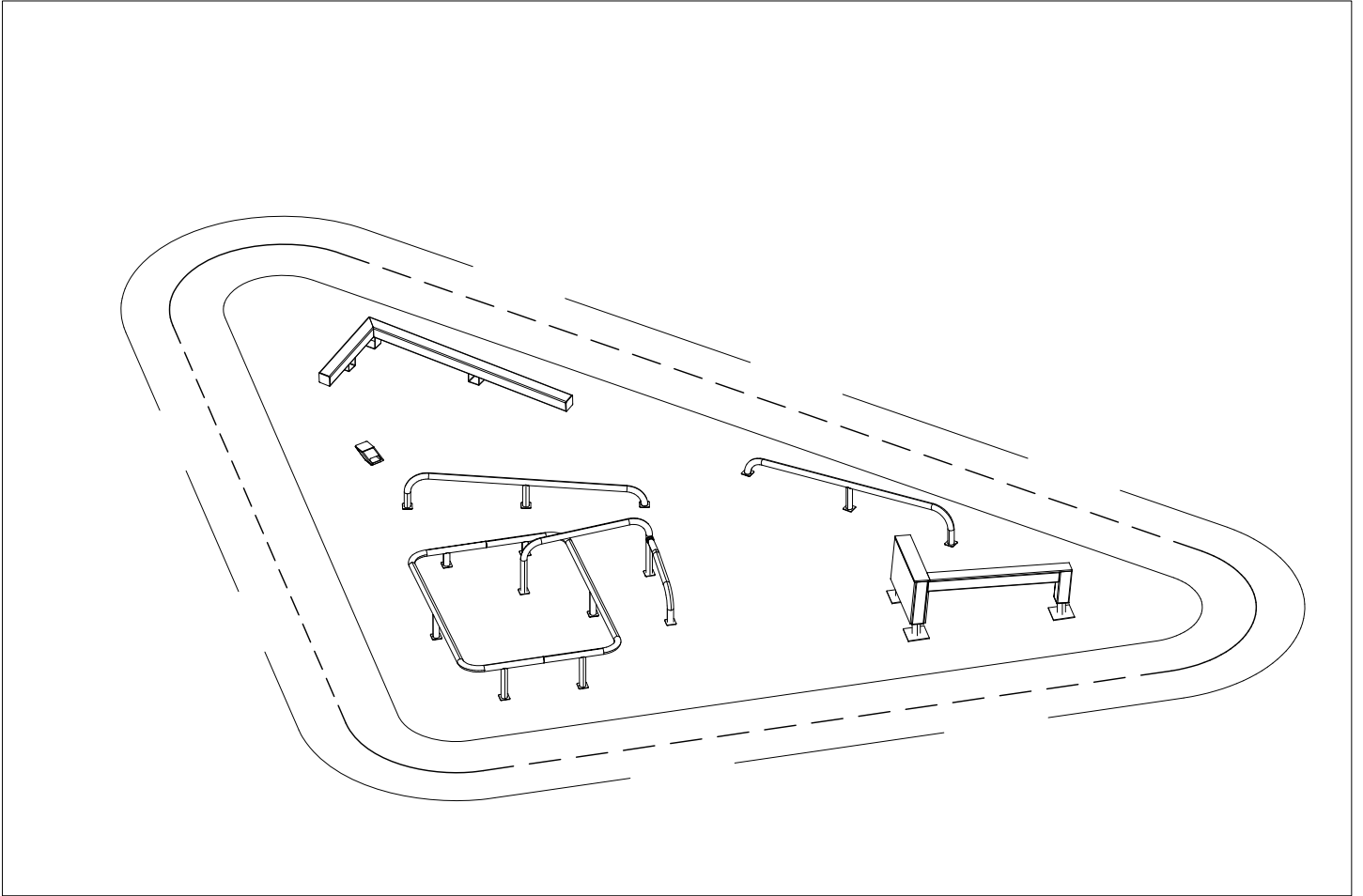


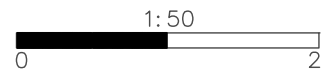
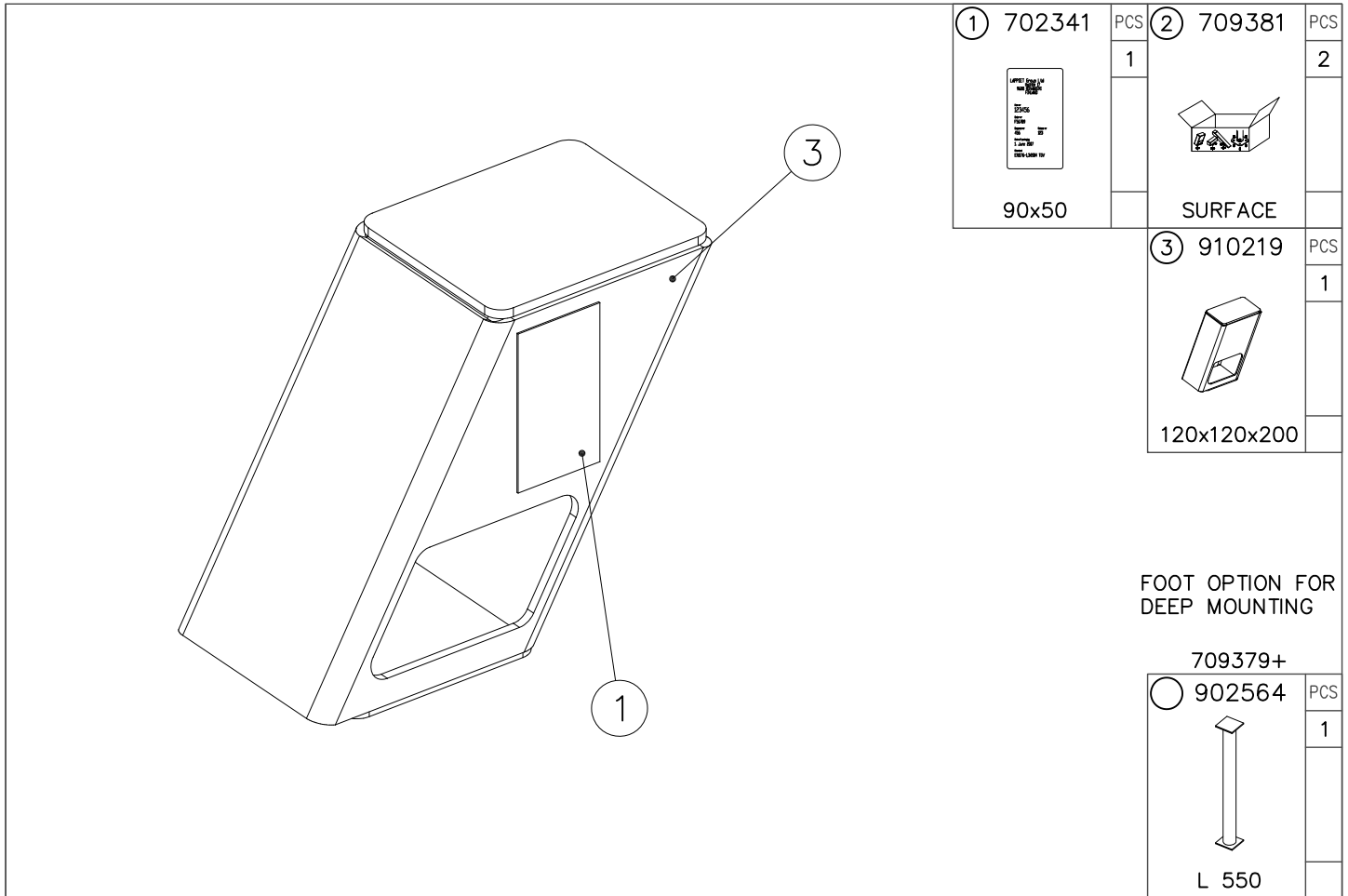
— Falling Space 56.1 m²
 Max Falling Height 650 mm



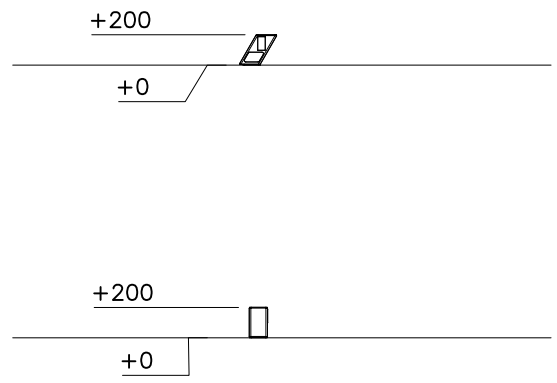
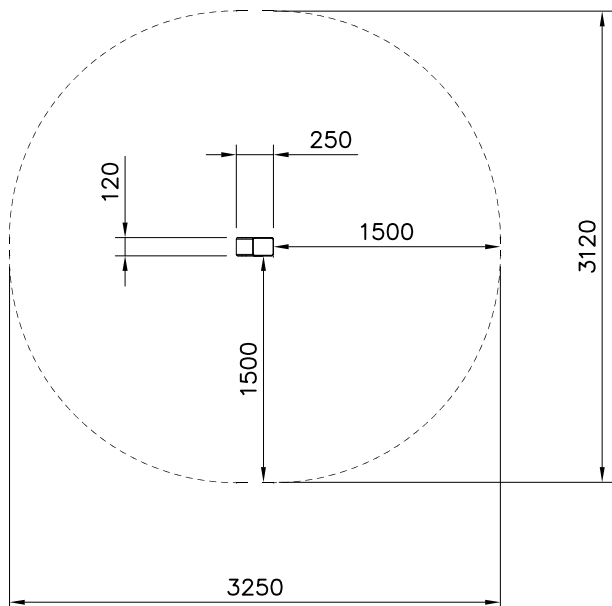




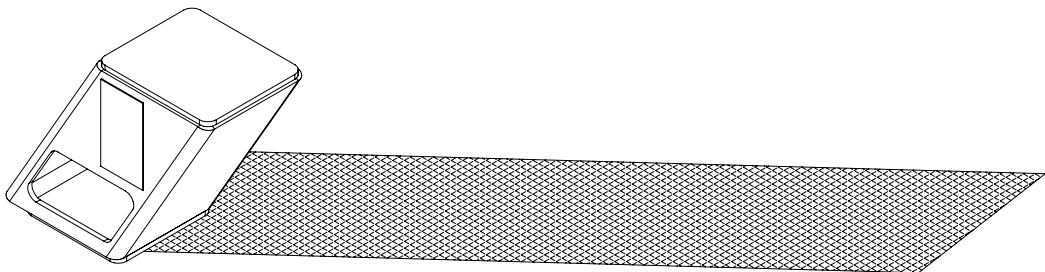
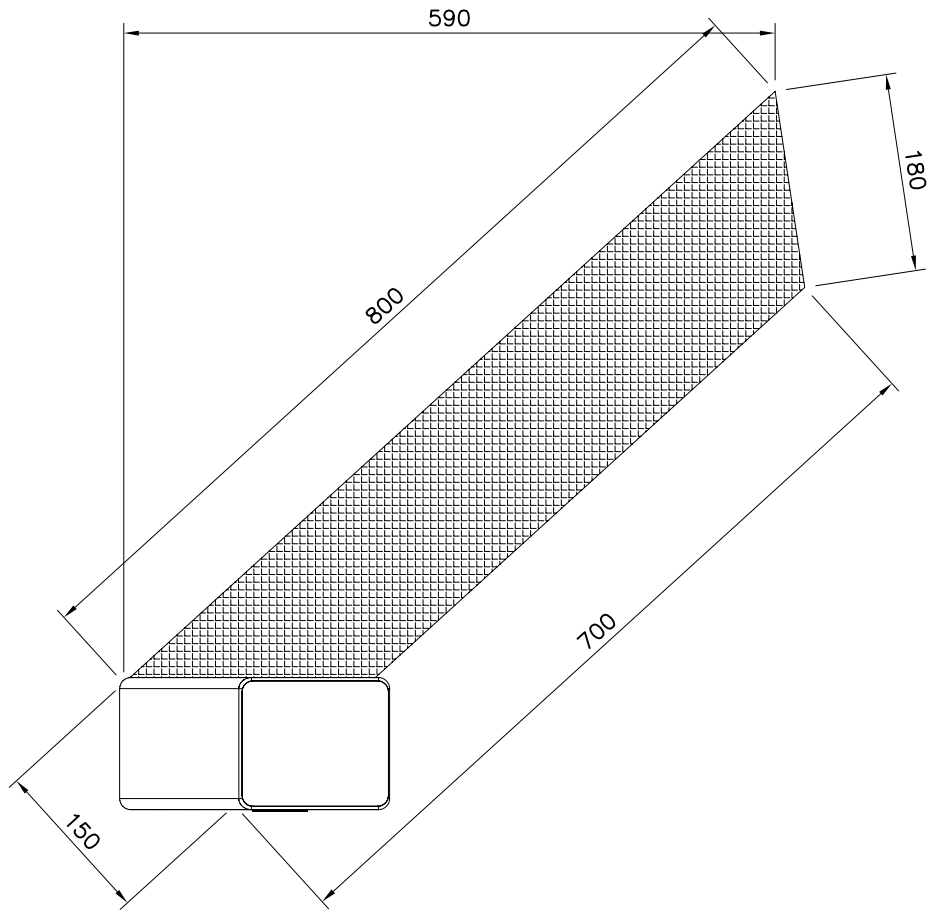


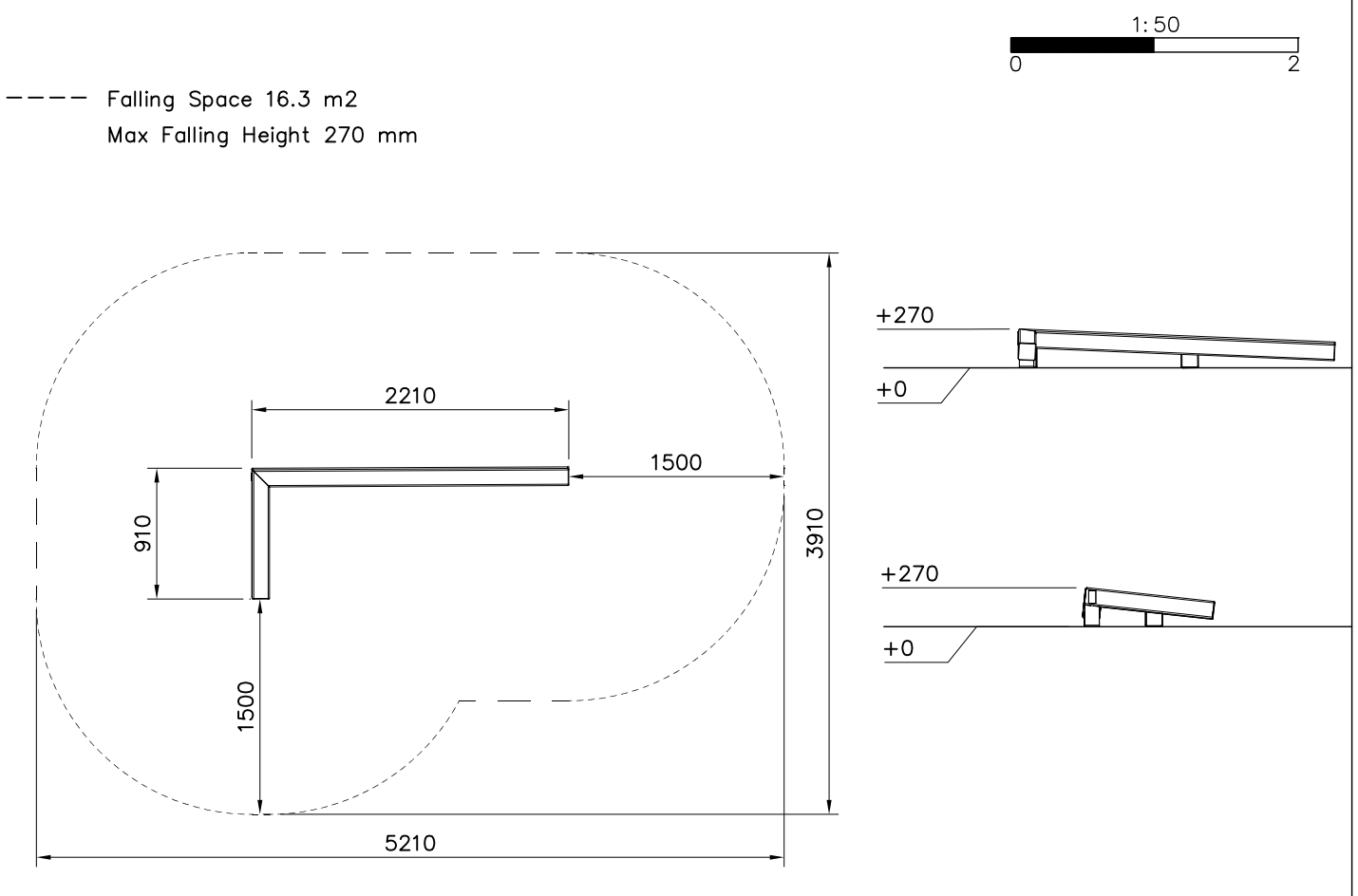
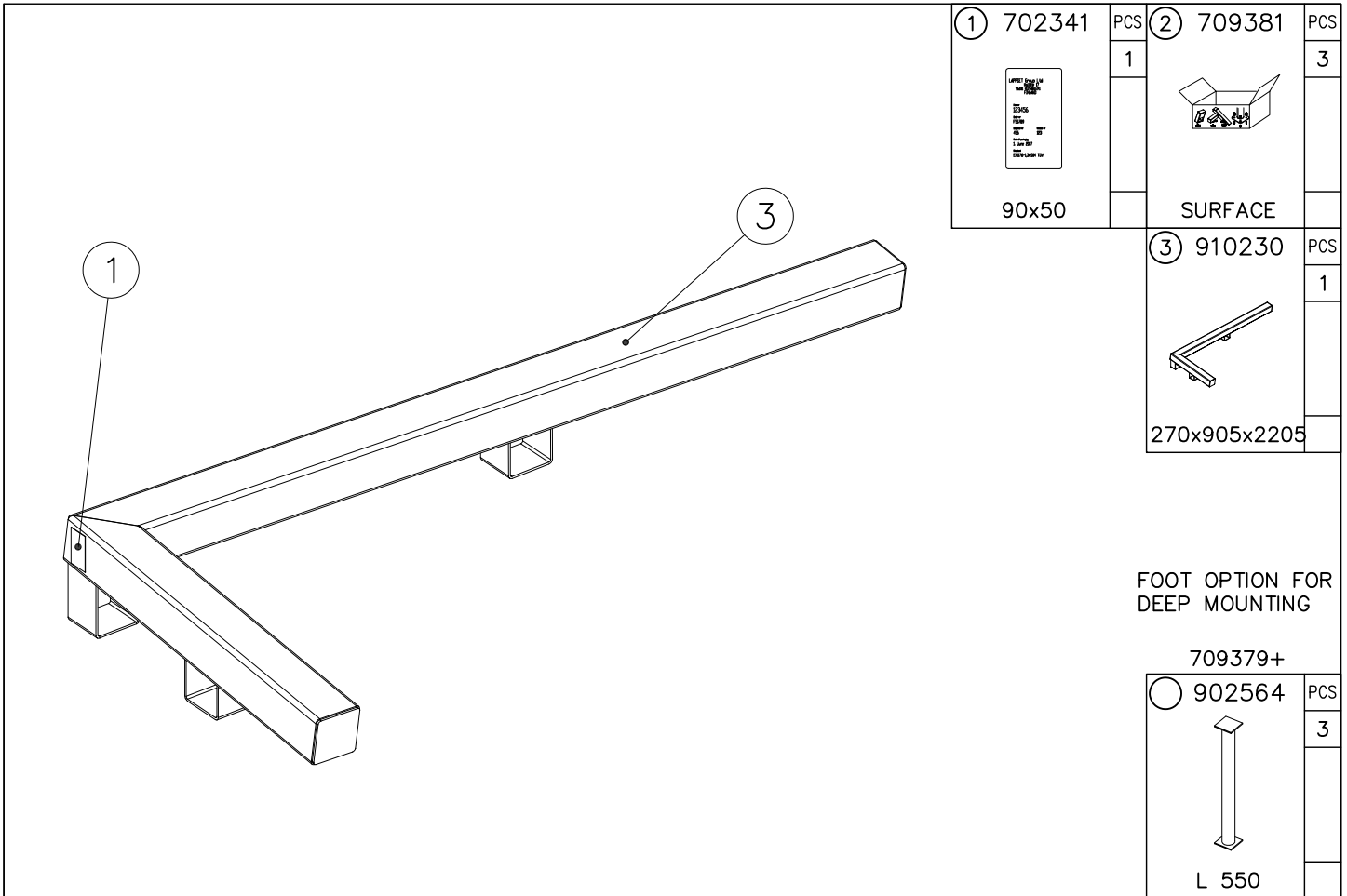


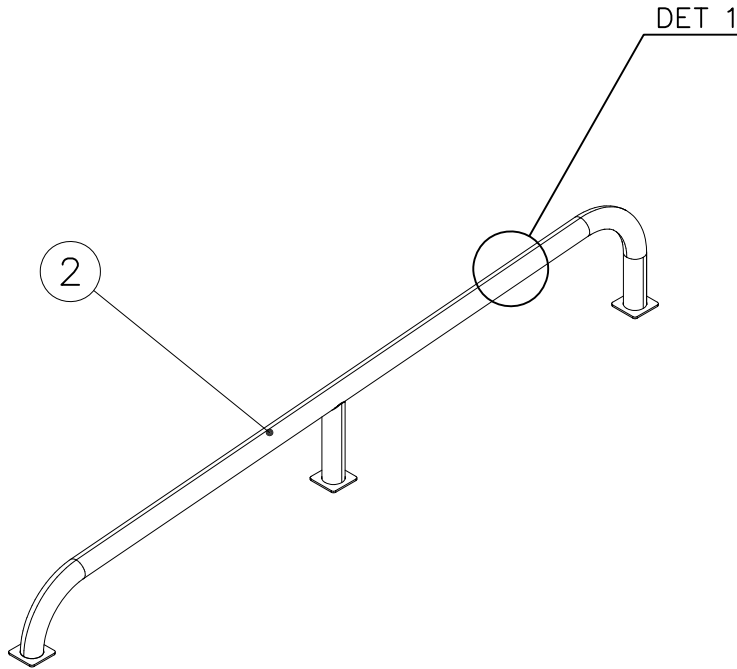
----- Falling Space 8.2 m²
Max Falling Height 200 mm


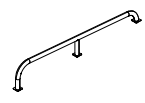
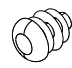


Shadow lines

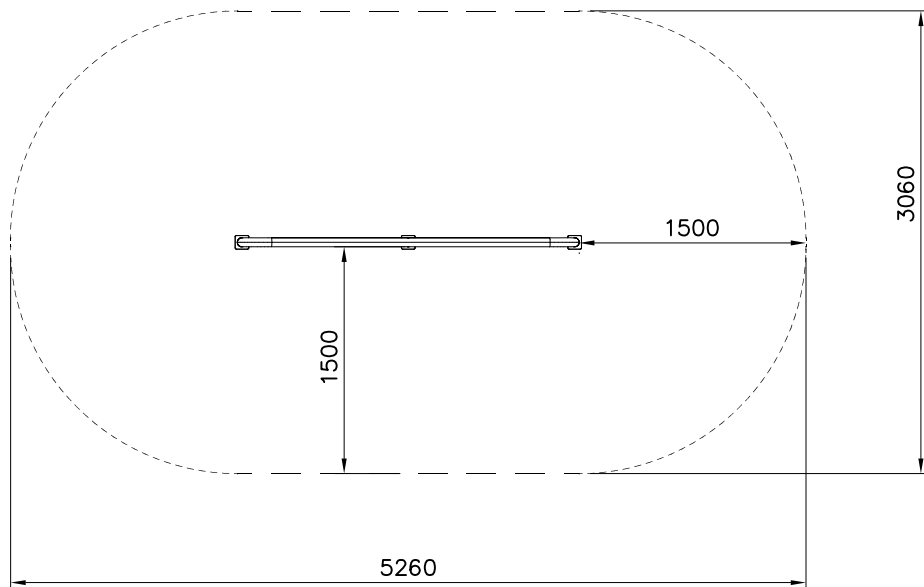
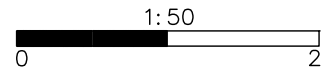


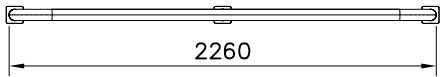
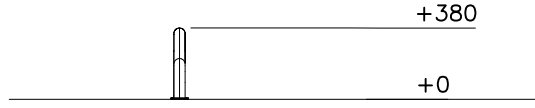
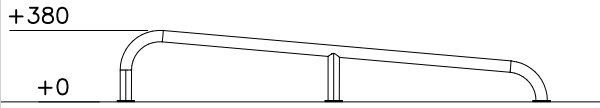




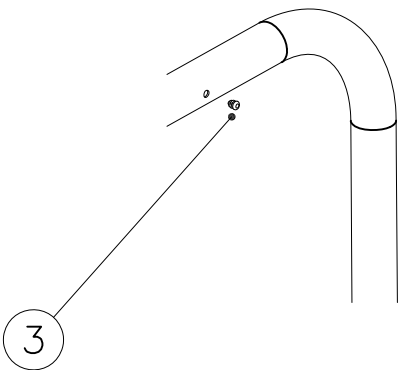
① 702341  90x50	PCS	② 910253  Ø60x376x2290	PCS
	1		1
③ 903533  SRL12	PCS		PCS
	4		

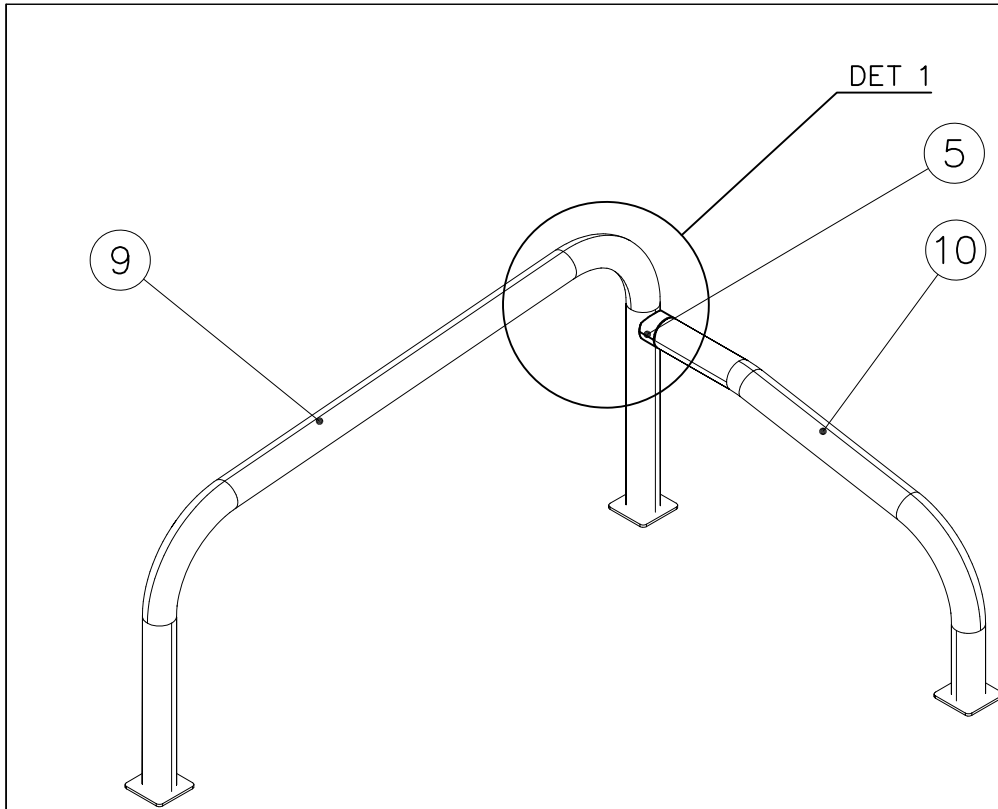
----- Falling Space 14.2 m²
 Max Falling Height 380 mm



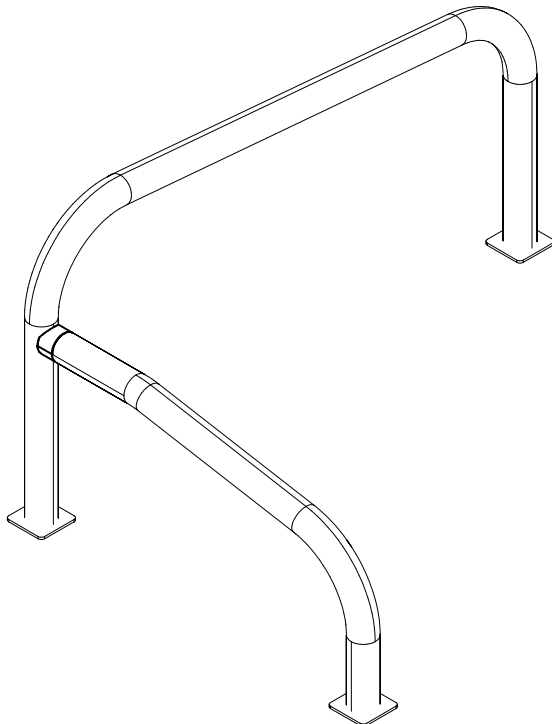


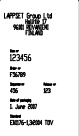


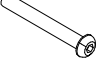
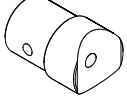
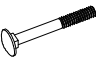



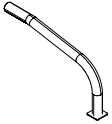

DET 1






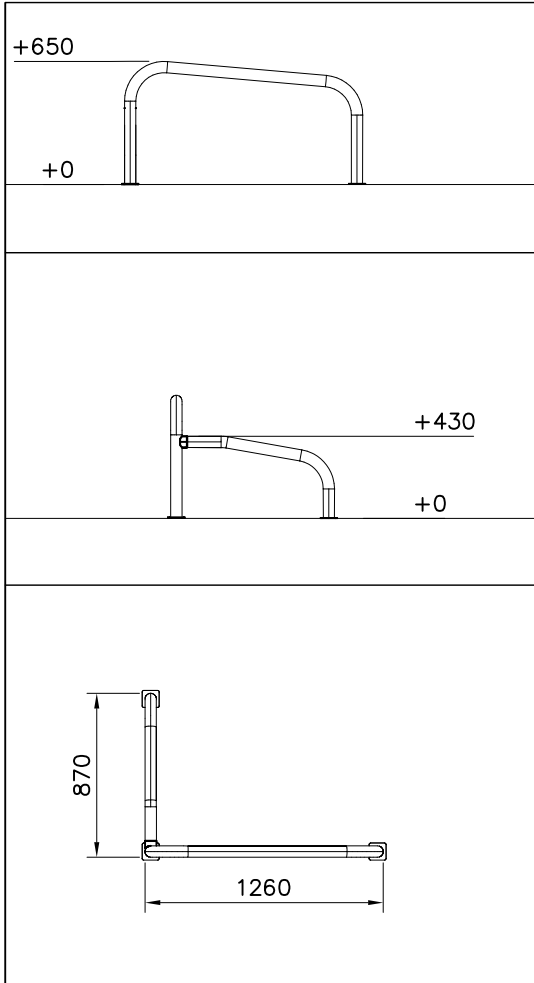
OPTION LEFT-HANDED



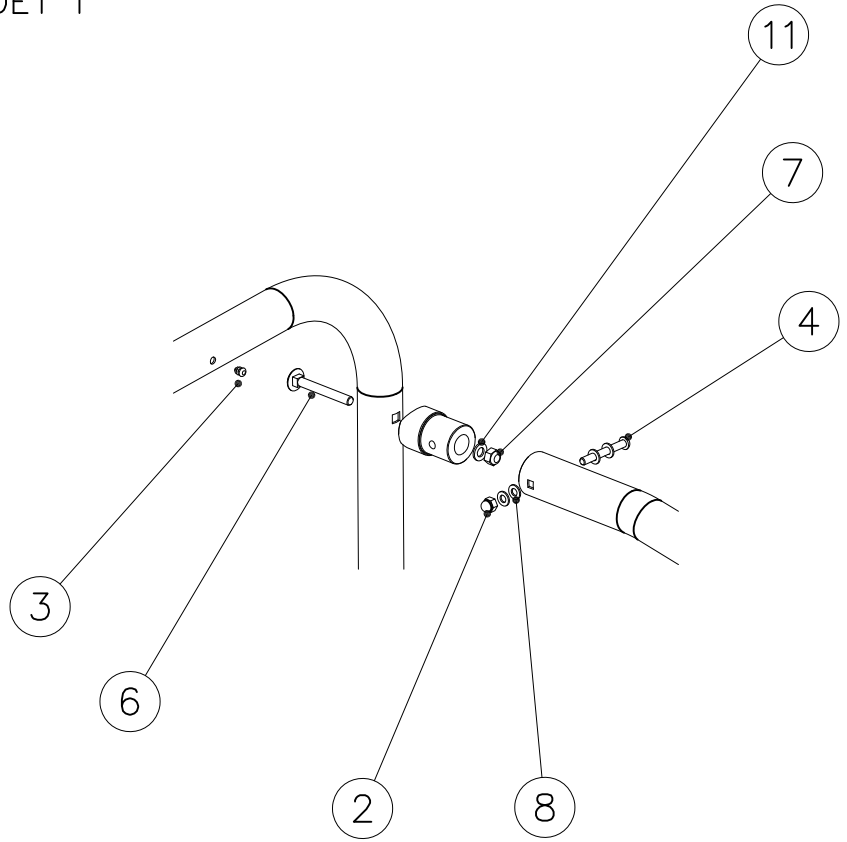
①	702341	PCS	②	900965	PCS
		1			1
	90x50		M10		
③	903533	PCS	④	904133	PCS
		4			1
	SRL12		M10x80		
⑤	908069	PCS	⑥	909111	PCS
		1			1
	Ø60x87.6		M12x100		
⑦	909248	PCS	⑧	909638	PCS
		1			4
	M12		Ø20/10.5		
⑨	910254	PCS	⑩	910262	PCS
		1			1
	Ø60x650x1290		Ø60x435x795		
⑪	980154	PCS			PCS
		1			
	Ø24/13				

FOOT OPTION FOR DEEP MOUNTING

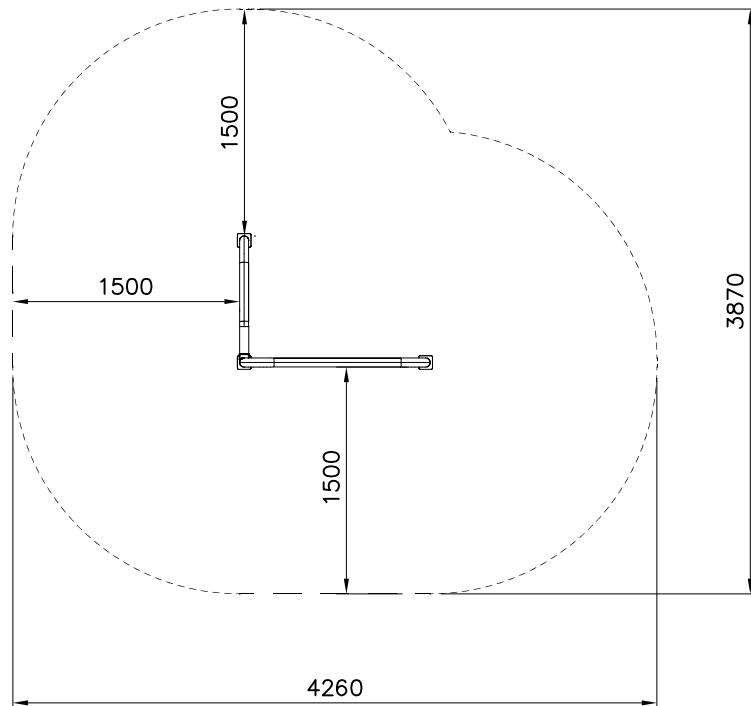
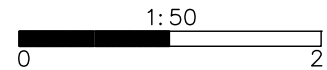
	709379+	
○	902564	PCS
		3
	L 550	

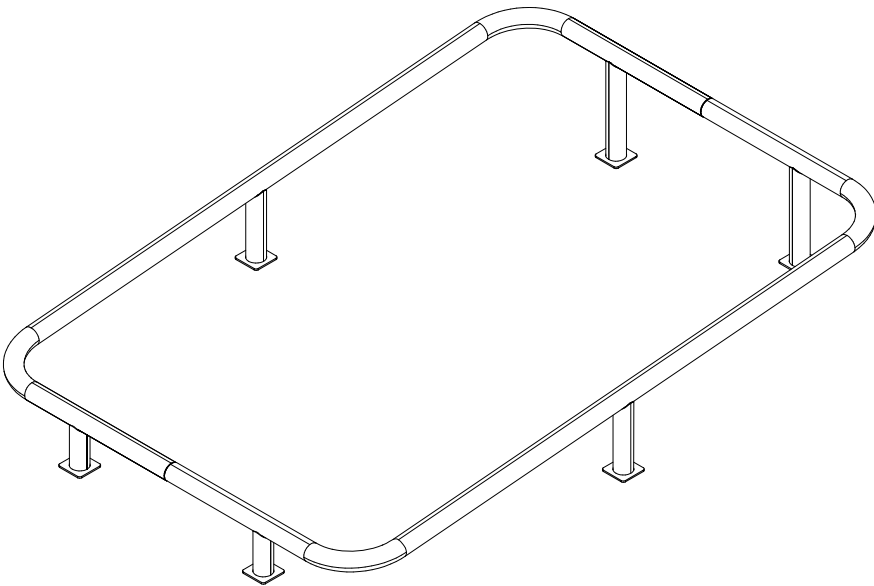


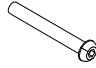

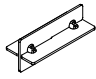
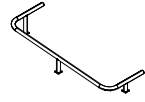
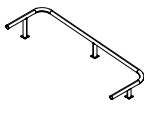
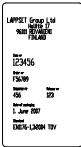


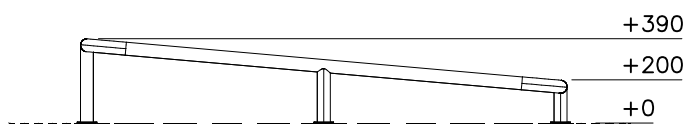
DET 1



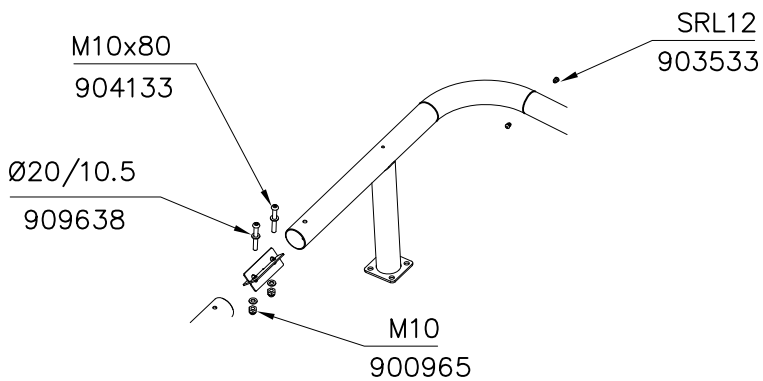
----- Falling Space 13.1 m²
Max Falling Height 650 mm

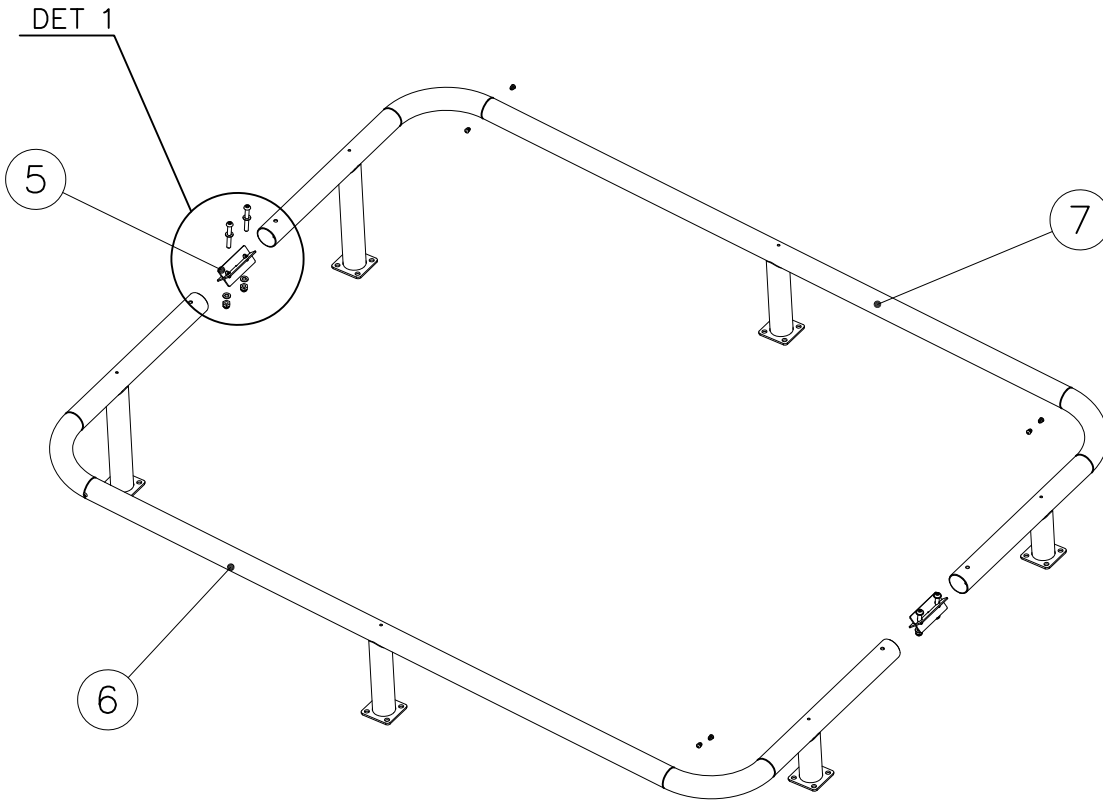


	① 900965 PCS  M10	② 903533 PCS  SRL12	
	③ 904133 PCS  M10x80	④ 909638 PCS  Ø20/10.5	
	⑤ 910052 PCS  53x53x120	⑥ 910054 PCS  390x780x2282	
	⑦ 910055 PCS  390x780x2282	⑧ 702341 PCS  90x50	
		PCS	PCS

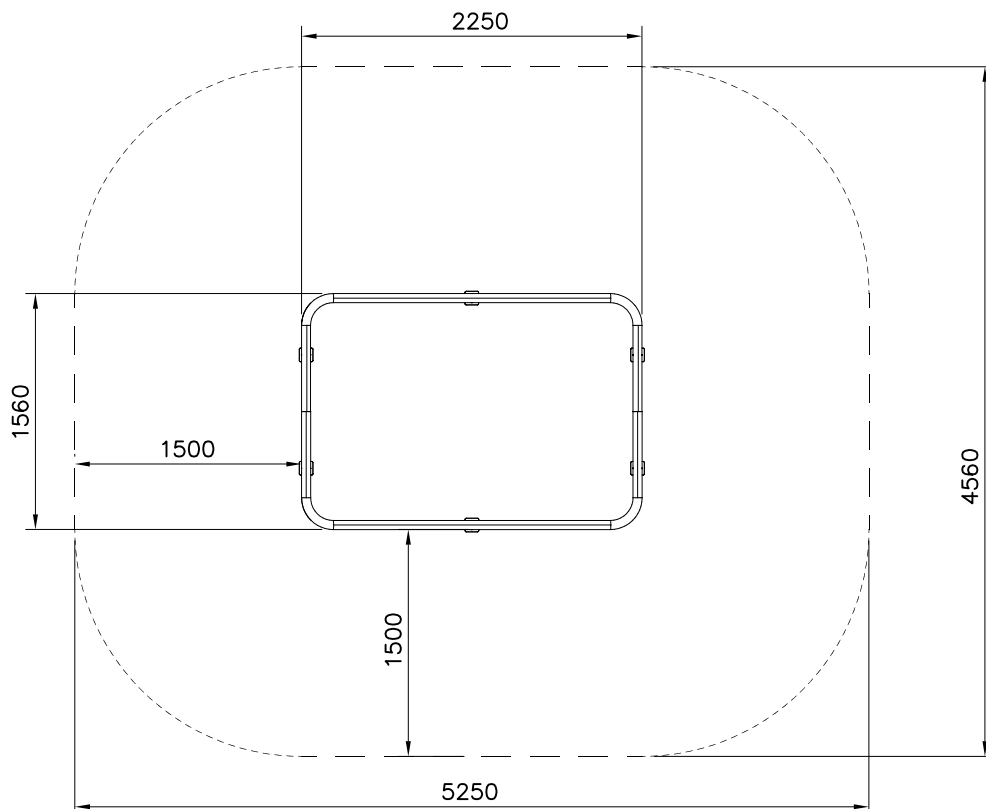
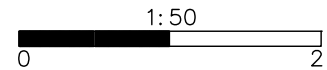


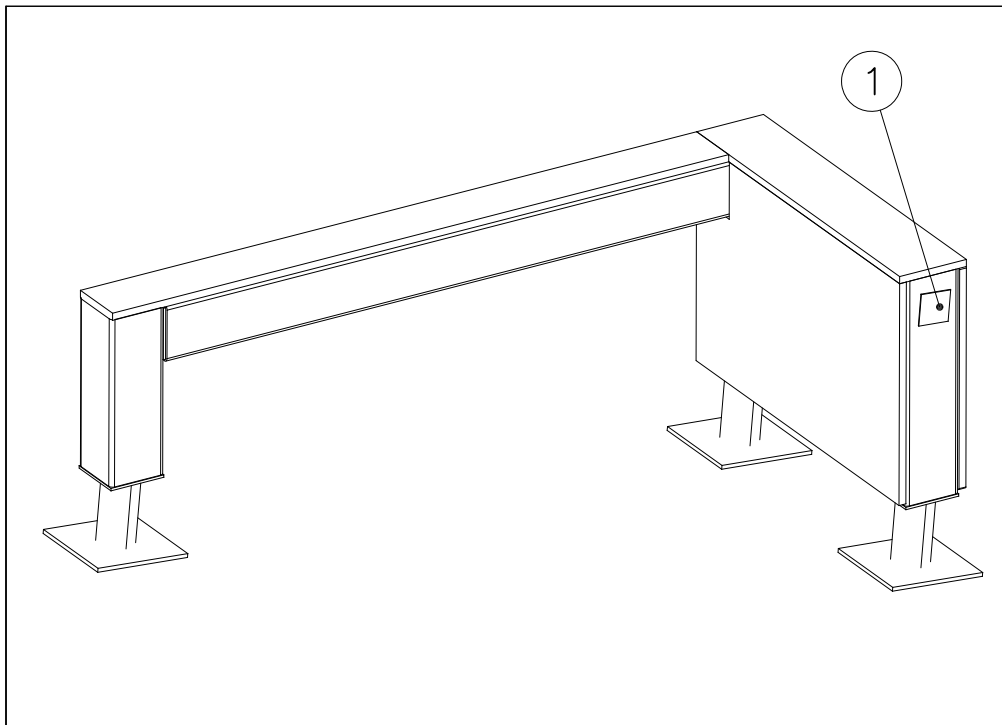
DET 1

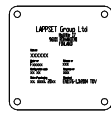
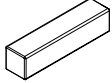



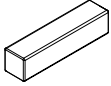


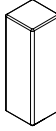
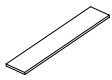
----- Falling Space 22 m2
Max Falling Height 390 mm

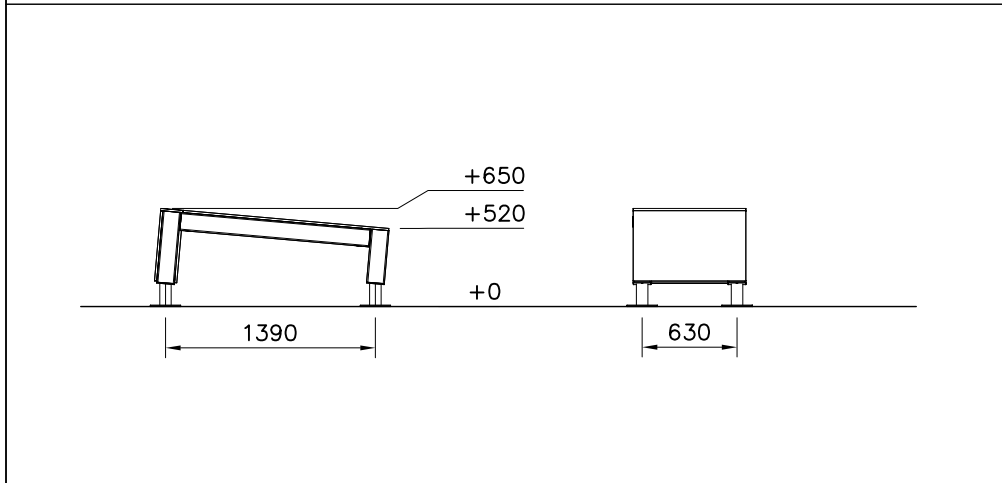



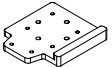


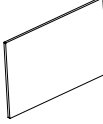

① 702286	PCS	② 707210	PCS
	1		2
65x65		118x118x503	

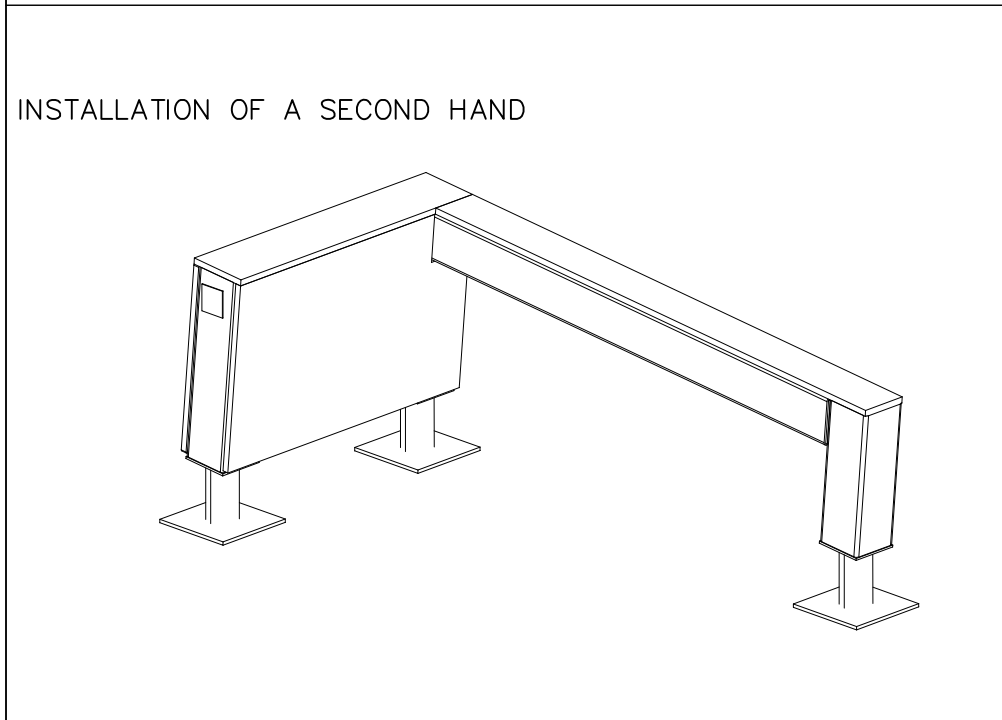
③ 707212	PCS	④ 707889	PCS
	1		2
118x118x1254		118x118x472	



⑤ 708443	PCS	⑥ 708733	PCS
	1		1
118x118x352		15x148x745	


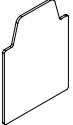


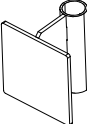
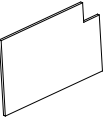
⑦ 708734	PCS	⑧ 708857 JIG	PCS
	1		1
15x118x1365		20x133x149	




⑨ 708731	PCS	⑩ 900240	PCS
	1		16
15x466x745		Ø8x70	



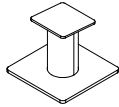
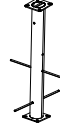
⑪ 903093	PCS	⑫ 905103	PCS
	4		2
Ø8x90		PT-28/32-H	

⑬ 905112	PCS	⑭ 908698	PCS
	4		4
Ø22		3x114x108	

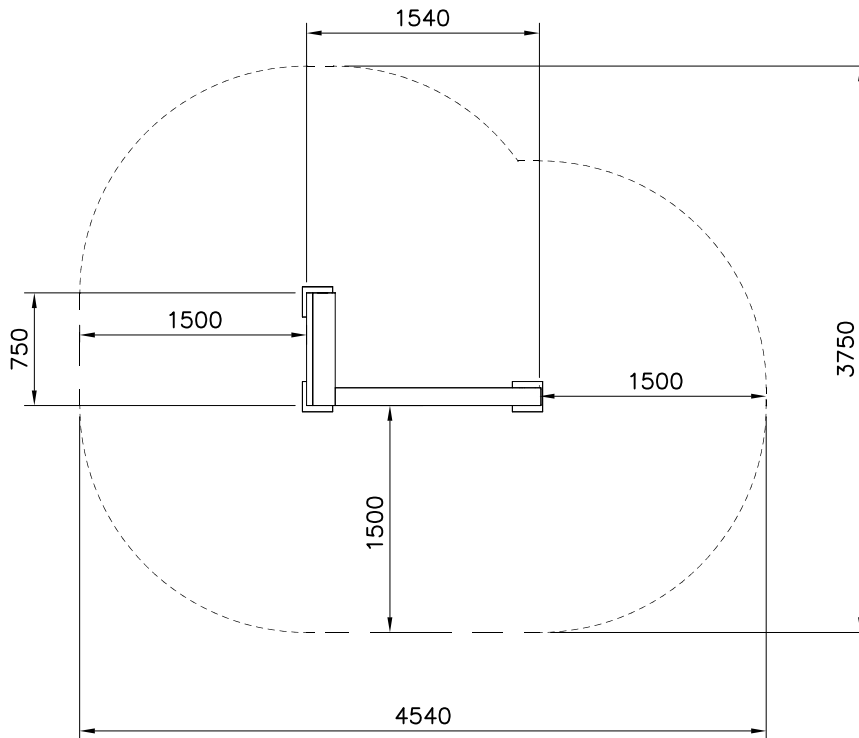
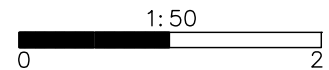
⑮ 910266	PCS	⑯ 708732	PCS
	2		1
90x108x118		15x466x745	

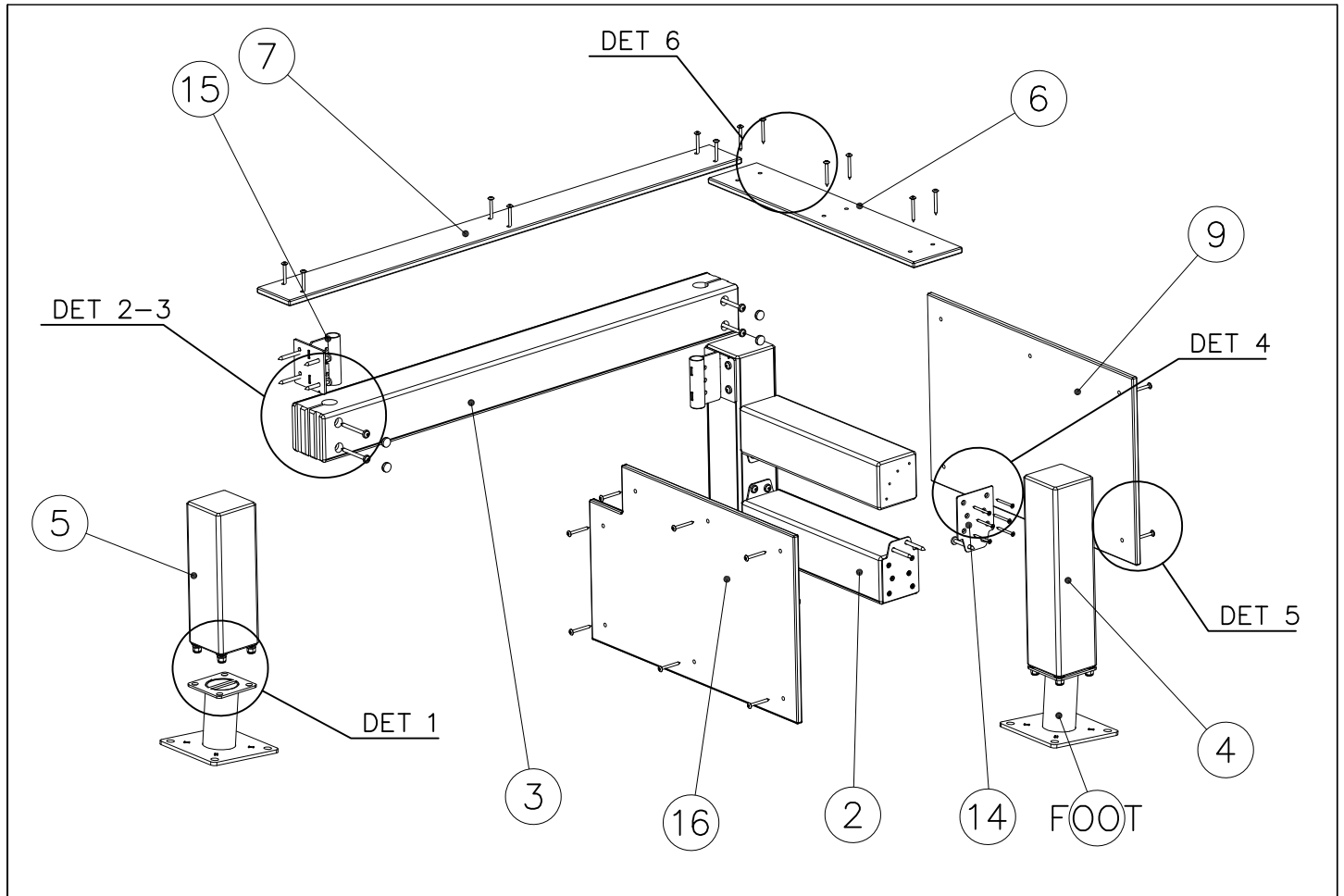
17	980100	PCS	18	980114	PCS	19	980123	PCS
		28			4			25
								
	Ø5x60			Ø4x20			Ø7x60	

FOOT OPTIONS

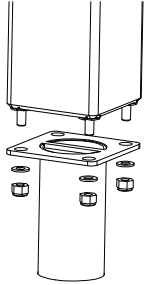
709261+		709262+	
○ 910267	PCS	○ 910567	PCS
SURFACE	3	CONCRETE	3
			
152x200x200		117x117x715	

----- Falling Space 13.8 m²
Max Falling Height 650 mm

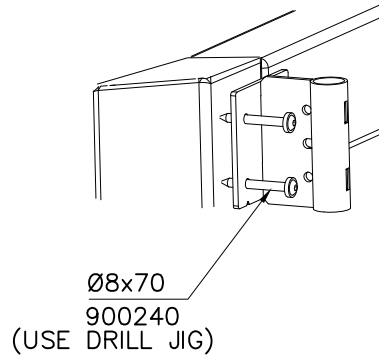




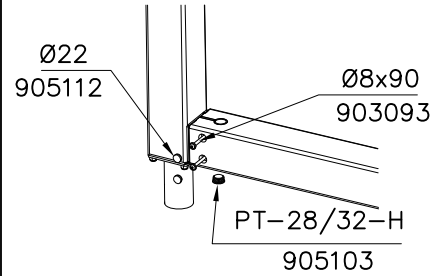
DET 1



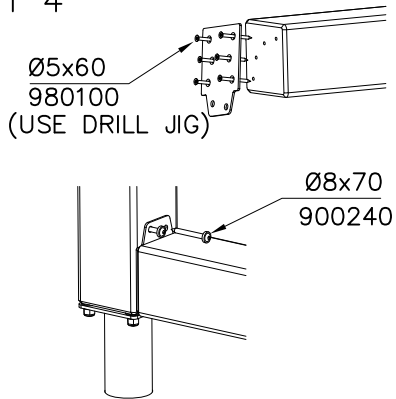
DET 2



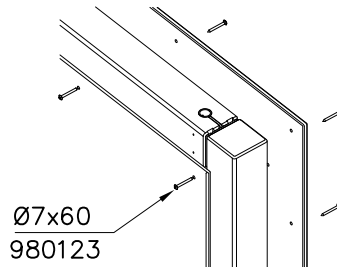
DET 3



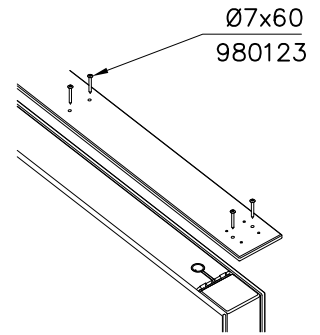
DET 4



DET 5



DET 6



JIG DET A (USE DET 2-4)

NOTE:
Use drill jig 708857
to predrill $\text{Ø}5\sqrt{50}$
holes for 910266
and 908698

