

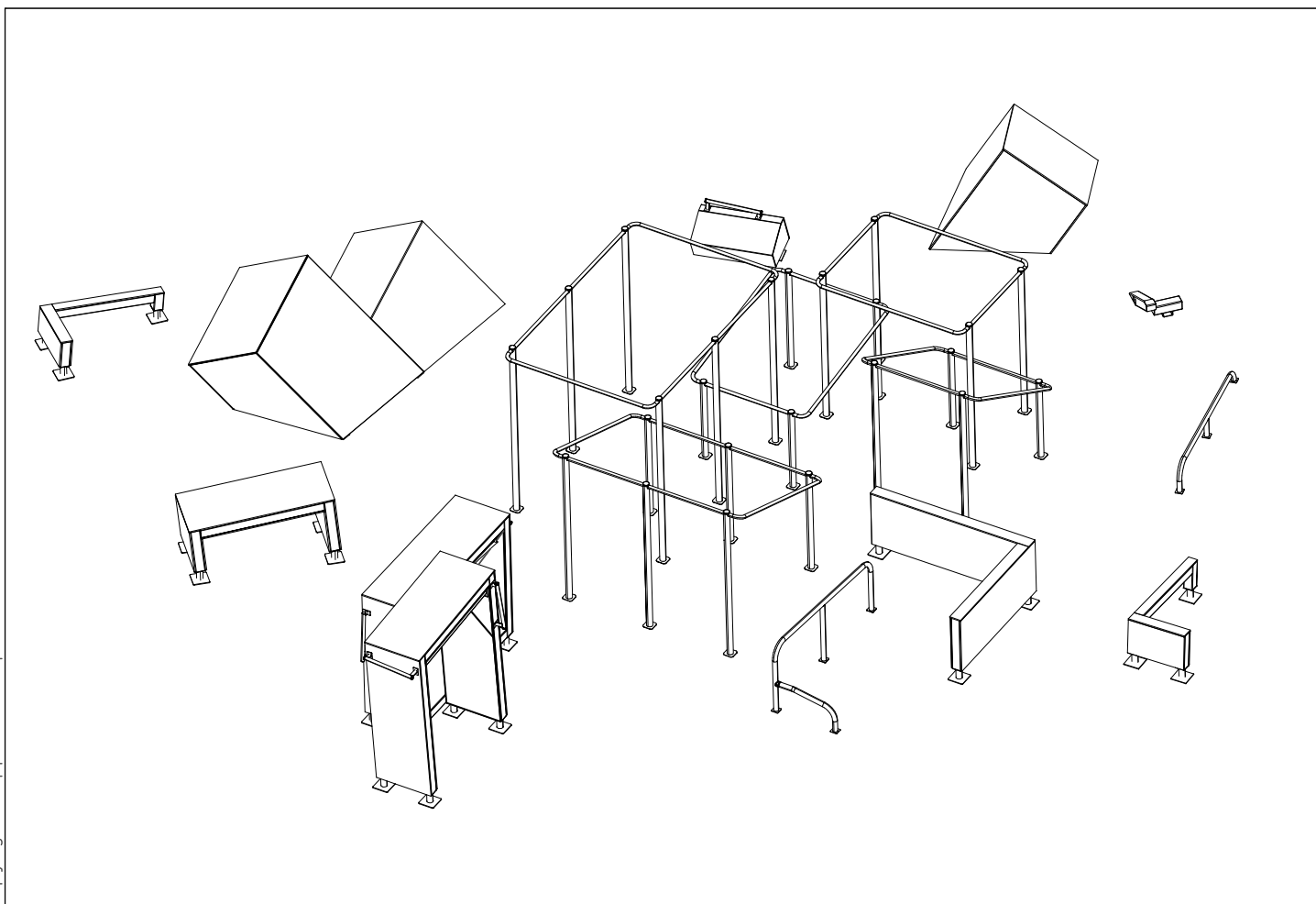
LAPPSET®

DASH PARKOUR

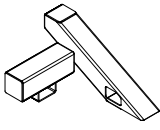

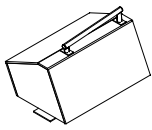

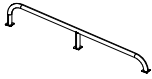

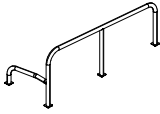

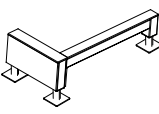

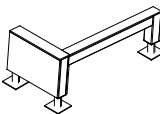

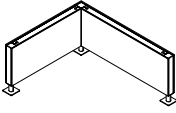

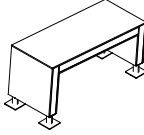

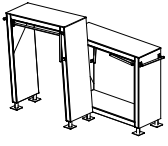

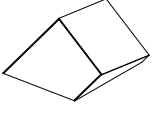

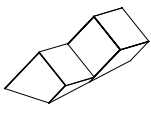

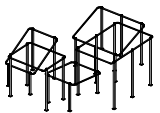

ASENNUSOHJE
MONTERINGSANSVISNING
INSTALLATION INSTRUCTION
AUFBAUANLEITUNG
NOTICE D'INSTALLATION

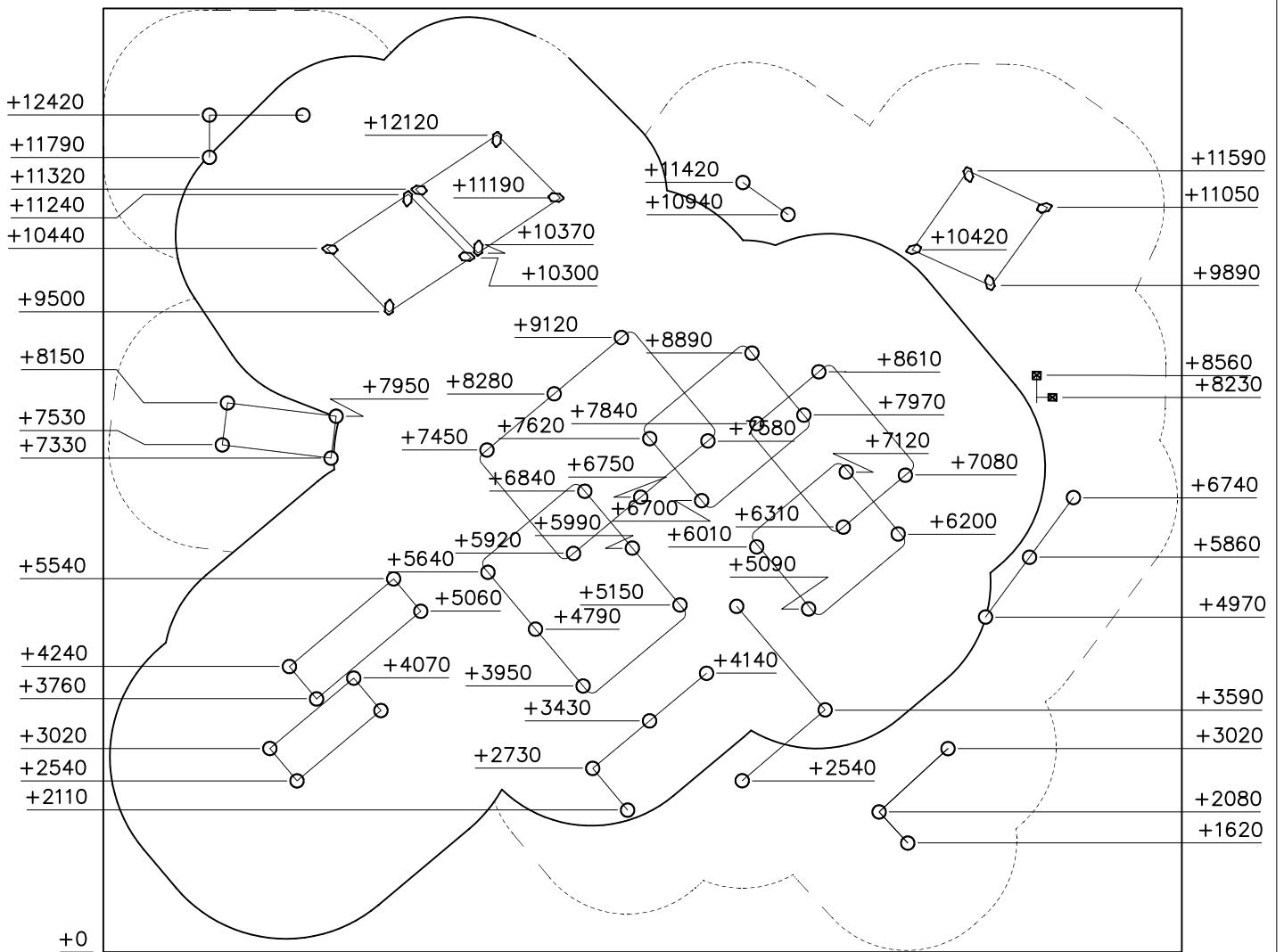
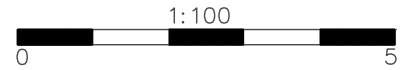
DATE: 20.1.2020

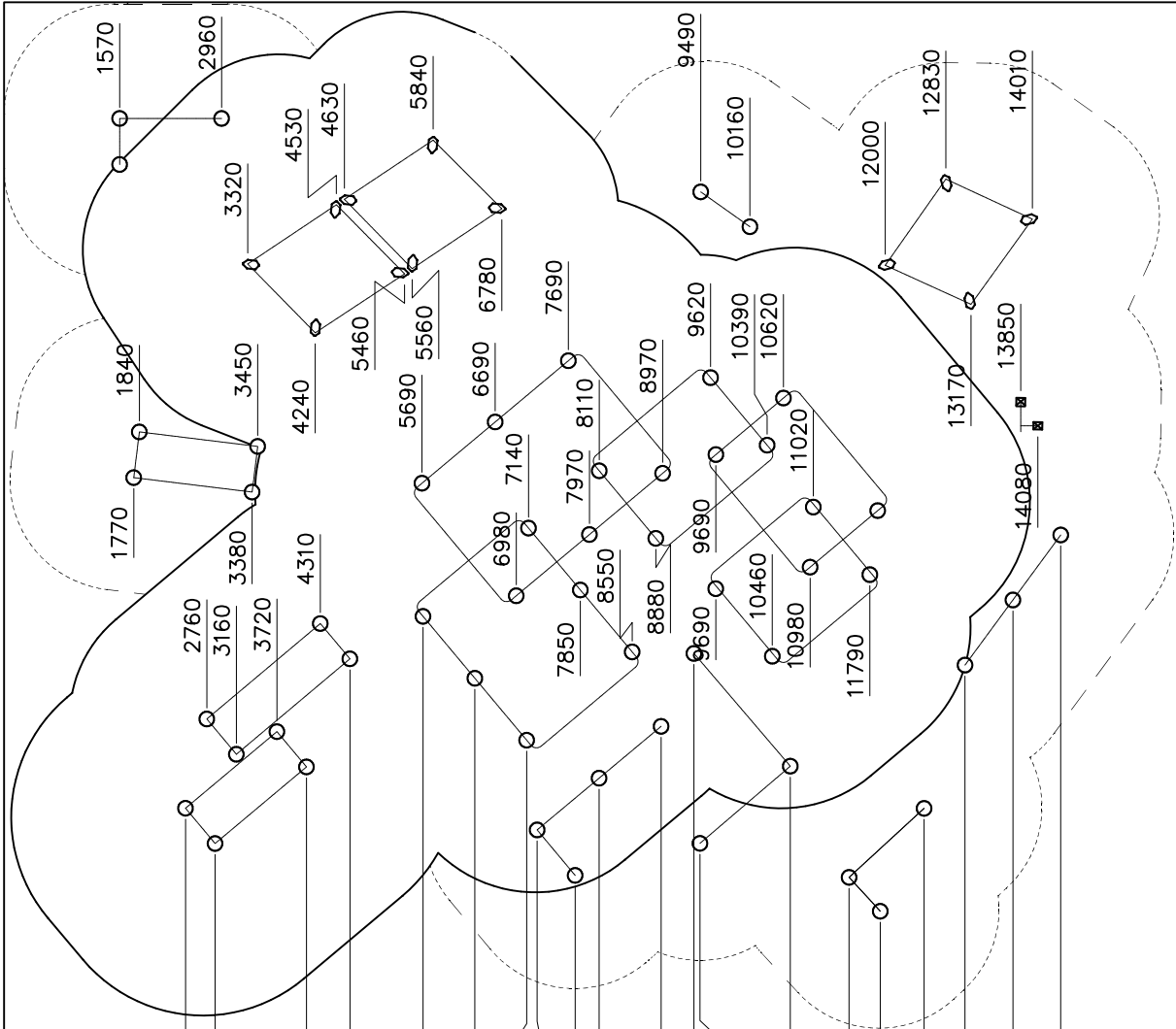
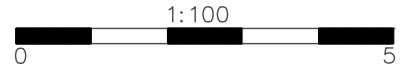
081787M



DATE: 20.1.2020

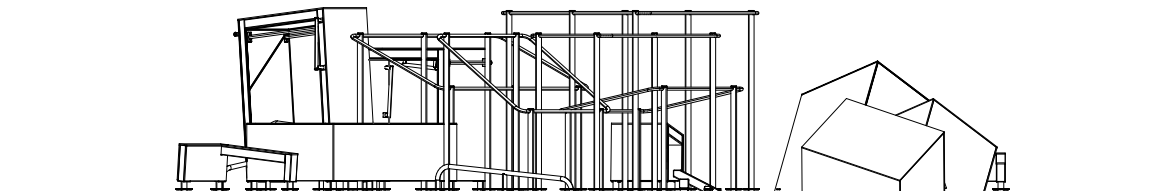
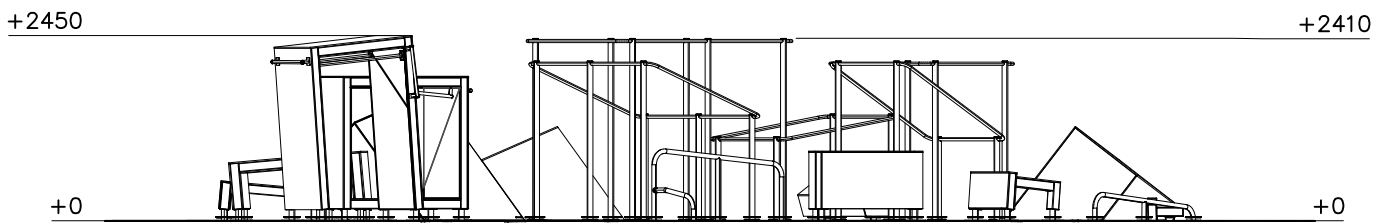
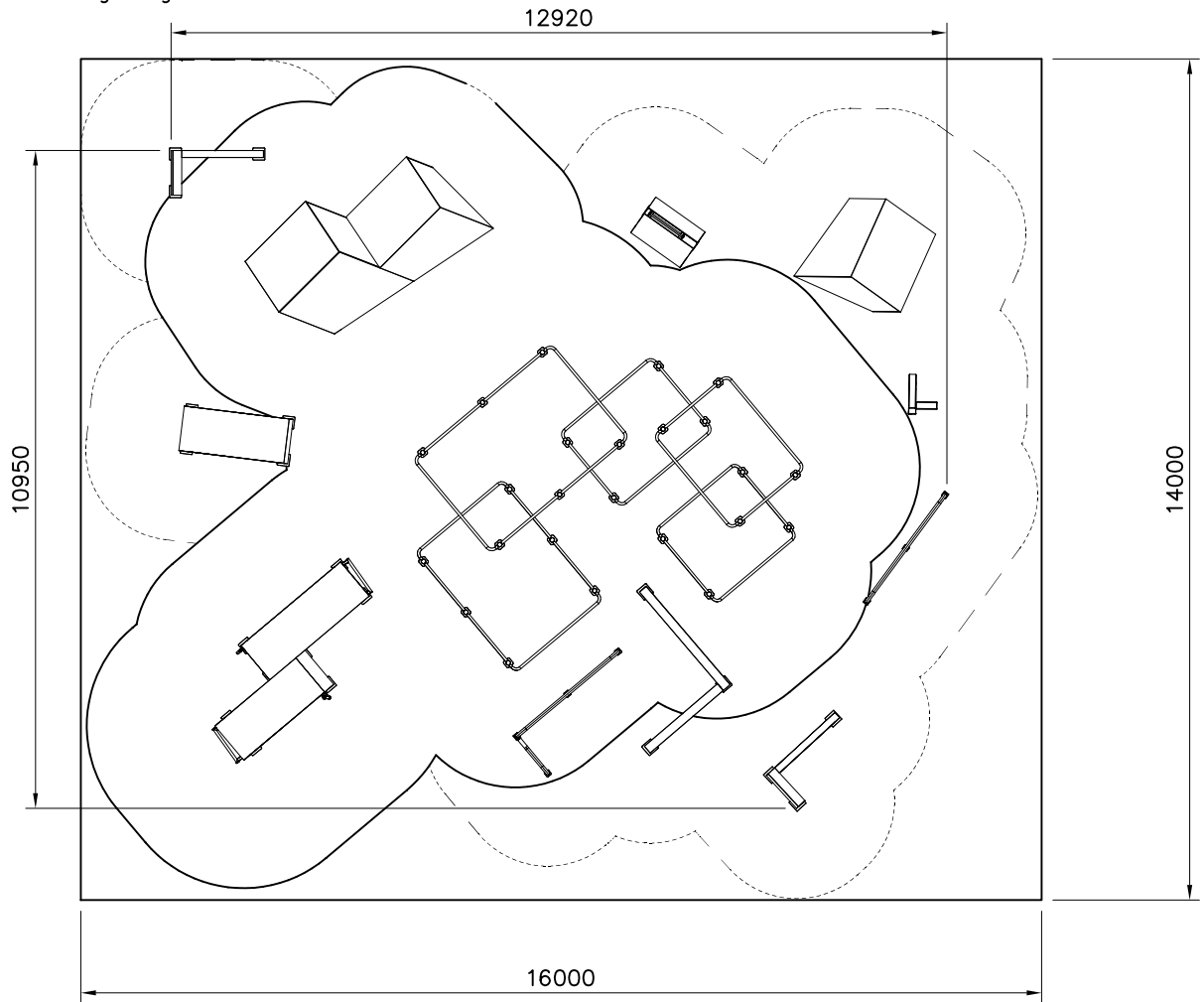
081701M  	PCS 1	081702M  	PCS 1	081710M  	PCS 1	081712M  	PCS 1	081720M  	PCS 1	081721M  	PCS 1
081722M  	PCS 1	081730M  	PCS 1	081738M  	PCS 1	081740M  	PCS 1	081743M  	PCS 1	081752M  	PCS 1
	PCS		PCS		PCS		PCS		PCS		PCS
	PCS		PCS		PCS		PCS		PCS		PCS
	PCS		PCS		PCS		PCS		PCS		PCS
	PCS		PCS		PCS		PCS		PCS		PCS
	PCS		PCS		PCS		PCS		PCS		PCS



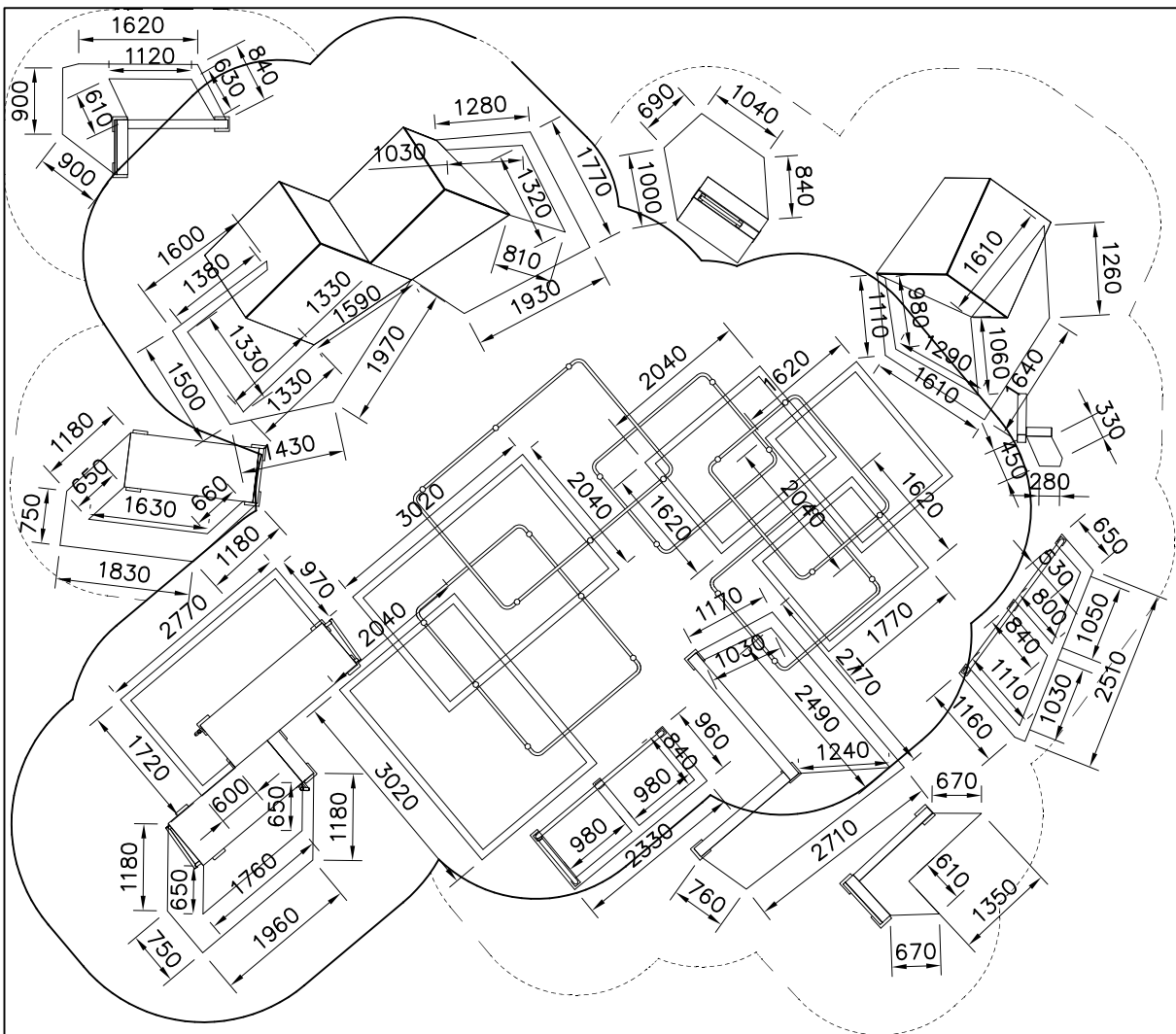


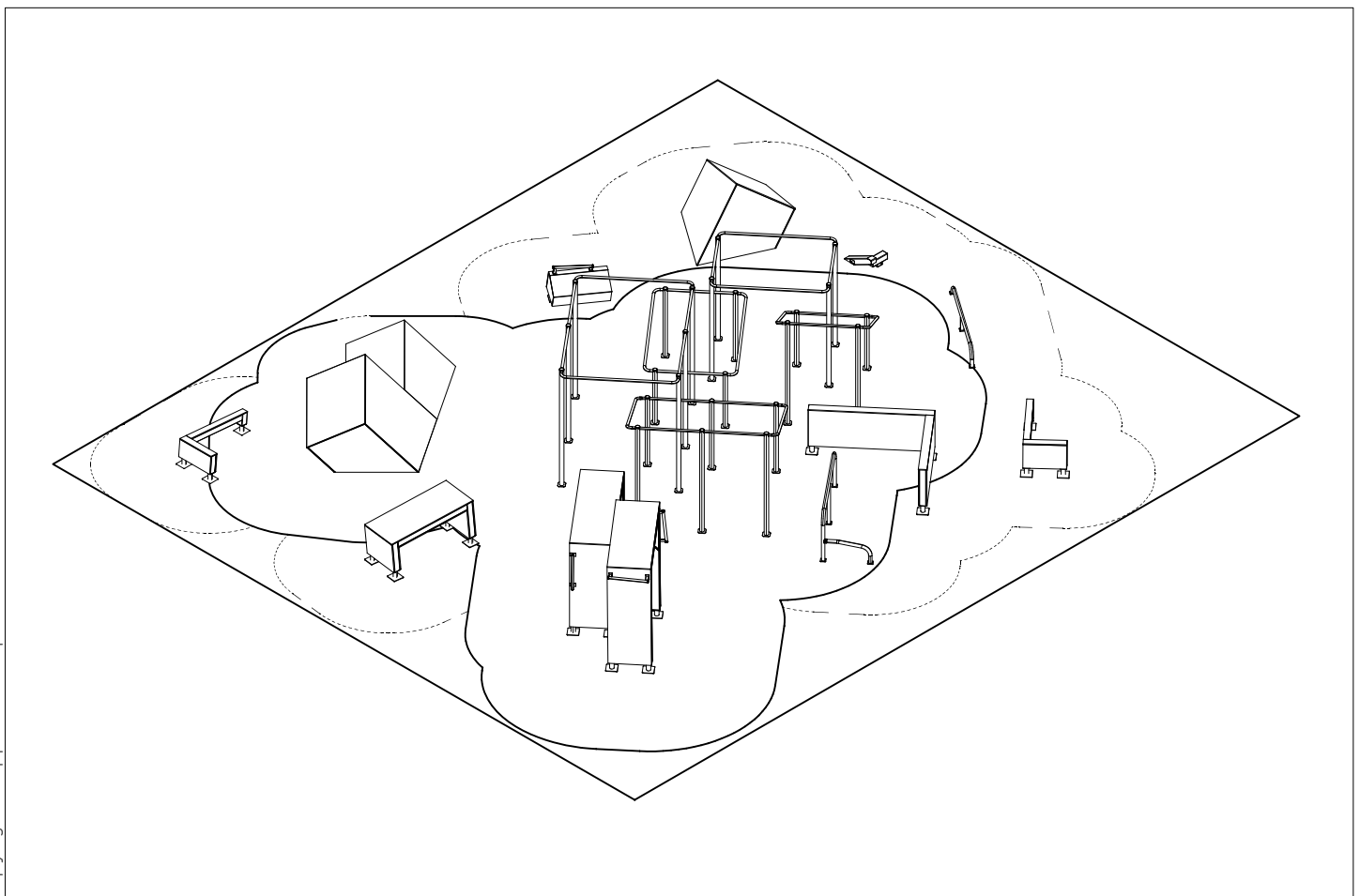
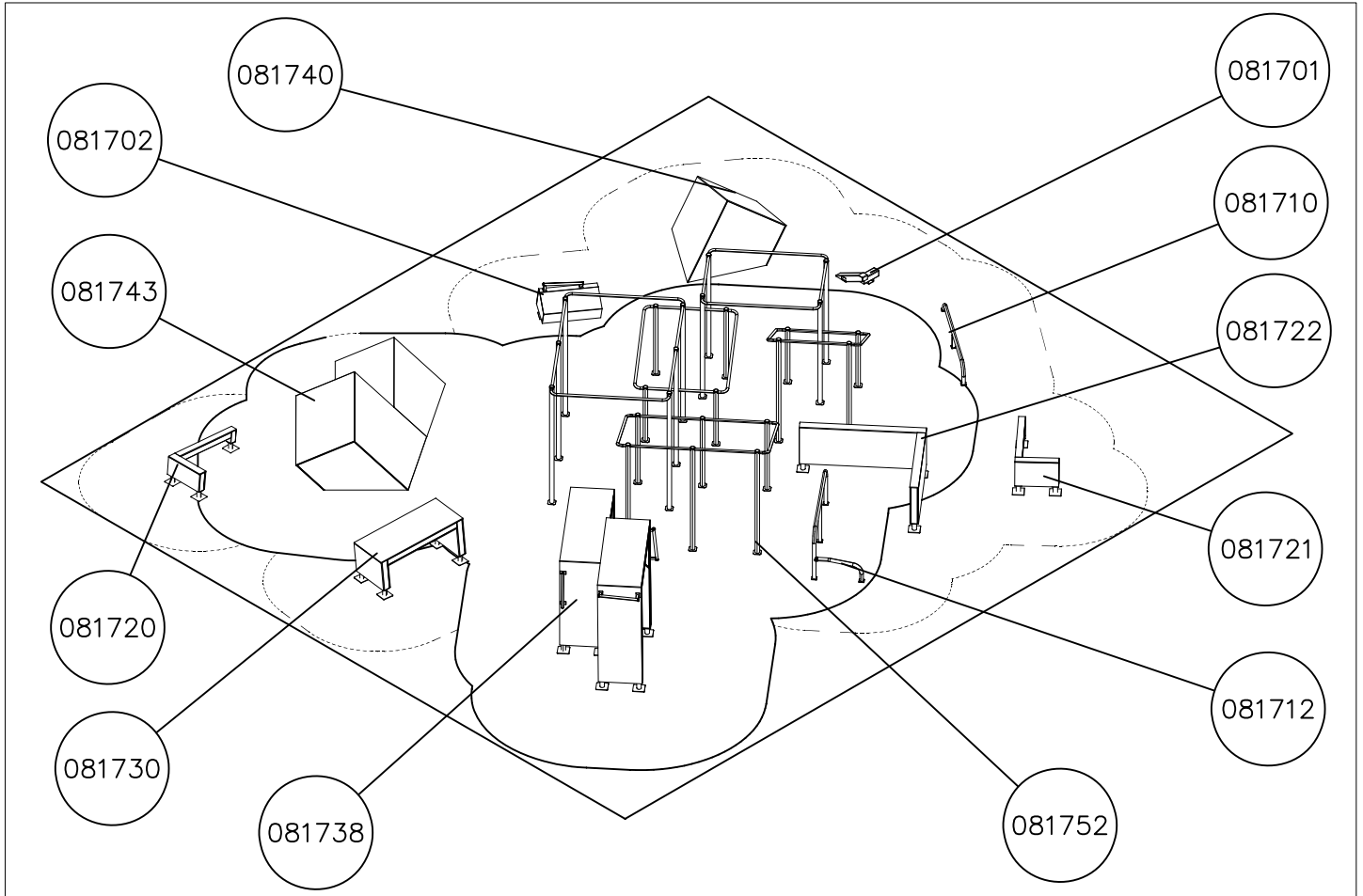
- EN Impact Attenuating Surface (IAS) 118.2 m²
- Falling Space 182.7 m²
- Max Falling Height 2450 mm

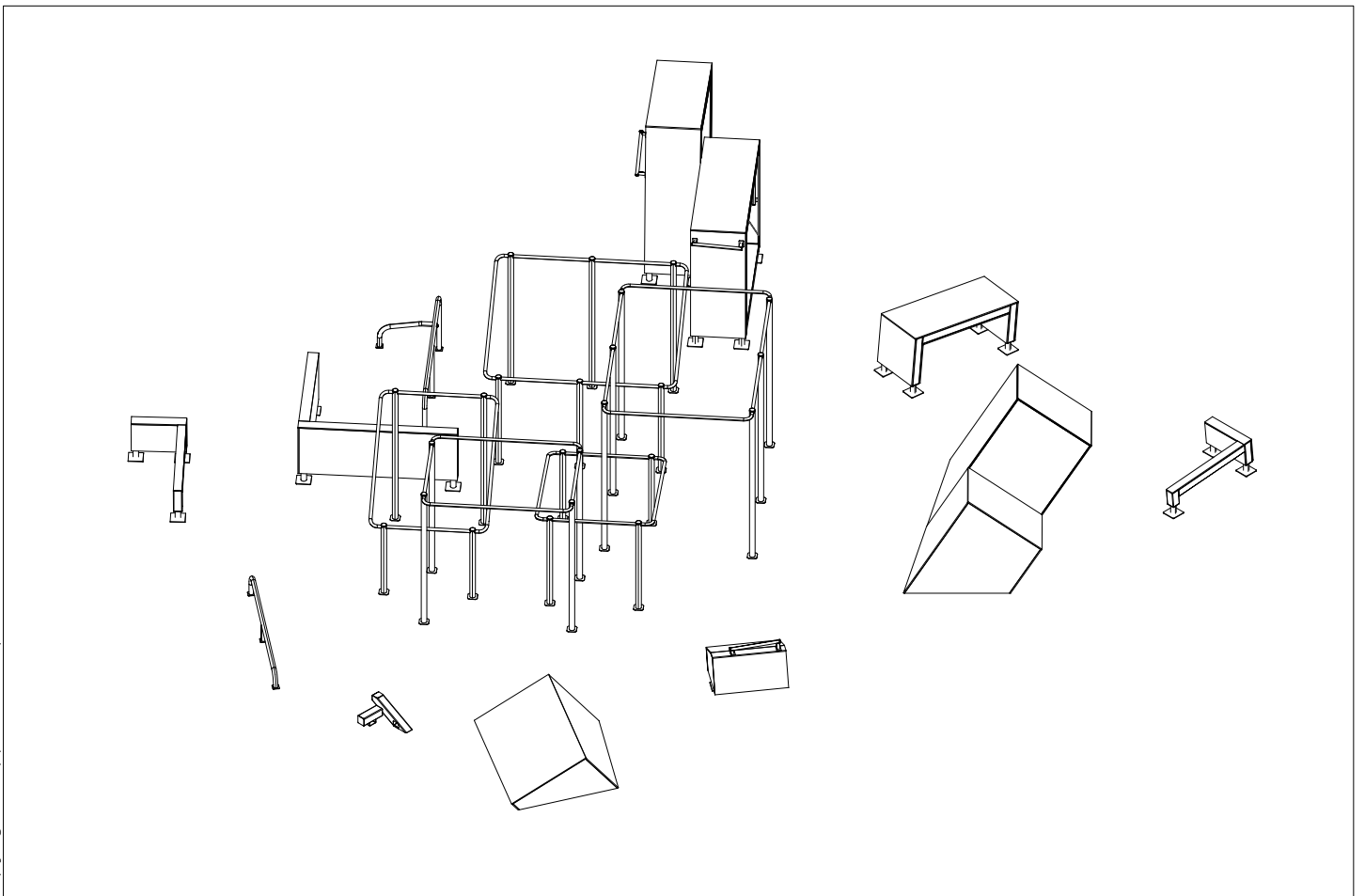
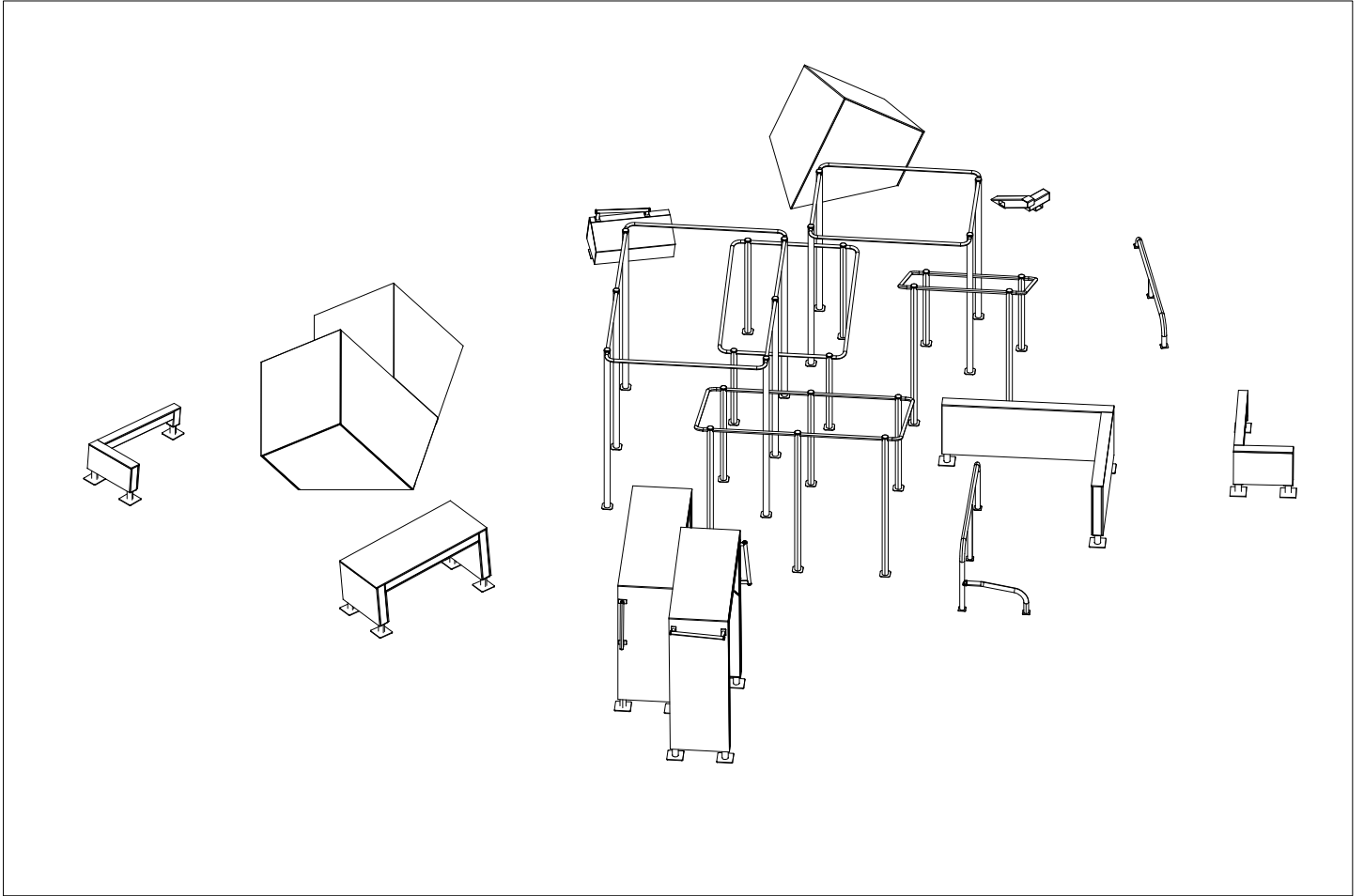
1:125

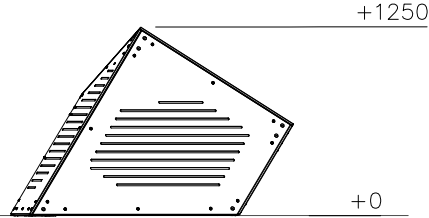
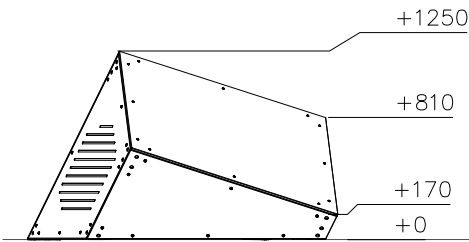
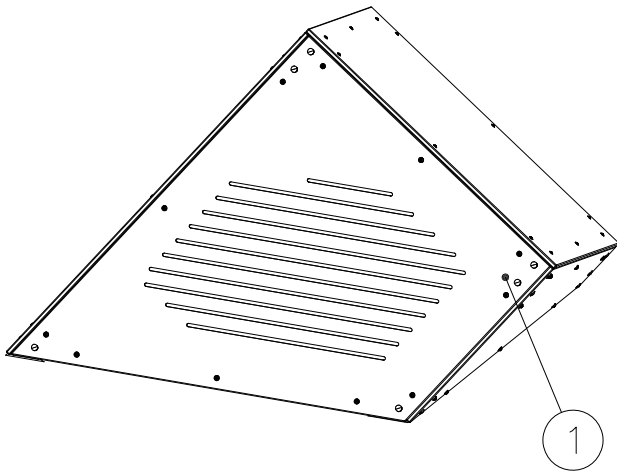


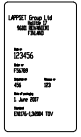
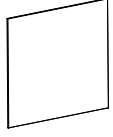

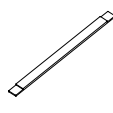
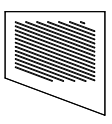
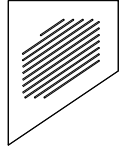
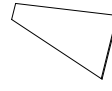
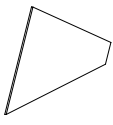
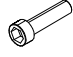

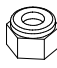


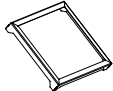

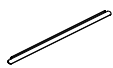



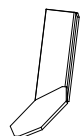
Groudmarks












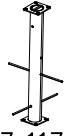


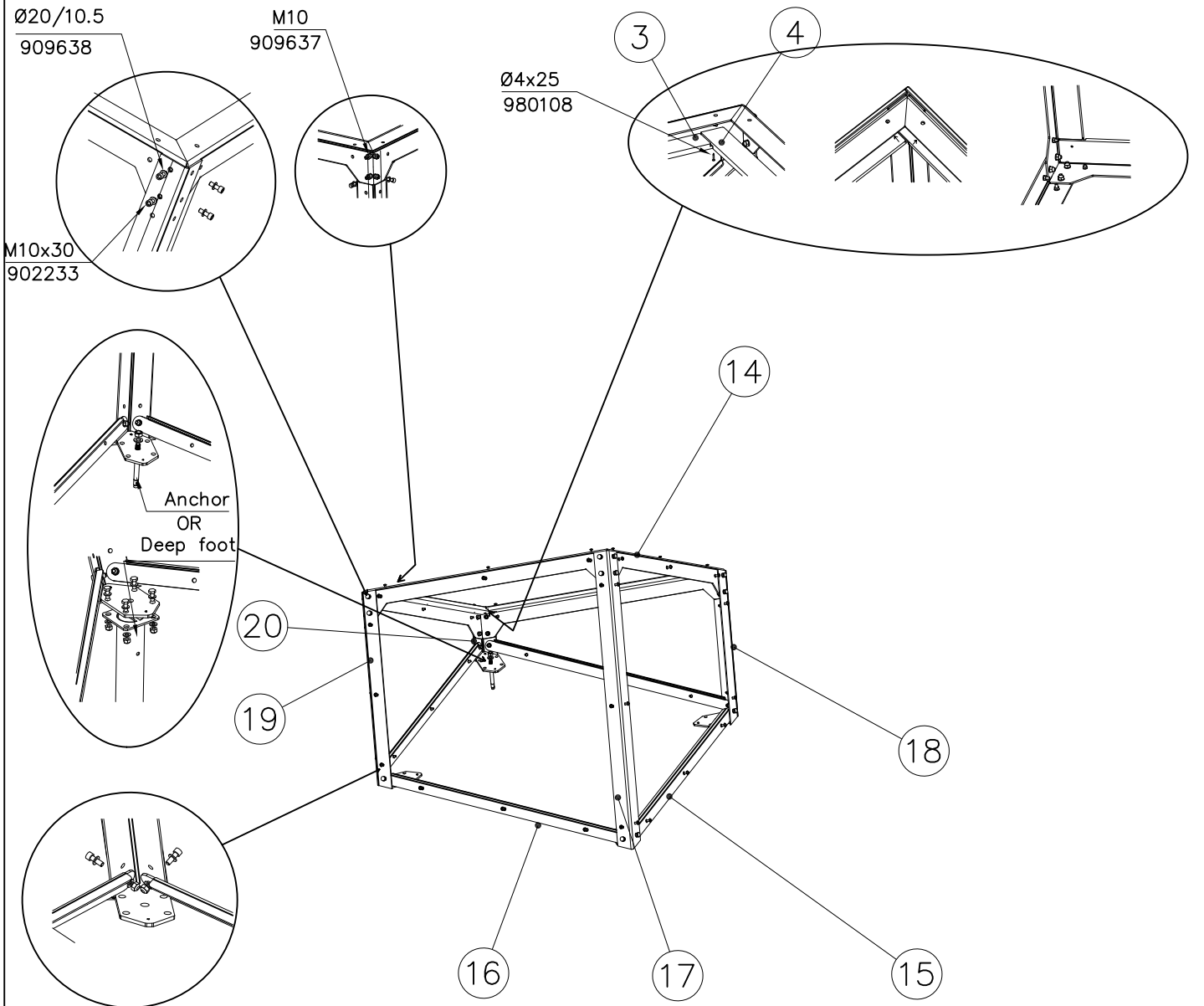
① 702341	PCS	② 712657	PCS
	1		1
90x50		16x1200x1486	
③ 709164	PCS	④ 709165	PCS
	2		2
18x80x1135		18x80x1420	
⑤ 712662	PCS	⑥ 712663	PCS
	1		1
16x1486x1545		16x1170x1540	
⑦ 712664	PCS	⑧ 712665	PCS
	1		1
16x1170x1620		16x990x1170	
⑨ 902233	PCS	⑩ 905112	PCS
	24		24
M10x30		Ø22	
⑪ 909637	PCS	⑫ 909638	PCS
	24		48
M10		Ø20/10.5	
⑬ 909876	PCS	⑭ 910744	PCS
	48		1
M8x40		154x1160x1445	
⑮ 910768	PCS	⑯ 910769	PCS
	2		2
30x60x1349		30x60x1504	
⑰ 910789	PCS	⑱ 910790	PCS
	1		1
L 1528		L 796	
⑲ 910791	PCS	⑳ 910792	PCS
	1		1
L 1016		L 254	

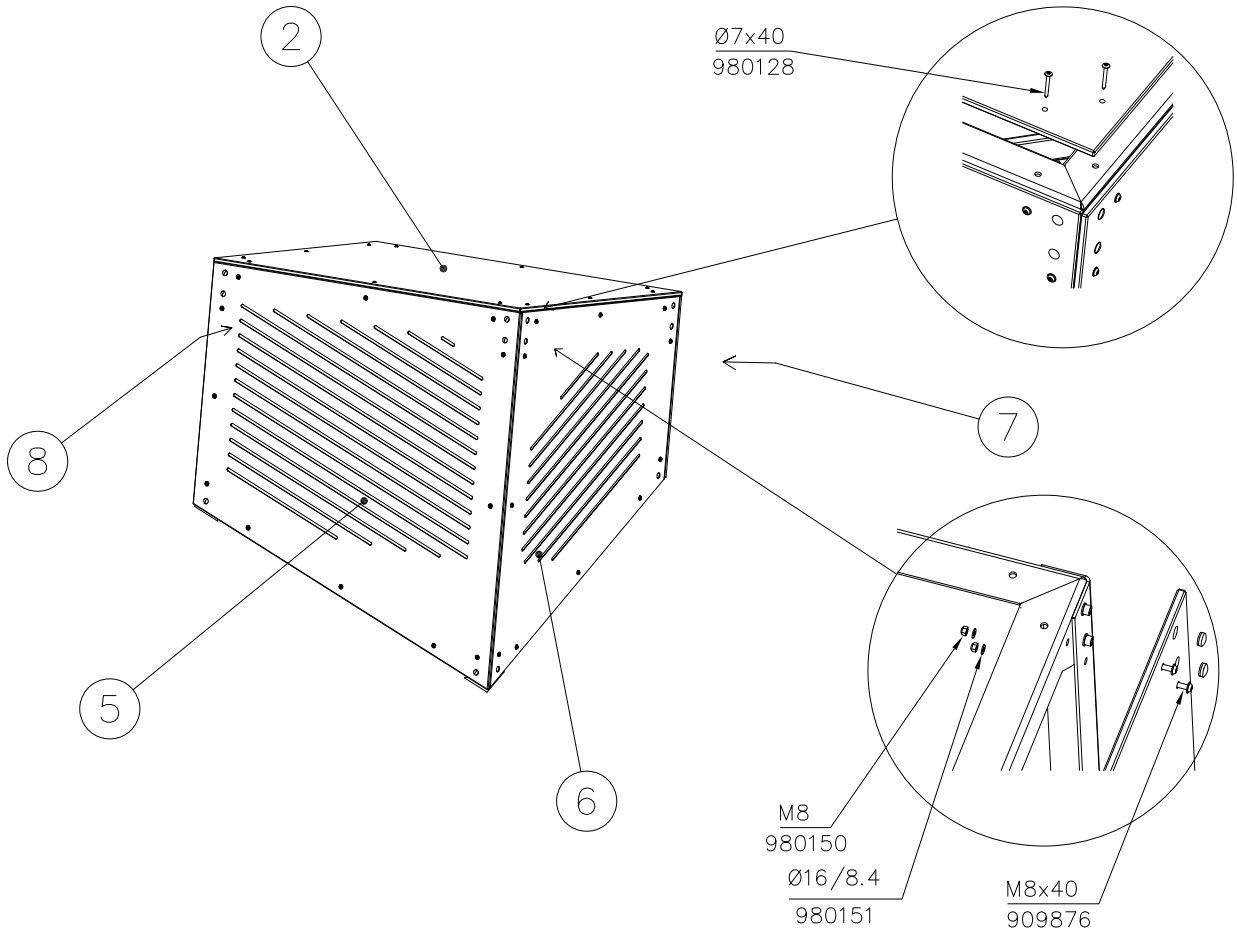
②1	980108	PCS	②2	980128	PCS	②3	980150	PCS	②4	980151	PCS
		4			12			48			48
	Ø4x25			Ø7x40			M8			Ø16/8.4	

FOOT OPTION

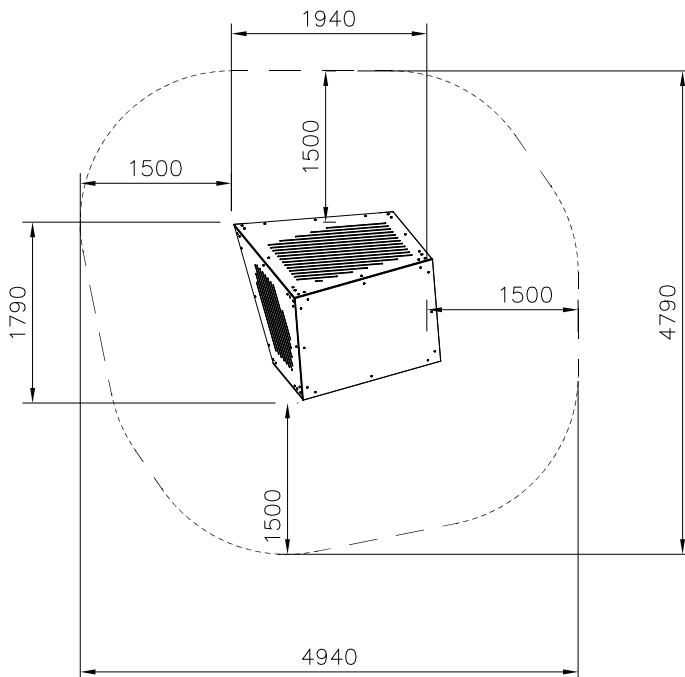
709387+

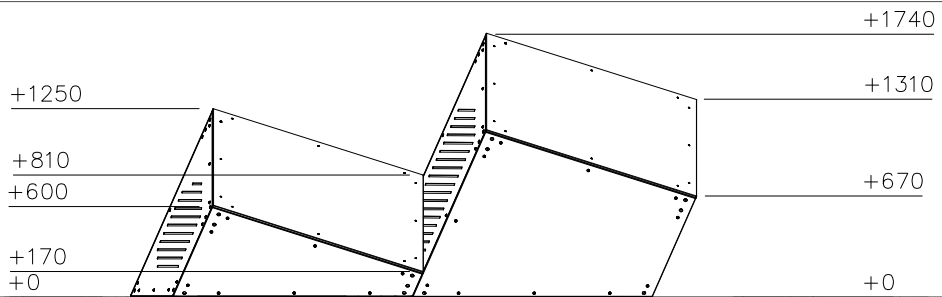
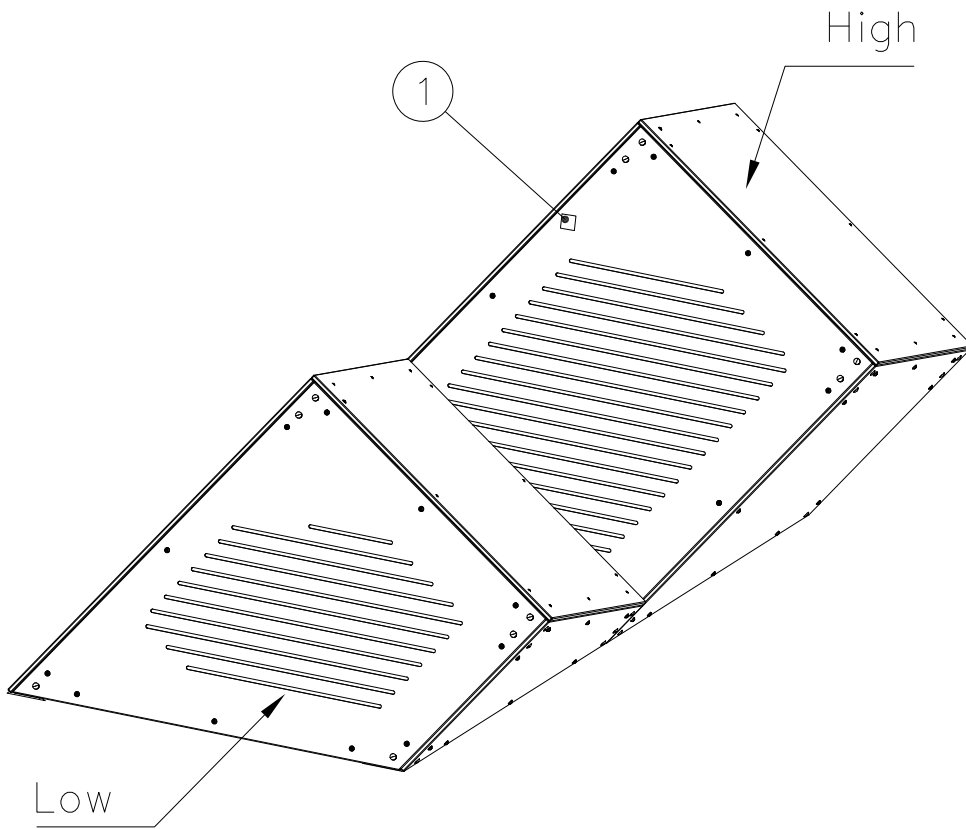
○	709386	PCS	○	910567	PCS
	SURFACE	1		CONCRETE	4
					
	M16x170			117x117x715	







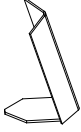
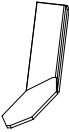



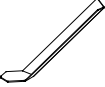




----- Falling Space 19.7 m²
 Max Falling Height 1250 mm







① 702341	PCS	② 712657	PCS
	1		2
90x50		16x1200x1486	
③ 712658	PCS	④ 712659	PCS
	1		1
16x1486x2174		16x1170x2170	
⑤ 712660	PCS	⑥ 712661	PCS
	1		1
16x1376x1486		16x1170x1620	
⑦ 709164	PCS	⑧ 709165	PCS
	4		4
18x80x1135		18x80x1420	
⑨ 712662	PCS	⑩ 712663	PCS
	1		1
16x1486x1545		16x1170x1540	
⑪ 712664	PCS	⑫ 72665	PCS
	1		1
16x1170x1620		16x990x1170	
⑬ 902233	PCS	⑭ 905112	PCS
	48		48
M10x30		Ø22	

⑮ 909637	PCS	⑯ 909638	PCS	⑰ 909876	PCS	⑱ 910744	PCS	⑲ 910768	PCS	⑳ 910769	PCS
	48		96		88		2		4		4
M10		Ø20/10.5		M8x40		154x1160x1445		30x60x1349		30x60x1504	

⑳ 910789	PCS 1	㉑ 910790	PCS 1	㉒ 910791	PCS 1	㉓ 910792	PCS 1	㉔ 910793	PCS 1	㉕ 910794	PCS 1
											
L 1528		L 796		L 1016		L 254		L 2158		L 1425	
㉖ 910795	PCS 1	㉗ 910796	PCS 1	㉘ 980108	PCS 8	㉙ 980128	PCS 29	㉚ 980150	PCS 88	㉛ 980151	PCS 88
											
L 1646		L 884		Ø4x25		Ø7x40		M8		Ø16/8.4	

709387+

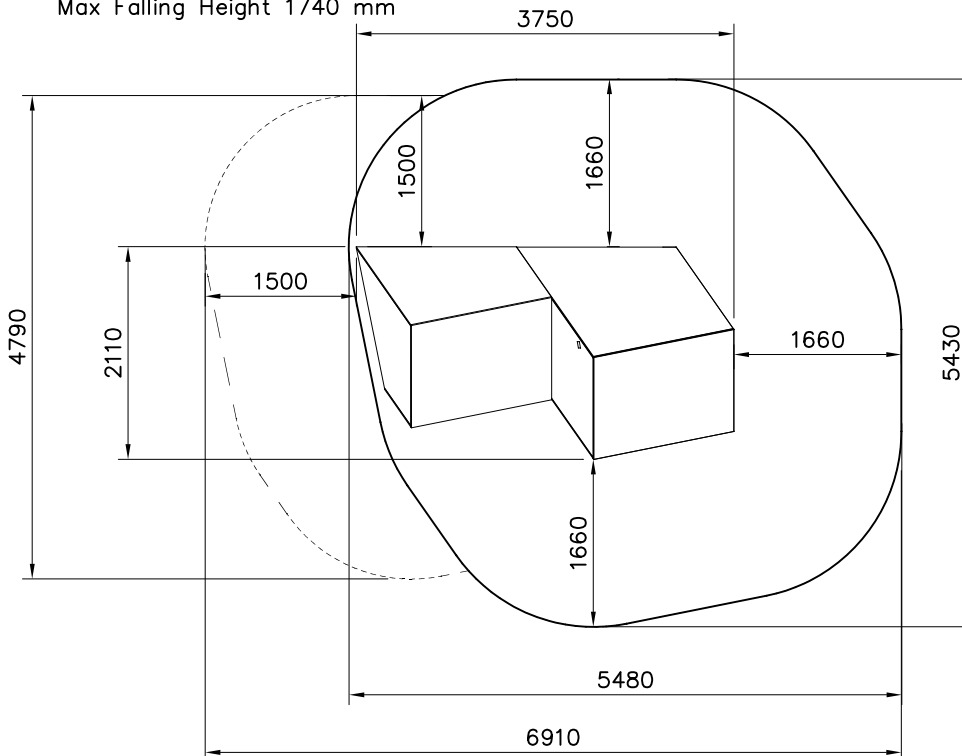
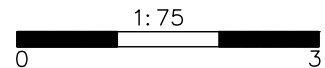
○ 709386	PCS 2	○ 910567	PCS 8
SURFACE		CONCRETE	
			
M16x170		117x117x715	

FOOT OPTION

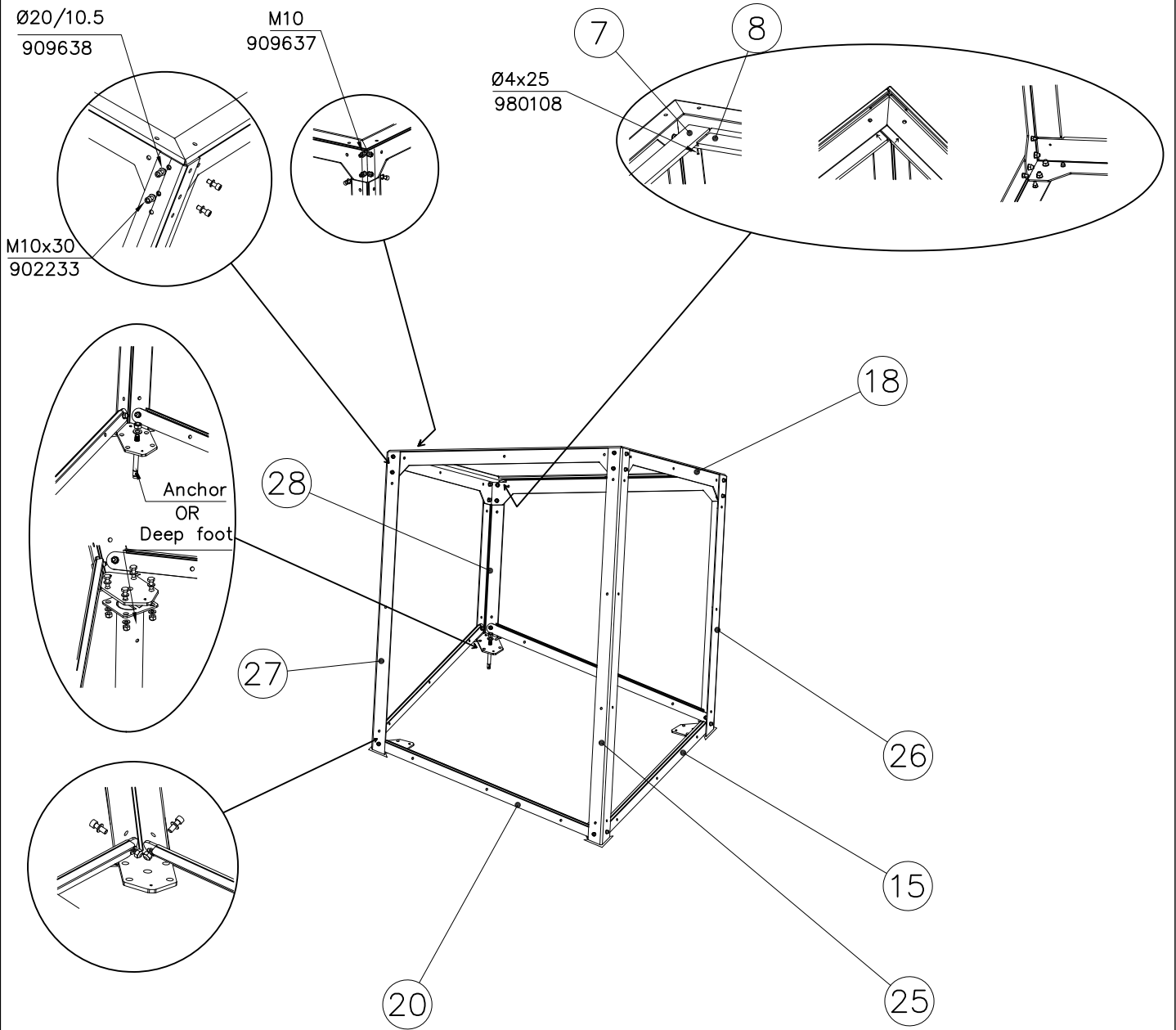
—— EN Impact Attenuating Surface (IAS) 24.4 m²

----- Falling Space 31 m²

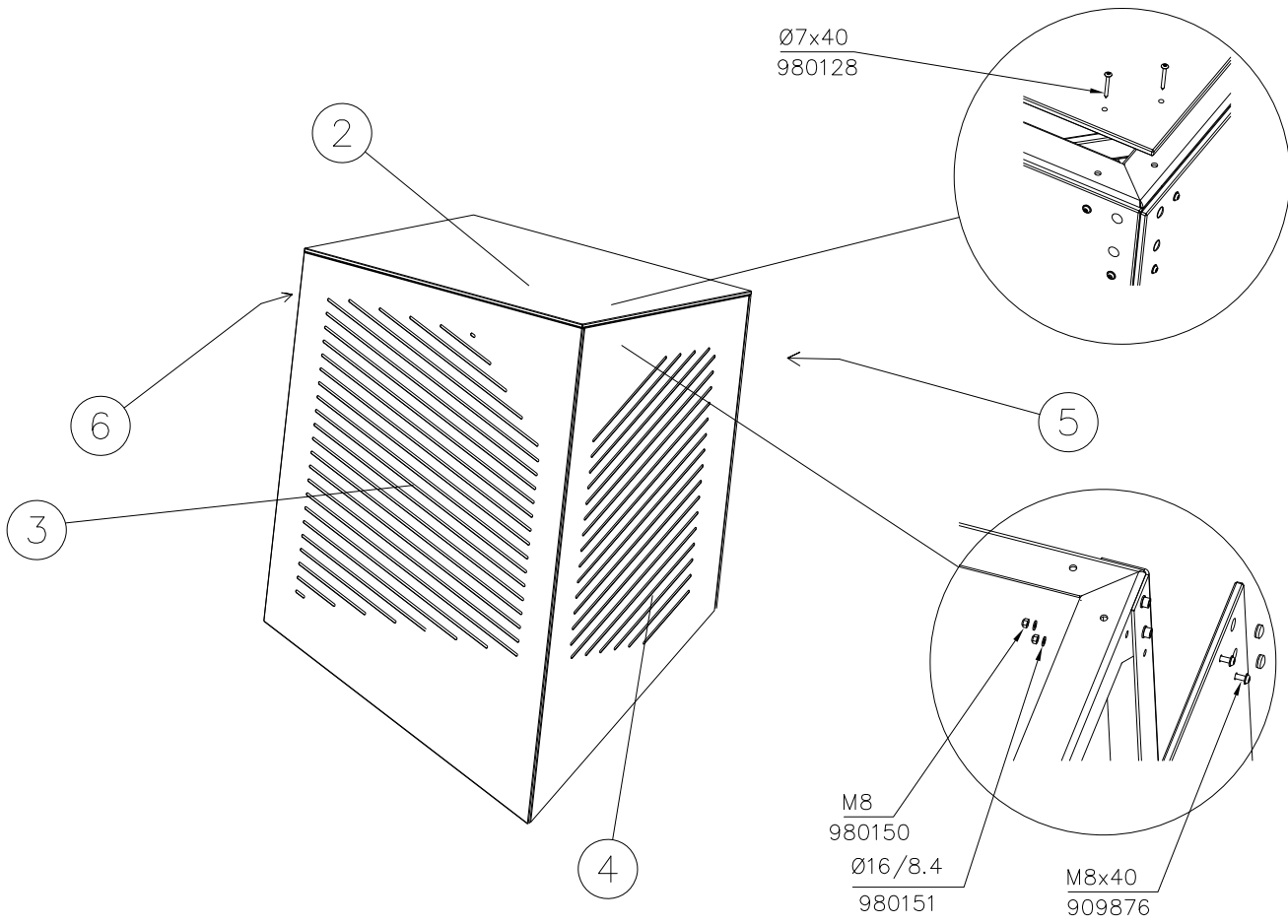
Max Falling Height 1740 mm



HIGH

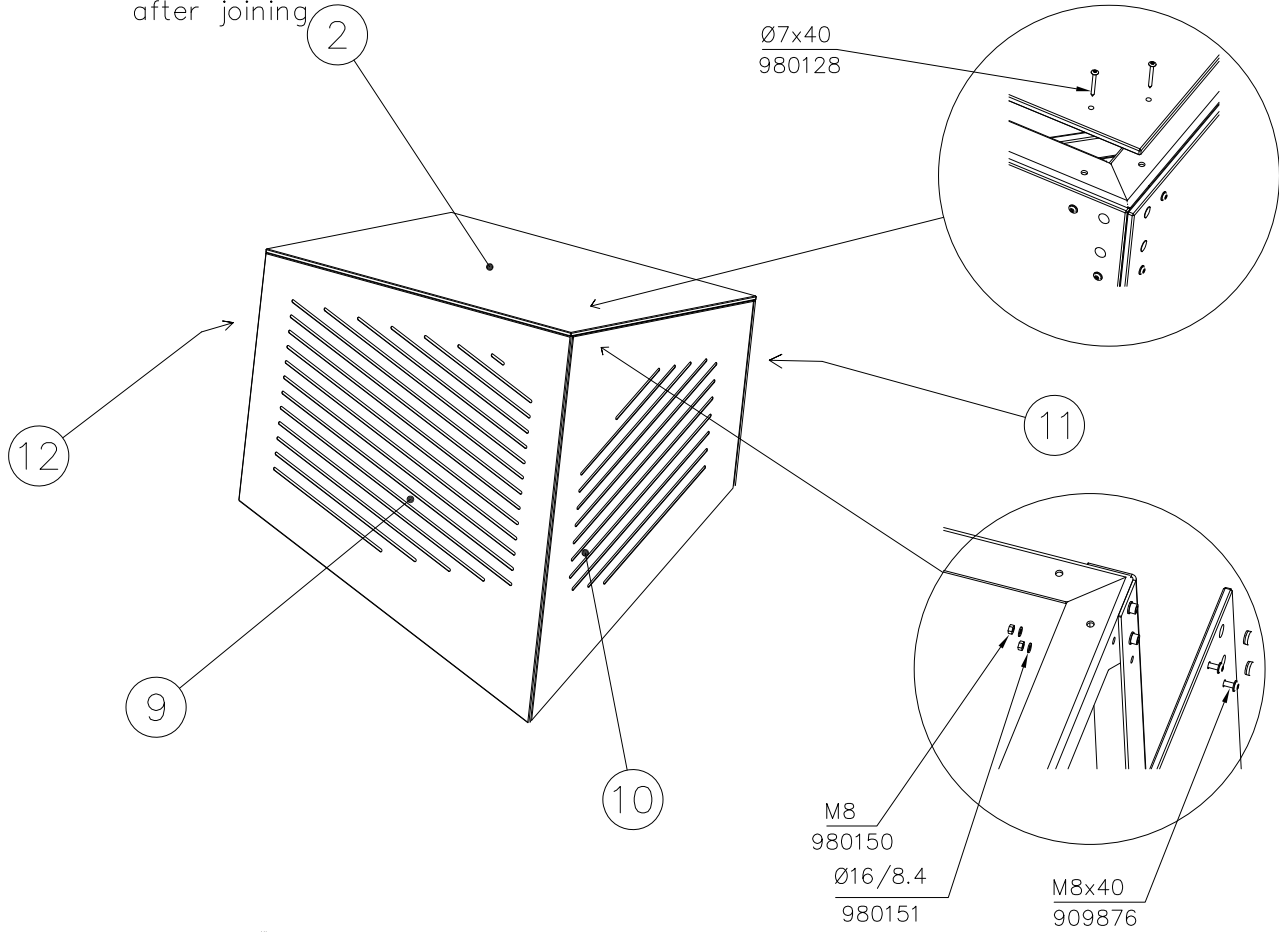


HIGH

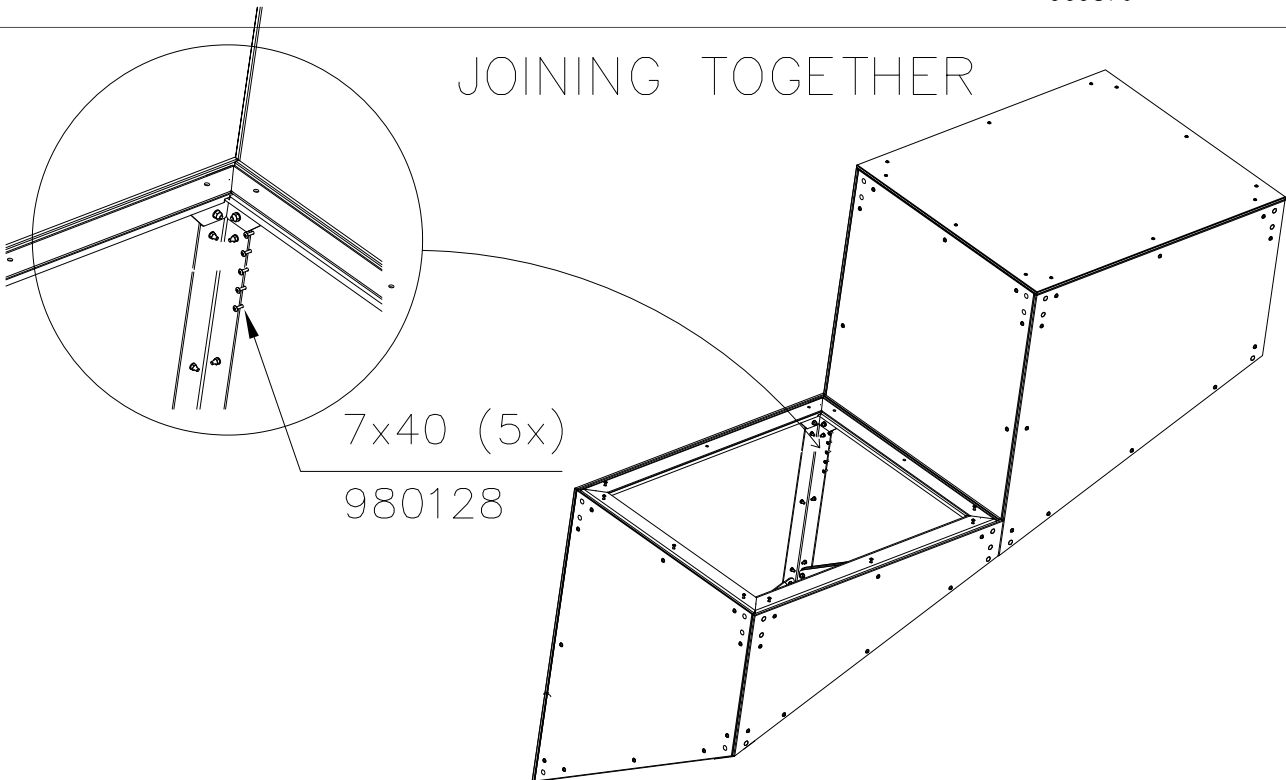


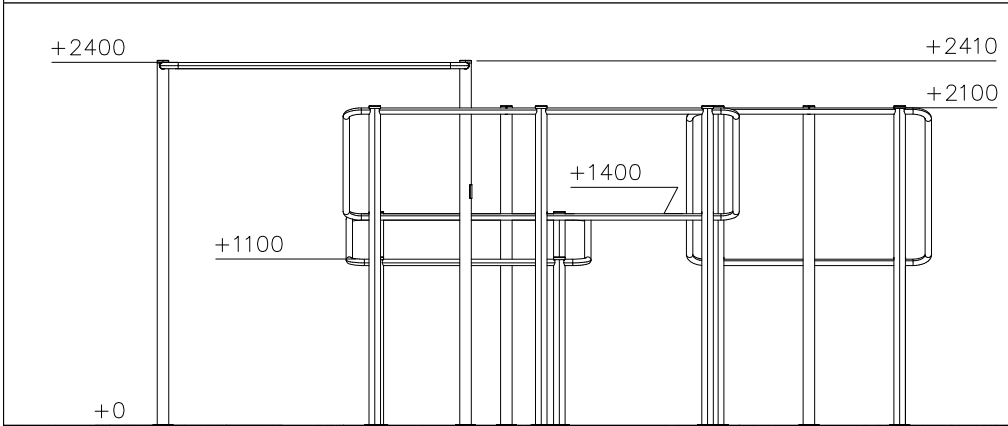
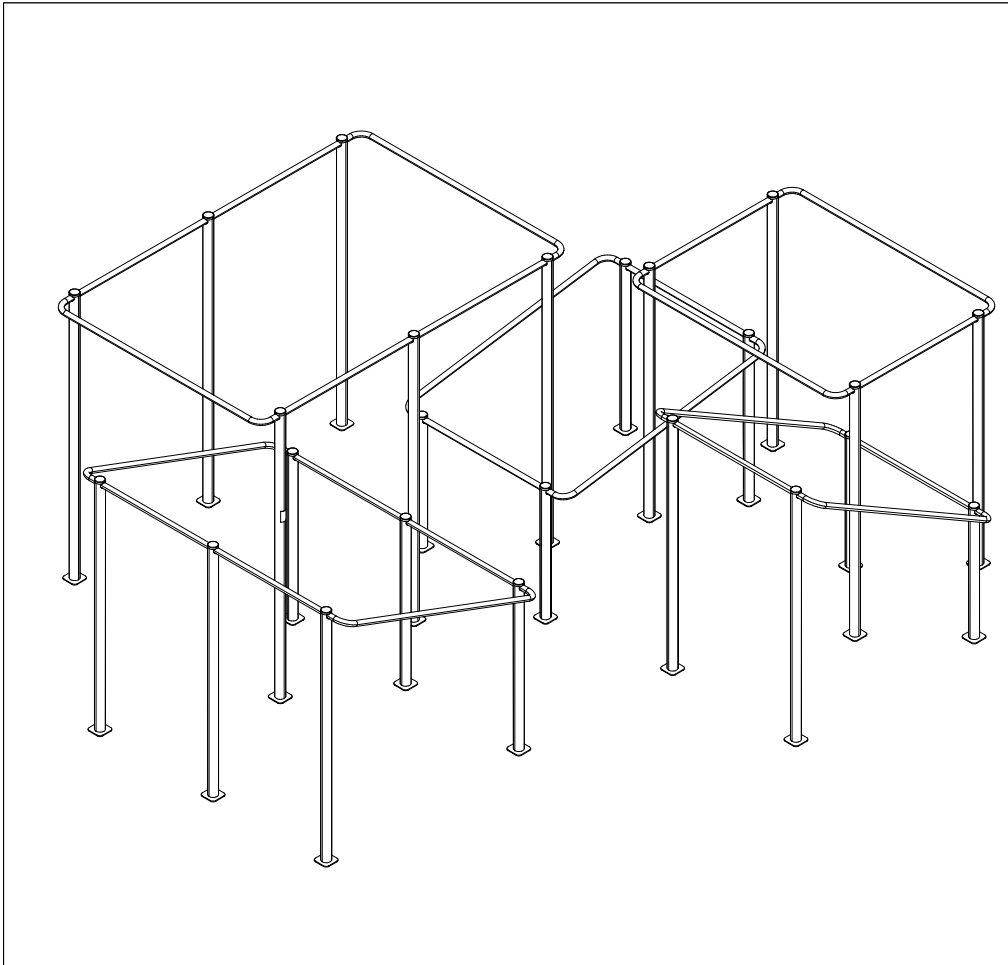
LOW

Install this plate last
after joining



JOINING TOGETHER





INSTALLING FOR SURFACE MOUNTING

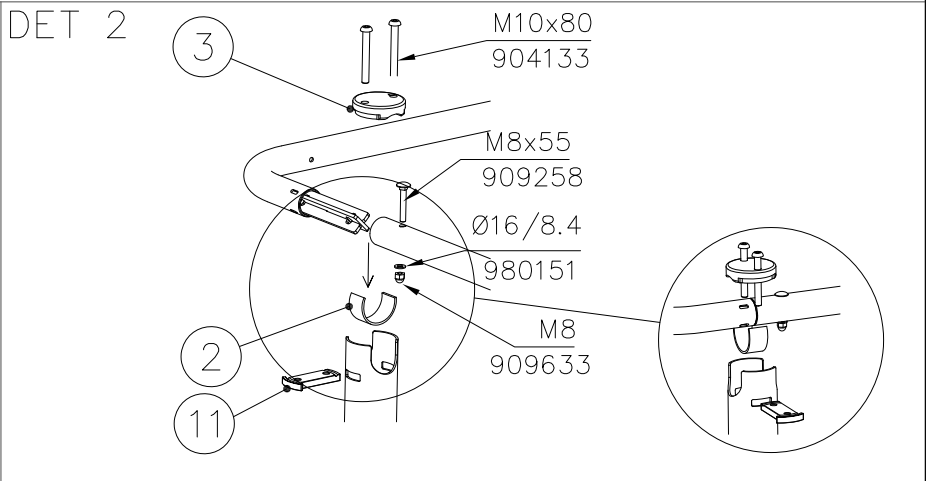
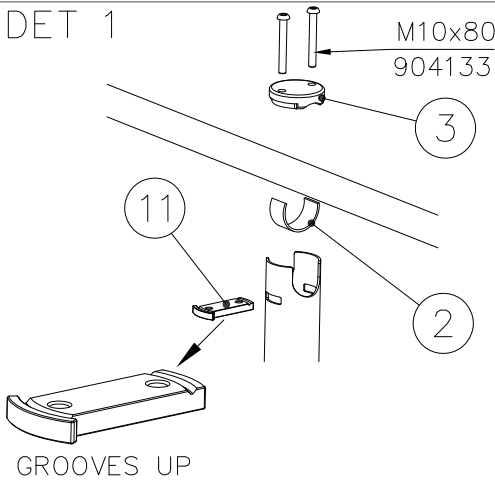
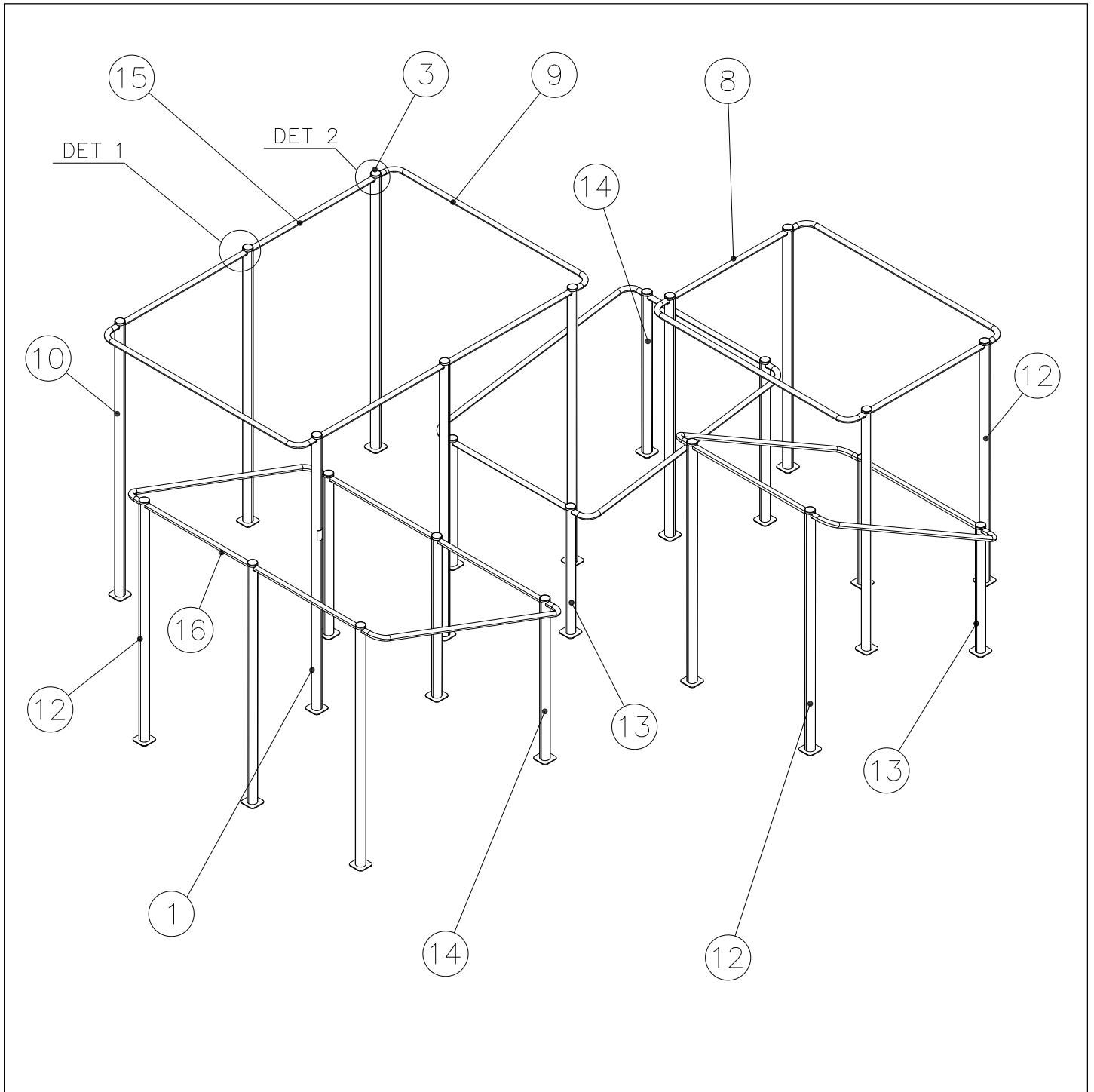
FOOT OPTION FOR DEEP MOUNTING

709397+

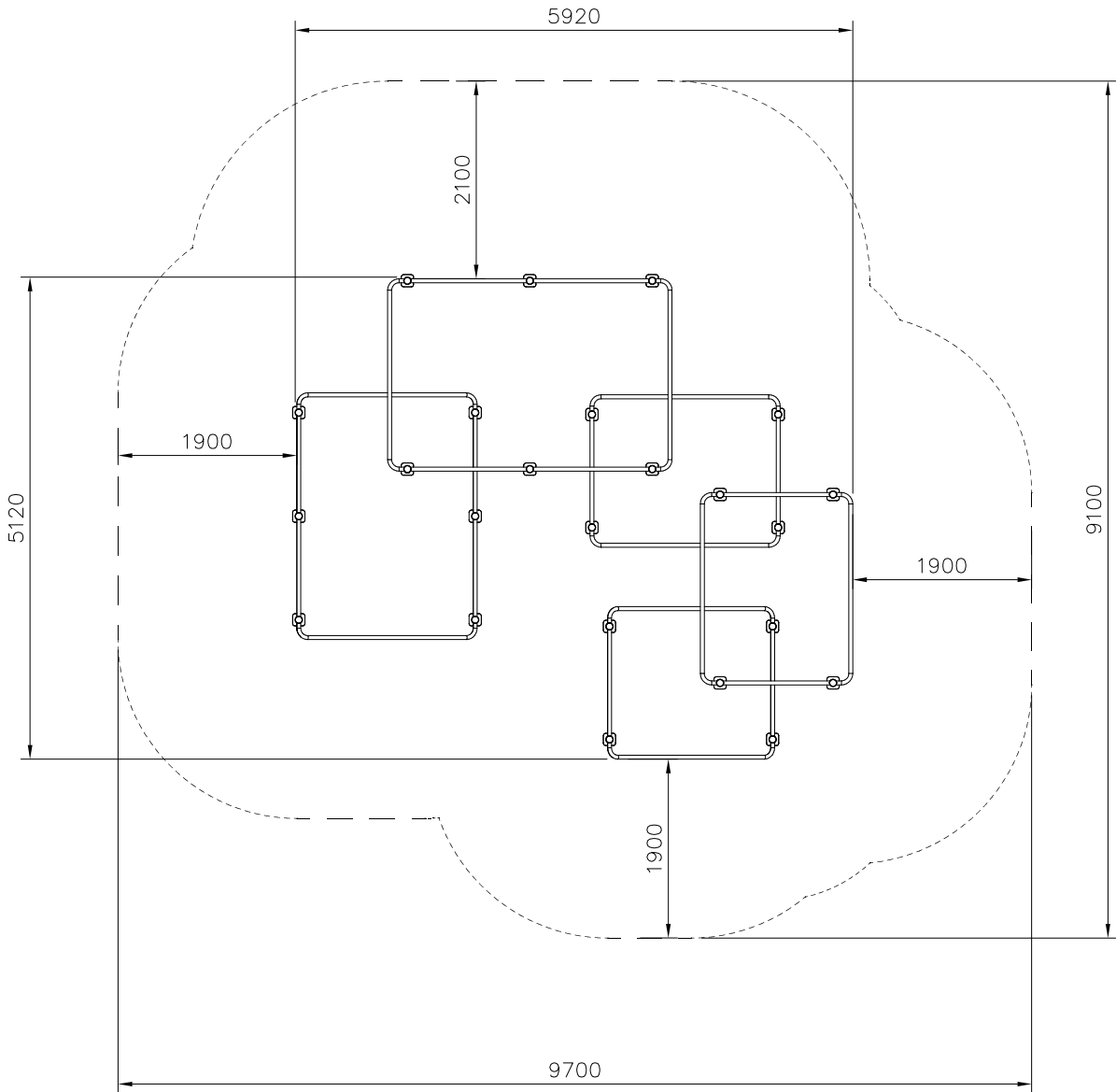
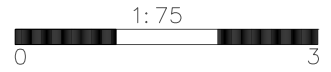
○ 709396	PCS	24

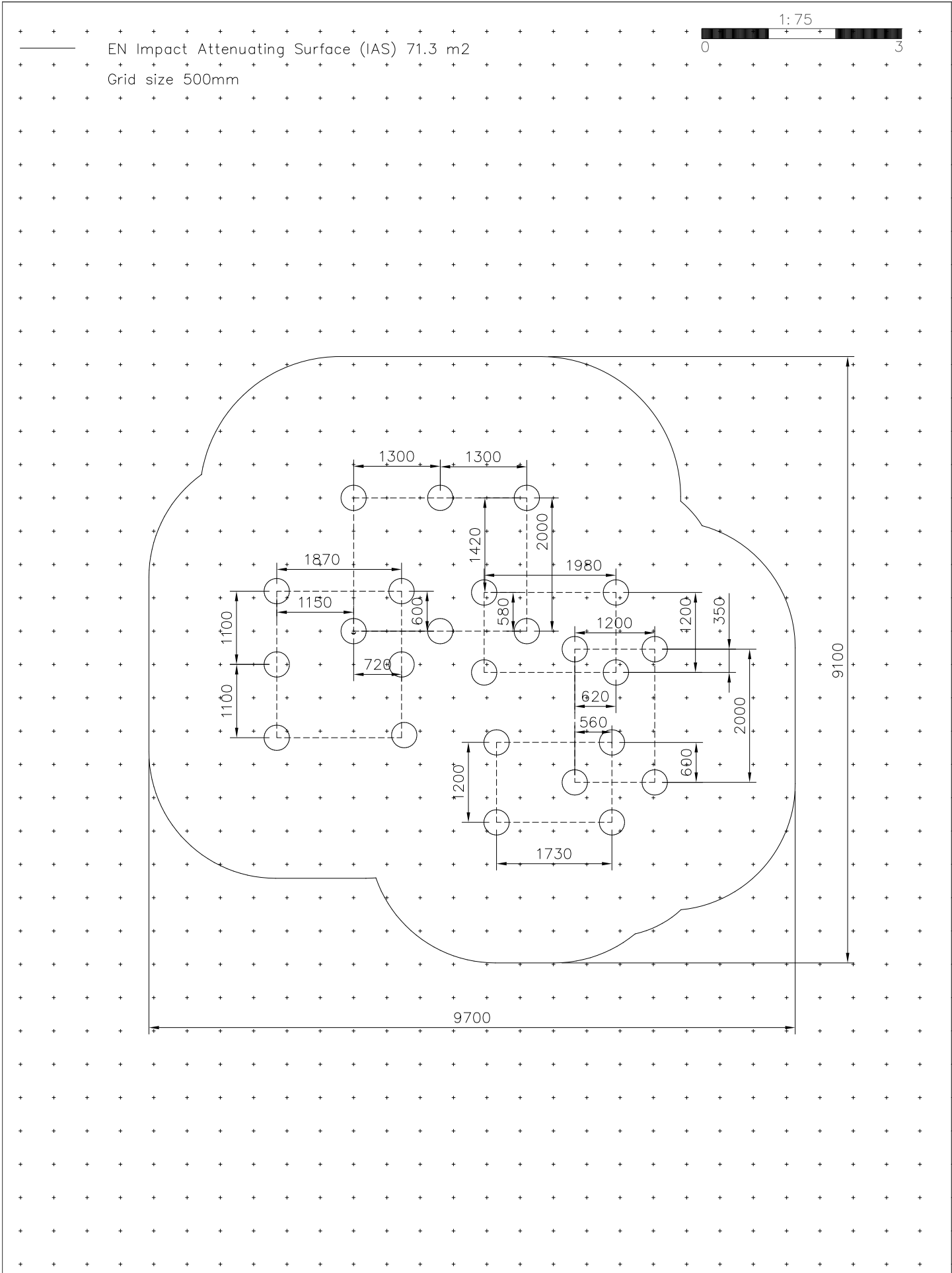
○ 910562	PCS	24
L 600		

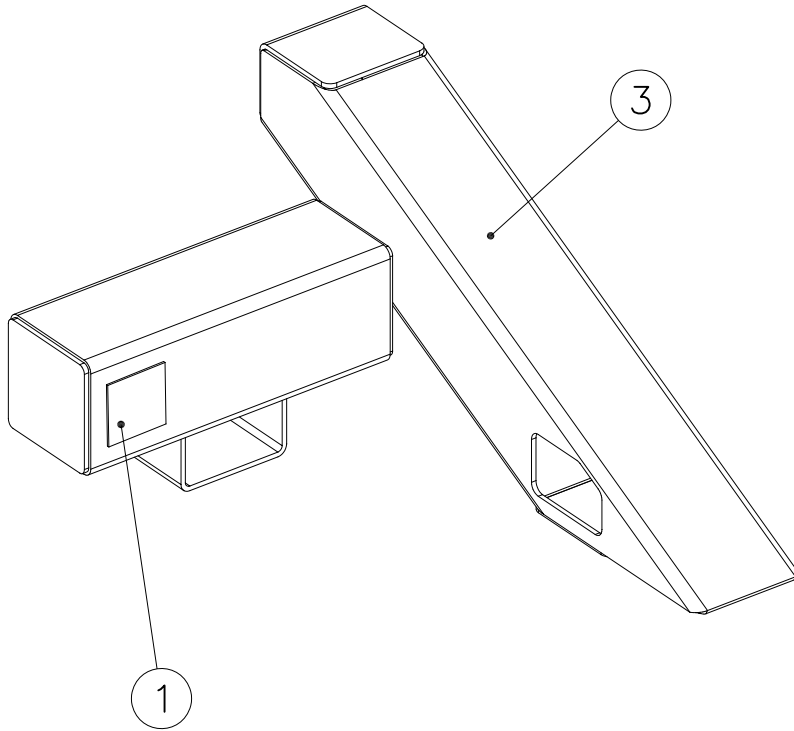
① 702341	PCS	1	② 704879	PCS	24
90x50			3x30x120mm		
③ 708880	PCS	24	④ 980151	PCS	20
Ø77x20			Ø16/8.4		
⑤ 904133	PCS	48	⑥ 909258	PCS	20
M10x80			M8x55		
⑦ 909633	PCS	20	⑧ 910547	PCS	6
M8			Ø42.4x1200		
⑨ 910549	PCS	10	⑩ 910556	PCS	6
Ø42.4x286x2042			L 2400		
⑪ 910557	PCS	24	⑫ 910563	PCS	9
10x45x87			L 2100		
⑬ 910564	PCS	4	⑭ 910565	PCS	5
L 1100			L 1400		
⑮ 910704	PCS	2	⑯ 910548	PCS	2
Ø42.4x2600			Ø42.4x2200		

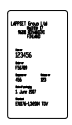



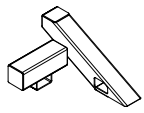
- EN Impact Attenuating Surface (IAS) 71.3 m²
- - - - Falling Space 71.3 m²
- Max Falling Height 2410 mm






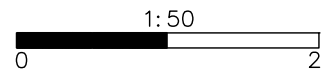


① 702341	PCS	② 709381	PCS
	1		2
90x50		SURFACE	

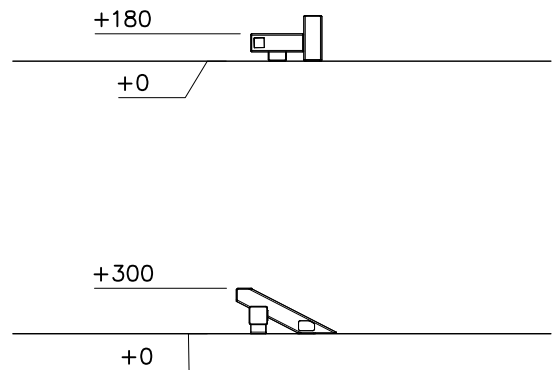
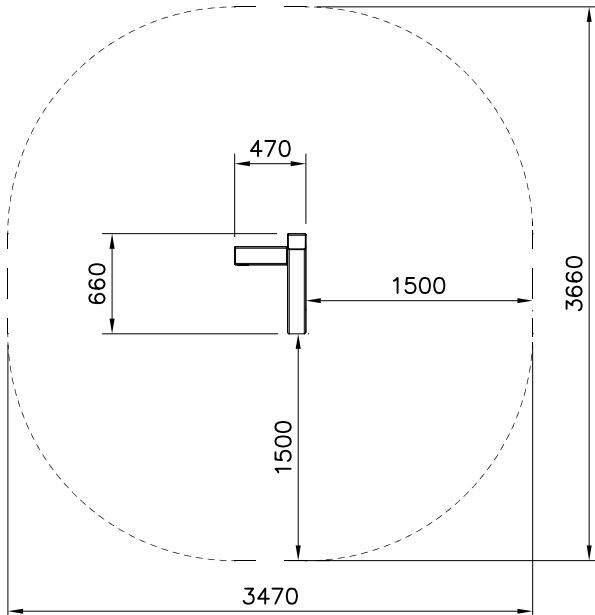
③ 910220	PCS
	1
300x470x662	

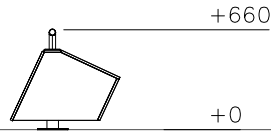
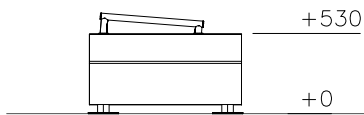
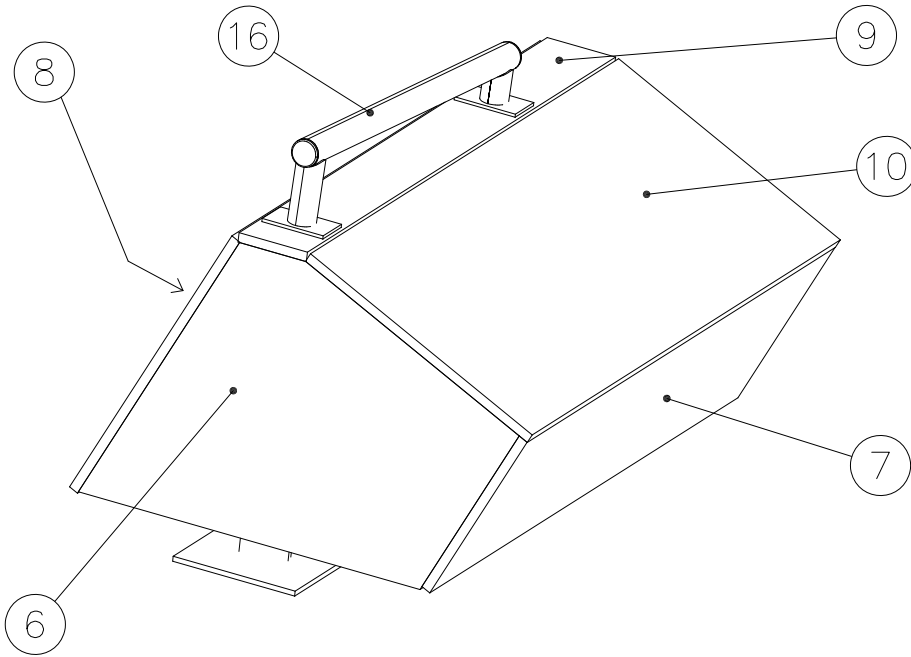
FOOT OPTION FOR DEEP MOUNTING

709379+	
○ 902564	PCS
	2
L 550	

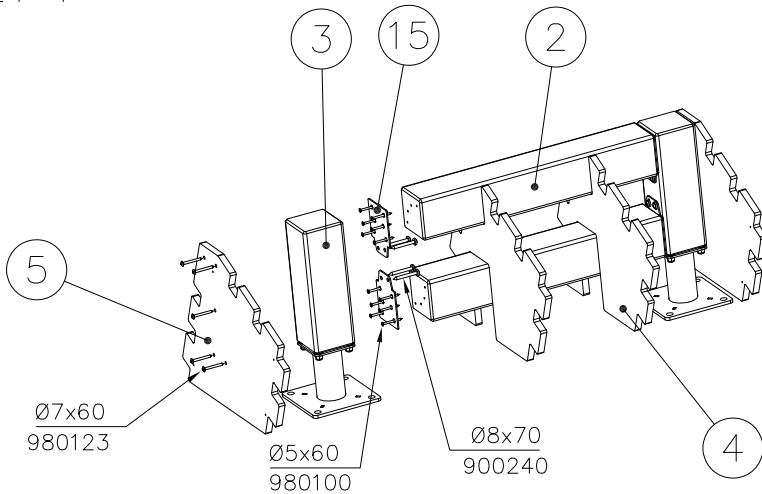


----- Falling Space 10.8 m²
 Max Falling Height 300 mm

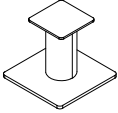
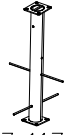


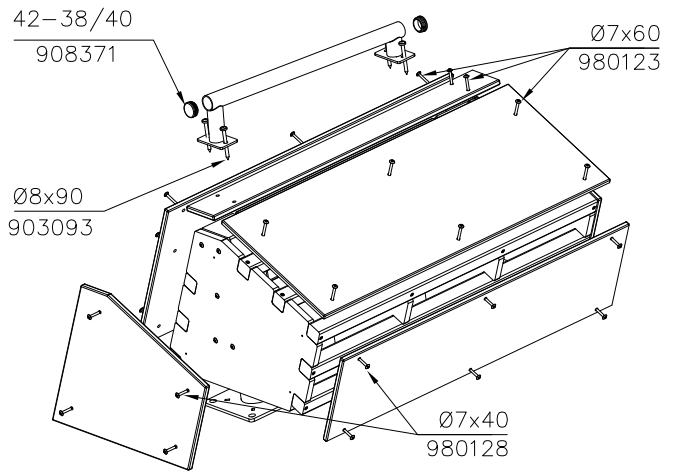
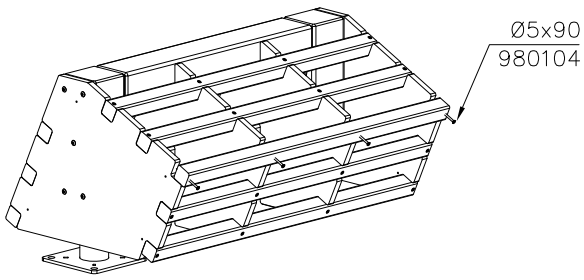
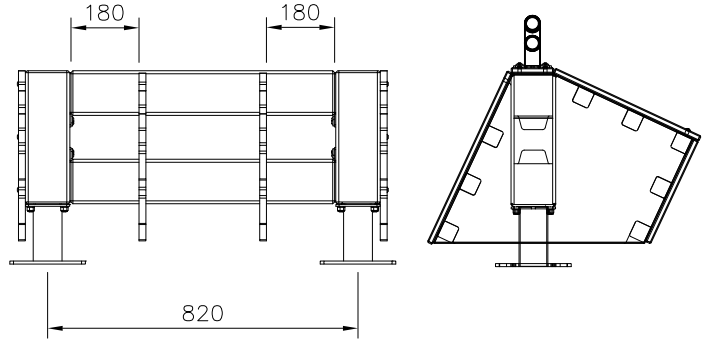


DET 1

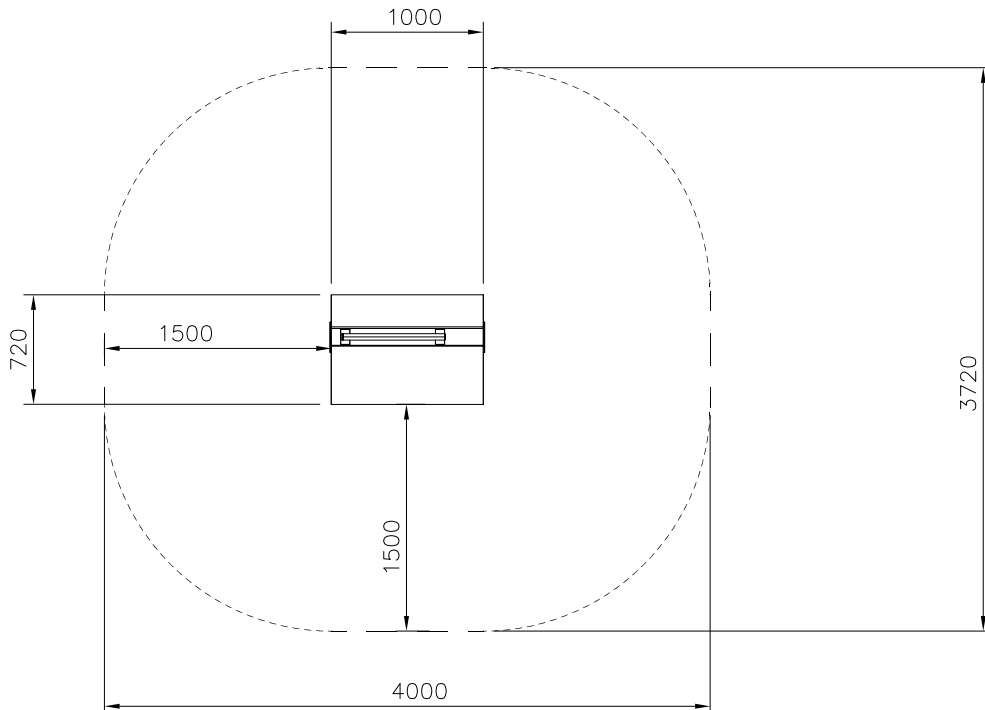


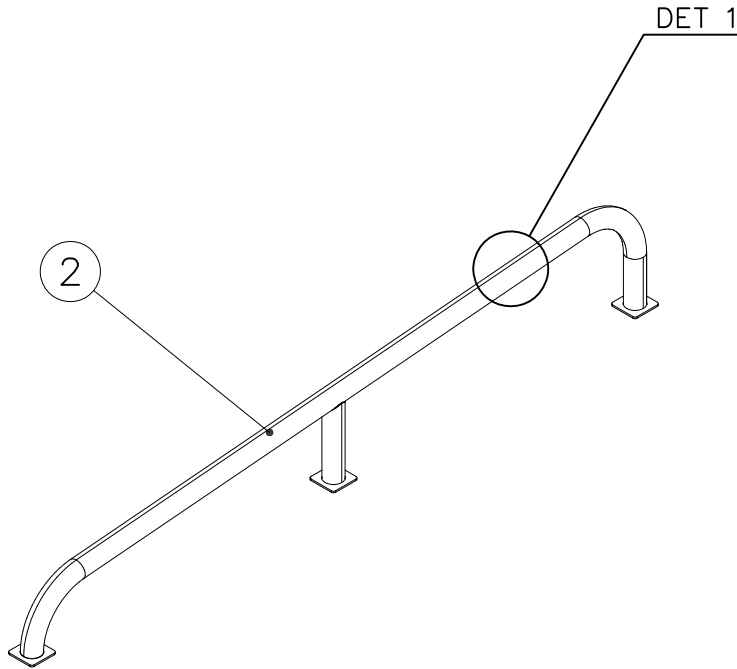
① 702341	PCS	② 708109	PCS
	1		2
90x50		118x118x697	
③ 708443	PCS	④ 708848	PCS
	2		2
118x118x352		18x450x690	
⑤ 708849	PCS	⑥ 712969	PCS
	2		2
18x450x690		16x450x690	
⑦ 712670	PCS	⑧ 712671	PCS
	1		1
16x300x1005		16x500x1005	
⑨ 712669	PCS	⑩ 712672	PCS
	1		1
16x112x1005		16x425x1005	
⑪ 708855	PCS	⑫ 900240	PCS
	8		8
45x45x975		Ø8x70	
⑬ 903093	PCS	⑭ 908371	PCS
	4		2
Ø8x90		42-38/40	
⑮ 908698	PCS	⑯ 910056	PCS
	4		1
3x114x108		140x690	
⑰ 980100	PCS	⑱ 980104	PCS
	24		32
Ø5x60		Ø5x90	
⑲ 980123	PCS	⑳ 980128	PCS
	27		14
Ø7x60		Ø7x40	


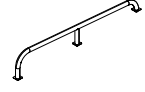
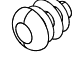
709261+		709262+	
○ 910330	PCS	○ 910567	PCS
SURFACE	2	CONCRETE	2
			
152x200x200		117x117x715	



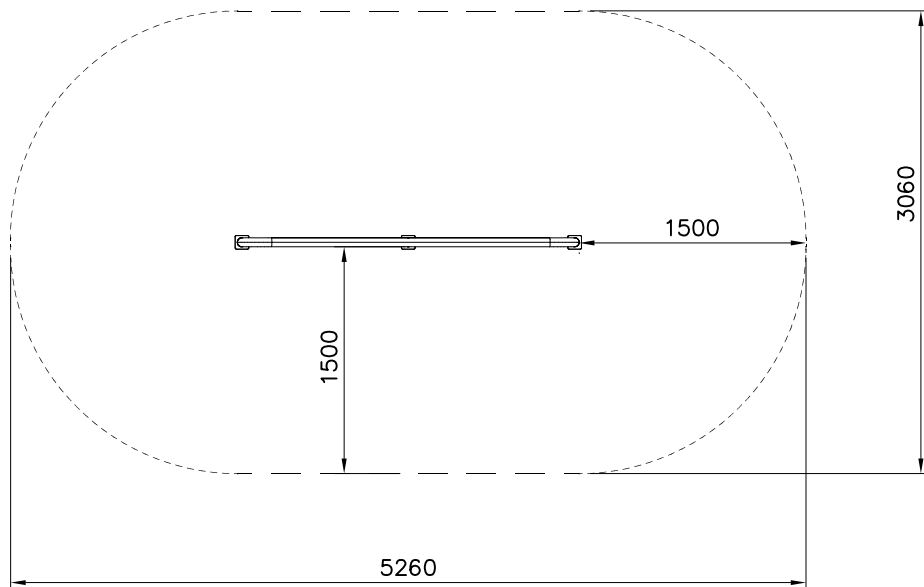
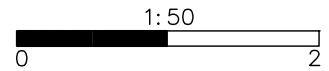
----- Falling Space 13 m²
 Max Falling Height 660 mm

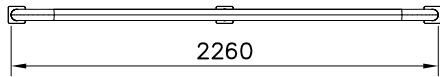
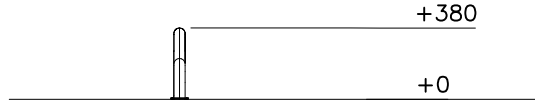
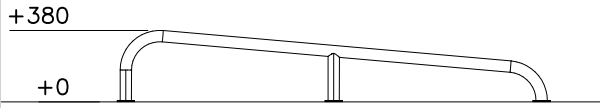




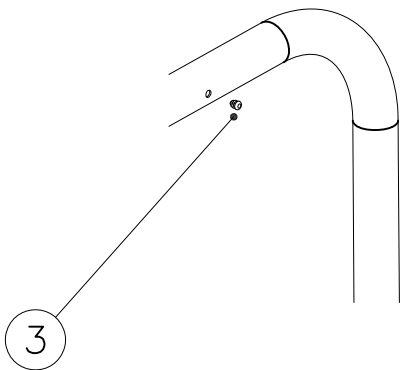
① 702341  90x50	PCS	② 910253  Ø60x376x2290	PCS
	1		1
③ 903533  SRL12	PCS		PCS
	4		

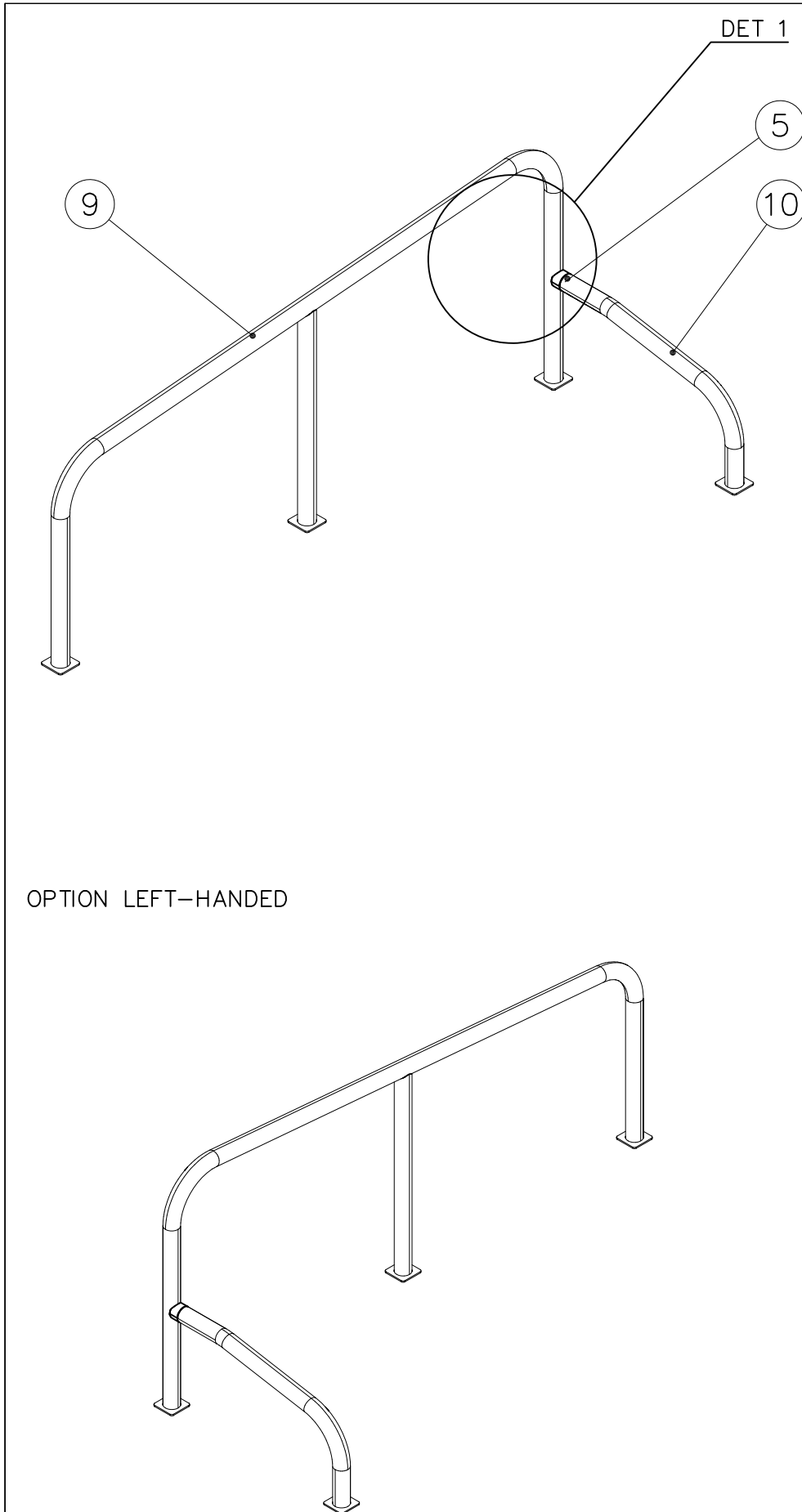
----- Falling Space 14.2 m²
 Max Falling Height 380 mm

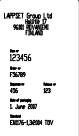


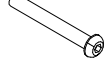
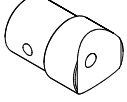
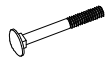


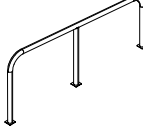
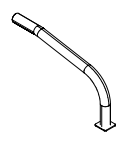





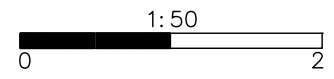
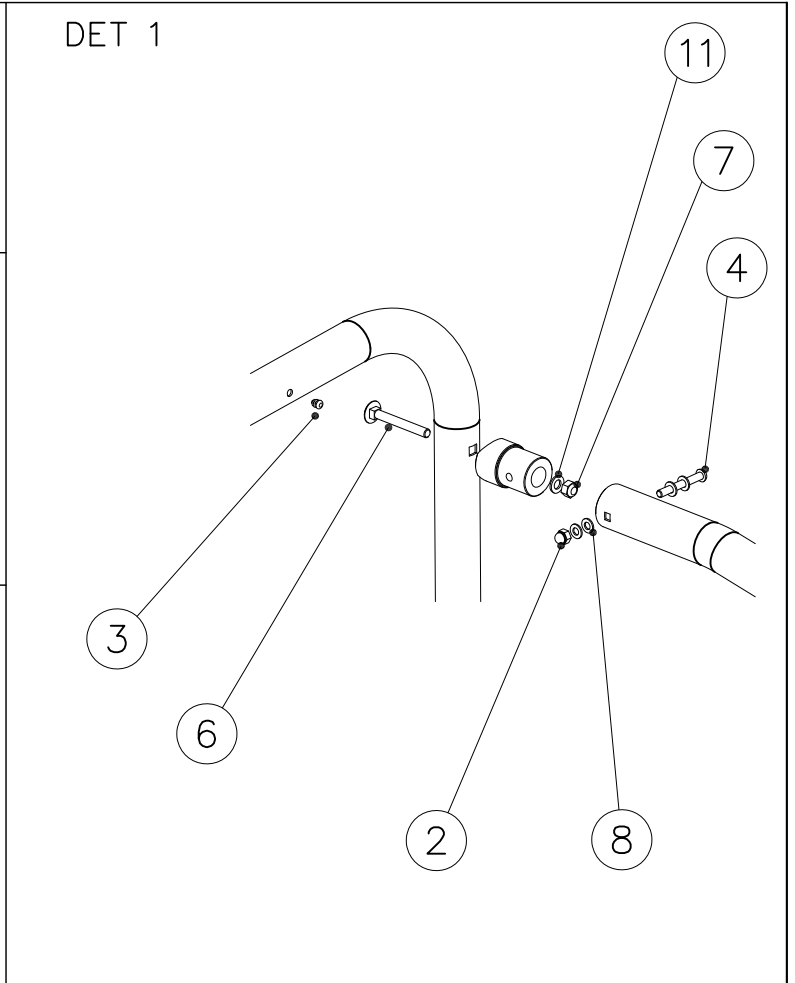
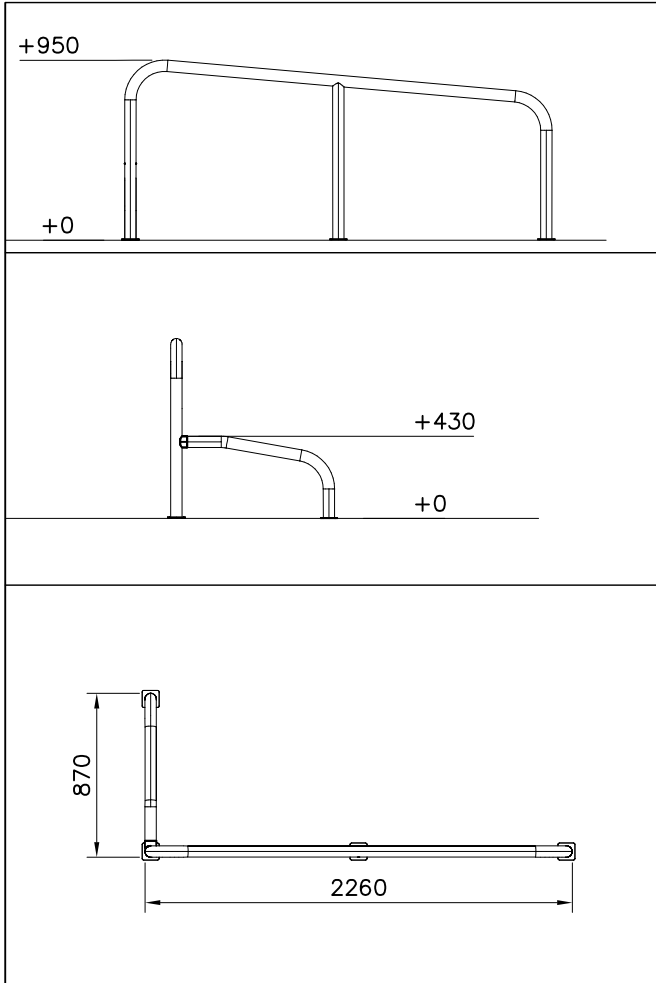
DET 1



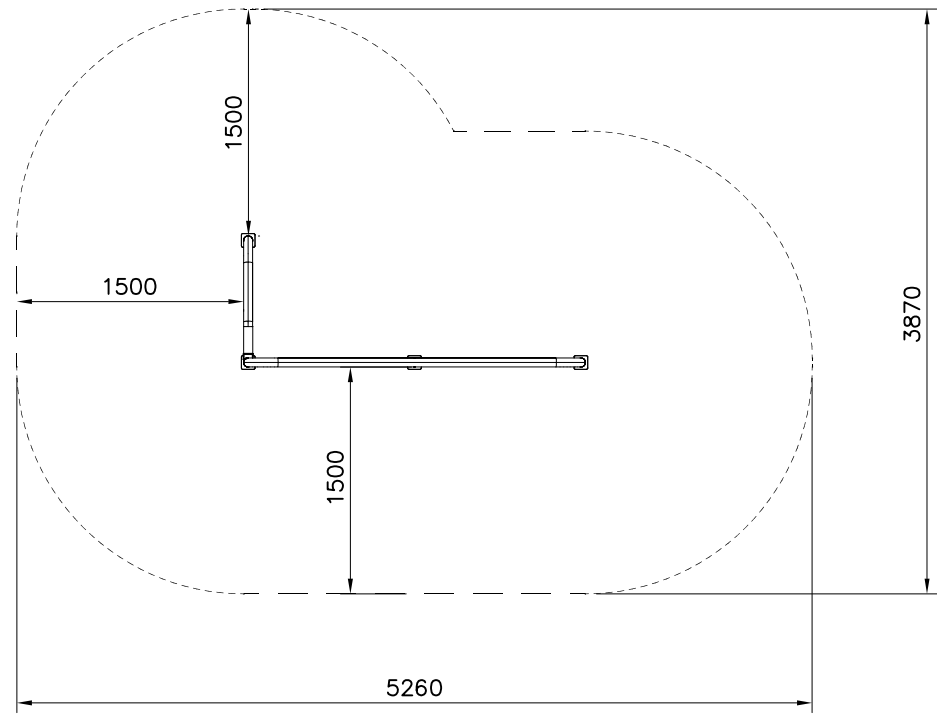


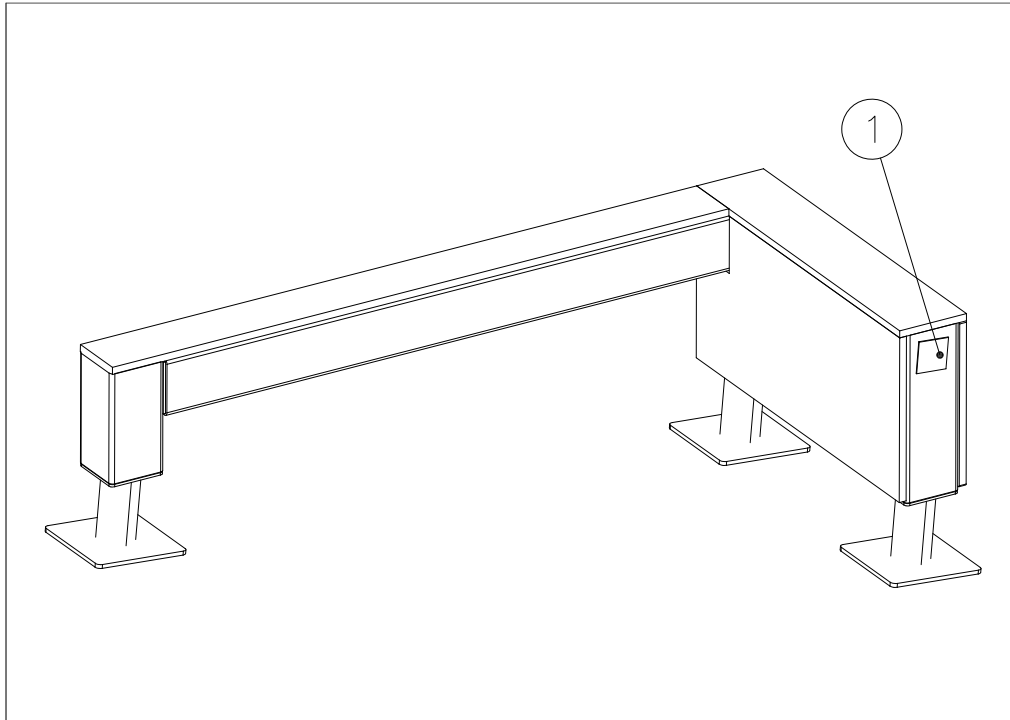
①	702341	PCS	②	900965	PCS
		1			1
	90x50		M10		
③	903533	PCS	④	904133	PCS
		4			1
	SRL12		M10x80		
⑤	908069	PCS	⑥	909111	PCS
		1			1
	Ø60x87.6		M12x100		
⑦	909248	PCS	⑧	909638	PCS
		1			4
	M12		Ø20/10.5		
⑨	910255	PCS	⑩	910262	PCS
		1			1
	Ø60x950x2290		Ø60x435x795		
⑪	980154	PCS			PCS
		1			
	Ø24/13				

OPTION LEFT-HANDED

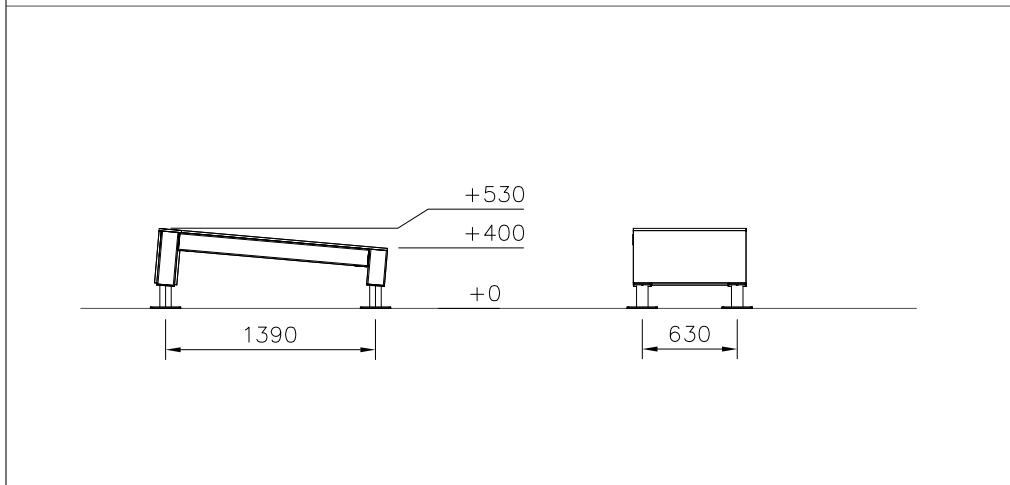


----- Falling Space 16.2 m2
 Max Falling Height 950 mm



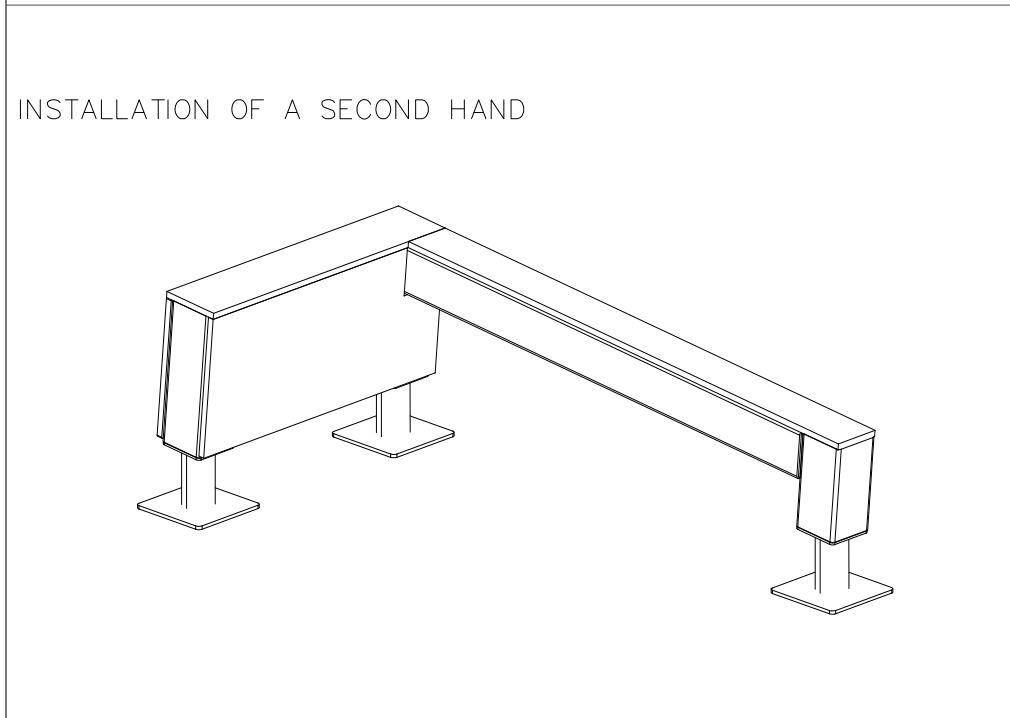


① 702286 65x65	PCS 1	② 707210 118x118x503	PCS 2
③ 707212 118x118x1254	PCS 1	④ 708347 118x118x231	PCS 1
⑤ 708443 118x118x352	PCS 2	⑥ 712621 16x346x745	PCS 1






⑦ 712622 16x346x745	PCS 1	⑧ 712625 16x148x745	PCS 1
⑨ 712626 16x118x1365	PCS 1	⑩ 708857 JIG 20x133x149	PCS 1

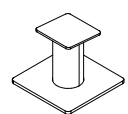
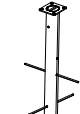
INSTALLATION OF A SECOND HAND



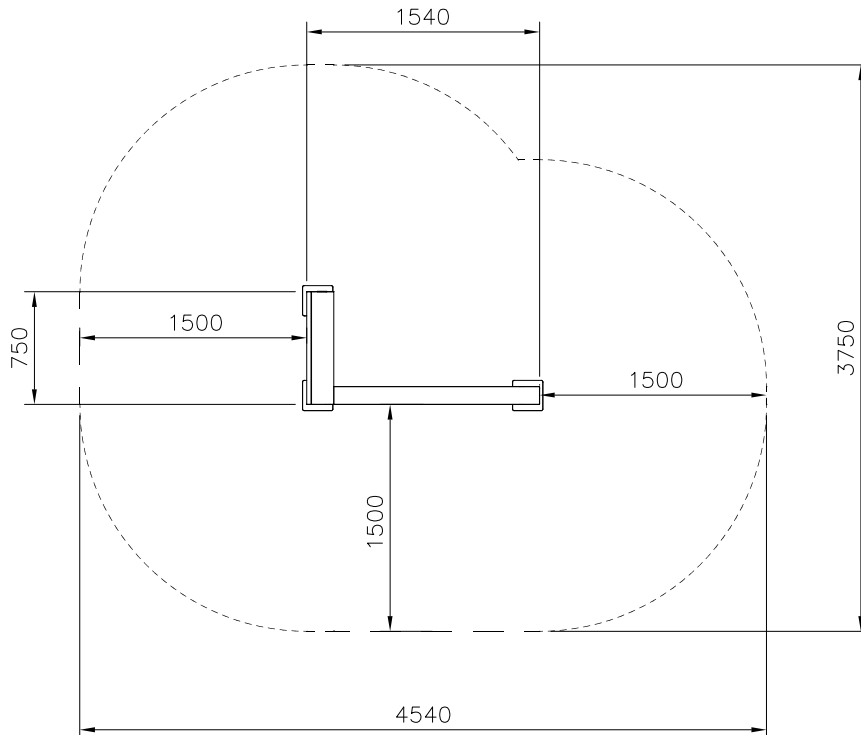
⑪ 910266 90x108x118	PCS 2	⑫ 900240 Ø8x70	PCS 16
⑬ 903093 Ø8x90	PCS 4	⑭ 905103 PT-28/32-H	PCS 2
⑮ 905112 Ø22	PCS 4	⑯ 908698 3x114x108	PCS 4

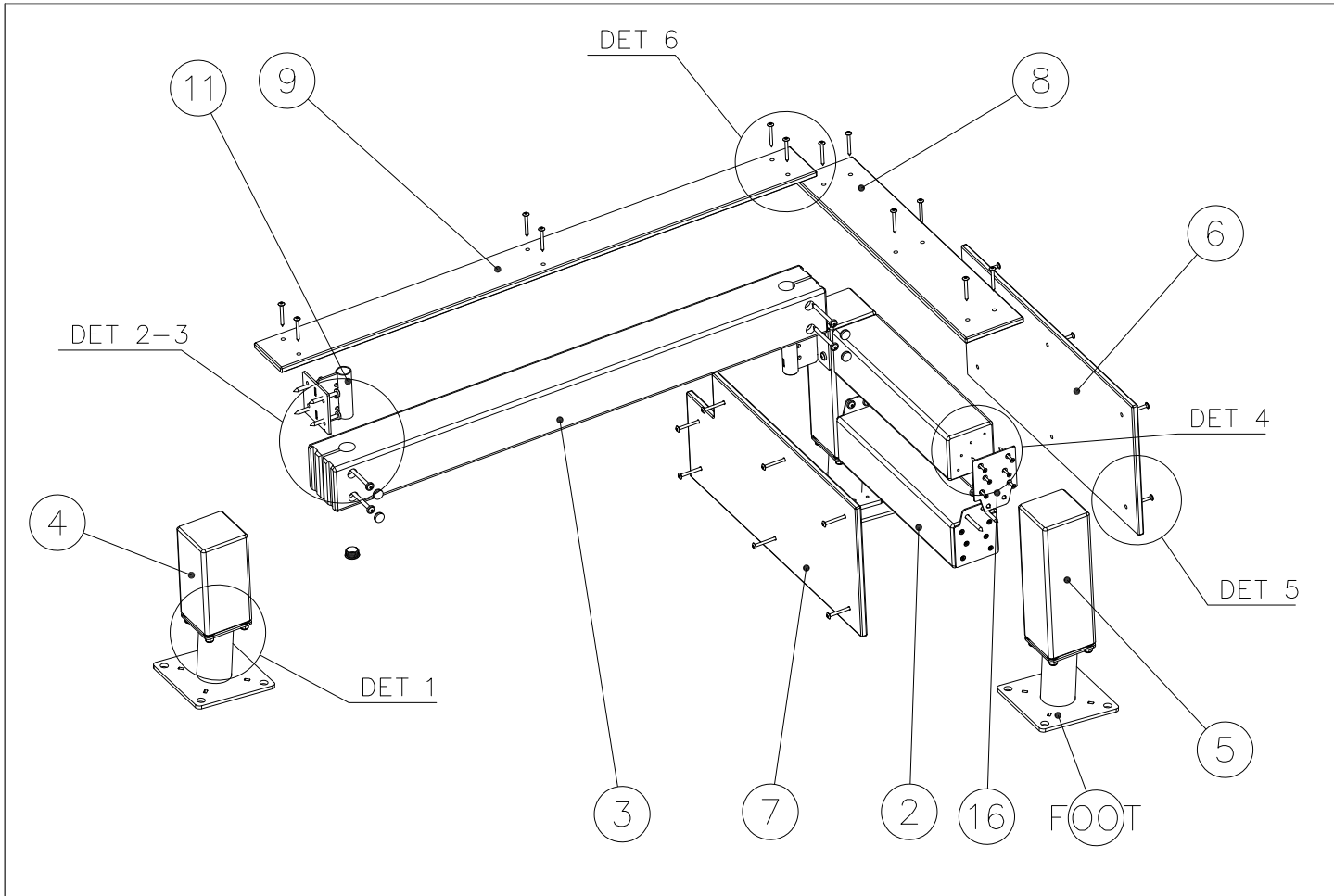
17	980100	PCS	18	980114	PCS	19	980123	PCS
		28			4			25
								
Ø5x60			Ø4x20			Ø7x60		

FOOT OPTIONS

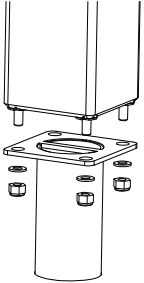
709261+		709262+	
910267	PCS	910567	PCS
SURFACE	3	CONCRETE	3
			
152x200x200		117x117x715	

----- Falling Space 13.8 m²
Max Falling Height 530 mm

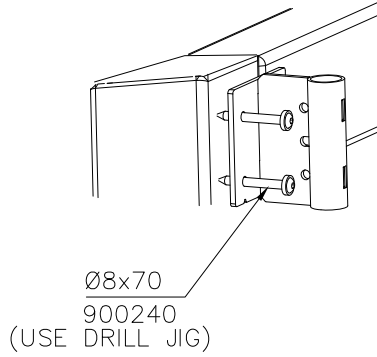




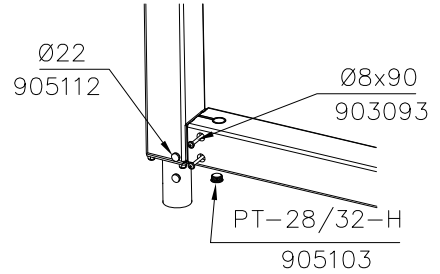
DET 1



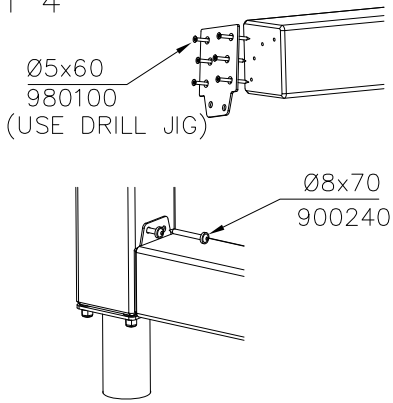
DET 2



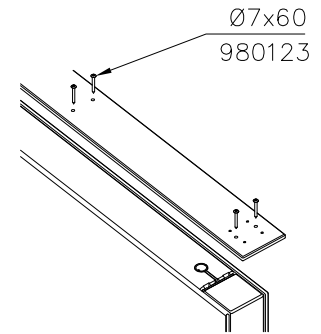
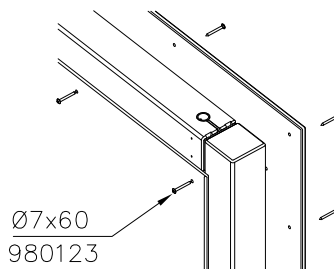
DET 3



DET 4

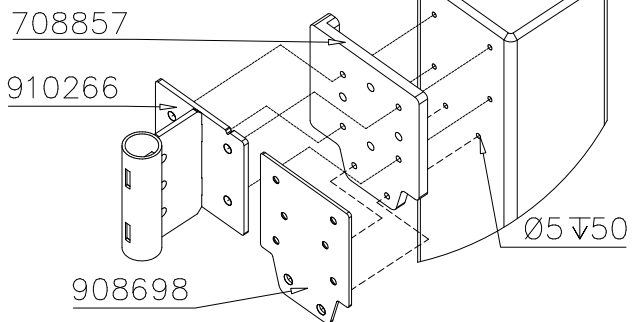


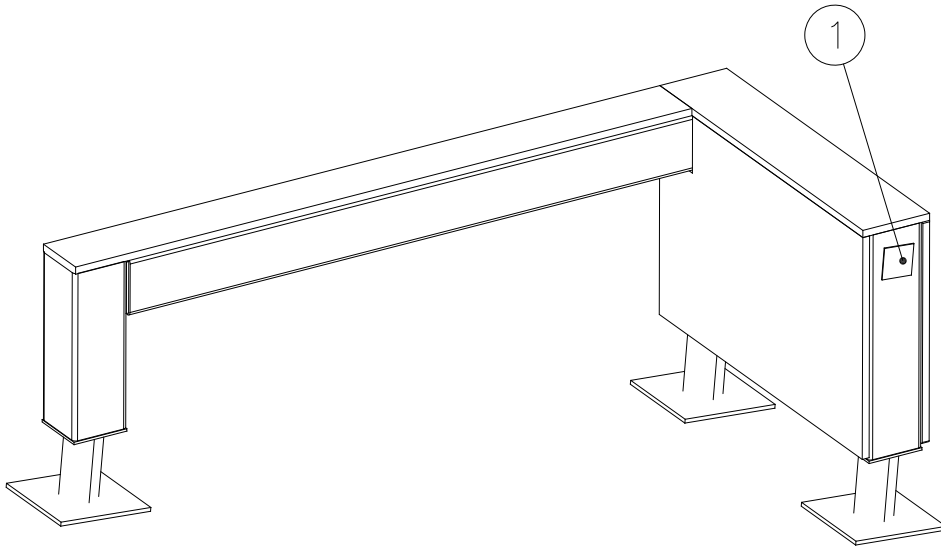
DET 5


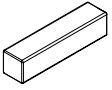



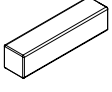
JIG DET A (USE DET 2-4)


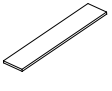
NOTE:
Use drill jig 708857
to predrill Ø5 ∇50
holes for 910266
and 908698


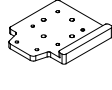


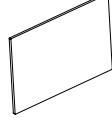




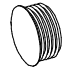
① 702286	PCS	② 707210	PCS
	1		2
65x65		118x118x503	


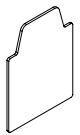
③ 707212	PCS	④ 707889	PCS
	1		2
118x118x1254		118x118x472	

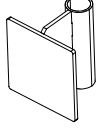
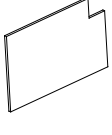
⑤ 708443	PCS	⑥ 712625	PCS
	1		1
118x118x352		16x148x745	

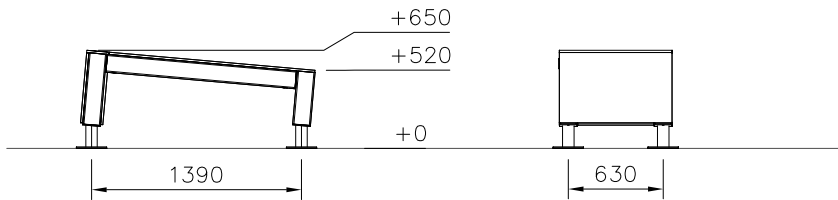
⑦ 712626	PCS	⑧ 708857 JIG	PCS
	1		1
16x118x1365		20x133x149	

⑨ 712623	PCS	⑩ 900240	PCS
	1		16
16x466x745		Ø8x70	

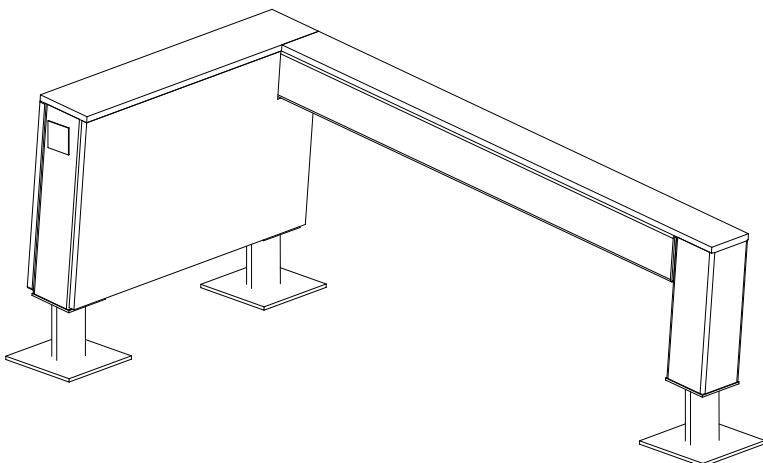
⑪ 903093	PCS	⑫ 905103	PCS
	4		2
Ø8x90		PT-28/32-H	




⑬ 905112	PCS	⑭ 908698	PCS
	4		4
Ø22		3x114x108	

⑮ 910266	PCS	⑯ 712624	PCS
	2		1
90x108x118		16x466x745	

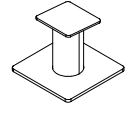



INSTALLATION OF A SECOND HAND

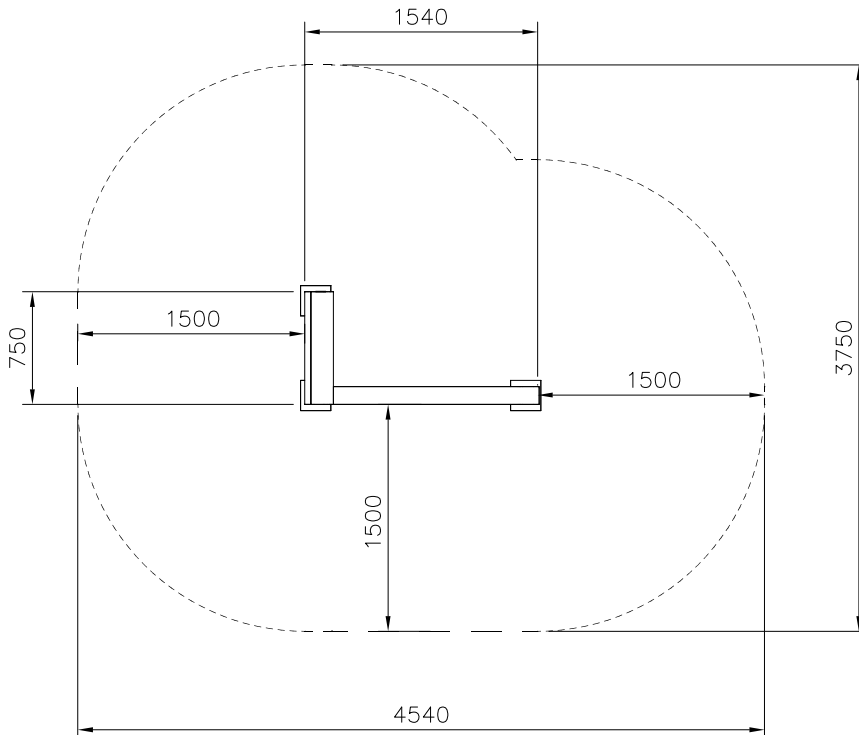


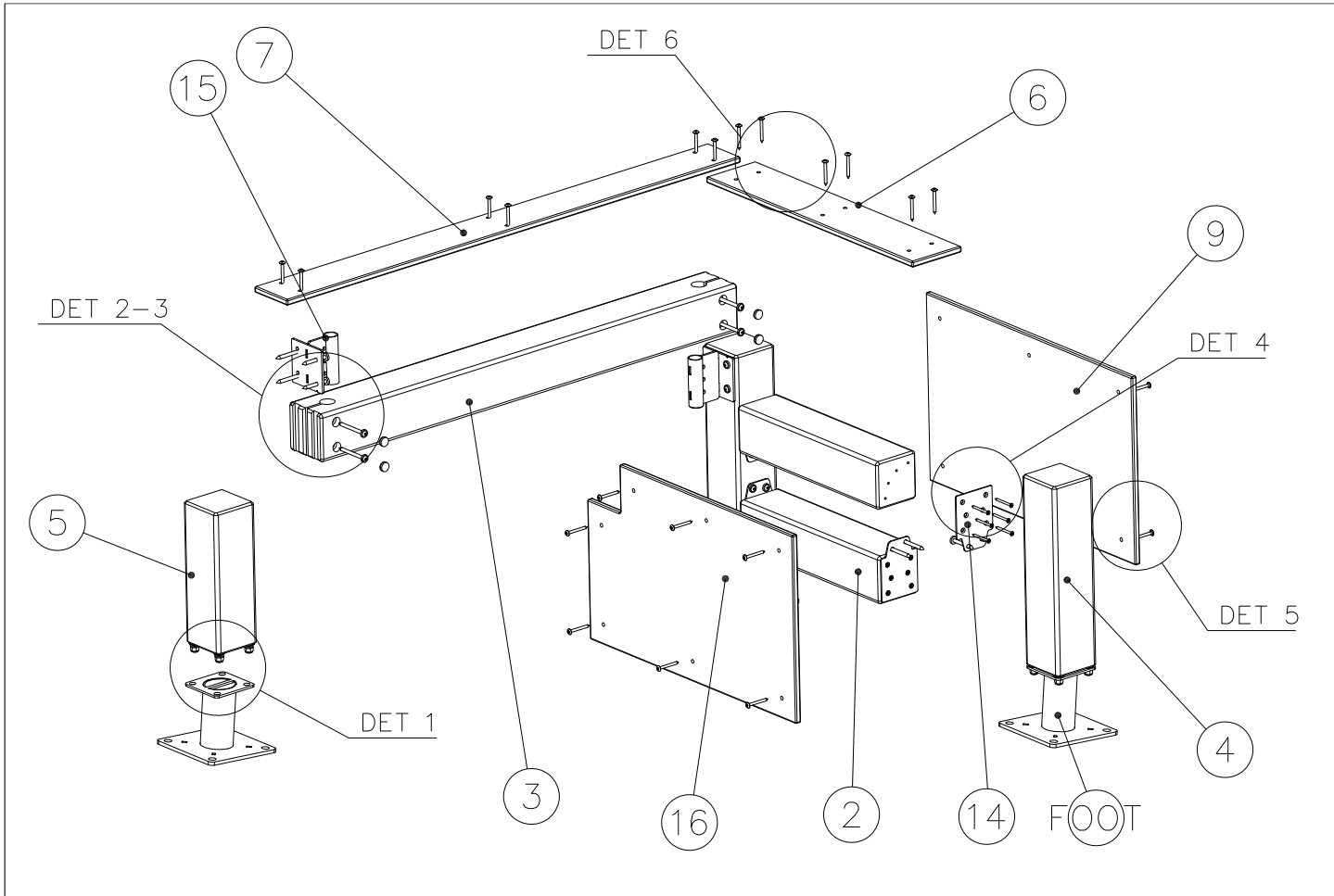
17	980100	PCS	18	980114	PCS	19	980123	PCS
		28			4			25
								
Ø5x60			Ø4x20			Ø7x60		

FOOT OPTIONS

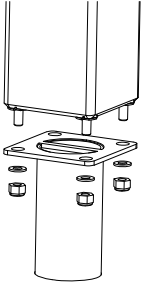
709261+		709262+	
910267	PCS	910567	PCS
SURFACE	3	CONCRETE	3
			
152x200x200		117x117x715	

----- Falling Space 13.8 m²
Max Falling Height 650 mm

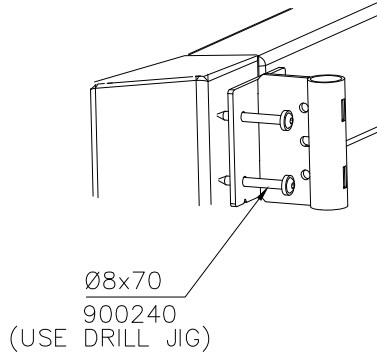




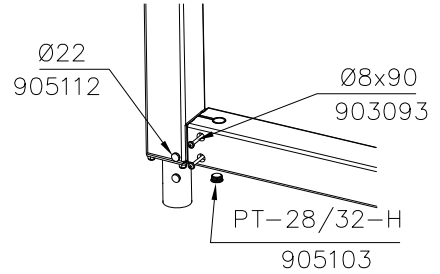
DET 1



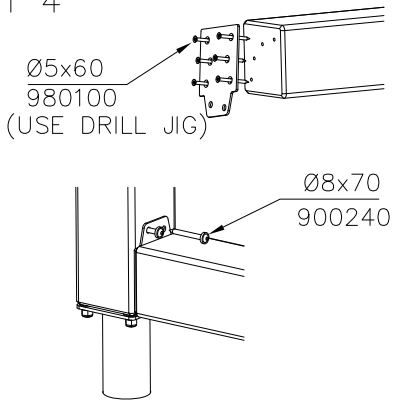
DET 2



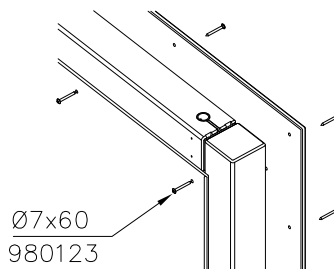
DET 3



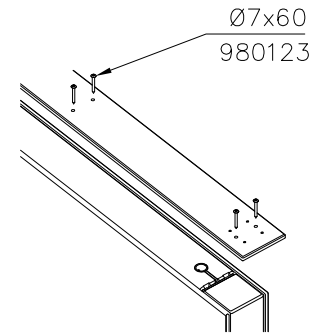
DET 4



DET 5

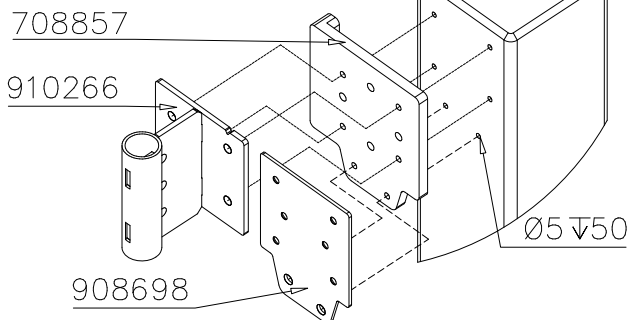


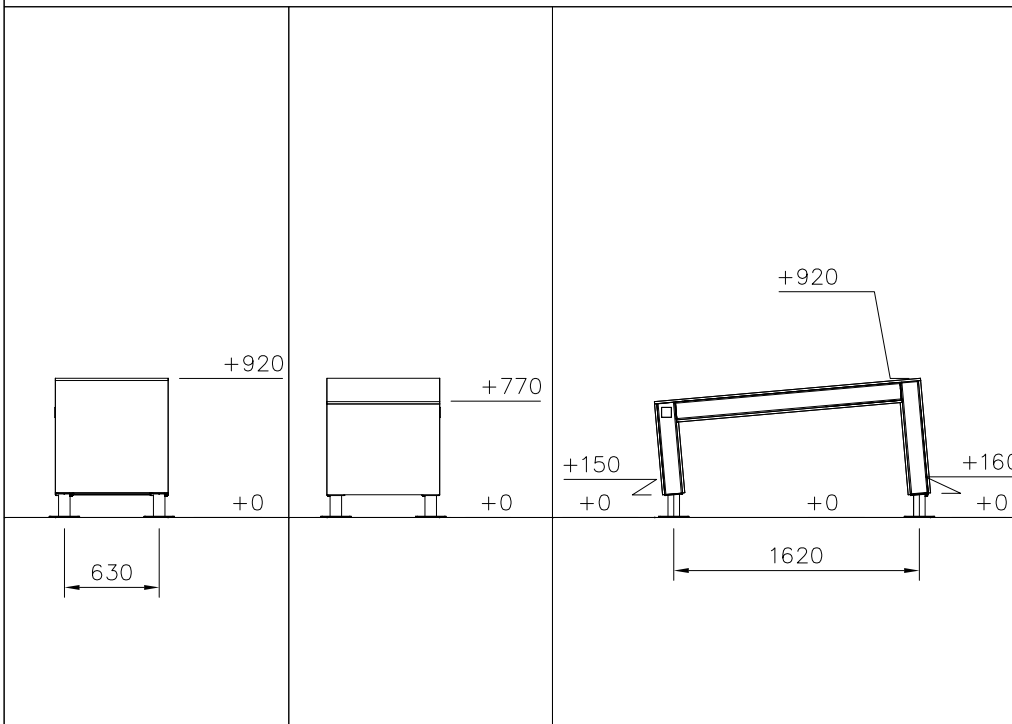
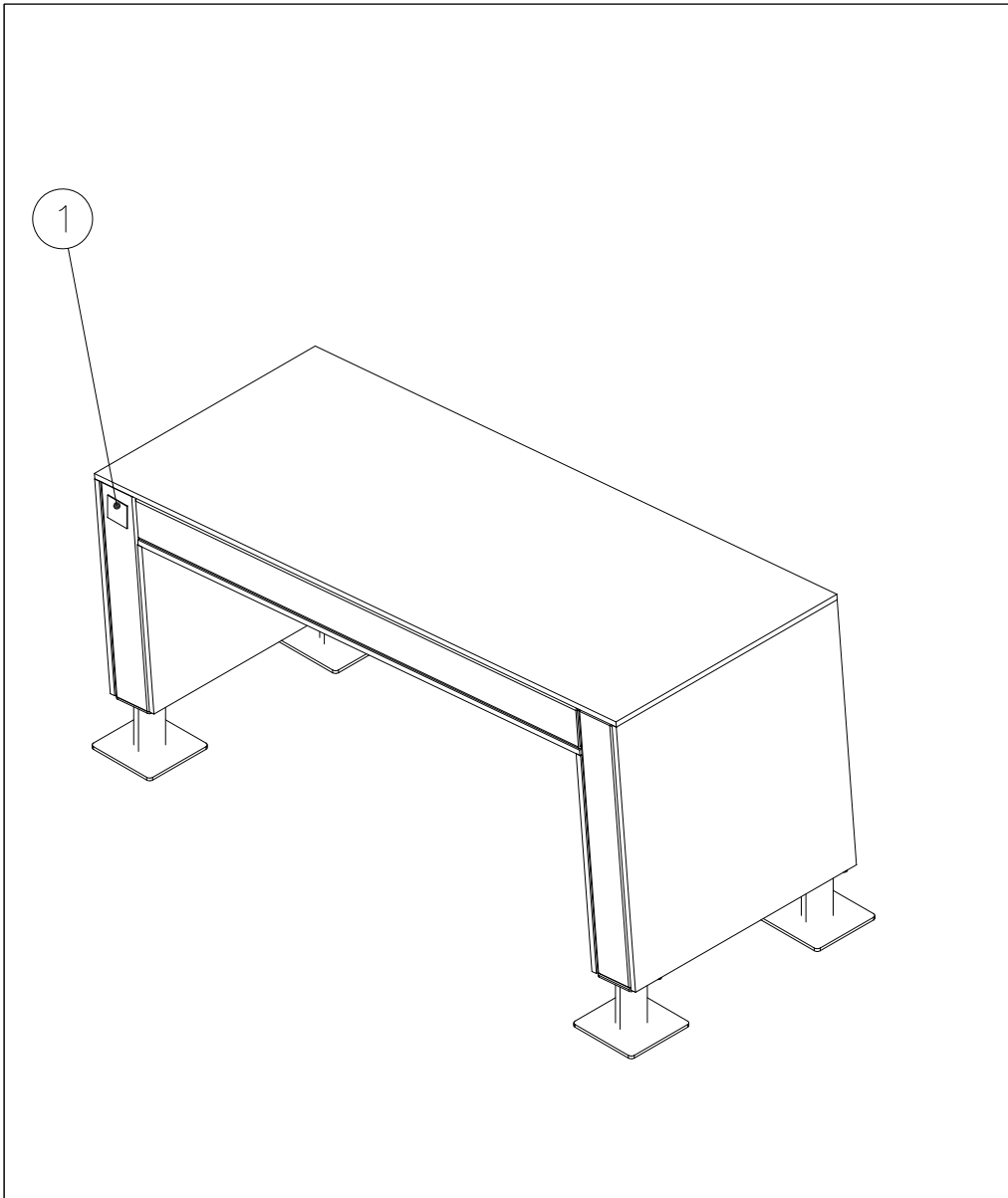
DET 6


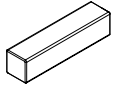




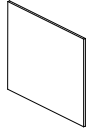

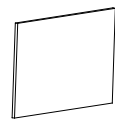
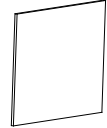
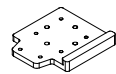

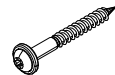

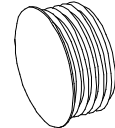
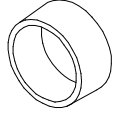


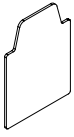
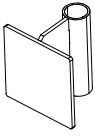



JIG DET A (USE DET 2-4)

NOTE:
Use drill jig 708857
to predrill Ø5 ∇50
holes for 910266
and 908698

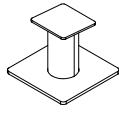
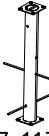




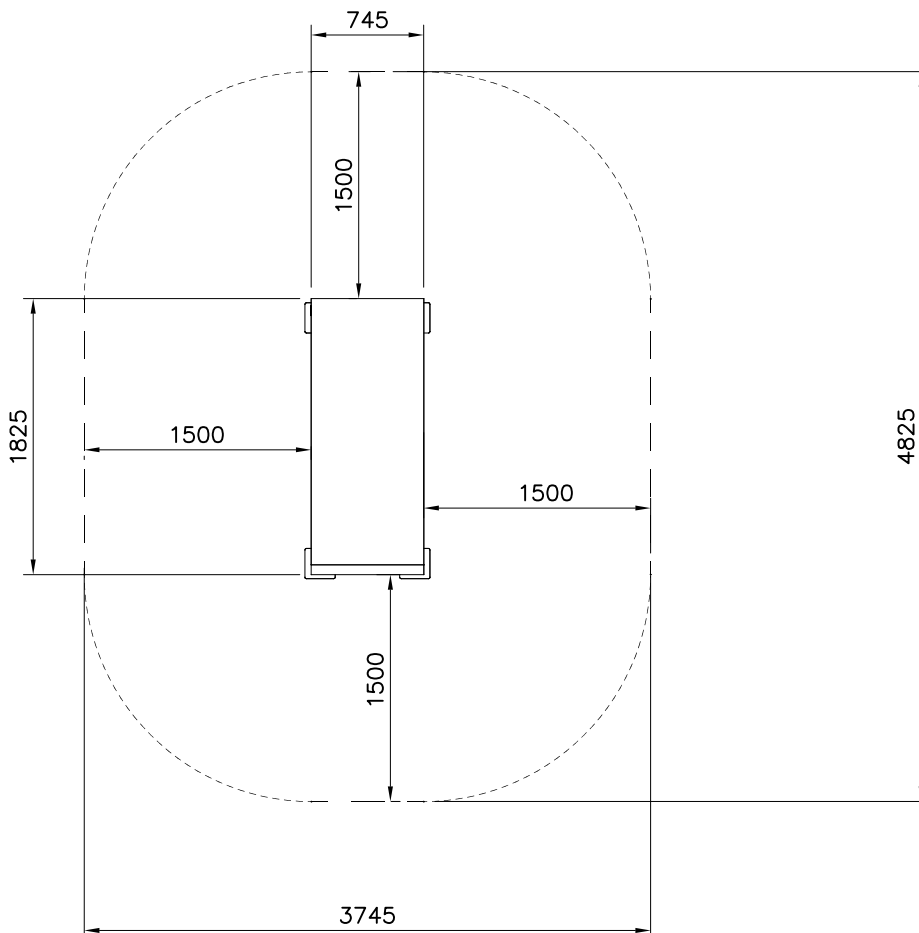
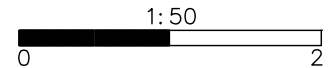
① 702286  65x65	PCS 1	② 707210  118x118x503	PCS 4
③ 707213  118x118x1490	PCS 2	④ 708127  118x118x603	PCS 2
⑤ 708137  118x118x745	PCS 2	⑥ 713176  16x745x1766	PCS 1
⑦ 712608  16x603x745	PCS 1	⑧ 712607  16x745x745	PCS 1
⑨ 708834  16x745x469	PCS 1	⑩ 708835  16x745x611	PCS 1
⑪ 708857 JIG  20x133x149	PCS 1	⑫ 709204  15x745x1495	PCS 1
⑬ 900240  Ø8x70	PCS 32	⑭ 903093  Ø8x90	PCS 8
⑮ 905103  PT-28/32-H	PCS 8	⑯ 905112  Ø22	PCS 8

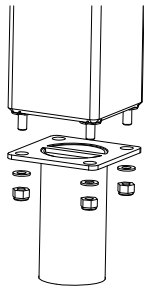
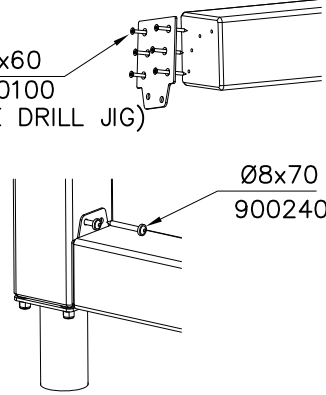
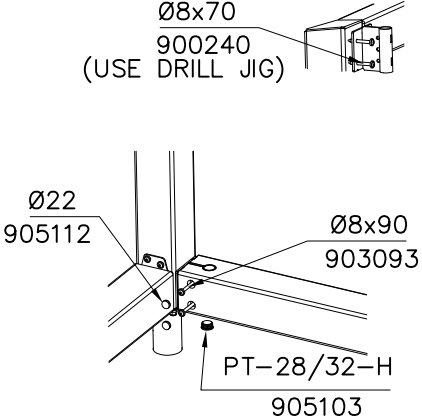
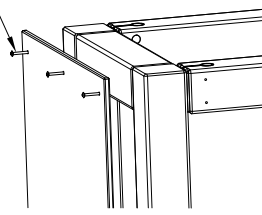
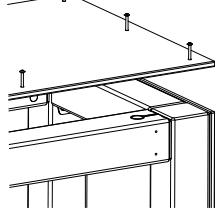
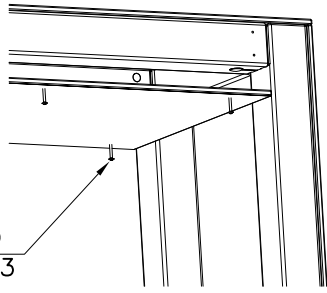
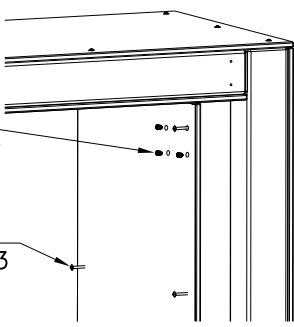
(17) 908698	PCS	(18) 910266	PCS	(19) 980114	PCS	(20) 980100	PCS	(21) 980123	PCS		PCS		PCS
	8		4		4		48		38				
3x114x108		90x108x118		Ø4x20		Ø5x60		Ø7x60					
	PCS		PCS		PCS								

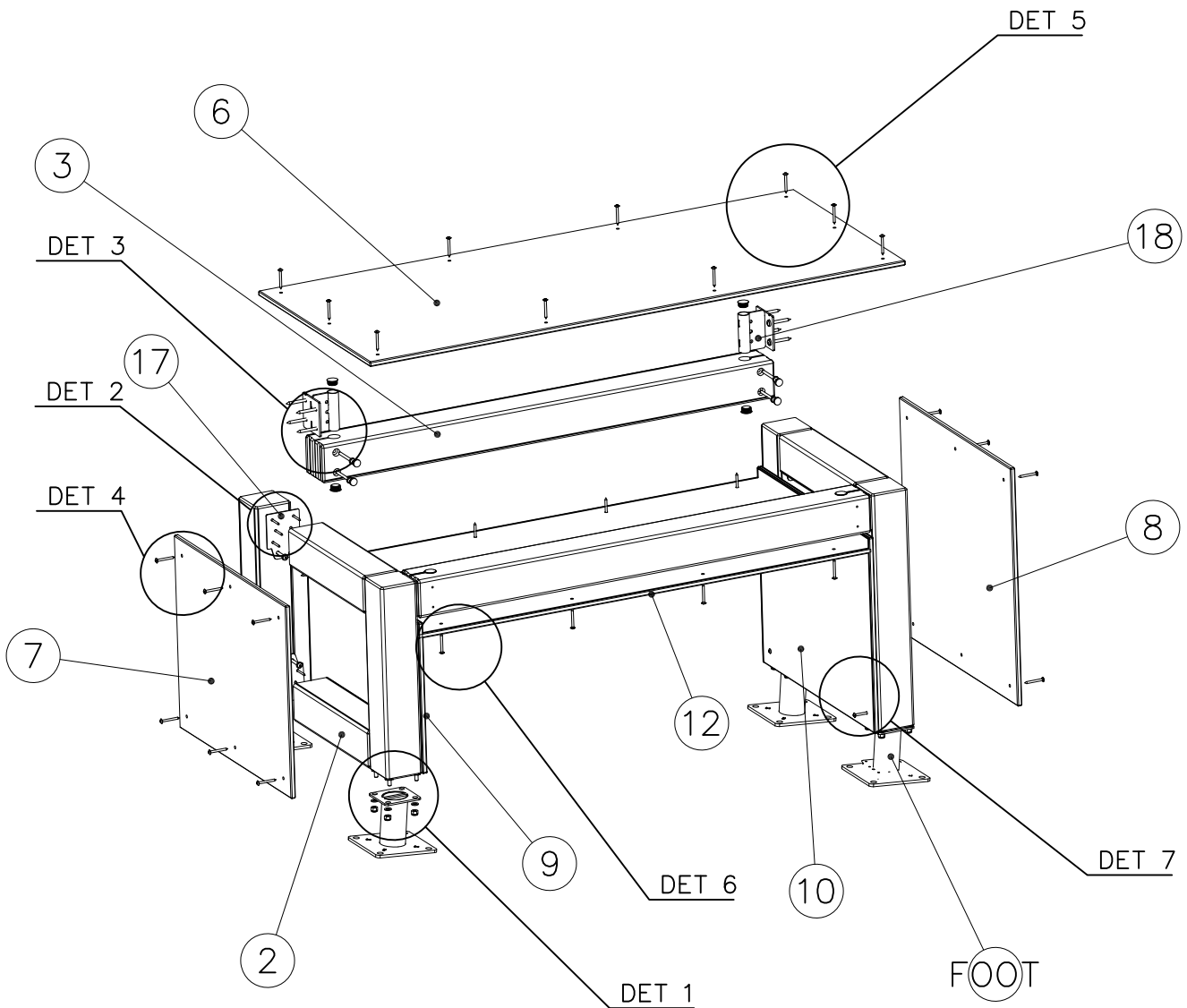
FOOT OPTIONS

709261+		709262+	
○ 910267	PCS	○ 910567	PCS
SURFACE	4	CONCRETE	4
			
152x200x200		117x117x715	

----- Falling Space 16.1 m²
Max Falling Height 920 mm



<p>DET 1</p> 	<p>DET 2</p>  <p>Ø5x60 980100 (USE DRILL JIG)</p> <p>Ø8x70 900240</p>	<p>DET 3</p>  <p>Ø8x70 900240 (USE DRILL JIG)</p> <p>Ø22 905112</p> <p>Ø8x90 903093</p> <p>PT-28/32-H 905103</p>
<p>DET 4</p>  <p>Ø7x60 980123</p>	<p>DET 5</p>  <p>Ø7x60 980123</p>	<p>DET 6</p>  <p>Ø7x60 980123</p>
<p>DET 7</p>  <p>SRL12 903533</p> <p>Ø7x60 980123</p>		



JIG DET A (USE DET 2-3)

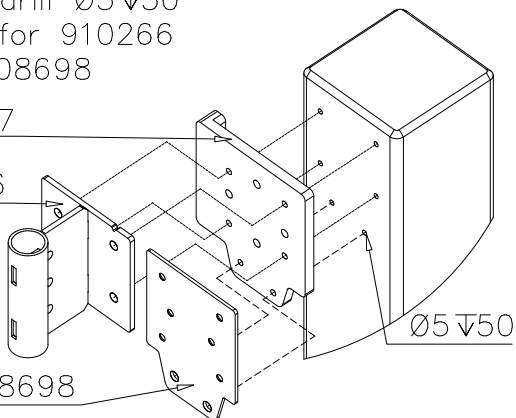
NOTE:

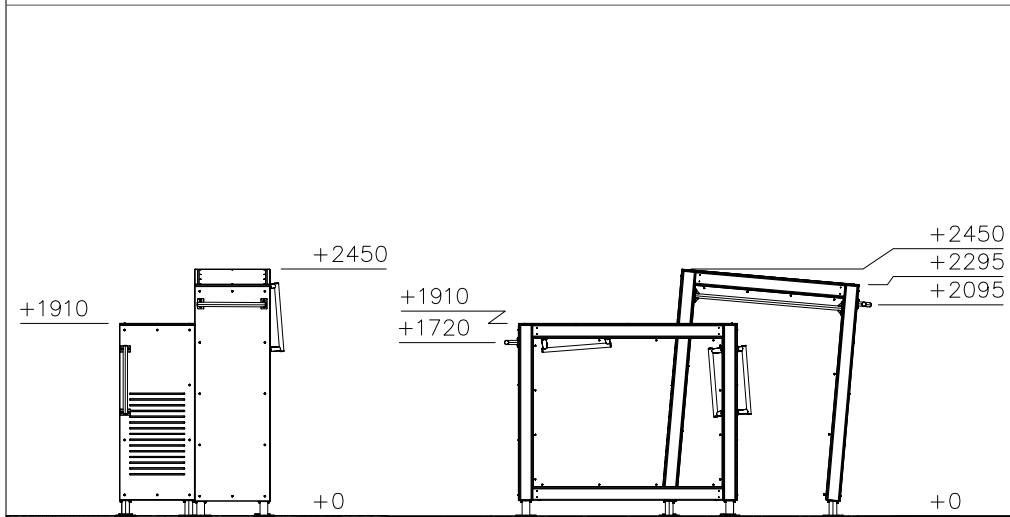
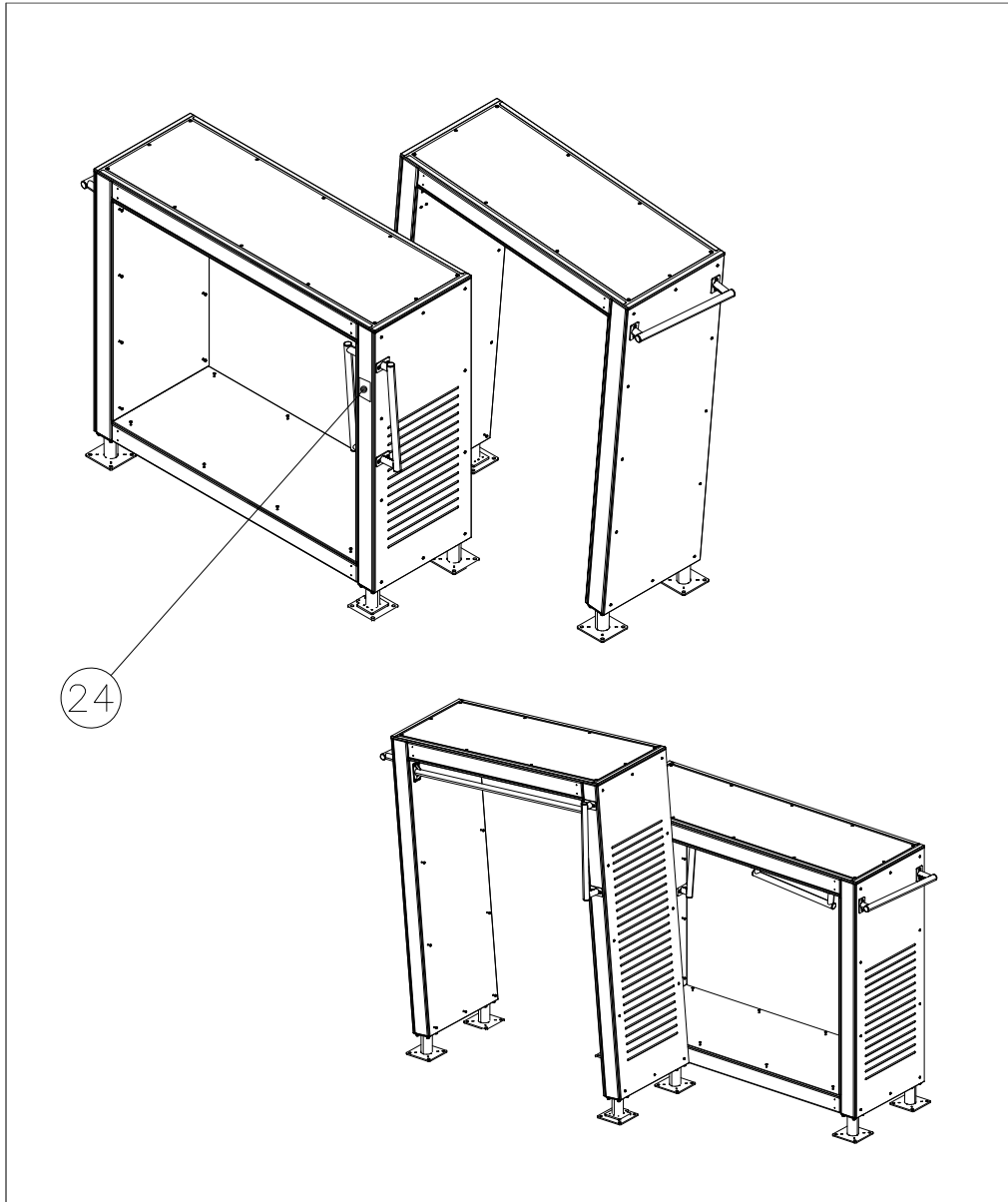
Use drill jig 708857 to predrill $\text{Ø}5 \nabla 50$ holes for 910266 and 908698

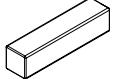

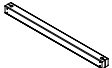







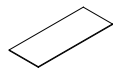
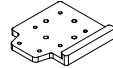
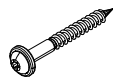
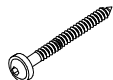
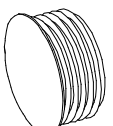
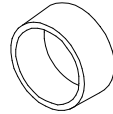
708857

910266

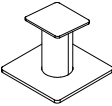
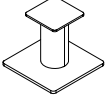

908698



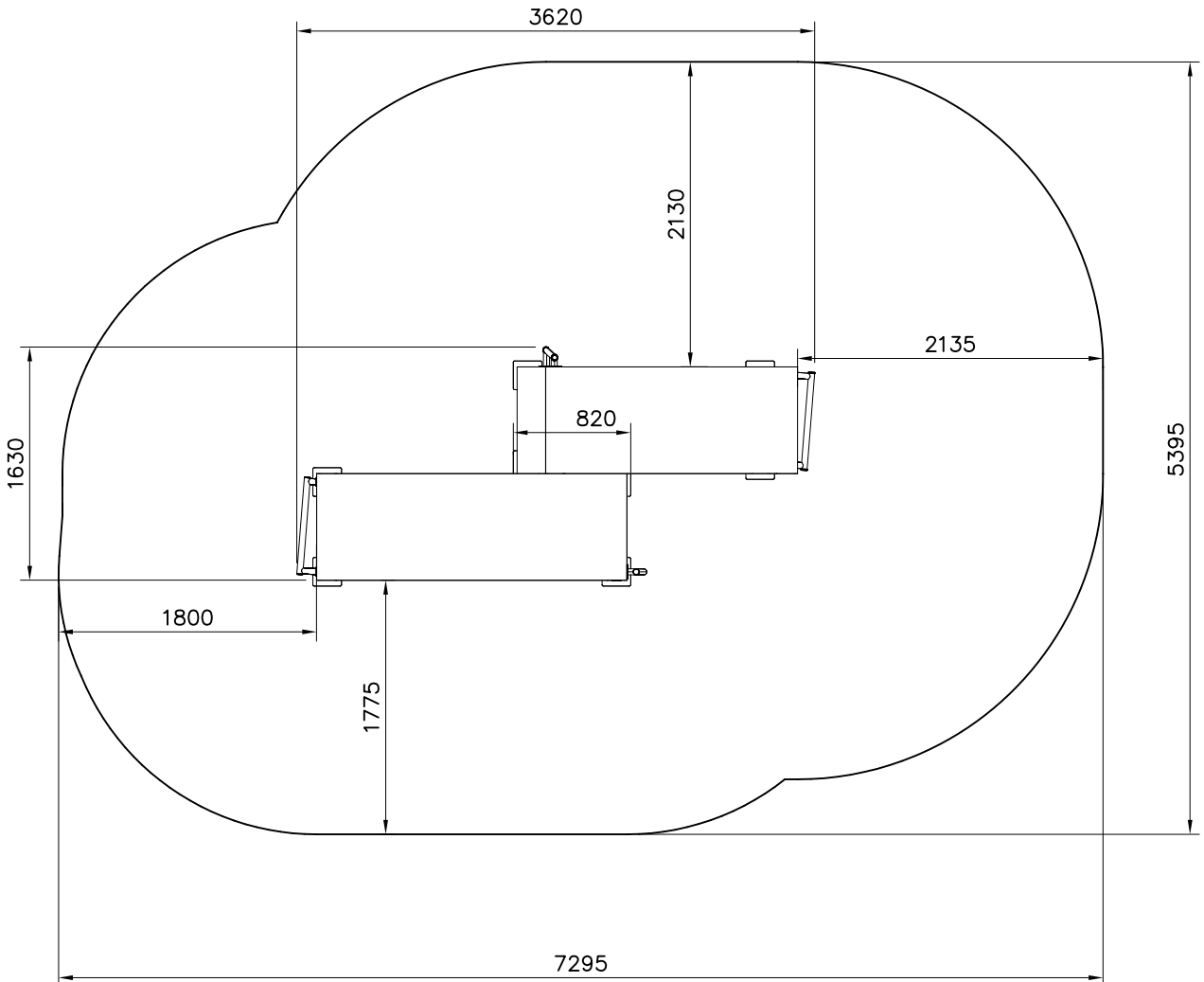
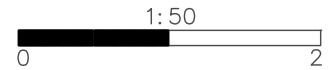


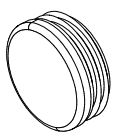
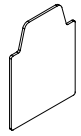

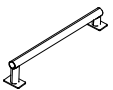
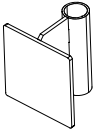




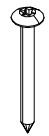


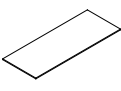
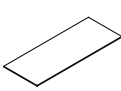


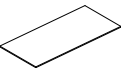
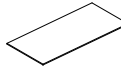

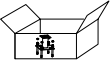
① 707210	PCS	② 707213	PCS
	8		2
118x118x503		118x118x1490	
③ 707517	PCS	④ 708346	PCS
	4		4
118x118x1892		118x118x1736	
⑤ 708522	PCS	⑥ 708688	PCS
	2		2
118x118x2139		118x118x2279	
⑦ 712612	PCS	⑧ 712611	PCS
	1		1
16x745x1766		16x745x2280	
⑨ 712630	PCS	⑩ 712631	PCS
	2		1
16x745x1736		16x745x2168	
⑪ 712633	PCS	⑫ 708857	PCS
	1		1
16x745x1897		20x133x149	
⑬ 900240	PCS	⑭ 903093	PCS
	112		24
Ø8x70		Ø8x90	
⑮ 905103	PCS	⑯ 905112	PCS
	16		24
PT-28/32-H		Ø22	

FOOT OPTIONS

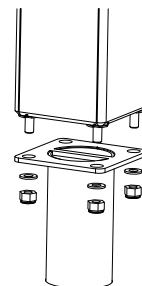
709261+		709261+		709262+	
○ 910267	PCS	○ 910330	PCS	○ 910567	PCS
SURFACE	4	SURFACE	4	CONCRETE	8
					
152x200x200		152x200x200		117x117x715	

- EN Impact Attenuating Surface (IAS) 32.7 m²
- - - Falling Space 32.7 m²
Max Falling Height 2450 mm

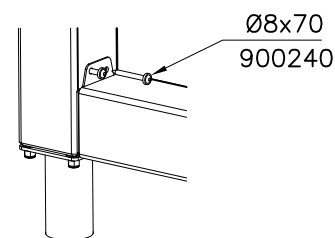
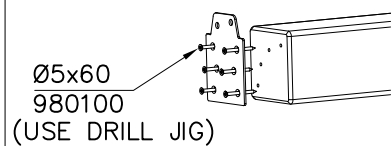


<p>17 908371 PCS 12</p>  <p>42-38/40</p>	<p>18 908698 PCS 16</p>  <p>3x114x108</p>	<p>33 980114 PCS 4</p>  <p>Ø4x20</p>
<p>19 910056 PCS 6</p>  <p>140x690</p>	<p>20 910266 PCS 12</p>  <p>90x108x118</p>	<p>34 905086 PCS 3</p>  <p>Ø44/13.5x3.9</p>
<p>21 910328 PCS 1</p>  <p>L 1466</p>	<p>22 980100 PCS 96</p>  <p>Ø5x60</p>	<p>35 909248 PCS 1</p>  <p>M12</p>
<p>23 980123 PCS 129</p>  <p>Ø7x60</p>	<p>24 702286 PCS 1</p>  <p>65x65</p>	<p>36 909132 PCS 1</p>  <p>M12x280</p>
<p>25 911288 COLOR PCS 2</p>  <p>15x745x1465</p>	<p>26 911289 COLOR PCS 1</p>  <p>15x745x1897</p>	
<p>27 909225 PCS 1</p>  <p>Ø12x180</p>	<p>28 911297 MURAL PCS 1</p>  <p>12x745x2140</p>	
<p>29 911293 COLOR PCS 1</p>  <p>15x745x2145</p>	<p>30 911295 COLOR PCS 1</p>  <p>15x745x2004</p>	
<p>31 911301 COLOR PCS 1</p>  <p>15x745x1495</p>	<p>32 709261 PCS 8</p> 	

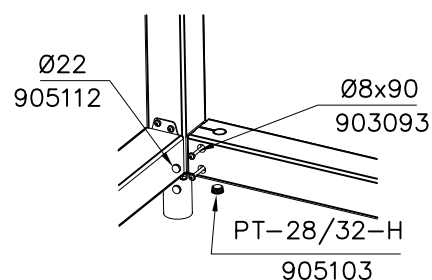
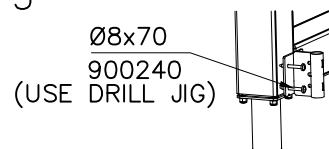
DET 1



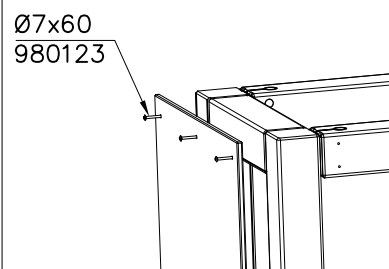
DET 2



DET 3

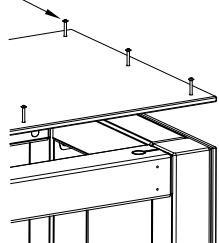


DET 4



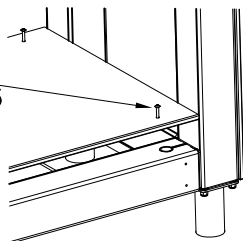
DET 5

Ø7x60
980123



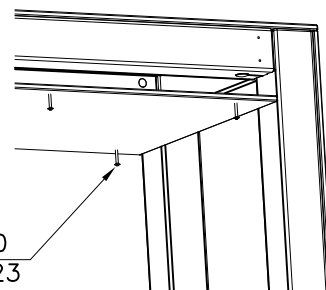
DET 6

Ø7x60
980123



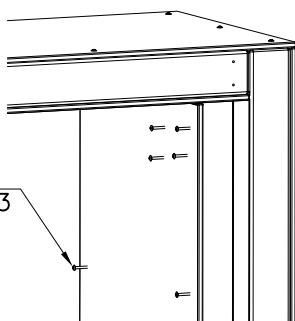
DET 7

Ø7x60
980123



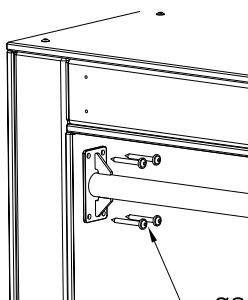
DET 8

Ø7x60
980123



DET 9

Ø8x70
900240

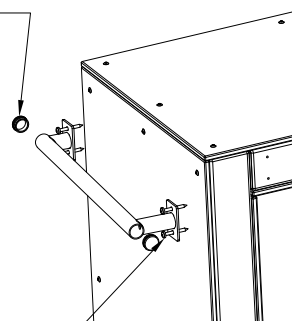


DET 10

42-38/40

908371

Ø8x70
900240



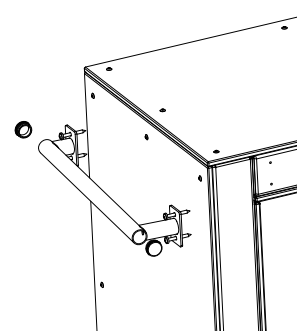
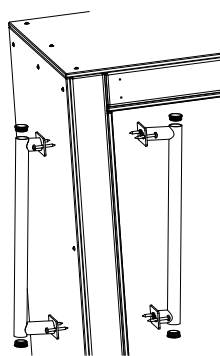
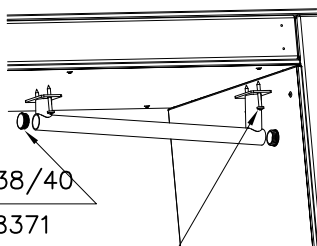
DET 11

DRILL PREHOLES BEFORE INSTALLING HANDLES

42-38/40

908371

Ø8x70
900240

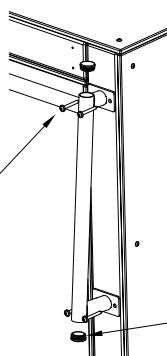


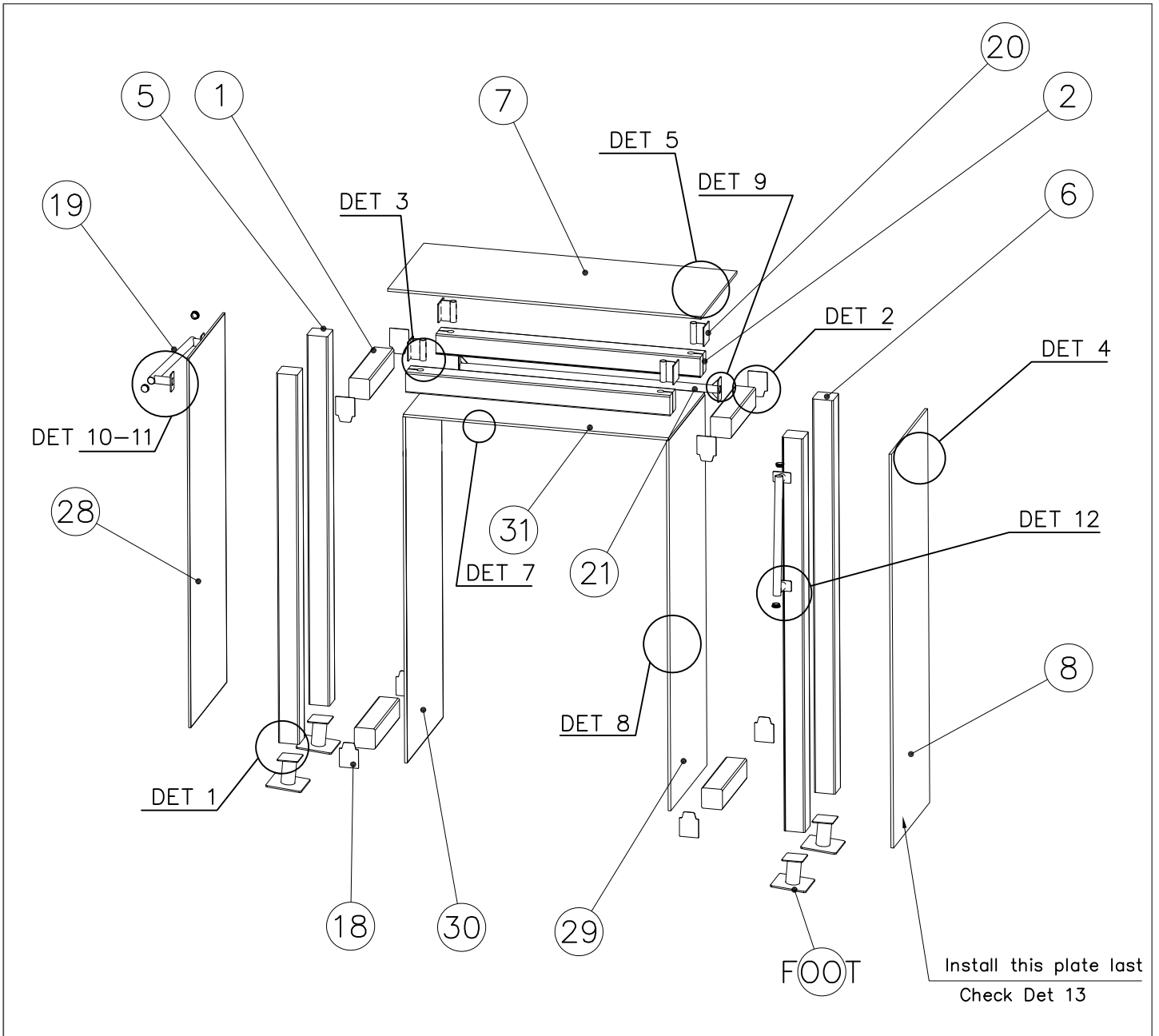
DET 12 DRILL PREHOLES BEFORE INSTALLING HANDLES

Ø8x70
900240

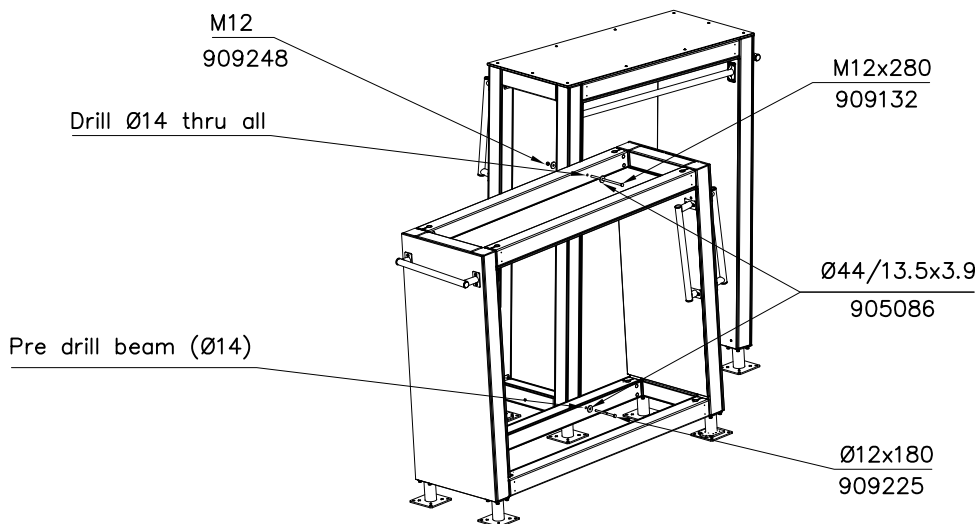
42-38/40

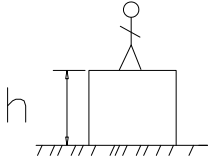
908371





DET 13





$h < 1600$

Totally hard surfaces or materials with very limited impact attenuating properties.

Case by case risk assessment is needed including e.g. evaluation whether there is forced movement, what is the intended exercise and where will the product be installed.

Materials with significant impact attenuating properties.

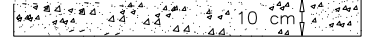
Totally hard surfaces.
E.g. concrete or asphalt



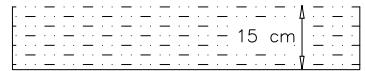
Materials with very limited impact attenuating properties.
E.g. wood



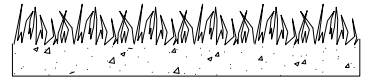
fine gravel 0–8 mm



Unsorted sand/ topsoil



Lawn

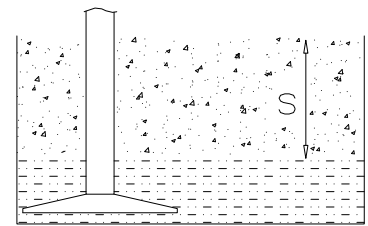


$h = 1600-$

$h < 3000$

Loose fill material

E.g.
sand/gravel 0,25...8 mm $D_{60}/D_{10} < 3,0$
Woodchips 5...30 mm
bark 20...80 mm



$\frac{S}{30 \text{ cm}}$ $\frac{h}{< 3,0 \text{ m}}$

Synthetic granulates

$\frac{S}{\text{mm}}$	$\frac{h}{\text{m}}$
40 mm	$\sim > 1,6... \sim < 1,8 \text{ m}$
50 mm	$\sim > 1,8... \sim < 2,25 \text{ m}$
55 mm	$\sim > 2,25... \sim < 2,4 \text{ m}$
60 mm	$\sim > 2,4... \sim < 2,55 \text{ m}$
70 mm	$\sim > 2,55... \sim < 3,0 \text{ m}$

Note. For accurate values, see manufacturer's instructions.

