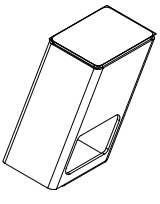

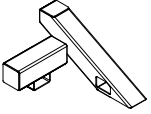

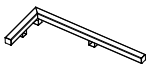

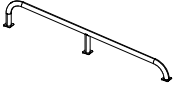

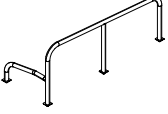

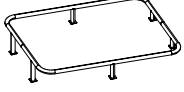

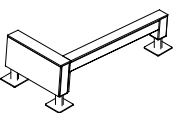

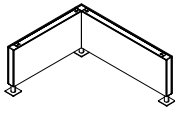

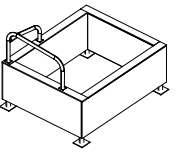

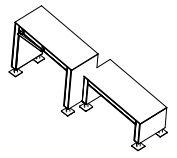

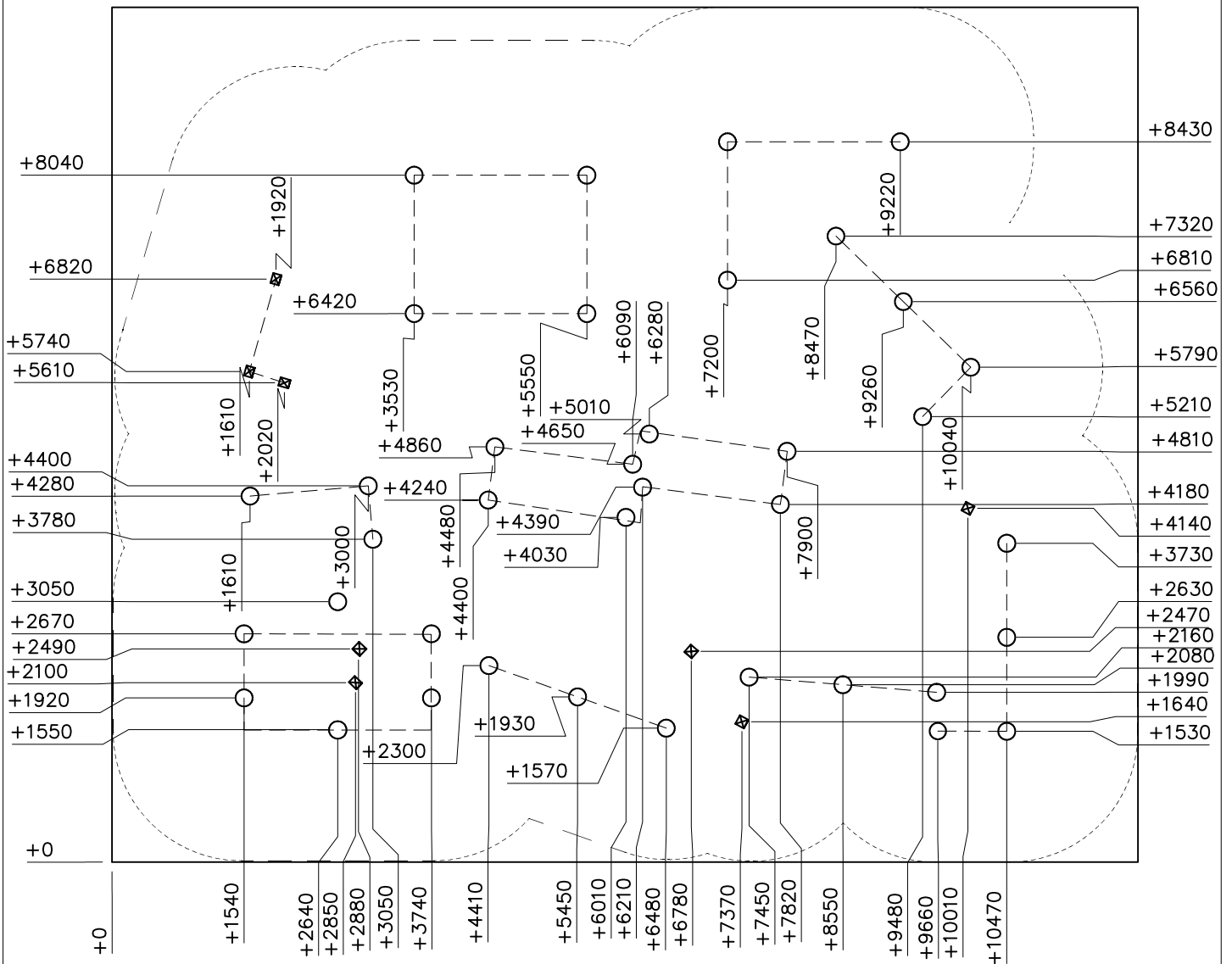
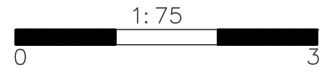


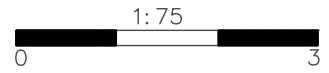


DATE: 29.3.2021

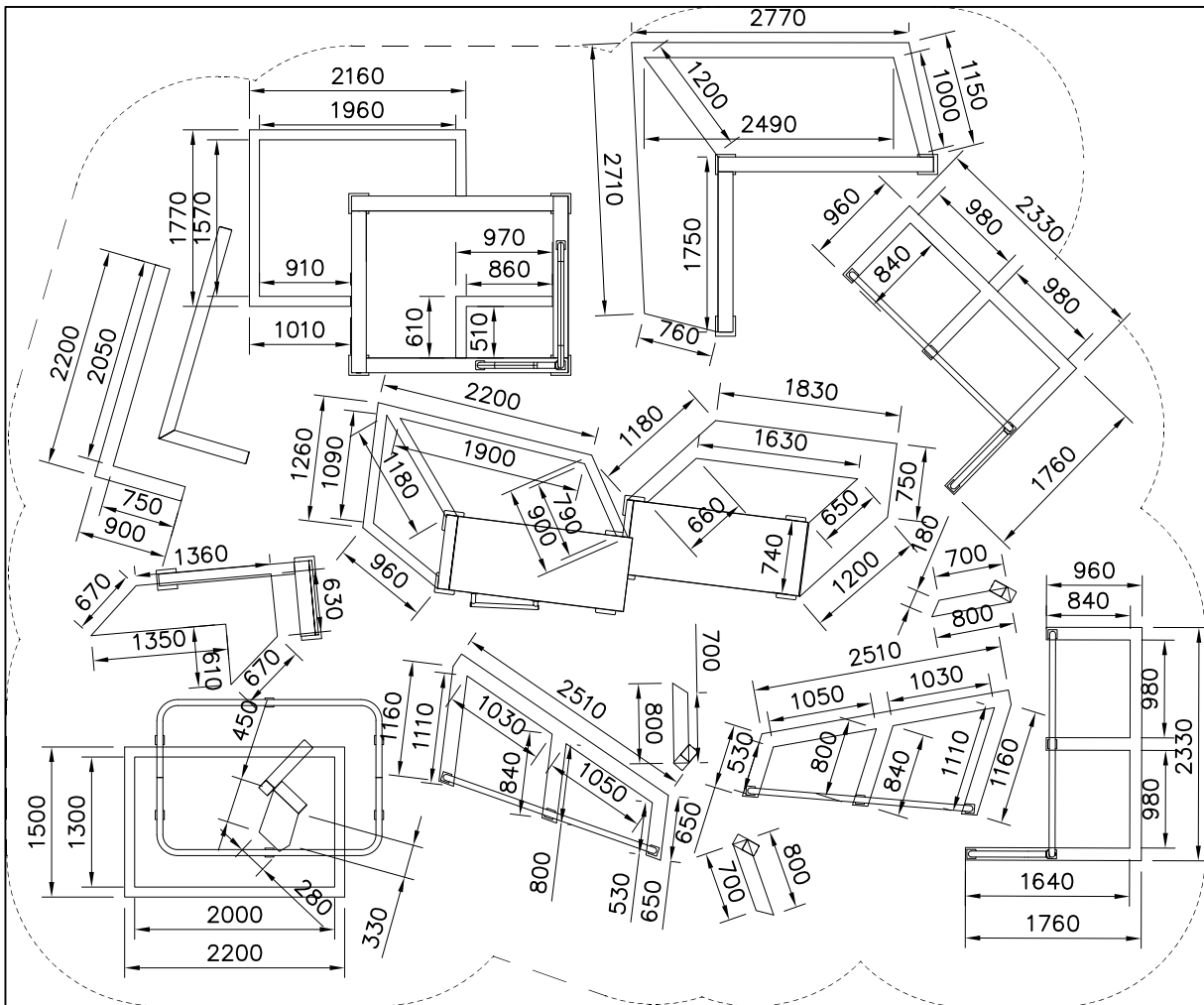
081700M  	PCS 3	081701M  	PCS 1	081703M  	PCS 1	081710M  	PCS 2	081712M  	PCS 2	081713M  	PCS 1
081720M  	PCS 1	081722M  	PCS 1	081728M  	PCS 1	081736M  	PCS 1		PCS		PCS
	PCS		PCS		PCS		PCS		PCS		PCS
	PCS		PCS		PCS		PCS		PCS		PCS
	PCS		PCS		PCS		PCS		PCS		PCS
	PCS		PCS		PCS		PCS		PCS		PCS
	PCS		PCS		PCS		PCS		PCS		PCS

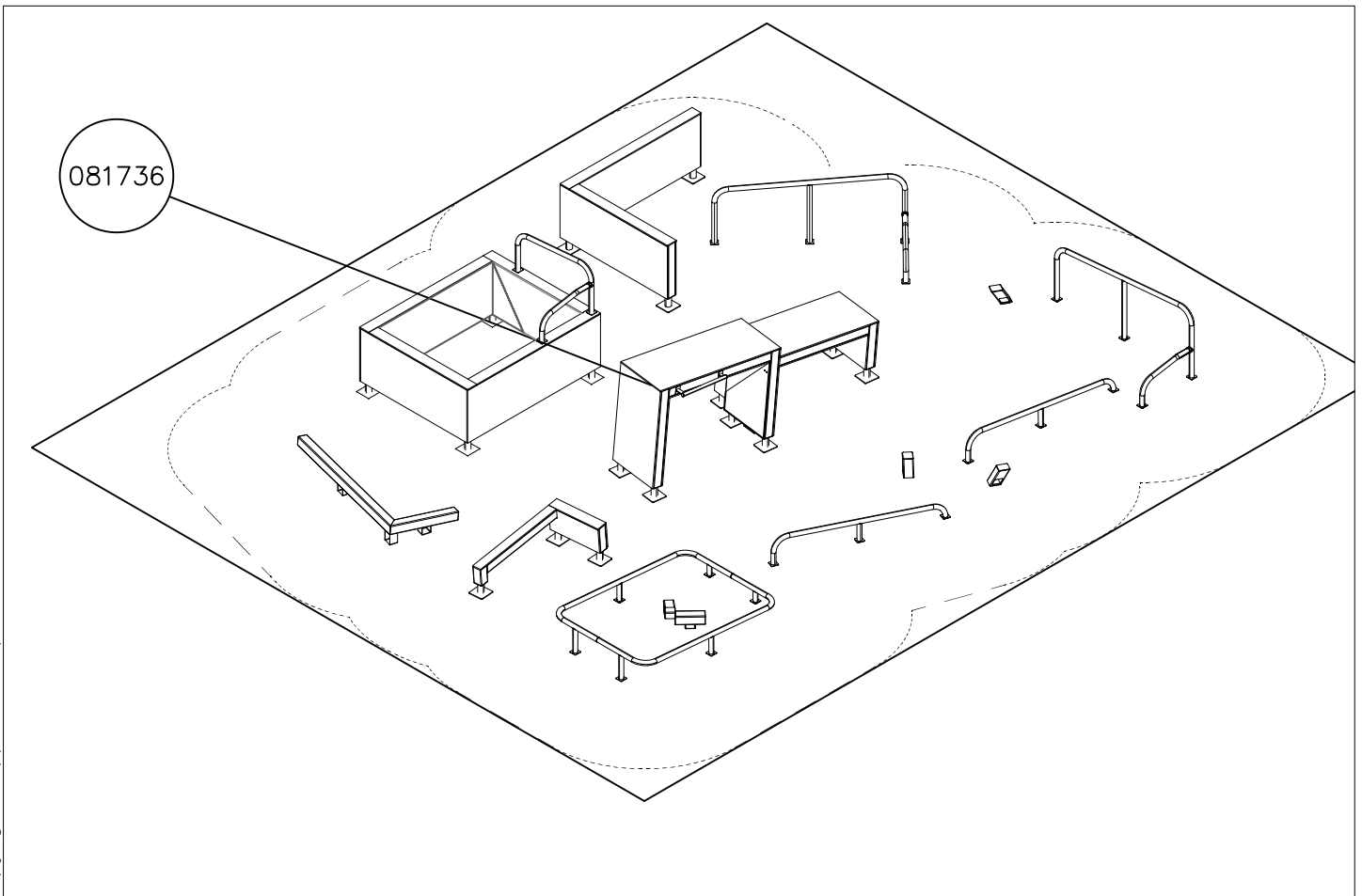
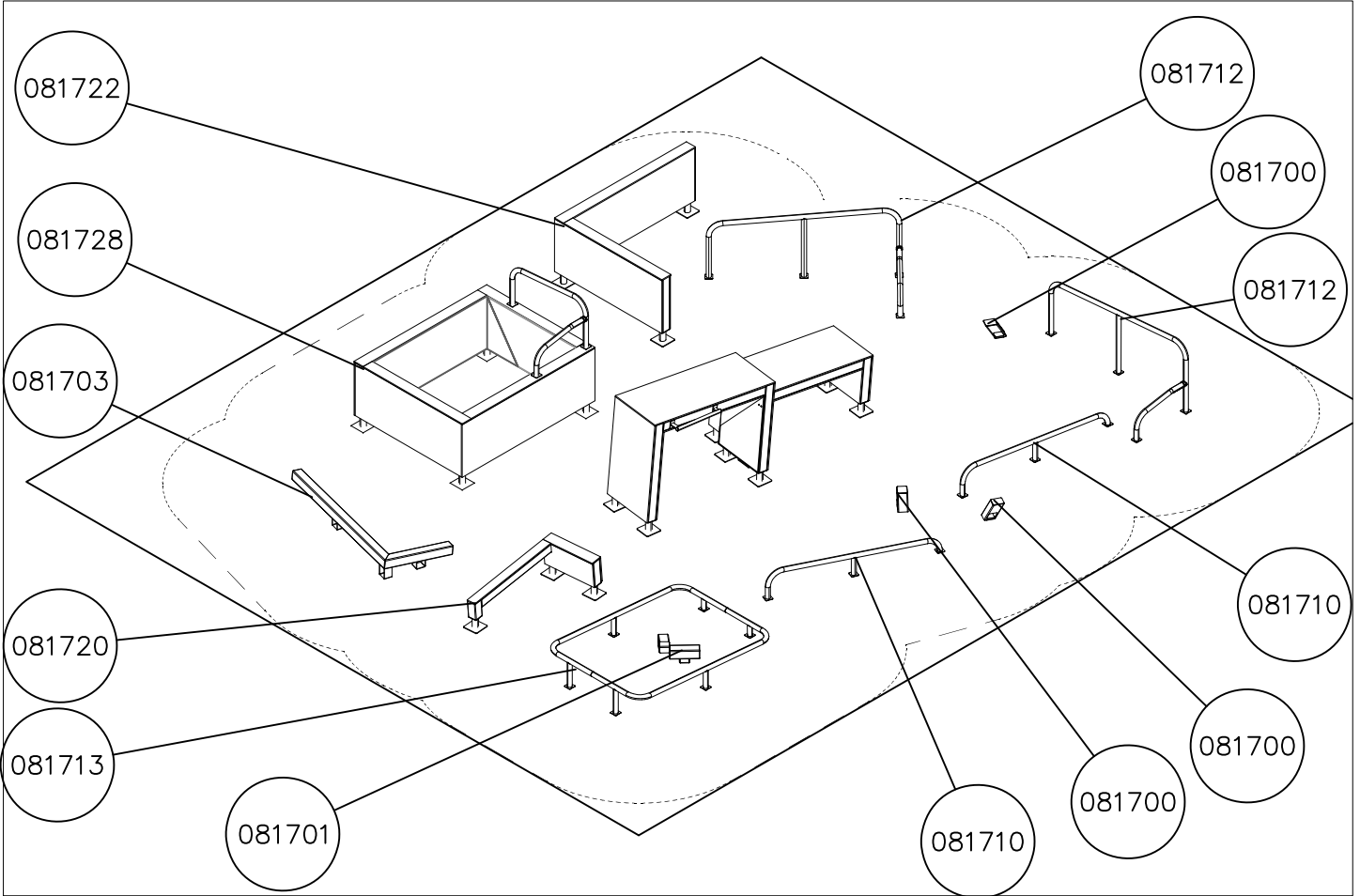


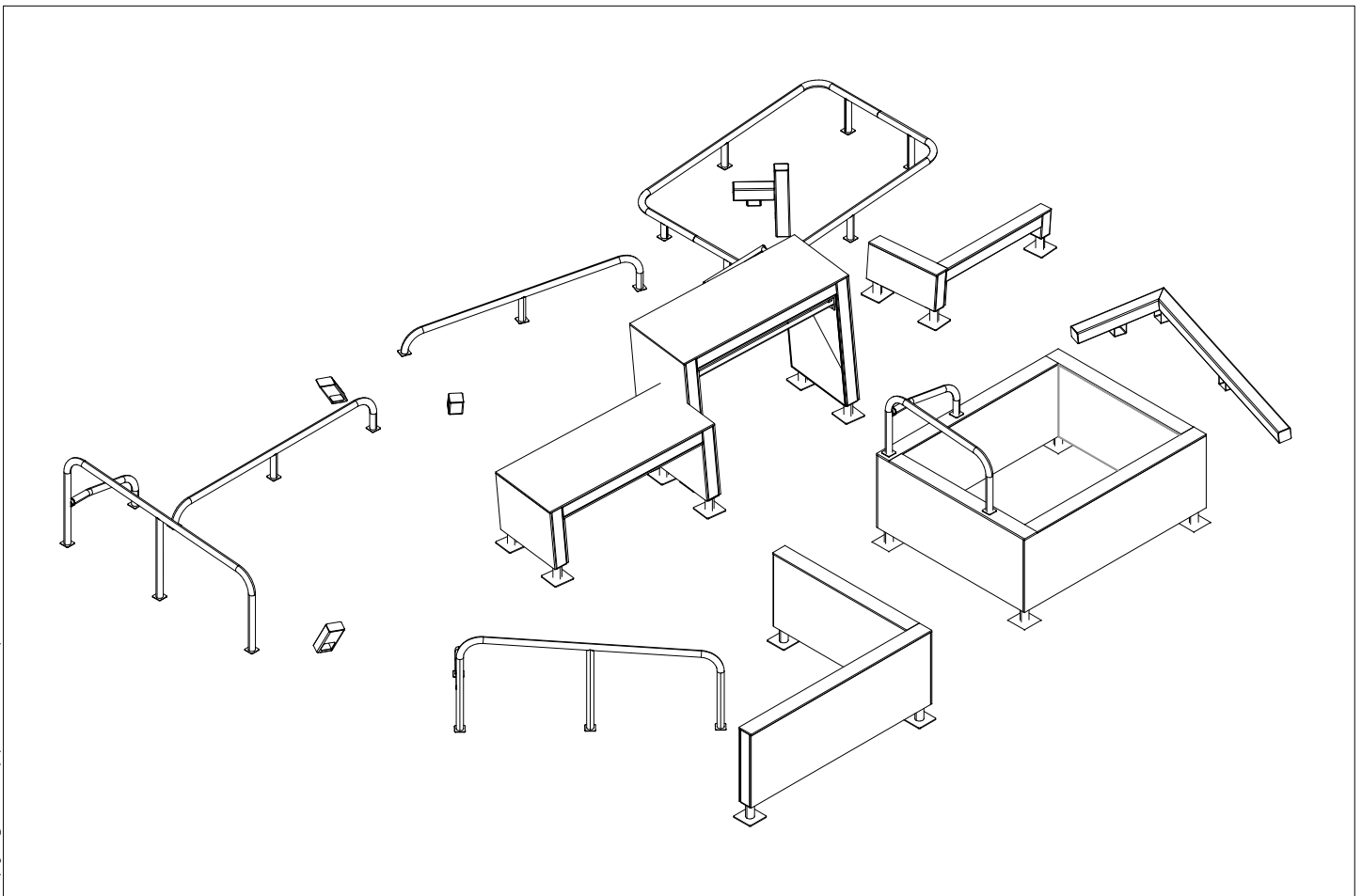
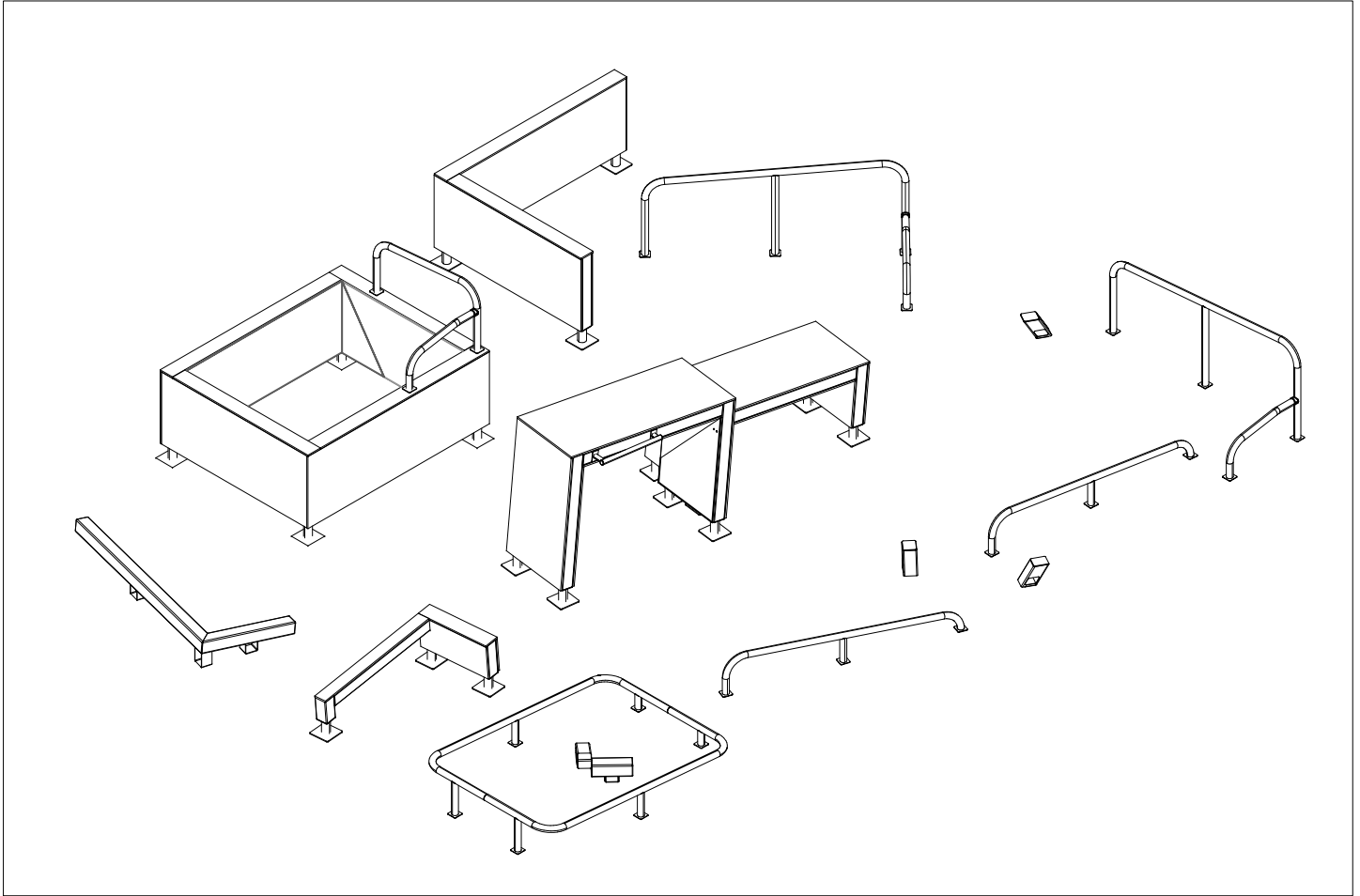


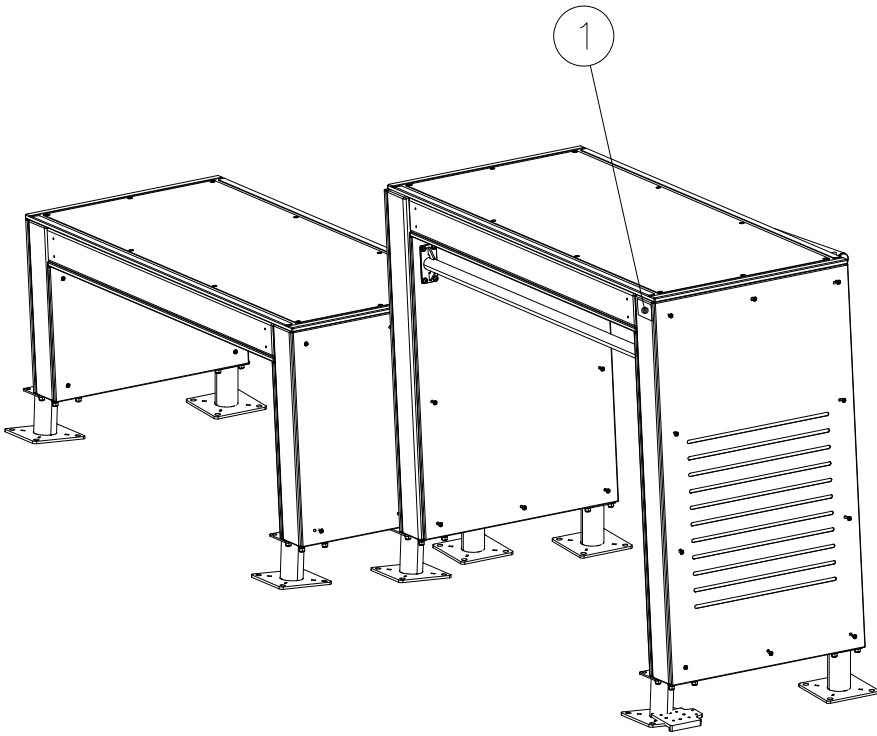



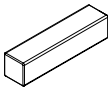
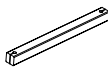




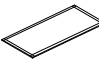
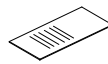
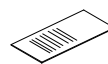
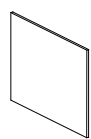



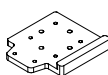

Groundmarks

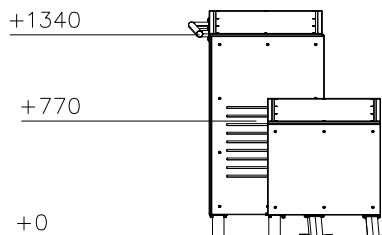
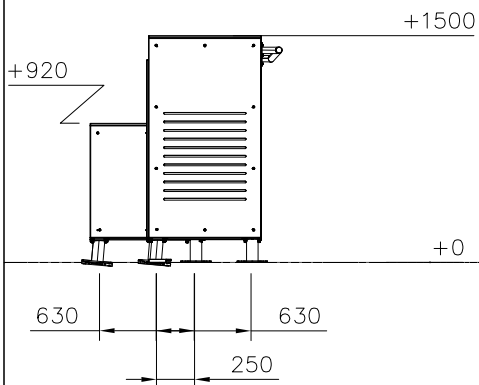




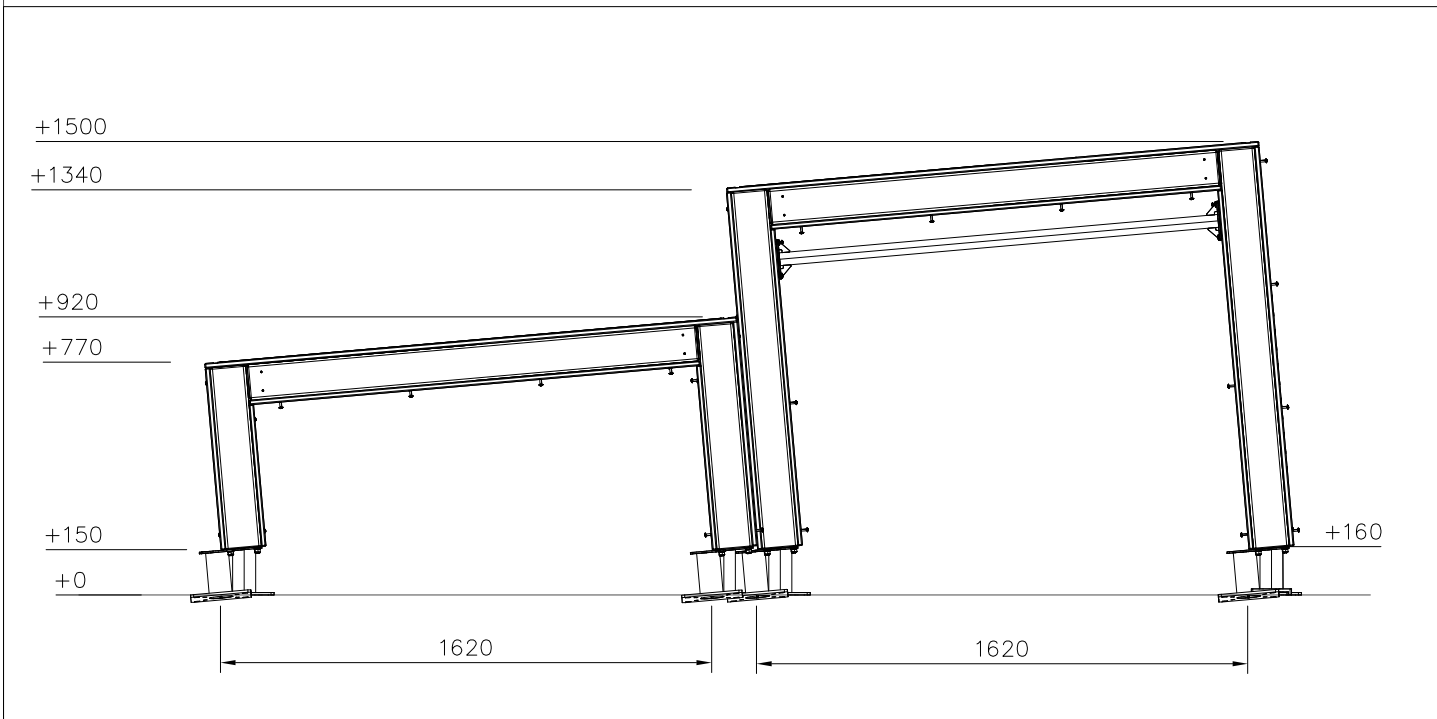




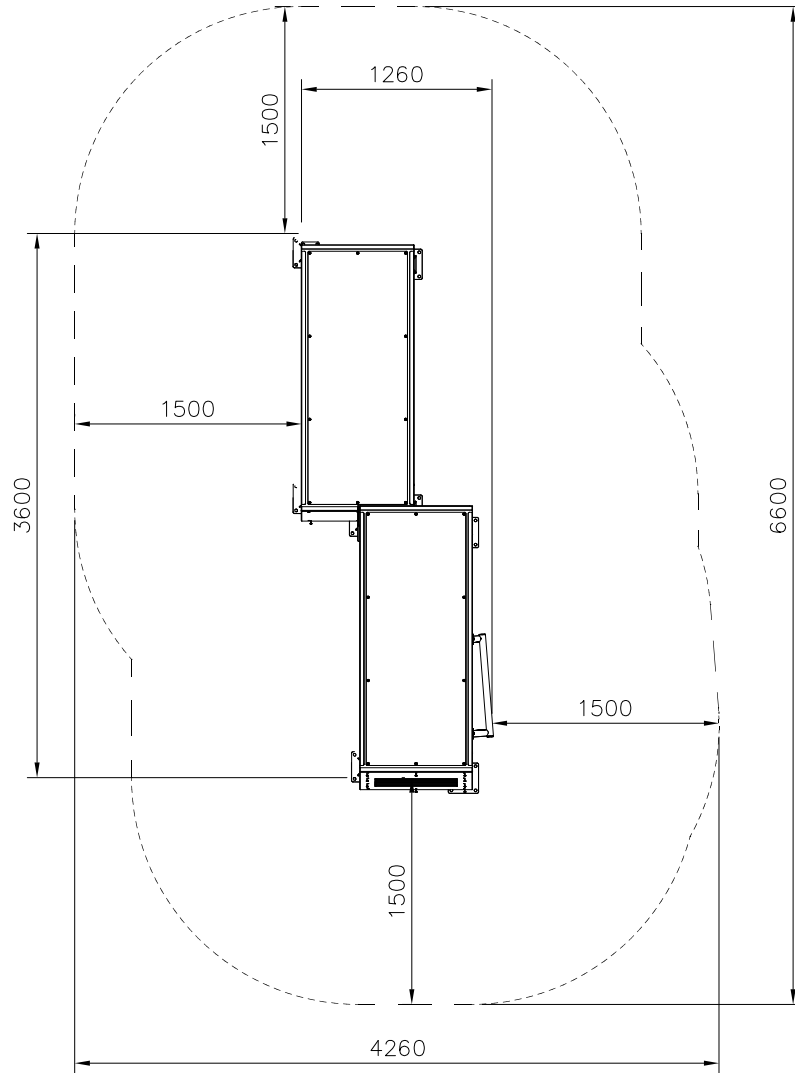
① 702286  65x65	PCS 1	② 707210  118x118x503	PCS 8
③ 707213  118x118x1490	PCS 4	④ 708042  118x118x1185	PCS 2
⑤ 708125  118x118x1326	PCS 2	⑥ 708127  118x118x603	PCS 2
⑦ 708137  118x118x745	PCS 2	⑧ 712612  16x745x1766	PCS 2
⑨ 712610  16x745x1185	PCS 1	⑩ 712609  16x745x1326	PCS 1
⑪ 712608  16x603x745	PCS 1	⑫ 712607  16x745x745	PCS 1
⑬ 708834  16x745x469	PCS 1	⑭ 708835  16x745x611	PCS 1
⑮ 708857 JIG  20x133x149	PCS 1	⑯ 709204  15x745x1495	PCS 1



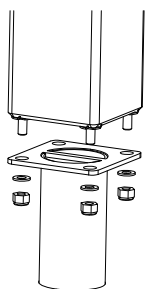
17 911303 COLOR  15x745x1495 PCS 1	18 911305 COLOR  15x745x1192 PCS 1	19 911307 COLOR  15x745x1050 PCS 1	20 900240  Ø8x70 PCS 76	21 903093  Ø8x90 PCS 20	22 903533  SRL12 PCS 6
23 980114  Ø4x20 PCS 4	24 905103  PT-28/32-H PCS 16	25 905112  Ø22 PCS 16	26 908371  42-38/40 PCS 2	27 908698  3x114x108 PCS 16	28 980100  Ø5x60 PCS 96
29 910328  L 1466 PCS 1	30 910056  140x690 PCS 1	31 910266  90x108x118 PCS 8	32 980123  Ø7x60 PCS 91	FOOT OPTIONS 709261+      709262+ ○ 910267    PCS 8      ○ 910567    PCS 8 SURFACE      CONCRETE  152x200x200  117x117x715	



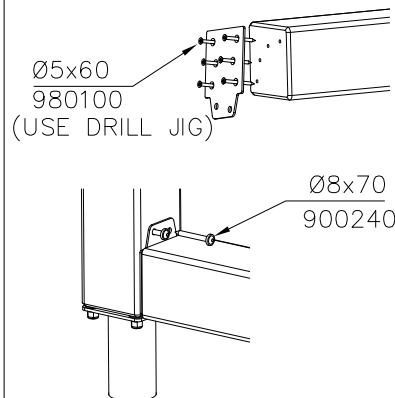
----- Falling Space 23.5 m<sup>2</sup>  
Max Falling Height 1500 mm



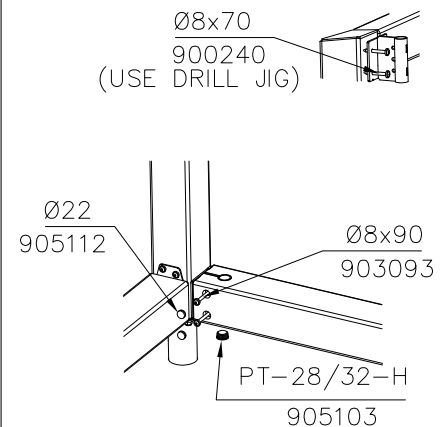
DET 1



DET 2

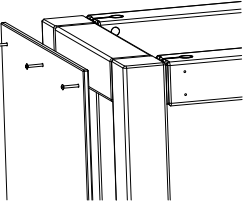


DET 3



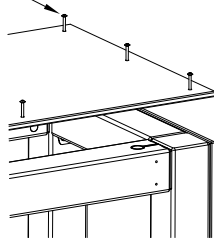
DET 4

Ø7x60  
980123



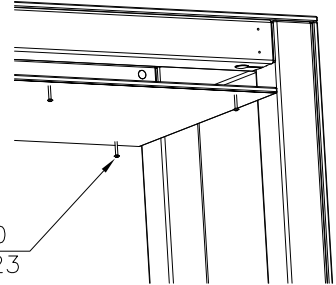
DET 5

Ø7x60  
980123



DET 6

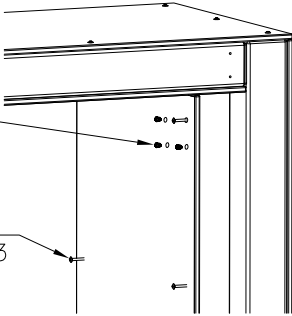
Ø7x60  
980123



DET 7

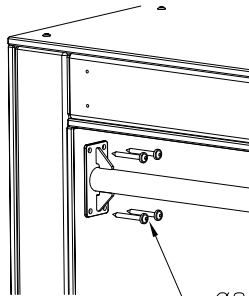
SRL12  
903533

Ø7x60  
980123



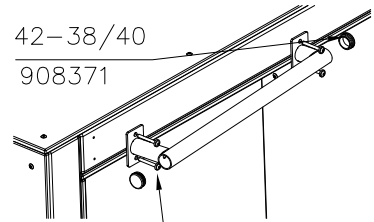
DET 8

Ø8x70  
900240



DET 9 DRILL PREHOLES  
Ø6mm BEFORE  
INSTALLING HANDLES

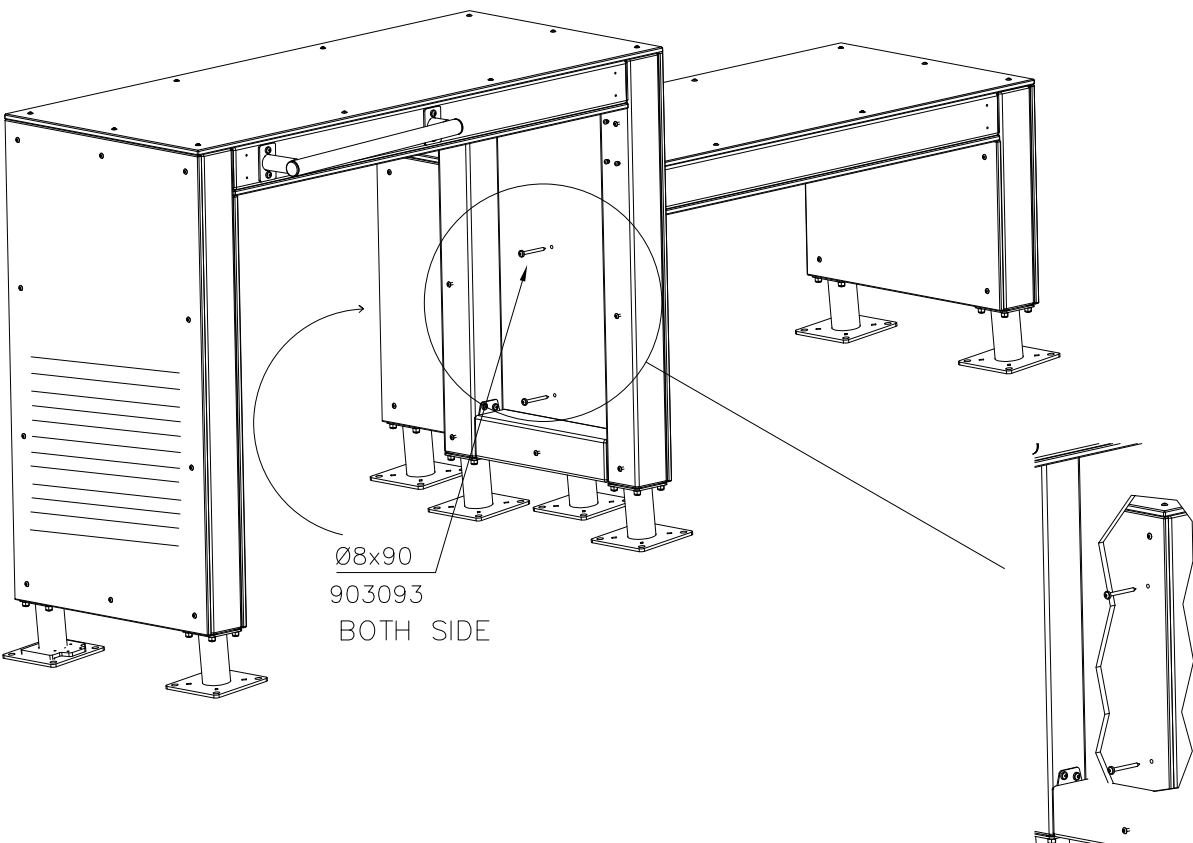
42-38/40  
908371

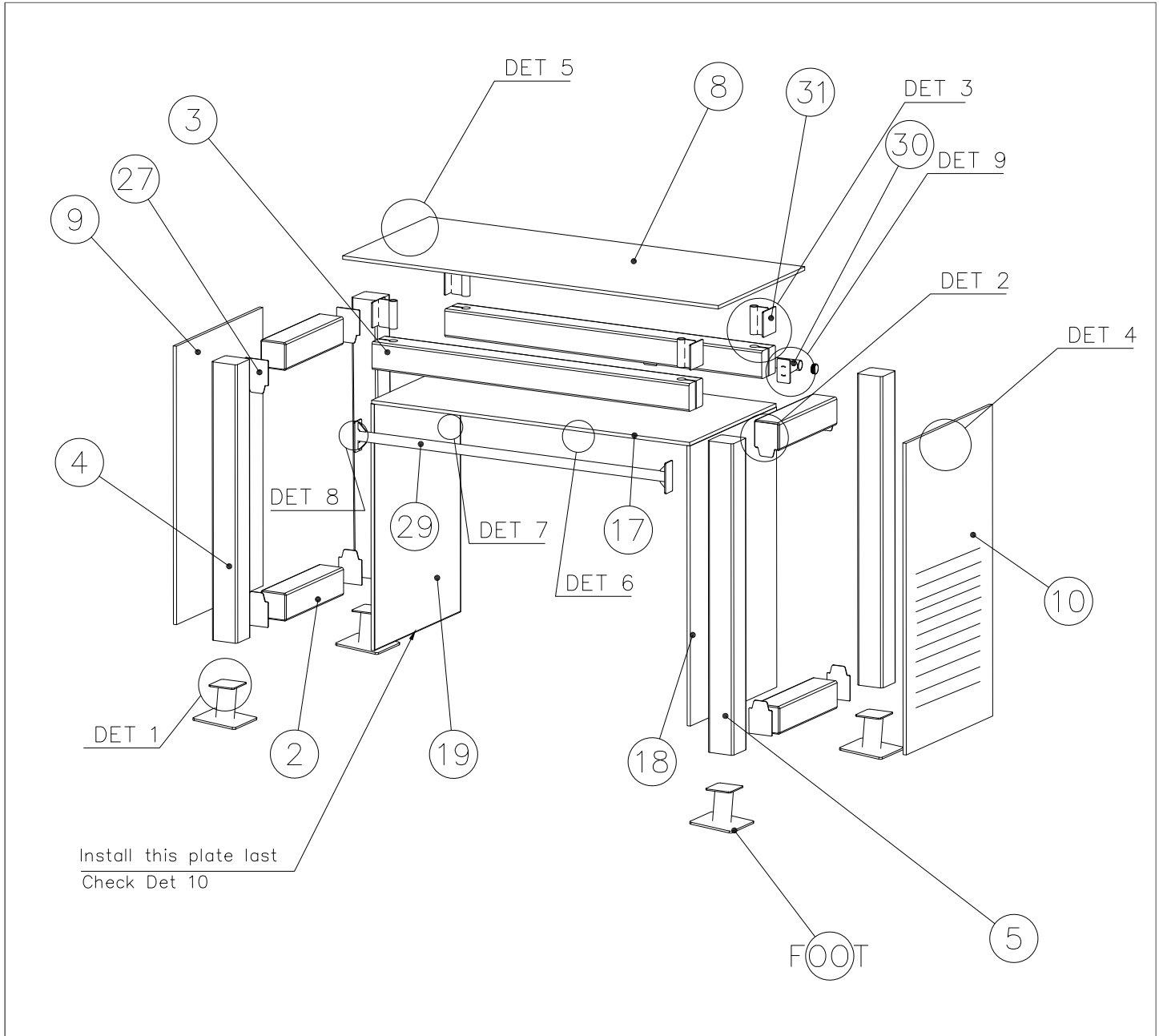


Ø8x70  
900240

DET 10

Ø8x90  
903093  
BOTH SIDE





### JIG DET A (USE DET 2-3)

**NOTE:**

Use drill jig 708857 to predrill  $\text{Ø}5 \nabla 50$  holes for 910266 and 908698

708857

910266

908698

$\text{Ø}5 \nabla 50$

### JIG DET B (USE DET 9)

Plywood

Frame

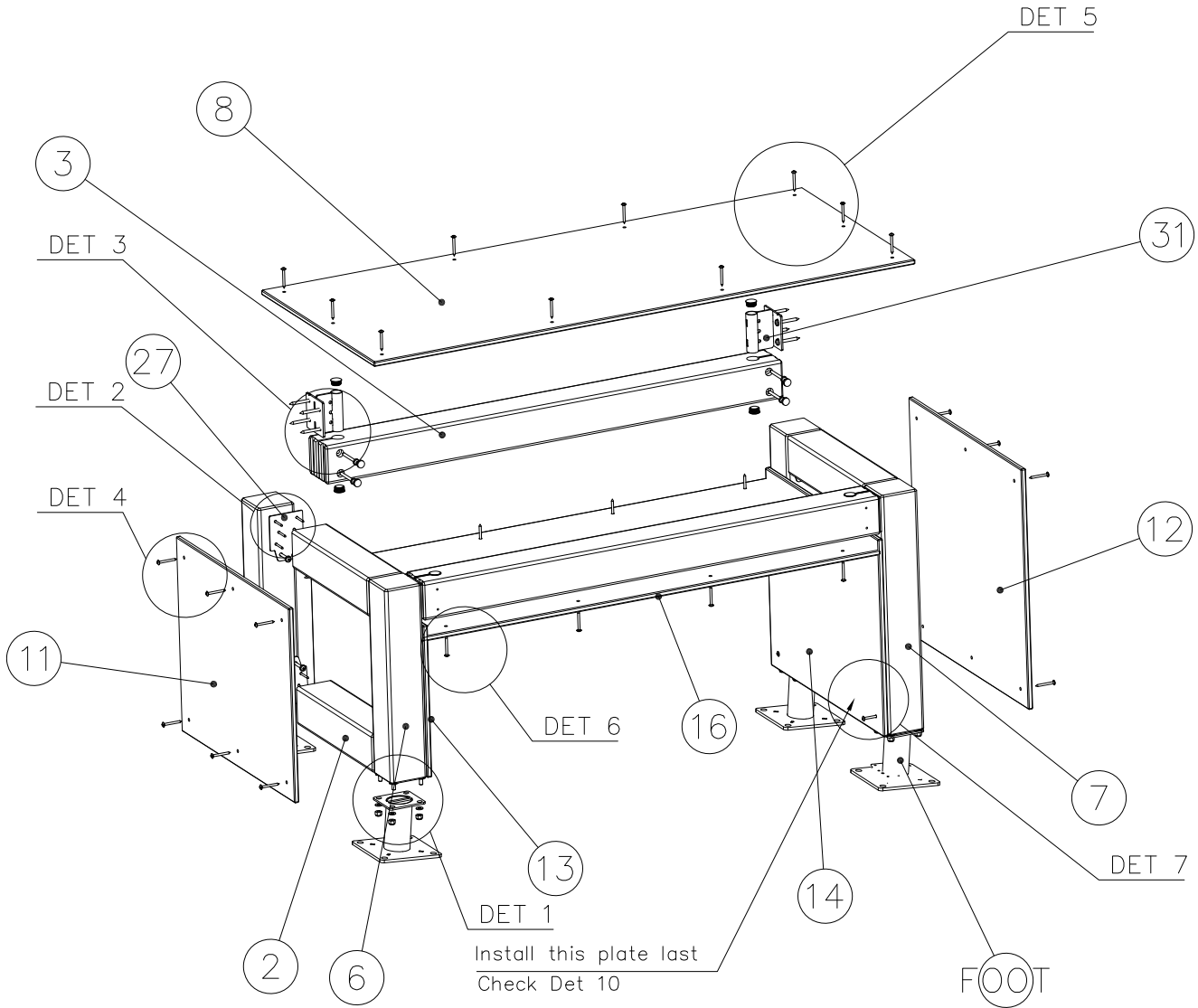
708857

910056

$\text{Ø}8 \times 70$

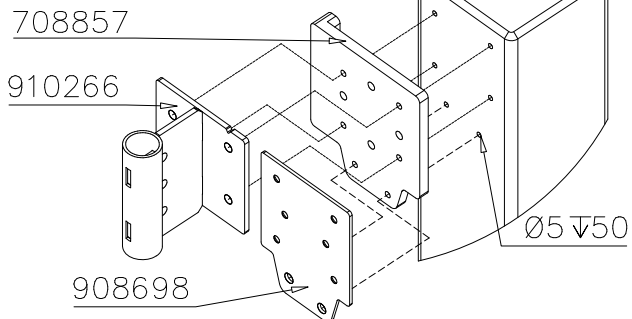
(900240)

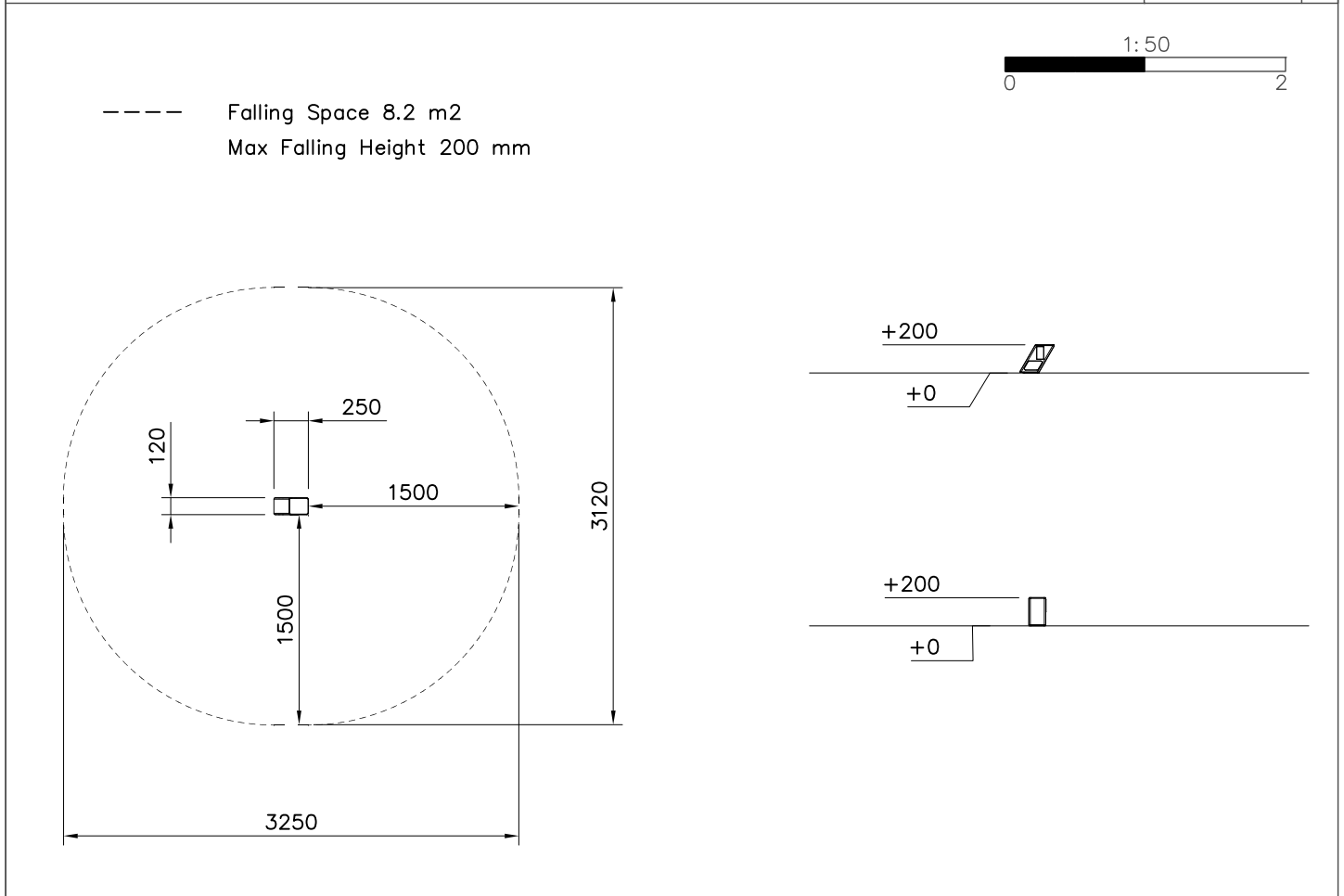
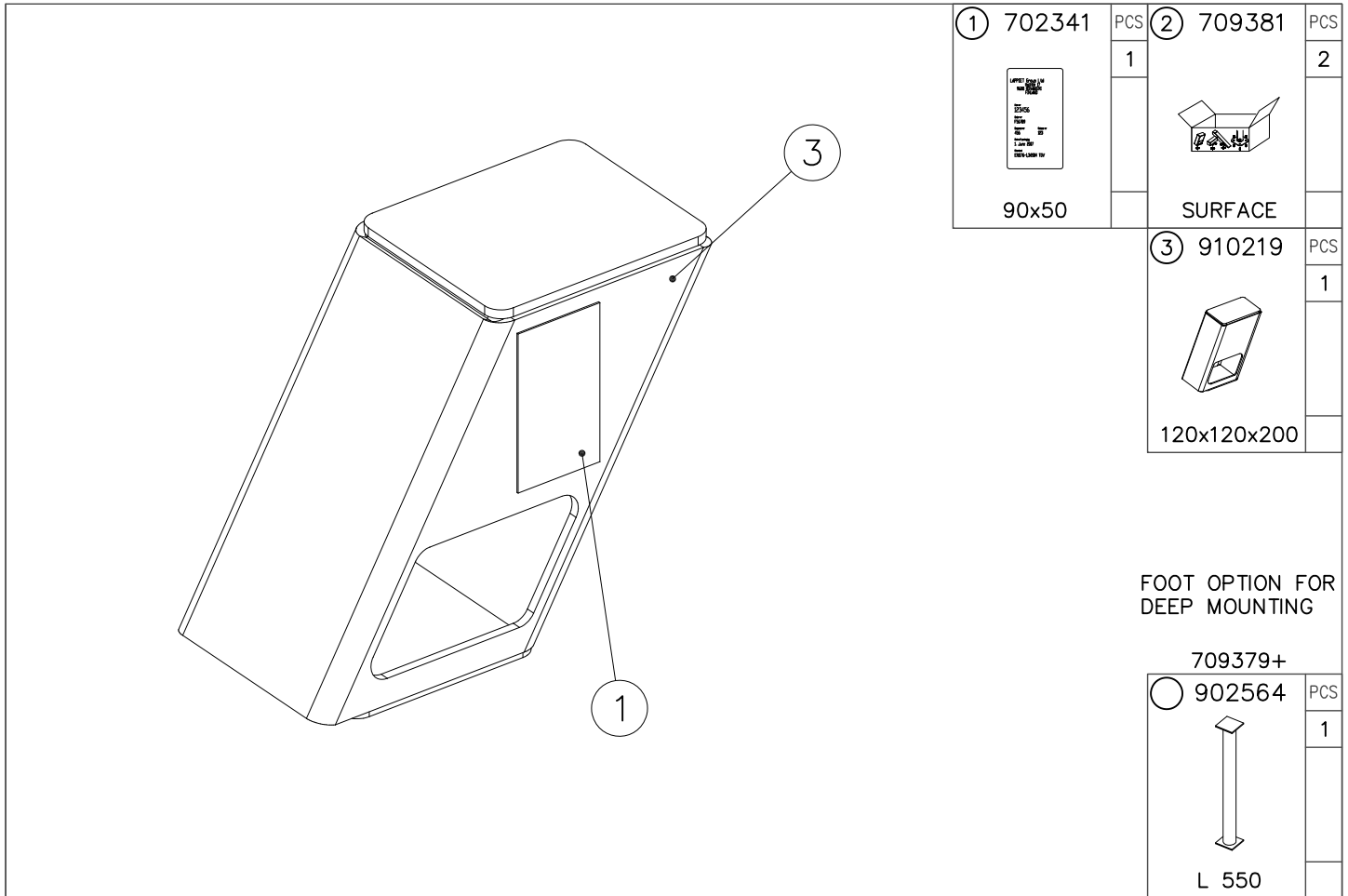
$\text{Ø}8 \nabla 15$



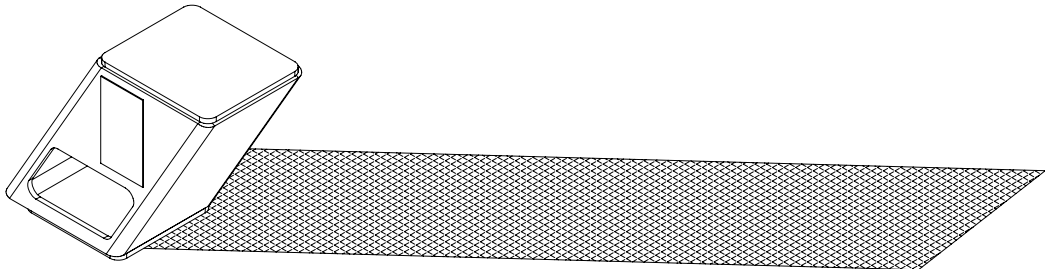
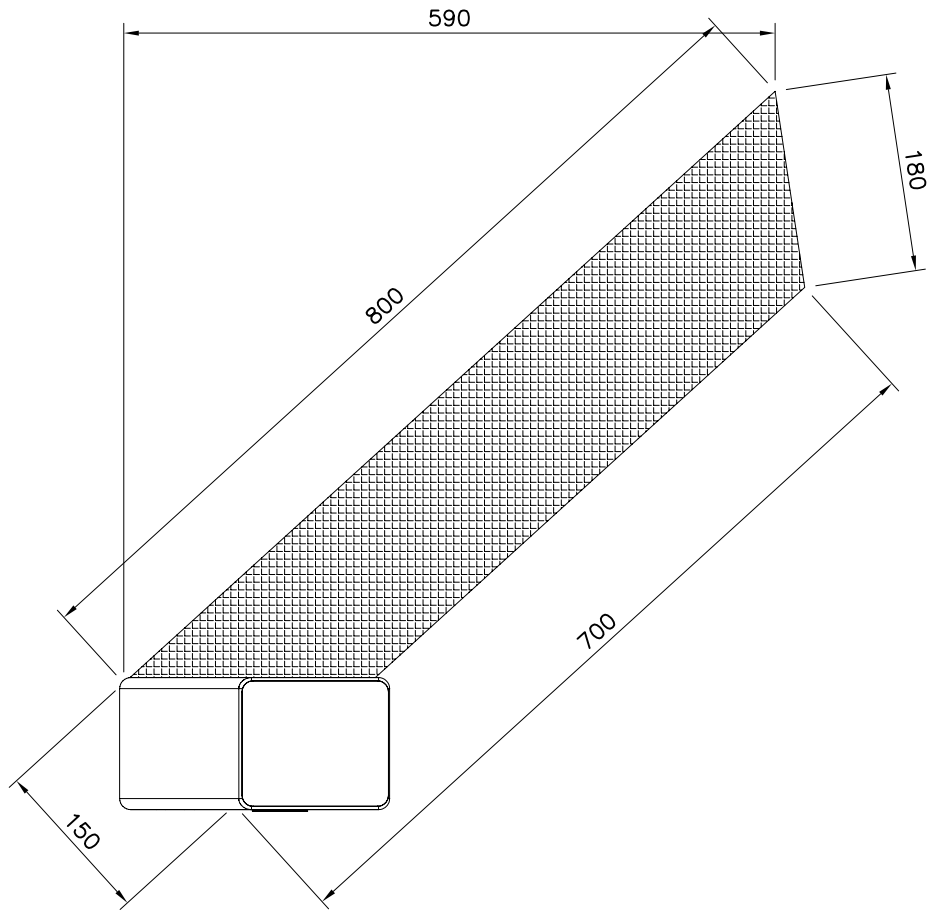
JIG DET A (USE DET 2-3)

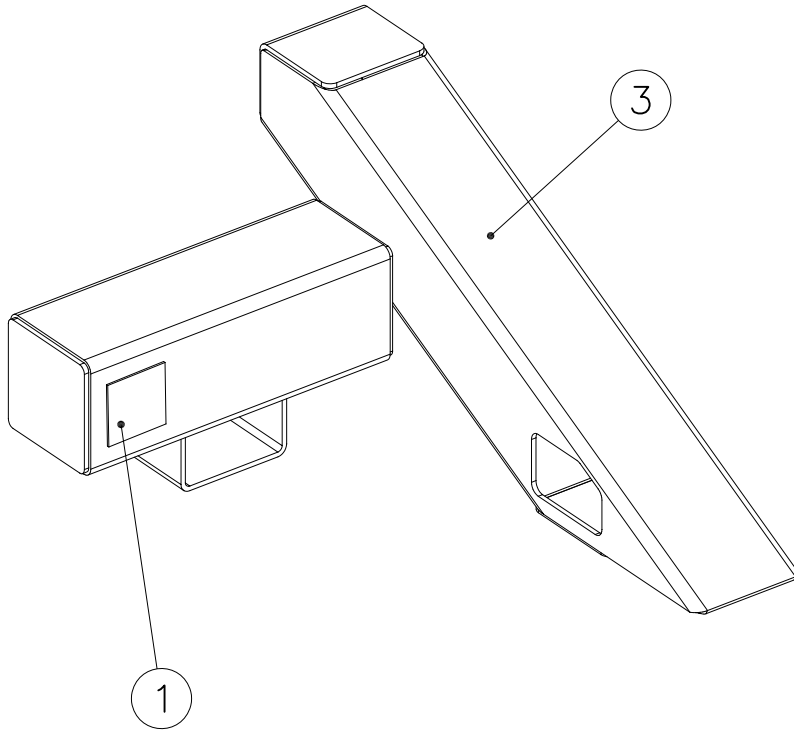
NOTE:  
Use drill jig 708857  
to predrill  $\text{Ø}5 \nabla 50$   
holes for 910266  
and 908698

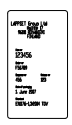



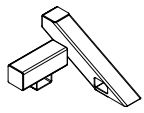


Shadow lines




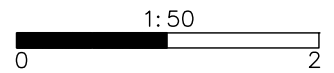


① 702341	PCS	② 709381	PCS
	1		2
90x50		SURFACE	

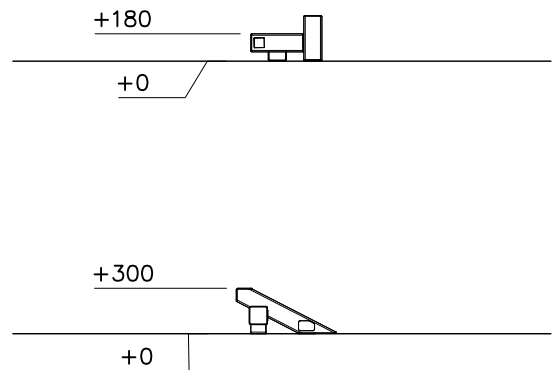
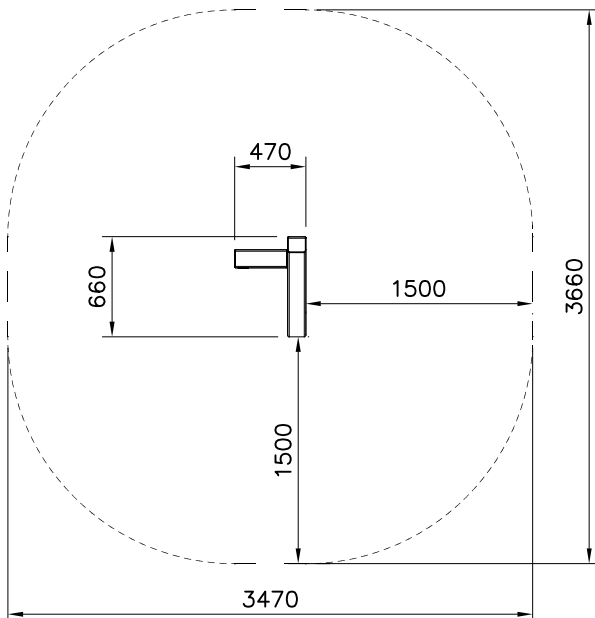
③ 910220	PCS
	1
300x470x662	

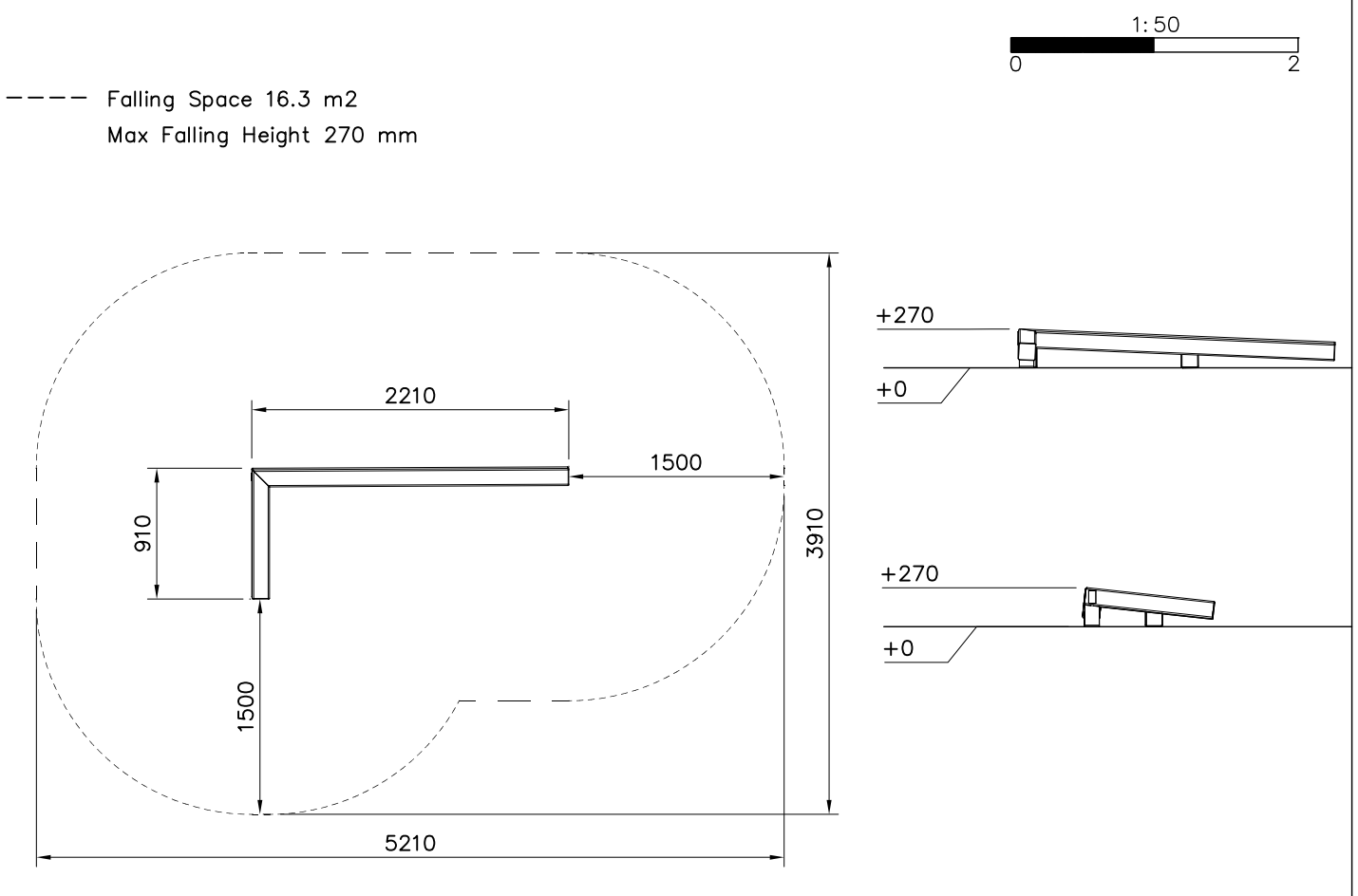
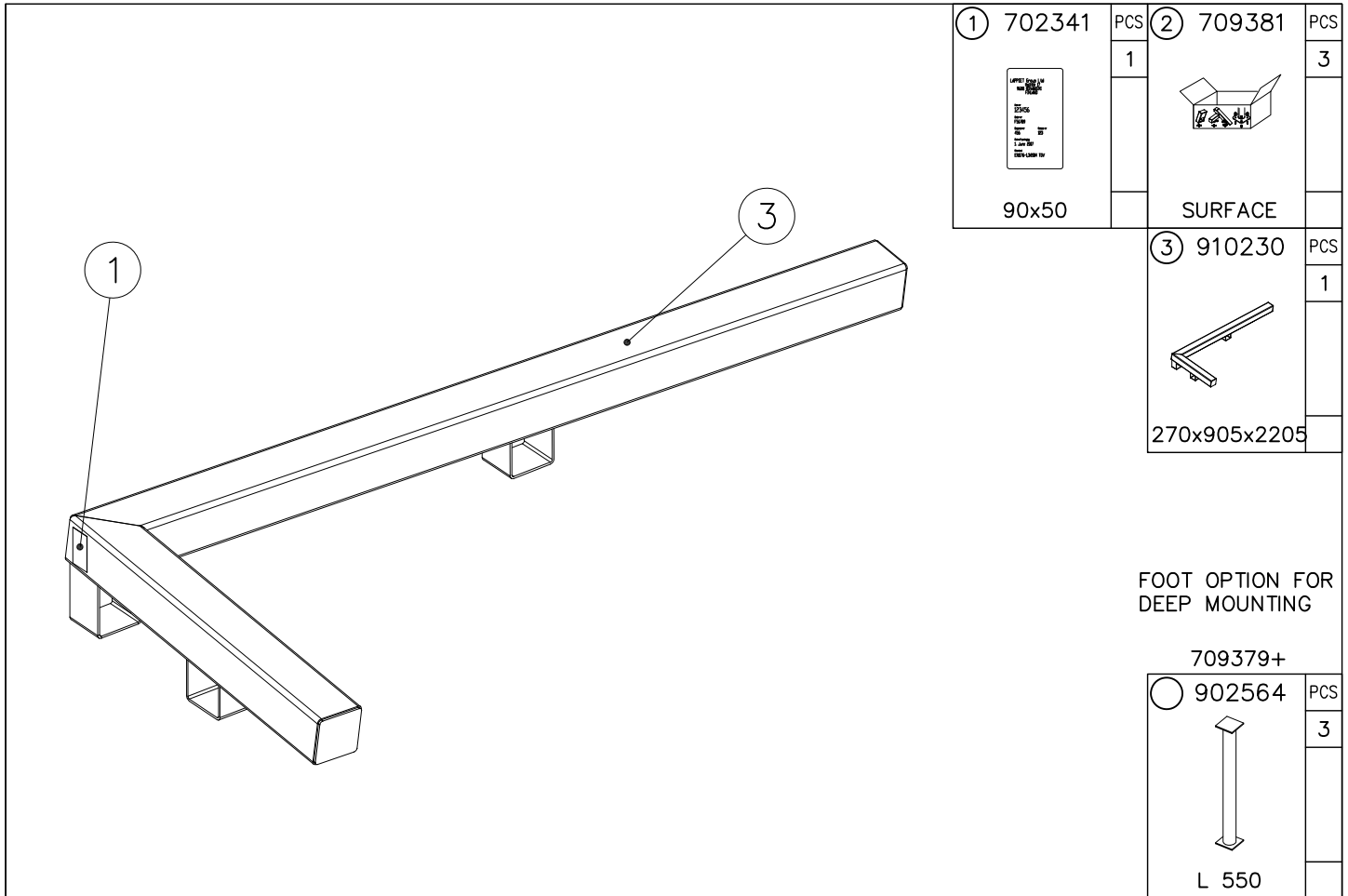
FOOT OPTION FOR DEEP MOUNTING

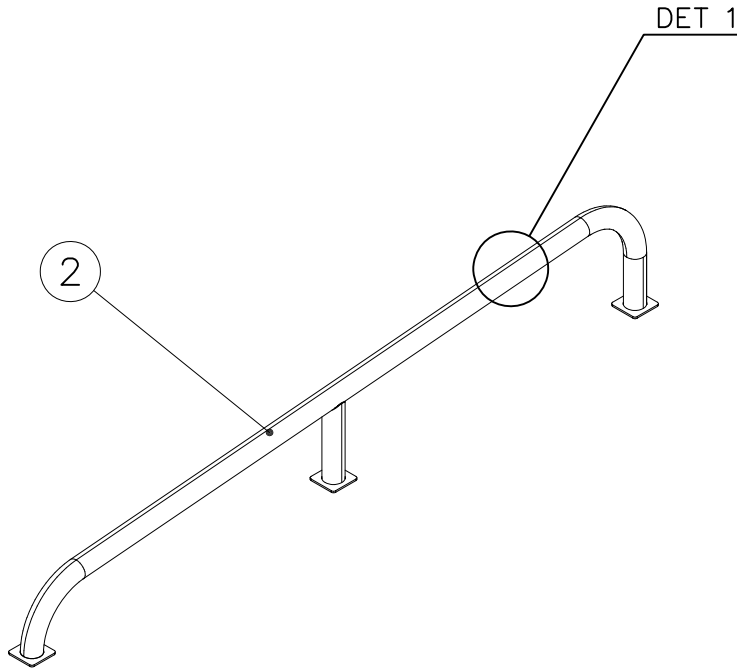
709379+	
○ 902564	PCS
	2
L 550	


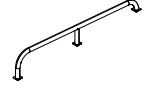
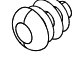


----- Falling Space 10.8 m<sup>2</sup>  
 Max Falling Height 300 mm

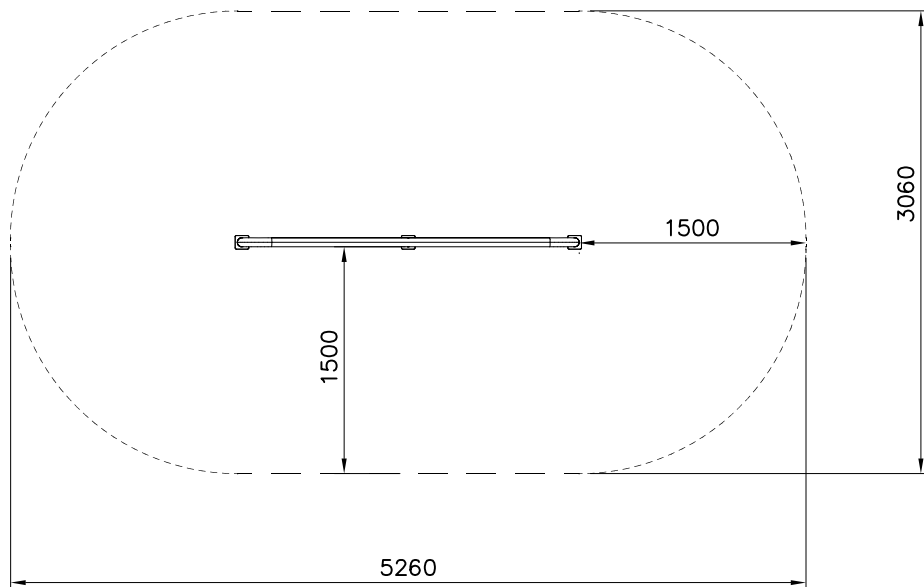
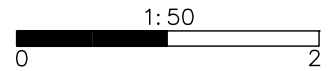


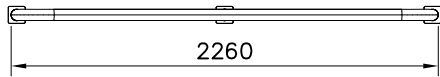
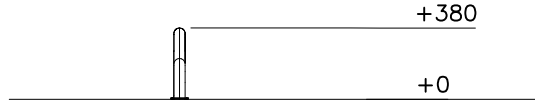
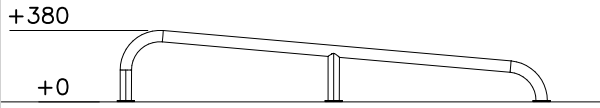




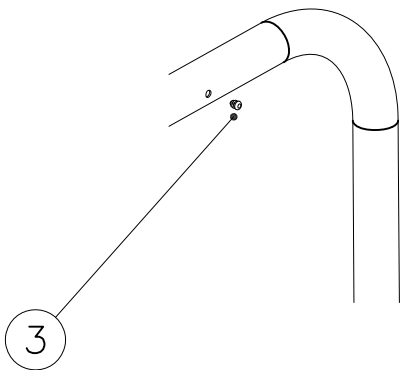
① 702341  90x50	PCS	② 910253  Ø60x376x2290	PCS
	1		1
③ 903533  SRL12	PCS		PCS
	4		

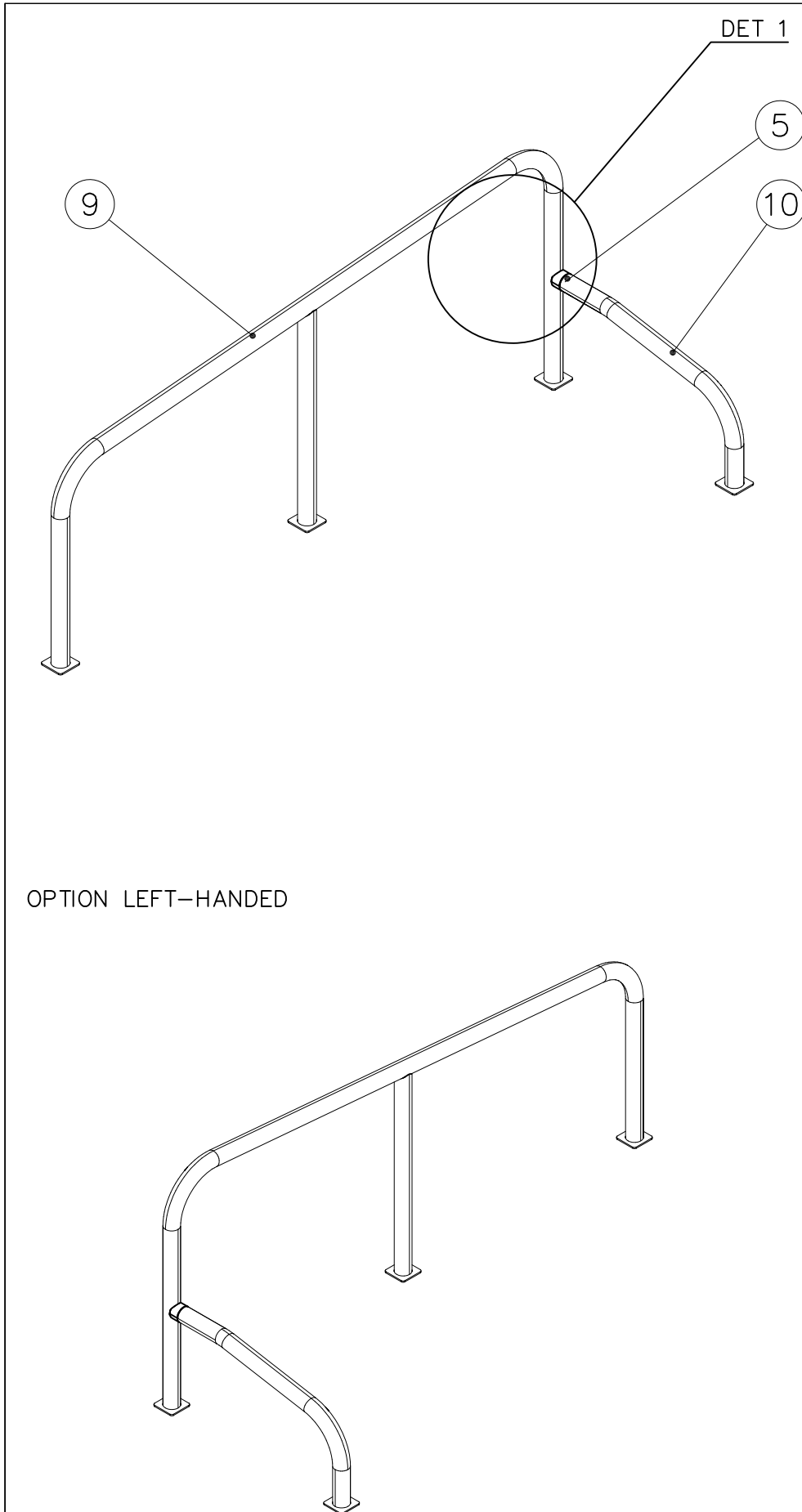
----- Falling Space 14.2 m<sup>2</sup>  
Max Falling Height 380 mm



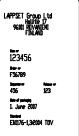


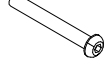
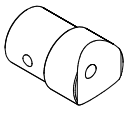



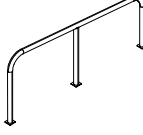
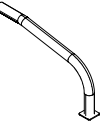



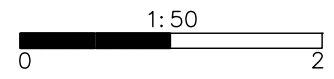
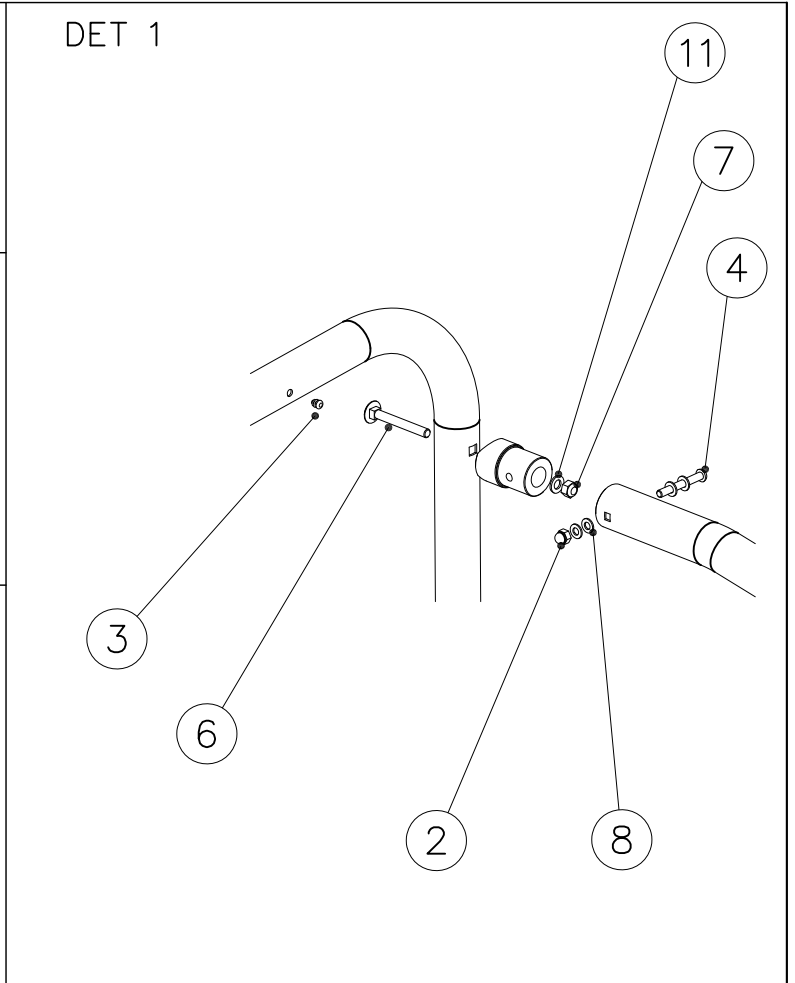
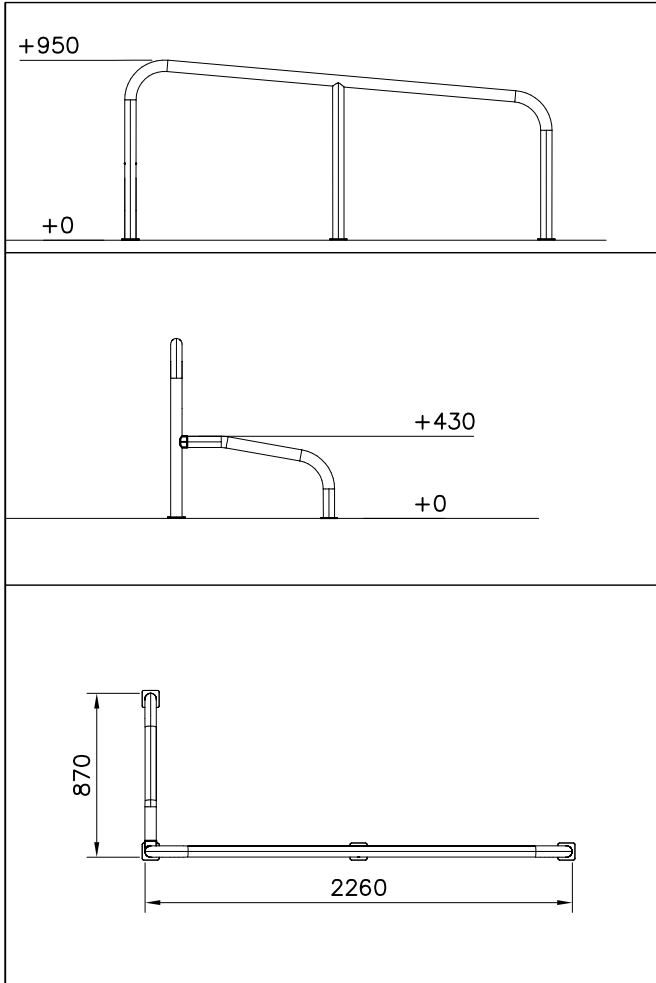
DET 1



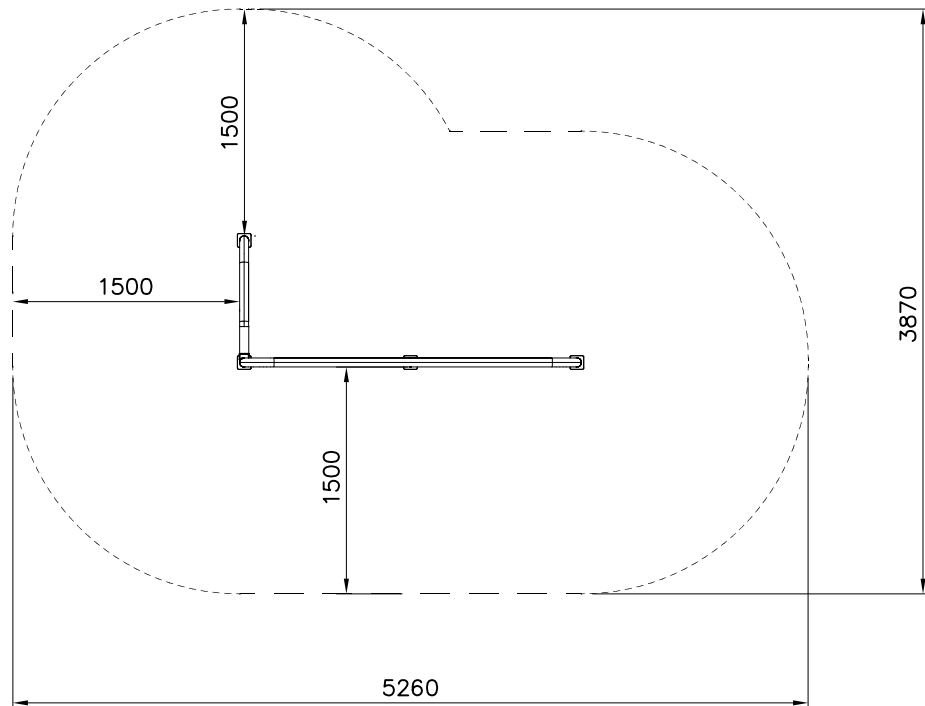


OPTION LEFT-HANDED

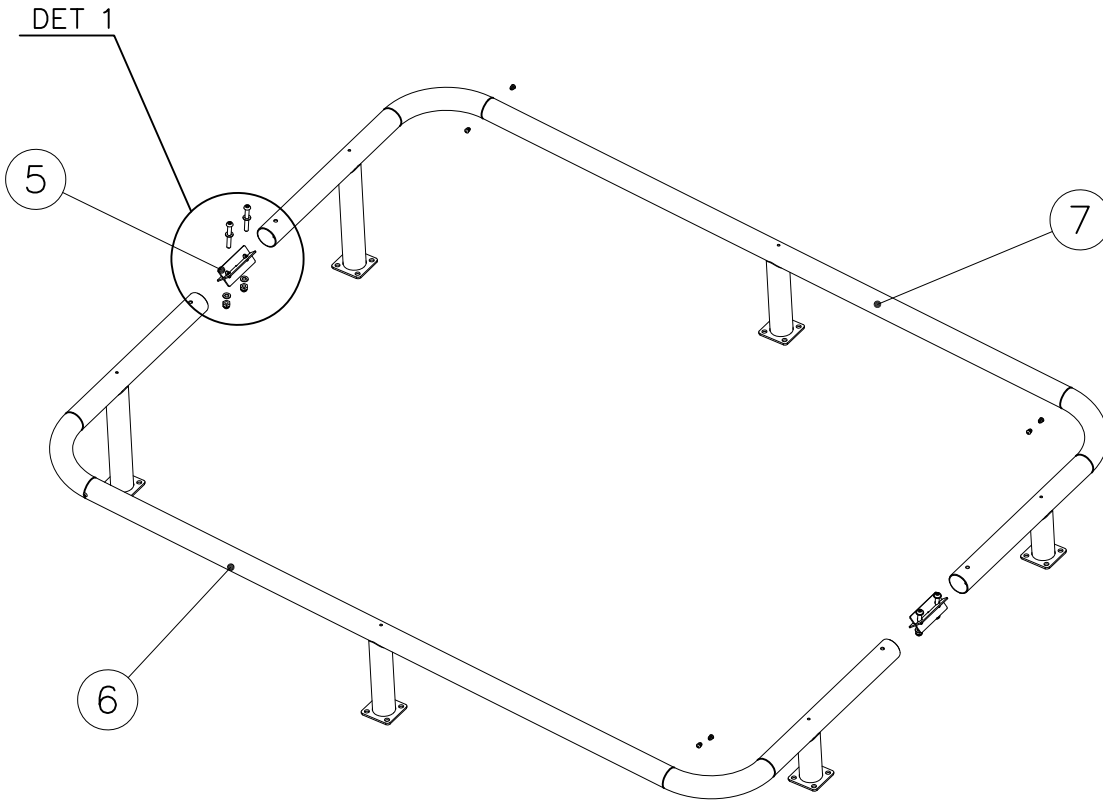
① 702341  90x50	PCS 1	② 900965  M10	PCS 1
③ 903533  SRL12	PCS 4	④ 904133  M10x80	PCS 1
⑤ 908069  Ø60x87.6	PCS 1	⑥ 909111  M12x100	PCS 1
⑦ 909248  M12	PCS 1	⑧ 909638  Ø20/10.5	PCS 4
⑨ 910255  Ø60x950x2290	PCS 1	⑩ 910262  Ø60x435x795	PCS 1
⑪ 980154  Ø24/13	PCS 1		PCS



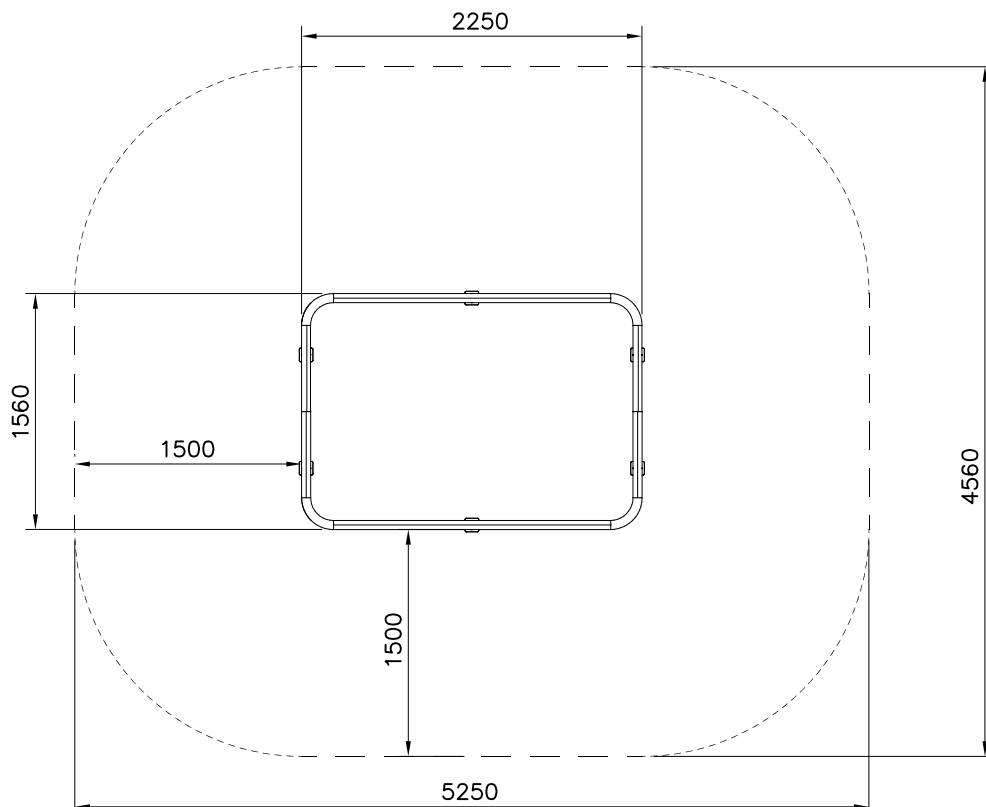
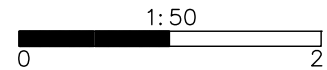
----- Falling Space 16.2 m2  
 Max Falling Height 950 mm

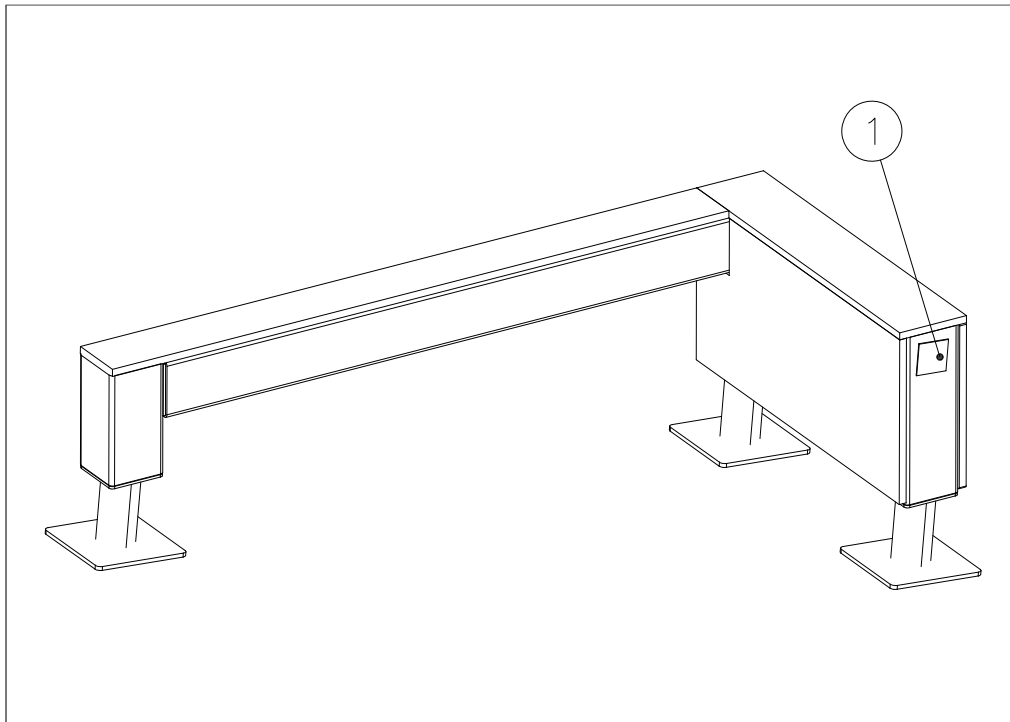




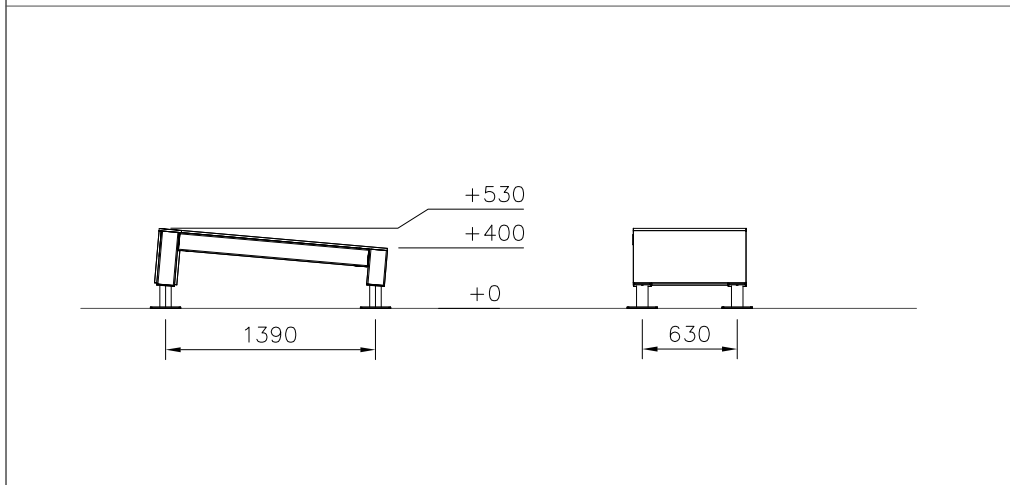


----- Falling Space 22 m2  
Max Falling Height 390 mm

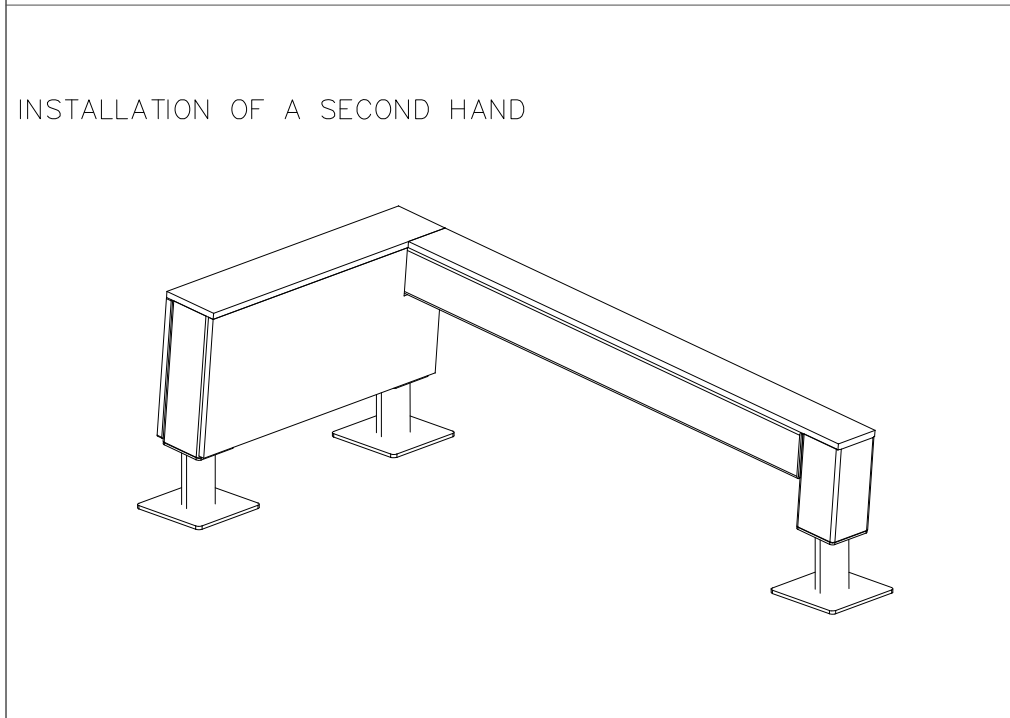







① 702286  65x65	PCS 1	② 707210  118x118x503	PCS 2
③ 707212  118x118x1254	PCS 1	④ 708347  118x118x231	PCS 1
⑤ 708443  118x118x352	PCS 2	⑥ 712621  16x346x745	PCS 1



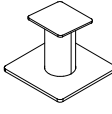
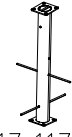
⑦ 712622  16x346x745	PCS 1	⑧ 712625  16x148x745	PCS 1
⑨ 712626  16x118x1365	PCS 1	⑩ 708857 JIG  20x133x149	PCS 1



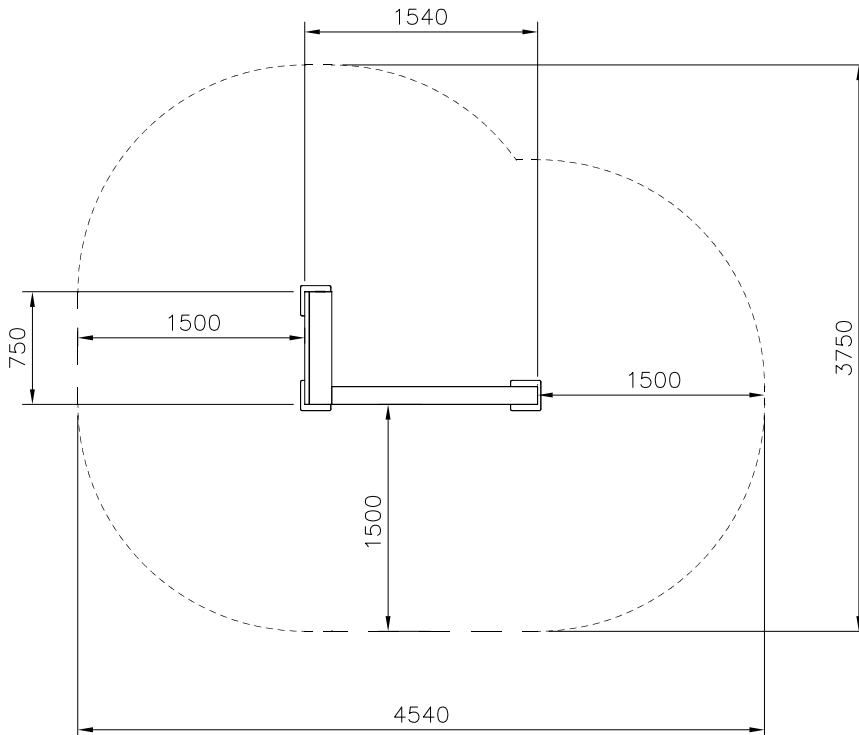
⑪ 910266  90x108x118	PCS 2	⑫ 900240  Ø8x70	PCS 16
⑬ 903093  Ø8x90	PCS 4	⑭ 905103  PT-28/32-H	PCS 2
⑮ 905112  Ø22	PCS 4	⑯ 908698  3x114x108	PCS 4

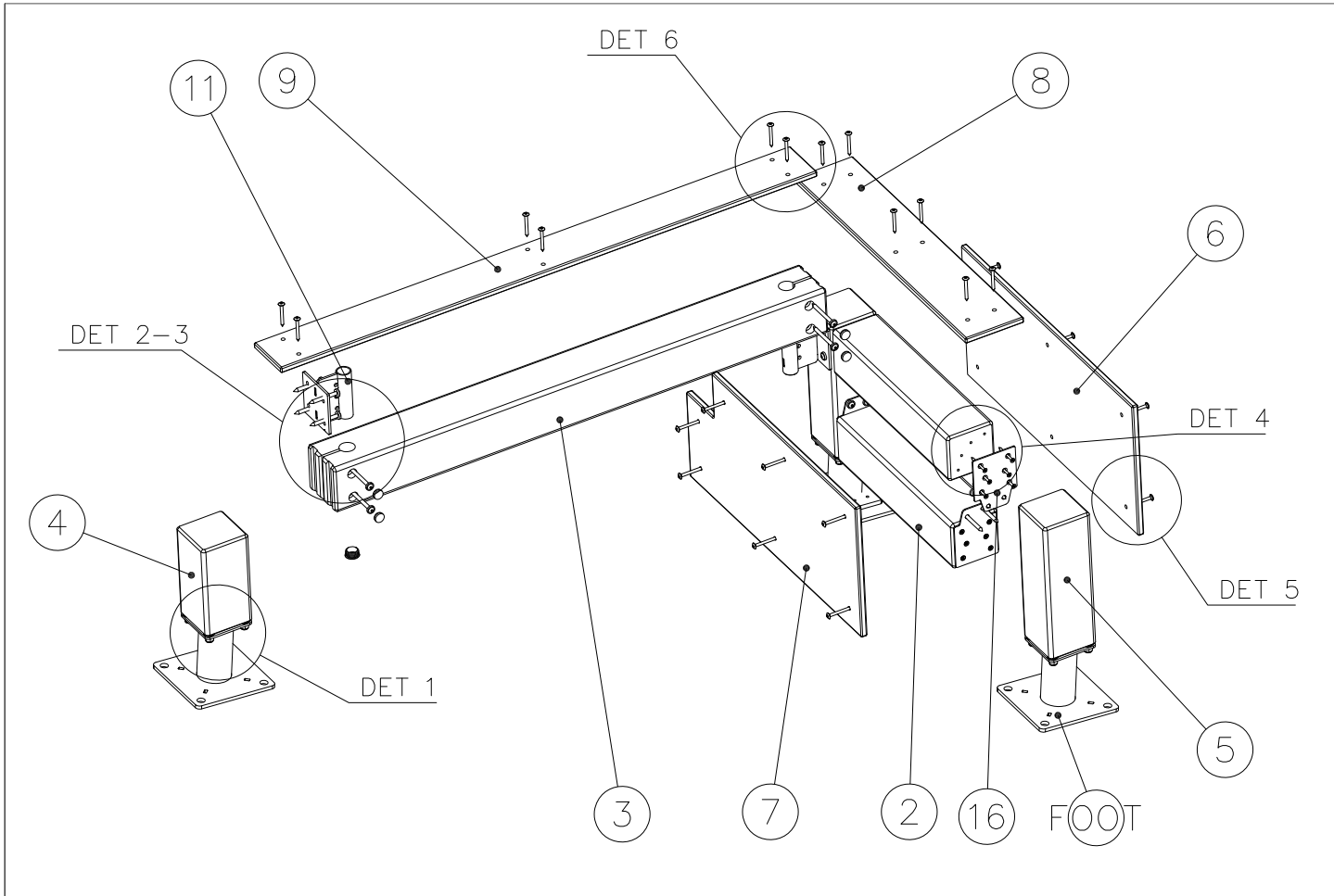
17	980100	PCS	18	980114	PCS	19	980123	PCS
		28			4			25
								
Ø5x60			Ø4x20			Ø7x60		

### FOOT OPTIONS

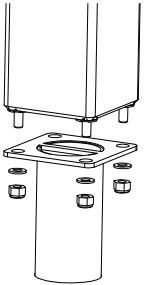
709261+		709262+	
910267	PCS	910567	PCS
SURFACE	3	CONCRETE	3
			
152x200x200		117x117x715	

----- Falling Space 13.8 m<sup>2</sup>  
Max Falling Height 530 mm

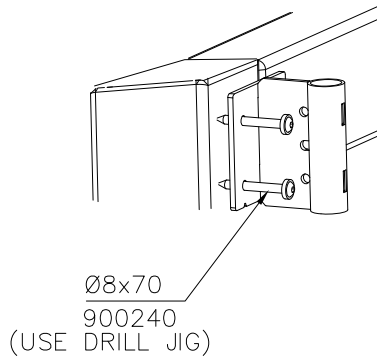




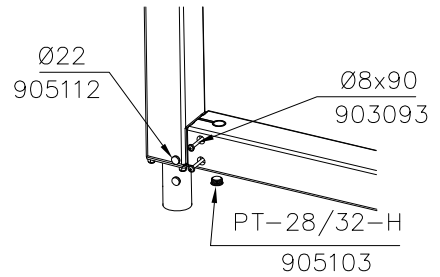
DET 1



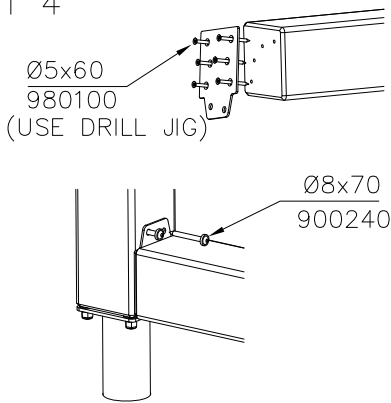
DET 2



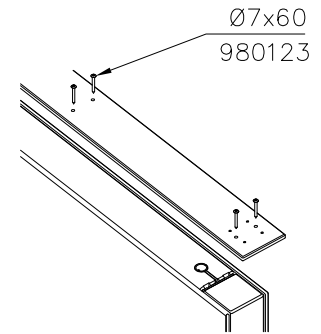
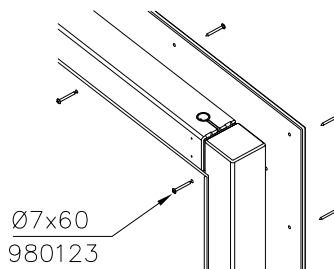
DET 3



DET 4

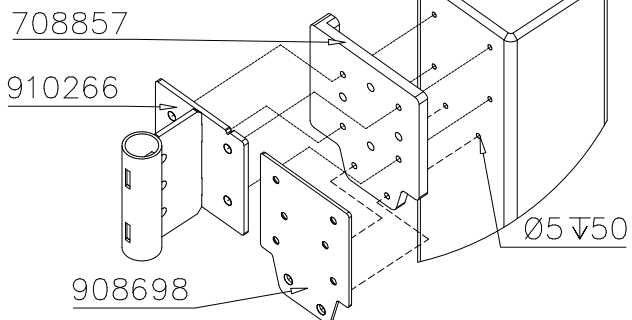


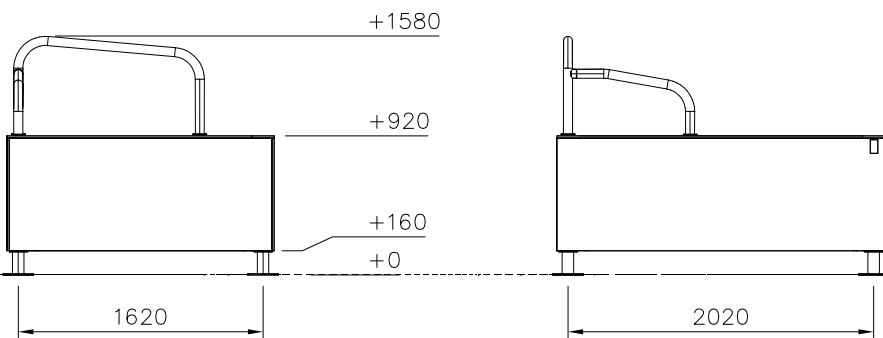
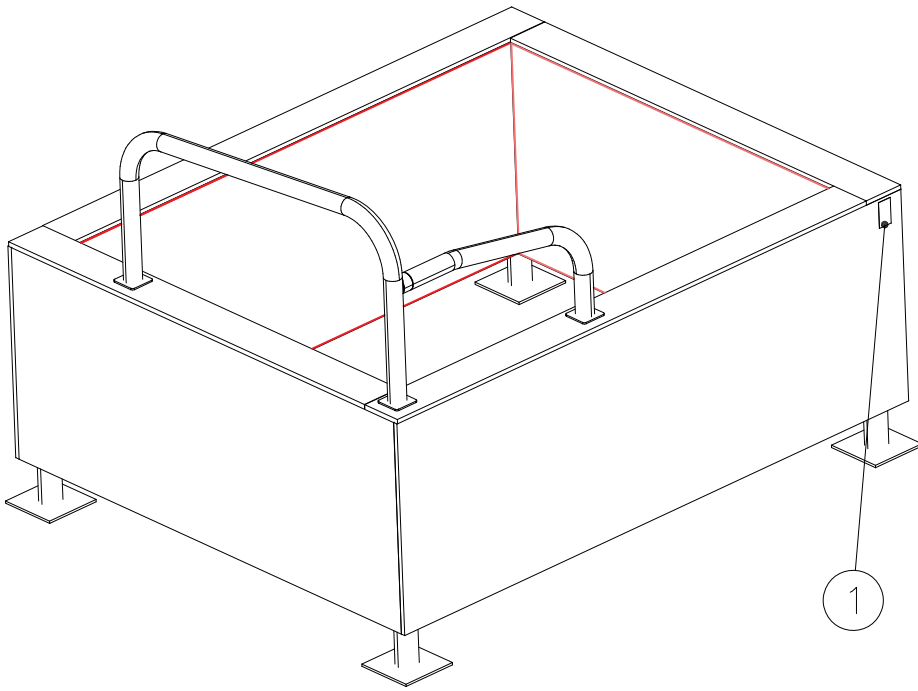
DET 5

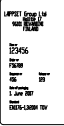
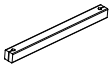
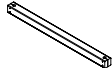

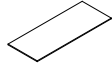
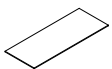
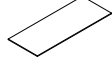


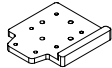








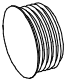

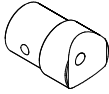



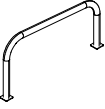
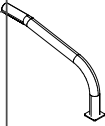
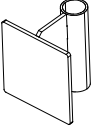



JIG DET A (USE DET 2-4)

NOTE:  
Use drill jig 708857  
to predrill  $\text{Ø}5 \nabla 50$   
holes for 910266  
and 908698

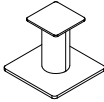
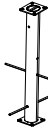




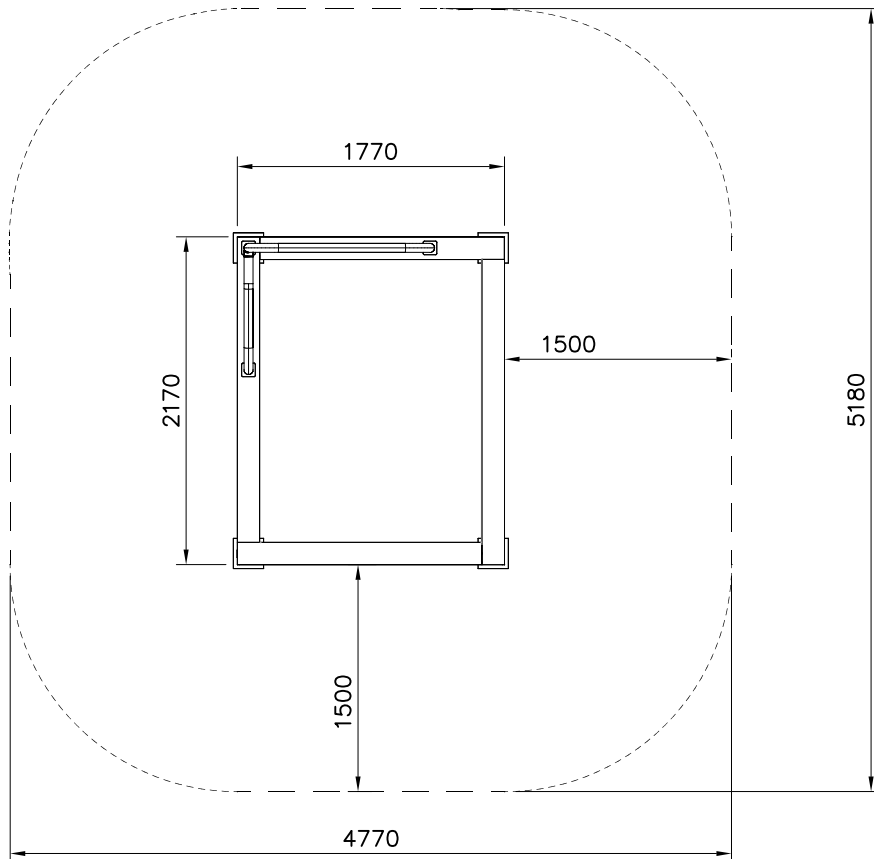
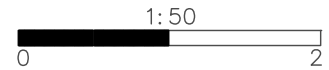
① 702341  90x50	PCS 1	② 707213  118x118x1490	PCS 4
③ 707517  118x118x1892	PCS 4	④ 708137  118x118x745	PCS 4
⑤ 713175  16x745x1736	PCS 2	⑥ 713172  16x745x2168	PCS 2
⑦ 712633  16x745x1897	PCS 1	⑧ 712634  16x148x2018	PCS 2
⑨ 712635  16x148x1616	PCS 2	⑩ 708857 JIG  20x133x149	PCS 1
⑪ 980154  Ø24/13	PCS 1	⑫ 900240  Ø8x70	PCS 64
⑬ 900965  M10	PCS 1	⑭ 903093  Ø8x90	PCS 44
⑮ 903533  SRL12	PCS 4	⑯ 904133  M10x80	PCS 1

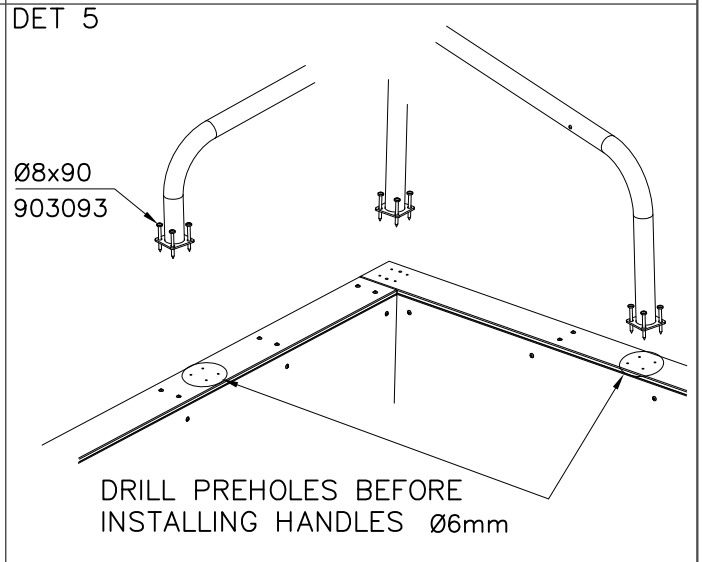
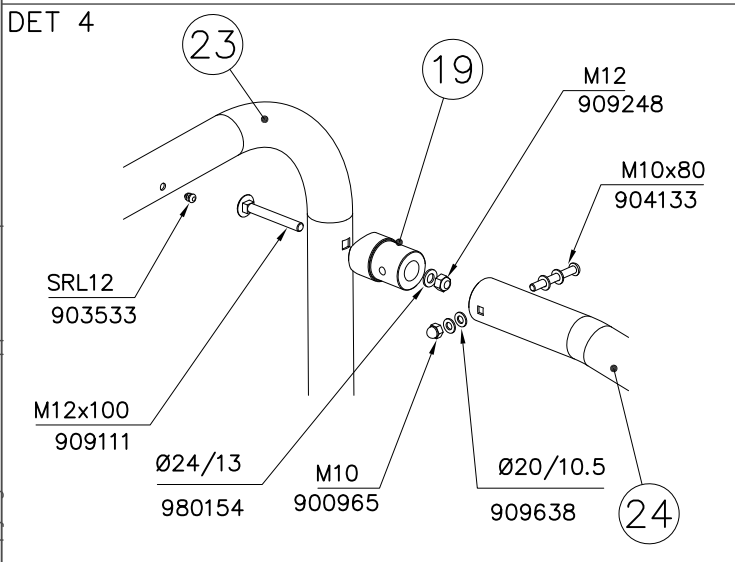
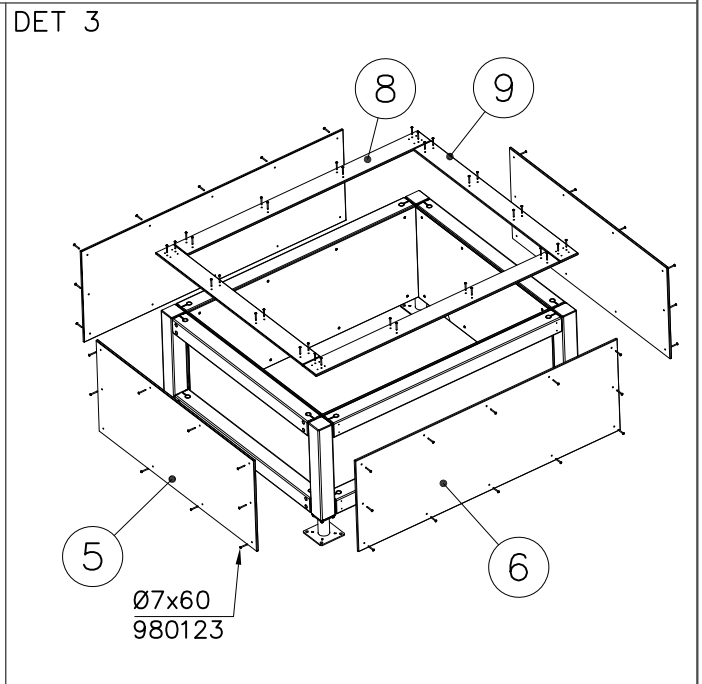
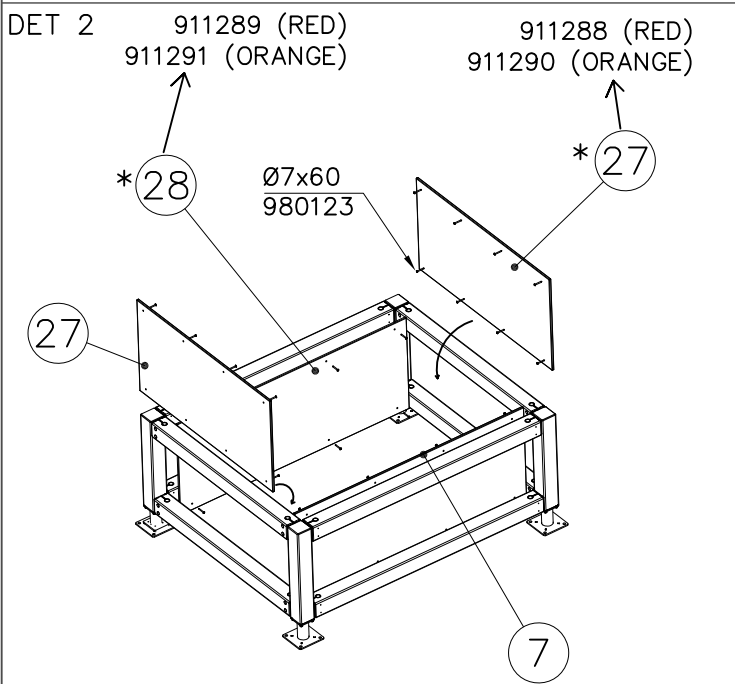
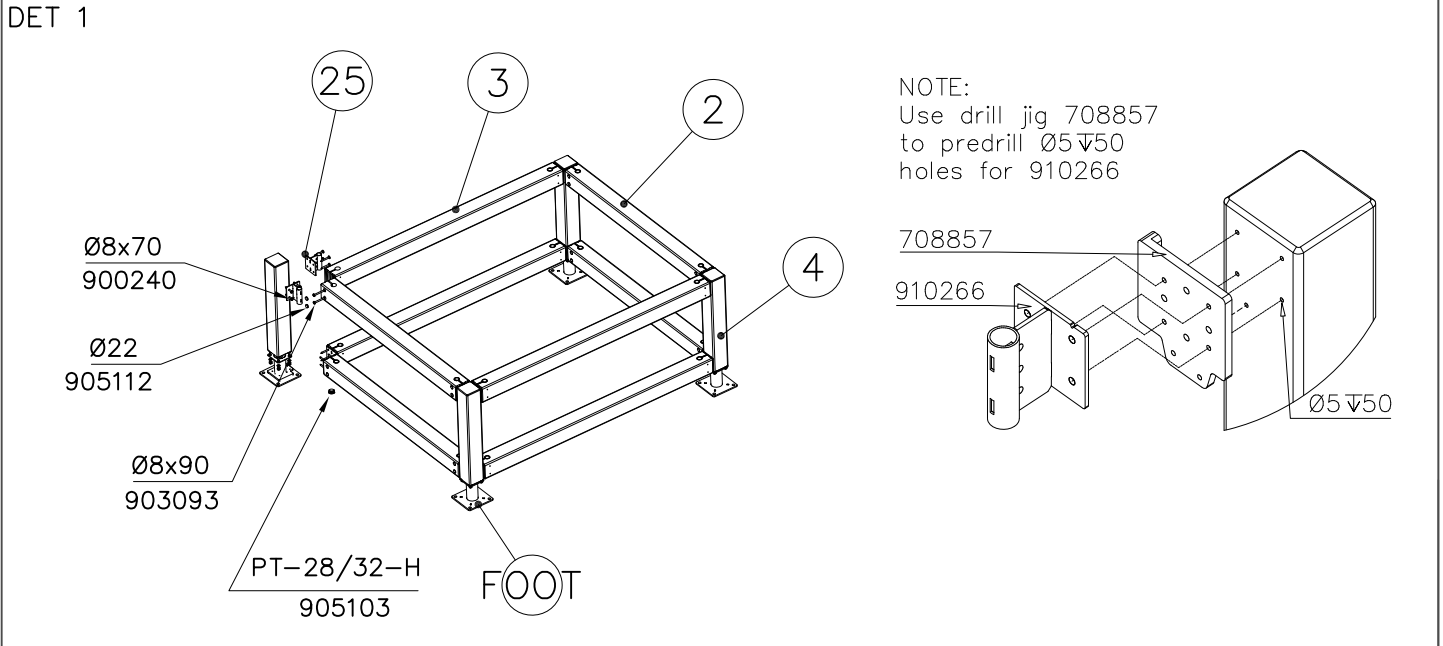
<p>⑰ 905103</p>  <p>PT-28/32-H</p>	<p>PCS 16</p>	<p>⑱ 905112</p>  <p>Ø22</p>	<p>PCS 32</p>	<p>⑲ 908069</p>  <p>Ø60x87.6</p>	<p>PCS 1</p>	<p>⑳ 909111</p>  <p>M12x100</p>	<p>PCS 1</p>	<p>㉑ 909248</p>  <p>M12</p>	<p>PCS 1</p>	<p>㉒ 909638</p>  <p>Ø20/10.5</p>	<p>PCS 4</p>
<p>㉓ 910254</p>  <p>Ø60x650x1290</p>	<p>PCS 1</p>	<p>㉔ 910262</p>  <p>Ø60x435x795</p>	<p>PCS 1</p>	<p>㉕ 910266</p>  <p>90x108x118</p>	<p>PCS 16</p>	<p>㉖ 980123</p>  <p>Ø7x60</p>	<p>PCS 108</p>	<p>㉗ 911288 COLOR</p>  <p>15x745x1465</p>	<p>PCS 2</p>	<p>㉘ 911289 COLOR</p>  <p>15x745x1897</p>	<p>PCS 1</p>
	PCS		PCS		PCS		PCS		PCS		PCS

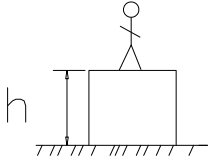
### FOOT OPTIONS

709261+		709262+	
<p>○ 910330 SURFACE</p>  <p>152x200x200</p>	<p>PCS 4</p>	<p>○ 910567 CONCRETE</p>  <p>117x117x715</p>	<p>PCS 4</p>

----- Falling Space 22.7 m<sup>2</sup>  
Max Falling Height 1580 mm







$h < 1600$

Totally hard surfaces or materials with very limited impact attenuating properties.

Case by case risk assessment is needed including e.g. evaluation whether there is forced movement, what is the intended exercise and where will the product be installed.

Materials with significant impact attenuating properties.

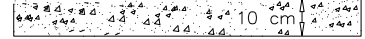
Totally hard surfaces.  
E.g. concrete or asphalt



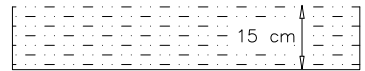
Materials with very limited impact attenuating properties.  
E.g. wood



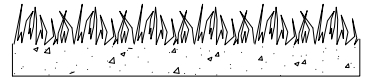
fine gravel 0–8 mm



Unsorted sand/ topsoil



Lawn

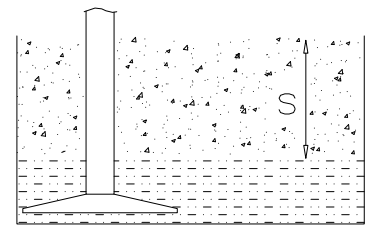


$h = 1600-$

$h < 3000$

Loose fill material

E.g.  
sand/gravel 0,25...8 mm  $D_{60}/D_{10} < 3,0$   
Woodchips 5...30 mm  
bark 20...80 mm



$\underline{S}$   
30 cm       $\underline{h}$   
< 3,0 m

Syntethic granulates

$\underline{S}$                        $\underline{h}$   
40 mm  $\sim >$  1,6... $\sim <$  1,8 m  
50 mm  $\sim >$  1,8... $\sim <$  2,25 m  
55 mm  $\sim >$  2,25... $\sim <$  2,4 m  
60 mm  $\sim >$  2,4... $\sim <$  2,55 m  
70 mm  $\sim >$  2,55... $\sim <$  3,0 m

Note. For accurate values, see manufacturer's instructions.

