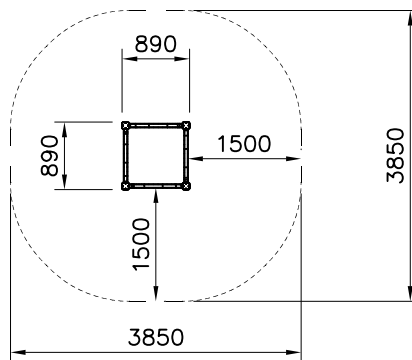
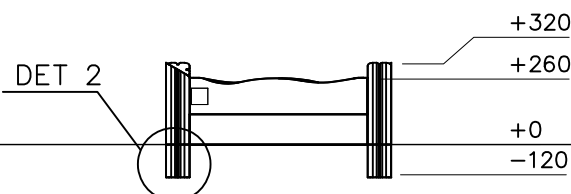


----- Falling Space 12.6 m²
Max Falling Height 260 mm

1:100

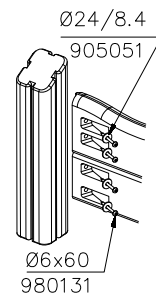


1:30



①	705211	PCS	②	705381	PCS
		4			4
L=724			L 450		
③	706439	PCS	④	980131	PCS
		4			32
L 704			Ø6x60		
⑤	905051	PCS	⑥	909506	PCS
		32			4
Ø24/8.4			Ø3.5x13		
		PCS	⑦	702286	PCS
					1
			65x65		

DET 1



DET 2

Sand 0.2–2 mm/
Gravel 2–8 mm

