



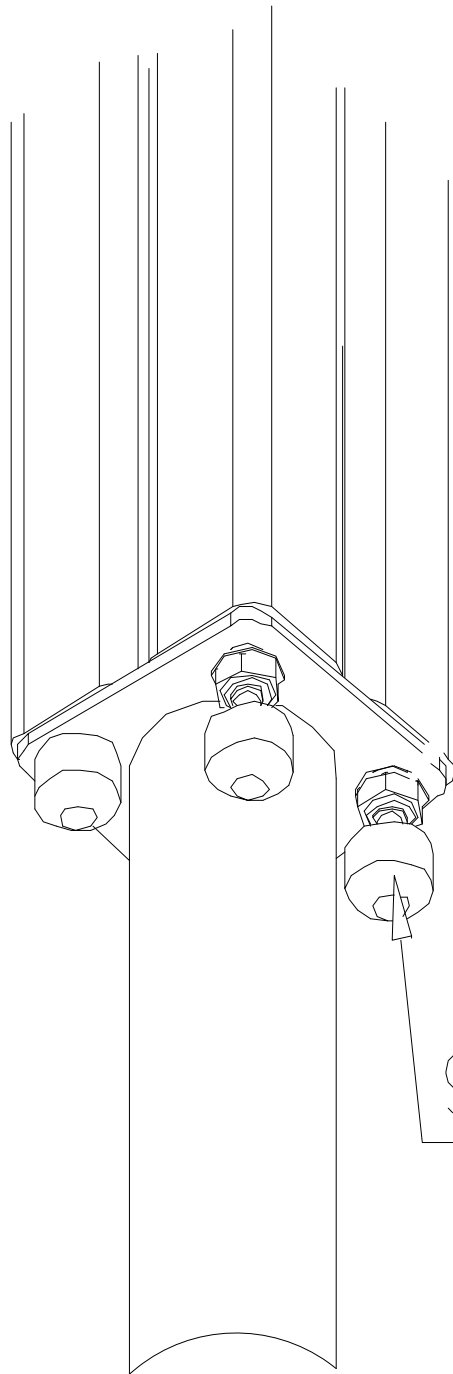
LAPPSET®
BETON FOUNDATION

FOOT

DATE: 27.10.2015

1(1)

| | | | |
|--|-----|--|-----|
| ② 905104 | PCS | | PCS |
| | 4 | | |
|  M10 | PCS | | PCS |
| | | | |



905104

LAPPSET® DEEP FOUNDATION

FOOT

DATE: 15.5.2018

1(1)



| | | | | | |
|-------------|-----------|-----|------------|--------|-----|
| ① | 909511 | PCS | ② | 909519 | PCS |
| | | 1 | | 1 | |
| | 90x90x650 | | 50x380x380 | | |
| ③ | 909637 | PCS | ④ | 909638 | PCS |
| | | 4 | | 8 | |
| | M10 | | Ø20/10.5 | | |
| ⑤ | 909639 | PCS | ⑥ | 905104 | PCS |
| | | 4 | | 4 | |
| | M10x25 | | M10 | | |
| OPTION FOOT | | | | | |
| ① | 911155 | PCS | | | PCS |
| | | 1 | | | |
| | 90x90x650 | | | | |

LAPPSET

DEEP FOUNDATION

SLIDE WOOD

DATE: 22.5.2015

1(1)





SLIDE OPTIONS

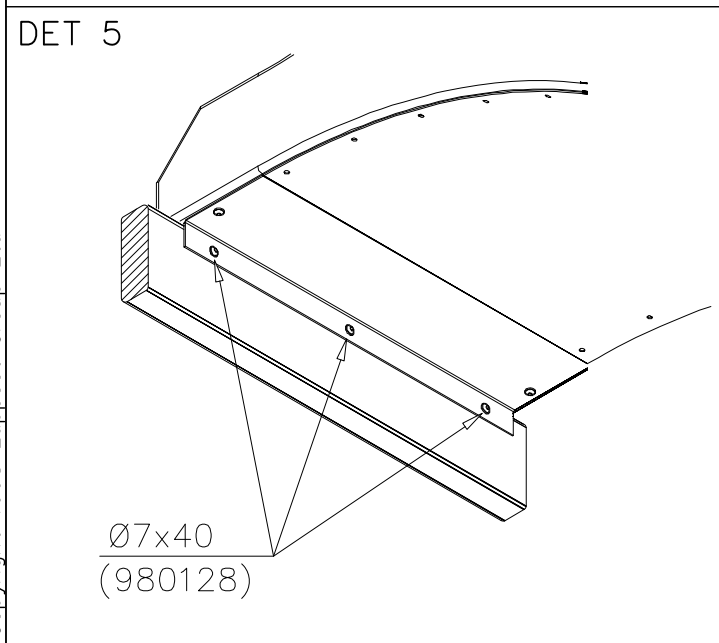
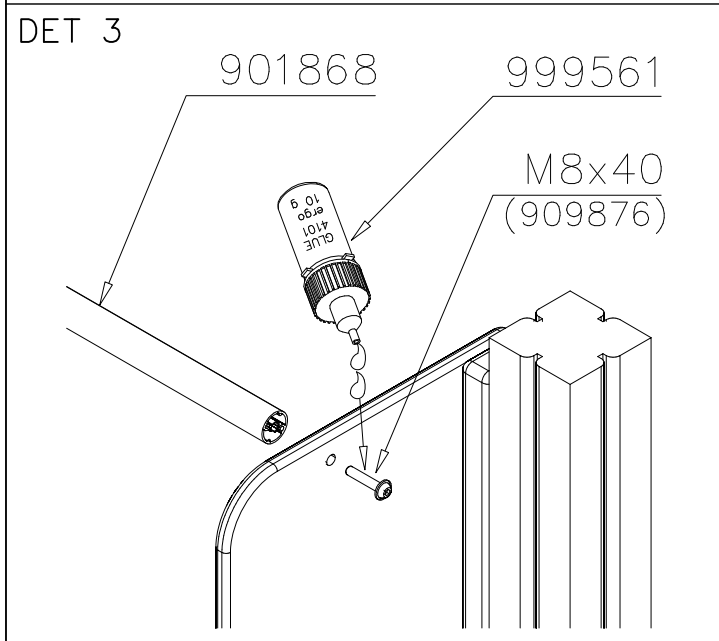
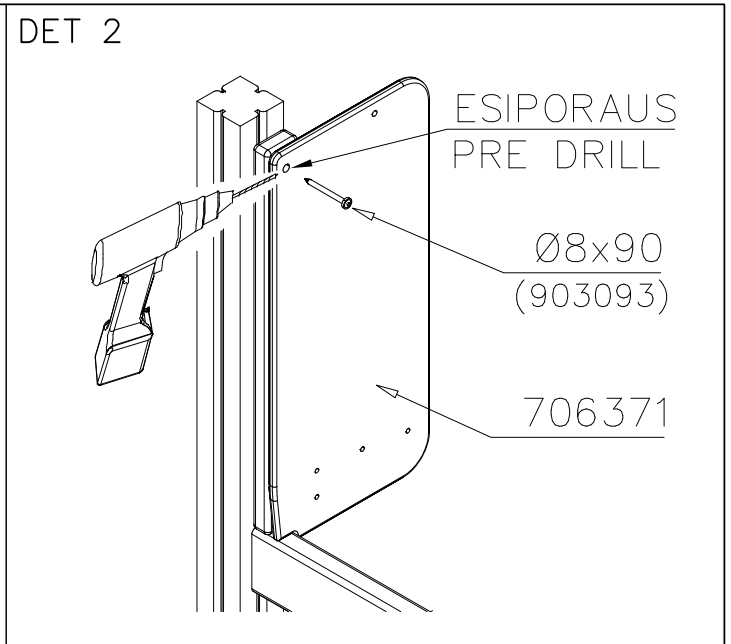
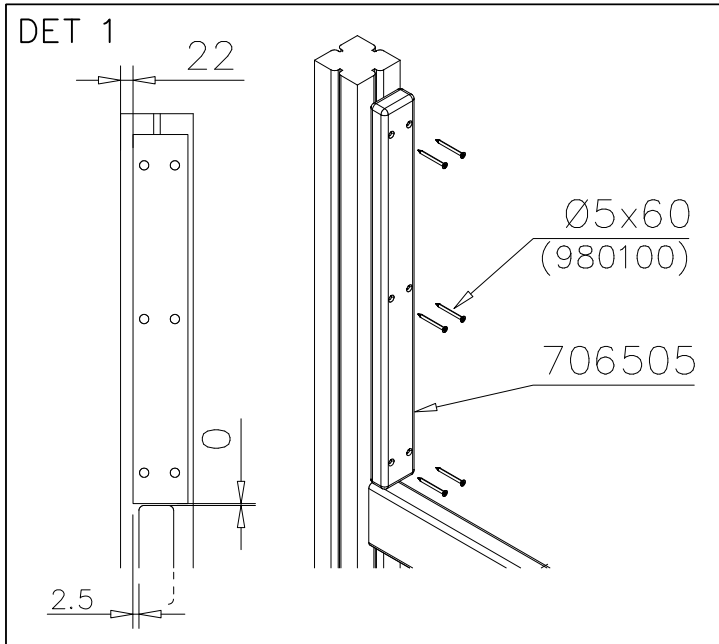
| | | |
|---|---|--|
| <p>706450 +1470</p>  | <p>706450-602 DARK BROWN 706450-603 LIGHT BROWN 706450-604 LIGHT GRAY</p> | |
| <p>706452 +870</p>  | <p>706452-602 DARK BROWN 706452-603 LIGHT BROWN 706452-604 LIGHT GRAY</p> | |

WALL OPTIONS

| | | |
|---|--|---|
| <p>706371</p>  | <p>706371-701 BLUE 706371-702 YELLOW 706371-703 LIME 706371-704 DRARK GRAY 706371-705 LIGHT GRAY 706371-706 RED</p> | <p>706371-707 GREEN 706371-708 FUXIA</p> |
|---|--|---|

| | | | | | | | | | | | |
|--|-----|---|-----|---|-----|---|-----|--|-----|---|-----|
| ○ SLIDE | PCS | ○ SLIDE | PCS | ○ 706371 | PCS | ○ 706505 | PCS | ○ 901868 | PCS | ① 903093 | PCS |
|  | 1 |  | 1 |  | 2 |  | 2 |  | 1 |  | 2 |
| +1470 | | +870 | | 15x345x750 | | 35x70x730 | | Ø34x598 | | Ø8x90 | |
| ② 909876 | PCS | ③ 980100 | PCS | ④ 980128 | PCS | ⑤ 999561 | PCS | | | | |
|  | 2 |  | 12 |  | 11 |  | 1 | | | | |
| M8x40 | | Ø5x60 | | Ø7x40 | | 10g | | | | | |





LAPPSET

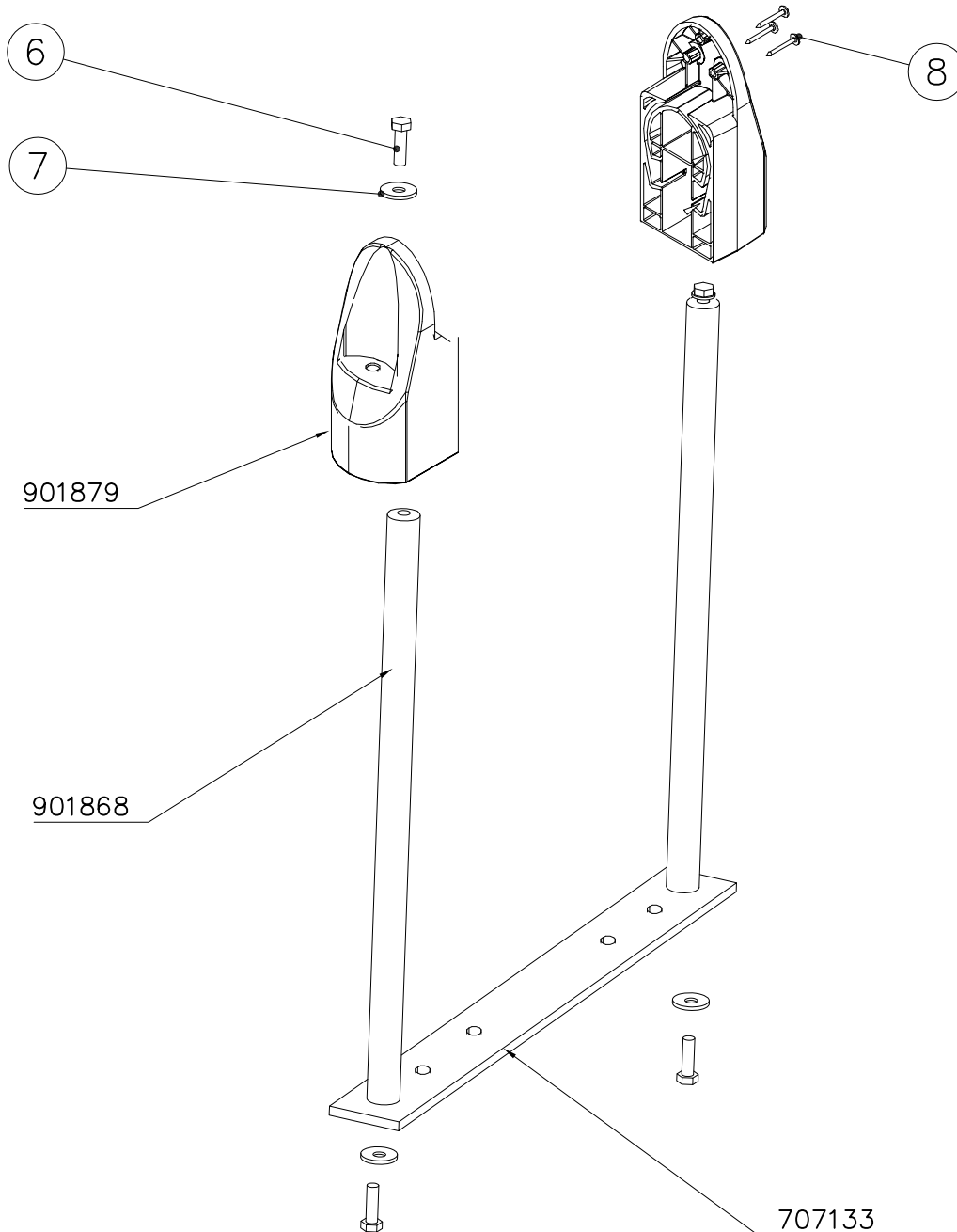
DEEP FOUNDATION

SLIDE WOOD

DATE: 3.11.2017

4(5)

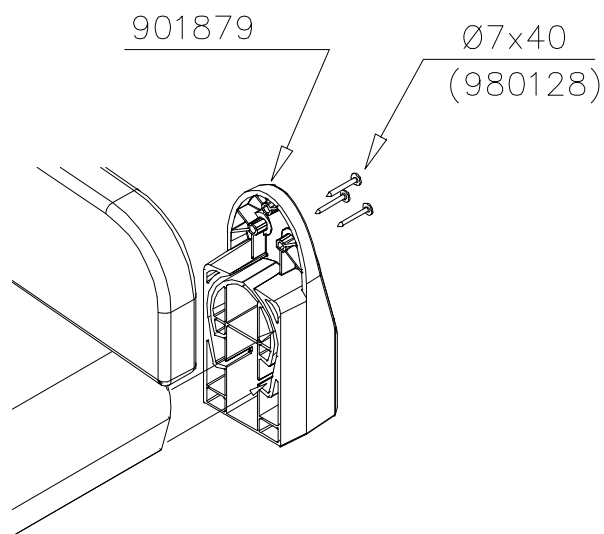
| | | | | | | | | | | | |
|--|-----|---|-----|---|-----|---|-----|--|-----|---|-----|
| ○ 707133 | PCS | ○ 901868 | PCS | ○ 901879 | PCS | ⑥ 909210 | PCS | ⑦ 905051 | PCS | ⑧ 980128 | PCS |
|  | 1 |  | 2 |  | 2 |  | 4 |  | 4 |  | 6 |
| 10x80x745 | | Ø30x598 | | | | M8x40 | | Ø24/8.4 | | Ø7x40 | |



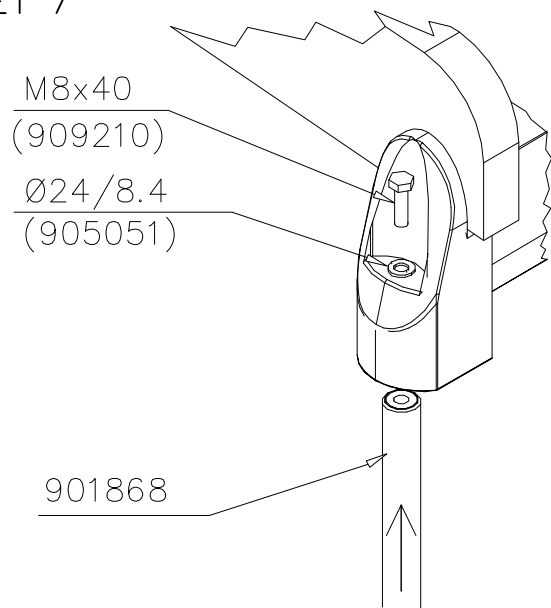
DET 6



Insert sheet metal IN to the plastic cover.



DET 7



DET 8

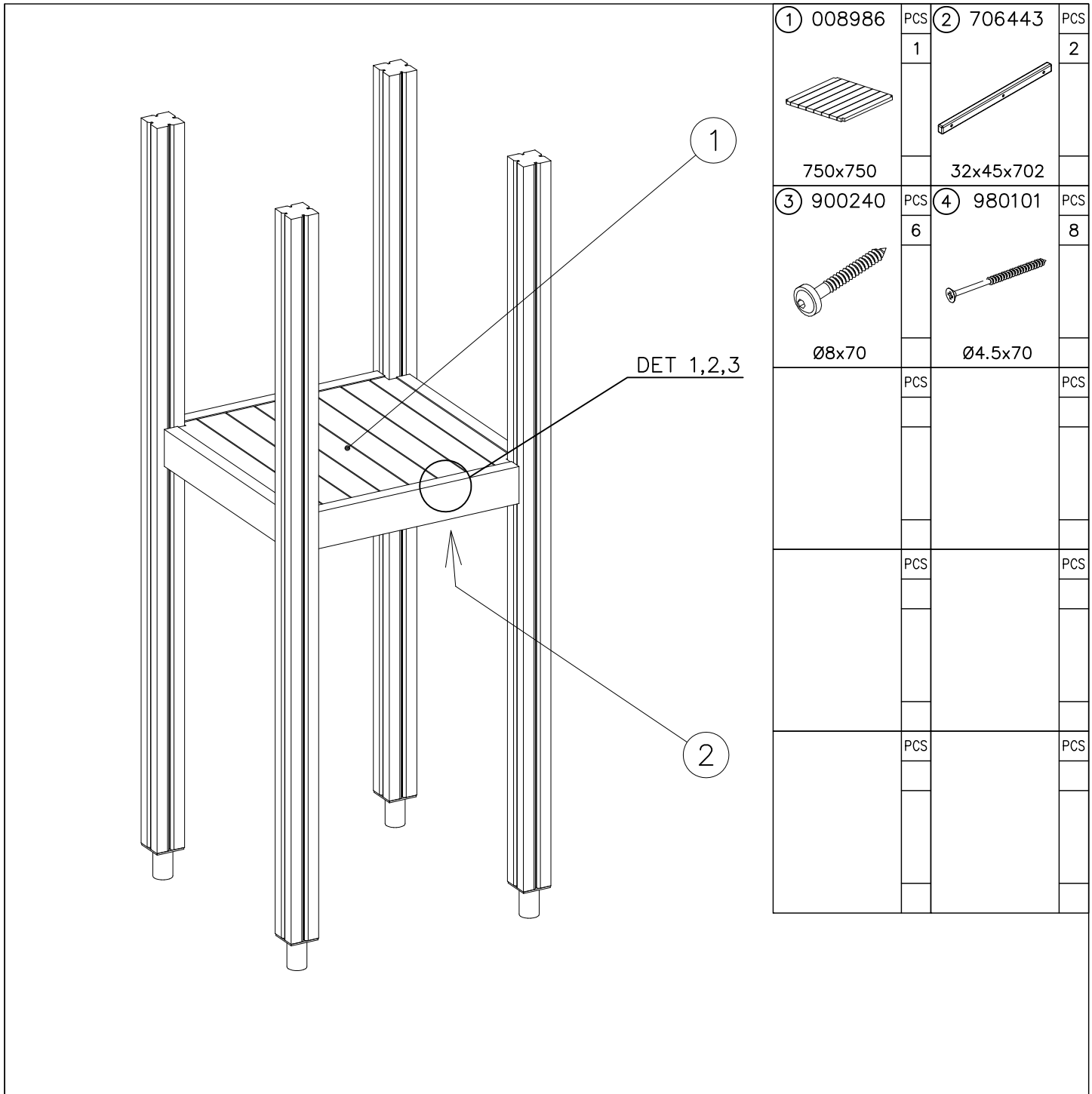




| | | | |
|---|-----|---|-----|
| ① 903176 | PCS | ② 909850 | PCS |
|  | 4 |  | 4 |
| | | M8x25 | |
| ③ 909256 | PCS | ④ 909633 | PCS |
|  | 8 |  | 4 |
| Ø16/8.4x1.6 | | M8 | |
| ⑤ 980123 | PCS | | PCS |
|  | 4 | | |
| Ø7x60 | | | |
| | PCS | | PCS |







DET 1

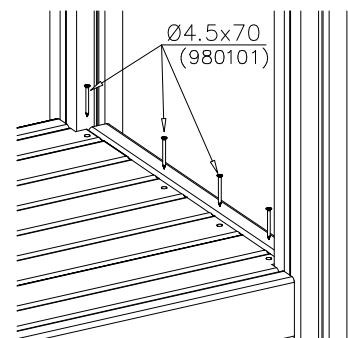


DET 2

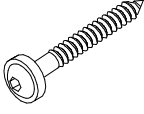
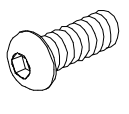


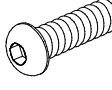

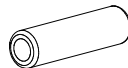




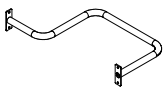
Naulanauha kannatinlistan puolelle.
Nail list to the bottom.



DET 3





| | | | |
|---|-----|---|-----|
| ① 900240 | PCS | ② 900342 | PCS |
|  | 4 |  | 2 |
| Ø8x70 | | M8x16 | |
| ③ 901900 | PCS | ④ 901939 | PCS |
|  | 2 |  | 1 |
| 20.5x36.2x56 | | M12x70 | |
| ⑤ 909850 | PCS | ⑥ 980150 | PCS |
|  | 1 |  | 1 |
| M8x25 | | M8 | |
| ⑦ 901182 | PCS | ⑧ 901902 | PCS |
|  | 1 |  | 2 |
| Ø11/M8x40 | | 30.7x60.9x100 | |
| | PCS | | PCS |
| | | | |
| | PCS | | PCS |
| | | | |
| ○ 907829 | PCS | ○ 907698 | PCS |
|  | 1 |  | 1 |
| Ø33,7x1454 | | Ø33,7x2054 | |
| ○ 907817 | PCS | ○ 907695 | PCS |
|  | 1 |  | 1 |
| Ø33,7x2554 | | | |



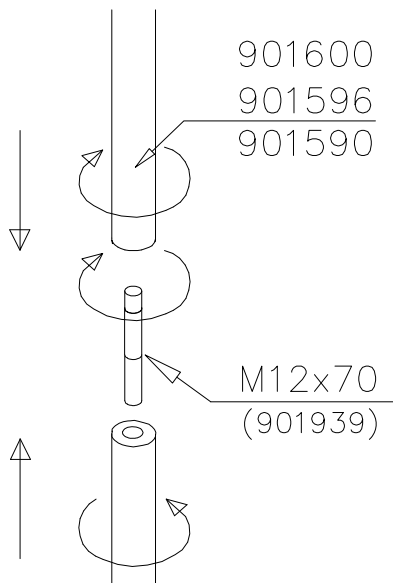
DET 1



DET 2



DET 3



DET 4

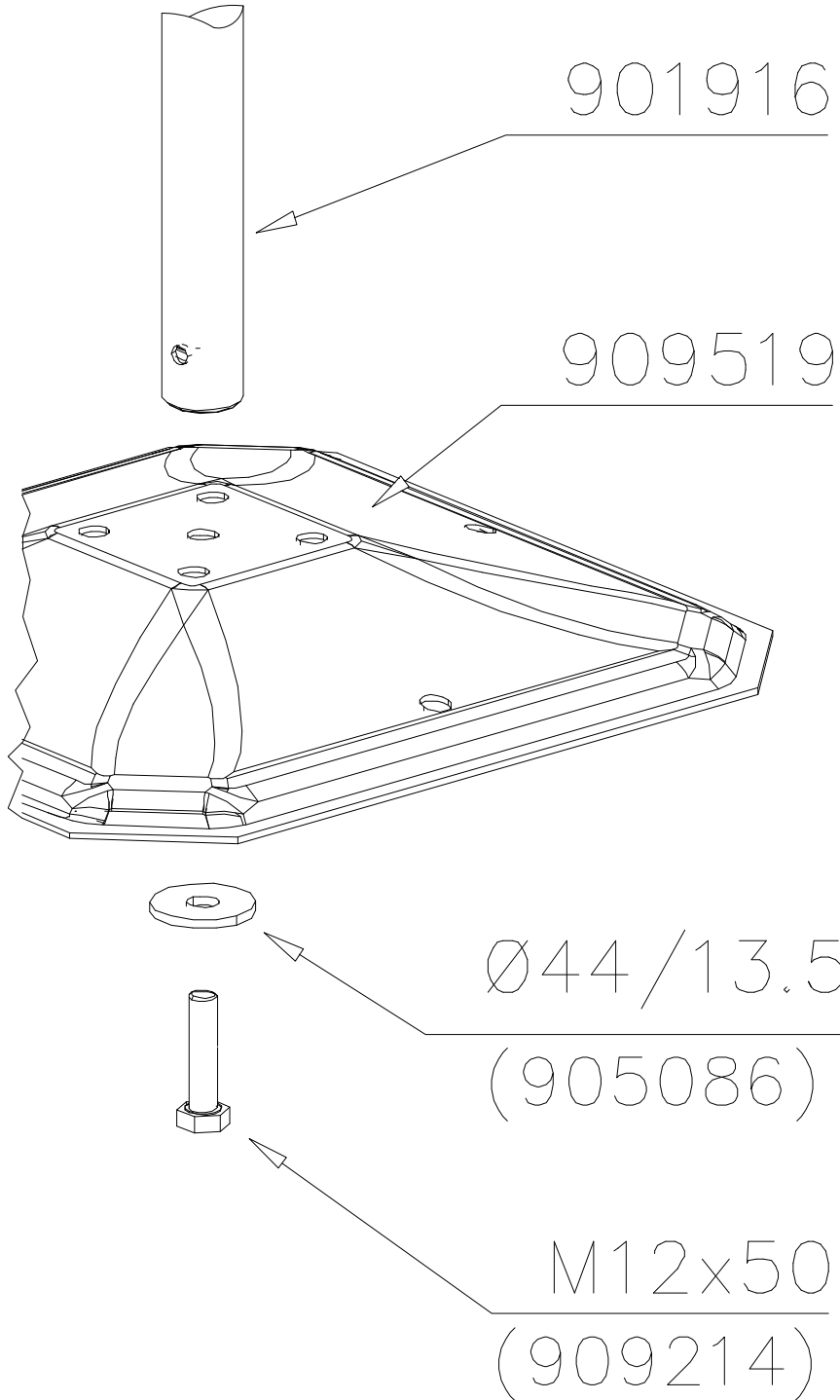


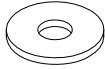
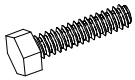
LAPPSET® DEEP FOUNDATION

POLE

DATE: 15.5.2014

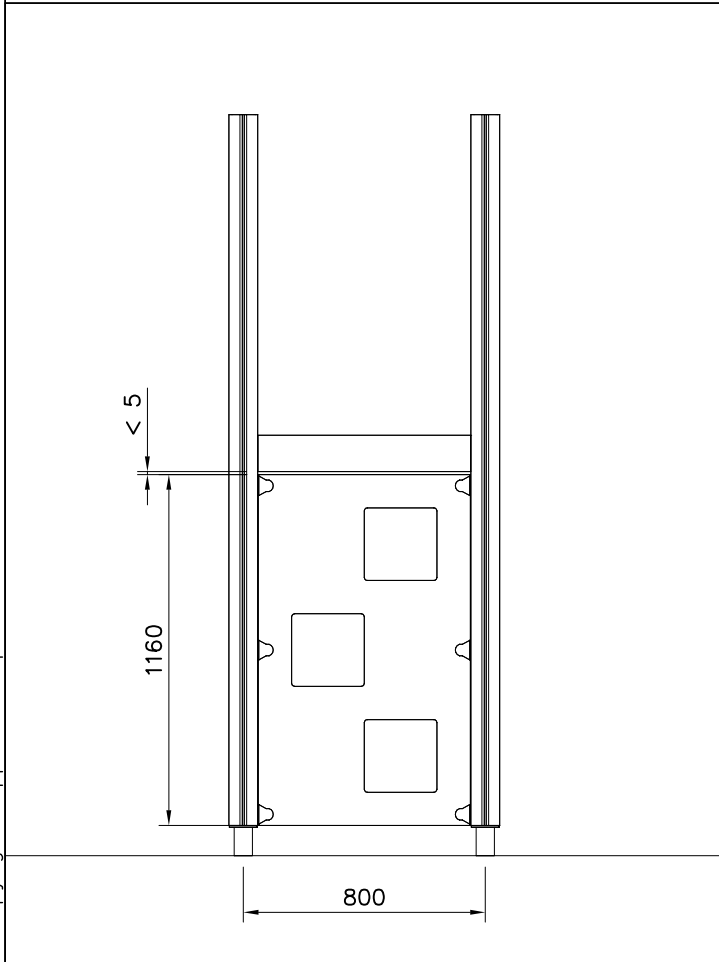
1(1)



| ① | 905086 | PCS | ② | 909214 | PCS |
|---|---|-----|---|--------|-----|
| |  | 1 |  | | 1 |
| | Ø44/13.5 | | M12x50 | | |
| | | PCS | | | PCS |
| | | | | | |
| | | PCS | | | PCS |
| | | | | | |
| | | PCS | | | PCS |
| | | | | | |
| | | PCS | | | PCS |
| | | | | | |
| | | PCS | | | PCS |
| | | | | | |
| | | PCS | | | PCS |
| | | | | | |
| | | PCS | | | PCS |
| | | | | | |

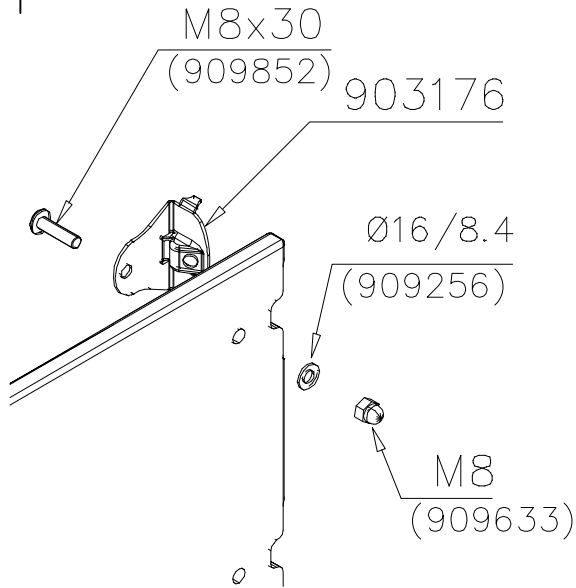


| | | | |
|-------------|-----|----------|-----|
| ① 903176 | PCS | ② 909852 | PCS |
| | 6 | | 6 |
| | | M8x30 | |
| ③ 909256 | PCS | ④ 909633 | PCS |
| | 6 | | 6 |
| Ø16/8.4x1.6 | | M8 | |
| ⑤ 980123 | PCS | | PCS |
| | 6 | | |
| Ø7x60 | | | |
| | PCS | | PCS |

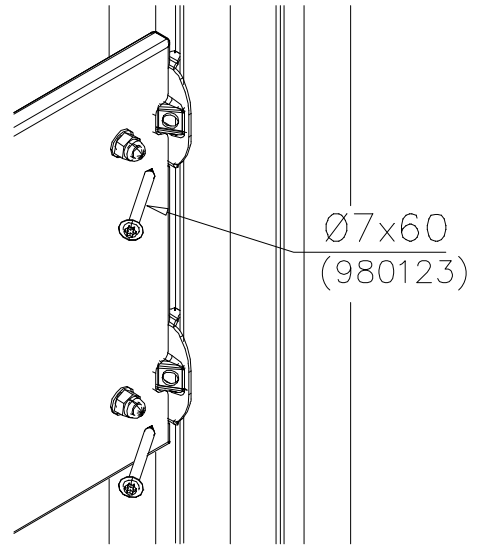


| WALL OPTIONS | | |
|--------------|------------|------------|
| 706507 | 706507-701 | BLUE |
| | 706507-702 | YELLOW |
| | 706507-703 | LIME |
| | 706507-704 | DARK GRAY |
| | 706507-705 | LIGHT GRAY |
| | 706507-706 | RED |
| | 706507-707 | GREEN |
| | 706507-708 | FUXIA |
| 20x702x1160 | | |
| | | |
| | | |

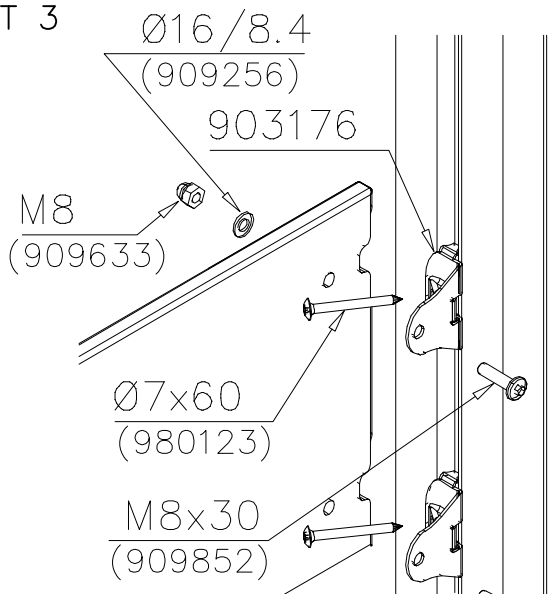
DET 1

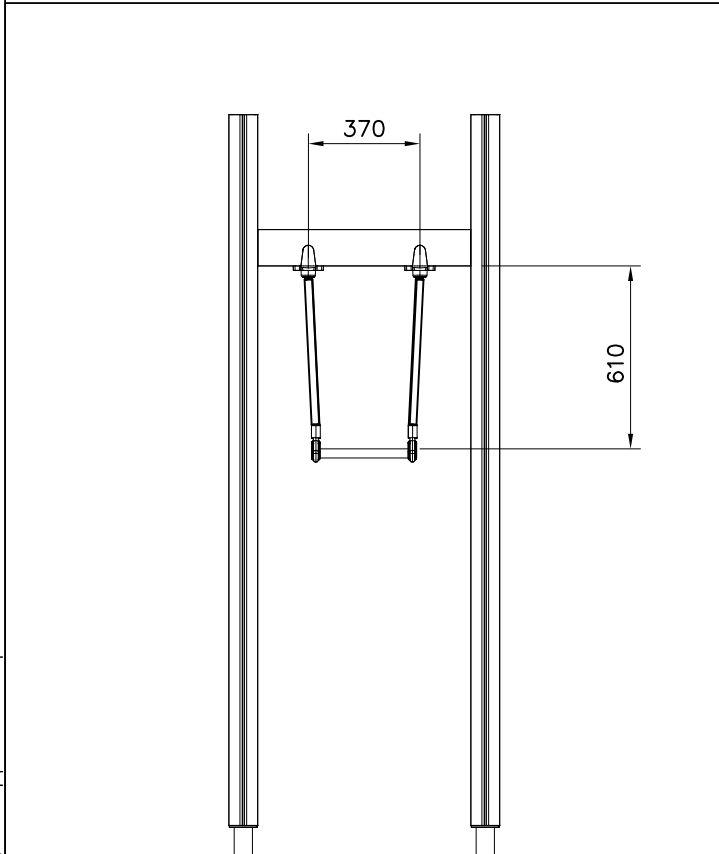
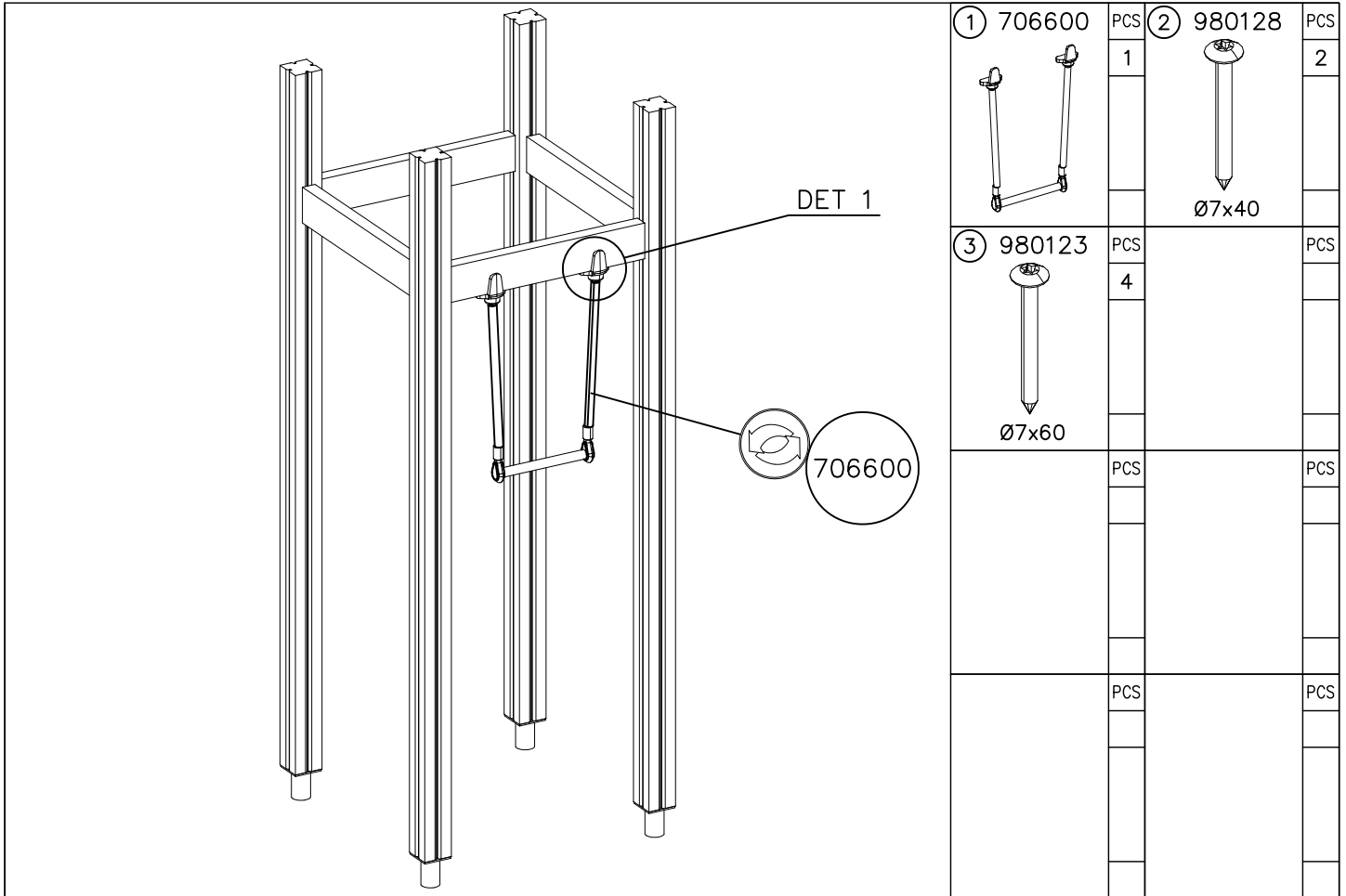


DET 2

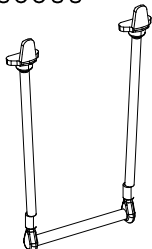


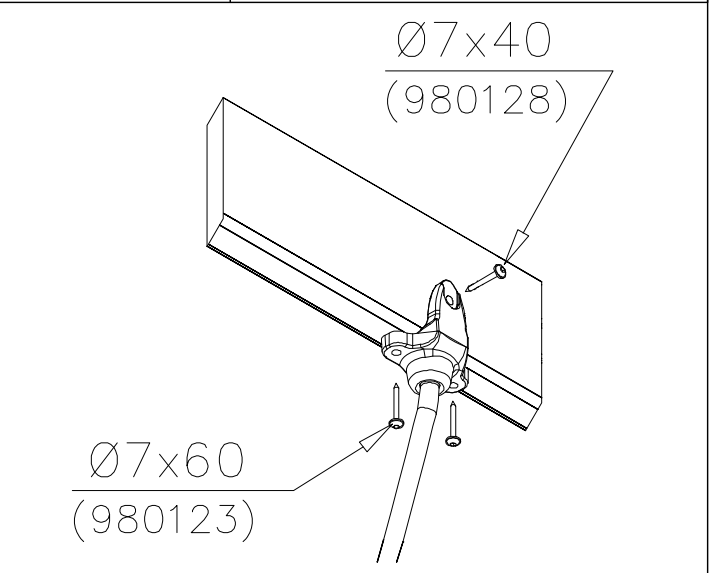
DET 3

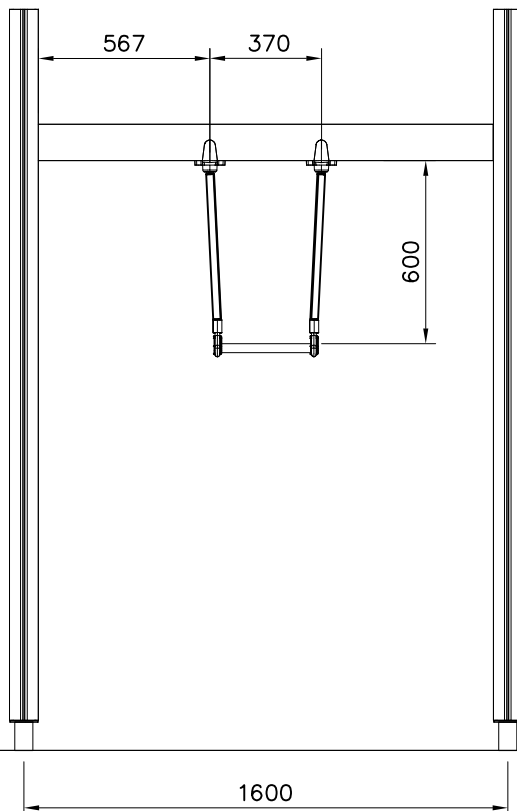
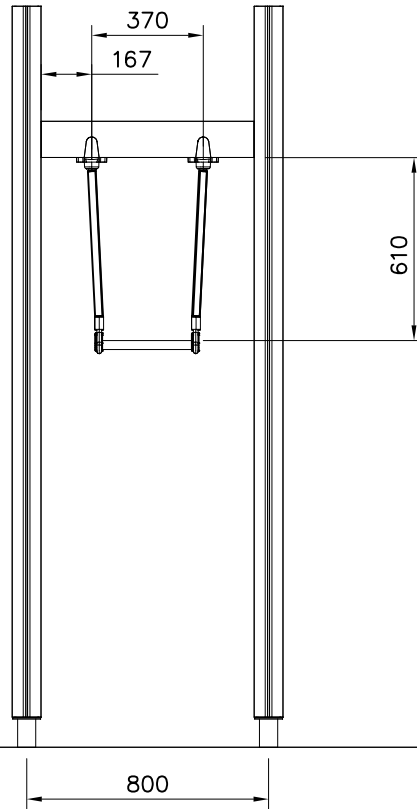


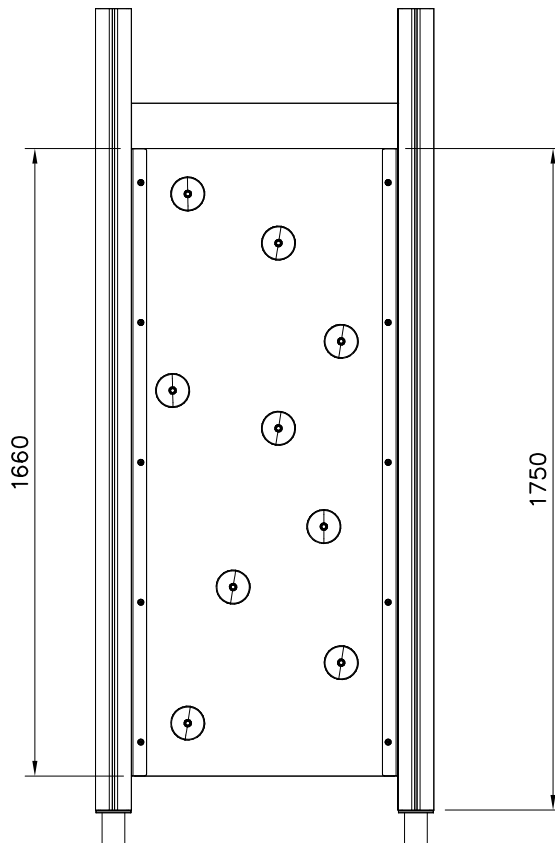
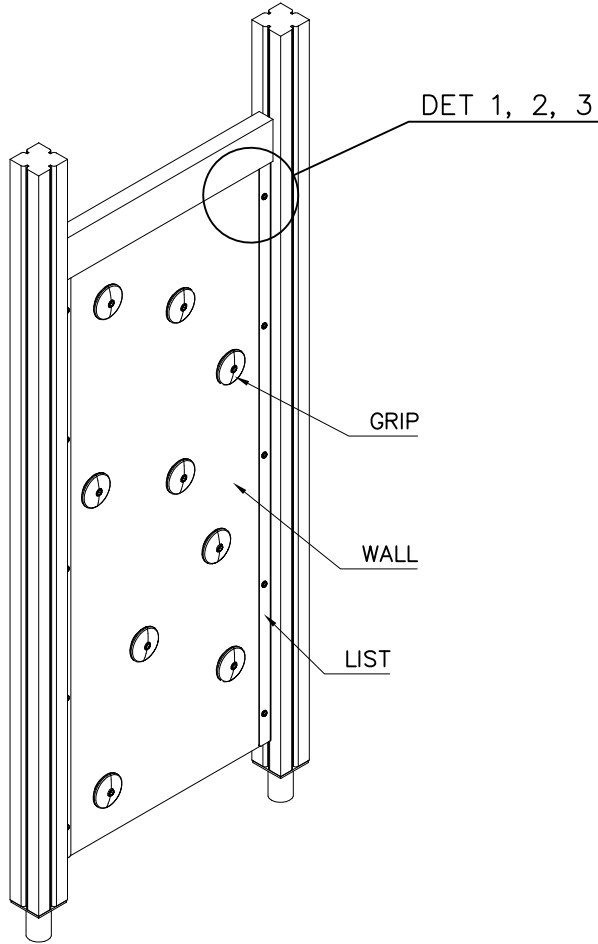



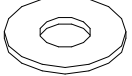
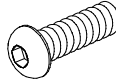
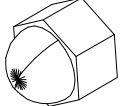
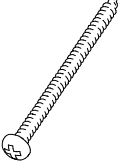

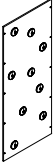
TRAPEZE OPTIONS

| | | |
|---|------------|--------|
|  | 706600-301 | BLUE |
| | 706600-302 | RED |
| | 706600-303 | BEIGE |
| | 706600-304 | GRAY |
| | 706600-305 | BLACK |
| | 706600-306 | YELLOW |

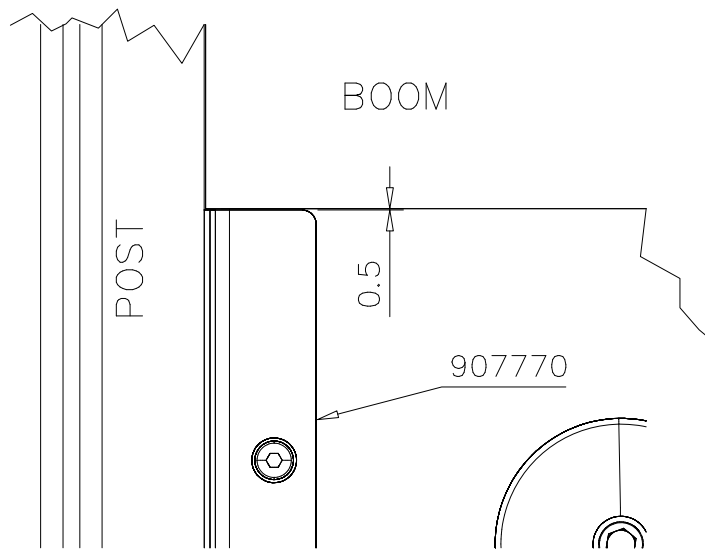




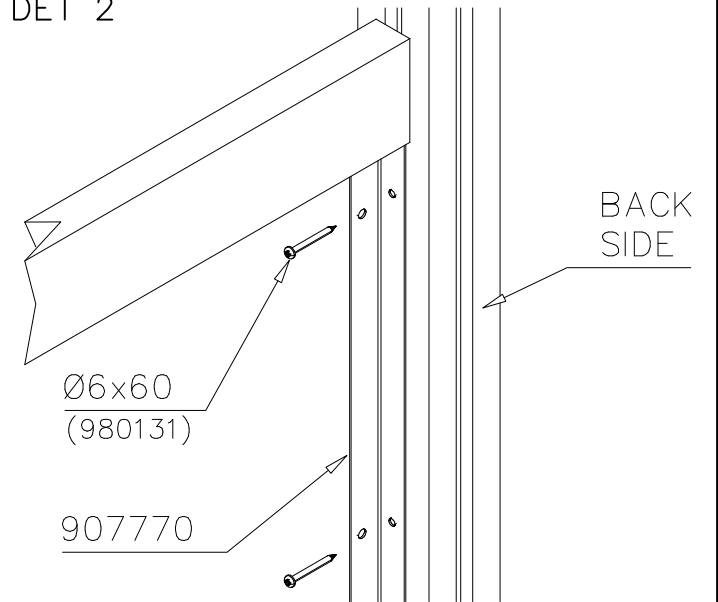


| | | | |
|---|-----|---|-----|
| ① 909256 | PCS | ② 980152 | PCS |
|  | 10 |  | 10 |
| Ø16/8.4x1.6 | | Ø24/8.4x2 | |
| ③ 909850 | PCS | ④ 909633 | PCS |
|  | 10 |  | 10 |
| M8x25 | | M8 | |
| | PCS | ⑤ 980131 | PCS |
| | |  | 10 |
| | | Ø6x60 | |
| | PCS | | PCS |
| | | | |
| | PCS | | PCS |
| | | | |
| | PCS | | PCS |
| | | | |
| ○ 907770 | PCS | ○ 706646 + grips | PCS |
|  | 2 |  | 1 |
| 2x35/40x1659 | | | |
| | PCS | | PCS |
| | | | |

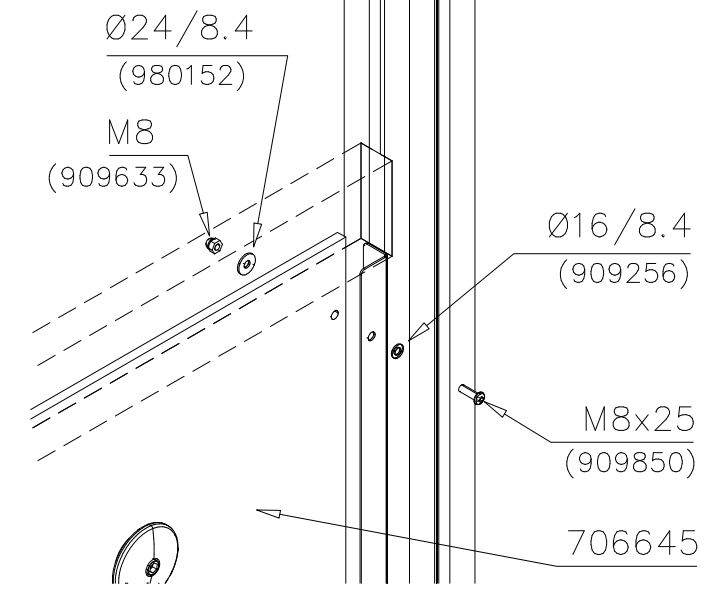
DET 1



DET 2



DET 3



DET 1,2

| | | | |
|-------------|-----|----------|-----|
| ① 903176 | PCS | ② 909850 | PCS |
| | 4 | | 4 |
| | | M8x25 | |
| ③ 909256 | PCS | ④ 909633 | PCS |
| | 8 | | 4 |
| Ø16/8.4x1.6 | | M8 | |
| ⑤ 980123 | PCS | | PCS |
| | 4 | | |
| Ø7x60 | | | |

*Note:
No gaps between:
8–25mm
89–230mm

800

80

*Note

800

80

*Note

| COLOR OPTIONS | |
|---------------|------------|
| -701 | BLUE |
| -702 | YELLOW |
| -703 | LIME |
| -704 | DARK GRAY |
| -705 | LIGHT GRAY |
| -706 | RED |
| -707 | GREEN |
| -708 | FUXIA |

Copyright Lappset Group Ltd

GAME WALL OPTIONS

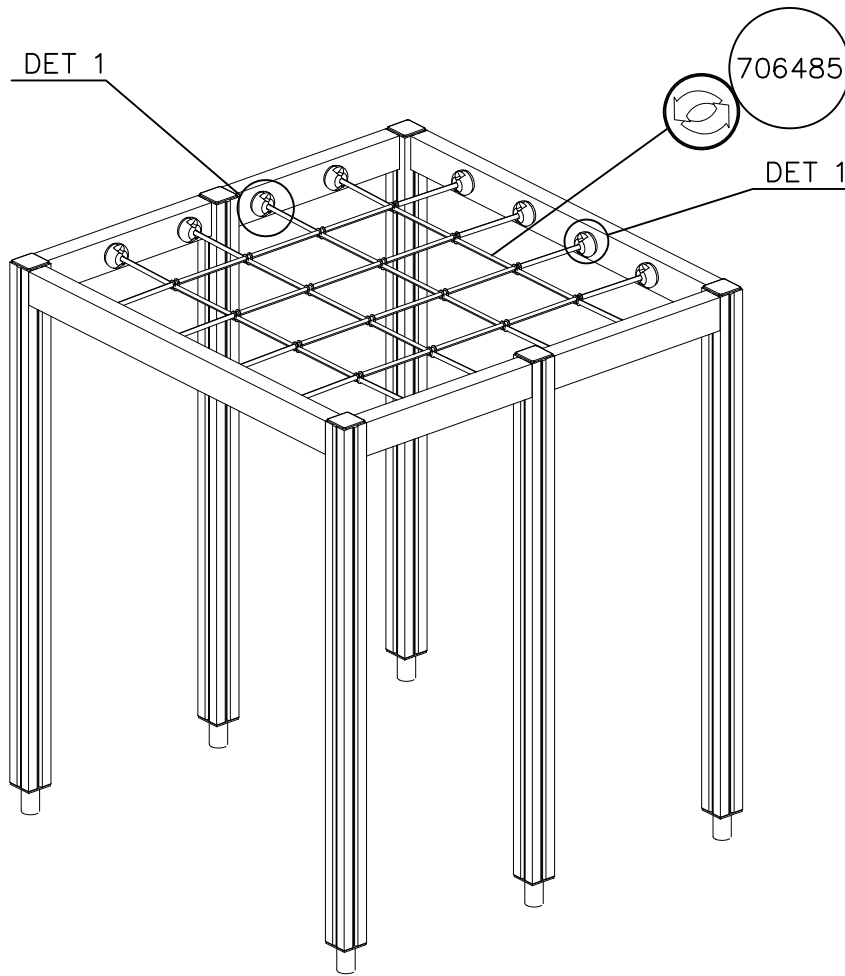
| | | | |
|---|---|--|--|
| 706766 | 706772 | 706308 | 707453 |
|  |  |  |  |
| 640x702 | 640x702 | 640x702 | 640x702 |
| 707209 | 705705 | 707433 | 707386 |
|  |  |  |  |
| 640x702 | 640x702 | 640x702 | 640x702 |
| 709403 | 709358 | 709405 | |
|  |  |  | |
| 640x702 | 640x702 | 420x702 | |

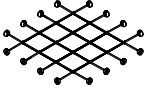

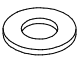
DET 1



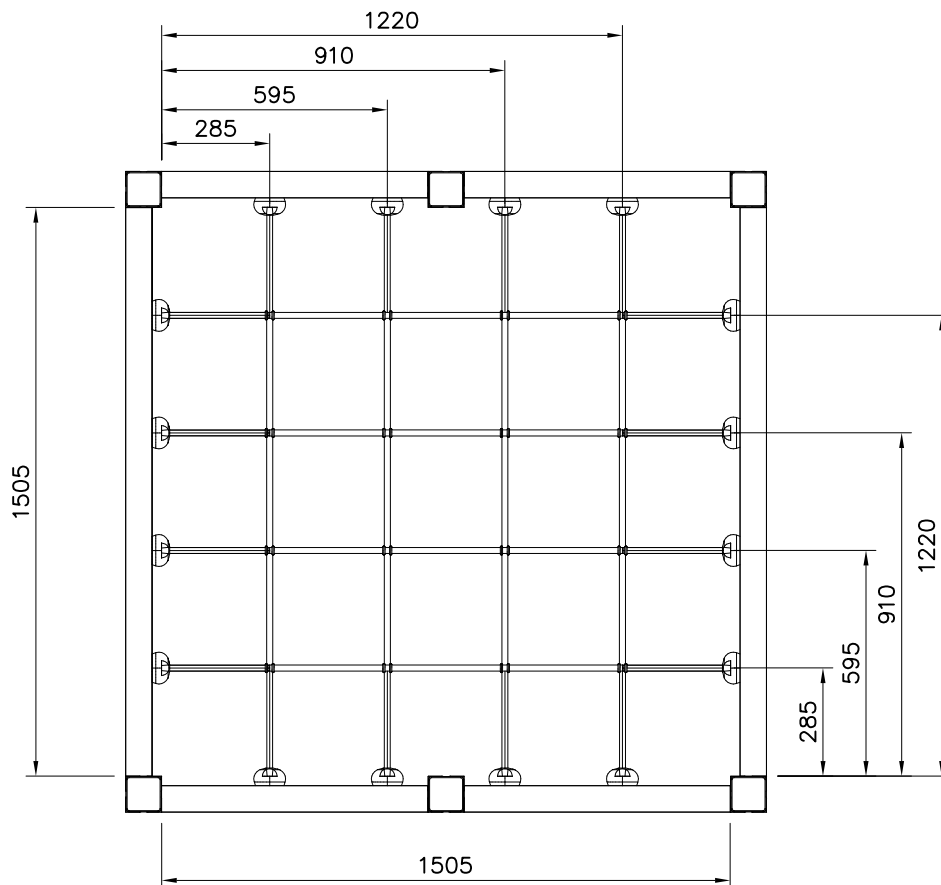
DET 2





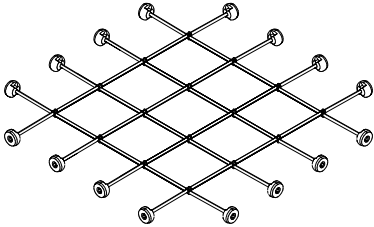
| | | | |
|---|-----|---|-----|
| ① 706485 | PCS | ② 980123 | PCS |
|  | 1 |  | 32 |
| 1555x1555 | | Ø7x60 | |
| | PCS | ③ 909256 | PCS |
| | |  | 32 |
| | | Ø16/8.4 | |
| | PCS | | PCS |
| | | | |
| | PCS | | PCS |
| | | | |

1:20



NET OPTIONS

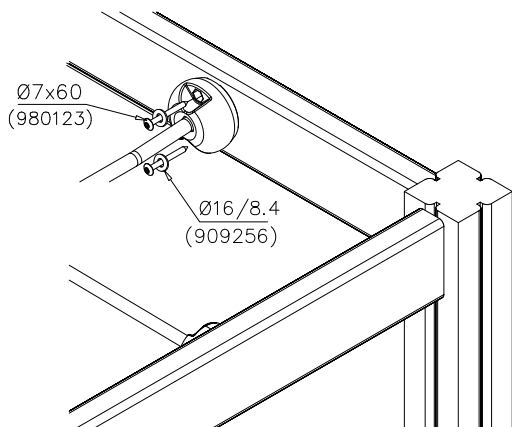
706485

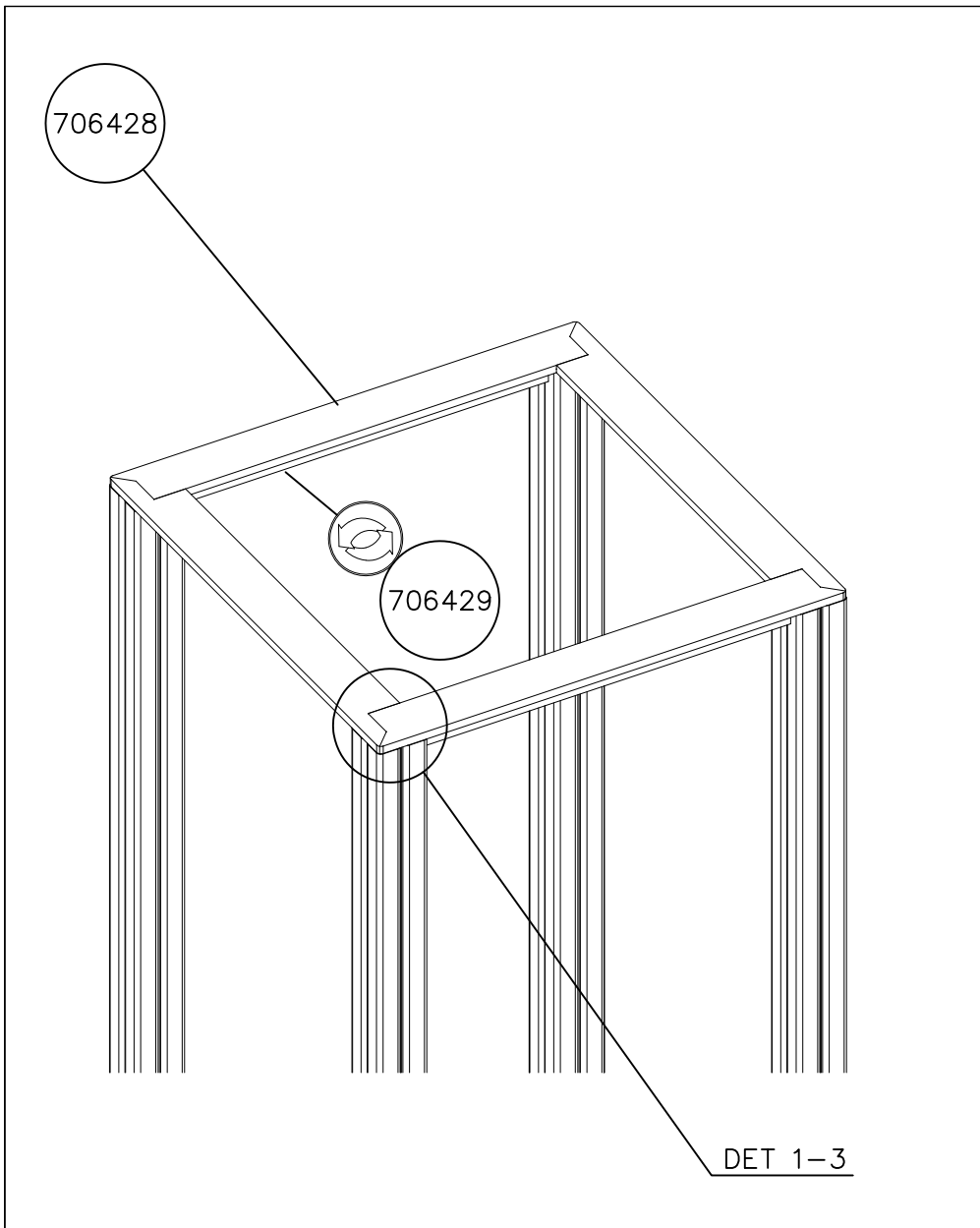


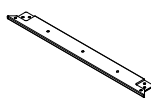
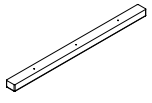
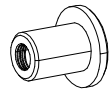
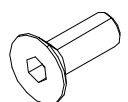

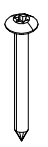
1555x1555

- | | |
|------------|--------|
| 706485-301 | BLUE |
| 706485-302 | RED |
| 706485-303 | BEIGE |
| 706485-304 | GREY |
| 706485-305 | BLACK |
| 706485-306 | YELLOW |

DET 1

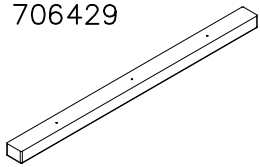




| | | | |
|---|-----|---|-----|
| ① 706428 | PCS | ② 706429 | PCS |
|  | 4 |  | 4 |
| 15x93x888.5 | | 32x45x705 | |
| ③ 900850 | PCS | ④ 907911 | PCS |
|  | 8 |  | 8 |
| M6 | | M6x12 | |
| ⑤ 980123 | PCS | ⑥ 980128 | PCS |
|  | 8 |  | 12 |
| Ø7x60 | | Ø7x40 | |
| | PCS | | PCS |
| | | | |
| | PCS | | PCS |
| | | | |

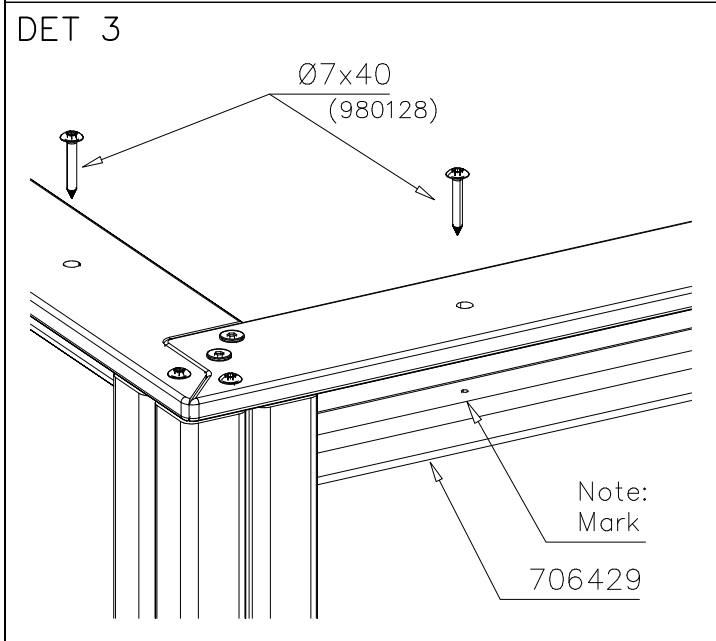
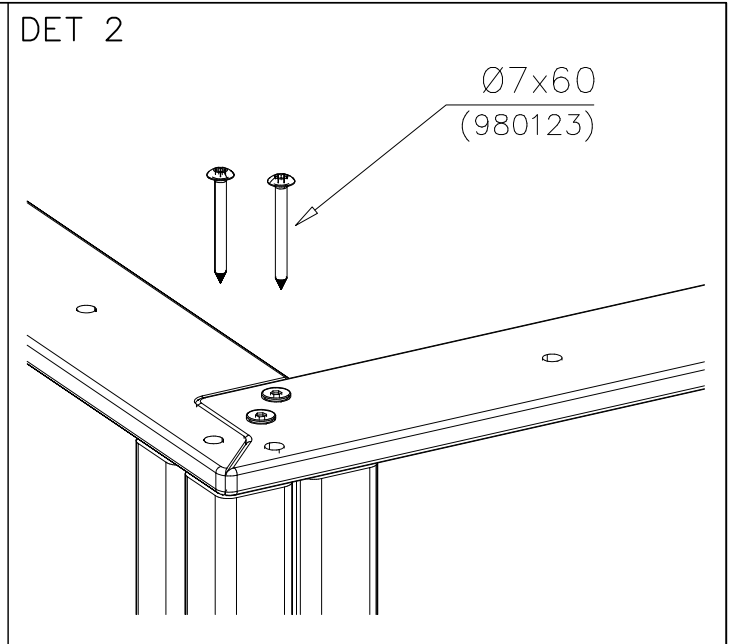
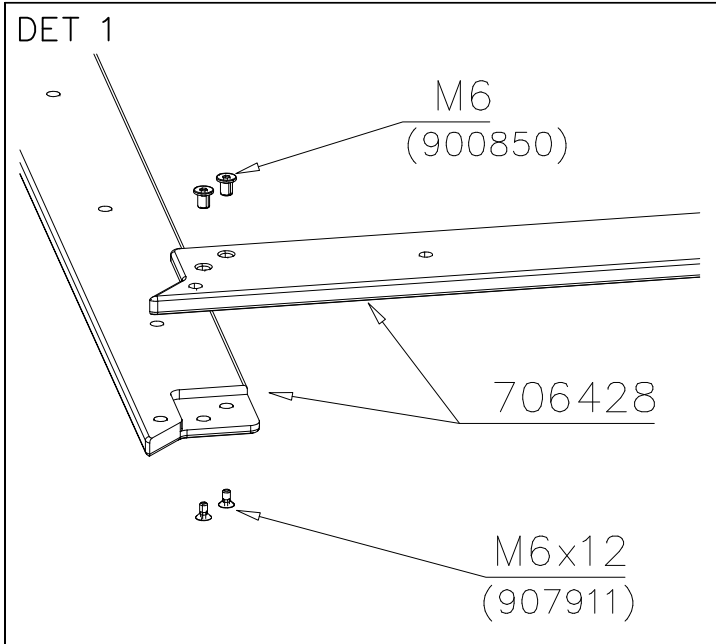
STRIP OPTIONS

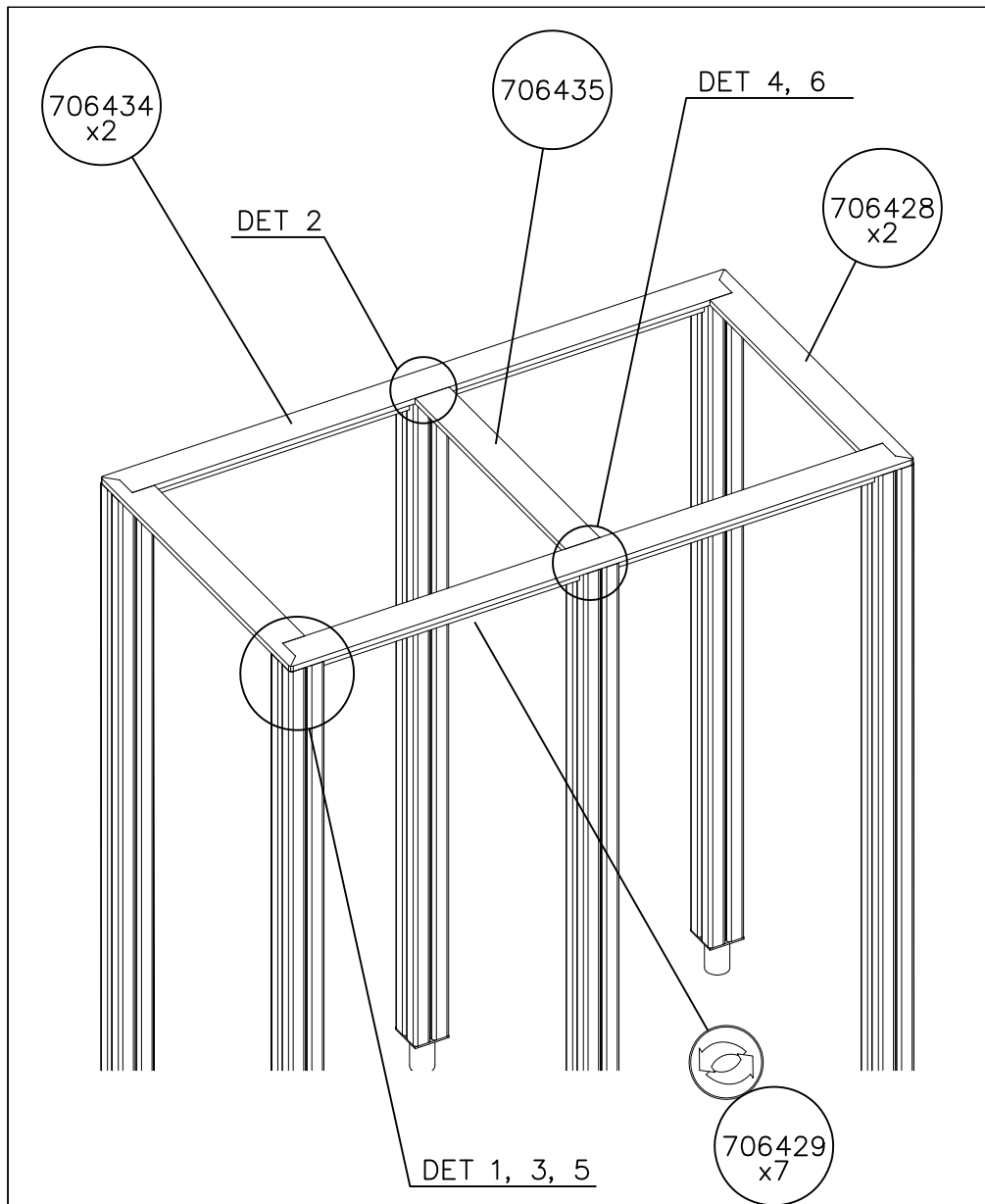
706429



32x45x705

| | |
|------------|-------------|
| 706429-602 | DARK BROWN |
| 706429-603 | LIGHT BROWN |
| 706429-604 | LIGHT GRAY |

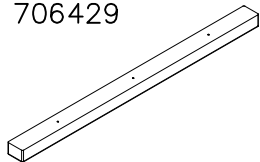




| | | | |
|-------------|-----|--------------|-----|
| ① 706428 | PCS | ② 706434 | PCS |
| | 2 | | 2 |
| 15x93x888.5 | | 15x93x1688.5 | |
| ③ 706435 | PCS | ④ 706429 | PCS |
| | 1 | | 7 |
| 15x93x793.5 | | 32x45x705 | |
| ⑤ 900850 | PCS | ⑥ 907911 | PCS |
| | 10 | | 10 |
| M6 | | M6x12 | |
| ⑦ 980123 | PCS | ⑧ 980128 | PCS |
| | 10 | | 21 |
| Ø7x60 | | Ø7x40 | |
| | PCS | | PCS |

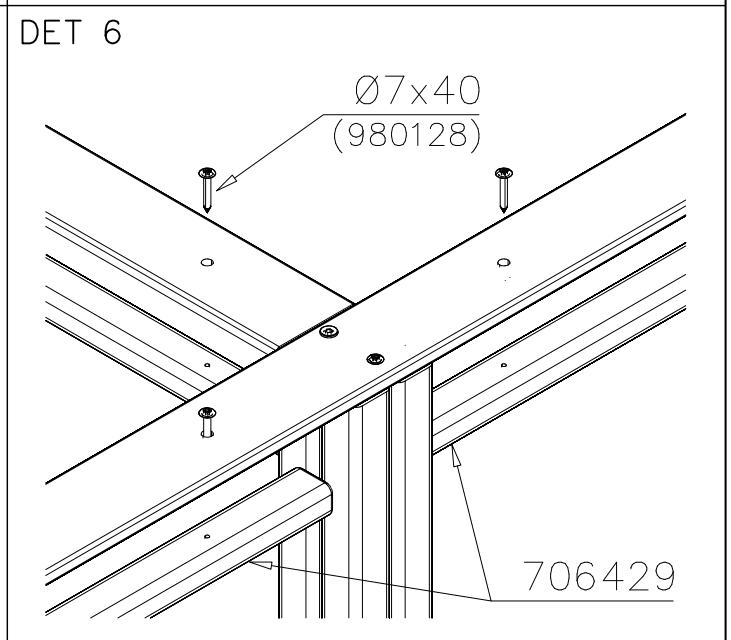
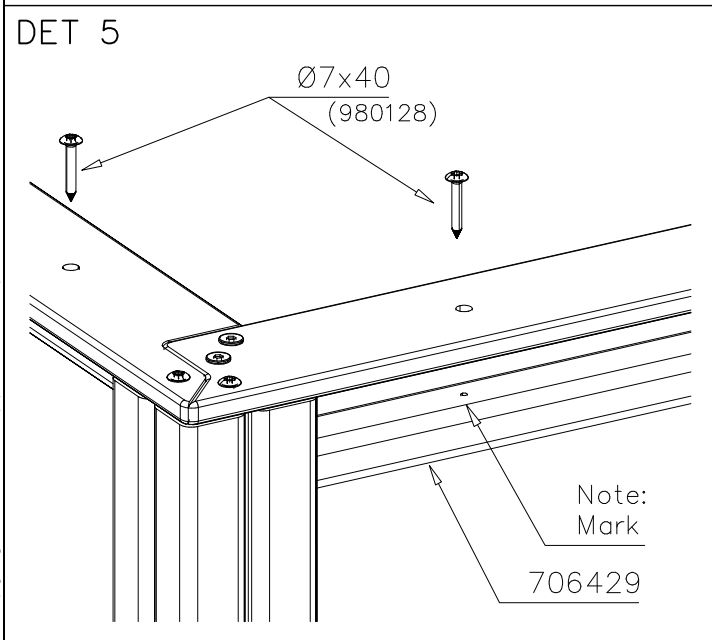
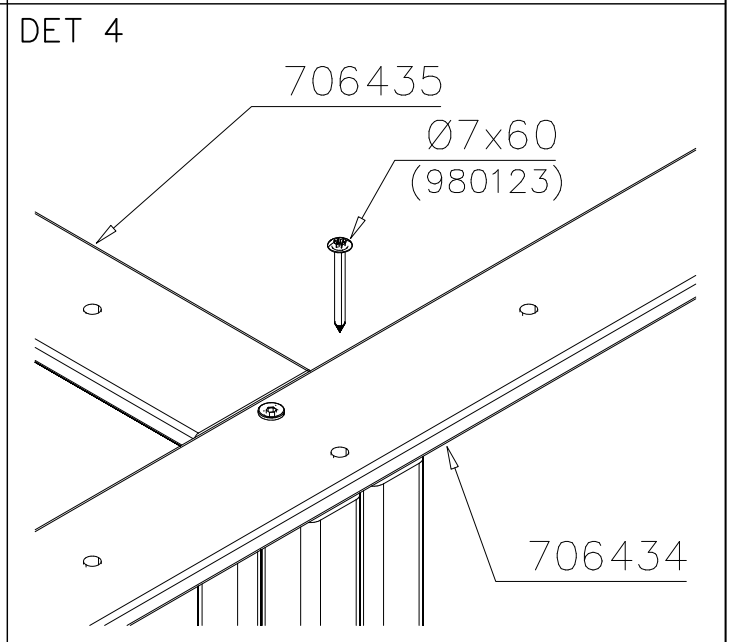
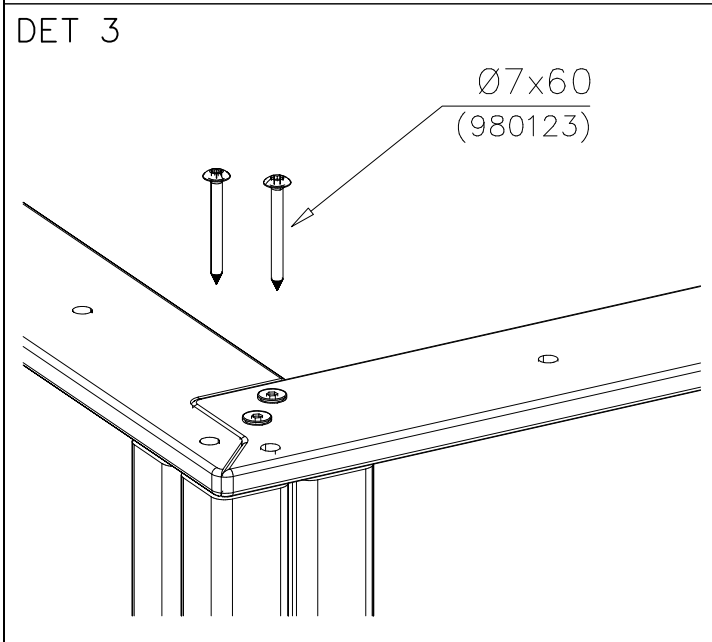
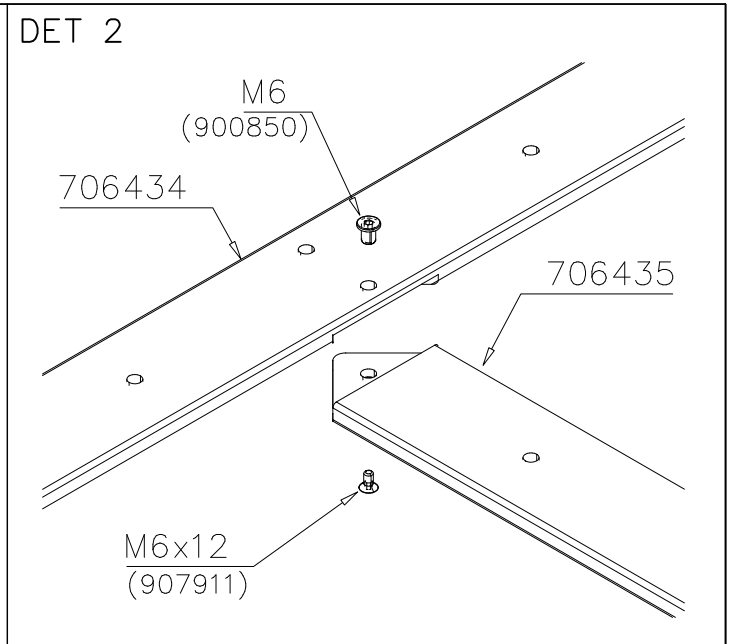
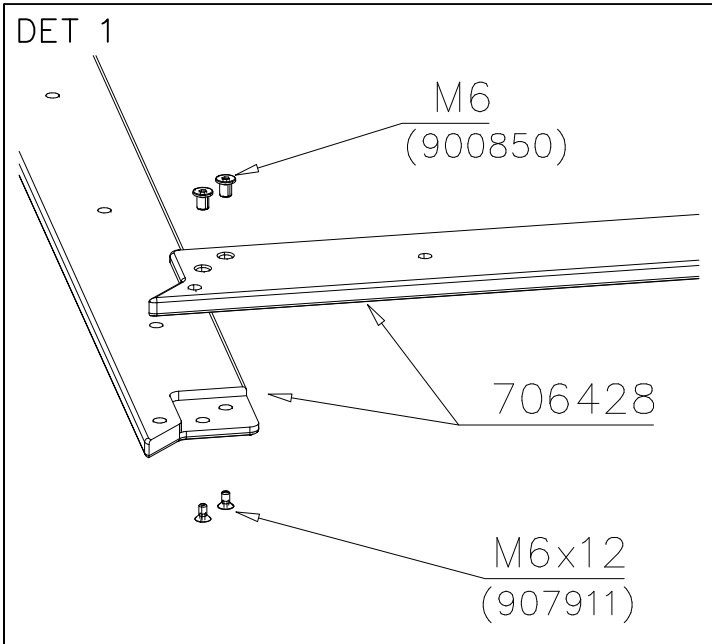
STRIP OPTIONS

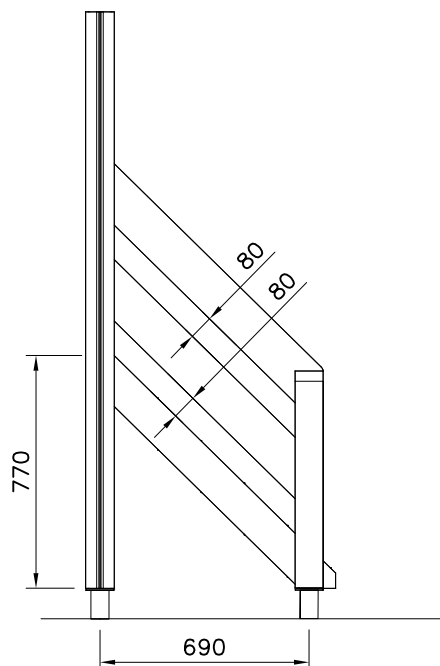
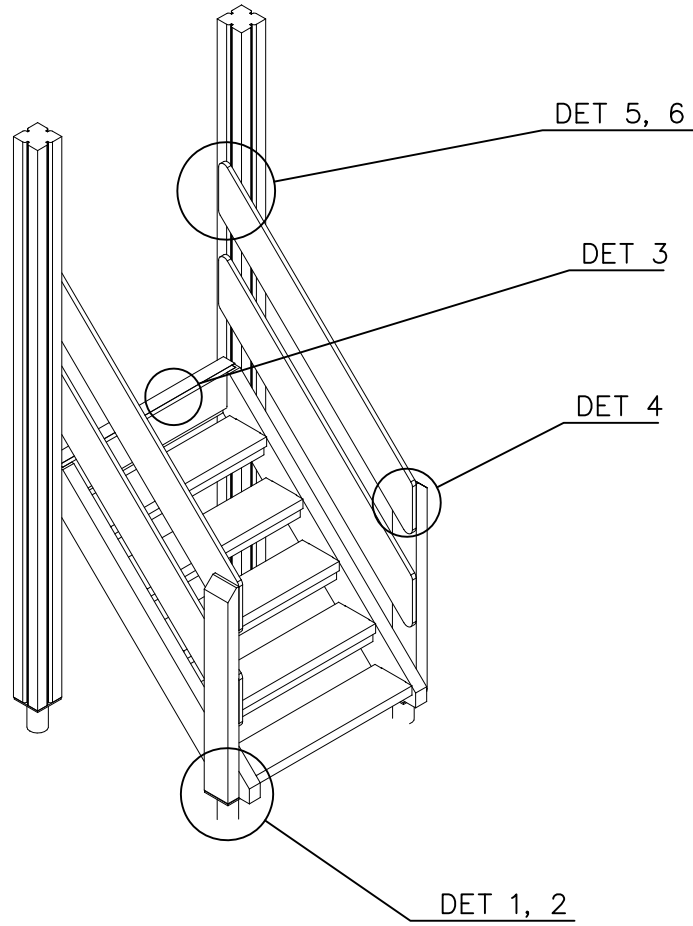
706429



32x45x705

706429-602 DARK BROWN
706429-603 LIGHT BROWN
706429-604 LIGHT GRAY





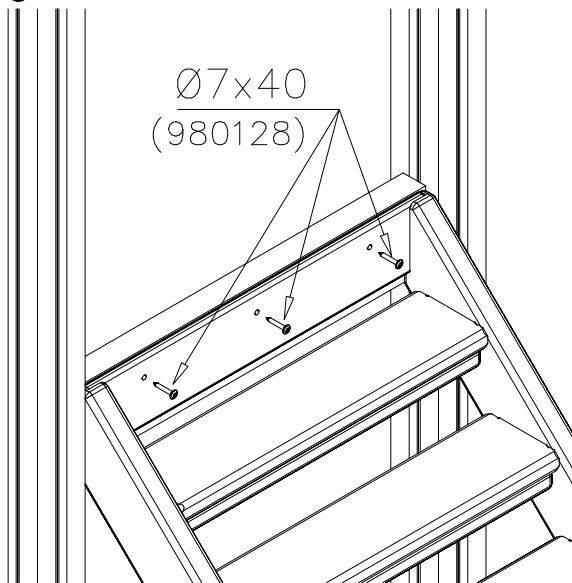
DET 1



DET 2



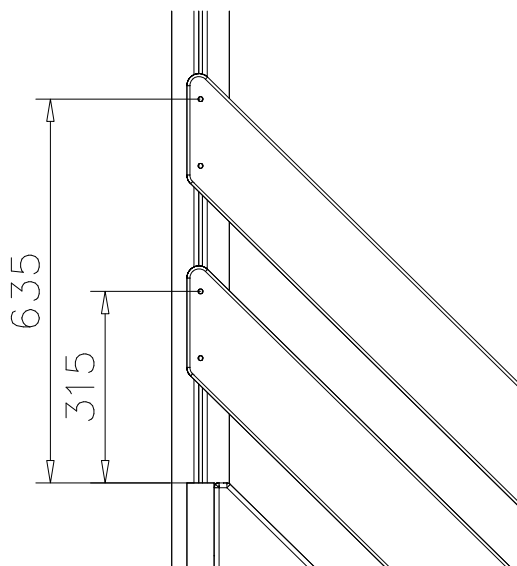
DET 3



DET 4



DET 5



DET 6





STAIRS OPTIONS +870

| | | |
|---|--|--|
| 707191  | 707191-602 DARK BROWN 707191-603 LIGHT BROWN 707191-604 LIGHT GRAY | |
|---|--|--|

RAILING OPTIONS

| | | |
|---|--|--------------------------------------|
| RAILS 707146  15x145x1153 | 707146-701 BLUE 707146-702 YELLOW 707146-703 LIME 707146-704 DARK GRAY 707146-705 LIGHT GRAY 707146-706 RED | 707146-707 GREEN 707146-708 FUXIA |
|---|--|--------------------------------------|

| | | |
|---|--|--|
| POST 707145  43x93x717 | 707145-602 DARK BROWN 707145-603 LIGHT BROWN 707145-604 LIGHT GRAY | |
|---|--|--|

POST OPTIONS

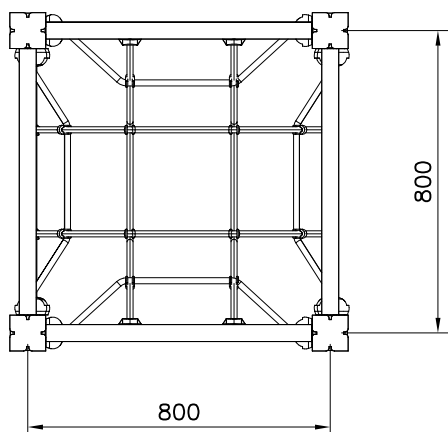
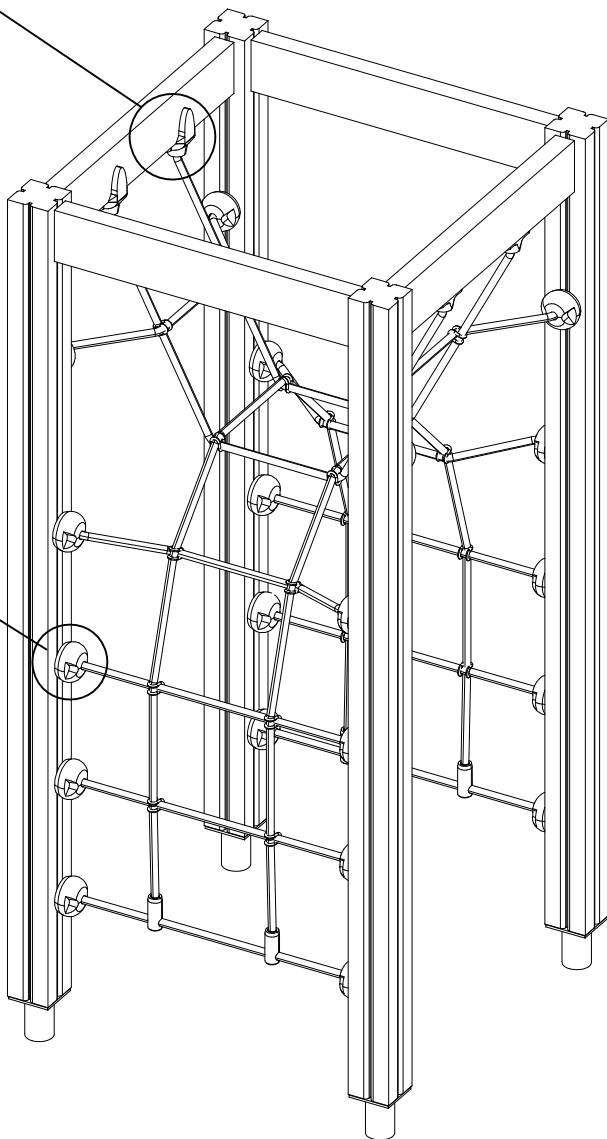
| | | |
|--|--|--|
| | | |
|--|--|--|

| | | |
|--|--|--|
| | | |
|--|--|--|

| | | | | | | | | | | | | | | | | | |
|---|--------|-----|---|--------|-----|---|--------|-----|--|--------|-----|---|--------|-----|---|--------|-----|
| ① | 707191 | PCS | ② | 707145 | PCS | ③ | 707146 | PCS | ④ | 900859 | PCS | ⑤ | 905104 | PCS | ⑥ | 909633 | PCS |
|  | | 1 |  | | 2 |  | | 4 |  | | 2 |  | | 4 |  | | 2 |
| +870 | | | 43x93x717 | | | 15x145x1153 | | | M8x90 | | | M10 | | | M8 | | |
| ⑦ | 980123 | PCS | ⑧ | 980128 | PCS | ⑨ | 980152 | PCS | | | PCS | | | PCS | | | PCS |
|  | | 8 |  | | 15 |  | | 2 | | | | | | | | | |
| Ø7x60 | | | Ø7x40 | | | Ø24/8.4x2 | | | | | | | | | | | |

DET 1

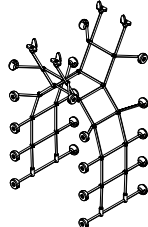
DET 2



| | | | |
|----------------------|----------|-------------------|-----------|
| ① 707341 1520x705 | PCS 1 | ② 900240 Ø8x70 | PCS 40 |
| ③ 980123 Ø7x60 | PCS 8 | ④ 980128 Ø7x40 | PCS 4 |
| | PCS | | PCS |
| | PCS | | PCS |
| | PCS | | PCS |
| | PCS | | PCS |

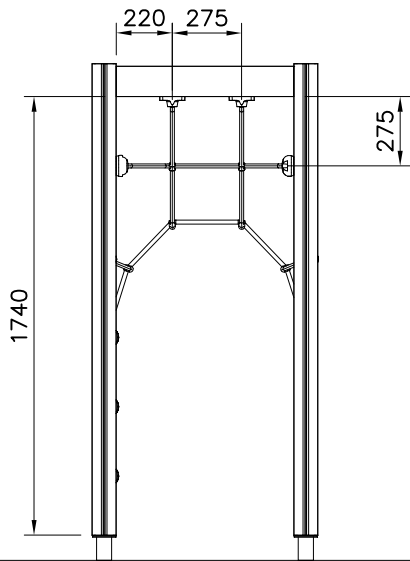
NET OPTIONS

707341

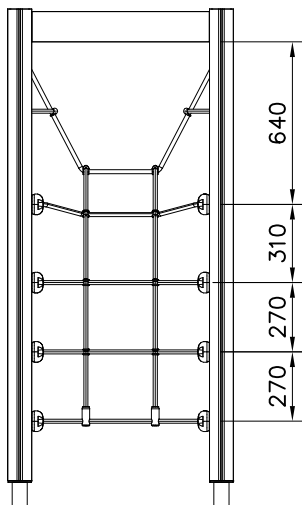
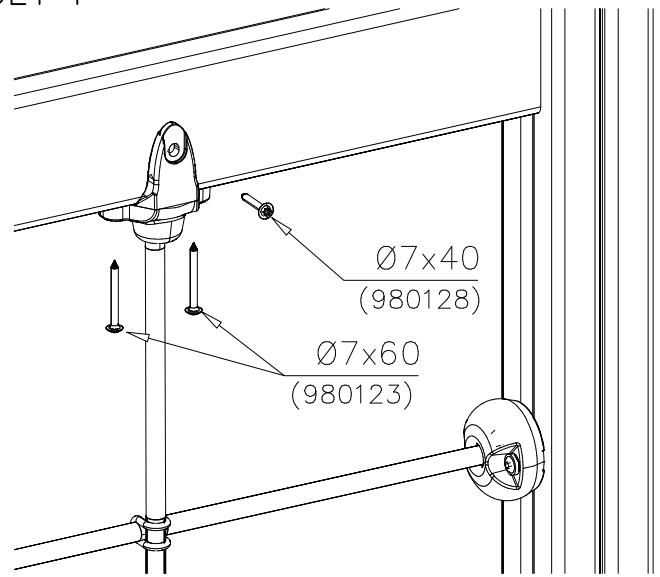


1520x705

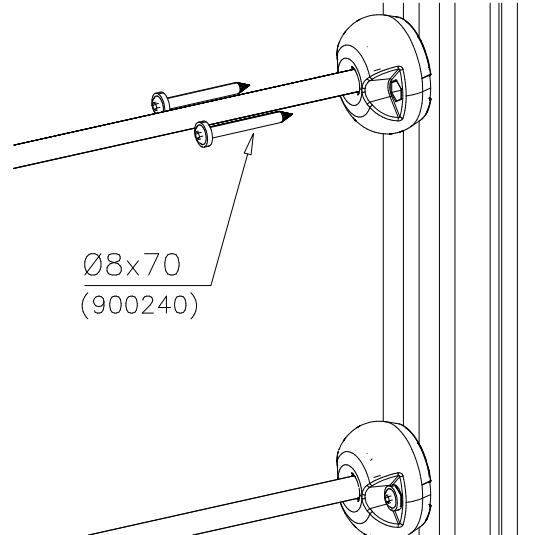
- 707341-301 BLUE
- 707341-302 RED
- 707341-303 BEIGE
- 707341-304 GREY
- 707341-305 BLACK

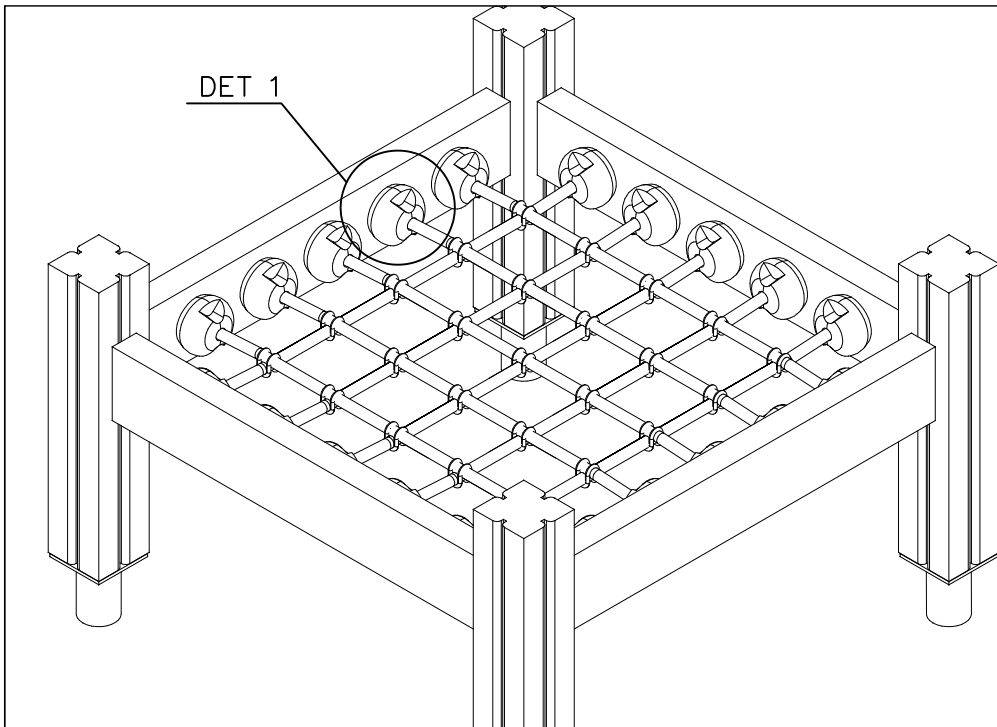


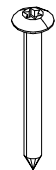

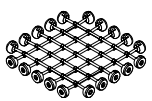
DET 1

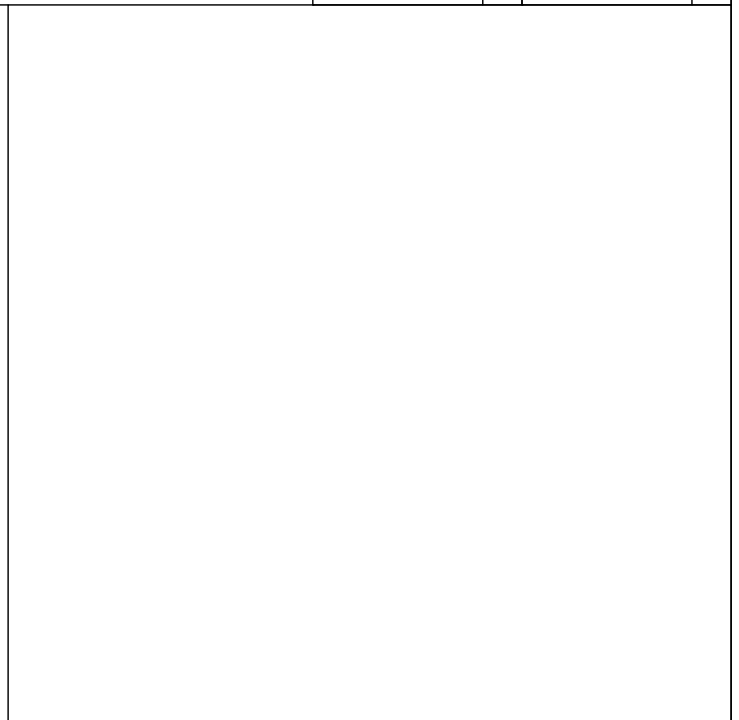
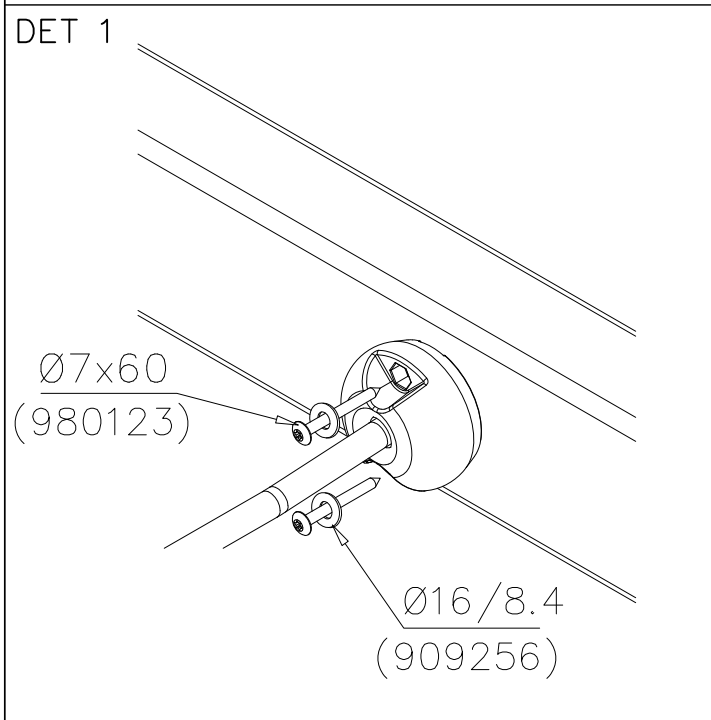
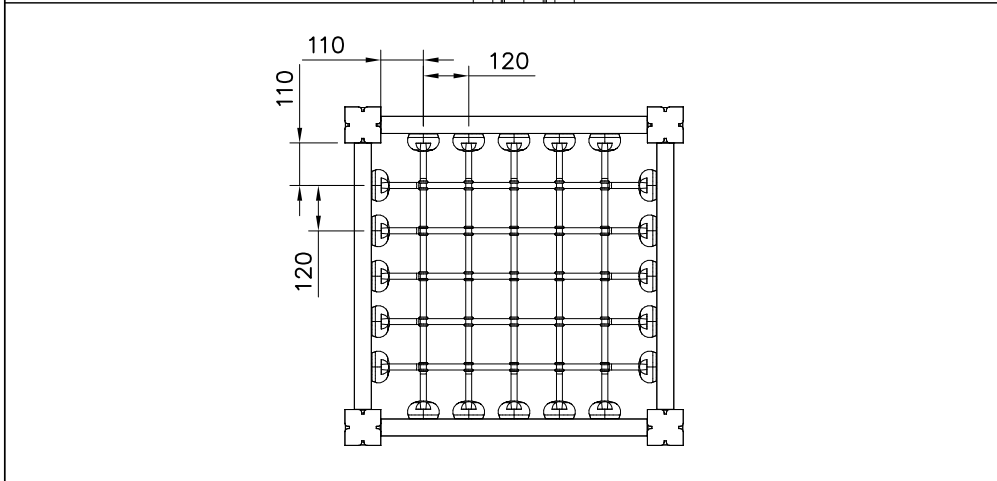


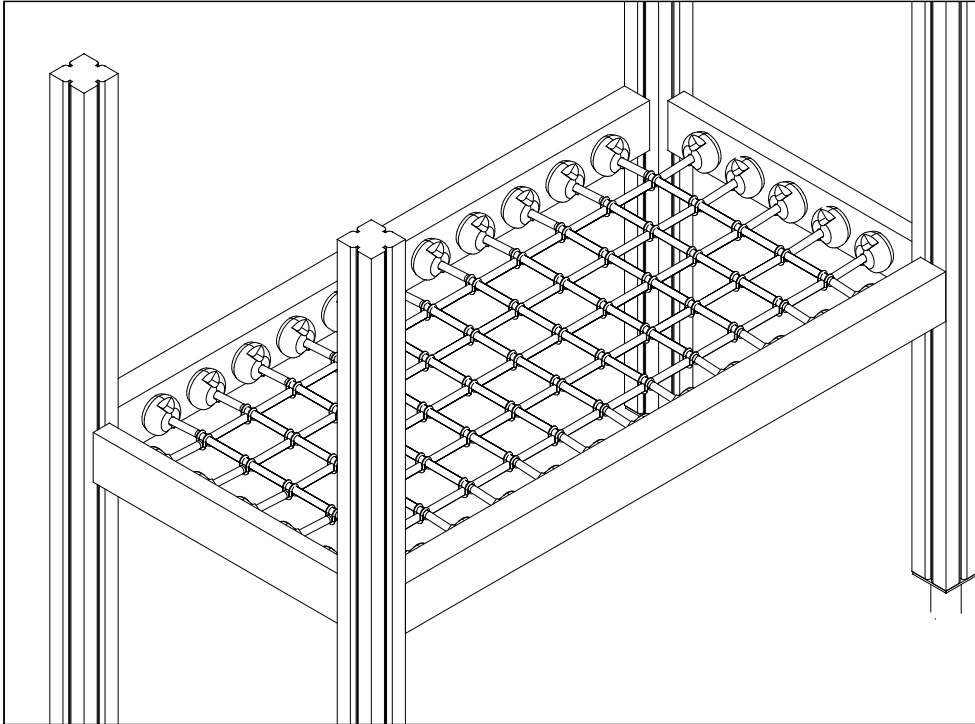
DET 2

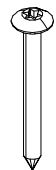

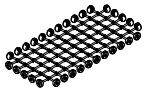


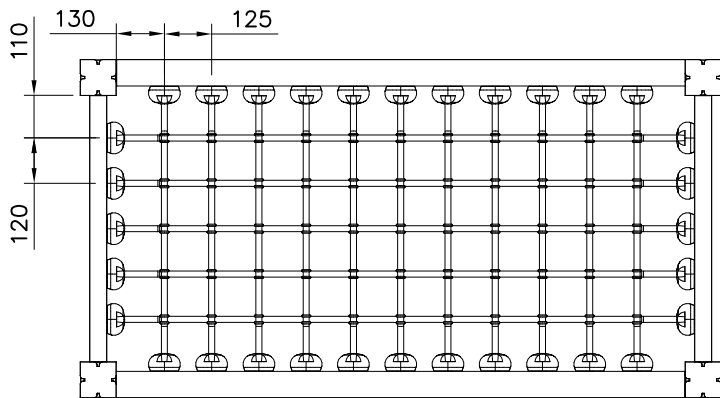


| | | | |
|--|-----------|--|-----------|
| ① 980123  Ø7x60 | PCS 40 | ② 909256  Ø16/8.4 | PCS 40 |
| | PCS | | PCS |
| | PCS | ○ 707590  755x755 | PCS |
| | PCS | | PCS |
| | PCS | | PCS |

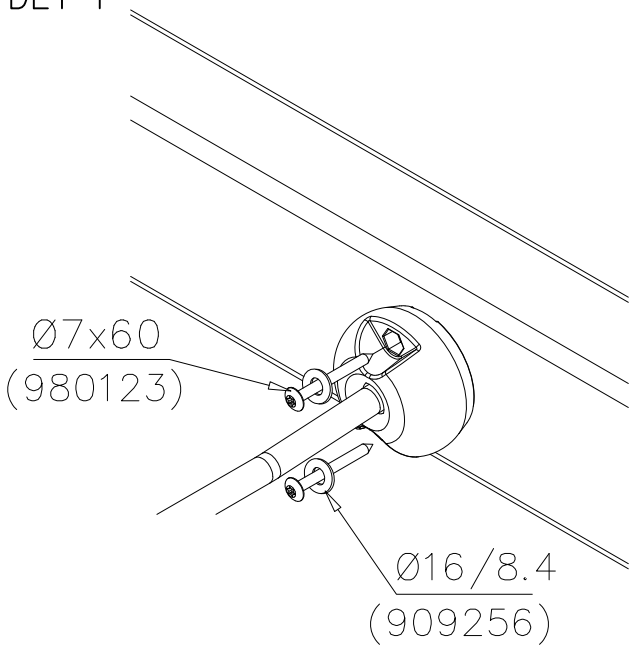




| | | | |
|---|-----|---|-----|
| ① 980123 | PCS | ② 909256 | PCS |
|  | 64 |  | 64 |
| Ø7x60 | | Ø16/8.4 | |
| | PCS | | PCS |
| | | | |
| | | | |
| | PCS | ○ 707595 | PCS |
| | |  | |
| | | 755x1555 | |
| | PCS | | PCS |
| | | | |
| | | | |
| | PCS | | PCS |
| | | | |



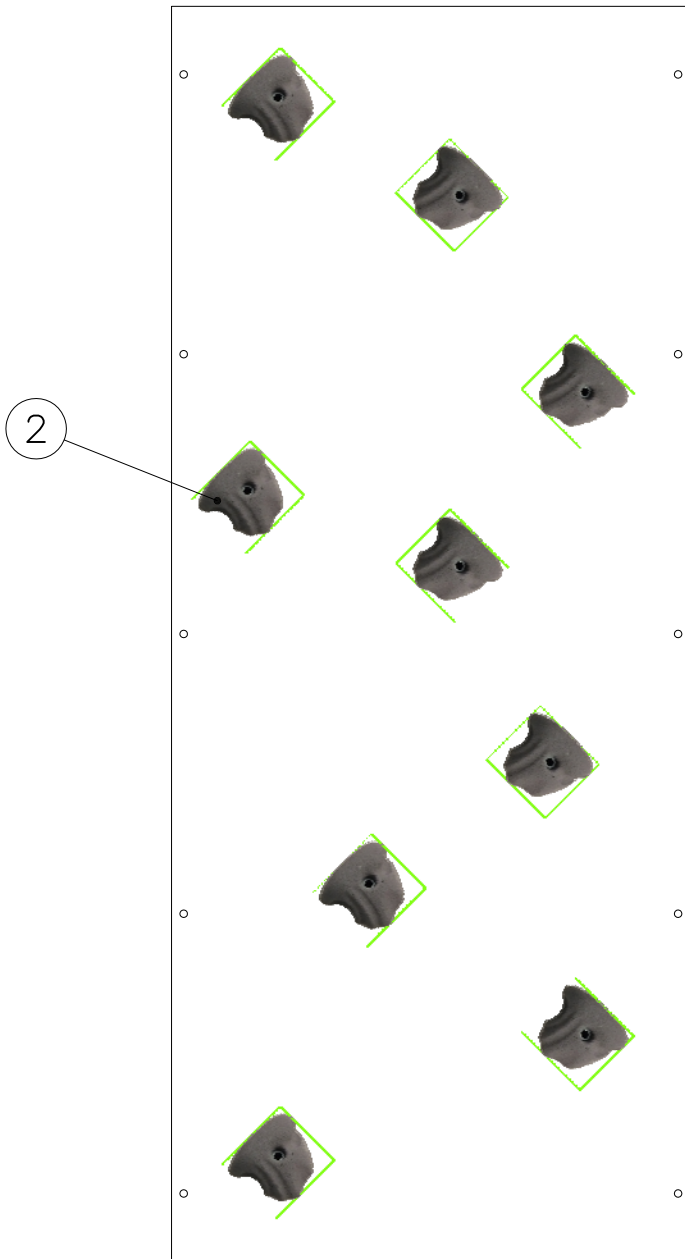
DET 1

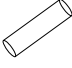
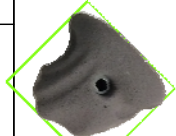
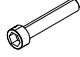
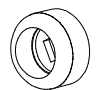








| | | | |
|---|-----|---|-----|
| ① 900240 | PCS | ② 900727 | PCS |
|  | 1 |  | 1 |
| Ø8x70 | | M10x80 | |
| | PCS | | PCS |
| | | | |
| | | | |
| ③ 907688 | PCS | ③ 907701 | PCS |
|  | 1 |  | 1 |
| 765 | | 545 | |
| | PCS | | PCS |
| | | | |
| | | | |
| | PCS | | PCS |
| | | | |
| | | | |
| | | | |
| | PCS | | PCS |
| | | | |
| | | | |
| | | | |
| | PCS | | PCS |
| | | | |
| | | | |





| | | | | | |
|---|---|-----|---|--------|-----|
| ① | 904336 | PCS | ②* | 906746 | PCS |
| |  | 9 |  | 9 | |
| | Ø6x20 | | Size L, Grey | | |
| ③ | 902232 | PCS | ④ | 905090 | PCS |
| |  | 9 |  | 9 | |
| | M10x55 | | Ø45 | | |
| ⑤ | 901302 | PCS | ⑥ | 909637 | PCS |
| |  | 9 |  | 9 | |
| | Ø20/10.5 | | M10 | | |
| ⑦ | 905115 | PCS | | | PCS |
| |  | 9 | | | |
| | Ø30 | | | | |
| | | PCS | | | PCS |
| | | | | | |
| | | PCS | | | PCS |
| | | | | | |
| ○ | 706646 | PCS | | | PCS |
| |  | 1 | | | |
| | 12x686x1660 | | | | |
| | | PCS | | | PCS |
| | | | | | |

HUOM!

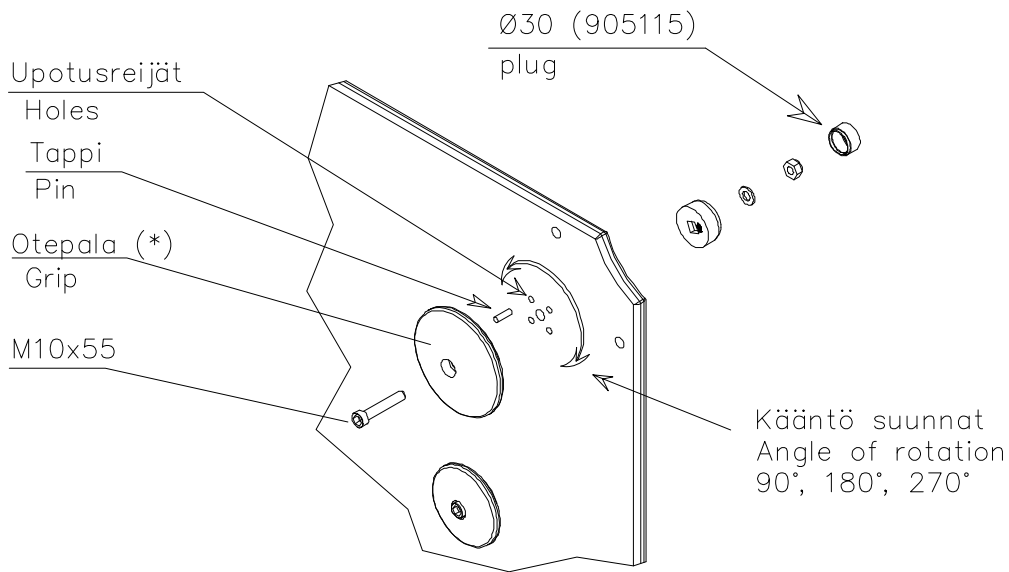
Otepalan asennus, säätö tai paikan vaihto.
Säätömahdollisuus (90°,180°,270°).

Jos asennetun otepalan suuntaa- tai paikkaa halutaan muuttaa. Irrota otepalan kiinnityspultti ja otepala, käännä tai vaihda. Siirrä tarvittaessa tappi oikeaan upotusreikään. Asenna avatut osat paikoilleen ja lopuksi kiinnitä muovitulppa Ø30 paikoilleen kaikkiin otekokoonpanoihin.

NOTE:

Grip positions and angles are adjustable (90°,180°270°).

Grip can be repositioned by removing the fastening bolt and pulling the grip off.
Securing pin can be repositioned when angle is changed.
After the parts are reassembled. Finish the assembly by fastening the cover plugs (Ø30).





Tuotekyltti tulee tuotteen mukana yhdellä seuraavista tavoista:

1) Metallinen tuotekyltti ja kiinnitysruuvit

- Kiinnitä tuotekyltti ruuveilla tolppaan noin 2 metrin korkeuteen kuvan 1 mukaisesti.

2) Tuotekyltitarra

- Puhdista maalattu metalli- tai vaneripinta pölystä ja kosteudesta. Liimaa tarra kuvan 2 mukaisesti.
- Huom. Älä kiinnitä tarraa karheapintaiseen laminaattiin tai maalattuun puuhun.

Vår produktmärkning levereras på ett av följande sätt:

1) Produktskylt i metall

- Fäst skylten med de medföljande skruvarna

2) Självhäftande produktetikett

- Rengör den pulverlackerade metallytan eller laminatyten så att den blir fri från smuts och fukt. Fäst etiketten enligt fig. 2.
- Obs! Fäst ej etiketten på detaljer med skrovlig yta eller på målat trä.

Product label is delivered by one of following ways:

1) Metal product label and screws

- Fasten the label with screws.

2) Label sticker

- Clean the painted metal or plywood surface from dirt and moisture. Fasten the sticker as shown in the figure 2.
- Note. Do not attach the sticker to rough surfaced laminate or painted wood.

La plaque d'informations produit est livrée sous l'une de ces 3 formes :

1) Plaque métallique et vis

- Fixez la plaque à l'aide des vis.

2) Etiquette autocollante

- Avant de coller l'étiquette, nettoyez le composant métallique peint ou la plaque de contreplaqué, de toute saleté. La surface doit être sèche (voir image 2).
- Attention, ne pas coller l'étiquette sur une surface lamellé-collée irrégulière ou sur du bois peint.

Die Auslieferung des Produktaufklebers erfolgt auf eine dieser Arten:

1) Produkt-Schild aus Metall incl. Schrauben

- Die Befestigung des Schildes erfolgt mittels der Schrauben.

2) Aufkleber

- Entfernen Sie zunächst Schmutz und Feuchtigkeit vom lackierten Metall bzw. von der Holzoberfläche und bringen Sie den Aufkleber wie im Bild oben rechts beschrieben auf den gesäuberten Untergrund auf.
- Beachten Sie: Bringen Sie den Aufkleber nicht auf raues laminiertes oder lackiertes Holz an.