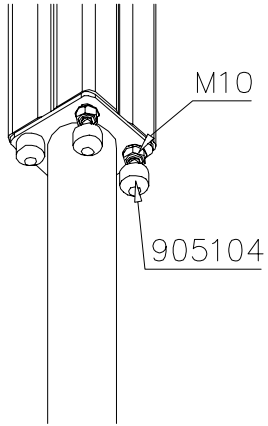
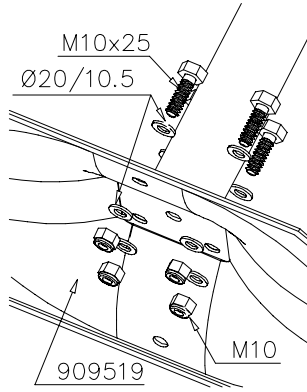


| | | | |
|----------|-----|----------|-----|
| ① 703132 | PCS | ② 905051 | PCS |
| | 1 | | 2 |
| ③ 905104 | PCS | ④ 909217 | PCS |
| | 4 | | 1 |
| ⑤ 909233 | PCS | ⑥ 909511 | PCS |
| | 1 | | 1 |
| ⑦ 909519 | PCS | ⑧ 909637 | PCS |
| | 1 | | 4 |
| ⑨ 909638 | PCS | ⑩ 909639 | PCS |
| | 8 | | 4 |
| | PCS | | PCS |
| | PCS | | PCS |
| | PCS | | PCS |

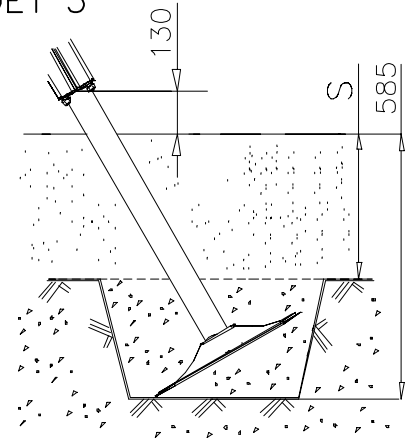
DET 1



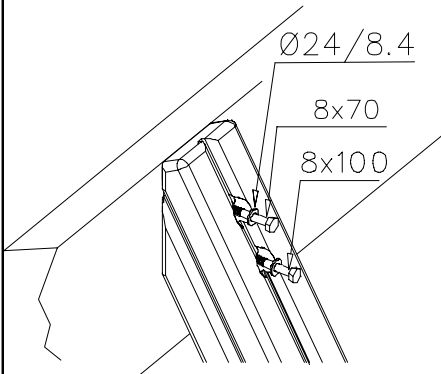
DET 2



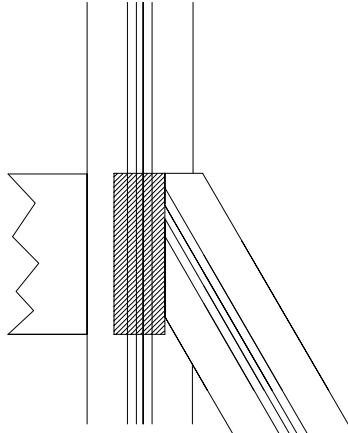
DET 3



DET 4



DET 5



LAPPSET®
DEEP FOUNDATION

FOOT

DATE: 13.3.2014

4A

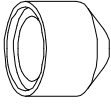


LAPPSET® BETON FOUNDATION

FOOT

DATE: 27.10.2015

1(1)

| | | | |
|---|-----|--|-----|
| ② 905104 | PCS | | PCS |
| | 4 | | |
|  | | | |
| M10 | | | |
| | PCS | | PCS |
| | | | |
| | | | |



905104

LAPPSET® DEEP FOUNDATION

FOOT

DATE: 15.5.2018

1(1)



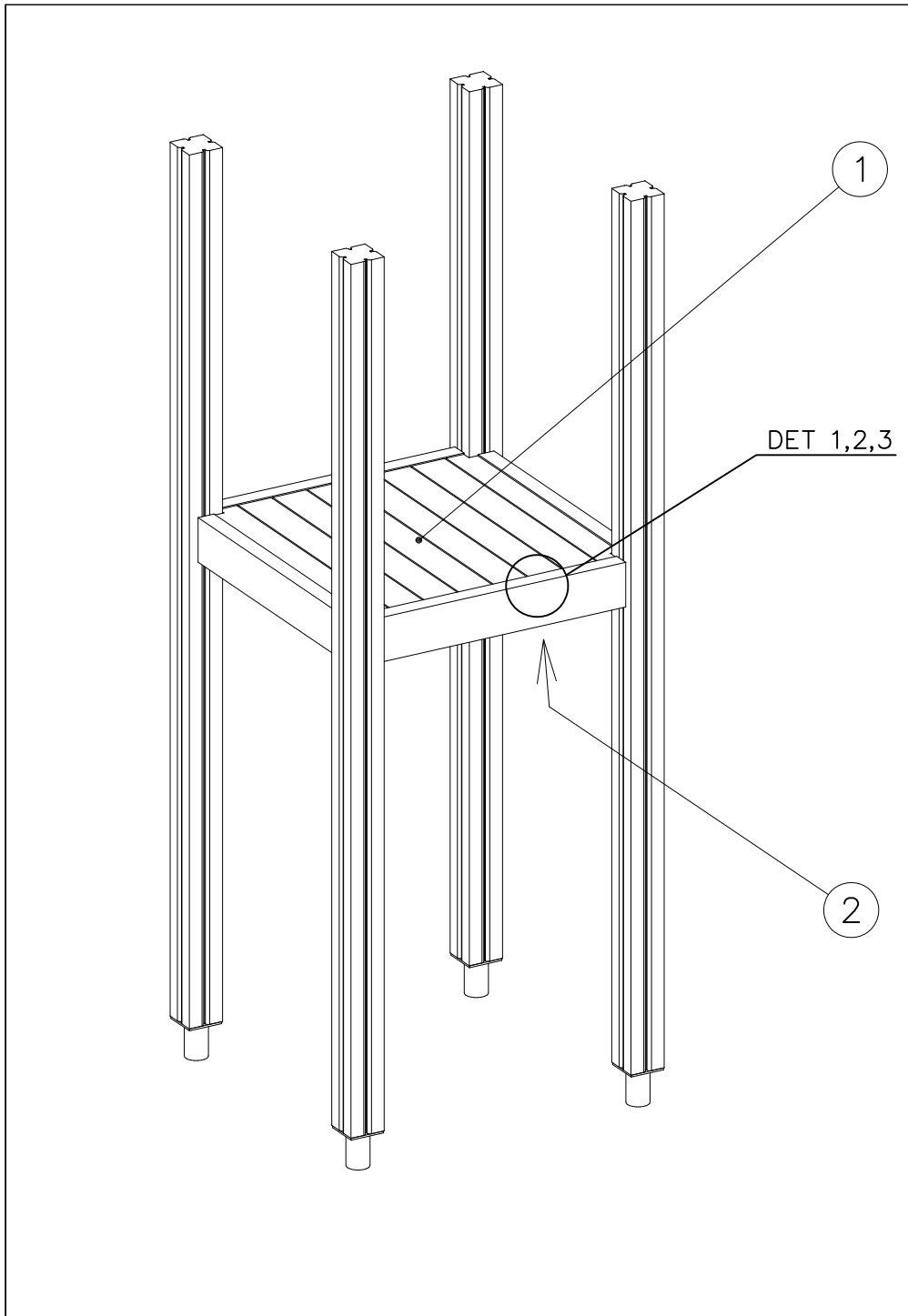
| | | | | | |
|---|-----------|-----|---|------------|-----|
| ① | 909511 | PCS | ② | 909519 | PCS |
| | | 1 | | | 1 |
| | 90x90x650 | | | 50x380x380 | |

| | | | | | |
|---|--------|-----|---|----------|-----|
| ③ | 909637 | PCS | ④ | 909638 | PCS |
| | | 4 | | | 8 |
| | M10 | | | Ø20/10.5 | |

| | | | | | |
|---|--------|-----|---|--------|-----|
| ⑤ | 909639 | PCS | ⑥ | 905104 | PCS |
| | | 4 | | | 4 |
| | M10x25 | | | M10 | |

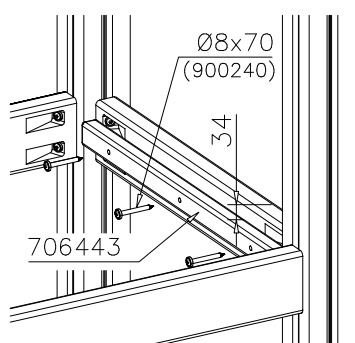
OPTION FOOT

| | | | | | |
|---|-----------|-----|--|--|-----|
| ① | 911155 | PCS | | | PCS |
| | | 1 | | | |
| | 90x90x650 | | | | |



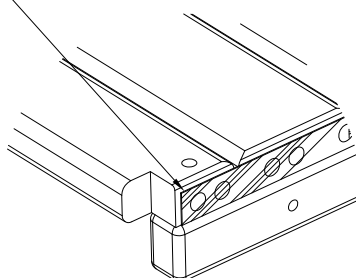
| | | | |
|---|-----|---|-----|
| ① 008986 | PCS | ② 706443 | PCS |
|  | 1 |  | 2 |
| 750x750 | | 32x45x702 | |
| ③ 900240 | PCS | ④ 980101 | PCS |
|  | 6 |  | 8 |
| Ø8x70 | | Ø4.5x70 | |
| | PCS | | PCS |
| | | | |
| | PCS | | PCS |
| | | | |
| | PCS | | PCS |
| | | | |

DET 1

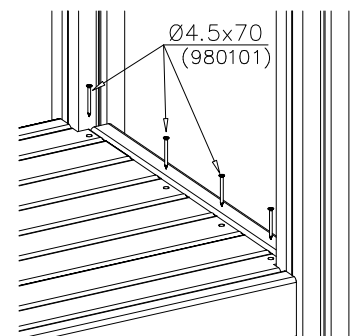


DET 2

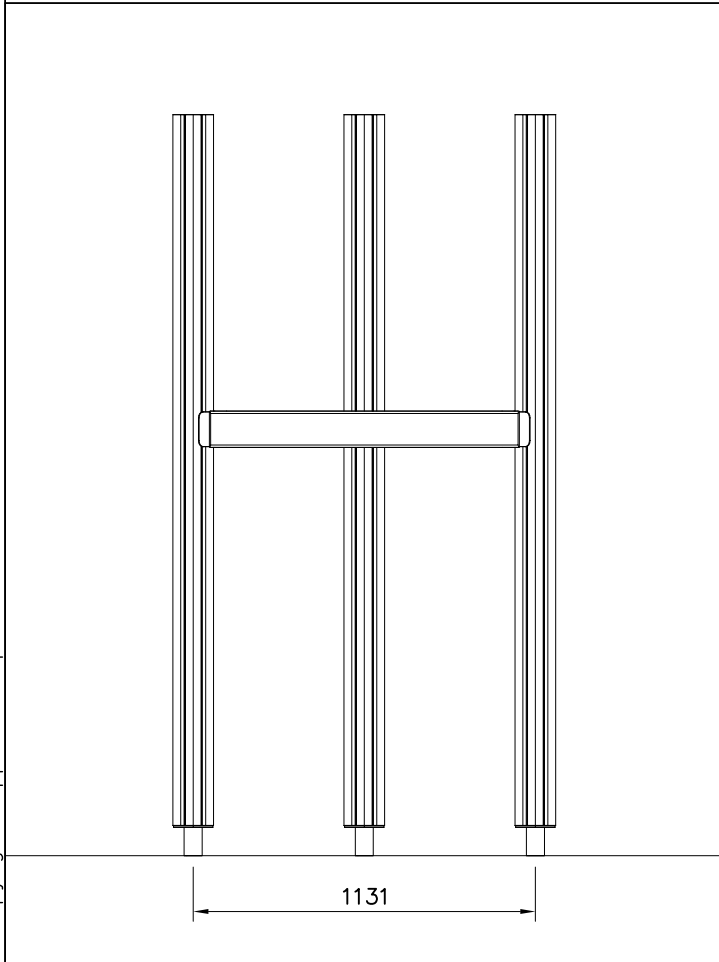
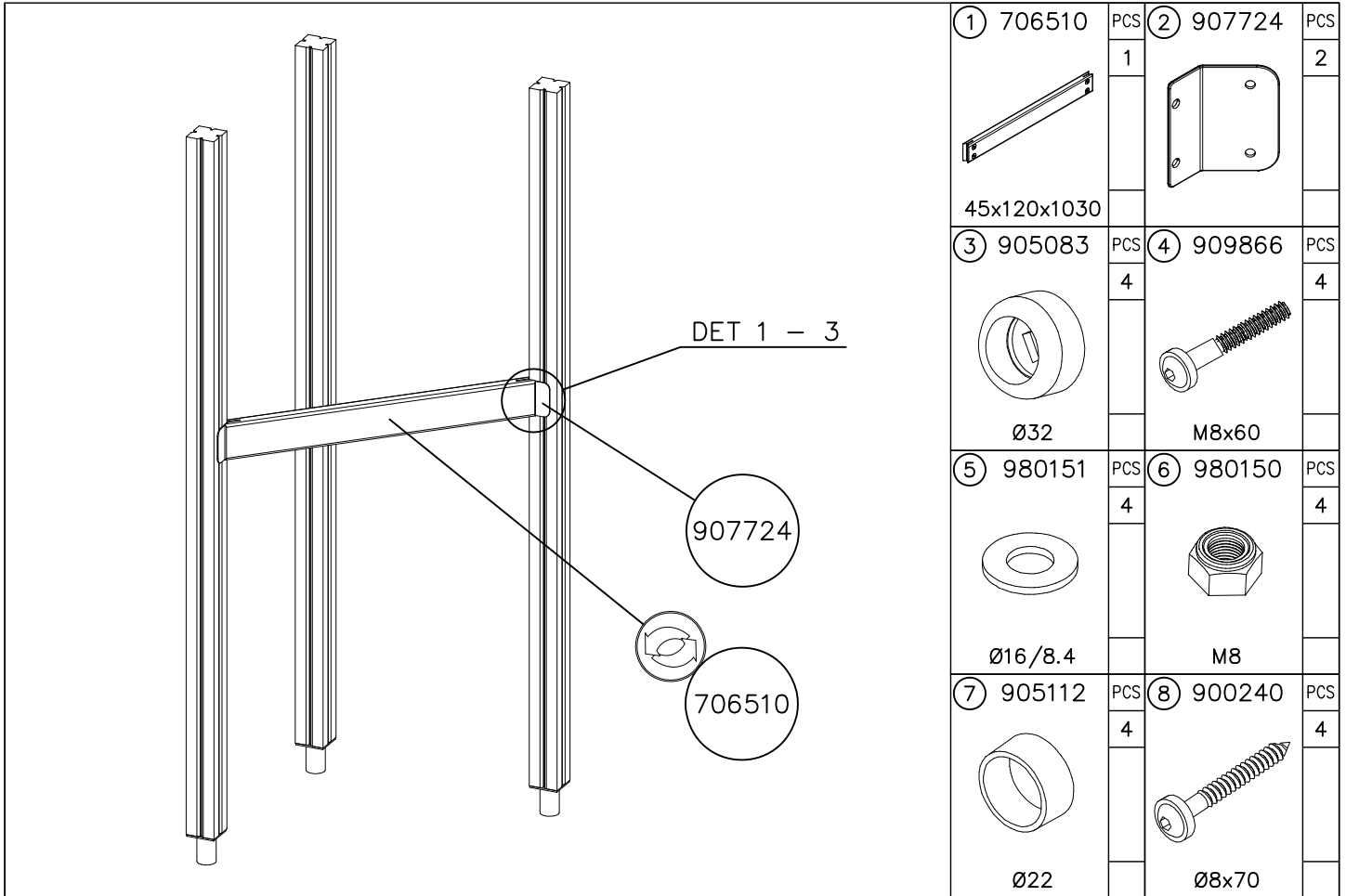
Naulanauha kannatinlistan puolelle.
Nail list to the bottom.



DET 3

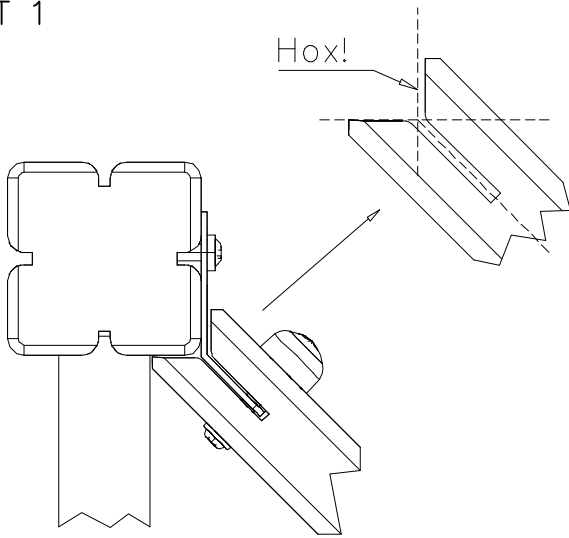




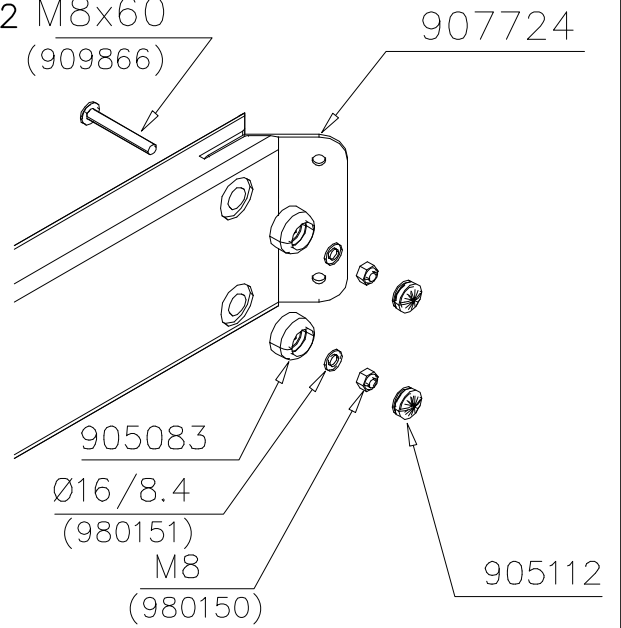


| BOOM OPTIONS | | |
|--------------|------------|-------------|
| 706510 | 706510-602 | DARK BROWN |
| | 706510-603 | LIGHT BROWN |
| | 706510-604 | LIGHT GRAY |
| | | |
| 45x120x1030 | | |
| | | |
| | | |

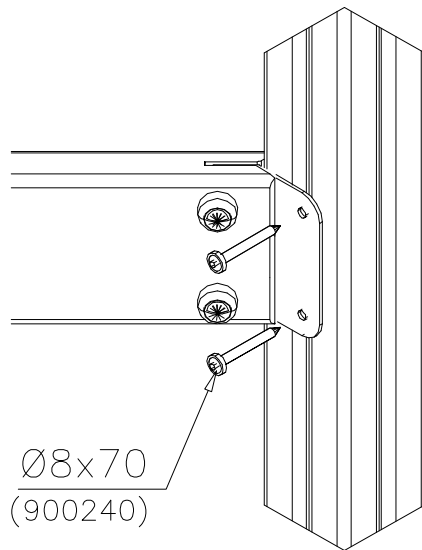
DET 1

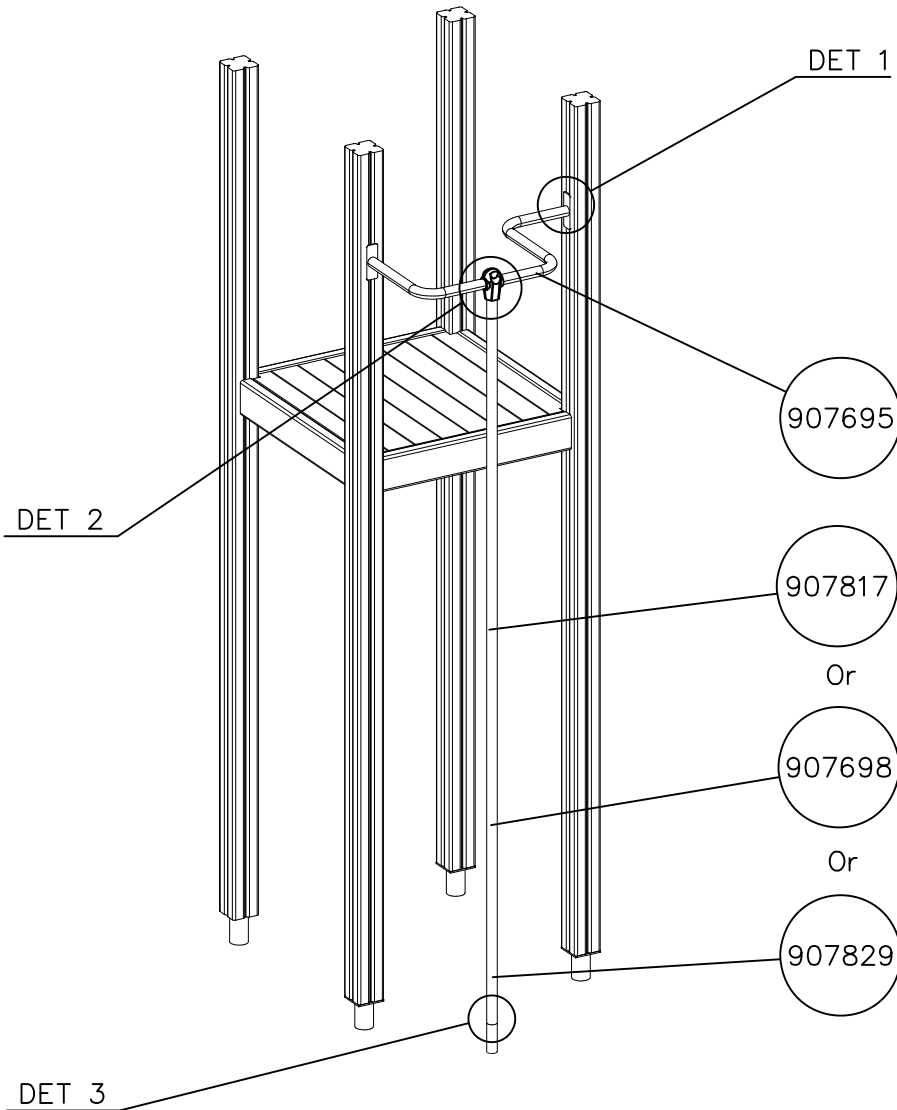


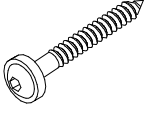
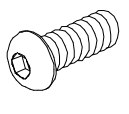
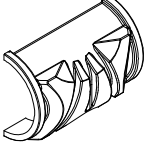

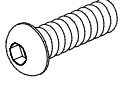

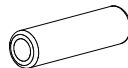




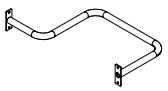
DET 2 M8x60
 (909866)

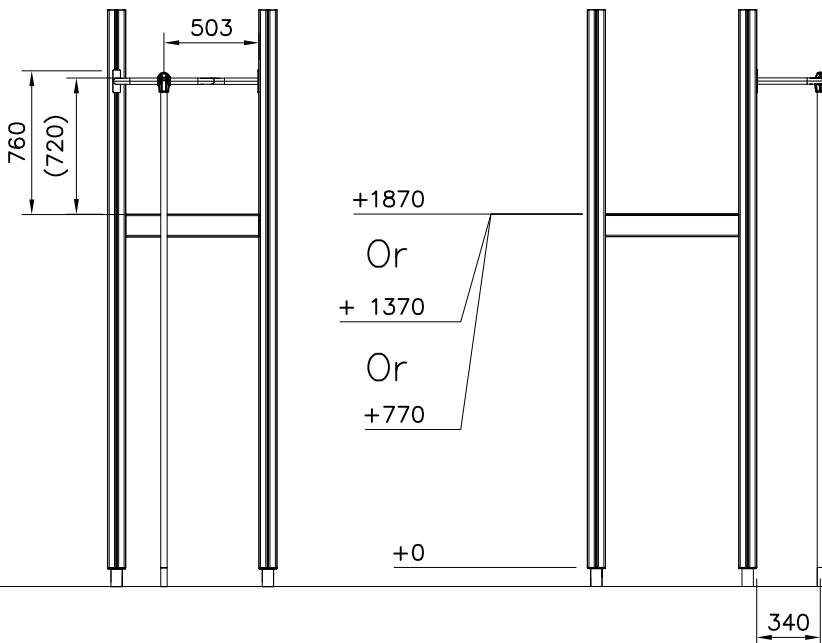


DET 3

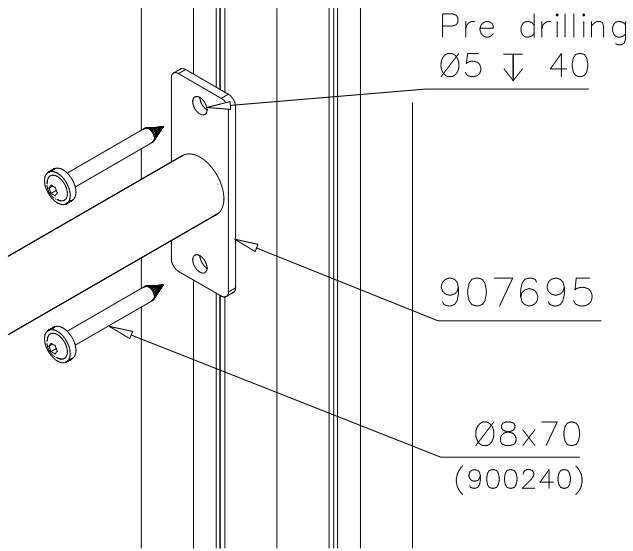




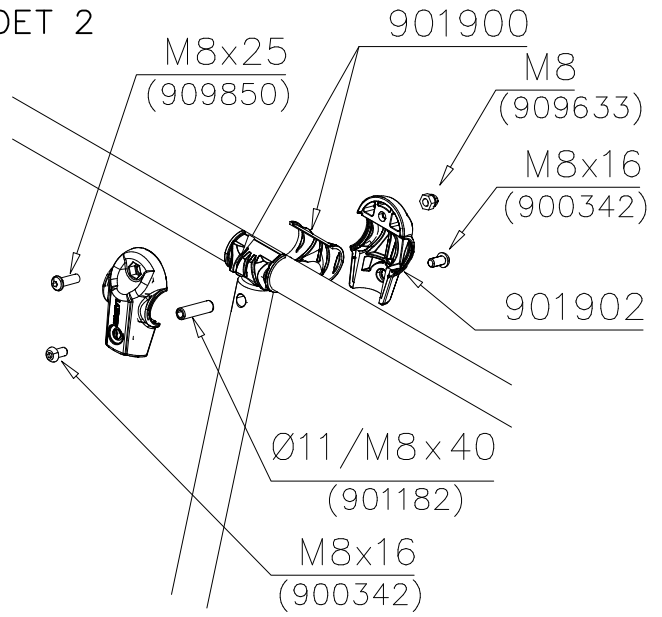
| | | | |
|---|-----|---|-----|
| ① 900240 | PCS | ② 900342 | PCS |
|  | 4 |  | 2 |
| Ø8x70 | | M8x16 | |
| ③ 901900 | PCS | ④ 901939 | PCS |
|  | 2 |  | 1 |
| 20.5x36.2x56 | | M12x70 | |
| ⑤ 909850 | PCS | ⑥ 980150 | PCS |
|  | 1 |  | 1 |
| M8x25 | | M8 | |
| ⑦ 901182 | PCS | ⑧ 901902 | PCS |
|  | 1 |  | 2 |
| Ø11/M8x40 | | 30.7x60.9x100 | |
| | PCS | | PCS |
| | | | |
| | PCS | | PCS |
| | | | |
| ○ 907829 | PCS | ○ 907698 | PCS |
|  | 1 |  | 1 |
| Ø33,7x1454 | | Ø33,7x2054 | |
| ○ 907817 | PCS | ○ 907695 | PCS |
|  | 1 |  | 1 |
| Ø33,7x2554 | | | |



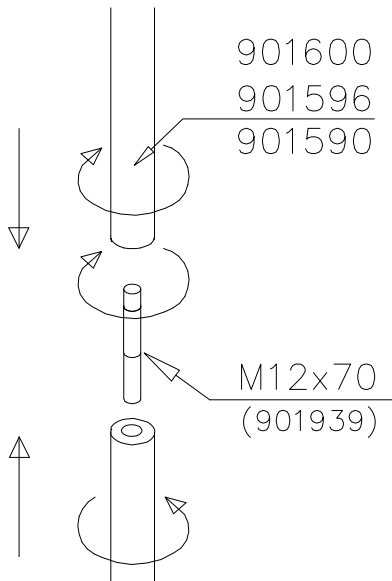
DET 1



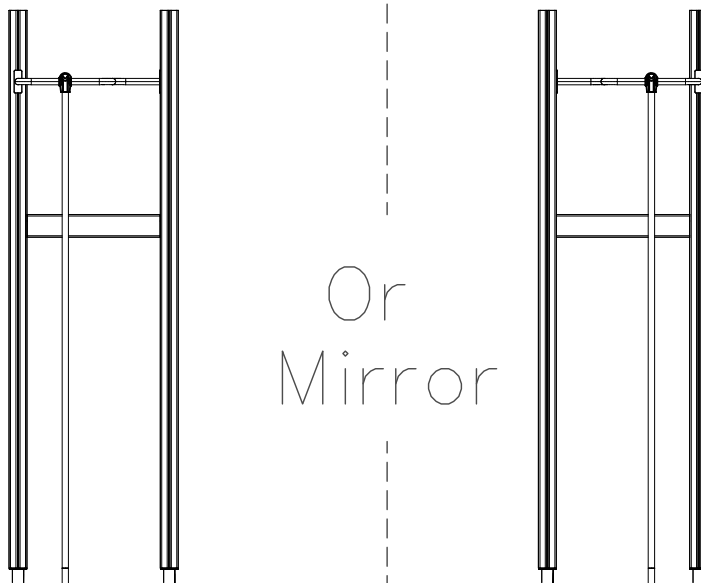
DET 2



DET 3



DET 4

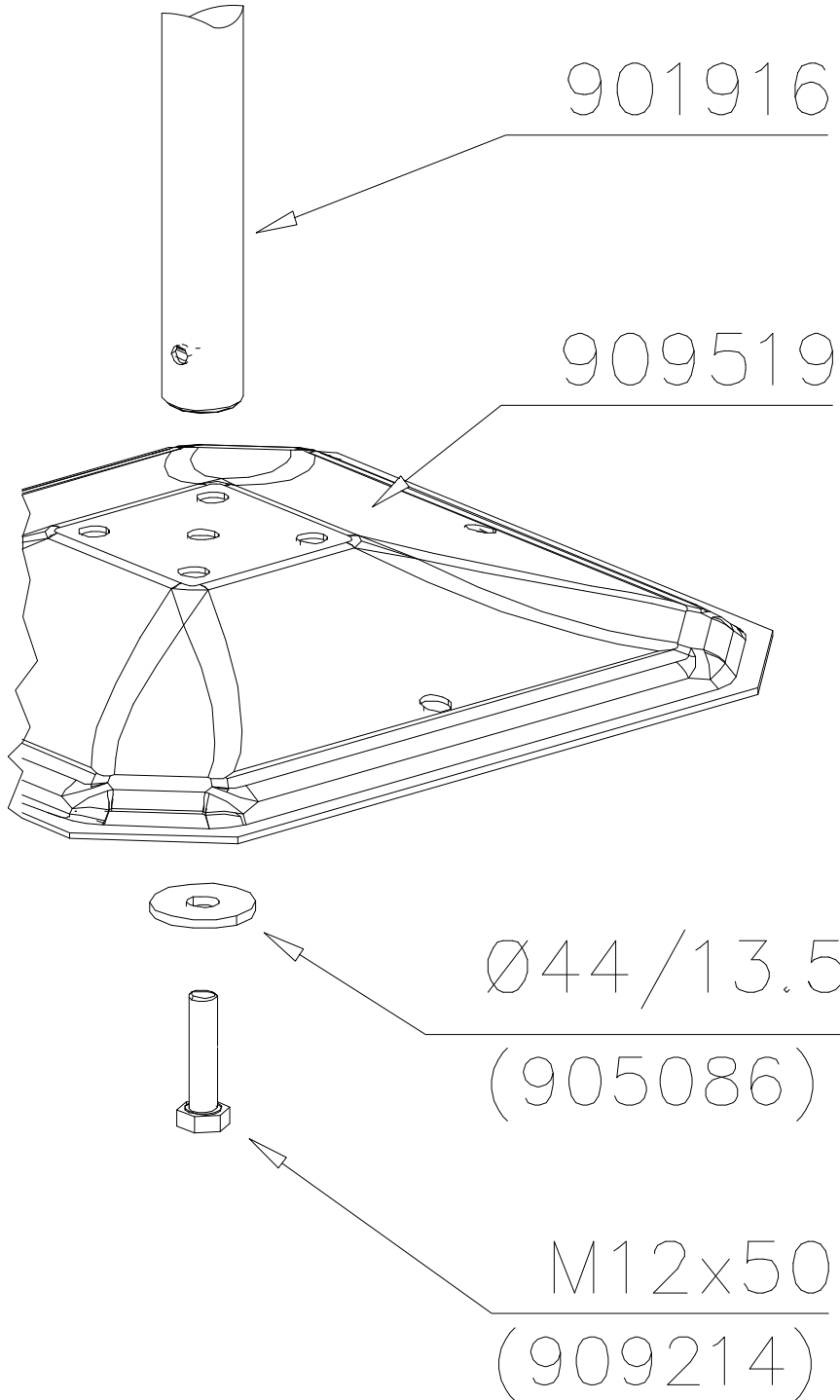
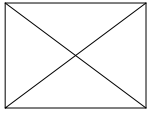


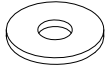
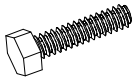
LAPPSET® DEEP FOUNDATION

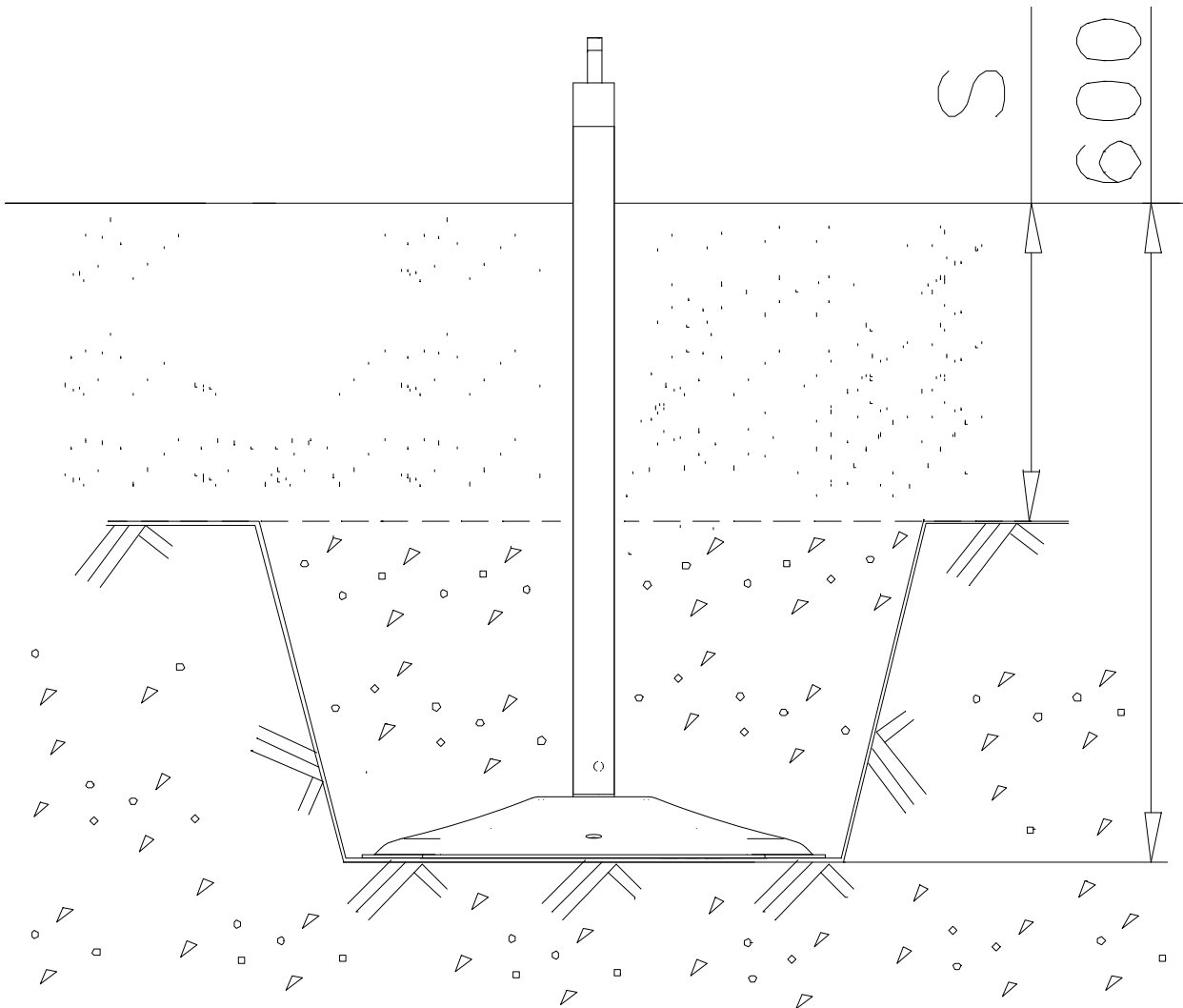
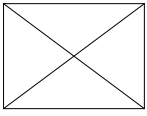
POLE

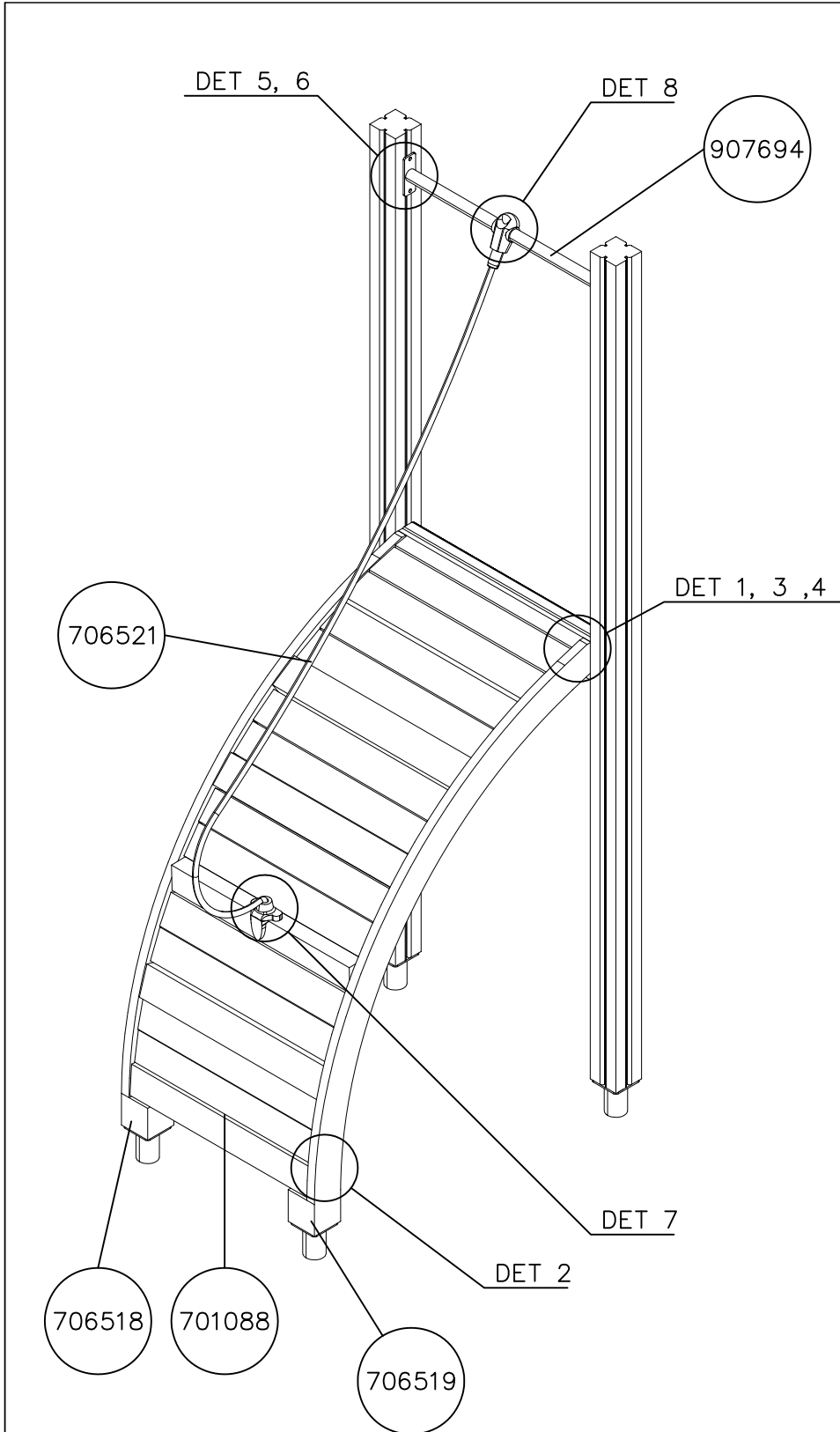
DATE: 15.5.2014

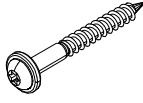
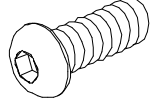
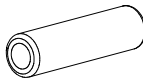
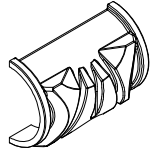

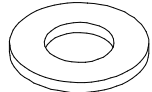
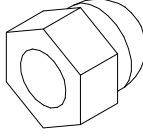
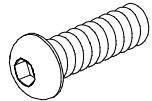
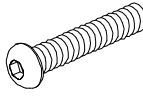
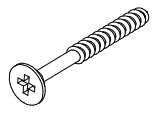


1(1)

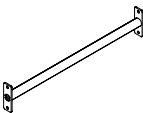
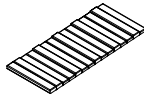
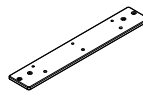





| ① | 905086 | PCS | ② | 909214 | PCS |
|---|---|-----|---|--------|-----|
| |  | 1 |  | | 1 |
| | Ø44/13.5 | | M12x50 | | |
| | | PCS | | | PCS |
| | | | | | |
| | | PCS | | | PCS |
| | | | | | |
| | | PCS | | | PCS |
| | | | | | |
| | | PCS | | | PCS |
| | | | | | |
| | | PCS | | | PCS |
| | | | | | |
| | | PCS | | | PCS |
| | | | | | |
| | | PCS | | | PCS |
| | | | | | |
| | | PCS | | | PCS |
| | | | | | |





| | | | |
|---|-----|---|-----|
| ① 900240 | PCS | ② 900342 | PCS |
|  | 12 |  | 2 |
| Ø8x70 | | M8x16 | |
| ③ 901182 | PCS | ④ 901900 | PCS |
|  | 1 |  | 2 |
| Ø11/M8x40 | | 20.5x36.2x56 | |
| ⑤ 901902 | PCS | ⑥ 909256 | PCS |
|  | 2 |  | 4 |
| 30.7x60.9x100 | | Ø16/8.4x1.6 | |
| ⑦ 909633 | PCS | ⑧ 909850 | PCS |
|  | 1 |  | 1 |
| M8 | | M8x25 | |
| ⑨ 909855 | PCS | ⑩ 980107 | PCS |
|  | 4 |  | 3 |
| M8x35 | | Ø6x60 | |
| ⑪ 980123 | PCS | ⑫ 980128 | PCS |
|  | 2 |  | 4 |
| Ø7x60 | | Ø7x40 | |

| | | | | | | | | | | | |
|---|-----|---|-----|---|-----|--|-----|---|-----|---|-----|
| ○ 907694 | PCS | ○ 701088 | PCS | ○ 701092 | PCS | ○ 706521 | PCS | ○ 706518 | PCS | ○ 706519 | PCS |
|  | 1 |  | 1 |  | 1 |  | 1 |  | 1 |  | 1 |
| L 704 | | 45x645x1670 | | 15x120x700 | | L 2120 | | 95x1005x1365 | | 95x1005x1365 | |

ROPE OPTIONS

706521

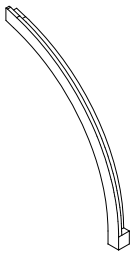


706521-301 BLUE
706521-302 RED
706521-303 BEIGE

706521-304 GRAY
706521-305 BLACK
706521-306 YELLOW

LEFT ARCH OPTIONS

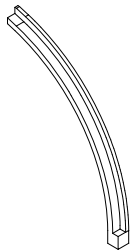
706518



706518-602 DARK BROWN
706518-603 LIGHT BROWN
706518-604 LIGHT GRAY

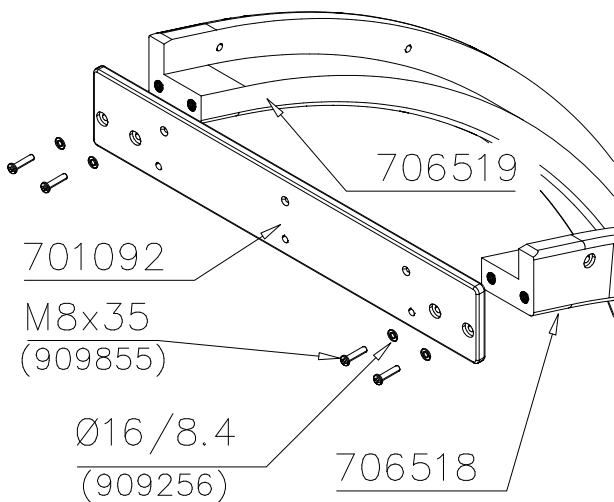
RIGHT ARCH OPTIONS

706519

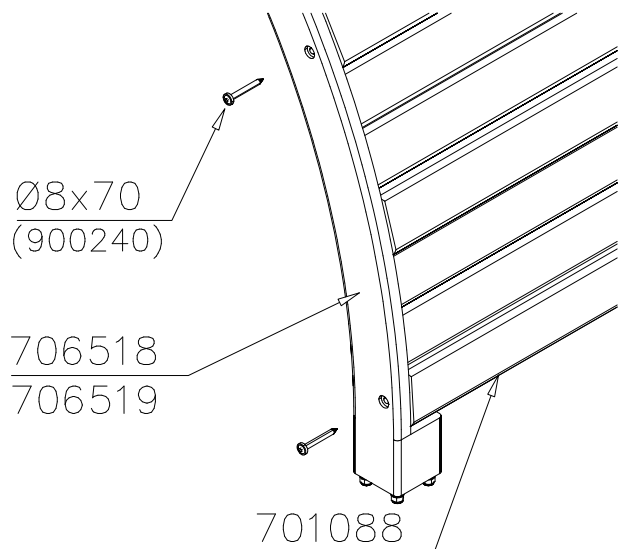


706519-602 DARK BROWN
706519-603 LIGHT BROWN
706519-604 LIGHT GRAY

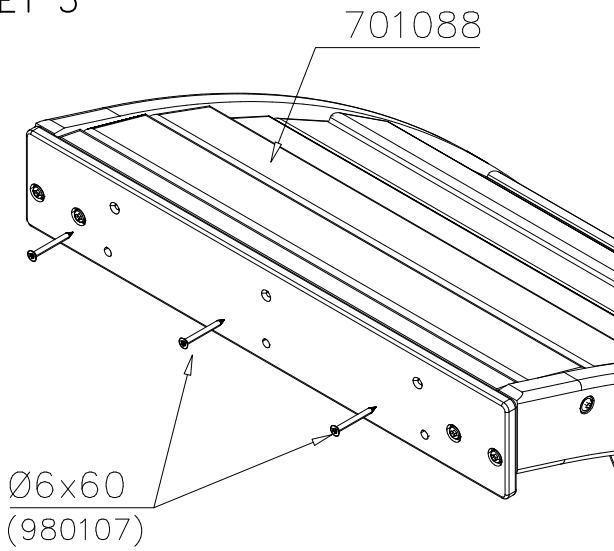
DET 1



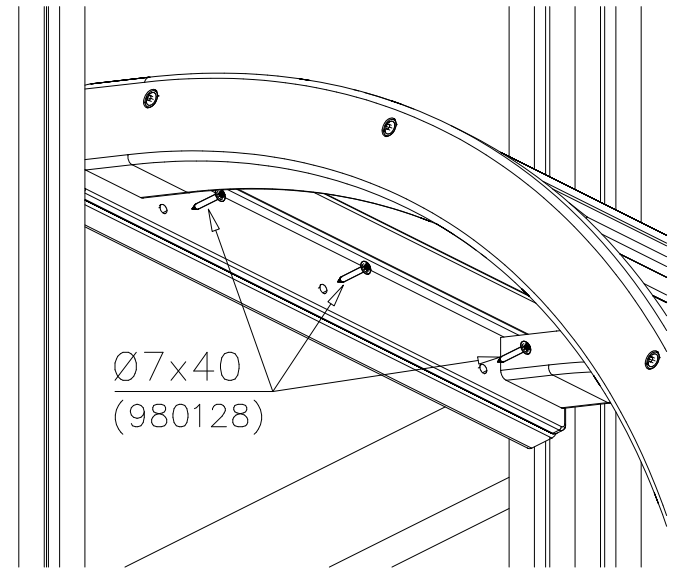
DET 2



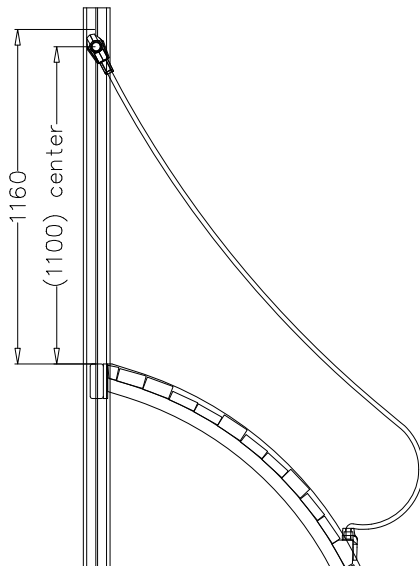
DET 3



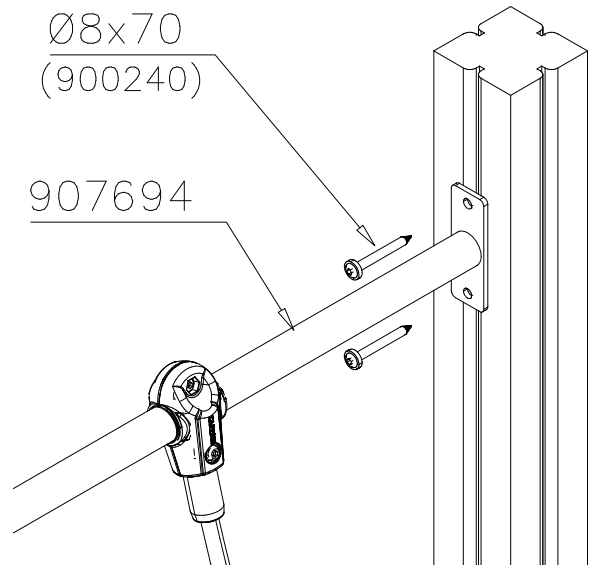
DET 4



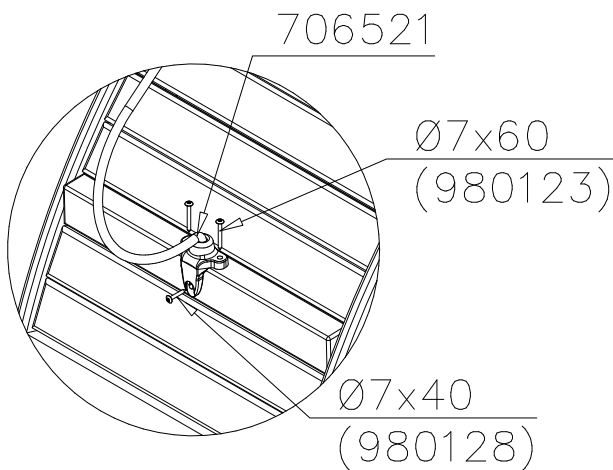
DET 5



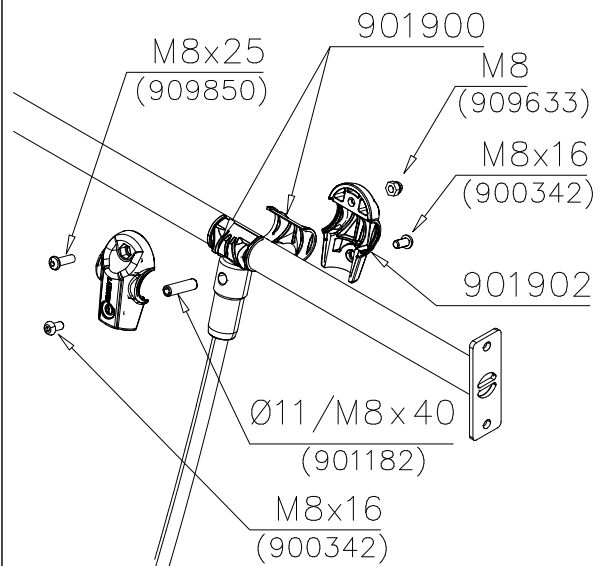
DET 6

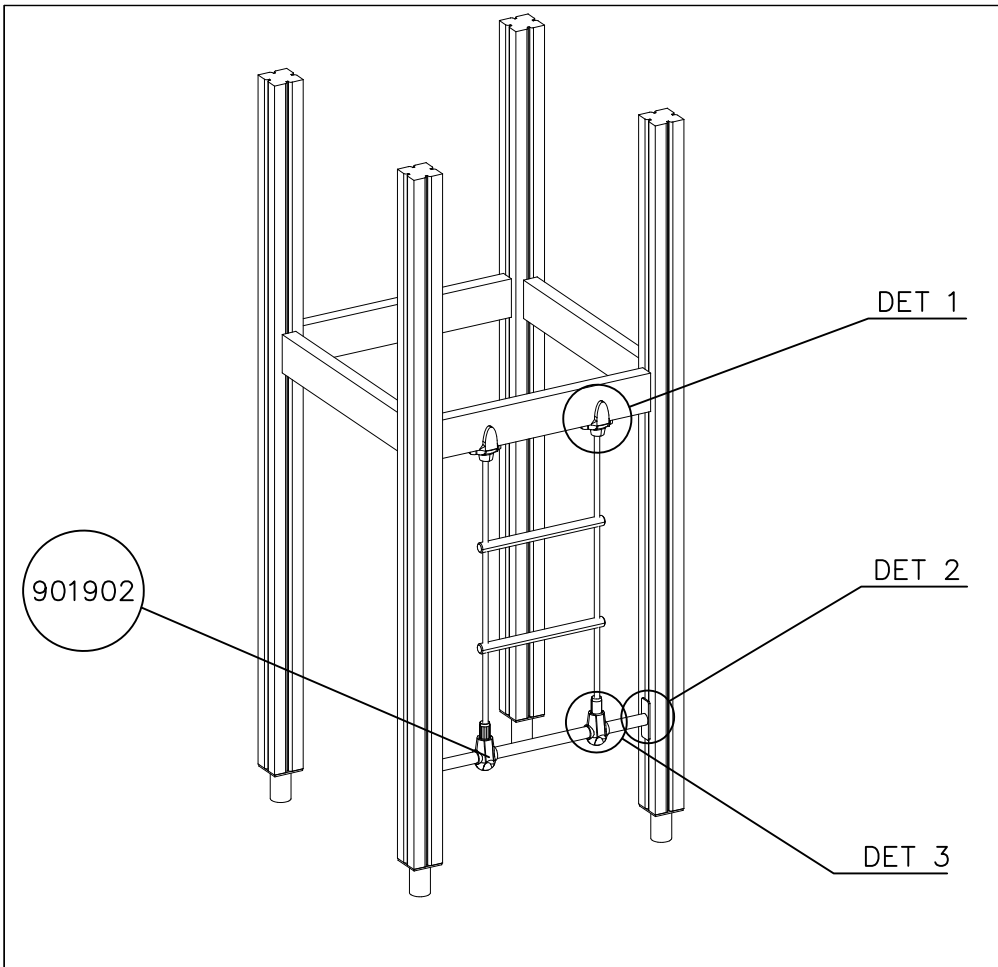




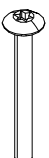
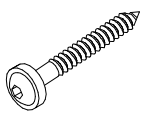
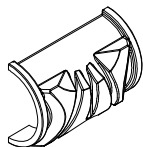
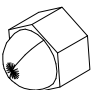
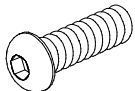
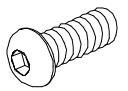
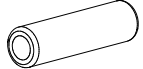
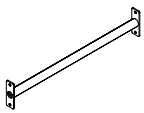
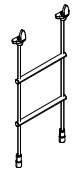
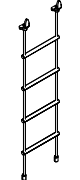
DET 7

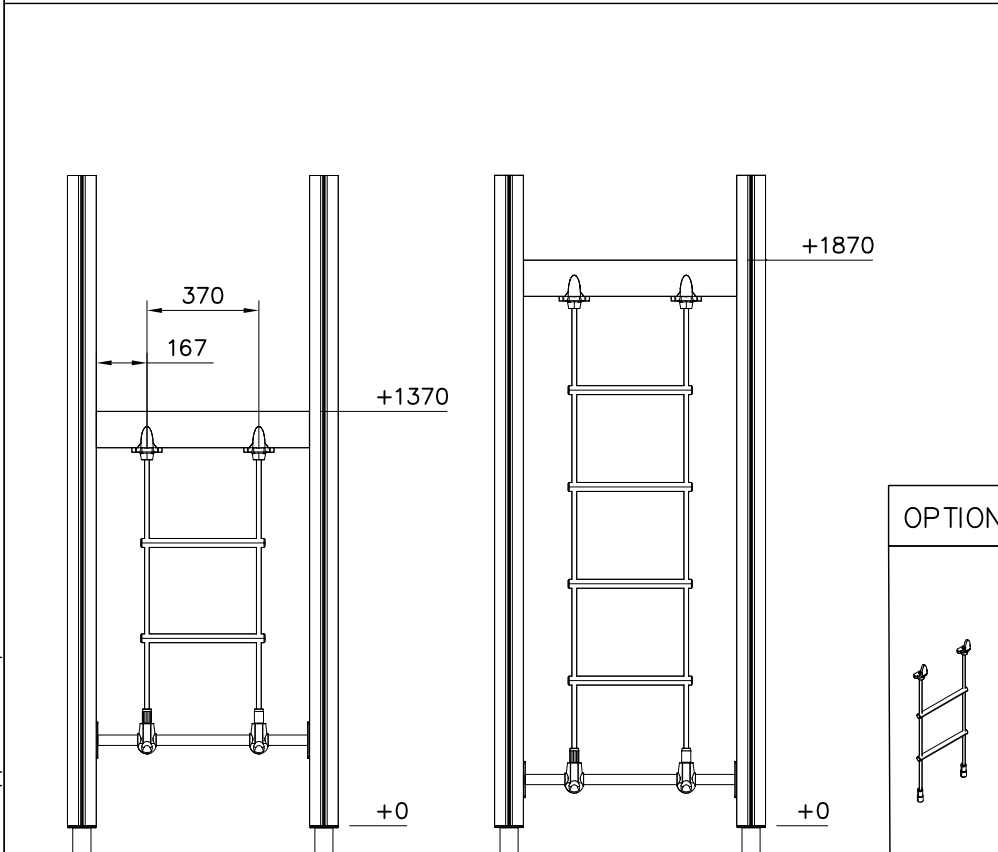


DET 8

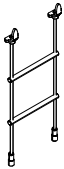
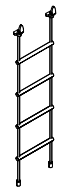




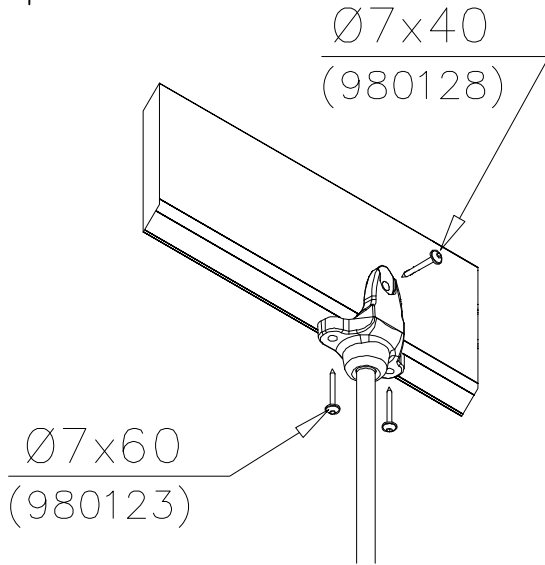
| | | | |
|---|----------|---|----------|
| ① 901902 | PCS 4 | ② 980128 | PCS 2 |
|  | |  | |
| 30x61x100 | | Ø7x40 | |
| ③ 980123 | PCS 4 | ④ 900240 | PCS 4 |
|  | |  | |
| Ø7x60 | | Ø8x70 | |
| ⑤ 901900 | PCS 4 | ⑥ 909633 | PCS 2 |
|  | |  | |
| 20.5x36.2x56 | | M8 | |
| ⑦ 909850 | PCS 2 | ⑧ 900342 | PCS 4 |
|  | |  | |
| M8x25 | | M8x16 | |
| ⑨ 901182 | PCS 2 | ○ 907694 | PCS 1 |
|  | |  | |
| Ø11/M8x40 | | L 704 | |
| ○ 706473 | PCS 1 | ○ 706780 | PCS 1 |
|  | |  | |
| +1470 | | +1970 | |



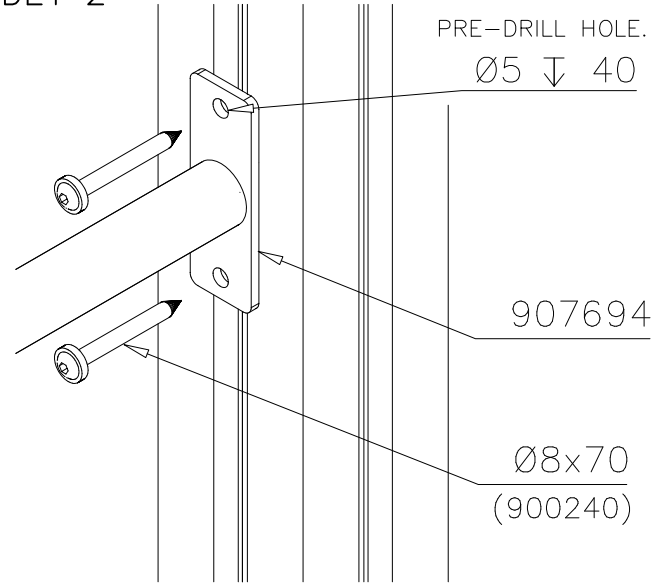
OPTIONS

| | | |
|---|------|--------|
|  | -301 | BLUE |
|  | -302 | RED |
| | -303 | BEIGE |
| | -304 | GRAY |
| | -305 | BLACK |
| | -306 | YELLOW |

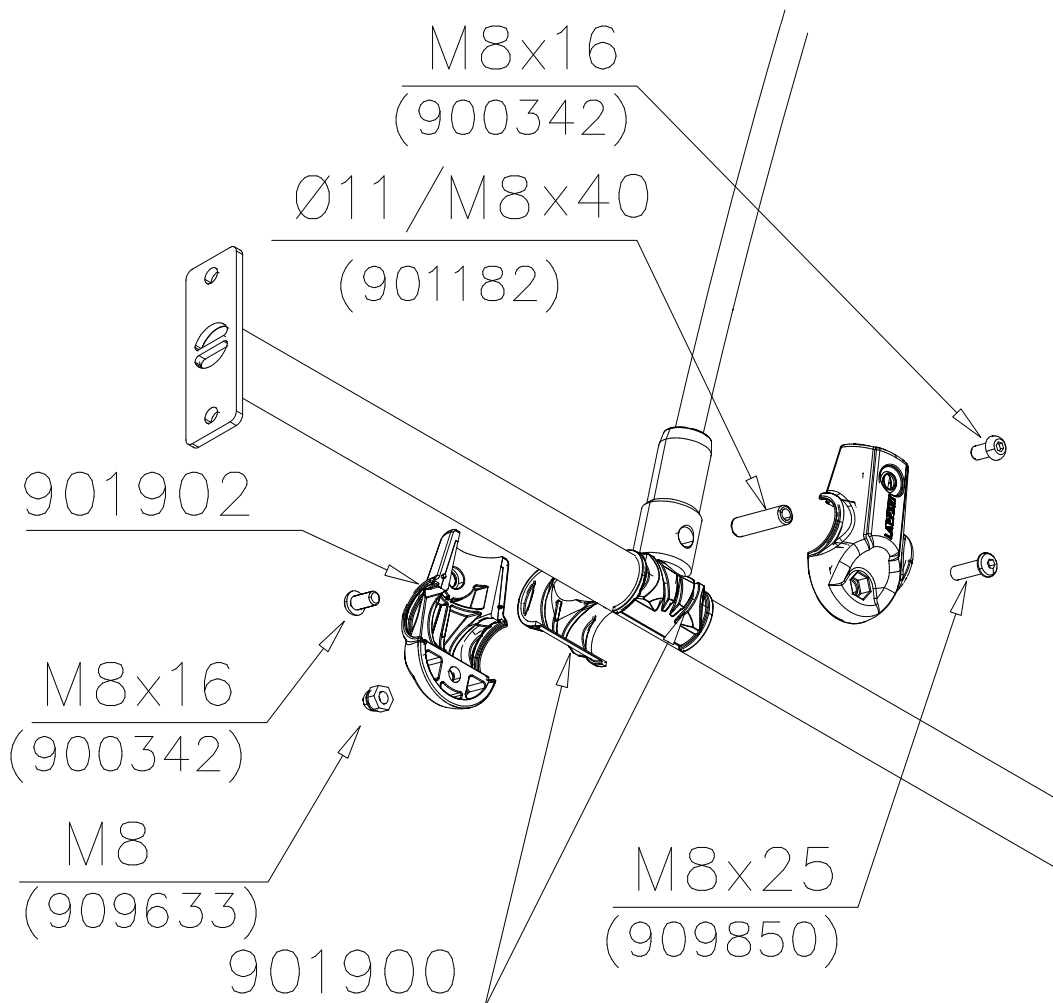
DET 1

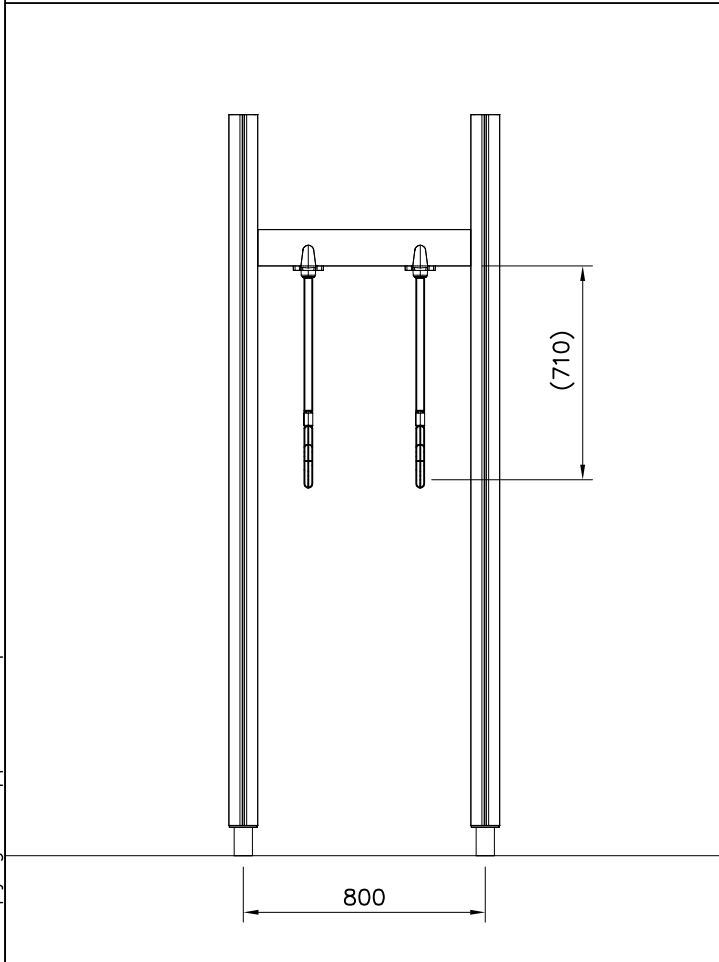
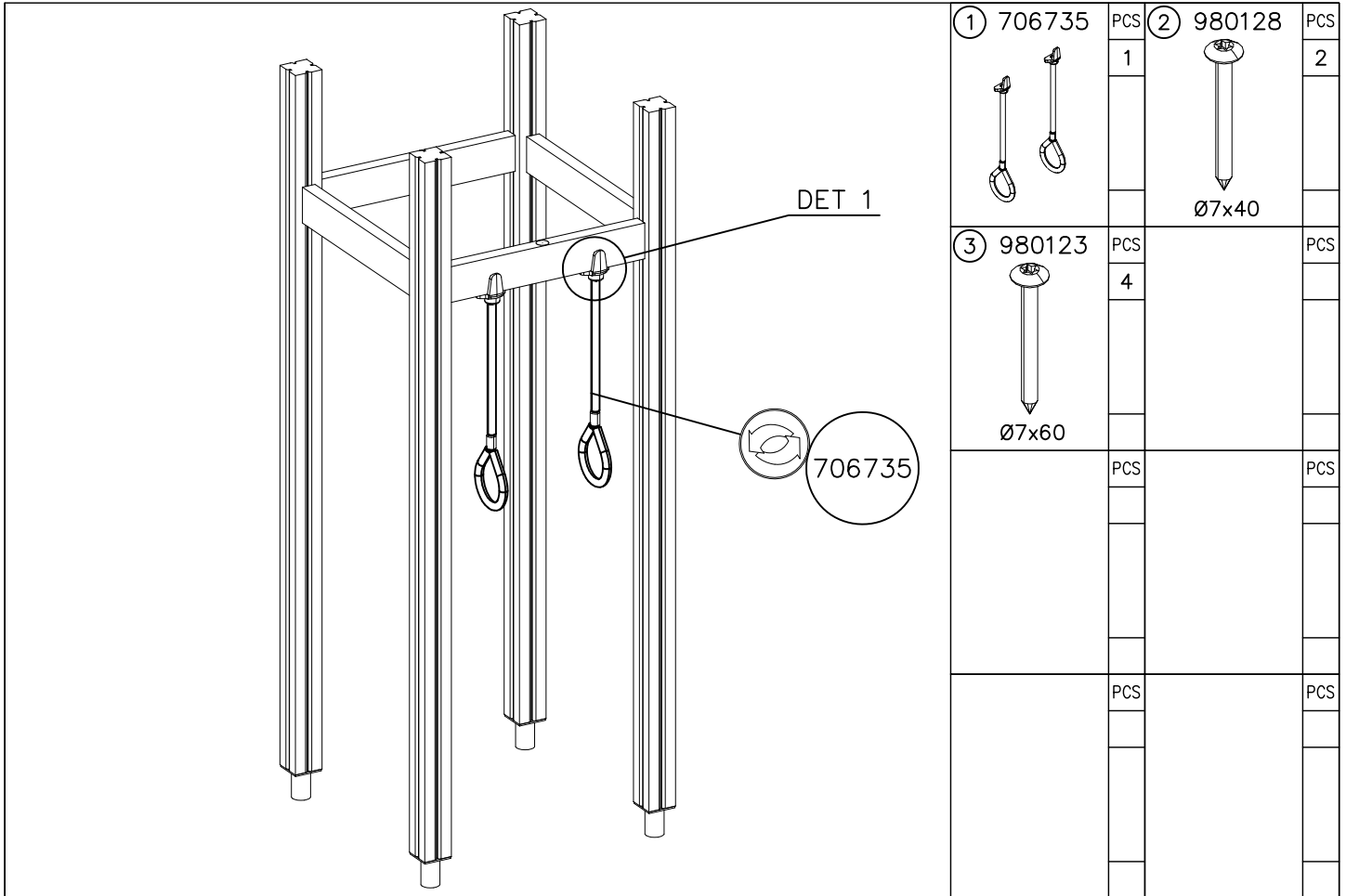


DET 2

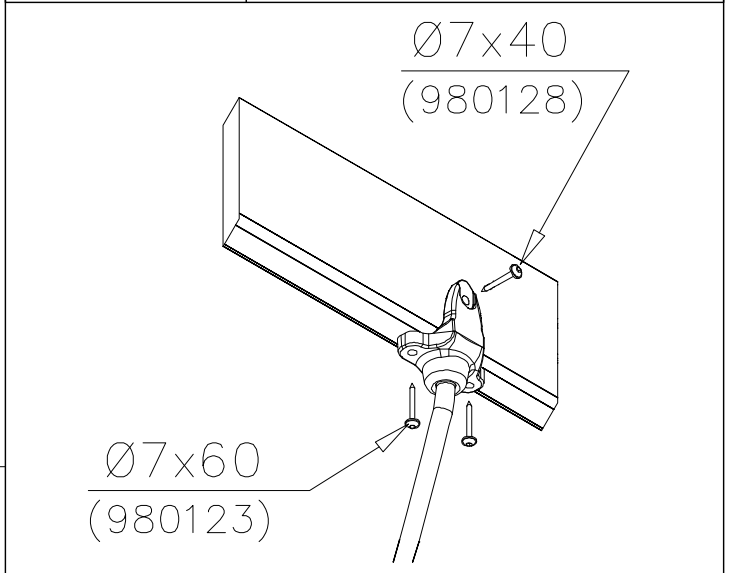


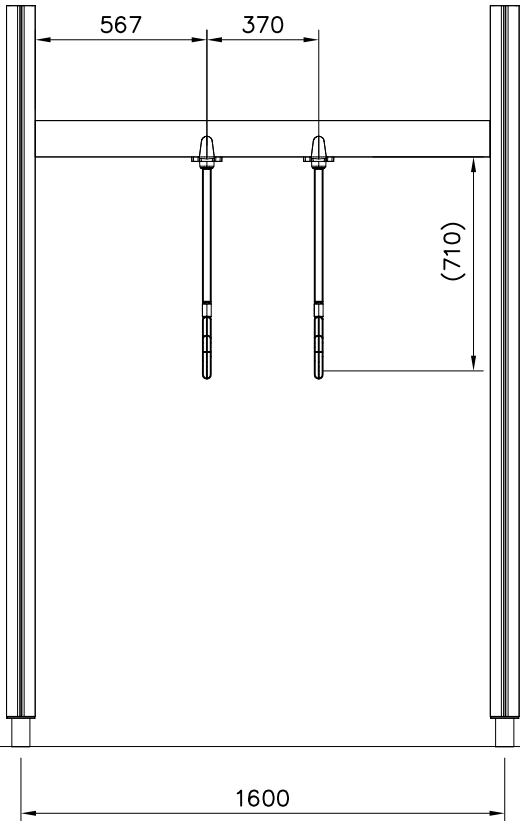
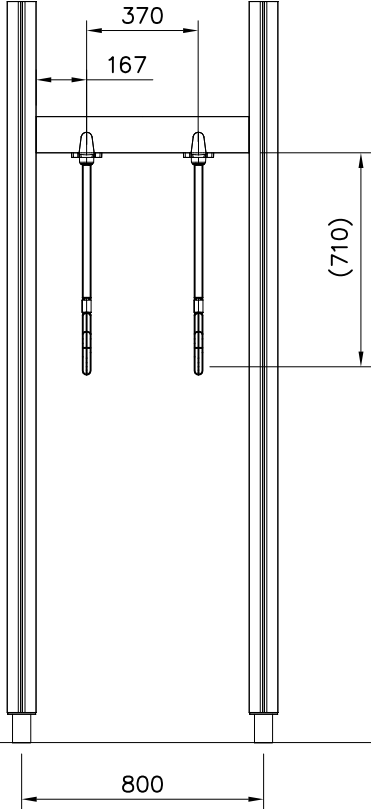
DET 3





| RINGS OPTIONS | | |
|---------------|------------|--------|
| 706735 | 706735-301 | BLUE |
| | 706735-302 | RED |
| | 706735-303 | BEIGE |
| | 706735-304 | GRAY |
| | 706735-305 | BLACK |
| | 706735-306 | YELLOW |



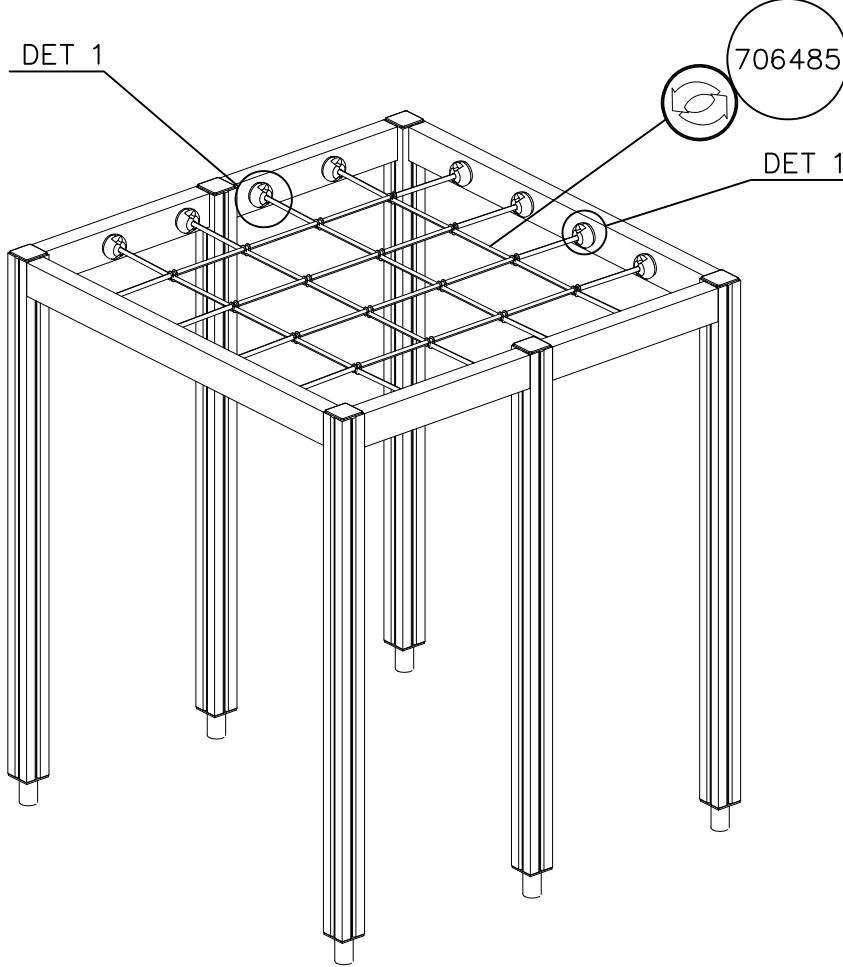


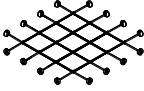

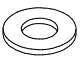
| | | | |
|------------|-----|-------------|-----|
| ① 706746 | PCS | ② 909530 | PCS |
| | 1 | | 4 |
| 45x640x701 | | 55.9x127.5 | |
| ③ 900240 | PCS | ④ 980151 | PCS |
| | 4 | | 4 |
| Ø8x70 | | Ø16/8.4x1.6 | |
| ⑤ 905112 | PCS | | PCS |
| | 4 | | |
| Ø22 | | | |
| | PCS | | PCS |



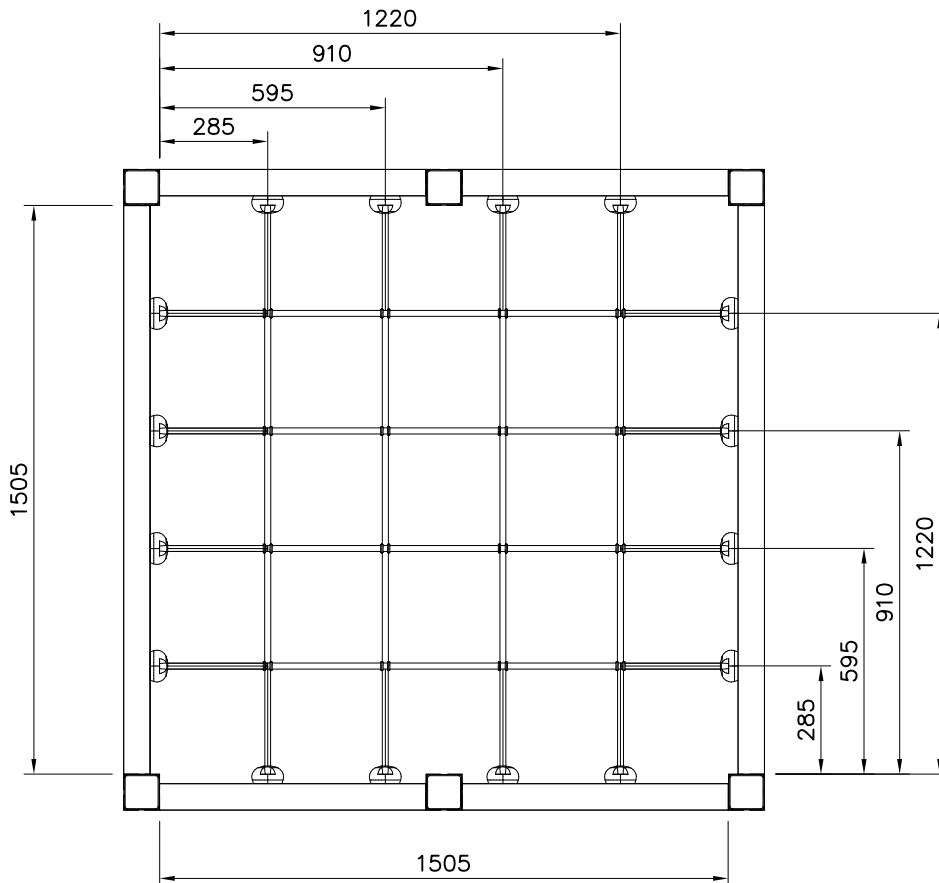
| WALL OPTIONS | | |
|--------------------------|------------|-----------|
| 706746 45x640x701 | 706746-605 | DARK GRAY |
| | 706746-606 | GRAY |
| | 706746-607 | RED |
| | 706746-608 | BLUE |
| | 706746-609 | GREEN |
| | 706746-610 | YELLOW |
| | 706746-611 | LIME |
| | 706746-612 | FUXIA |

| | |
|---|----------------------------|
| <p>DET 1</p> <p>909530</p> <p>Ø16/8.4 (980151)</p> <p>Ø8x70 (900240)</p> <p>905112</p> <p>175</p> | <p>DET 2</p> <p>909530</p> |
| <p>DET 3</p> <p>Ø16/8.4 (980151)</p> <p>Ø8x70 (900240)</p> <p>905112</p> | |
| | |



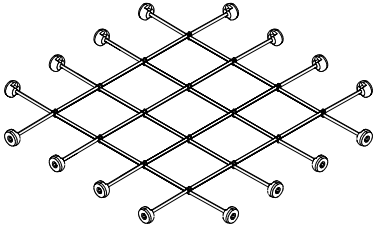
| | | | |
|---|-----|---|-----|
| ① 706485 | PCS | ② 980123 | PCS |
|  | 1 |  | 32 |
| 1555x1555 | | Ø7x60 | |
| | PCS | ③ 909256 | PCS |
| | |  | 32 |
| | | Ø16/8.4 | |
| | PCS | | PCS |
| | | | |
| | PCS | | PCS |
| | | | |

1:20



NET OPTIONS

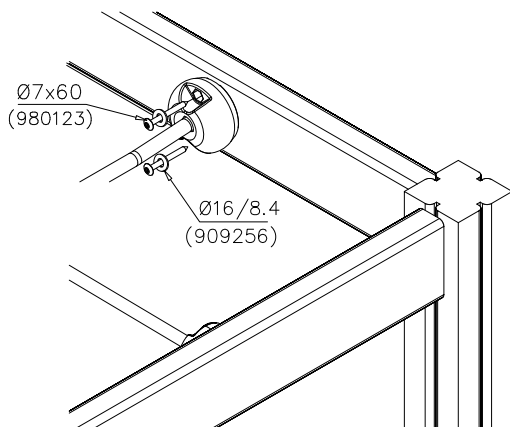
706485

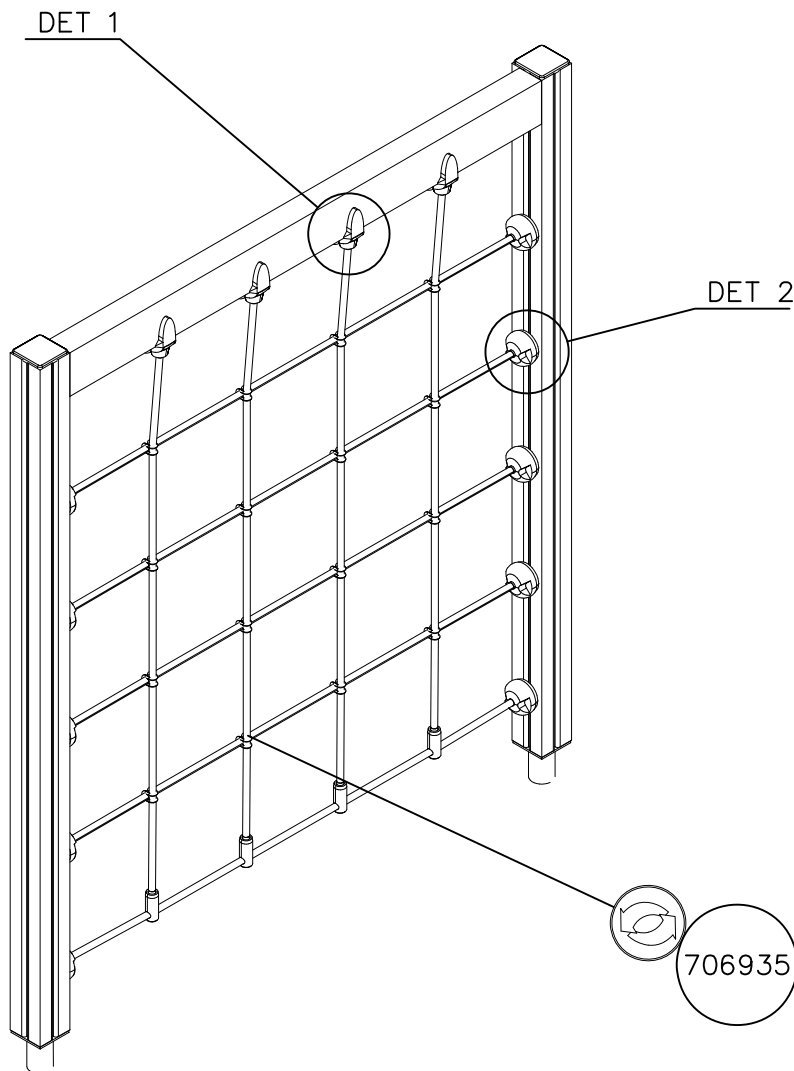


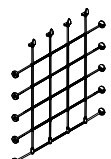



1555x1555

- | | |
|------------|--------|
| 706485-301 | BLUE |
| 706485-302 | RED |
| 706485-303 | BEIGE |
| 706485-304 | GREY |
| 706485-305 | BLACK |
| 706485-306 | YELLOW |

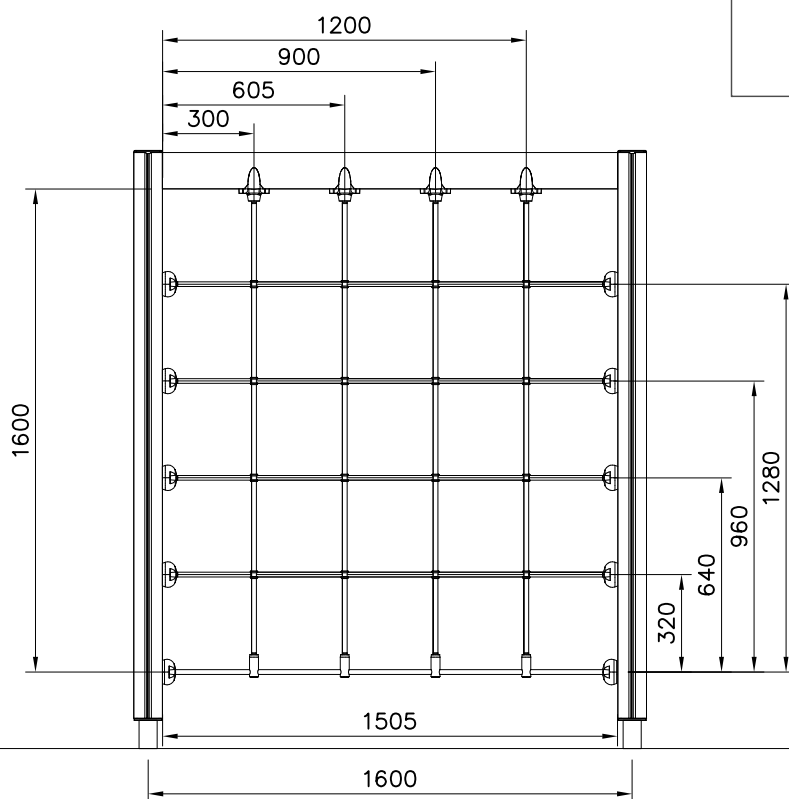
DET 1





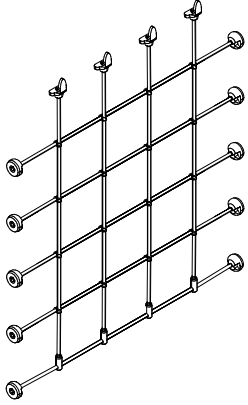
| | | | |
|---|-----|---|-----|
| ① 706935 | PCS | ② 900240 | PCS |
|  | 1 |  | 20 |
| 1600x1505 | | Ø8x70 | |
| ③ 980128 | PCS | ④ 980123 | PCS |
|  | 4 |  | 8 |
| Ø7x40 | | Ø7x60 | |
| | PCS | | PCS |
| | | | |
| | PCS | | PCS |
| | | | |
| | PCS | | PCS |
| | | | |

1:25



NET OPTIONS

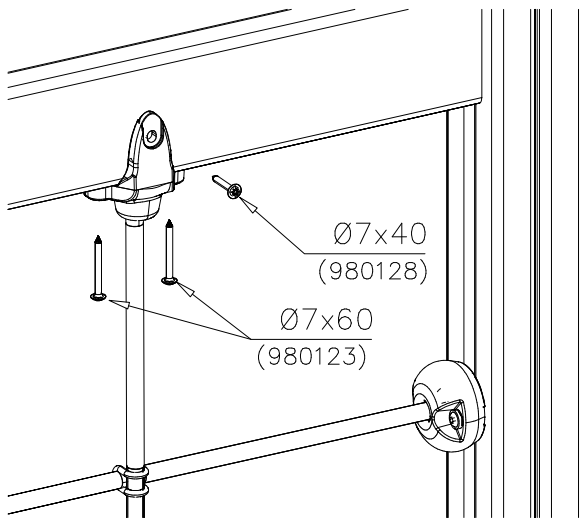
706935



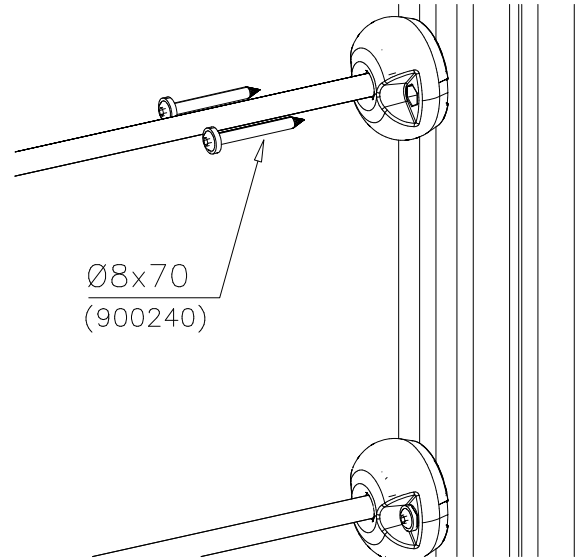
1600x1505

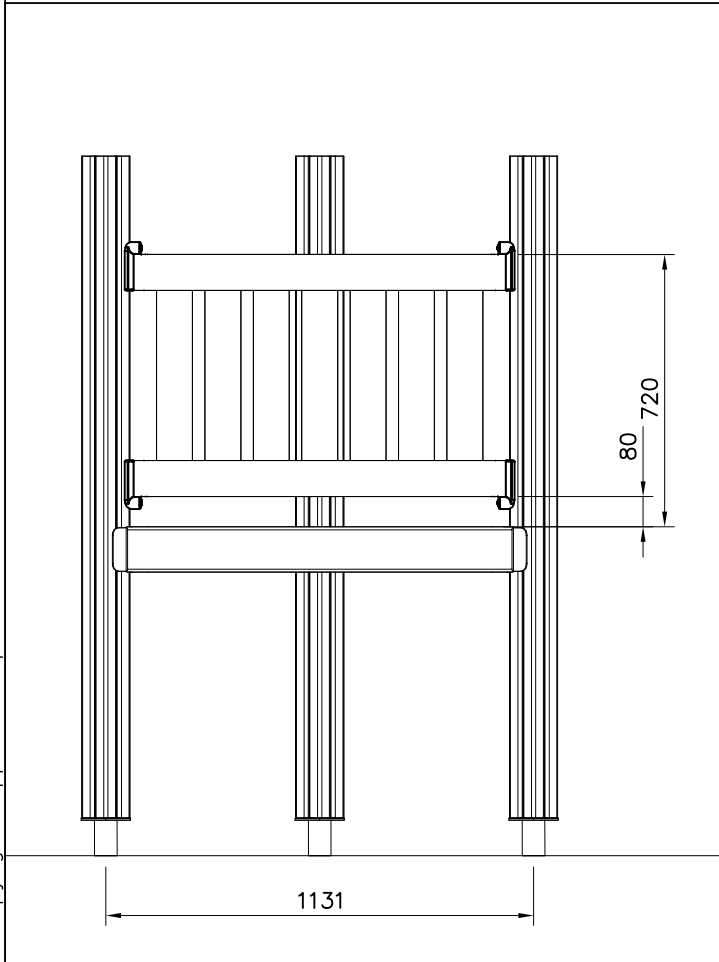
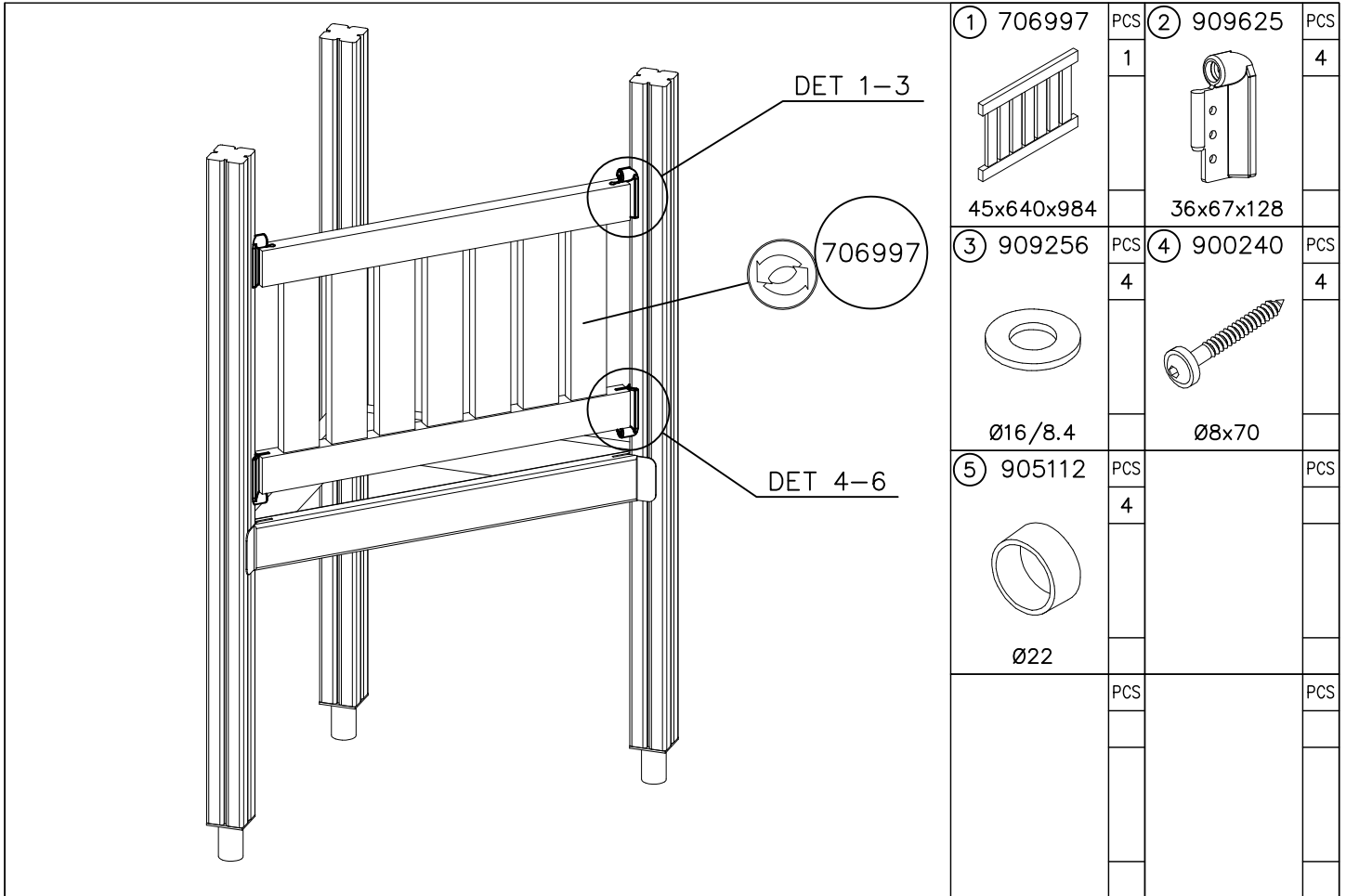
- | | |
|------------|--------|
| 706935-301 | BLUE |
| 706935-302 | RED |
| 706935-303 | BEIGE |
| 706935-304 | GREY |
| 706935-305 | BLACK |
| 706935-306 | YELLOW |

DET 1



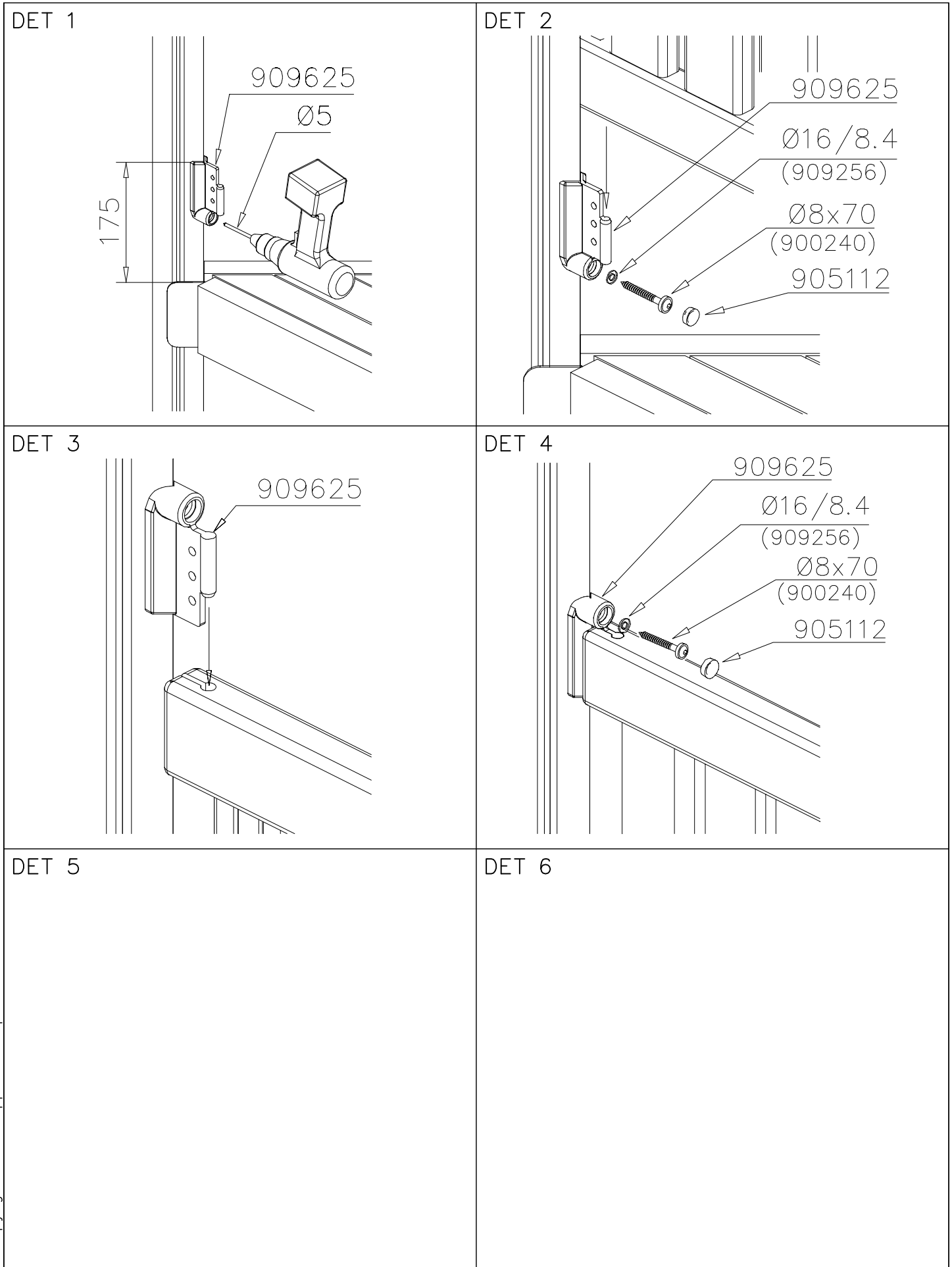
DET 2

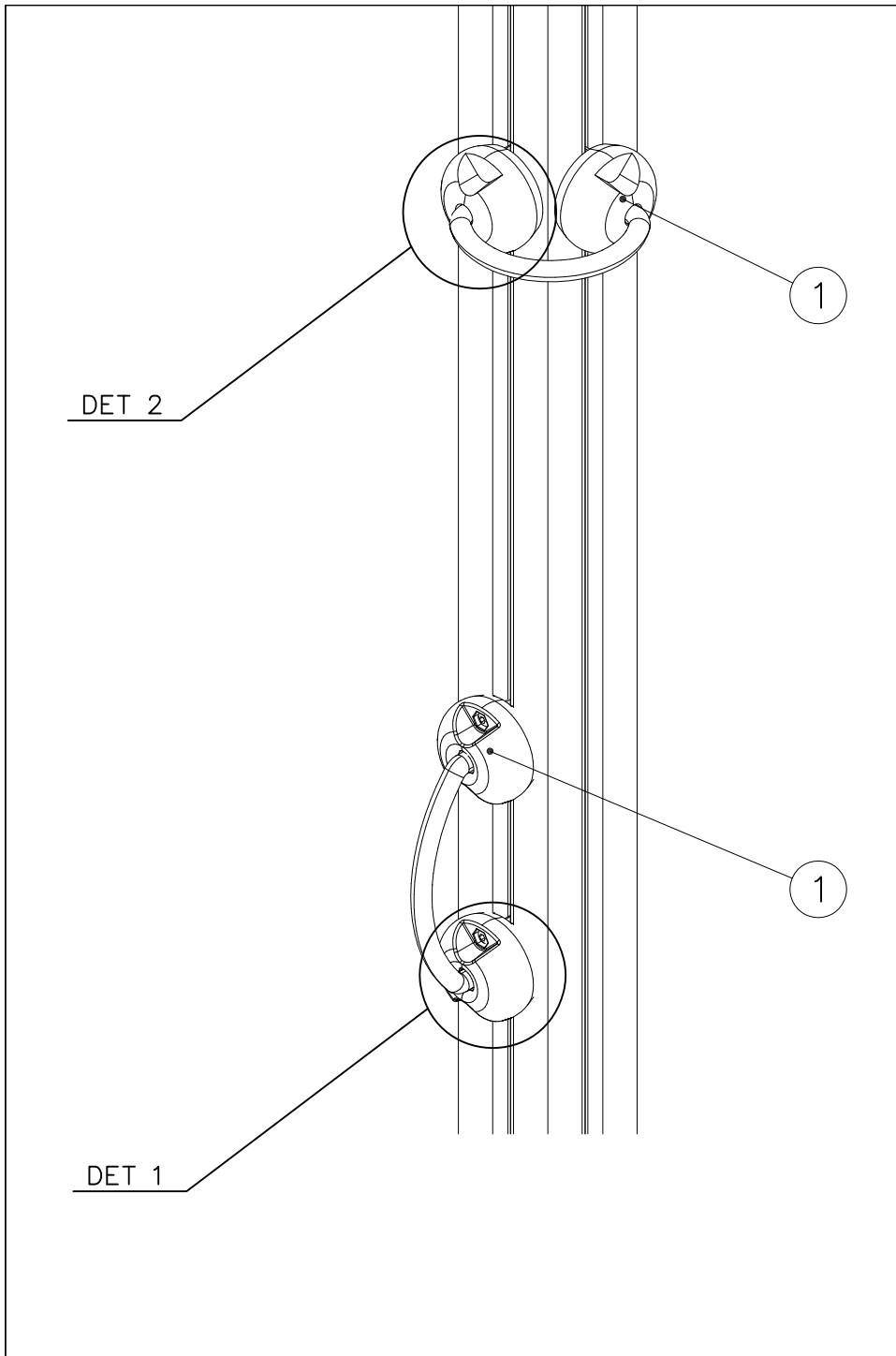



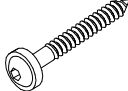


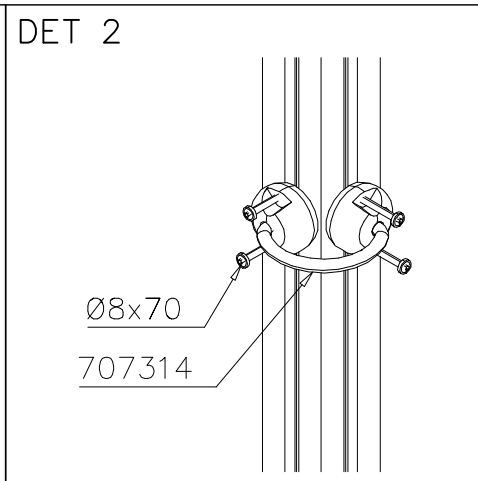
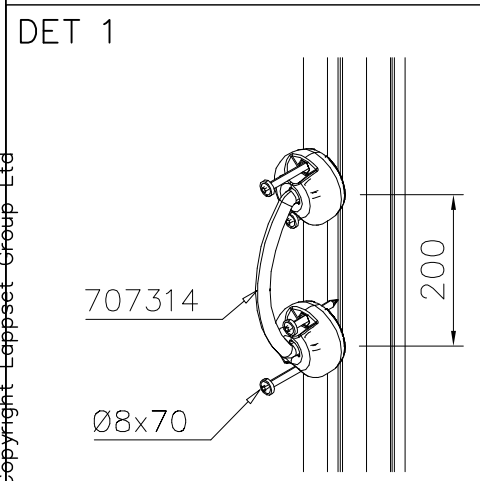
WOODEN WALL OPTIONS

| | | |
|--------------------------|------------|-----------|
| 706997 45x640x984 | 706997-605 | DARK GRAY |
| | 706997-606 | GRAY |
| | 706997-607 | RED |
| | 706997-608 | BLUE |
| | 706997-609 | GREEN |
| | 706997-610 | YELLOW |
| | 706997-611 | LIME |
| | 706997-612 | FUXIA |





| | | | |
|---|-----|---|-----|
| ① 707314 | PCS | ② 900240 | PCS |
|  | 1 |  | 4 |
| BLACK | | Ø8x70 | |
| | PCS | | PCS |
| | | | |
| | PCS | | PCS |
| | | | |
| | PCS | | PCS |
| | | | |
| | PCS | | PCS |
| | | | |



| | | | |
|-------------|-----|----------|-----|
| ① 903176 | PCS | ② 909850 | PCS |
| | 4 | | 4 |
| | | M8x25 | |
| ③ 909256 | PCS | ④ 909633 | PCS |
| | 8 | | 4 |
| Ø16/8.4x1.6 | | M8 | |
| ⑤ 980123 | PCS | | PCS |
| | 4 | | |
| Ø7x60 | | | |

***Note:**
No gaps between:
8–25mm
89–230mm

| COLOR OPTIONS | |
|---------------|------------|
| -701 | BLUE |
| -702 | YELLOW |
| -703 | LIME |
| -704 | DARK GRAY |
| -705 | LIGHT GRAY |
| -706 | RED |
| -707 | GREEN |
| -708 | FUXIA |

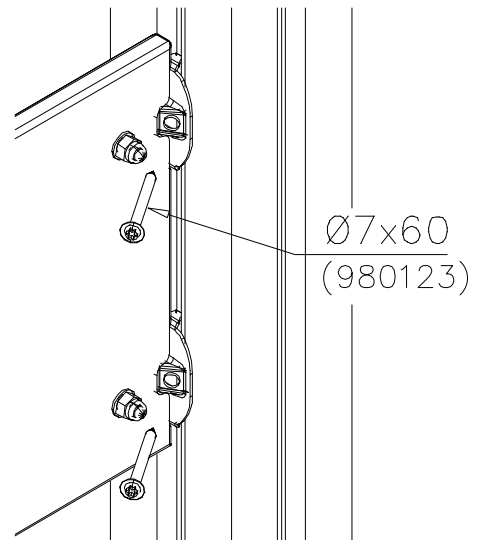
GAME WALL OPTIONS

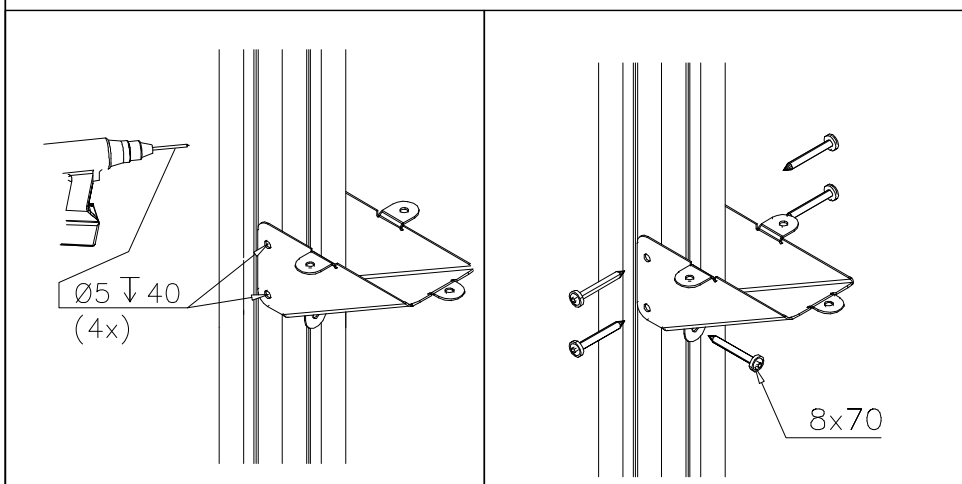
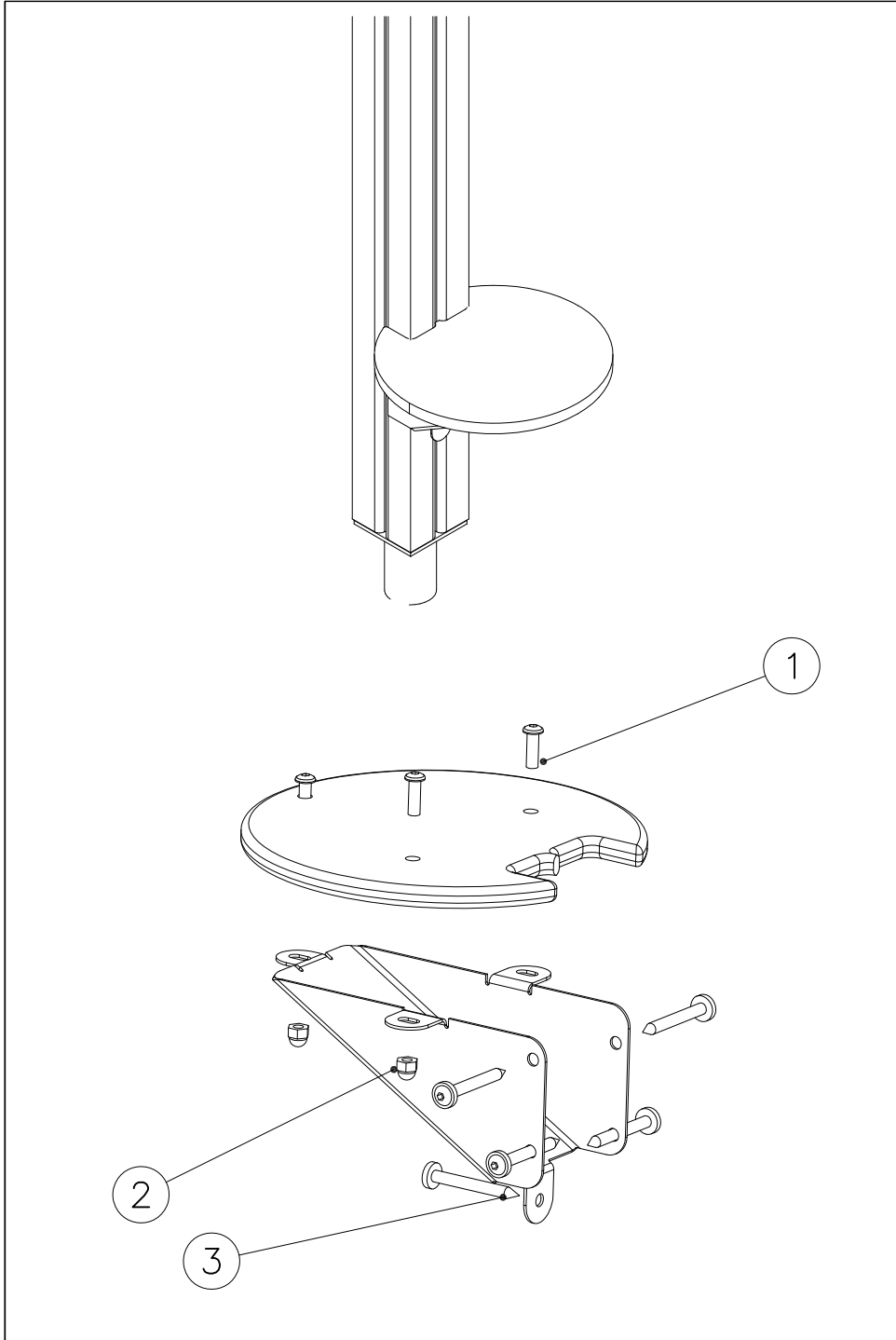
| | | | |
|---|---|--|--|
| 706766 | 706772 | 706308 | 707453 |
|  |  |  |  |
| 640x702 | 640x702 | 640x702 | 640x702 |
| 707209 | 705705 | 707433 | 707386 |
|  |  |  |  |
| 640x702 | 640x702 | 640x702 | 640x702 |
| 709403 | 709358 | 709405 | |
|  |  |  | |
| 640x702 | 640x702 | 420x702 | |

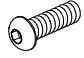


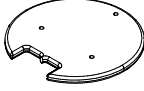
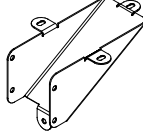
DET 1

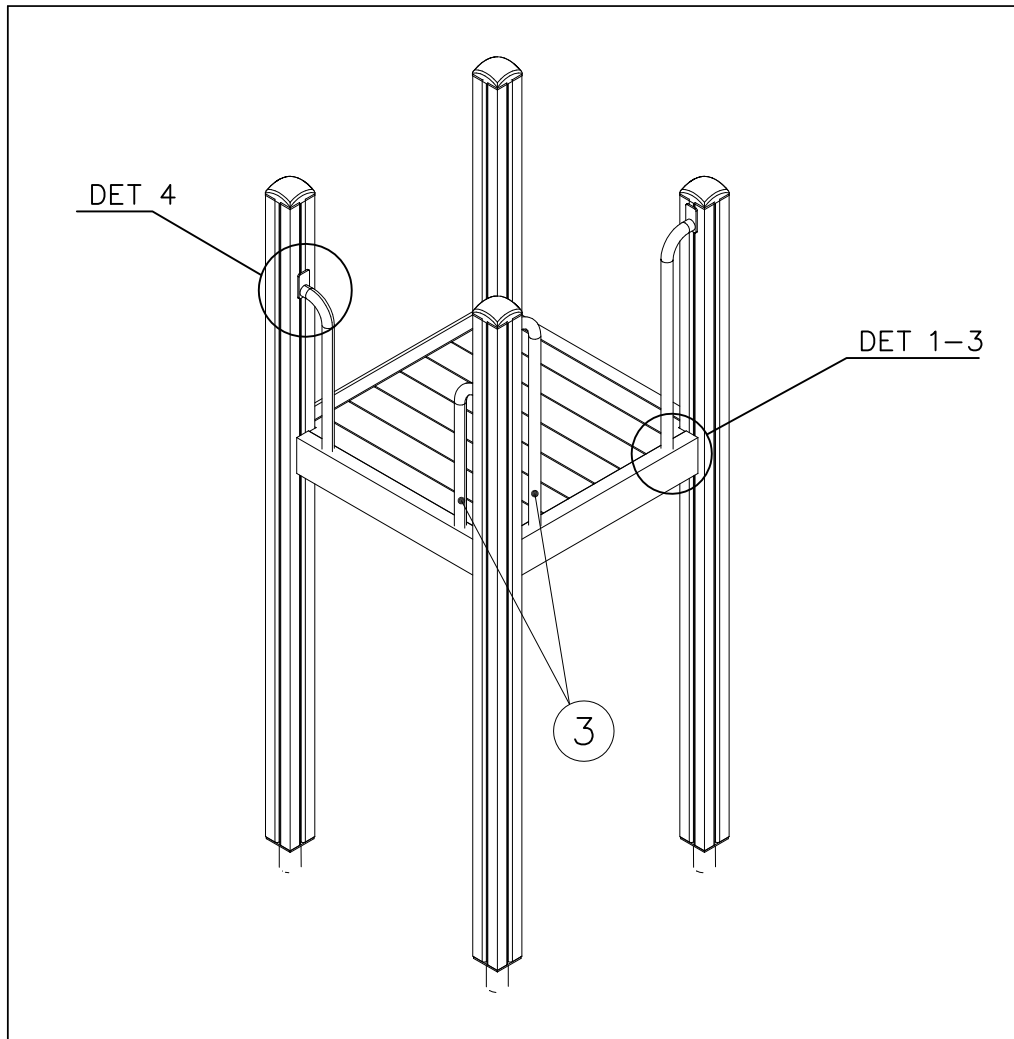


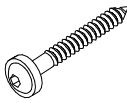



DET 2

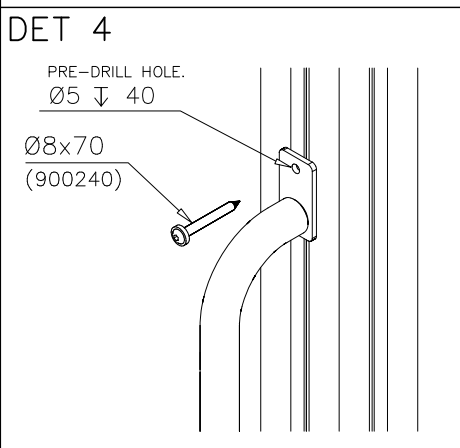
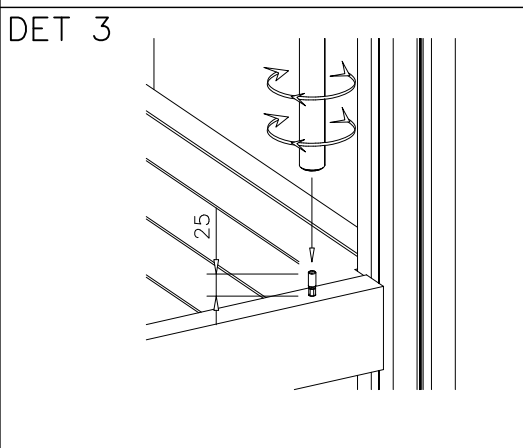
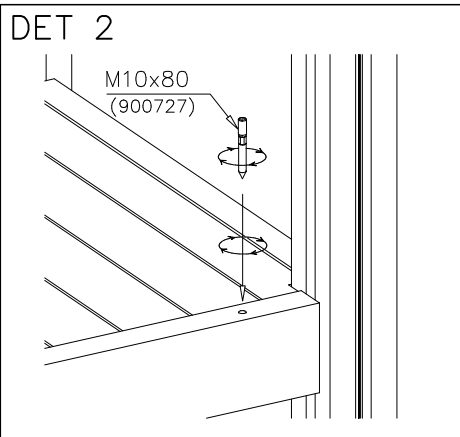
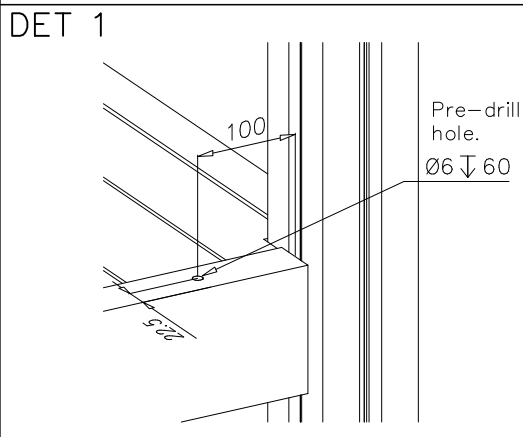




| | | | | | |
|---|---|-----|---|---|-----|
| ① | 909850 | PCS | ② | 909633 | PCS |
| |  | 3 | |  | 3 |
| | M8x25 | | | M8 | |
| ③ | 900240 | PCS | | | PCS |
| |  | 5 | | | |
| | Ø8x70 | | | | |
| | | PCS | | | PCS |
| | | | | | |
| ○ | 707696 | PCS | ○ | 902086 | PCS |
| |  | 1 | |  | 1 |
| | 15x265x275 | | | 148x172x254 | |
| | | PCS | | | PCS |
| | | | | | |
| | | PCS | | | PCS |
| | | | | | |
| | | PCS | | | PCS |
| | | | | | |
| | | PCS | | | PCS |
| | | | | | |



| | | | |
|---|-----|---|-----|
| ① 900240 | PCS | ② 900727 | PCS |
|  | 1 |  | 1 |
| Ø8x70 | | M10x80 | |
| | PCS | | PCS |
| | | | |
| | | | |
| ③ 907688 | PCS | ③ 907701 | PCS |
|  | 1 |  | 1 |
| 765 | | 545 | |
| | PCS | | PCS |
| | | | |
| | | | |
| | PCS | | PCS |
| | | | |
| | | | |
| | | | |
| | PCS | | PCS |
| | | | |
| | | | |
| | | | |
| | PCS | | PCS |
| | | | |
| | | | |



**Tuotekyltti tulee tuotteen mukana yhdellä seuraavista tavoista:****1) Metallinen tuotekyltti ja kiinnitysruuvit**

- Kiinnitä tuotekyltti ruuveilla tolppaan noin 2 metrin korkeuteen kuvan 1 mukaisesti.

2) Tuotekylttitarra

- Puhdista maalattu metalli- tai vaneripinta pölystä ja kosteudesta. Liimaa tarra kuvan 2 mukaisesti.
- Huom. Älä kiinnitä tarraa karheapintaiseen laminaattiin tai maalattuun puuhun.

Vår produktmärkning levereras på ett av följande sätt:**1) Produktskylt i metall**

- Fäst skylten med de medföljande skruvarna

2) Självhäftande produktetikett

- Rengör den pulverlackerade metallytan eller laminatyten så att den blir fri från smuts och fukt. Fäst etiketten enligt fig. 2.
- Obs! Fäst ej etiketten på detaljer med skrovlig yta eller på målat trä.

Product label is delivered by one of following ways:**1) Metal product label and screws**

- Fasten the label with screws.

2) Label sticker

- Clean the painted metal or plywood surface from dirt and moisture. Fasten the sticker as shown in the figure 2.
- Note. Do not attach the sticker to rough surfaced laminate or painted wood.

La plaque d'informations produit est livrée sous l'une de ces 3 formes :**1) Plaque métallique et vis**

- Fixez la plaque à l'aide des vis.

2) Etiquette autocollante

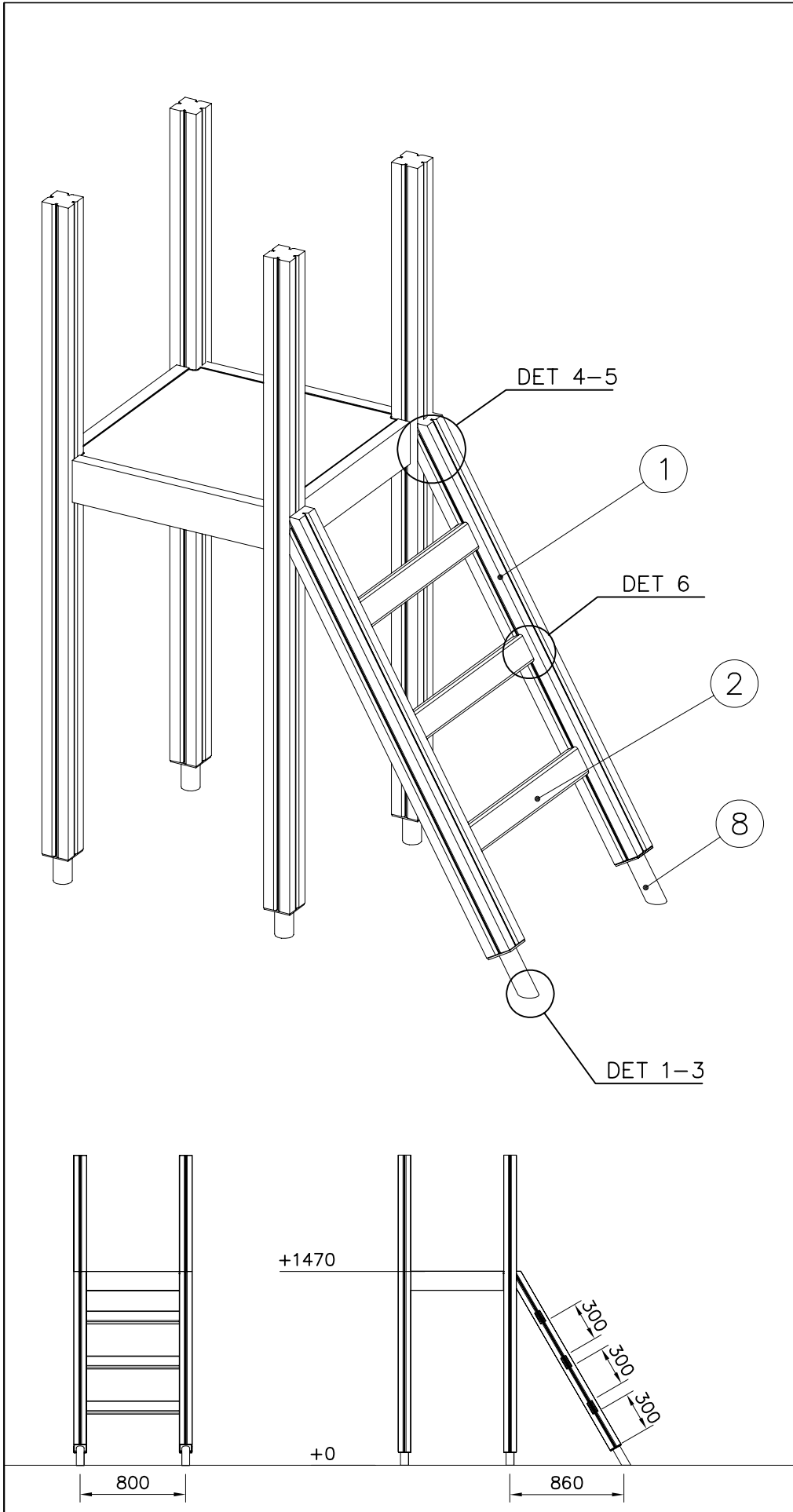
- Avant de coller l'étiquette, nettoyez le composant métallique peint ou la plaque de contreplaqué, de toute saleté. La surface doit être sèche (voir image 2).
- Attention, ne pas coller l'étiquette sur une surface lamellé-collée irrégulière ou sur du bois peint.

Die Auslieferung des Produktaufklebers erfolgt auf eine dieser Arten:**1) Produkt-Schild aus Metall incl. Schrauben**

- Die Befestigung des Schildes erfolgt mittels der Schrauben.

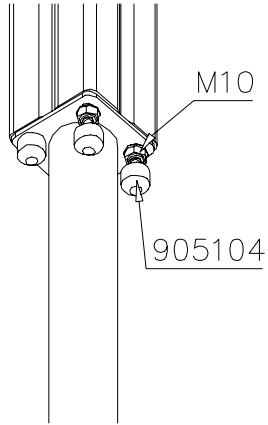
2) Aufkleber

- Entfernen Sie zunächst Schmutz und Feuchtigkeit vom lackierten Metall bzw. von der Holzoberfläche und bringen Sie den Aufkleber wie im Bild oben rechts beschrieben auf den gesäuberten Untergrund auf.
- Beachten Sie: Bringen Sie den Aufkleber nicht auf raues laminiertes oder lackiertes Holz an.

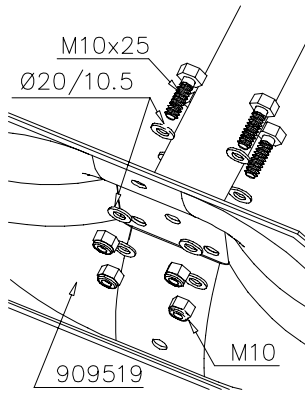


| | | | |
|------------|-----|-----------|-----|
| ① 703325 | PCS | ② 703338 | PCS |
| | 2 | | 3 |
| 95x95x1530 | | 45x95x724 | |
| ③ 905051 | PCS | ④ 905104 | PCS |
| | 16 | | 8 |
| ∅24/8.4 | | M10 | |
| ⑤ 909231 | PCS | ⑥ 909233 | PCS |
| | 2 | | 2 |
| 8x130 | | 8x100 | |
| ⑦ 909238 | PCS | ⑧ 909511 | PCS |
| | 12 | | 2 |
| 8x90 | | 90x90x650 | |
| ⑨ 909519 | PCS | ⑩ 909637 | PCS |
| | 2 | | 8 |
| 50x380x380 | | M10 | |
| ⑪ 909638 | PCS | ⑫ 909639 | PCS |
| | 16 | | 8 |
| ∅20/10,5 | | M10x25 | |
| | PCS | | PCS |
| | | | |
| | PCS | | PCS |
| | | | |

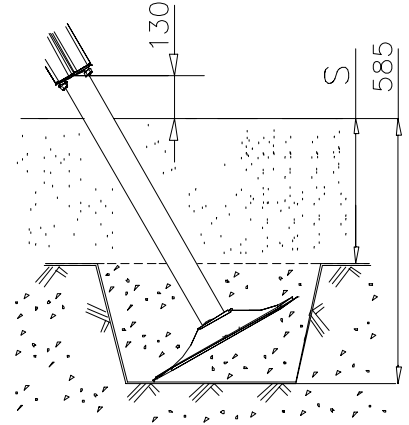
DET 1



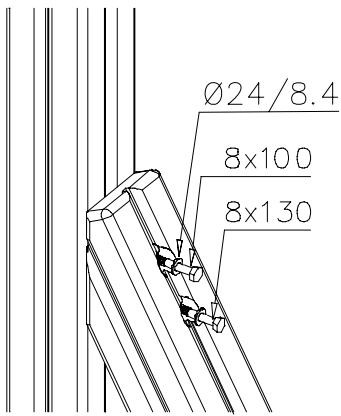
DET 2



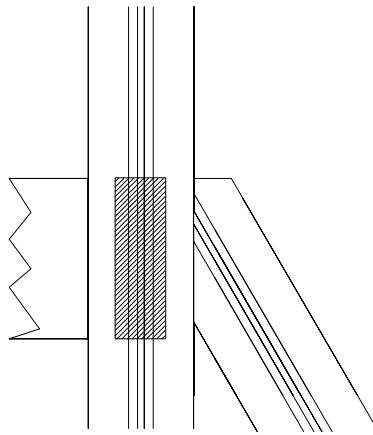
DET 3



DET 4



DET 5



DET 6

