

DET A

$\text{Ø}24/13$ (980154)
 $\text{M}12 \times 30$ (903149)
 $\text{M}12$ (909644)
 80Nm (M12)
 $\text{M}10$ (900965)
 45Nm (M10)
 $\text{M}10 \times 25$ (909639)
 $\text{Ø}20/10.5$ (909638)

- M12x30 2 pcs
- Ø24/13 4 pcs
- M12 2 pcs
- M10x25 2 pcs
- Ø20/10.5 4 pcs
- M10 2 pcs
- 905991 1 pcs

DET A1

999561
 GLUE
 $\text{Ø}24/13$ (980154)
 905115
 12x35 (909347)
 905090

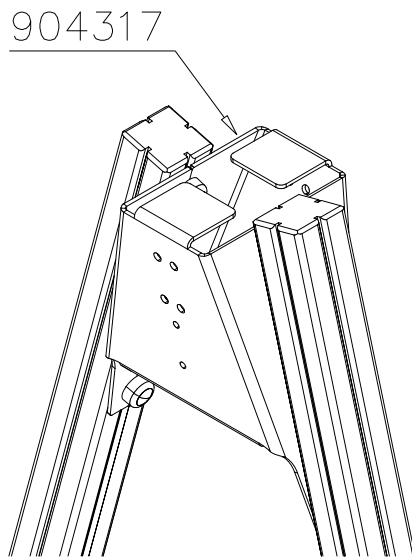
- M12x35 6 pcs
- Ø24/13 6 pcs
- Ø45 6 pcs
- Ø30 6 pcs
- GLUE

DET B

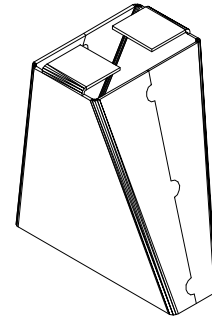
$\text{Ø}24/13$ (980154)
 $\text{M}12 \times 30$ (903149)
 $\text{M}12$ (909644)
 80Nm
 $\text{M}10$ (900965)
 45Nm
 $\text{M}10 \times 25$ (909639)
 $\text{Ø}20/10.5$ (909638)

- M12x30 2 pcs
- Ø24/13 4 pcs
- M12 2 pcs
- M10x25 2 pcs
- Ø20/10.5 4 pcs
- M10 2 pcs

DET B

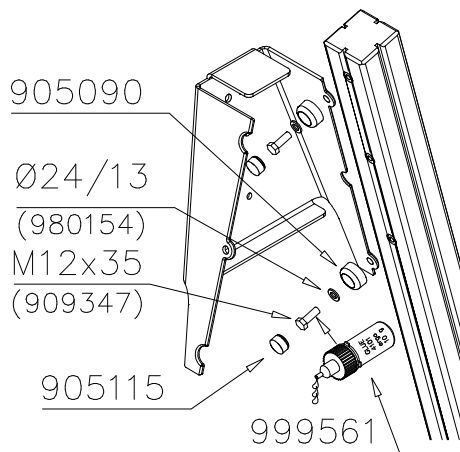


904317



904317

DET B1



905090

Ø24/13

(980154)

M12x35

(909347)

905115

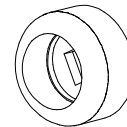
999561



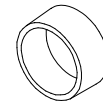
M12x35 6 pcs



Ø24/13 6 pcs



Ø45 6 pcs

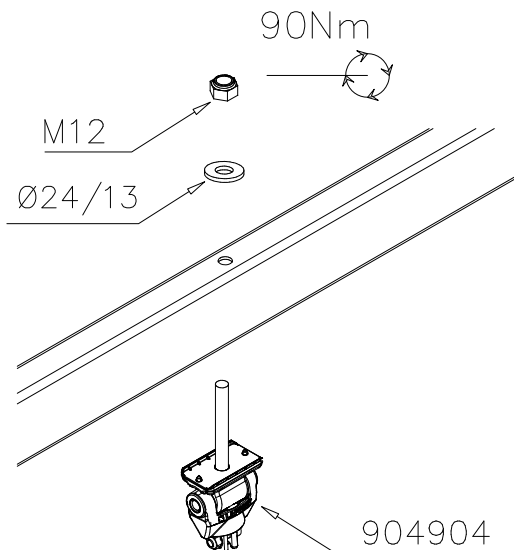


Ø30 6 pcs



GLUE

DET C

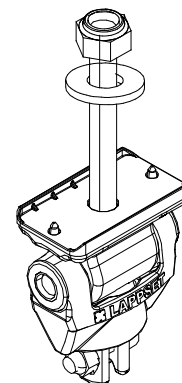


90Nm

M12

Ø24/13

904904



904904

DET D

90Nm

M12x110 (906499)

Ø24/13 (980154)

901958

M8x35

Ø24/13 (980154)

M12 (902234)

M8

CUT EXTRA CHAIN

M12x110 2 pcs

Ø24/13 4 pcs

M12 2 pcs

901958 1 pcs

DET D

903577

903577 1 pcs

DET E

6x60 980131

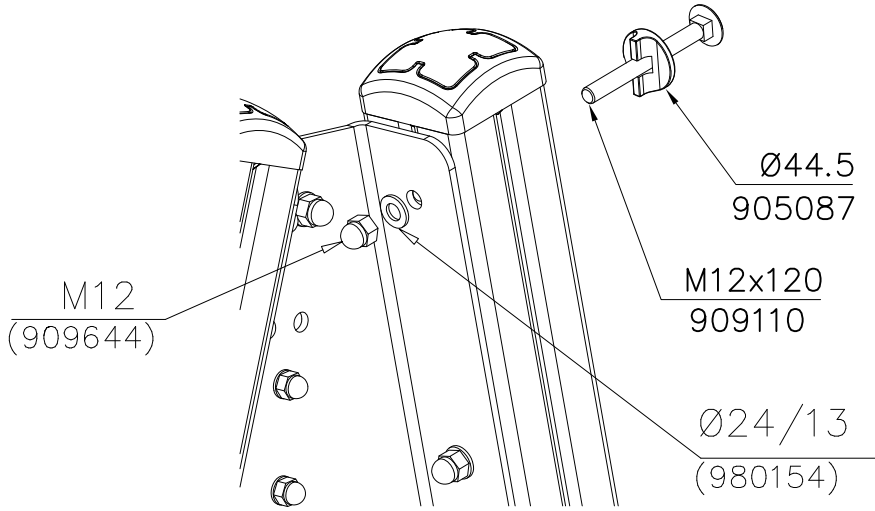
980131 4 pcs

905138 1 pcs

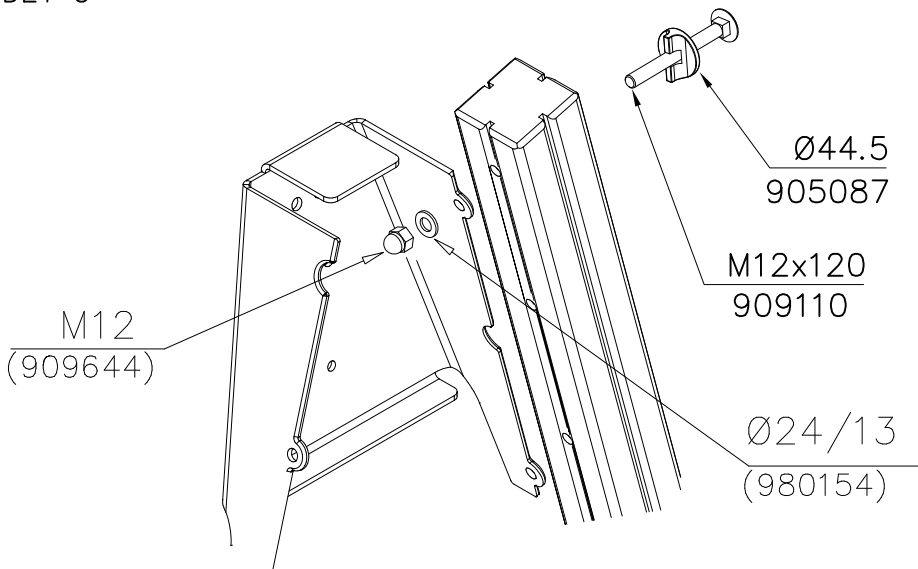
905196 1 pcs

REF: SWING
DATE: 29.6.2022

DET F



DET G





LAPPSET®
BETON FOUNDATION

FOOT

DATE: 27.10.2015

1(1)

| | | | |
|--|-----|--|-----|
| ② 905104 | PCS | | PCS |
| | 4 | | |
|  M10 | PCS | | PCS |
| | | | |



905104

LAPPSET® DEEP FOUNDATION

FOOT

DATE: 15.5.2018

1(1)



| | | | | | |
|---|-----------|-----|---|------------|-----|
| ① | 909511 | PCS | ② | 909519 | PCS |
| | | 1 | | | 1 |
| | 90x90x650 | | | 50x380x380 | |

| | | | | | |
|---|--------|-----|---|----------|-----|
| ③ | 909637 | PCS | ④ | 909638 | PCS |
| | | 4 | | | 8 |
| | M10 | | | Ø20/10.5 | |

| | | | | | |
|---|--------|-----|---|--------|-----|
| ⑤ | 909639 | PCS | ⑥ | 905104 | PCS |
| | | 4 | | | 4 |
| | M10x25 | | | M10 | |

OPTION FOOT

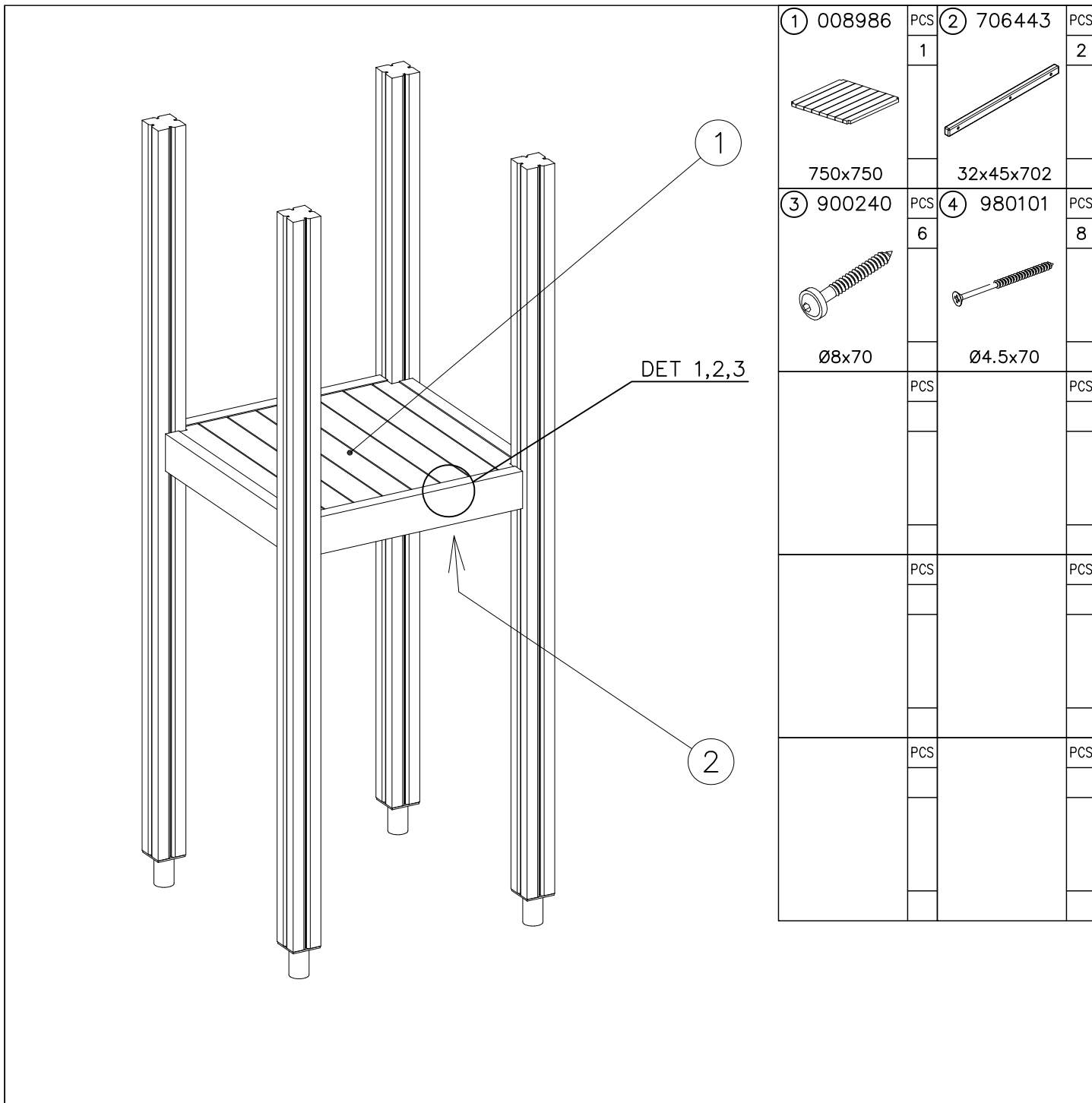
| | | | | | |
|---|-----------|-----|--|--|-----|
| ① | 911155 | PCS | | | PCS |
| | | 1 | | | |
| | 90x90x650 | | | | |



| | | | |
|-------------|-----|----------|-----|
| ① 903176 | PCS | ② 909850 | PCS |
| | 4 | | 4 |
| | | M8x25 | |
| ③ 909256 | PCS | ④ 909633 | PCS |
| | 8 | | 4 |
| Ø16/8.4x1.6 | | M8 | |
| ⑤ 980123 | PCS | | PCS |
| | 4 | | |
| Ø7x60 | | | |
| | PCS | | PCS |
| | | | |
| | | | |





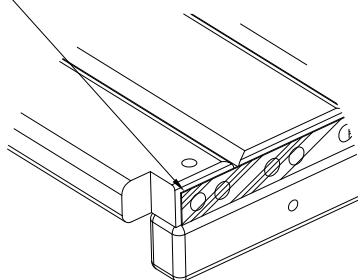


DET 1

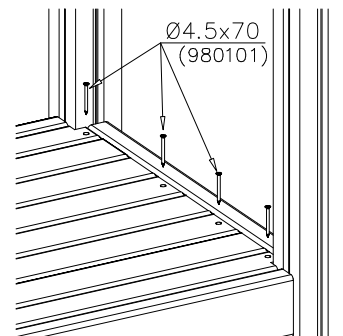


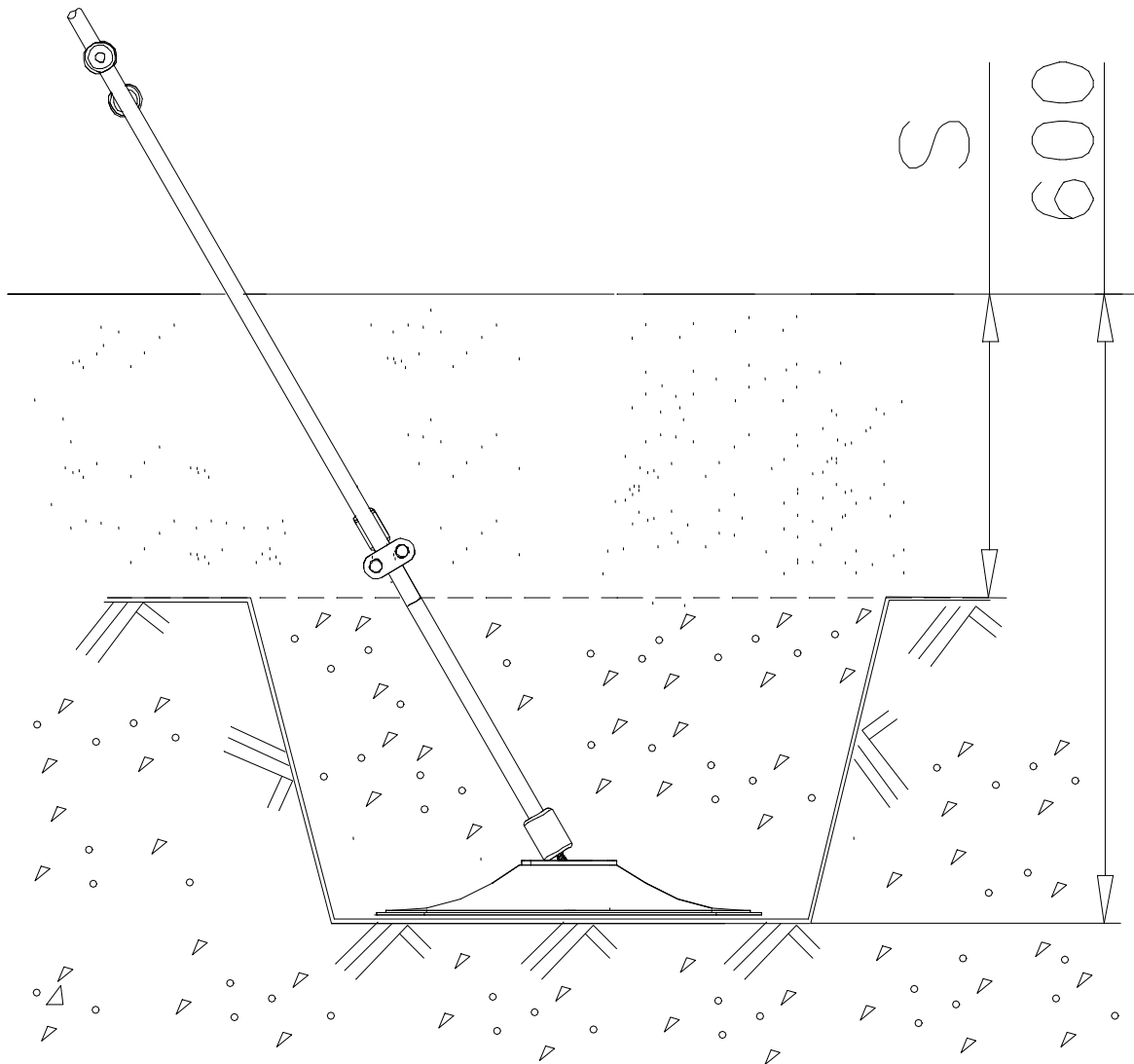
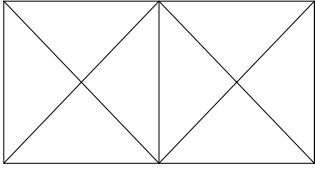
DET 2

Naulanauha kannatinlistan puolelle.
Nail list to the bottom.



DET 3



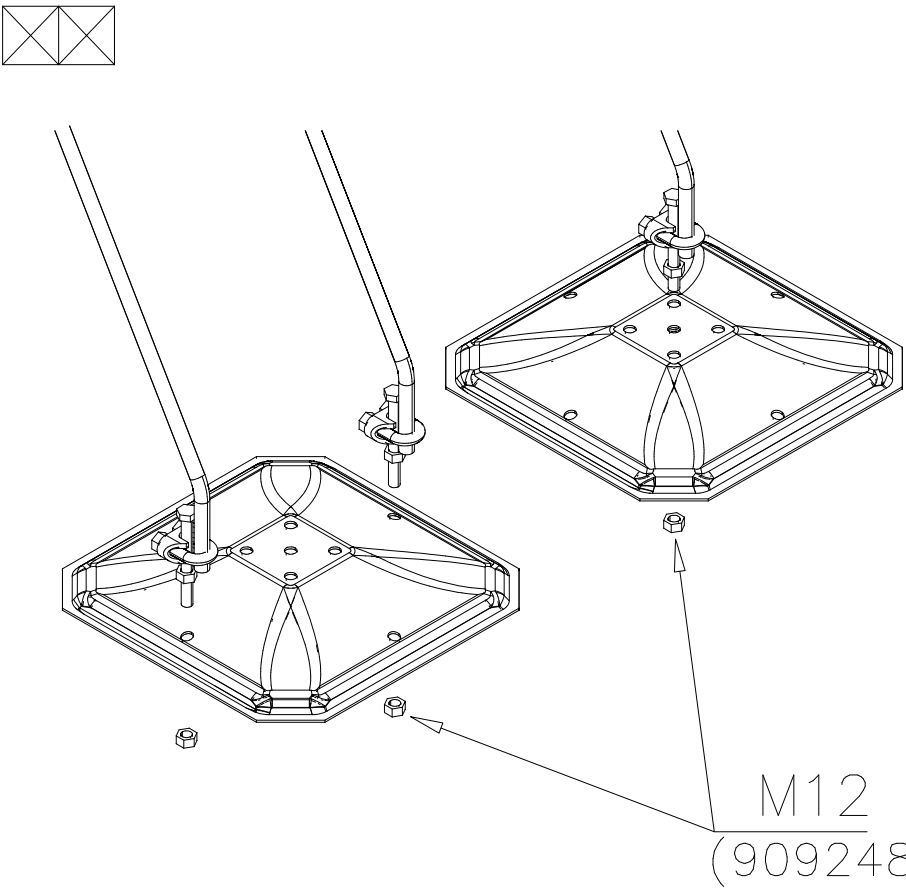


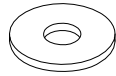
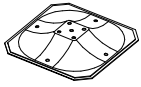
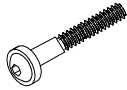


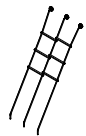
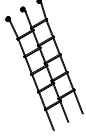
LAPPSET® DEEP FOUNDATION

ROPE LADDER

DATE: 30.6.2016

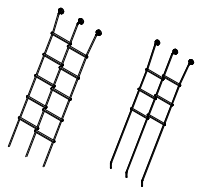
1(1)



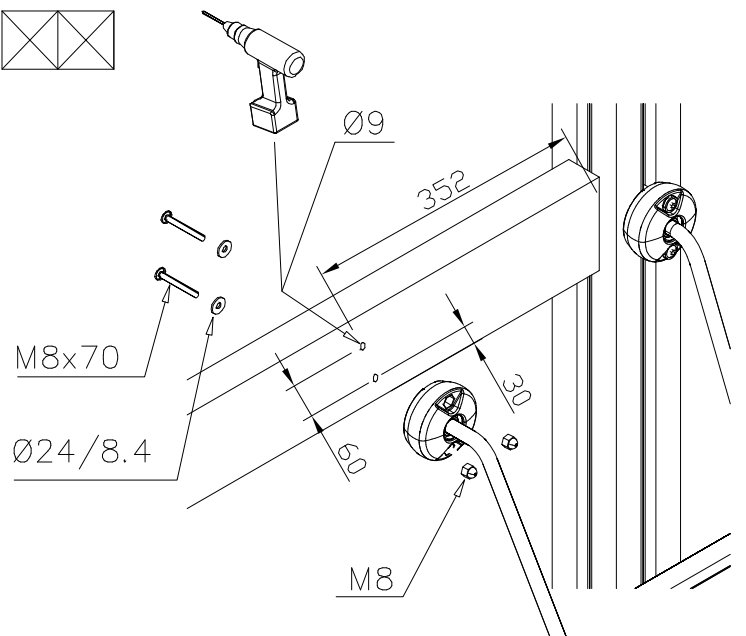
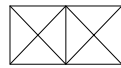
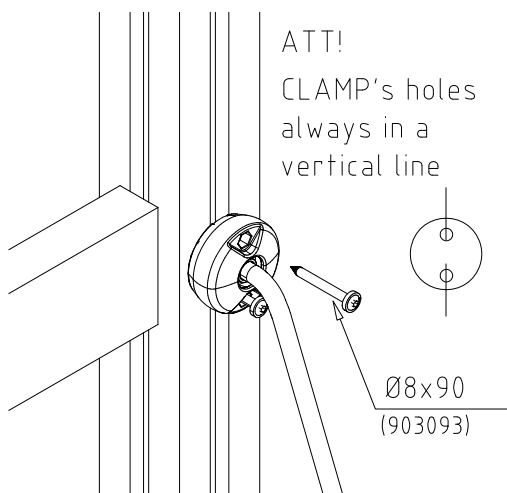
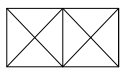
| | | | | | |
|---|---|-----|---|--------|-----|
| ① | 905051 | PCS | ② | 909519 | PCS |
| | | 2 | | | 2 |
| |  | |  | | |
| | Ø24/8.4 | | 50x380x380 | | |
| ③ | 909867 | PCS | ④ | 909633 | PCS |
| | | 2 | | | 2 |
| |  | |  | | |
| | M8x70 | | M8 | | |
| ⑤ | 903093 | PCS | | | PCS |
| | | 4 | | | |
| |  | | | | |
| | Ø8x90 | | | | |
| ○ | 706462 | PCS | ○ | 707393 | PCS |
| | | 1 | | | 1 |
| |  | |  | | |
| | +1470 | | +1970 | | |

M12
(909248)

ROPE LADDER COLOR OPTIONS

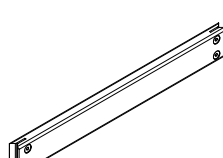


| | |
|------------|--------|
| xxxxxx-301 | BLUE |
| xxxxxx-302 | RED |
| xxxxxx-303 | BEIGE |
| xxxxxx-304 | GRAY |
| xxxxxx-305 | BLACK |
| xxxxxx-306 | YELLOW |







| BOOM OPTIONS | | |
|--|------------|-------------|
| 706510 | 706510-602 | DARK BROWN |
| | 706510-603 | LIGHT BROWN |
| | 706510-604 | LIGHT GRAY |
|  | | |
| 45x120x1030 | | |
| | | |
| | | |

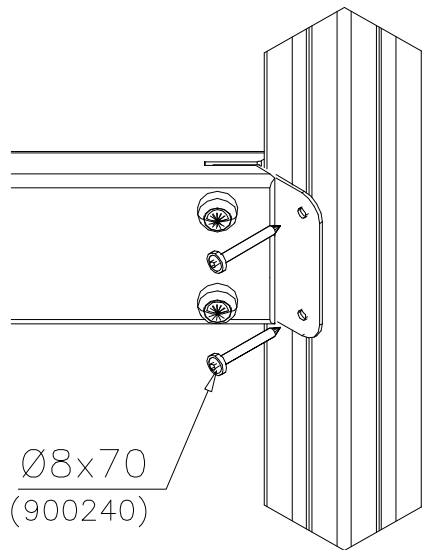
DET 1

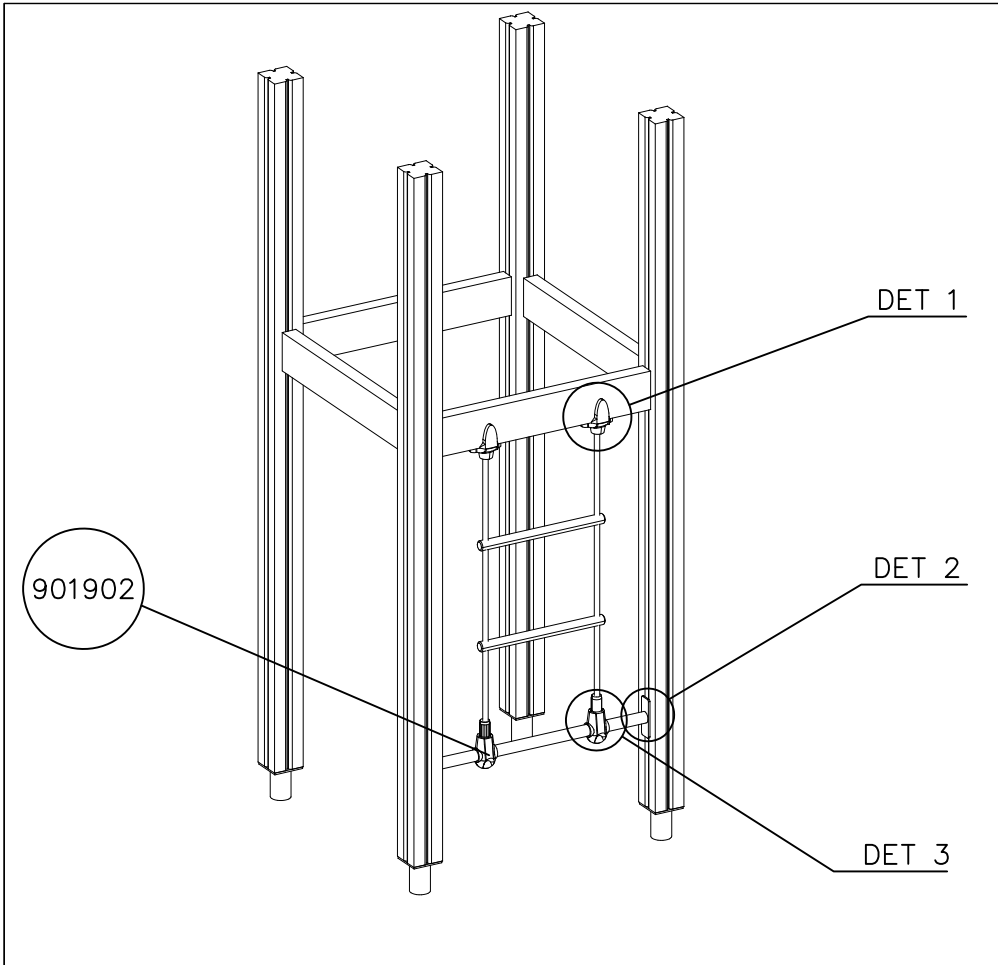




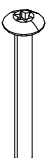
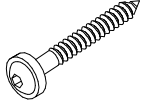
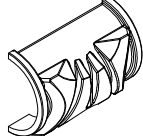
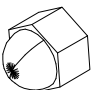
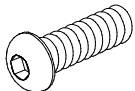
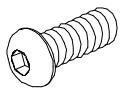
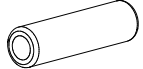
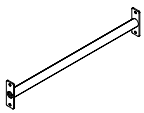
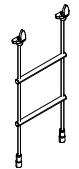
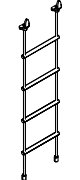
DET 2 M8x60
(909866)

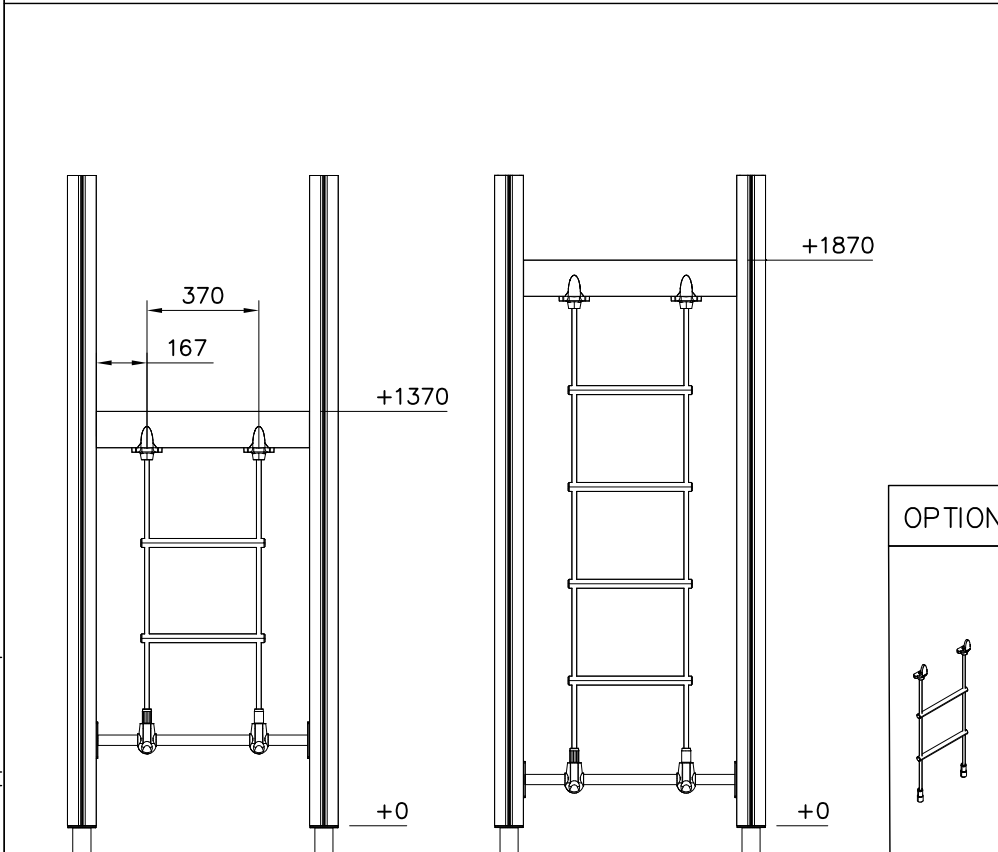


DET 3

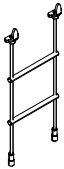
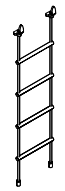




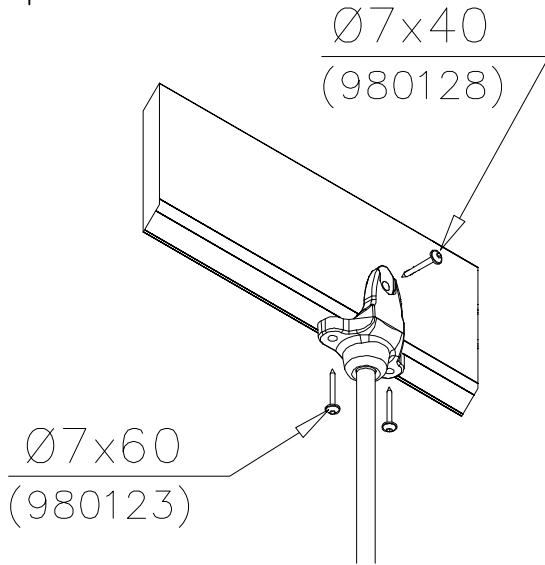
| | | | |
|---|----------|---|----------|
| ① 901902 | PCS 4 | ② 980128 | PCS 2 |
|  | |  | |
| 30x61x100 | | Ø7x40 | |
| ③ 980123 | PCS 4 | ④ 900240 | PCS 4 |
|  | |  | |
| Ø7x60 | | Ø8x70 | |
| ⑤ 901900 | PCS 4 | ⑥ 909633 | PCS 2 |
|  | |  | |
| 20.5x36.2x56 | | M8 | |
| ⑦ 909850 | PCS 2 | ⑧ 900342 | PCS 4 |
|  | |  | |
| M8x25 | | M8x16 | |
| ⑨ 901182 | PCS 2 | ○ 907694 | PCS 1 |
|  | |  | |
| Ø11/M8x40 | | L 704 | |
| ○ 706473 | PCS 1 | ○ 706780 | PCS 1 |
|  | |  | |
| +1470 | | +1970 | |



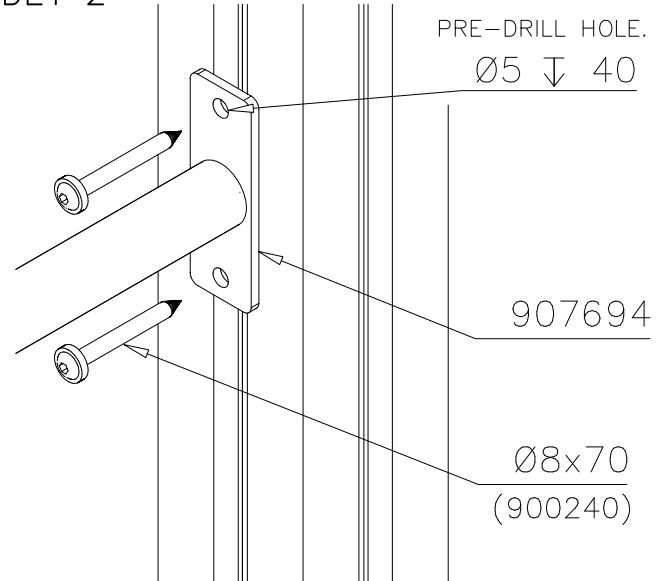
OPTIONS

| | | |
|---|------|--------|
|  | -301 | BLUE |
|  | -302 | RED |
| | -303 | BEIGE |
| | -304 | GRAY |
| | -305 | BLACK |
| | -306 | YELLOW |

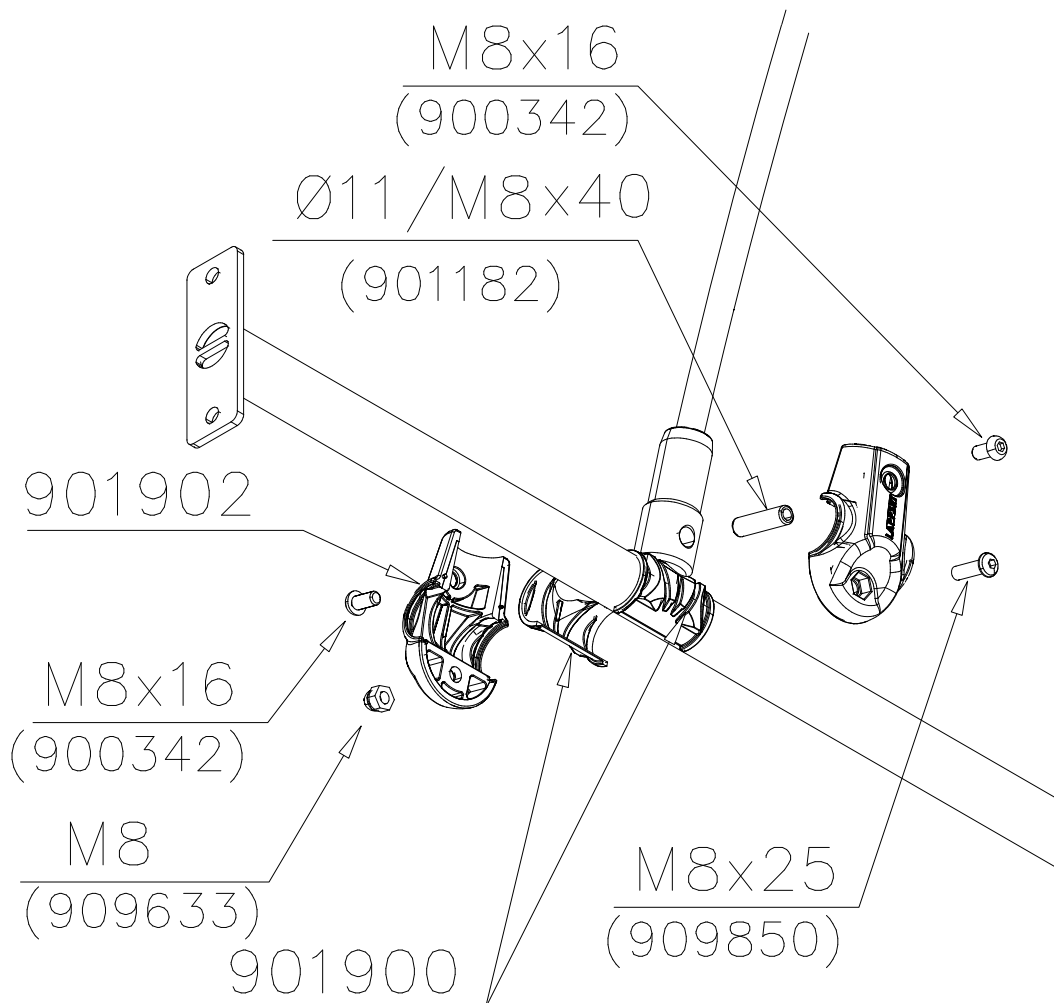
DET 1



DET 2



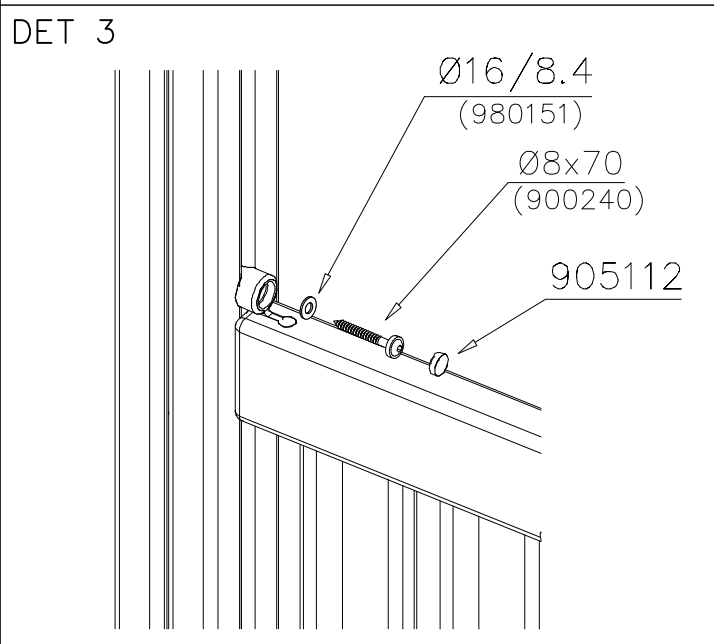
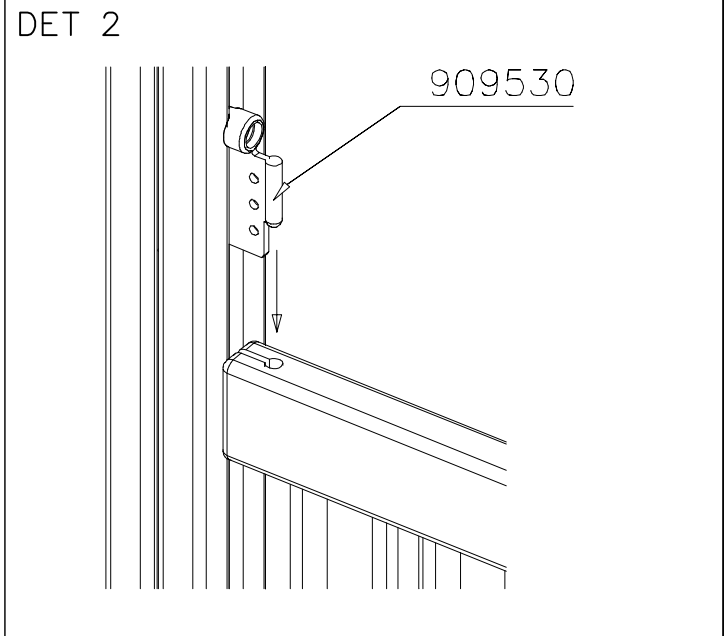
DET 3

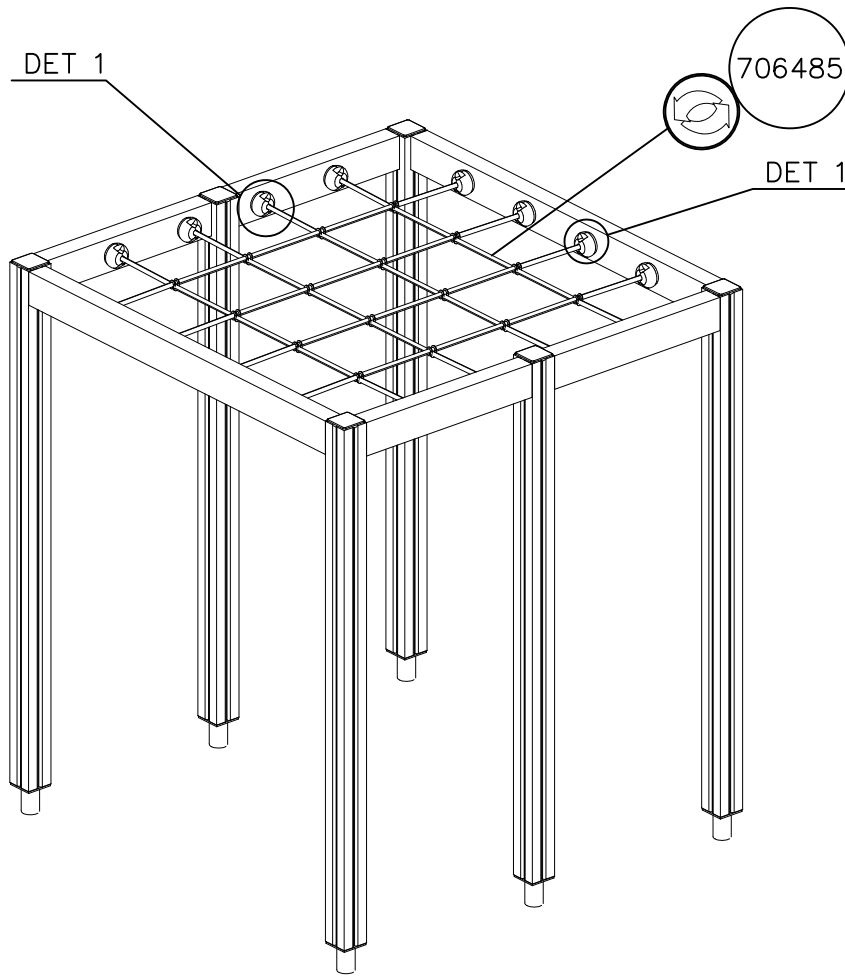


| | | | |
|------------|-----|-------------|-----|
| ① 706746 | PCS | ② 909530 | PCS |
| | 1 | | 4 |
| 45x640x701 | | 55.9x127.5 | |
| ③ 900240 | PCS | ④ 980151 | PCS |
| | 4 | | 4 |
| Ø8x70 | | Ø16/8.4x1.6 | |
| ⑤ 905112 | PCS | | PCS |
| | 4 | | |
| Ø22 | | | |
| | PCS | | PCS |



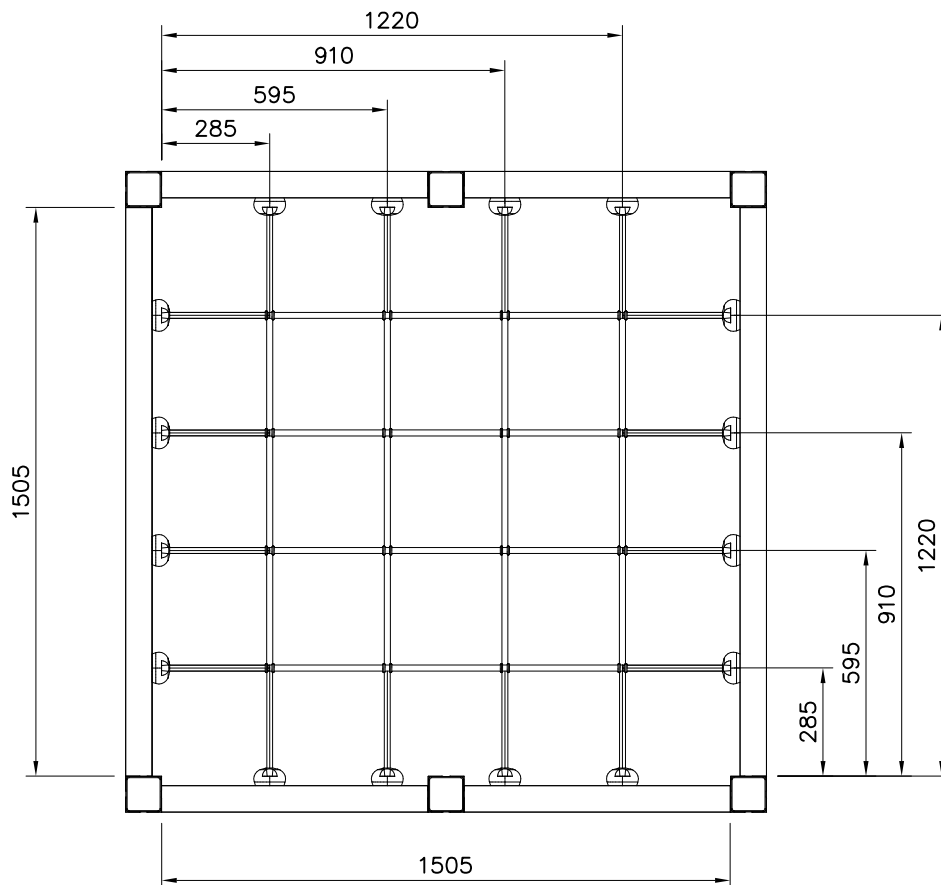
| WALL OPTIONS | | |
|--------------------------|--|--|
| 706746 45x640x701 | 706746-605 706746-606 706746-607 706746-608 706746-609 706746-610 706746-611 706746-612 | DARK GRAY GRAY RED BLUE GREEN YELLOW LIME FUXIA |





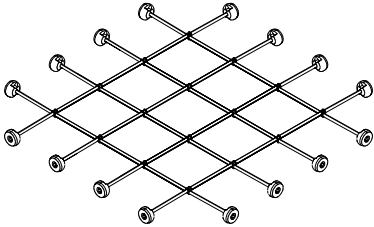
| | | | |
|-----------|-----|----------|-----|
| ① 706485 | PCS | ② 980123 | PCS |
| | 1 | | 32 |
| 1555x1555 | | Ø7x60 | |
| | PCS | ③ 909256 | PCS |
| | | | 32 |
| | | Ø16/8.4 | |
| | PCS | | PCS |
| | | | |
| | PCS | | PCS |
| | | | |

1: 20



NET OPTIONS

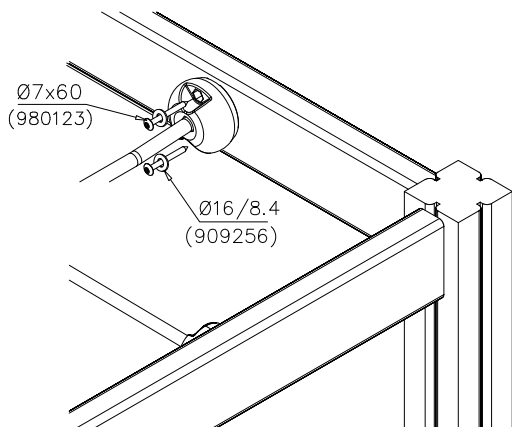
706485

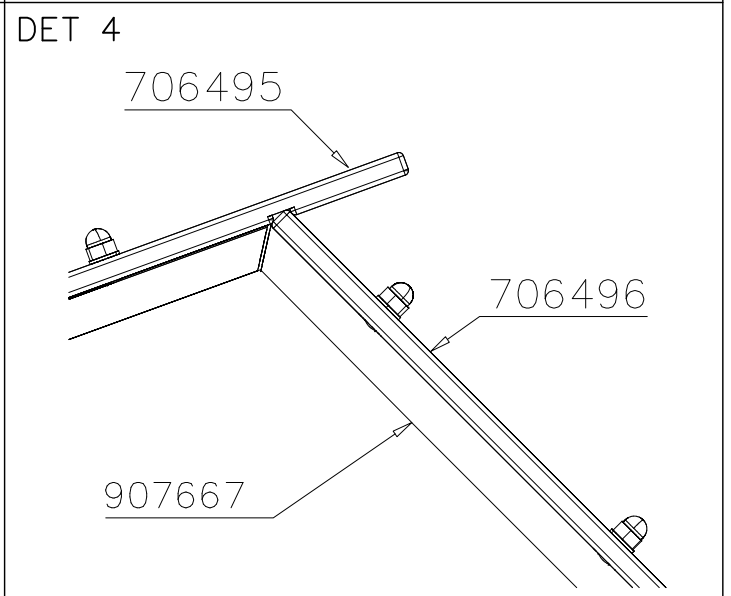
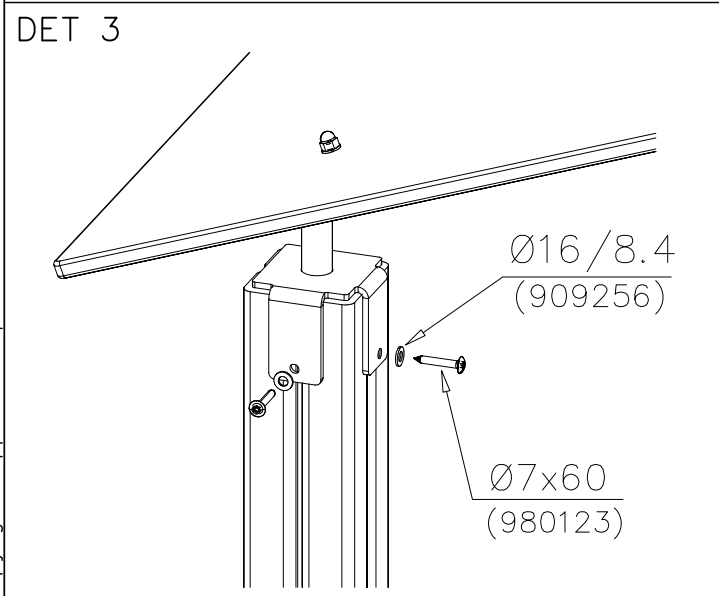
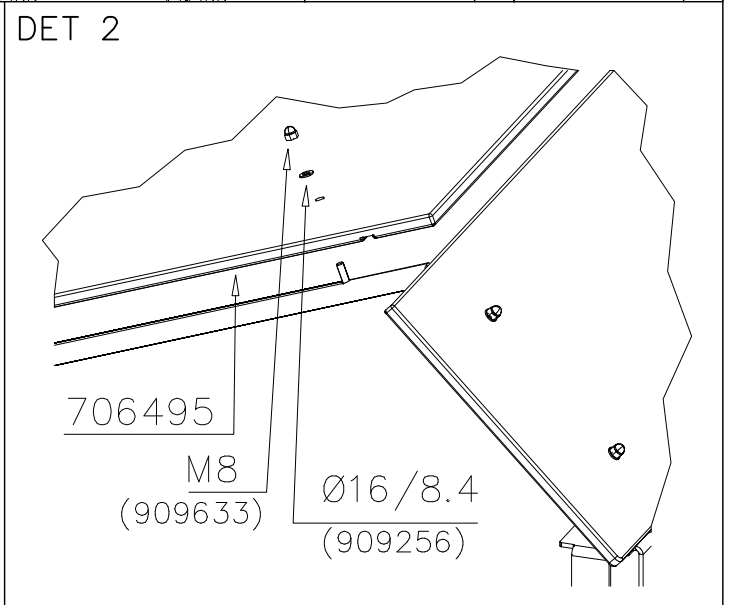
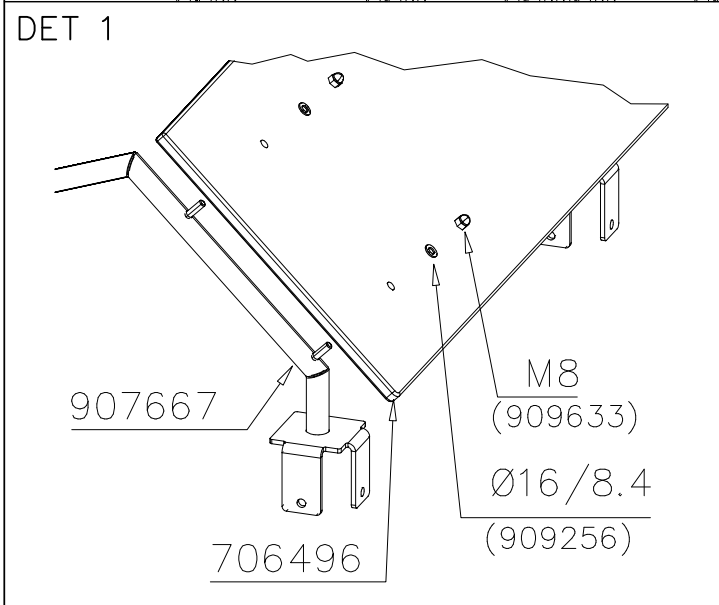
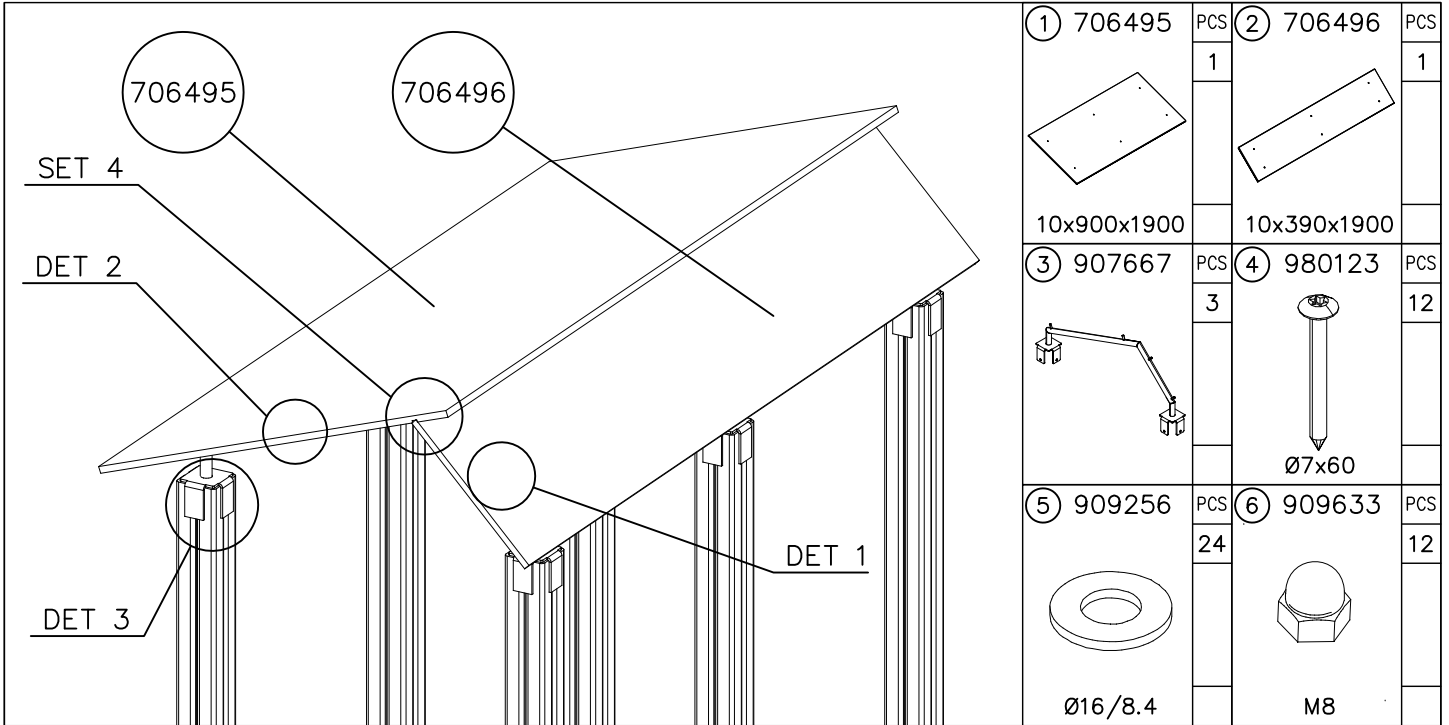


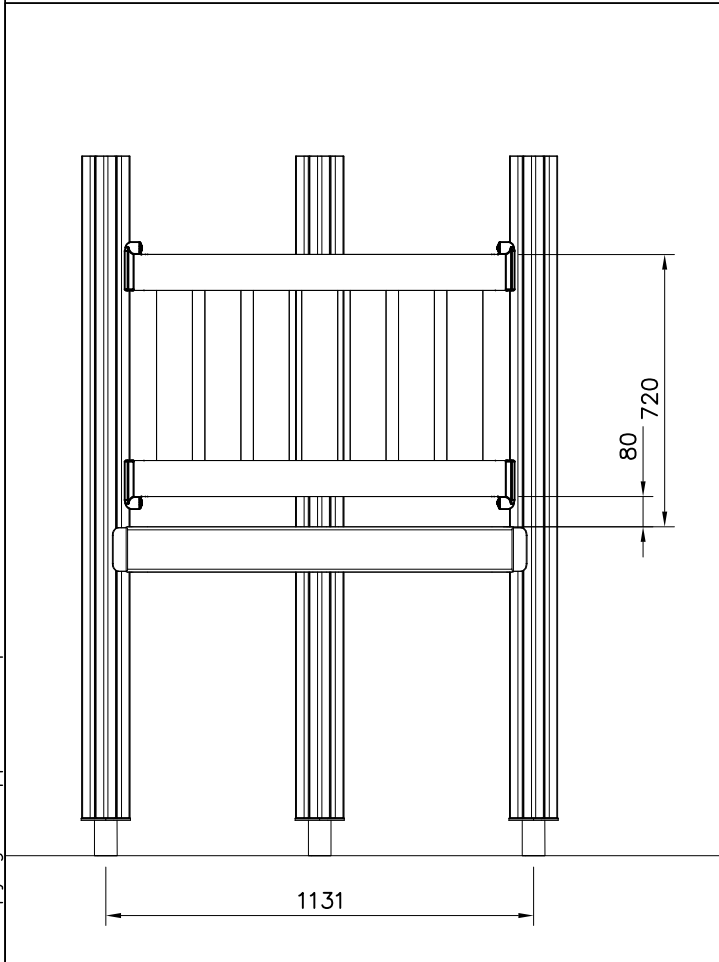
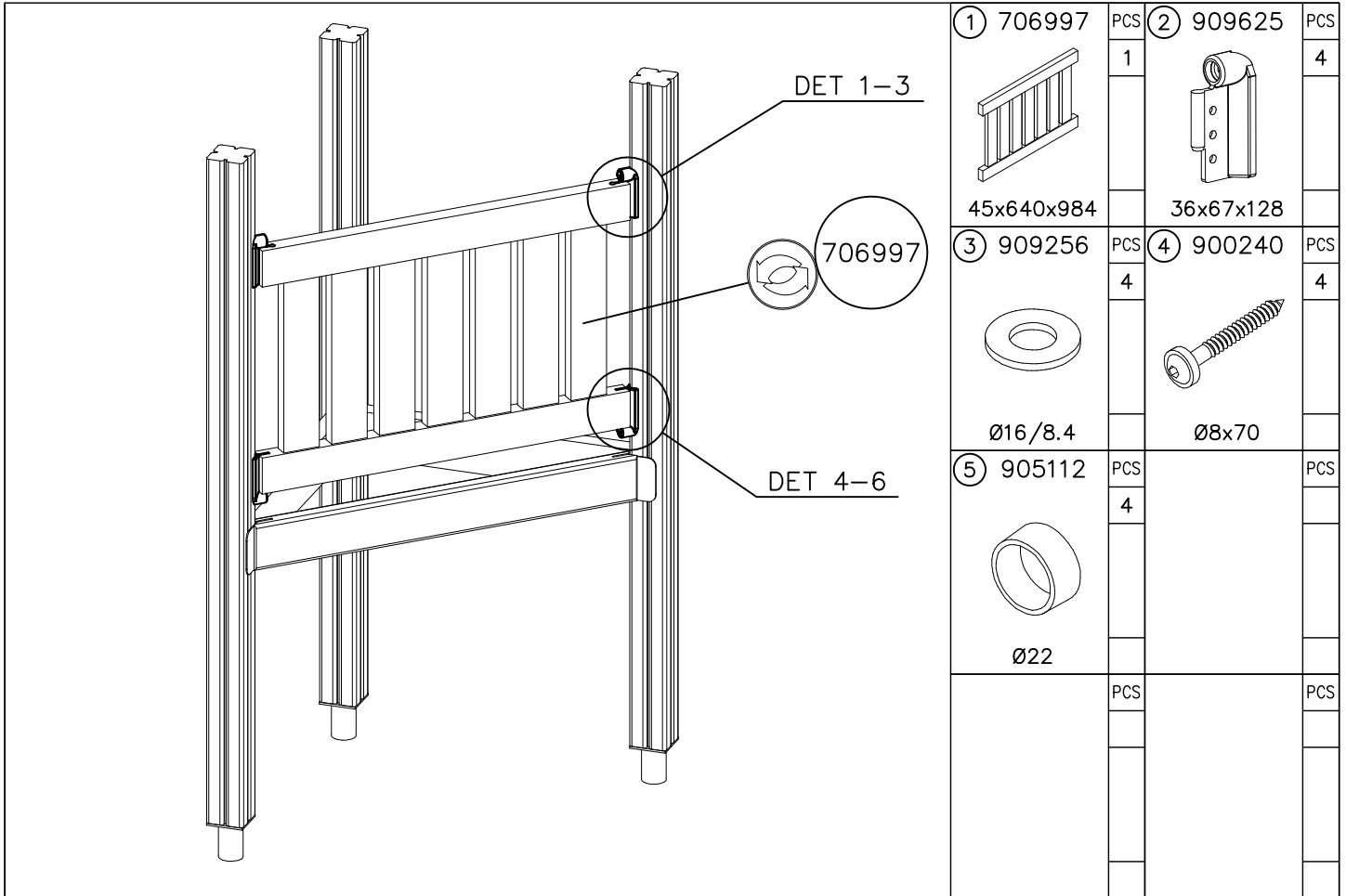
1555x1555

- | | |
|------------|--------|
| 706485-301 | BLUE |
| 706485-302 | RED |
| 706485-303 | BEIGE |
| 706485-304 | GREY |
| 706485-305 | BLACK |
| 706485-306 | YELLOW |

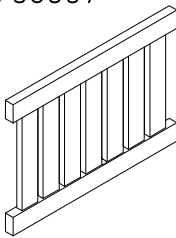
DET 1

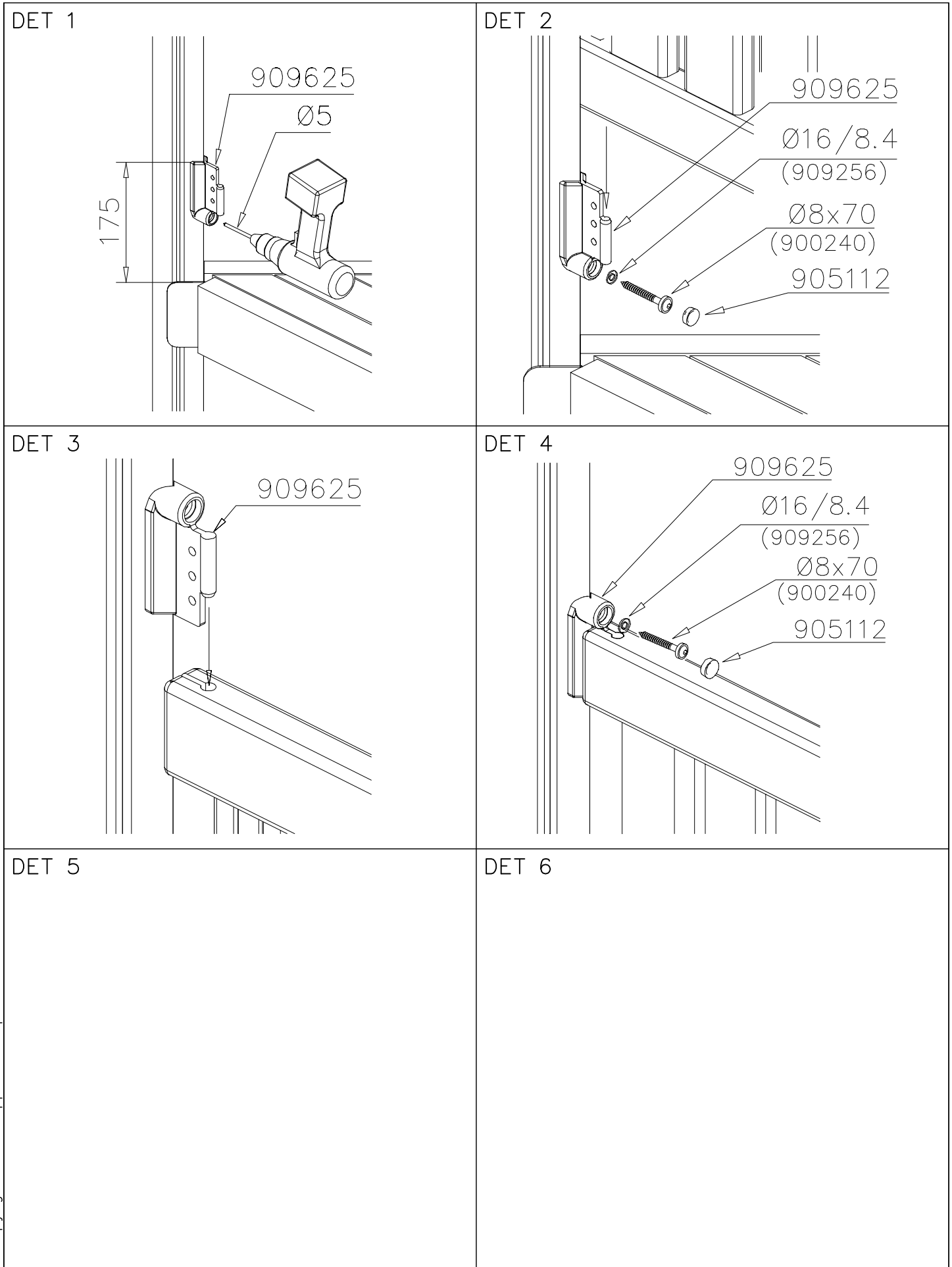


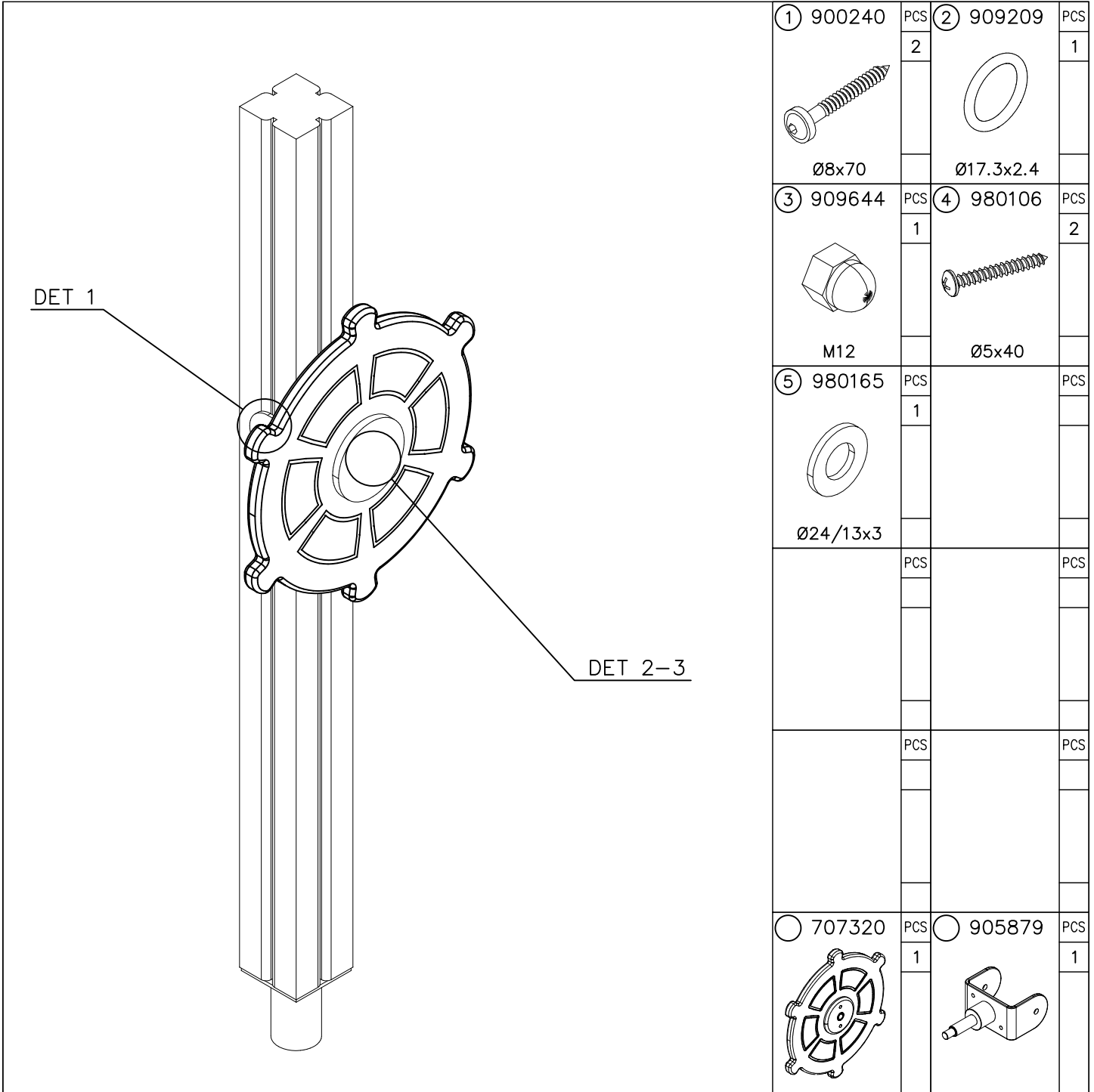


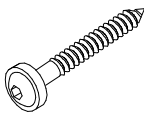
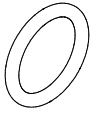
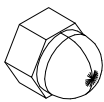
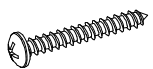

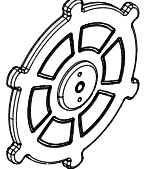
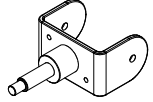


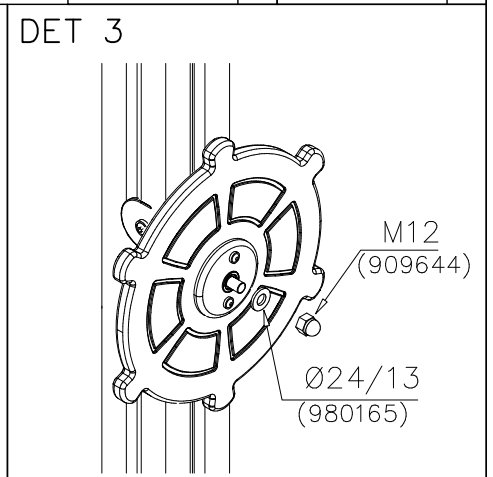
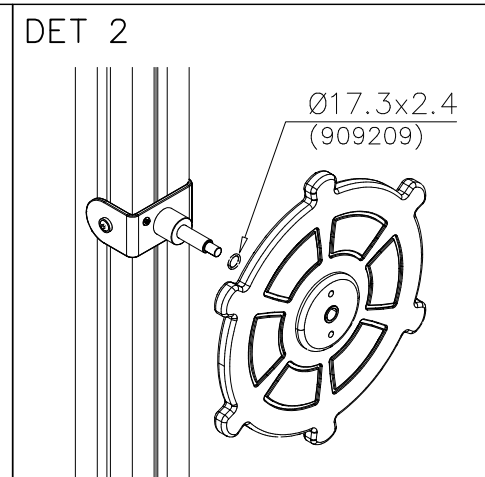
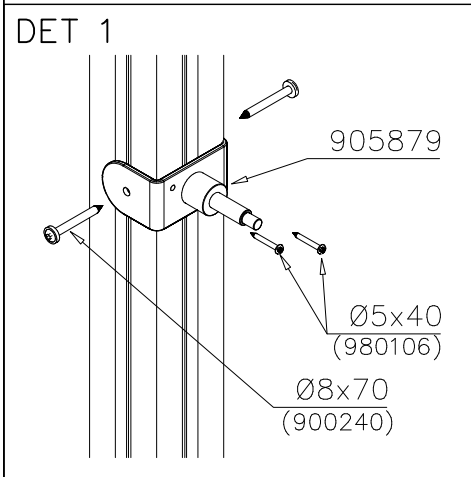
WOODEN WALL OPTIONS

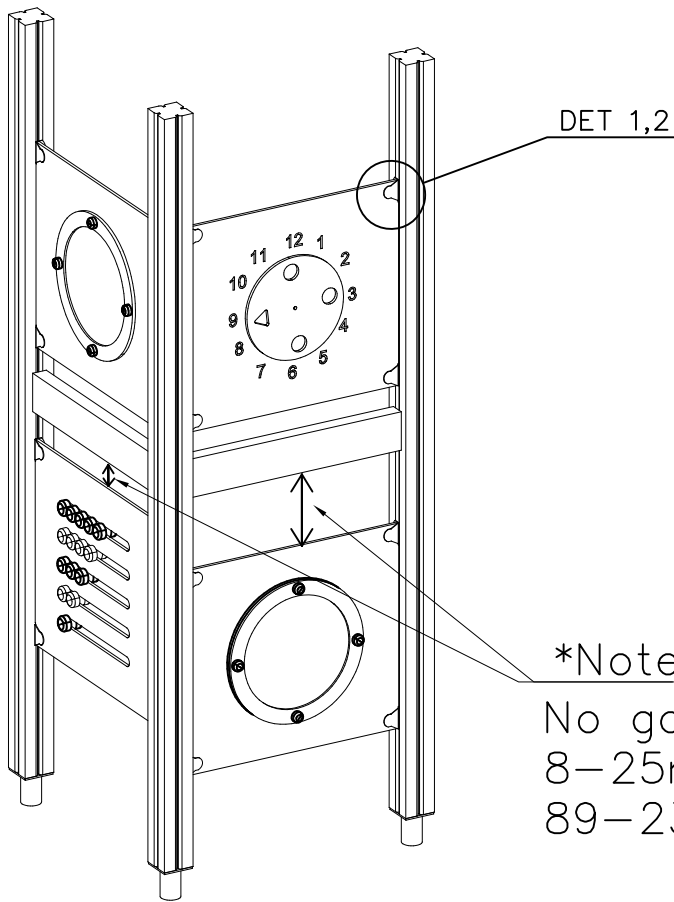
| | | |
|---|------------|-----------|
|  706997 45x640x984 | 706997-605 | DARK GRAY |
| | 706997-606 | GRAY |
| | 706997-607 | RED |
| | 706997-608 | BLUE |
| | 706997-609 | GREEN |
| | 706997-610 | YELLOW |
| | 706997-611 | LIME |
| | 706997-612 | FUXIA |
| | | |
| | | |
| | | |





| | | | |
|---|-----|---|-----|
| ① 900240 | PCS | ② 909209 | PCS |
|  | 2 |  | 1 |
| Ø8x70 | | Ø17.3x2.4 | |
| ③ 909644 | PCS | ④ 980106 | PCS |
|  | 1 |  | 2 |
| M12 | | Ø5x40 | |
| ⑤ 980165 | PCS | | PCS |
|  | 1 | | |
| Ø24/13x3 | | | |
| | PCS | | PCS |
| | | | |
| | PCS | | PCS |
| | | | |
| ○ 707320 | PCS | ○ 905879 | PCS |
|  | 1 |  | 1 |





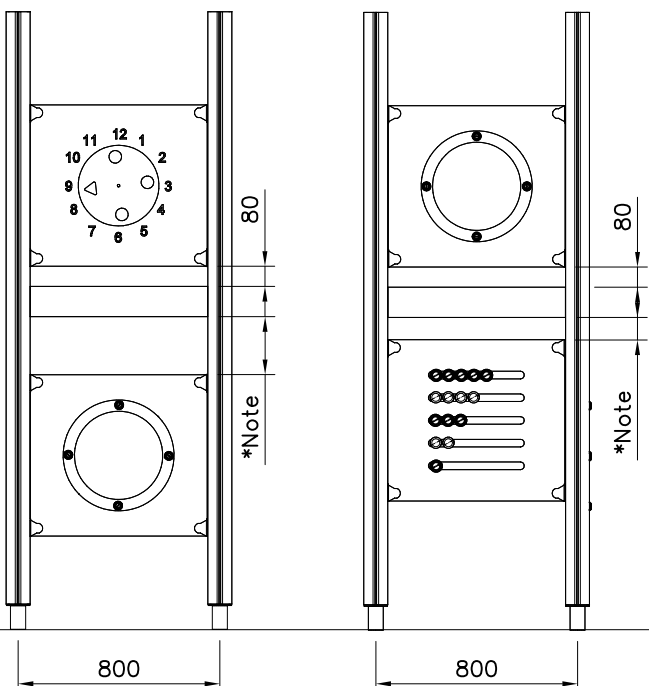
| | | | |
|-------------|-----|----------|-----|
| ① 903176 | PCS | ② 909850 | PCS |
| | 4 | | 4 |
| | | M8x25 | |
| ③ 909256 | PCS | ④ 909633 | PCS |
| | 8 | | 4 |
| Ø16/8.4x1.6 | | M8 | |
| ⑤ 980123 | PCS | | PCS |
| | 4 | | |
| Ø7x60 | | | |

*Note:

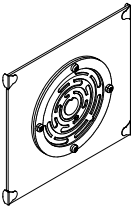
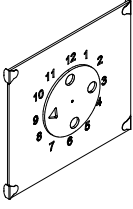
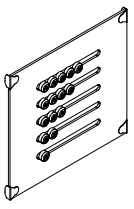
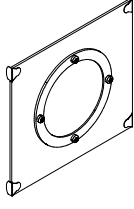
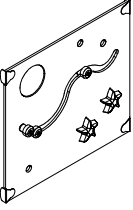
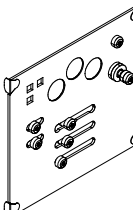
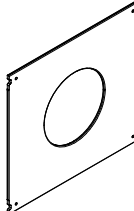
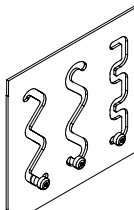
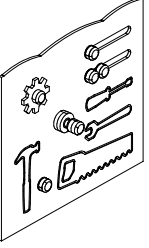
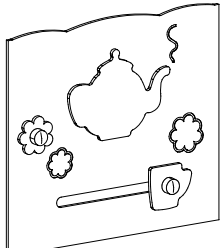
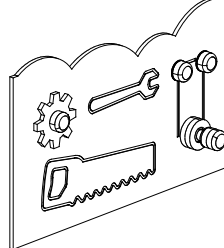
No gaps between:
8–25mm
89–230mm

COLOR OPTIONS

| | |
|------|------------|
| -701 | BLUE |
| -702 | YELLOW |
| -703 | LIME |
| -704 | DARK GRAY |
| -705 | LIGHT GRAY |
| -706 | RED |
| -707 | GREEN |
| -708 | FUXIA |



GAME WALL OPTIONS

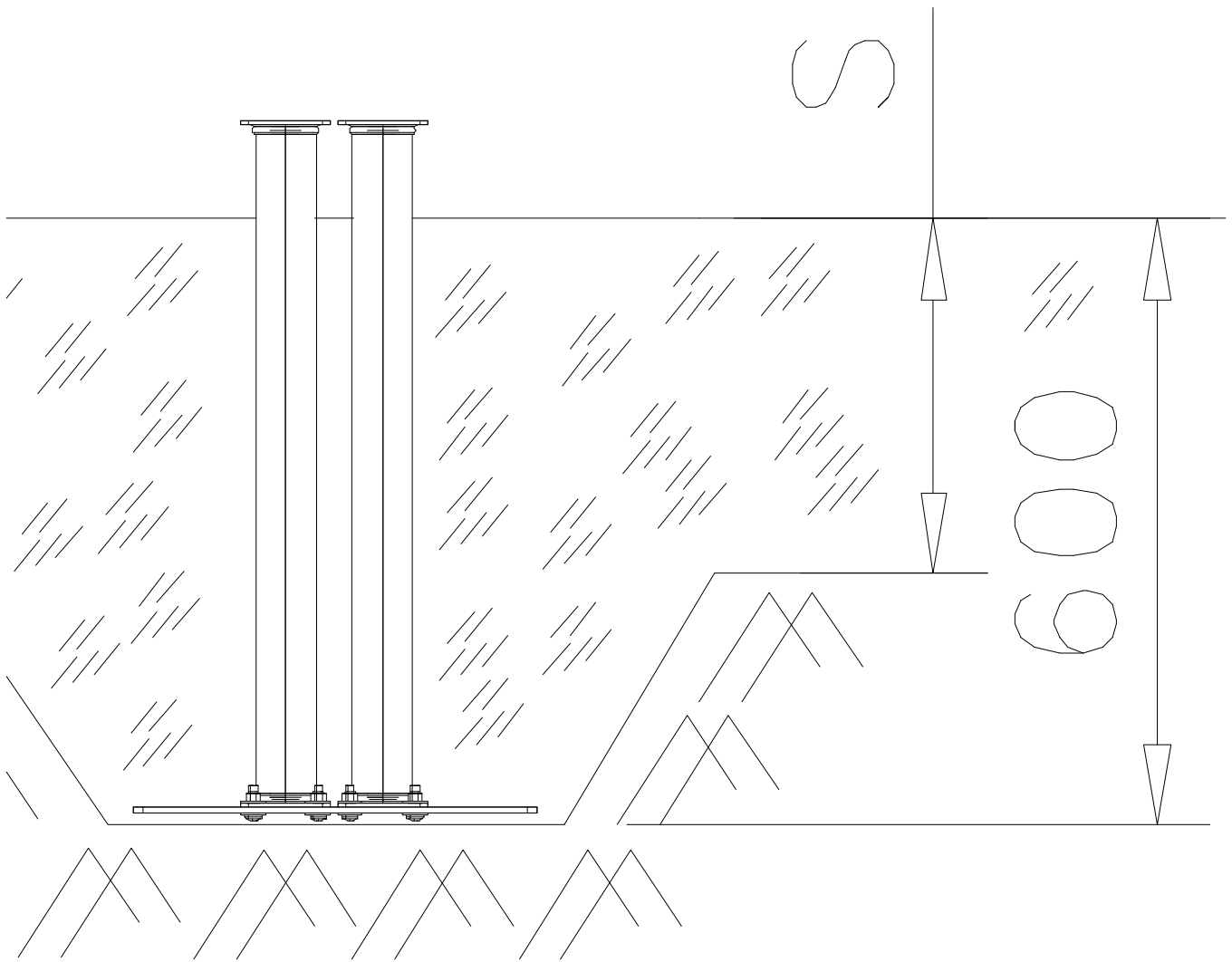
| | | | |
|---|---|--|--|
| 706766 | 706772 | 706308 | 707453 |
|  |  |  |  |
| 640x702 | 640x702 | 640x702 | 640x702 |
| 707209 | 705705 | 707433 | 707386 |
|  |  |  |  |
| 640x702 | 640x702 | 640x702 | 640x702 |
| 709403 | 709358 | 709405 | |
|  |  |  | |
| 640x702 | 640x702 | 420x702 | |

DET 1



DET 2



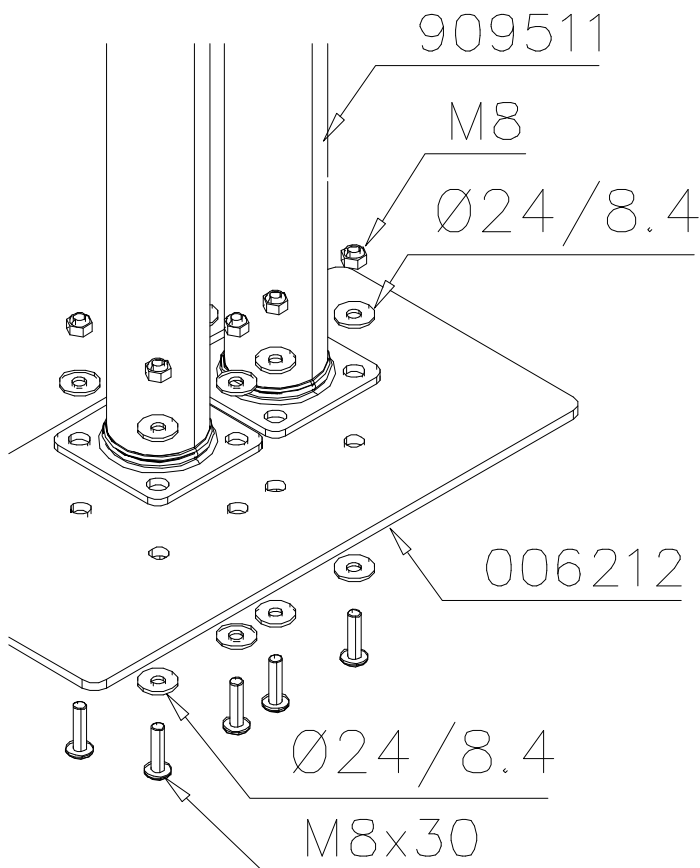
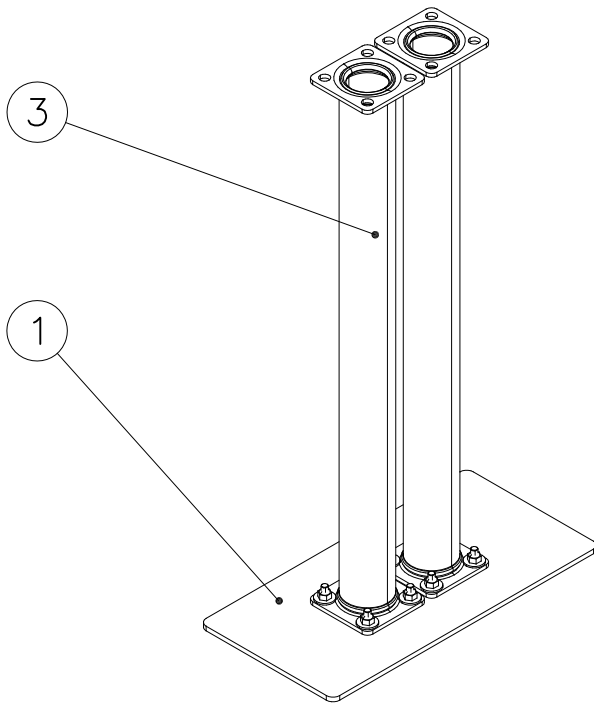


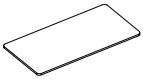


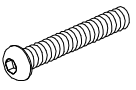

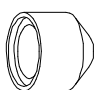
LAPPSET® DEEP FOUNDATION

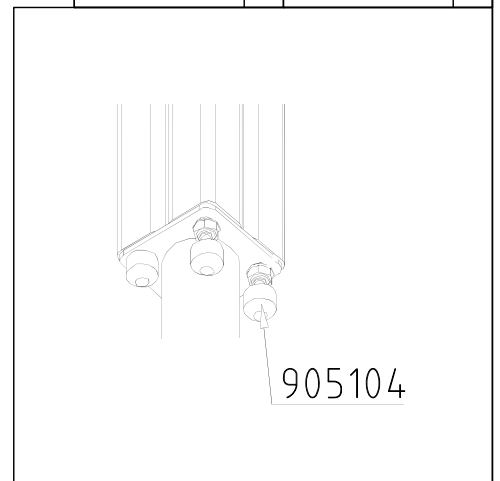
TWINFOOT

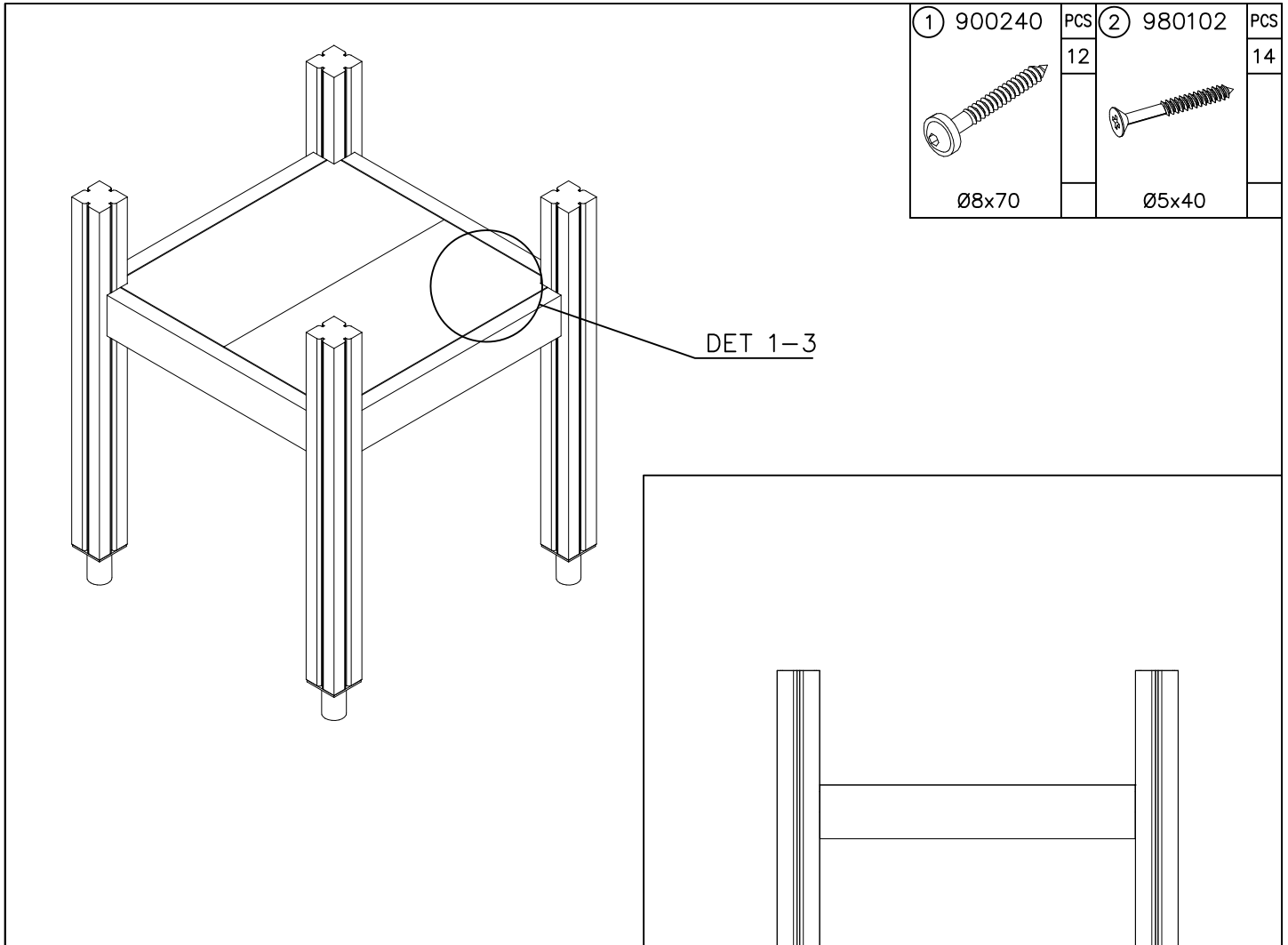
DATE: 26.10.2015

1(1)

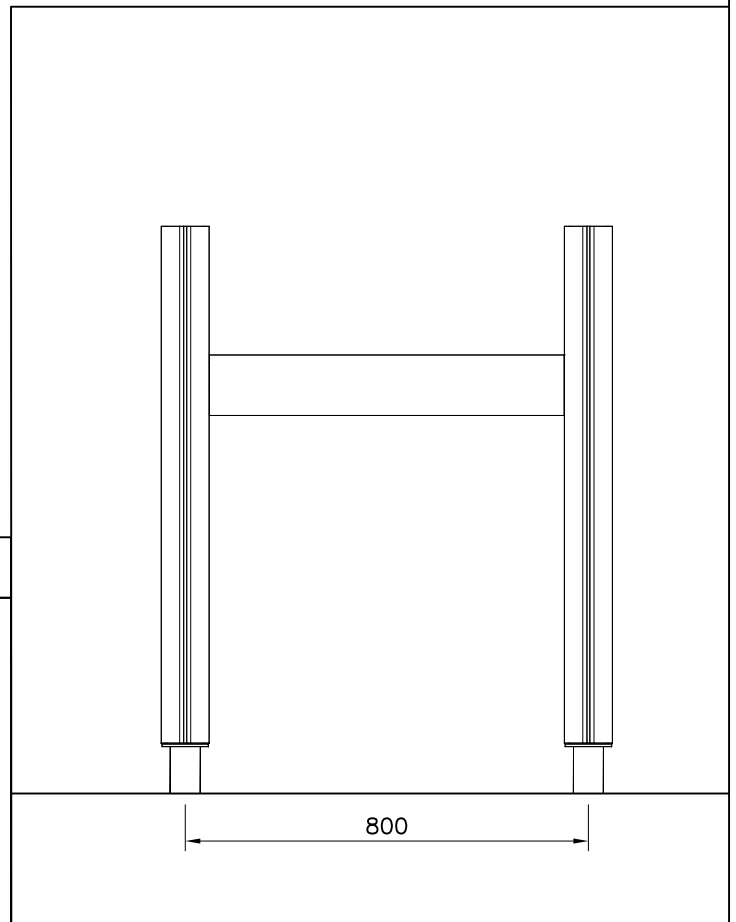


| | | | |
|---|-----|---|-----|
| ① 006212 | PCS | ② 905051 | PCS |
| | 1 | | 16 |
|  | |  | |
| 6x200x400 | | Ø24/8.4 | |
| ③ 909511 | PCS | ④ 909852 | PCS |
| | 2 | | 8 |
|  | |  | |
| 90x90x650 | | M8x30 | |
| ⑤ 980150 | PCS | ⑥ 905104 | PCS |
| | 8 | | 8 |
|  | |  | |
| M8 | | M10 | |
| | PCS | | PCS |
| | | | |
| | PCS | | PCS |
| | | | |
| | PCS | | PCS |
| | | | |





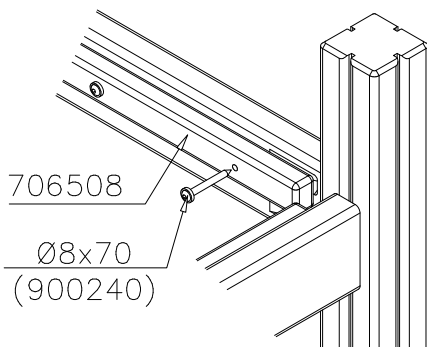
| | | | |
|----------|-----|----------|-----|
| ① 900240 | PCS | ② 980102 | PCS |
| | 12 | | 14 |
| Ø8x70 | | Ø5x40 | |



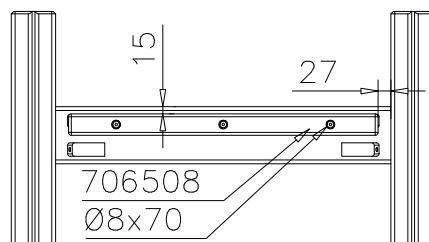
FLOOR OPTIONS

| | | |
|------------|------------|------------|
| 707327 | 707327-701 | BLUE |
| | 707327-702 | YELLOW |
| | 707327-703 | LIME |
| | 707327-704 | DARK GRAY |
| | 707327-705 | LIGHT GRAY |
| | 707327-706 | RED |
| | 707327-707 | GREEN |
| | 707327-708 | FUXIA |
| 15x375x750 | | |

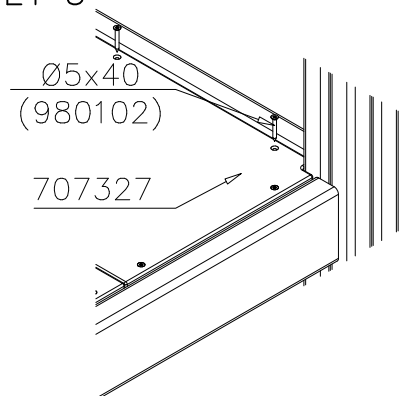
DET 1



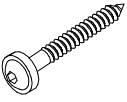
DET 2

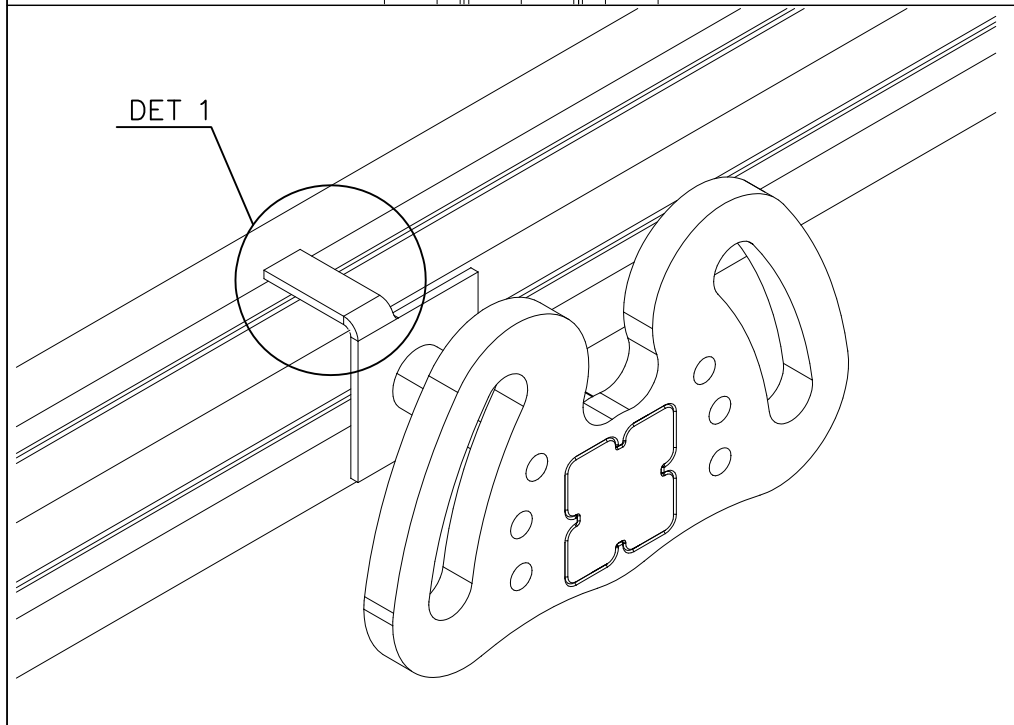


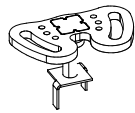
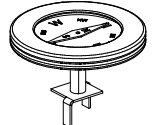
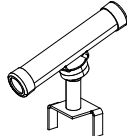
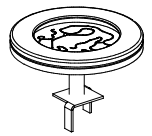
DET 3

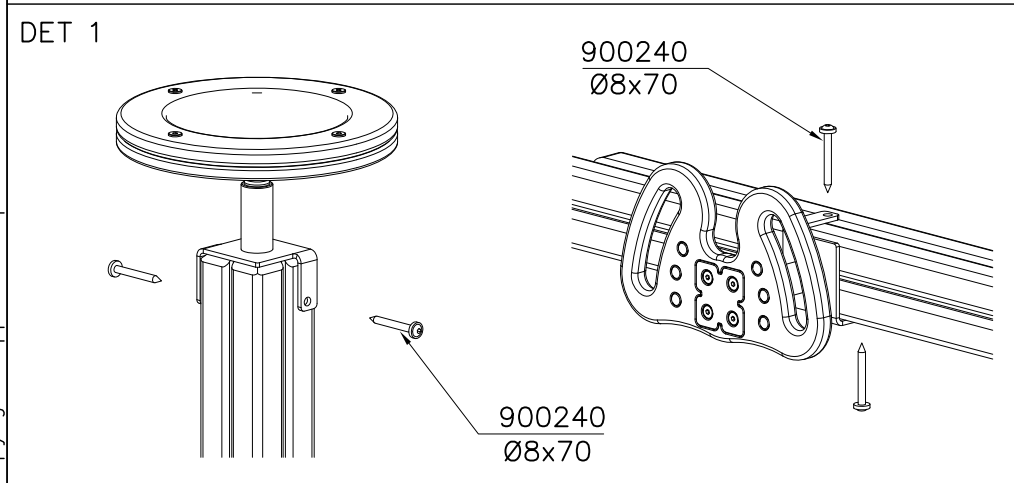




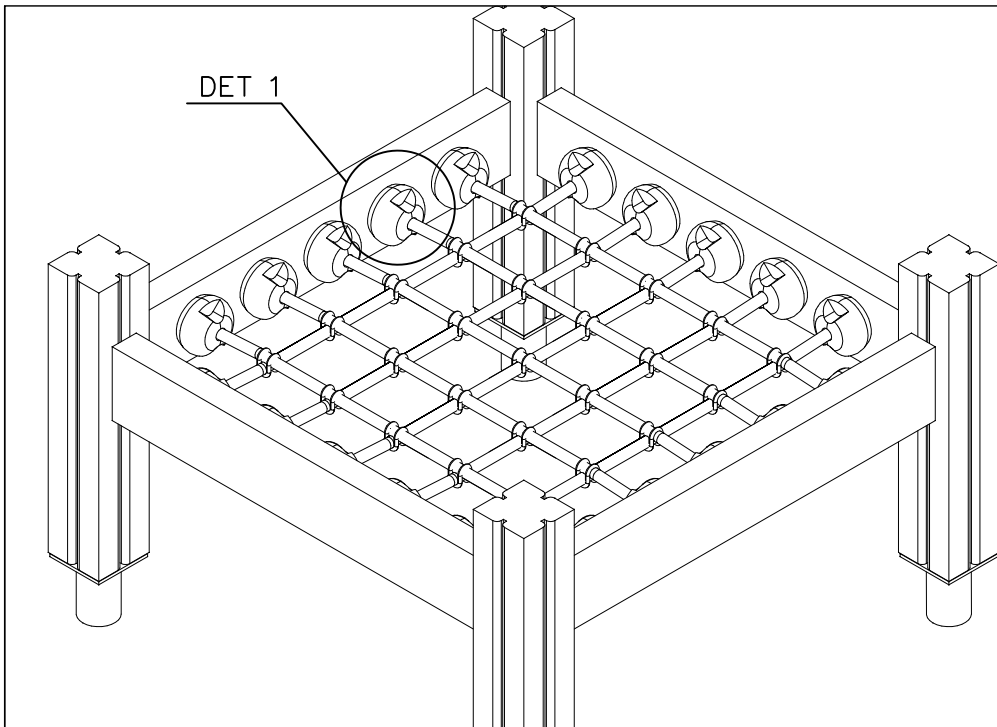
| | | | |
|---|-----|--|-----|
| ① 900240 | PCS | | PCS |
|  | 2 | | |
| Ø8x70 | | | |
| | PCS | | PCS |
| | | | |
| | PCS | | PCS |
| | | | |

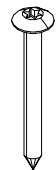

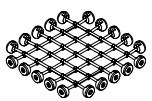


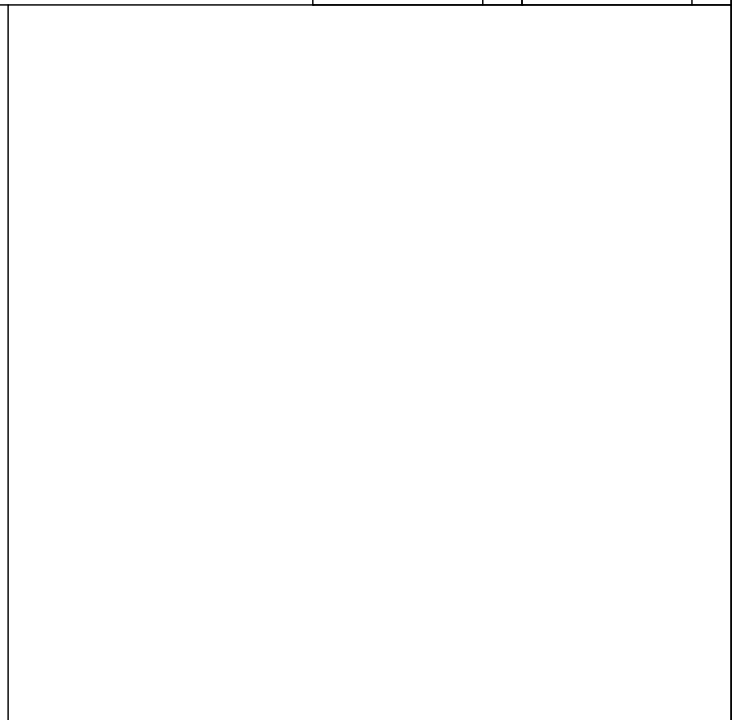
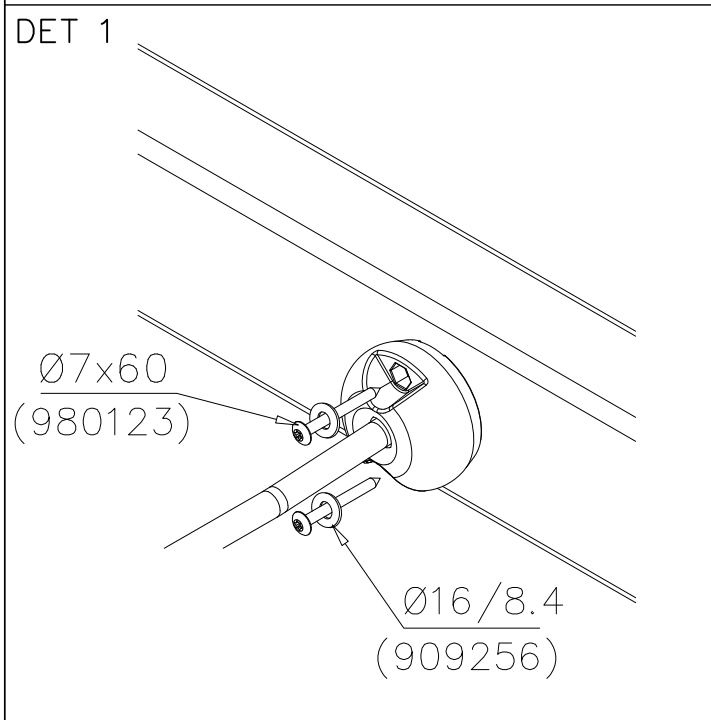
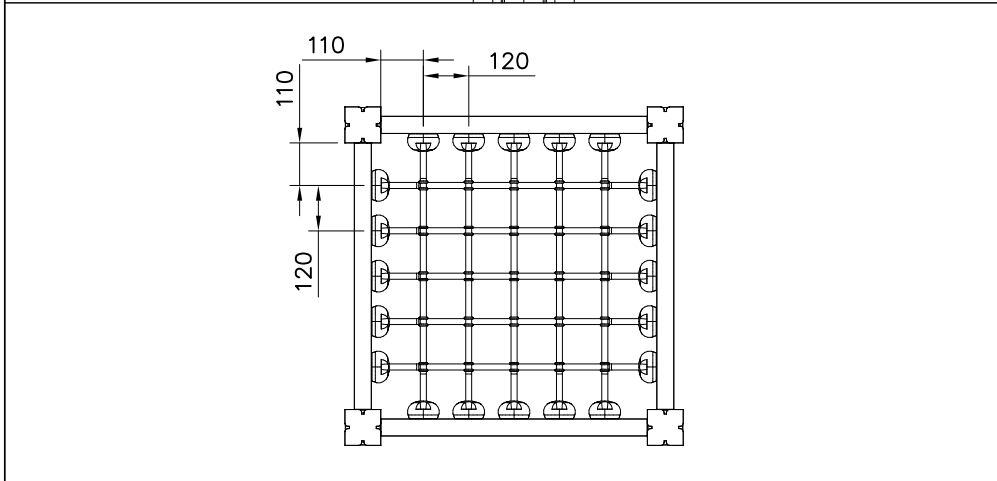
| | | | |
|---|-----|---|-----|
| ○ 707302 | PCS | ○ 707303 | PCS |
|  | 1 |  | 1 |
| ○ 707304 | PCS | ○ 707305 | PCS |
|  | 1 |  | 1 |
| | PCS | | PCS |
| | | | |



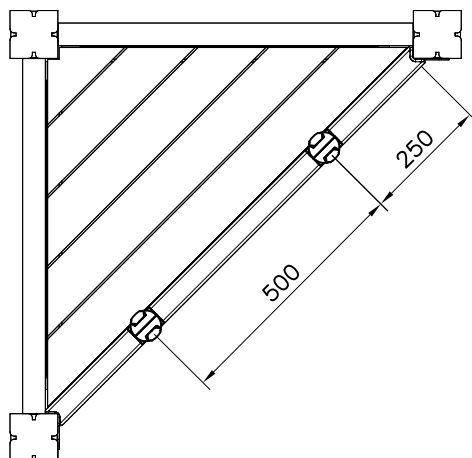
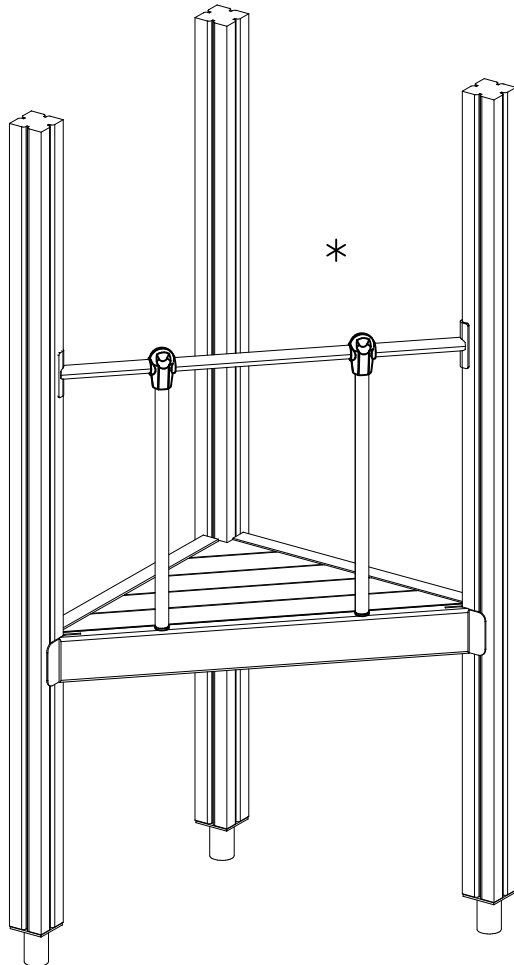
| | | | |
|--|-----|--|-----|
| | PCS | | PCS |
| | | | |
| | PCS | | PCS |
| | | | |





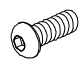
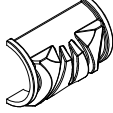





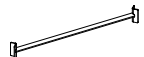



| | | | |
|---|-----|---|-----|
| ① 980123 | PCS | ② 909256 | PCS |
|  | 40 |  | 40 |
| Ø7x60 | | Ø16/8.4 | |
| | PCS | | PCS |
| | | ○ 707590 | PCS |
| | |  | |
| | | 755x755 | |
| | PCS | | PCS |
| | | | |
| | PCS | | PCS |
| | | | |

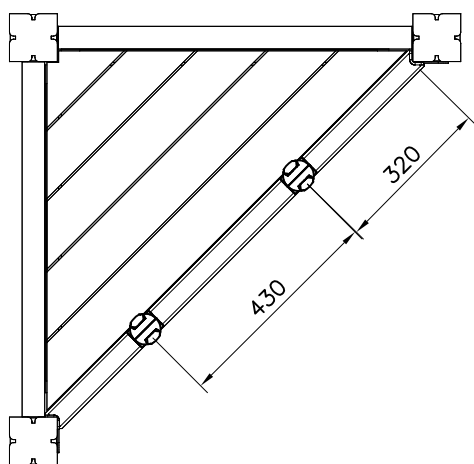
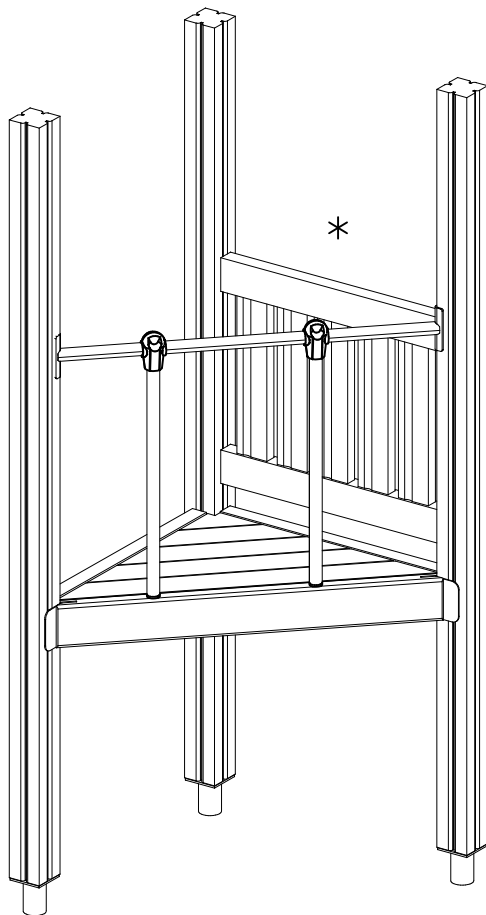


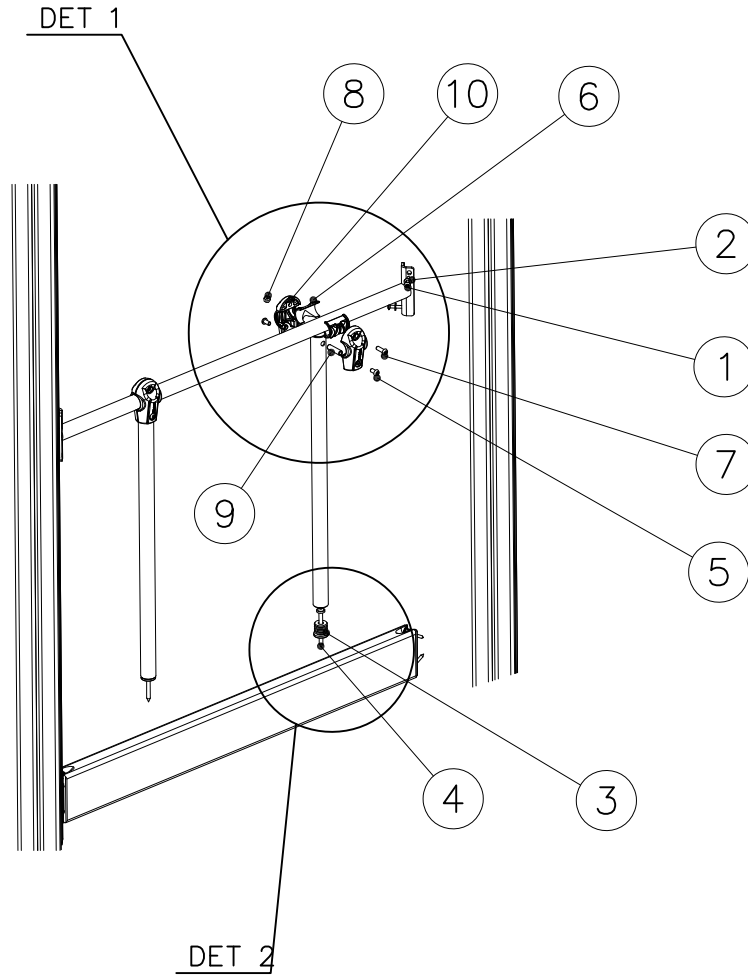
OPTION 1. No wall on the sides



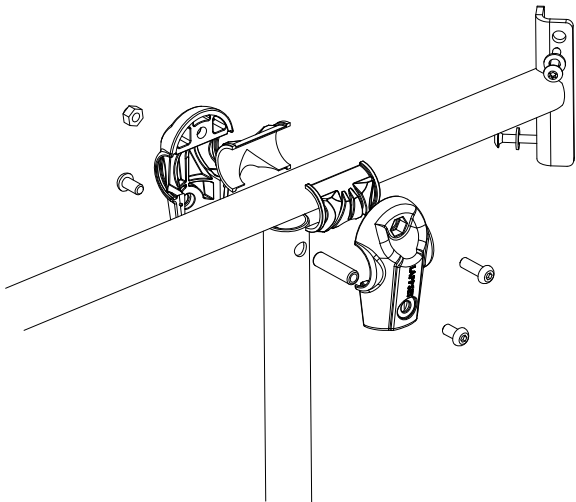
| | | | | | |
|---|---|-----|---|---|-----|
| ① | 980128 | PCS | ② | 909256 | PCS |
| |  | 4 | |  | 4 |
| | 93x93x2150 | | | Ø16/8.4 | |
| ③ | 908057 | PCS | ④ | 903093 | PCS |
| |  | 2 | |  | 2 |
| | Ø32/29-L5/30 | | | Ø8x90 | |
| ⑤ | 900342 | PCS | ⑥ | 901900 | PCS |
| |  | 4 | |  | 4 |
| | M8x16 | | | 20.5x36.2x56 | |
| ⑦ | 909850 | PCS | ⑧ | 980150 | PCS |
| |  | 2 | |  | 2 |
| | M8x25 | | | M8 | |
| ⑨ | 901182 | PCS | ⑩ | 901902 | PCS |
| |  | 2 | |  | 4 |
| | Ø11/M8x40 | | | 30.7x60.9x100 | |
| | | PCS | | | PCS |
| | | | | | |
| | | PCS | ○ | 908044 | PCS |
| | | | |  | 2 |
| | | | | Ø33.7x679 | |
| ○ | 911529 | PCS | ○ | 907920 | PCS |
| |  | 1 | |  | 1 |
| | | OR | | | |

OPTION 2. Wall on either side (move vertical bar 70mm)

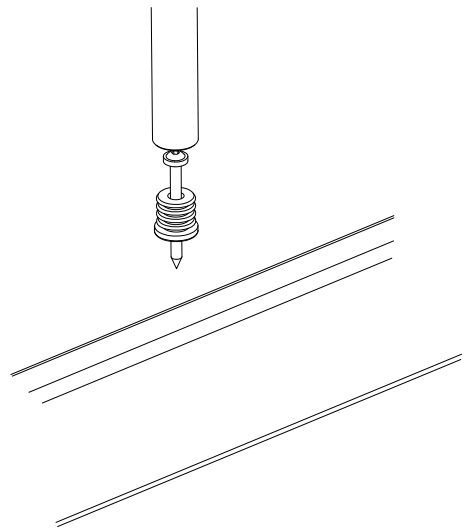


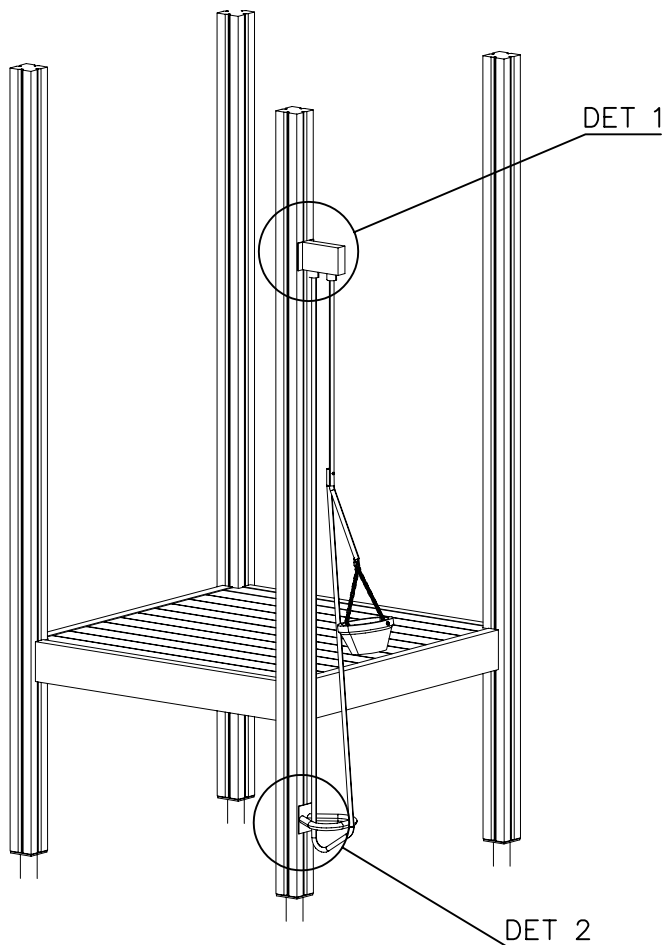


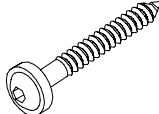

DET 1

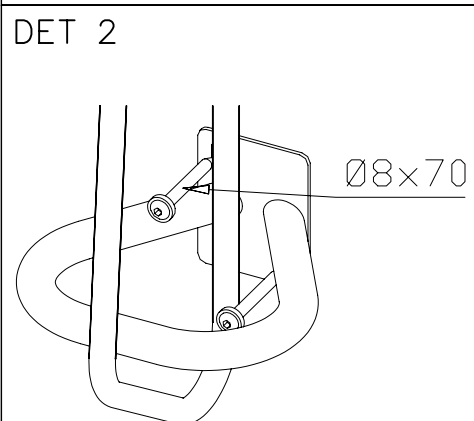
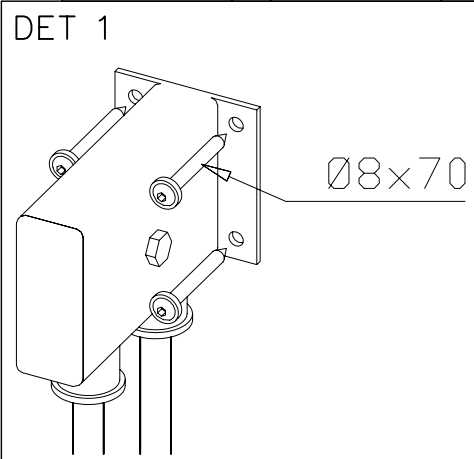
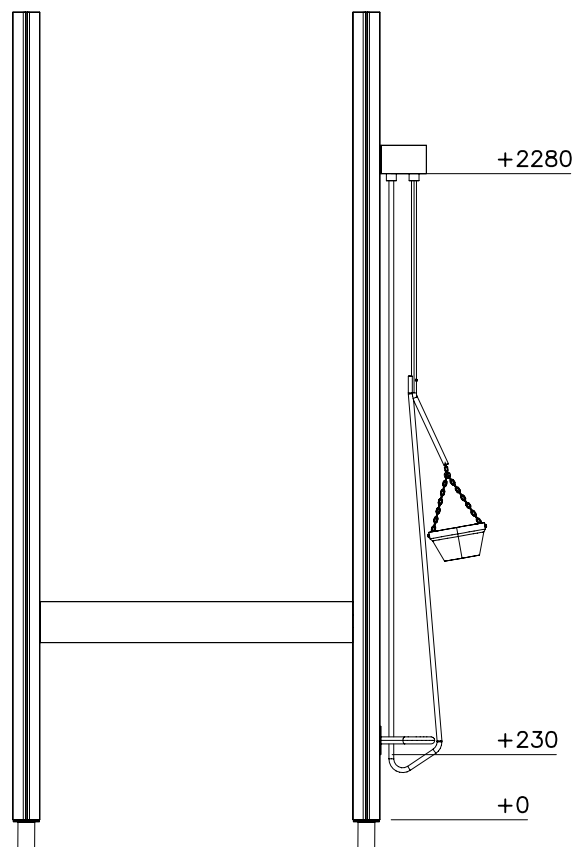


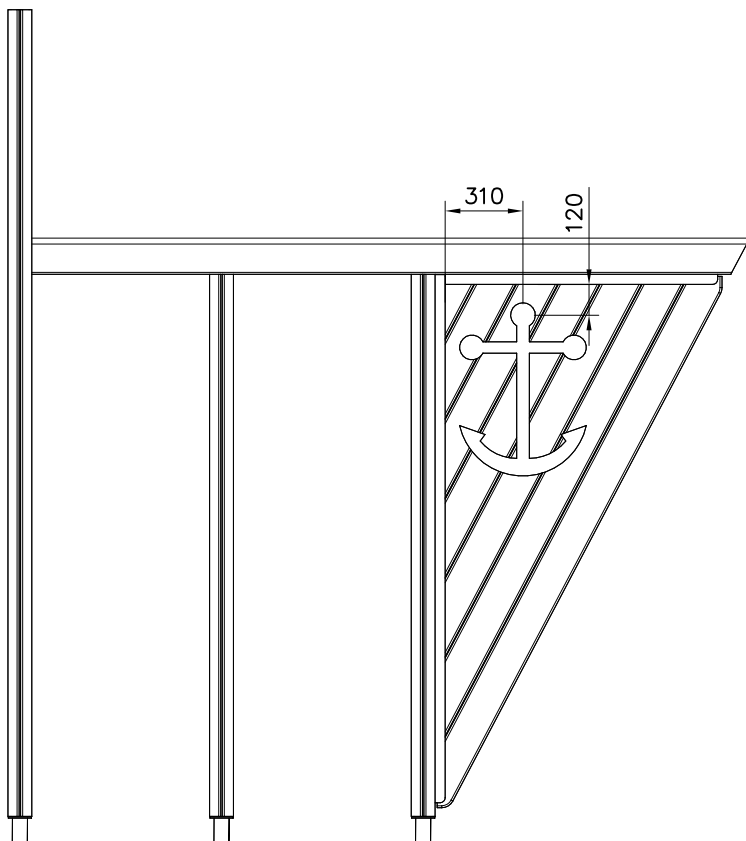
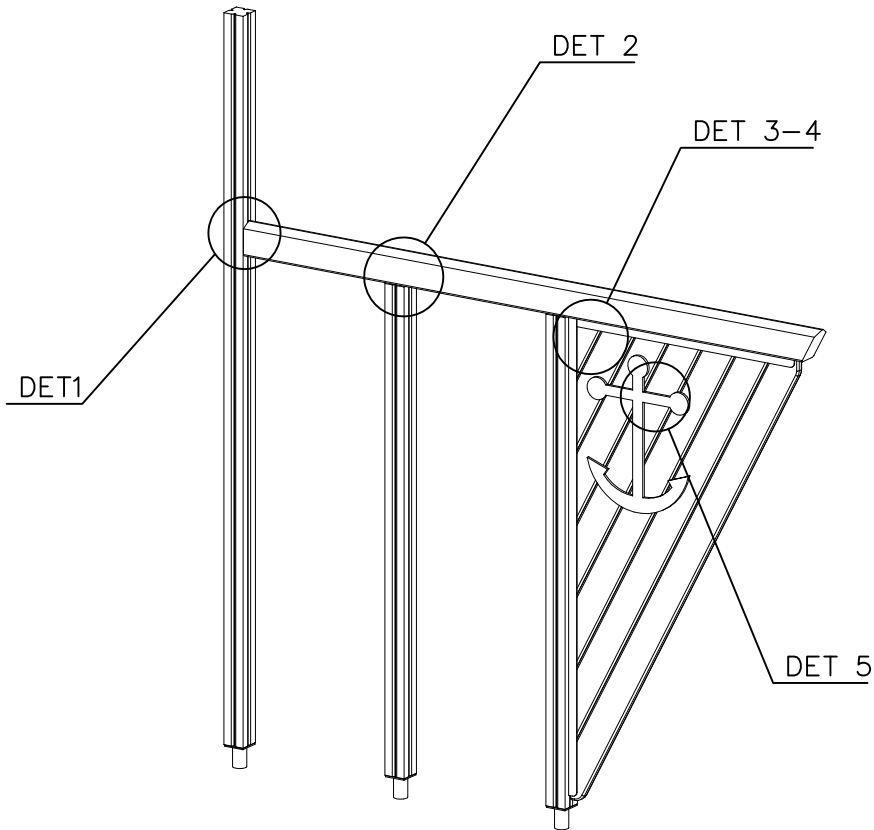
DET 2







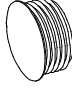
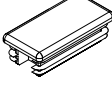


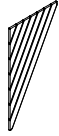






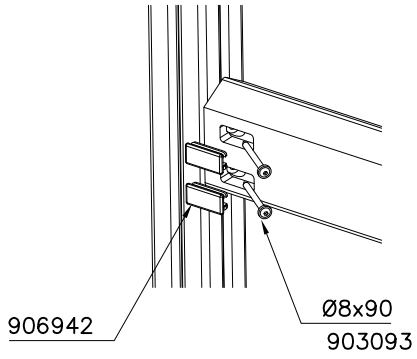
| | | | |
|---|-----|---|-----|
| ① 900240 | PCS | ② 902199 | PCS |
|  | 6 |  | 1 |
| Ø8x70 | | 2214x373 | |
| | PCS | | PCS |
| | | | |
| | PCS | | PCS |
| | | | |
| | PCS | | PCS |
| | | | |



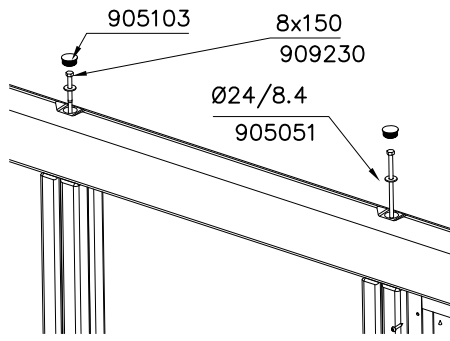


| | | | | | |
|---|---|-----|---|---|-----|
| ① | 980122 | PCS | ② | 980131 | PCS |
| |  | 14 | |  | 10 |
| | Ø5x30 | | | Ø6x60 | |
| ③ | 980128 | PCS | ④ | 903093 | PCS |
| |  | 12 | |  | 2 |
| | Ø7x40 | | | Ø8x90 | |
| ⑤ | 909230 | PCS | ⑥ | 905051 | PCS |
| |  | 2 | |  | 2 |
| | 8x150 | | | Ø24/8.4 | |
| ⑦ | 905103 | PCS | ⑧ | 906942 | PCS |
| |  | 2 | |  | 2 |
| | PT-28/32-H | | | IRR30601.5-3S | |
| | | PCS | | | PCS |
| | | | | | |
| ○ | 704868 | PCS | ○ | 707633 | PCS |
| |  | 2 | |  | 1 |
| | 12x503x687 | | | 90x145x2855 | |
| ○ | 707653 | PCS | ○ | 929325 | PCS |
| |  | 1 | |  | 1 |
| | 32x1130x2110 | | | 40x40x1080 | |
| ○ | 929326 | PCS | | | PCS |
| |  | 1 | | | |
| | 40x40x3x2095 | | | | |

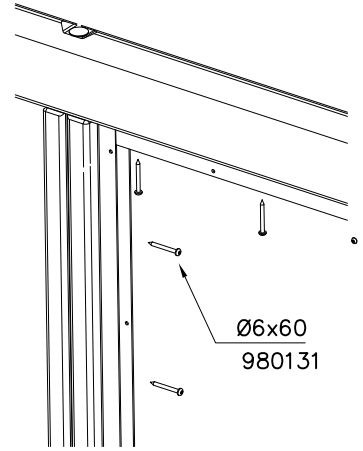
DET 1



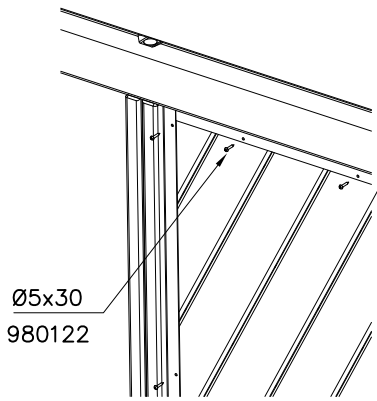
DET 2



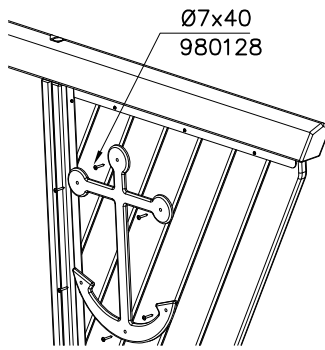
DET 3



DET 4



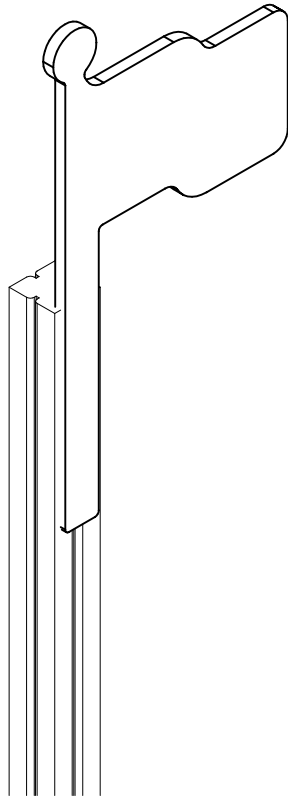
DET 5


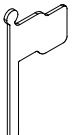




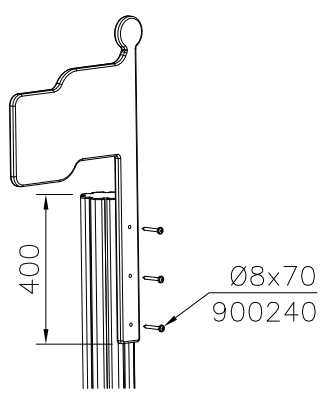
| | | | |
|---|-----|---|-----|
| ① 900240 | PCS | ② 900727 | PCS |
|  | 1 |  | 1 |
| Ø8x70 | | M10x80 | |
| | PCS | | PCS |
| | | | |
| | | | |
| ③ 907688 | PCS | ③ 907701 | PCS |
|  | 1 |  | 1 |
| 765 | | 545 | |
| | PCS | | PCS |
| | | | |
| | | | |
| | PCS | | PCS |
| | | | |
| | | | |
| | | | |
| | PCS | | PCS |
| | | | |
| | | | |
| | | | |
| | PCS | | PCS |
| | | | |
| | | | |





| | | | |
|---|-----|--|-----|
| ① 900240 | PCS | | PCS |
| | 3 | | |
|  | | | |
| Ø8x70 | | | |
| | PCS | | PCS |
| | | | |
| | | | |
| | PCS | | PCS |
| | | | |
| | | | |
| | PCS | | PCS |
| | | | |
| | | | |
| | PCS | | PCS |
| | | | |
| | | | |
| | PCS | | PCS |
| | | | |
| | | | |
| ○ 707621 | PCS | | PCS |
|  | 1 | | |
| 21x489x900 | | | |

DET 2





Tuotekyltti tulee tuotteen mukana yhdellä seuraavista tavoista:

1) Metallinen tuotekyltti ja kiinnitysruuvit

- Kiinnitä tuotekyltti ruuveilla tolppaan noin 2 metrin korkeuteen kuvan 1 mukaisesti.

2) Tuotekylttitarra

- Puhdista maalattu metalli- tai vaneripinta pölystä ja kosteudesta. Liimaa tarra kuvan 2 mukaisesti.
- Huom. Älä kiinnitä tarraa karheapintaiseen laminaattiin tai maalattuun puuhun.

Vår produktmärkning levereras på ett av följande sätt:

1) Produktskylt i metall

- Fäst skylten med de medföljande skruvarna

2) Självhäftande produktetikett

- Rengör den pulverlackerade metallytan eller laminatyten så att den blir fri från smuts och fukt. Fäst etiketten enligt fig. 2.
- Obs! Fäst ej etiketten på detaljer med skrovlig yta eller på målat trä.

Product label is delivered by one of following ways:

1) Metal product label and screws

- Fasten the label with screws.

2) Label sticker

- Clean the painted metal or plywood surface from dirt and moisture. Fasten the sticker as shown in the figure 2.
- Note. Do not attach the sticker to rough surfaced laminate or painted wood.

La plaque d'informations produit est livrée sous l'une de ces 3 formes :

1) Plaque métallique et vis

- Fixez la plaque à l'aide des vis.

2) Etiquette autocollante

- Avant de coller l'étiquette, nettoyez le composant métallique peint ou la plaque de contreplaqué, de toute saleté. La surface doit être sèche (voir image 2).
- Attention, ne pas coller l'étiquette sur une surface lamellé-collée irrégulière ou sur du bois peint.

Die Auslieferung des Produktaufklebers erfolgt auf eine dieser Arten:

1) Produkt-Schild aus Metall incl. Schrauben

- Die Befestigung des Schildes erfolgt mittels der Schrauben.

2) Aufkleber

- Entfernen Sie zunächst Schmutz und Feuchtigkeit vom lackierten Metall bzw. von der Holzoberfläche und bringen Sie den Aufkleber wie im Bild oben rechts beschrieben auf den gesäuberten Untergrund auf.
- Beachten Sie: Bringen Sie den Aufkleber nicht auf raues laminiertes oder lackiertes Holz an.