

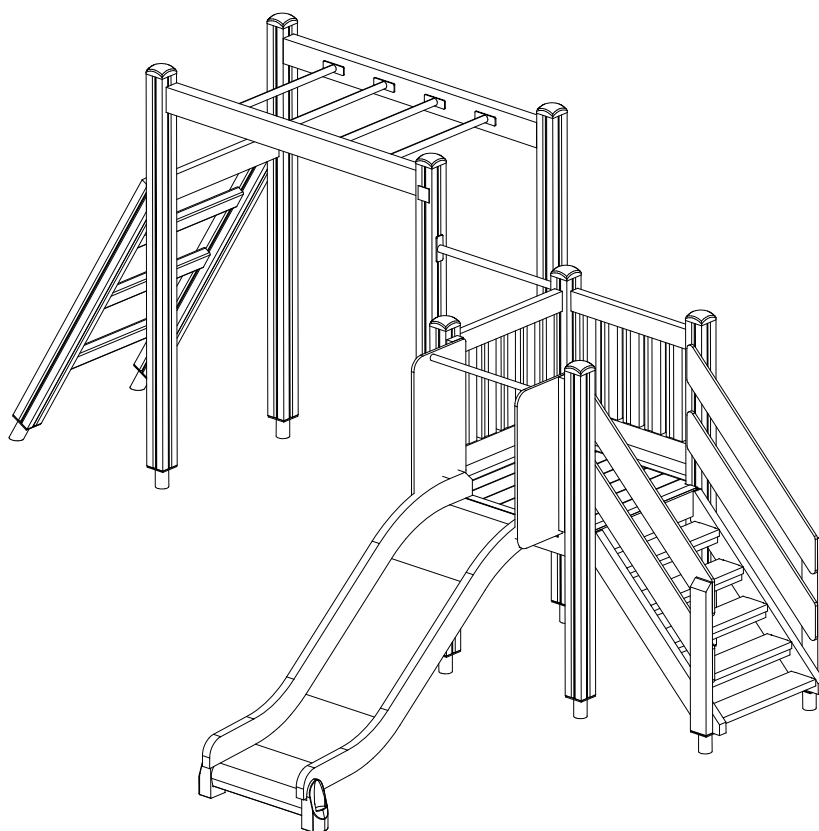
LAPPSET®

CLOVER


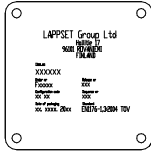
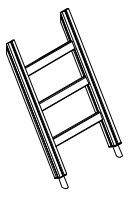


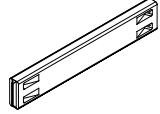

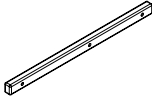
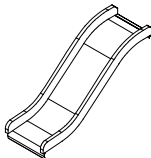


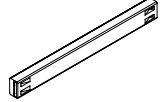
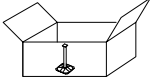
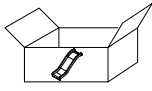
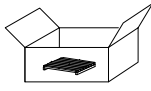
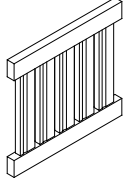
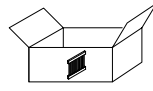
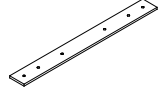
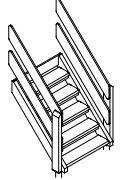

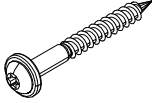
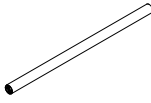

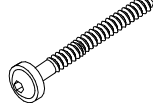
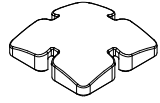
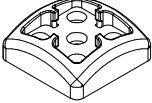
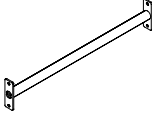
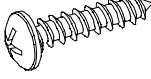

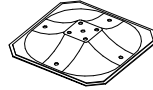
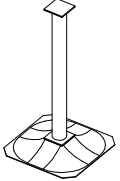

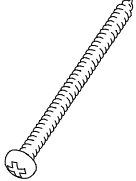
ASENNUSOHJE
MONTERINGSANSVISNING
INSTALLATION INSTRUCTION
AUFBAUANLEITUNG
NOTICE D'INSTALLATION

DATE: 9.10.2018

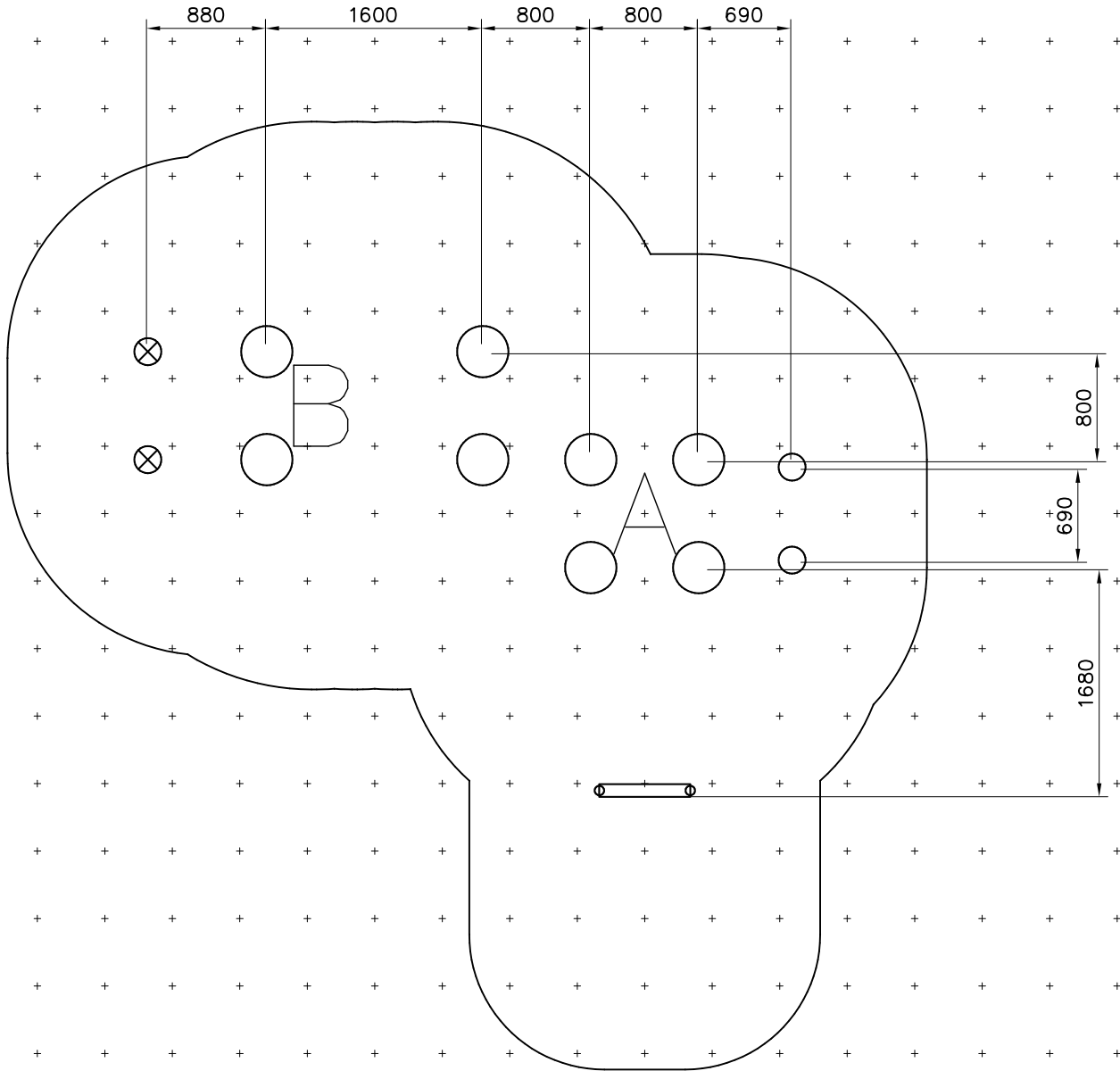
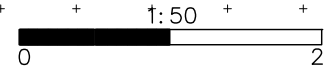
Q10845



DATE: 9.10.2018

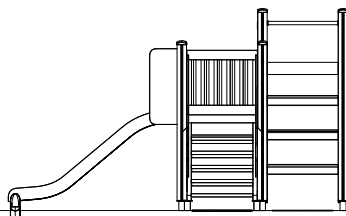
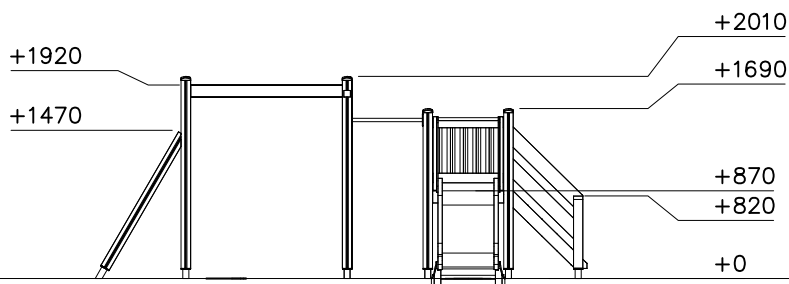
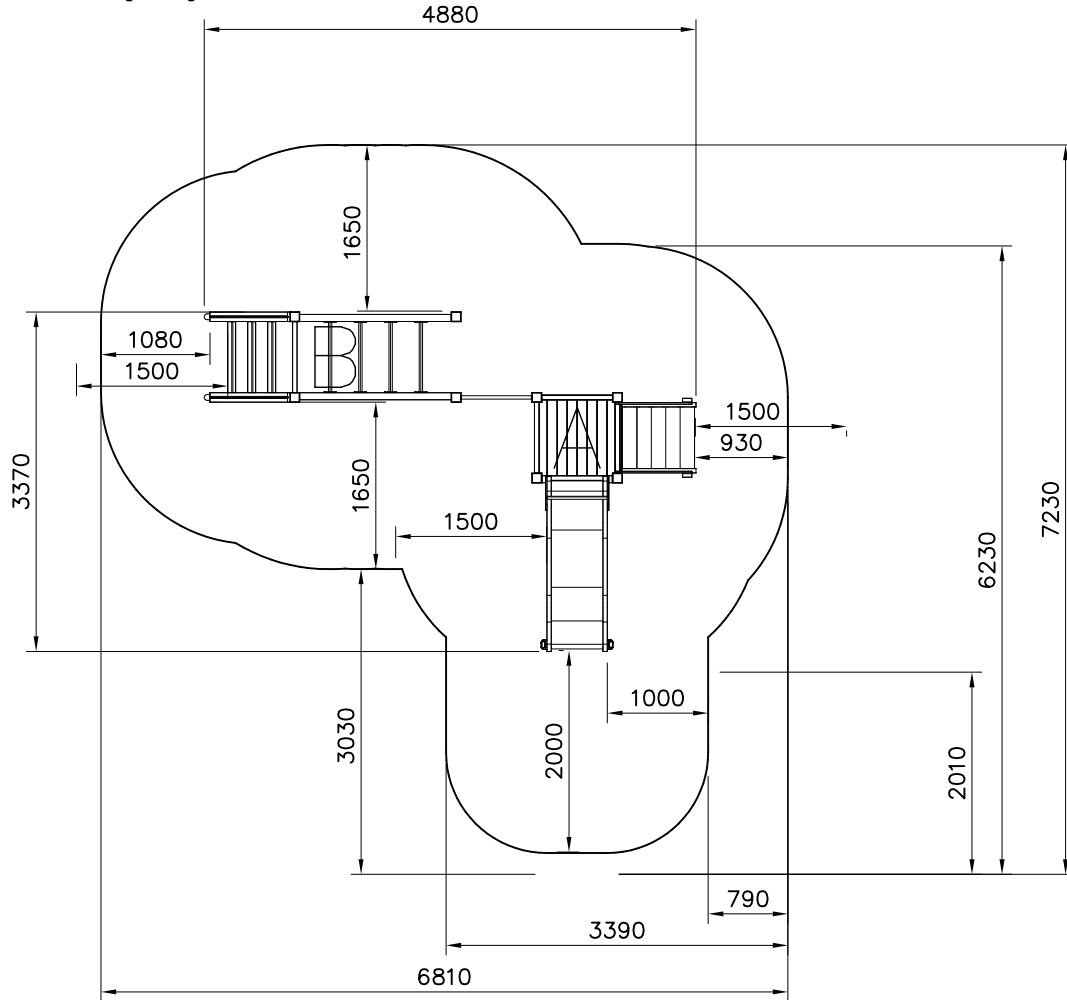
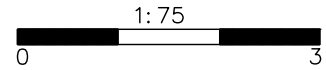
| | | | | | | | | | | | |
|--|-----------|---|----------|--|----------|---|-----------|--|----------|--|-----------|
| 008986  750x750 | PCS 1 | 702286  65x65 | PCS 1 | 703130   | PCS 1 | 706371-704  15x345x750 | PCS 2 | 706439  L 704 | PCS 5 | 706441  93x93x1550 | PCS 4 |
| 706443  32x45x702 | PCS 2 | 706452-604  600x780x1470 | PCS 1 | 706505  35x70x730 | PCS 2 | 706511  93x93x1870 | PCS 4 | 706514  70x120x1504 | PCS 2 | 706531  | PCS 8 |
| 706533  | PCS 1 | 706535  | PCS 1 | 706746  45x640x701 | PCS 2 | 706748  | PCS 2 | 707133  10x80x745 | PCS 1 | 707323   | PCS 1 |
| 900240  Ø8x70 | PCS 20 | 901868  Ø34x598 | PCS 3 | 901879  | PCS 2 | 903093  Ø8x90 | PCS 28 | 905138  GRAY | PCS 8 | 905196  GRAY | PCS 8 |
| 907694-216  L 704 | PCS 5 | 909506  Ø3.5x13 | PCS 4 | 909511  90x90x650 | PCS 8 | 909519  50x380x380 | PCS 8 | 909521   | PCS 2 | 980131  Ø6x60 | PCS 32 |
| | PCS | | PCS | | PCS | | PCS | | PCS | | PCS |
| | PCS | | PCS | | PCS | | PCS | | PCS | | PCS |

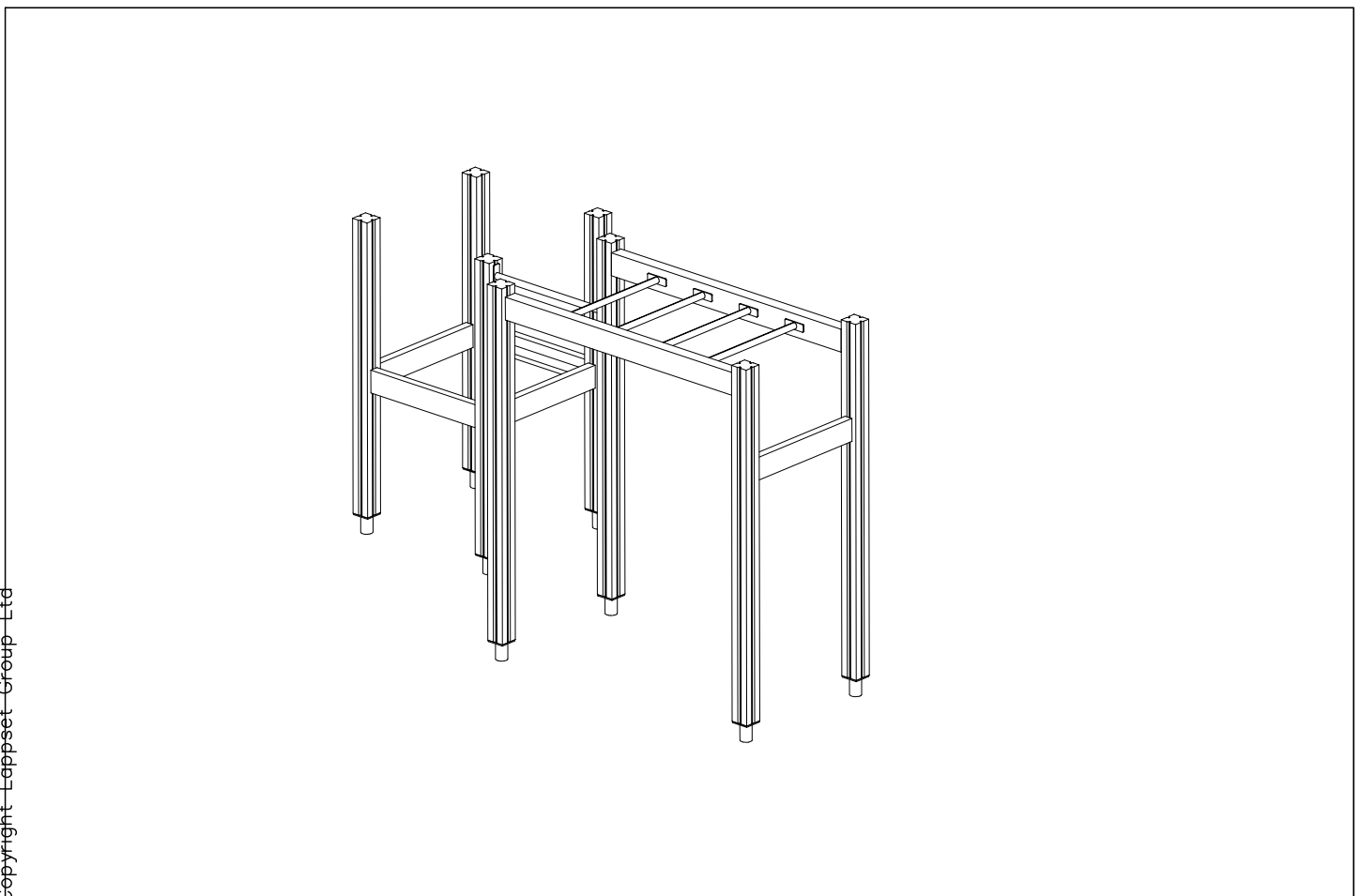
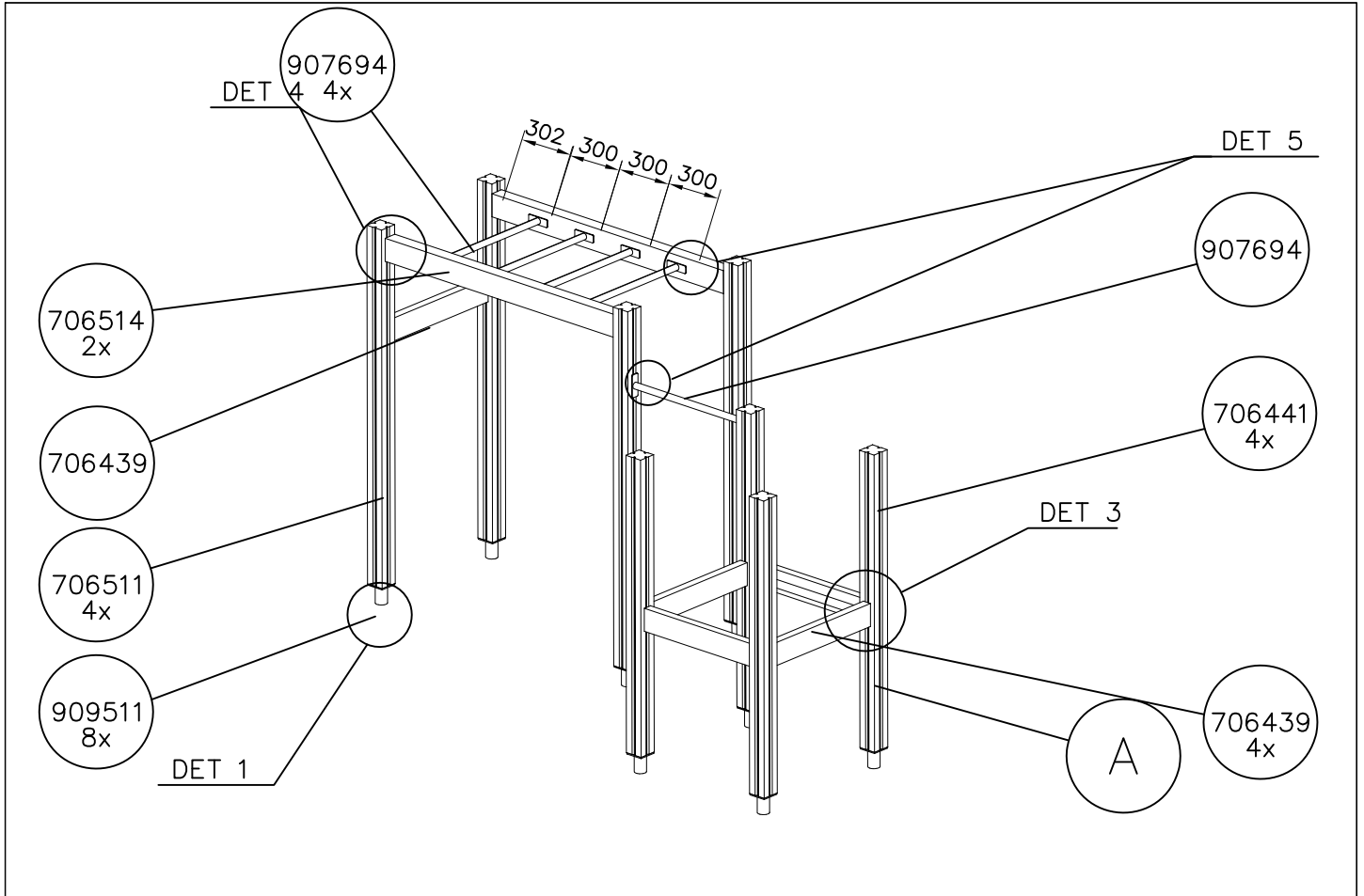
— + EN/AS Impact Area 31.1 m² +
- - - Falling Space 34 m²
Grid size = 500 mm
Max Falling Height 1920 mm

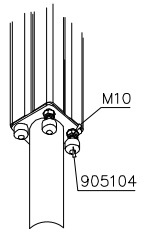
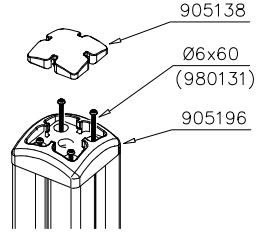
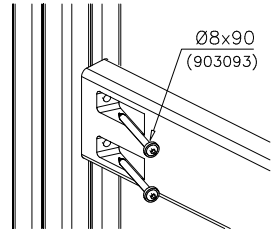
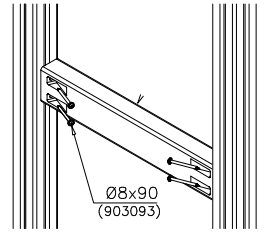
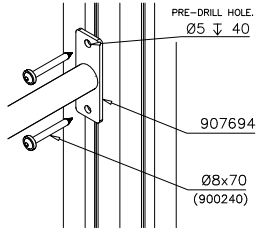
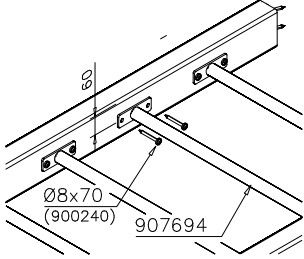


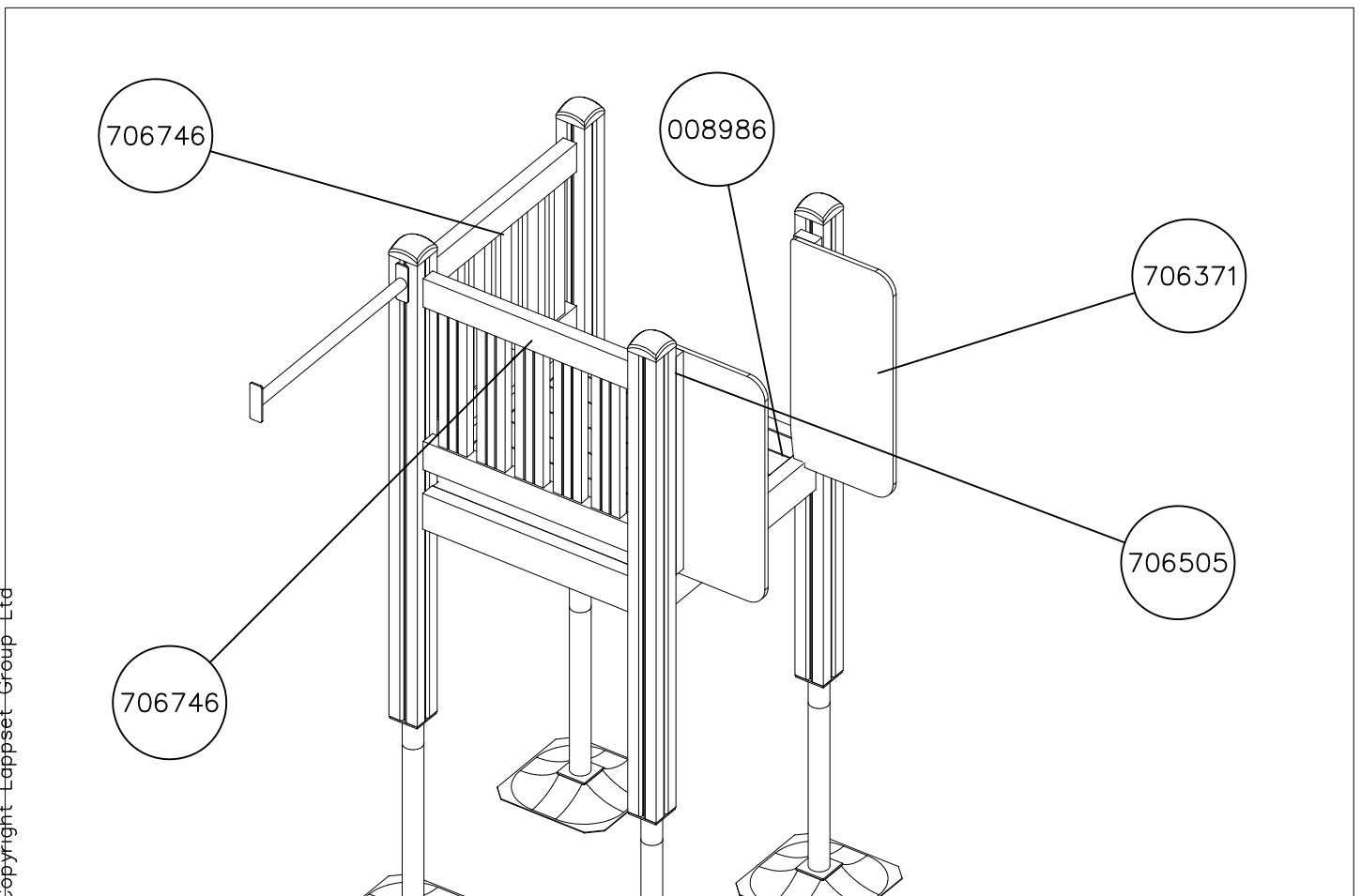
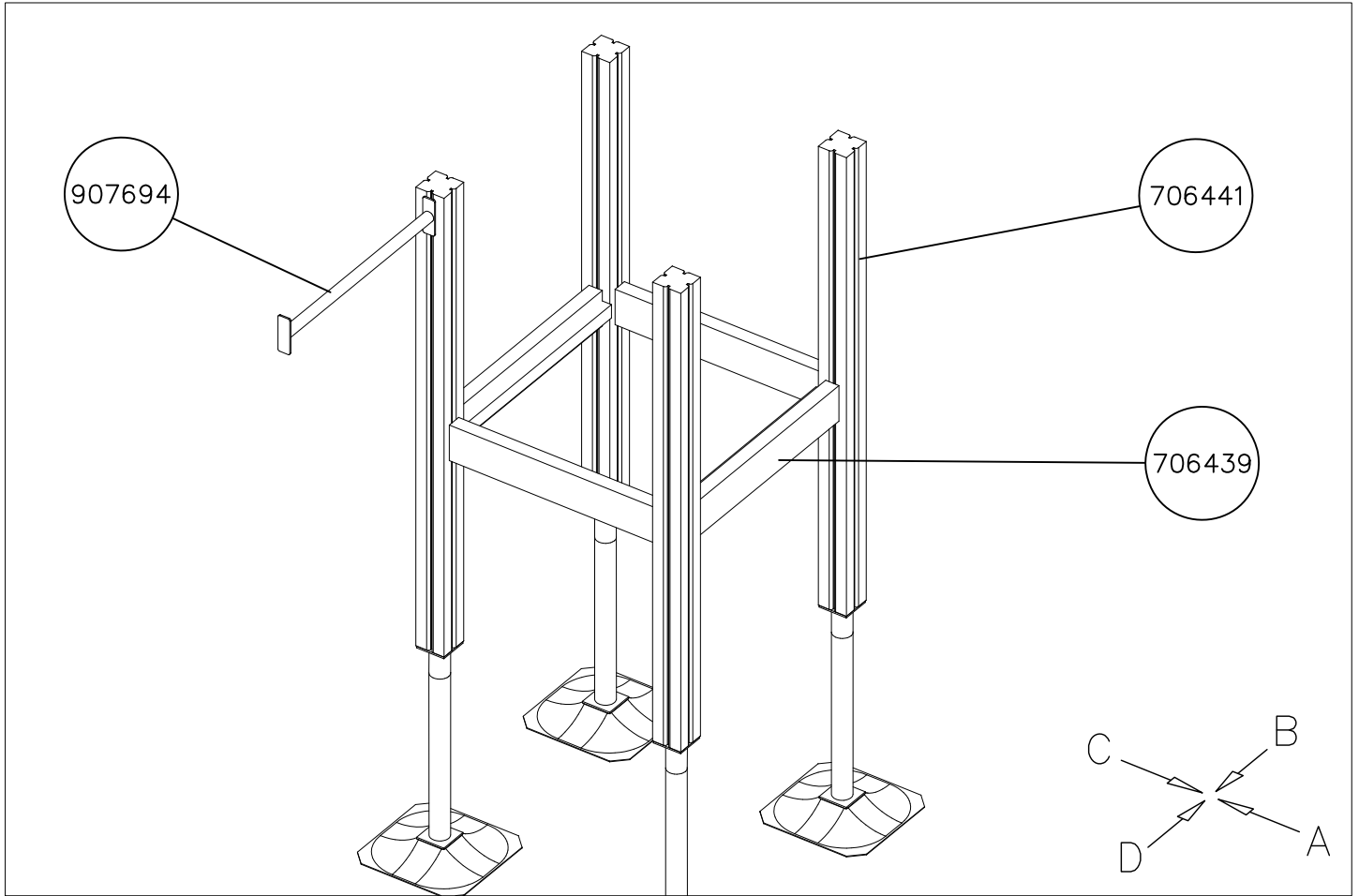
| | | |
|--|--|--|
| | | |
| | | |
| | | |
| | | |

— EN/AS Impact Area 31.1 m²
 - - - Falling Space 34 m²
 Max Falling Height 1920 mm





| | | | |
|--|--|---|--|
| <p>DET 1</p>  | <p>DET 2</p>  | <p>DET 3</p>  | <p>DET 4</p>  |
| <p>DET 5</p>  | <p>DET 5</p>  | | |
| | | | |
| | | | |
| | | | |

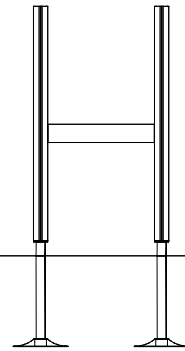
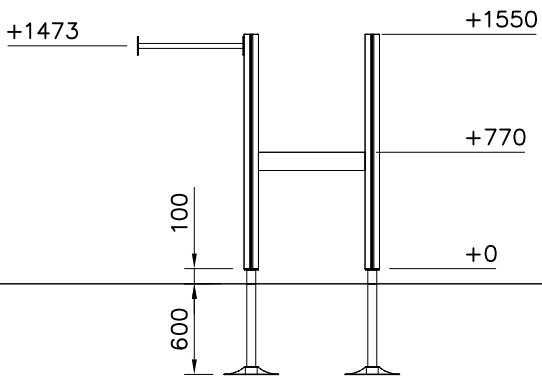


DATE: 9.10.2018

1:50

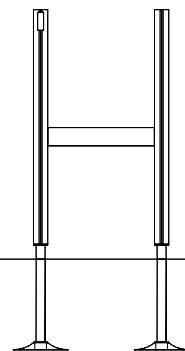
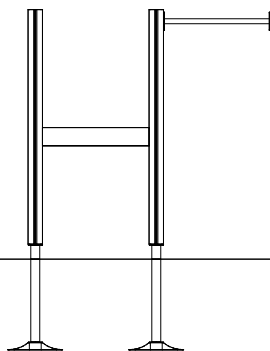
(A)

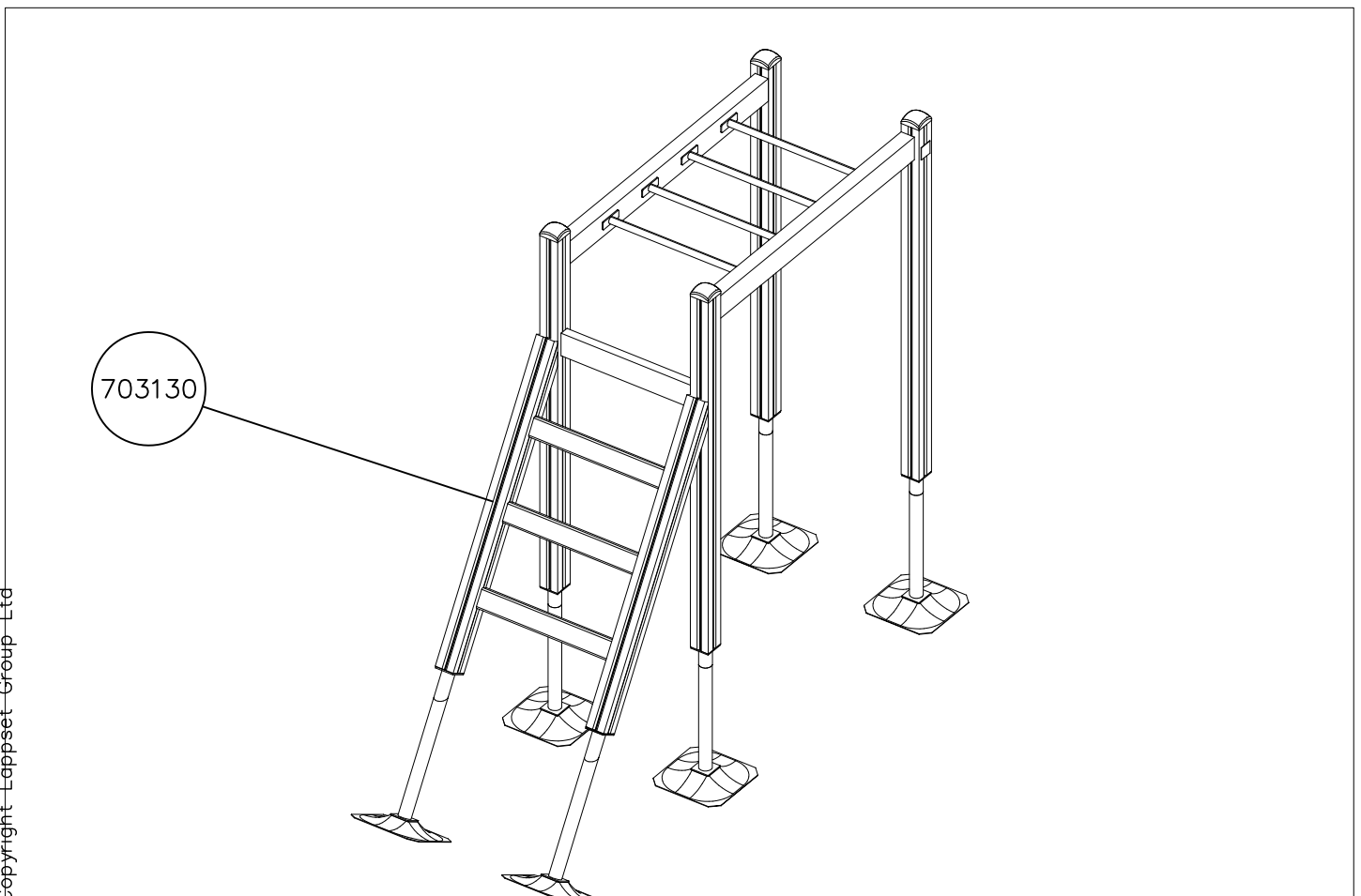
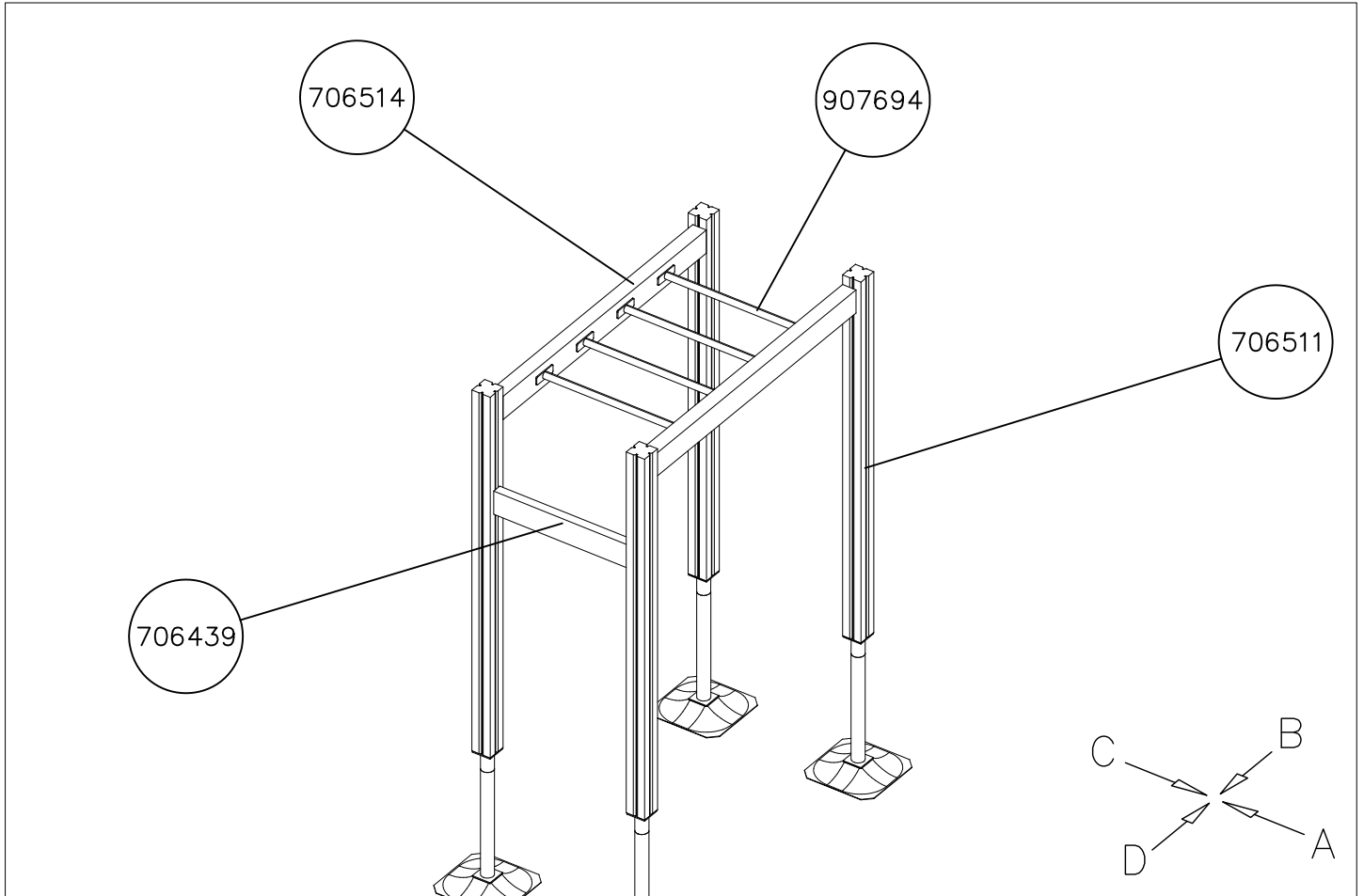
(B)



(C)

(D)



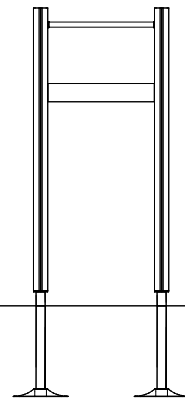
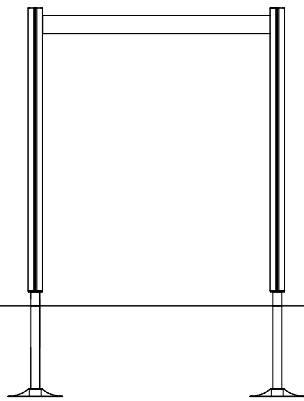


DATE: 9.10.2018

1:50

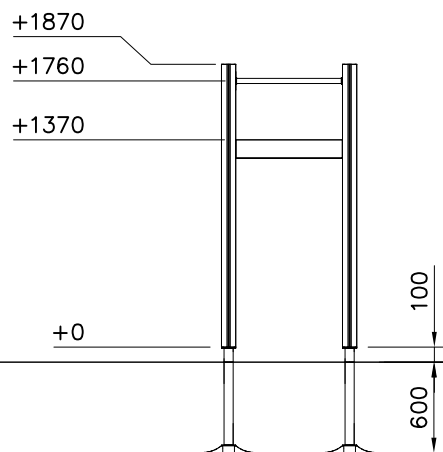
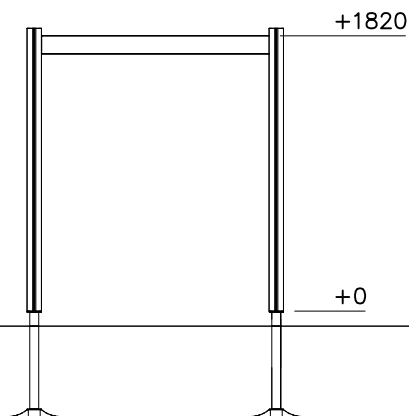
(A)

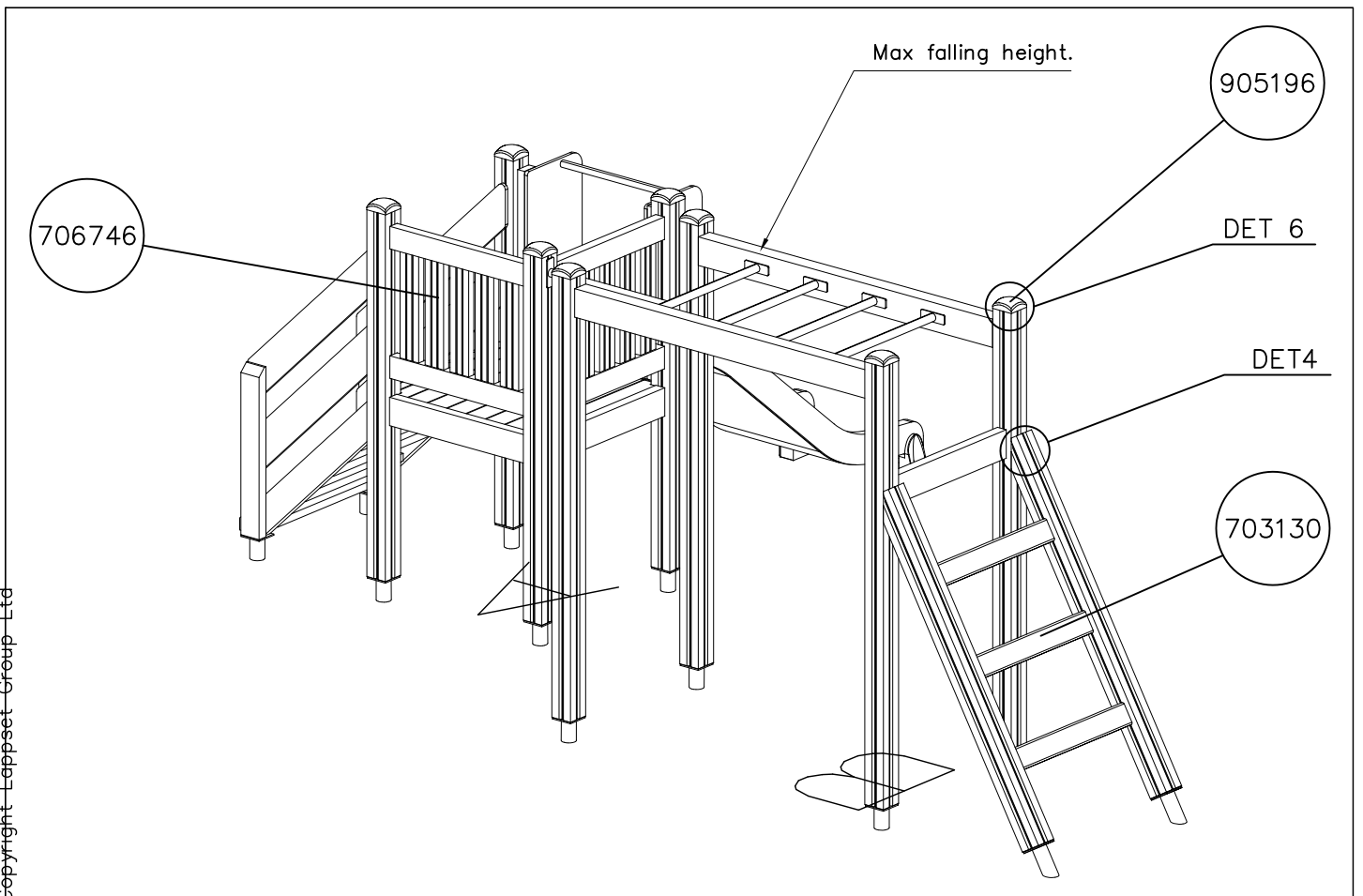
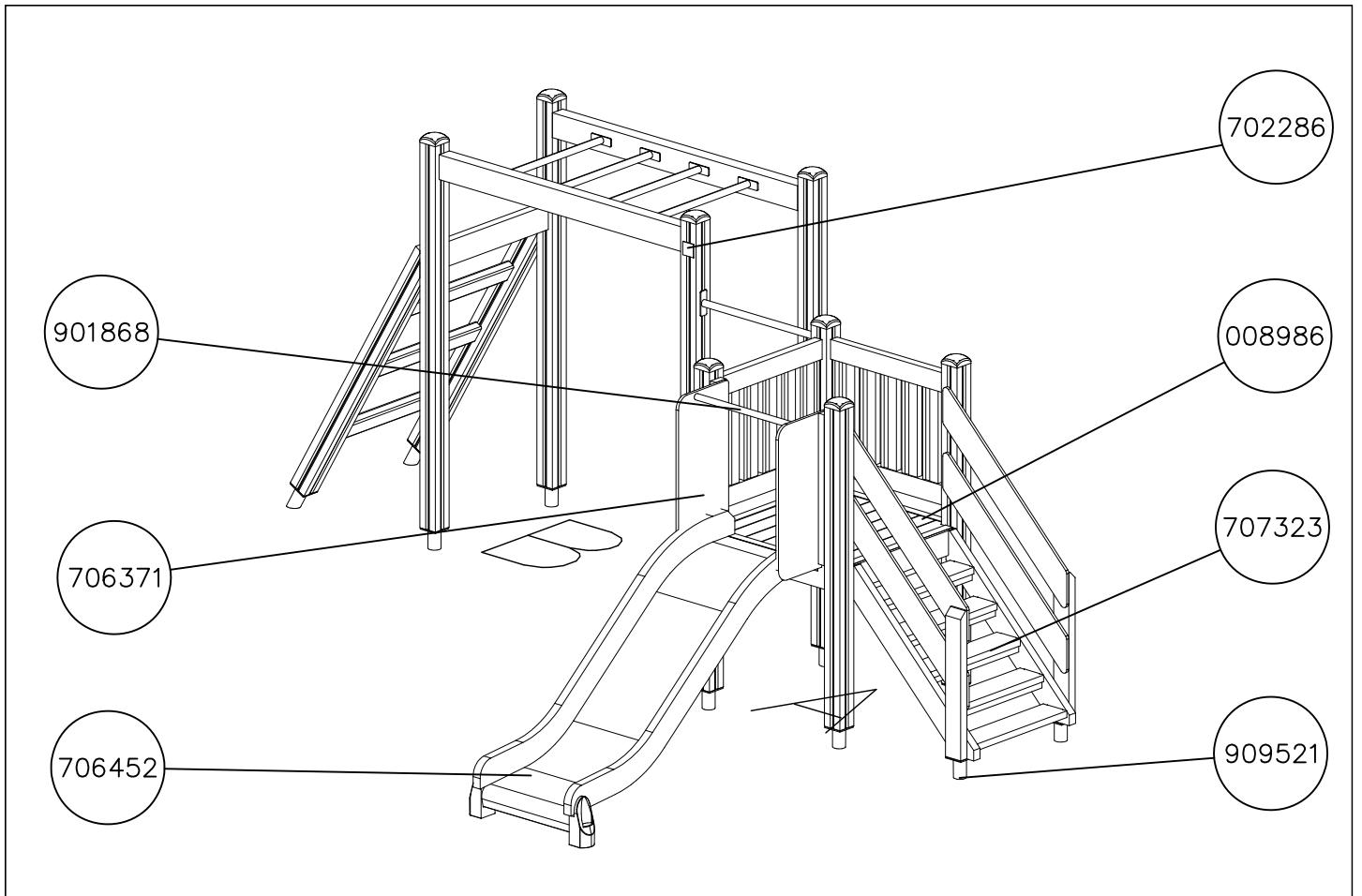
(B)

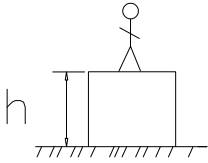



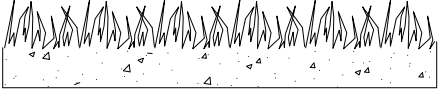
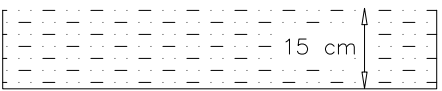
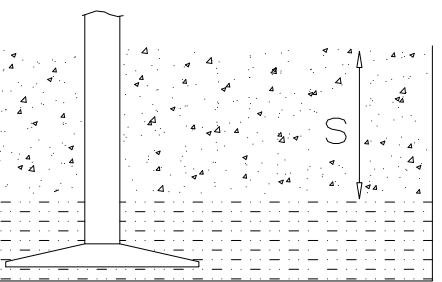
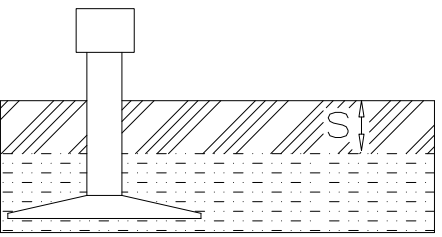


(C)

(D)





| | | | | | | | | | | | | | | | | | | | | | | | |
|---|---|---|----------|-----------------|-------|--|-------------|-------|--|-------------|-------|--|-------------|-------|--|-------------|--|-----------------|-----------------|-------|-----------|-------|-----------|
|  | | | | | | | | | | | | | | | | | | | | | | | |
| <p>$h < 600$</p> <p>Without movement and therefore without Impact Area</p> | <p>Totally hard surfaces.</p> <p>Note. Lappset does <u>not recommend</u> totally hard surfaces at all.</p> | <p>E.g. concrete or asphalt</p>  | | | | | | | | | | | | | | | | | | | | | |
| <p>$h < 600$</p> <p>With movement e.g. rocking</p> | <p>Materials with very limited impact attenuating properties.</p> | <p>E.g. wood</p>  | | | | | | | | | | | | | | | | | | | | | |
| <p>$h < 1000$</p> | <p>Materials with significant impact attenuating properties.</p> | <p>fine gravel 0–8 mm</p>  <p>grass</p>  <p>unsorted sand</p>  | | | | | | | | | | | | | | | | | | | | | |
| <p>$h < 3000$</p> | <p>Loose fill material</p> <p>E.g. sand/gravel 0,25...8 mm D60/D10<3,0 Woodchips 5...30 mm bark 20...80 mm</p> <p>Syntethic granulates</p> <table border="0"> <tr> <td>\underline{S}</td> <td>$\sim >$</td> <td>\underline{h}</td> </tr> <tr> <td>40 mm</td> <td></td> <td>1,2...1,3 m</td> </tr> <tr> <td>50 mm</td> <td></td> <td>1,5...1,7 m</td> </tr> <tr> <td>60 mm</td> <td></td> <td>1,8...2,0 m</td> </tr> <tr> <td>70 mm</td> <td></td> <td>2,1...2,5 m</td> </tr> </table> <p>Note. For accurate values, see manufacturer's instructions.</p> | \underline{S} | $\sim >$ | \underline{h} | 40 mm | | 1,2...1,3 m | 50 mm | | 1,5...1,7 m | 60 mm | | 1,8...2,0 m | 70 mm | | 2,1...2,5 m |  <table border="0"> <tr> <td>\underline{S}</td> <td>\underline{h}</td> </tr> <tr> <td>30 cm</td> <td>$< 2,0$ m</td> </tr> <tr> <td>40 cm</td> <td>$< 3,0$ m</td> </tr> </table>  | \underline{S} | \underline{h} | 30 cm | $< 2,0$ m | 40 cm | $< 3,0$ m |
| \underline{S} | $\sim >$ | \underline{h} | | | | | | | | | | | | | | | | | | | | | |
| 40 mm | | 1,2...1,3 m | | | | | | | | | | | | | | | | | | | | | |
| 50 mm | | 1,5...1,7 m | | | | | | | | | | | | | | | | | | | | | |
| 60 mm | | 1,8...2,0 m | | | | | | | | | | | | | | | | | | | | | |
| 70 mm | | 2,1...2,5 m | | | | | | | | | | | | | | | | | | | | | |
| \underline{S} | \underline{h} | | | | | | | | | | | | | | | | | | | | | | |
| 30 cm | $< 2,0$ m | | | | | | | | | | | | | | | | | | | | | | |
| 40 cm | $< 3,0$ m | | | | | | | | | | | | | | | | | | | | | | |

REMOVE SAFETY SURFACE/SAND/GRAVEL
TO CHECK FOUNDATION



REMOVE SAFETY SURFACE/SAND/GRAVEL
TO CHECK FOUNDATION



LAPPSET® DEEP FOUNDATION

FOOT

DATE: 15.5.2018

1(1)



| | | | | | |
|---|-----------|-----|---|------------|-----|
| ① | 909511 | PCS | ② | 909519 | PCS |
| | | 1 | | | 1 |
| | 90x90x650 | | | 50x380x380 | |

| | | | | | |
|---|--------|-----|---|----------|-----|
| ③ | 909637 | PCS | ④ | 909638 | PCS |
| | | 4 | | | 8 |
| | M10 | | | Ø20/10.5 | |

| | | | | | |
|---|--------|-----|---|--------|-----|
| ⑤ | 909639 | PCS | ⑥ | 905104 | PCS |
| | | 4 | | | 4 |
| | M10x25 | | | M10 | |

OPTION FOOT

| | | | | | |
|---|-----------|-----|--|--|-----|
| ① | 911155 | PCS | | | PCS |
| | | 1 | | | |
| | 90x90x650 | | | | |

LAPPSET

DEEP FOUNDATION

SLIDE WOOD

DATE: 22.5.2015

1(1)





SLIDE OPTIONS

| | | |
|---|---|--|
| <p>706450 +1470</p>  | <p>706450-602 DARK BROWN 706450-603 LIGHT BROWN 706450-604 LIGHT GRAY</p> | |
| <p>706452 +870</p>  | <p>706452-602 DARK BROWN 706452-603 LIGHT BROWN 706452-604 LIGHT GRAY</p> | |

WALL OPTIONS

| | | |
|---|--|---|
| <p>706371</p>  | <p>706371-701 BLUE 706371-702 YELLOW 706371-703 LIME 706371-704 DRARK GRAY 706371-705 LIGHT GRAY 706371-706 RED</p> | <p>706371-707 GREEN 706371-708 FUXIA</p> |
|---|--|---|

| | | | | | | | | | | | |
|--|-----|---|-----|---|-----|---|-----|--|-----|---|-----|
| ○ SLIDE | PCS | ○ SLIDE | PCS | ○ 706371 | PCS | ○ 706505 | PCS | ○ 901868 | PCS | ① 903093 | PCS |
|  | 1 |  | 1 |  | 2 |  | 2 |  | 1 |  | 2 |
| +1470 | | +870 | | 15x345x750 | | 35x70x730 | | Ø34x598 | | Ø8x90 | |
| ② 909876 | PCS | ③ 980100 | PCS | ④ 980128 | PCS | ⑤ 999561 | PCS | | | | |
|  | 2 |  | 12 |  | 11 |  | 1 | | | | |
| M8x40 | | Ø5x60 | | Ø7x40 | | 10g | | | | | |





LAPPSET

DEEP FOUNDATION

SLIDE WOOD

DATE: 3.11.2017

4(5)

| | | | | | | | | | | | |
|--|-----|---|-----|---|-----|---|-----|--|-----|---|-----|
| ○ 707133 | PCS | ○ 901868 | PCS | ○ 901879 | PCS | ⑥ 909210 | PCS | ⑦ 905051 | PCS | ⑧ 980128 | PCS |
|  | 1 |  | 2 |  | 2 |  | 4 |  | 4 |  | 6 |
| 10x80x745 | | Ø30x598 | | | | M8x40 | | Ø24/8.4 | | Ø7x40 | |



DET 6



Insert sheet metal IN to the plastic cover.



DET 7



DET 8





| | | | |
|---|-----|---|-----|
| ① 008986 | PCS | ② 706443 | PCS |
|  | 1 |  | 2 |
| 750x750 | | 32x45x702 | |
| ③ 900240 | PCS | ④ 980101 | PCS |
|  | 6 |  | 8 |
| Ø8x70 | | Ø4.5x70 | |
| | PCS | | PCS |
| | | | |
| | PCS | | PCS |
| | | | |
| | PCS | | PCS |
| | | | |

DET 1

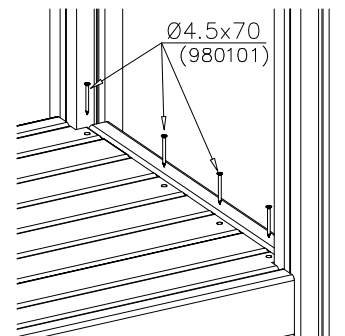


DET 2

Naulanauha kannatinlistan puolelle.
Nail list to the bottom.



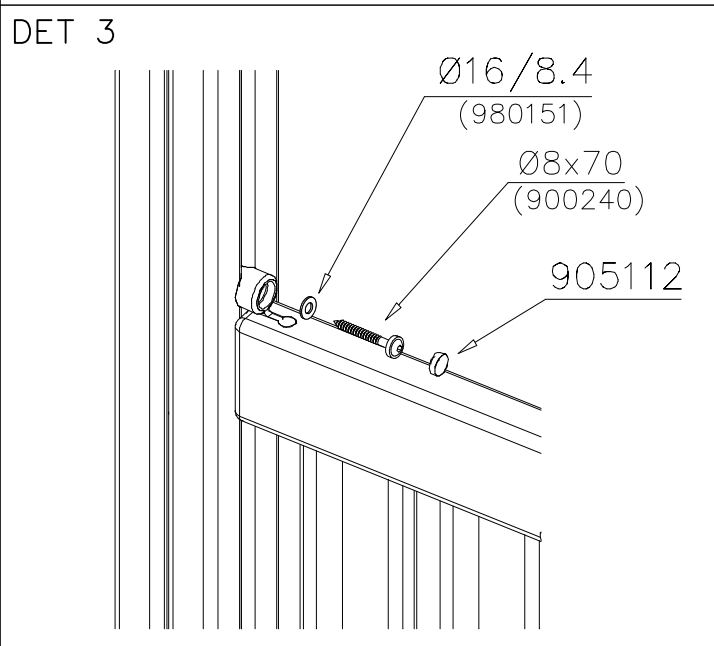
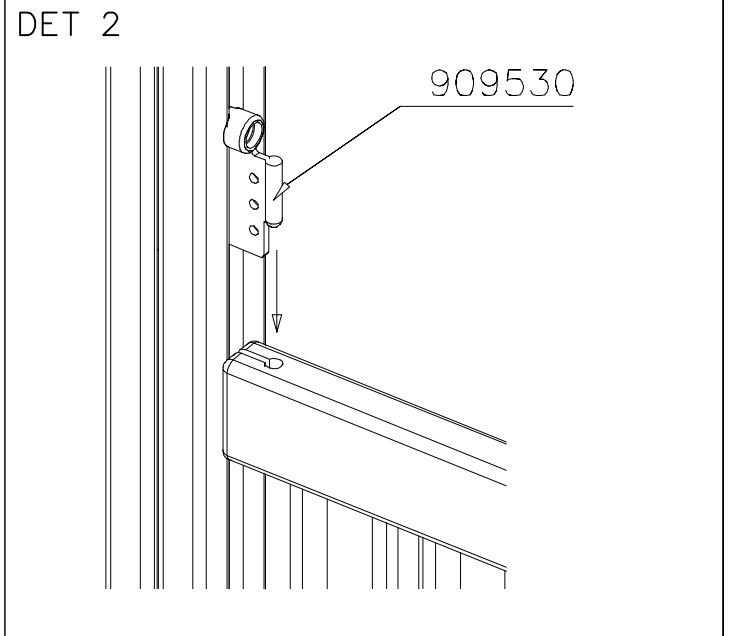
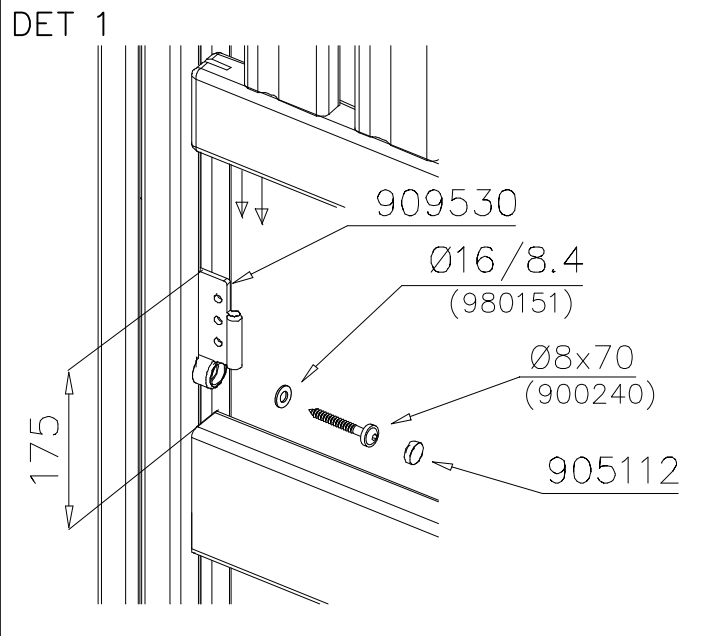
DET 3

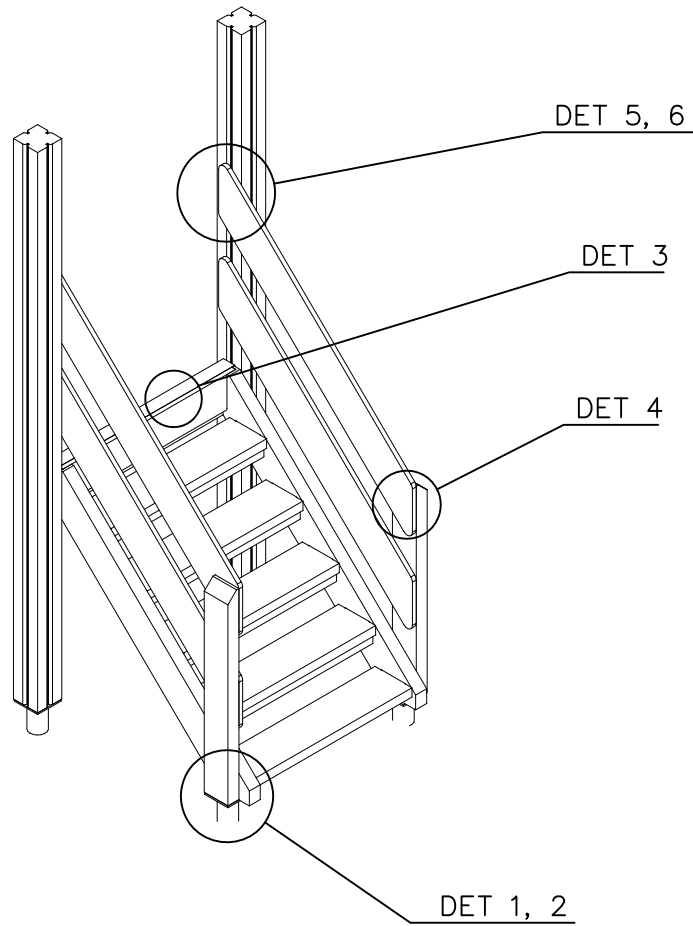


| | | | |
|------------|-----|-------------|-----|
| ① 706746 | PCS | ② 909530 | PCS |
| | 1 | | 4 |
| 45x640x701 | | 55.9x127.5 | |
| ③ 900240 | PCS | ④ 980151 | PCS |
| | 4 | | 4 |
| Ø8x70 | | Ø16/8.4x1.6 | |
| ⑤ 905112 | PCS | | PCS |
| | 4 | | |
| Ø22 | | | |
| | PCS | | PCS |



| WALL OPTIONS | | |
|--------------------------|------------|-----------|
| 706746 45x640x701 | 706746-605 | DARK GRAY |
| | 706746-606 | GRAY |
| | 706746-607 | RED |
| | 706746-608 | BLUE |
| | 706746-609 | GREEN |
| | 706746-610 | YELLOW |
| | 706746-611 | LIME |
| | 706746-612 | FUXIA |





DET 1



DET 2



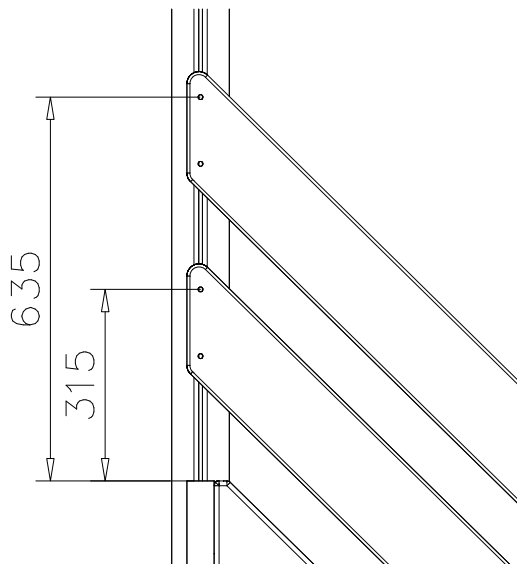
DET 3



DET 4

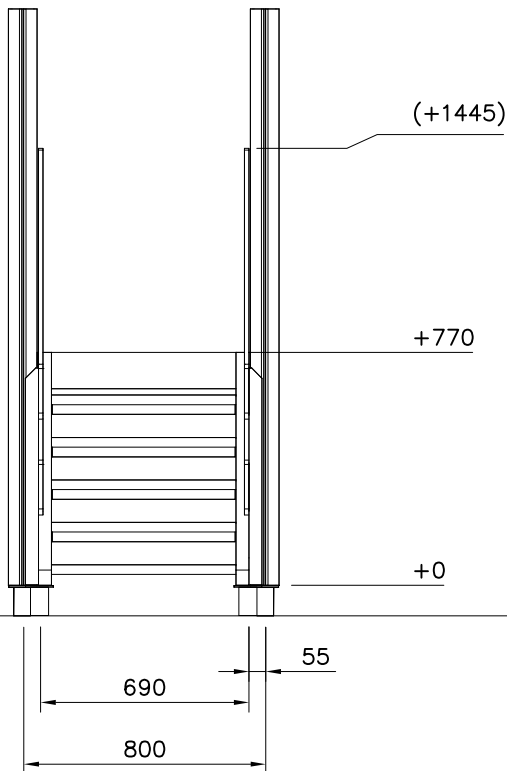


DET 5



DET 6





STAIRS OPTIONS +870

| | | |
|---|--|--|
| 707191  | 707191-602 DARK BROWN 707191-603 LIGHT BROWN 707191-604 LIGHT GRAY | |
|---|--|--|

RAILING OPTIONS

| | | |
|---|--|--------------------------------------|
| RAILS 707146  15x145x1153 | 707146-701 BLUE 707146-702 YELLOW 707146-703 LIME 707146-704 DARK GRAY 707146-705 LIGHT GRAY 707146-706 RED | 707146-707 GREEN 707146-708 FUXIA |
|---|--|--------------------------------------|

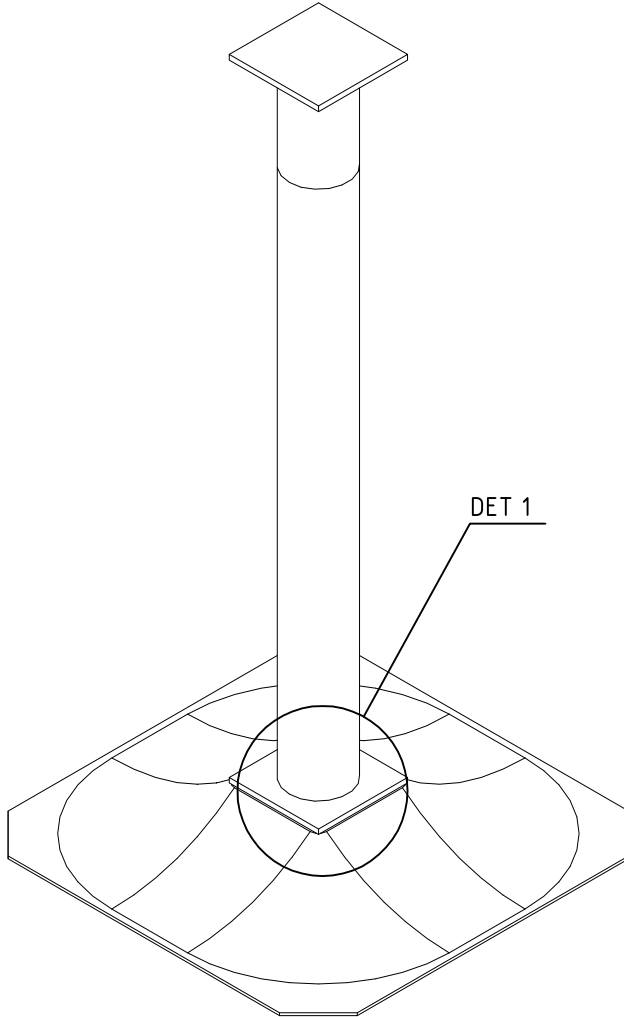
| | | |
|---|--|--|
| POST 707145  43x93x717 | 707145-602 DARK BROWN 707145-603 LIGHT BROWN 707145-604 LIGHT GRAY | |
|---|--|--|


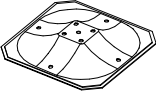


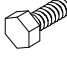
POST OPTIONS

| | | |
|--|--|--|
| | | |
|--|--|--|

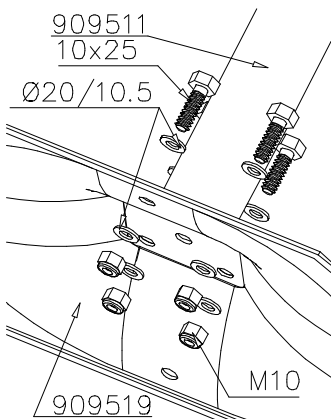
| | | |
|--|--|--|
| | | |
|--|--|--|

| | | | | | | | | | | | |
|--|----------|--|-----------|--|----------|---|----------|--|----------|---|----------|
| ① 707191  +870 | PCS 1 | ② 707145  43x93x717 | PCS 2 | ③ 707146  15x145x1153 | PCS 4 | ④ 900859  M8x90 | PCS 2 | ⑤ 905104  M10 | PCS 4 | ⑥ 909633  M8 | PCS 2 |
| ⑦ 980123  Ø7x60 | PCS 8 | ⑧ 980128  Ø7x40 | PCS 15 | ⑨ 980152  Ø24/8.4x2 | PCS 2 | | PCS | | PCS | | PCS |



| | | | | | |
|---|---|-----|---|---|-----|
| ① | 909511 | PCS | ② | 909519 | PCS |
| |  | 1 | |  | 1 |
| ③ | 909637 | PCS | ④ | 909638 | PCS |
| |  | 4 | |  | 8 |
| | M10 | | | Ø20/10.5 | |
| ⑤ | 909639 | PCS | | | PCS |
| |  | 4 | | | |
| | M10x25 | | | | |
| | | PCS | | | PCS |
| | | | | | |
| | | PCS | | | PCS |
| | | | | | |
| | | PCS | | | PCS |
| | | | | | |
| | | PCS | | | PCS |
| | | | | | |
| | | PCS | | | PCS |
| | | | | | |

DET 1





LAPPSET®
BETON FOUNDATION

FOOT

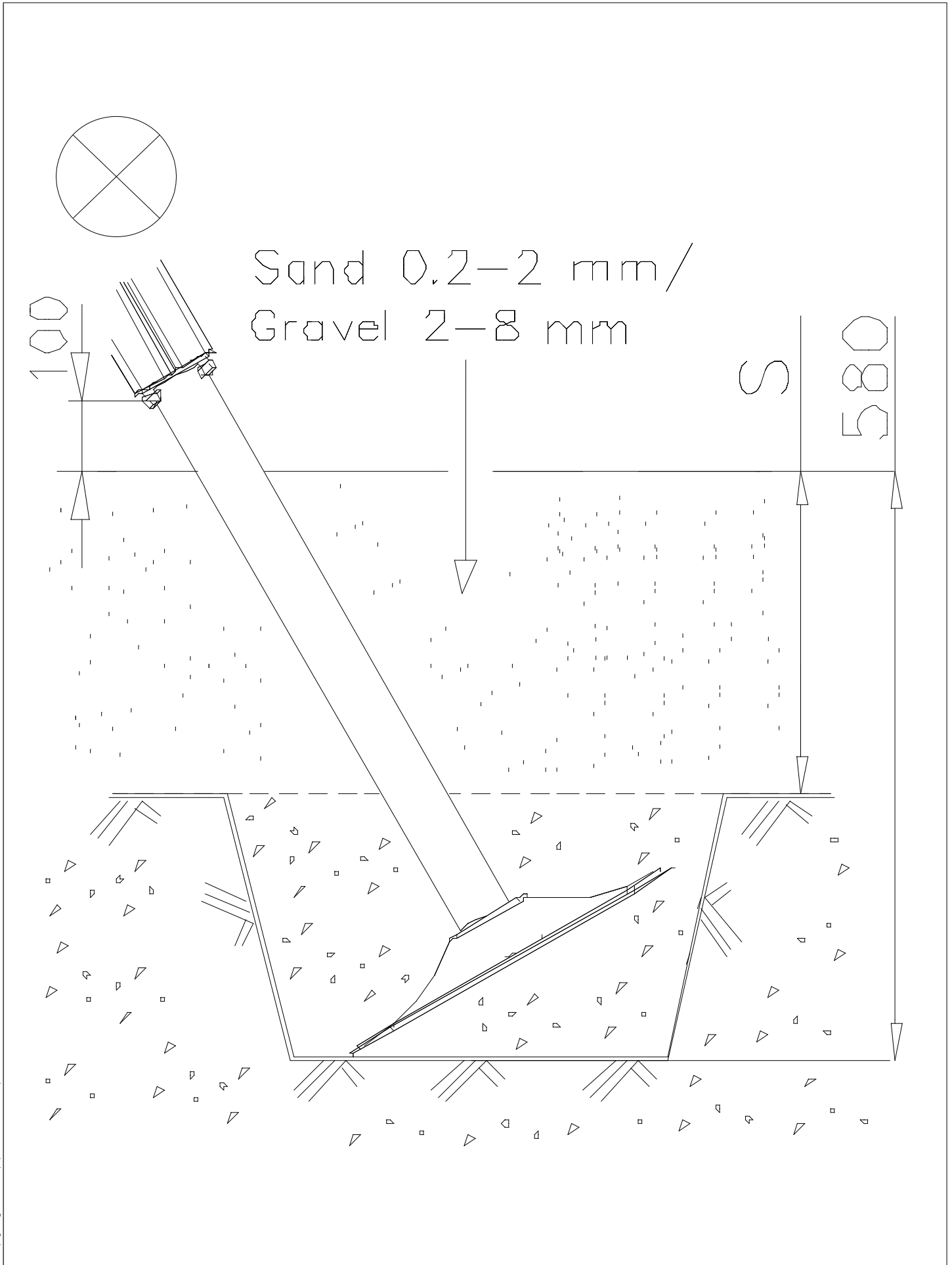
DATE: 27.10.2015

1(1)

| | | | |
|--|-----|--|-----|
| ② 905104 | PCS | | PCS |
| | 4 | | |
|  M10 | PCS | | PCS |
| | | | |



905104





Tuotekyltti tulee tuotteen mukana yhdellä seuraavista tavoista:

1) Metallinen tuotekyltti ja kiinnitysruuvit

- Kiinnitä tuotekyltti ruuveilla tolppaan noin 2 metrin korkeuteen kuvan 1 mukaisesti.

2) Tuotekylttitarra

- Puhdista maalattu metalli- tai vaneripinta pölystä ja kosteudesta. Liimaa tarra kuvan 2 mukaisesti.
- Huom. Älä kiinnitä tarraa karheapintaiseen laminaattiin tai maalattuun puuhun.

Vår produktmärkning levereras på ett av följande sätt:

1) Produktskylt i metall

- Fäst skylten med de medföljande skruvarna

2) Självhäftande produktetikett

- Rengör den pulverlackerade metallytan eller laminatyten så att den blir fri från smuts och fukt. Fäst etiketten enligt fig. 2.
- Obs! Fäst ej etiketten på detaljer med skrovlig yta eller på målat trä.

Product label is delivered by one of following ways:

1) Metal product label and screws

- Fasten the label with screws.

2) Label sticker

- Clean the painted metal or plywood surface from dirt and moisture. Fasten the sticker as shown in the figure 2.
- Note. Do not attach the sticker to rough surfaced laminate or painted wood.

La plaque d'informations produit est livrée sous l'une de ces 3 formes :

1) Plaque métallique et vis

- Fixez la plaque à l'aide des vis.

2) Etiquette autocollante

- Avant de coller l'étiquette, nettoyez le composant métallique peint ou la plaque de contreplaqué, de toute saleté. La surface doit être sèche (voir image 2).
- Attention, ne pas coller l'étiquette sur une surface lamellé-collée irrégulière ou sur du bois peint.

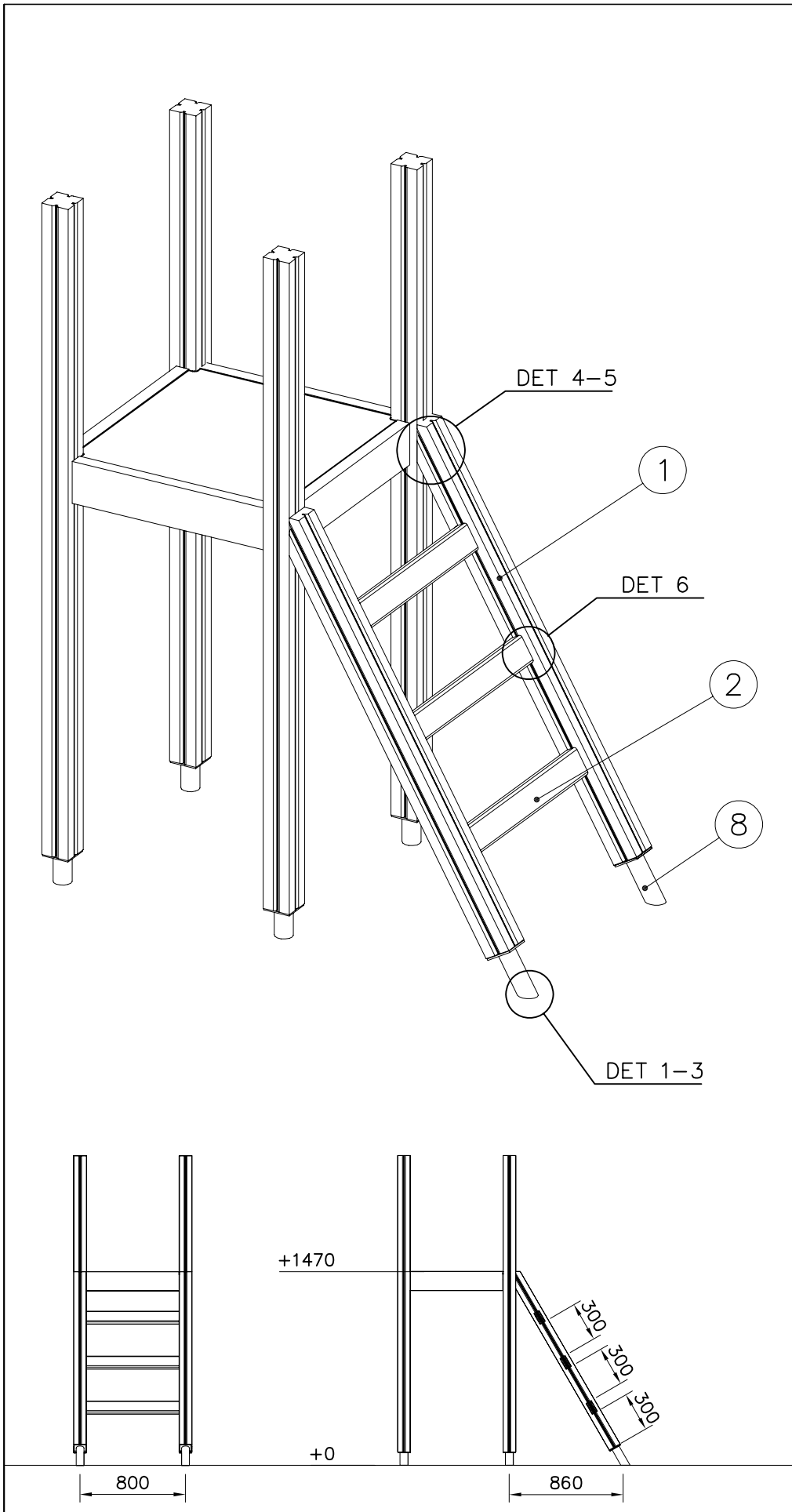
Die Auslieferung des Produktaufklebers erfolgt auf eine dieser Arten:

1) Produkt-Schild aus Metall incl. Schrauben

- Die Befestigung des Schildes erfolgt mittels der Schrauben.

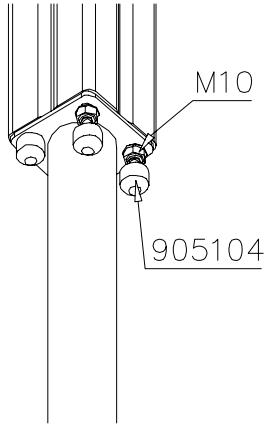
2) Aufkleber

- Entfernen Sie zunächst Schmutz und Feuchtigkeit vom lackierten Metall bzw. von der Holzoberfläche und bringen Sie den Aufkleber wie im Bild oben rechts beschrieben auf den gesäuberten Untergrund auf.
- Beachten Sie: Bringen Sie den Aufkleber nicht auf raues laminiertes oder lackiertes Holz an.

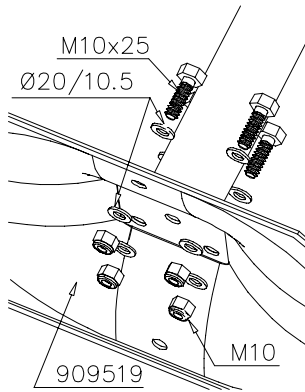


| | | | |
|------------|-----|-----------|-----|
| ① 703325 | PCS | ② 703338 | PCS |
| | 2 | | 3 |
| 95x95x1530 | | 45x95x724 | |
| ③ 905051 | PCS | ④ 905104 | PCS |
| | 16 | | 8 |
| ∅24/8.4 | | M10 | |
| ⑤ 909231 | PCS | ⑥ 909233 | PCS |
| | 2 | | 2 |
| 8x130 | | 8x100 | |
| ⑦ 909238 | PCS | ⑧ 909511 | PCS |
| | 12 | | 2 |
| 8x90 | | 90x90x650 | |
| ⑨ 909519 | PCS | ⑩ 909637 | PCS |
| | 2 | | 8 |
| 50x380x380 | | M10 | |
| ⑪ 909638 | PCS | ⑫ 909639 | PCS |
| | 16 | | 8 |
| ∅20/10,5 | | M10x25 | |
| | PCS | | PCS |
| | | | |
| | PCS | | PCS |
| | | | |

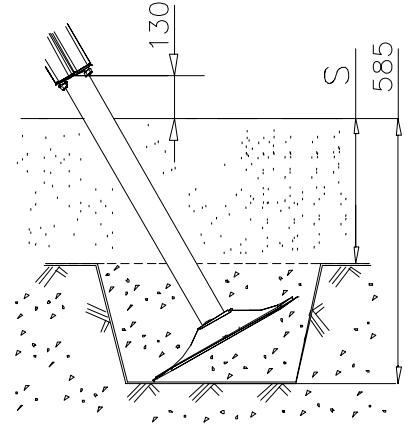
DET 1



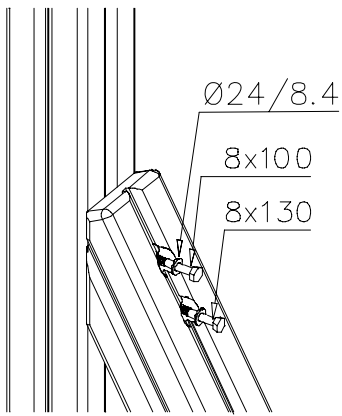
DET 2



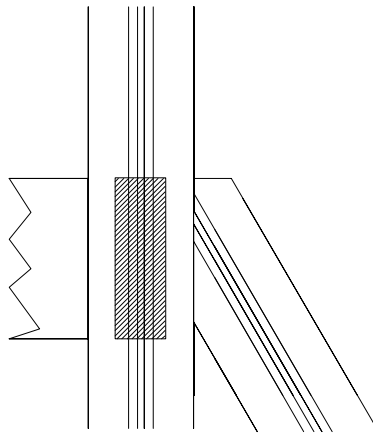
DET 3



DET 4



DET 5



DET 6

