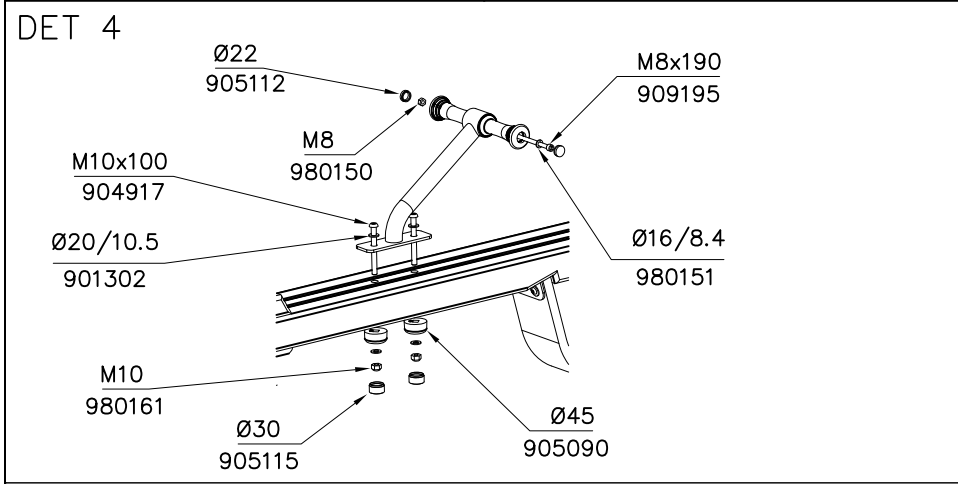
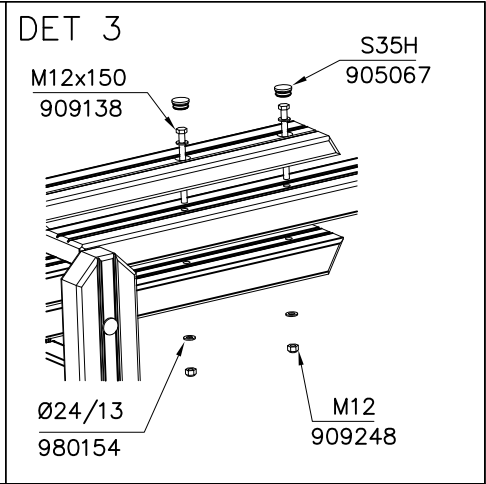
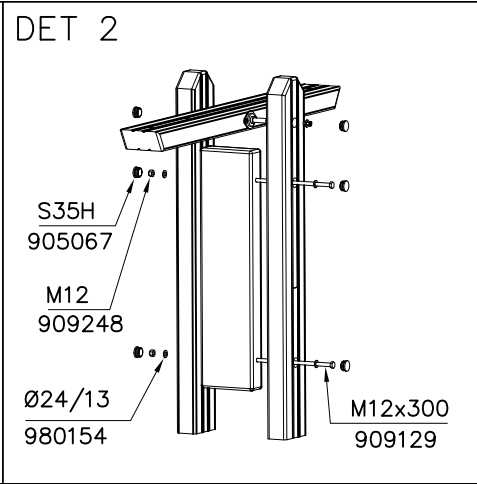
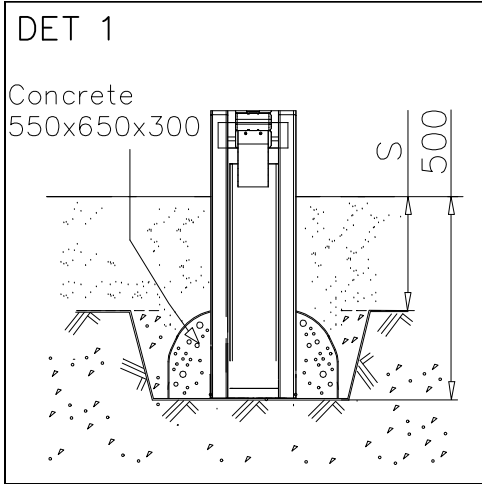
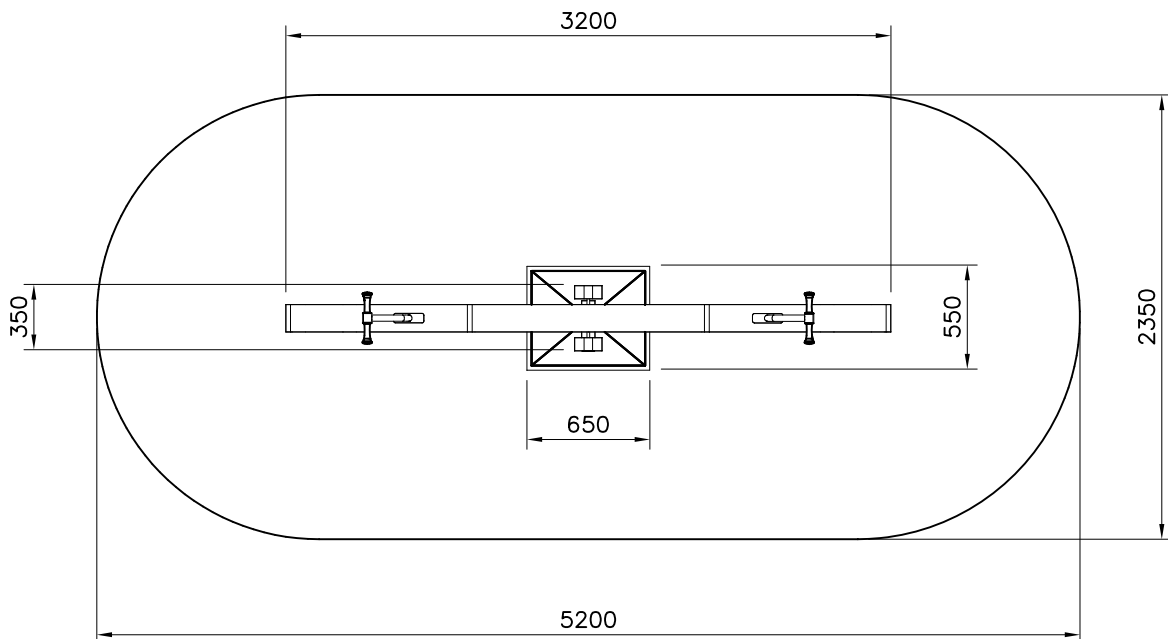


① 703190	PCS	② 703196	PCS						
	1		1						
		70x195x800							
③ 703195	PCS	④ 703194	PCS						
	2		1						
L 1600		L 1280							
⑤ 910364	PCS	⑥ 909129	PCS						
	2		2						
		M12x300							
⑦ 909138	PCS	⑧ 904917	PCS						
	4		4						
M12x150		M10x100							
⑨ 905090	PCS	⑩ 905067	PCS						
	4		10						
Ø45		S35H							
⑪ 905115	PCS	⑫ 980154	PCS						
	4		12						
Ø30		Ø24/13							
⑬ 909248	PCS	⑭ 980161	PCS	⑮ 901302	PCS	⑯ 905112	PCS	⑰ 905023	PCS
	6		4		8		4		4
M12		M10		Ø20/10.5		Ø22		Ø50x126	
⑱ 909195	PCS	⑲ 980151	PCS	⑳ 980150	PCS	㉑ 702286	PCS	㉒ 909506	PCS
	2		2		2		1		4
M8x190		Ø16/8.4		M8		90x50		Ø3.5x13	22

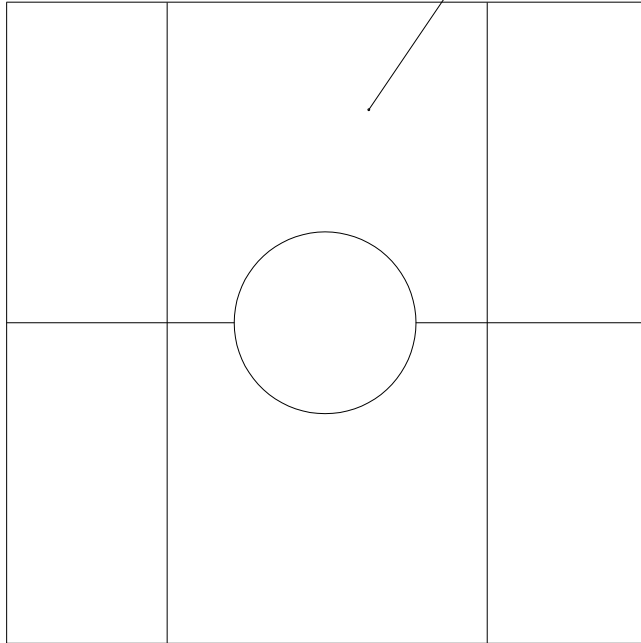


— EN Impact Area 11 m²
 - - - Falling Space 11 m²
 Max Falling Height 1200 mm



												
<p>$h < 600$</p> <p>Without movement and therefore without Impact Area</p>	<p>Totally hard surfaces.</p> <p>Note. Lappset does <u>not recommend</u> totally hard surfaces at all.</p>	<p>E.g. concrete or asphalt</p> 										
<p>$h < 600$</p> <p>With movement e.g. rocking</p>	<p>Materials with very limited impact attenuating properties.</p>	<p>E.g. wood</p> 										
<p>$h < 1000$</p>	<p>Materials with significant impact attenuating properties.</p>	<p>fine gravel 0–8 mm</p>  <p>grass</p>  <p>unsorted sand</p> 										
<p>$h < 3000$</p>	<p>Loose fill material</p> <p>E.g. sand/gravel 0,25...8 mm D60/D10<3,0 Woodchips 5...30 mm bark 20...80 mm</p>	 <table data-bbox="1021 1691 1332 1792"> <tr> <td>\underline{S}</td> <td>\underline{h}</td> </tr> <tr> <td>30 cm</td> <td>< 2,0 m</td> </tr> <tr> <td>40 cm</td> <td>< 3,0 m</td> </tr> </table>	\underline{S}	\underline{h}	30 cm	< 2,0 m	40 cm	< 3,0 m				
\underline{S}	\underline{h}											
30 cm	< 2,0 m											
40 cm	< 3,0 m											
	<p>Syntethic granulates</p> <table data-bbox="406 1892 758 2060"> <tr> <td>\underline{S}</td> <td>\underline{h}</td> </tr> <tr> <td>40 mm</td> <td>~> 1,2...1,3 m</td> </tr> <tr> <td>50 mm</td> <td>~> 1,5...1,7 m</td> </tr> <tr> <td>60 mm</td> <td>~> 1,8...2,0 m</td> </tr> <tr> <td>70 mm</td> <td>~> 2,1...2,5 m</td> </tr> </table> <p>Note. For accurate values, see manufacturer's instructions.</p>	\underline{S}	\underline{h}	40 mm	~> 1,2...1,3 m	50 mm	~> 1,5...1,7 m	60 mm	~> 1,8...2,0 m	70 mm	~> 2,1...2,5 m	
\underline{S}	\underline{h}											
40 mm	~> 1,2...1,3 m											
50 mm	~> 1,5...1,7 m											
60 mm	~> 1,8...2,0 m											
70 mm	~> 2,1...2,5 m											

REMOVE SAFETY SURFACE/SAND/GRAVEL
TO CHECK FOUNDATION



REMOVE SAFETY SURFACE/SAND/GRAVEL
TO CHECK FOUNDATION

