

LAPPSET®

FINNO

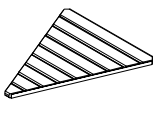
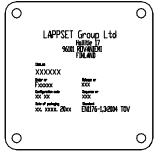
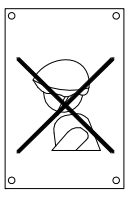

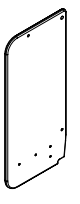
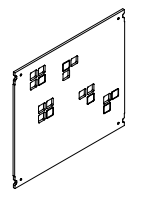
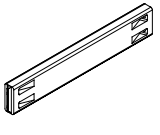
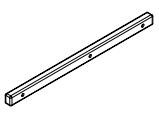
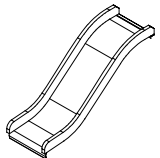

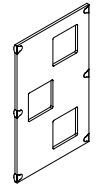
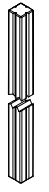
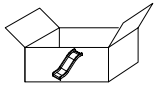
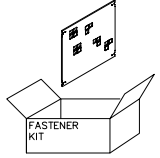
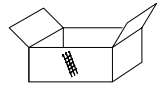
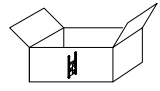
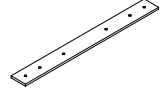
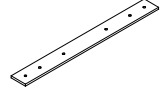

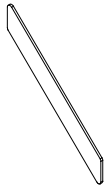

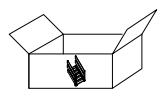
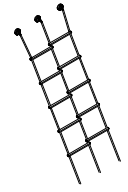
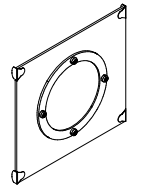
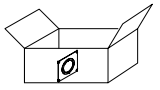
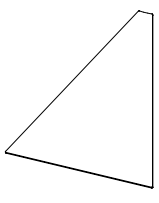
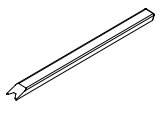
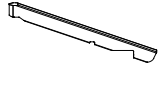
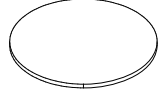
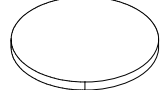
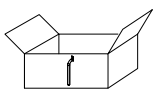
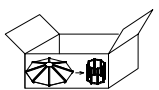
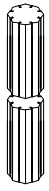
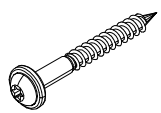
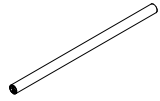
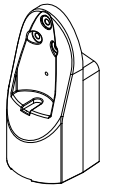
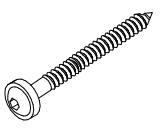

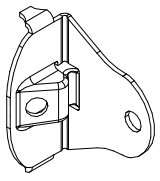
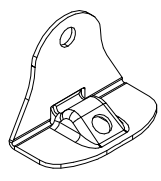
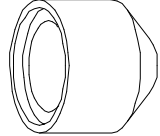
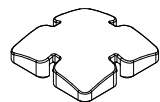
ASENNUSOHJE
MONTERINGSANSVISNING
INSTALLATION INSTRUCTION
AUFBAUANLEITUNG
NOTICE D'INSTALLATION

DATE: 27.5.2020

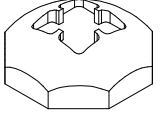

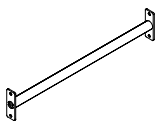

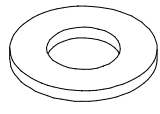

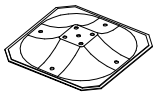
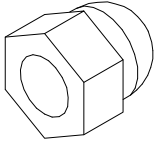


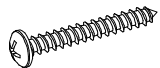


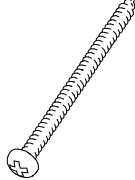


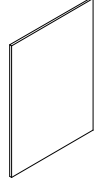
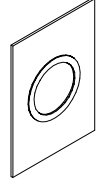

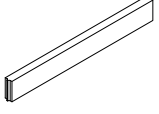

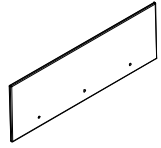
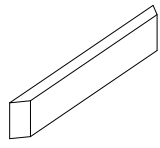
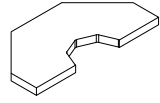
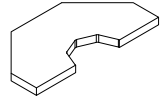
Q10275



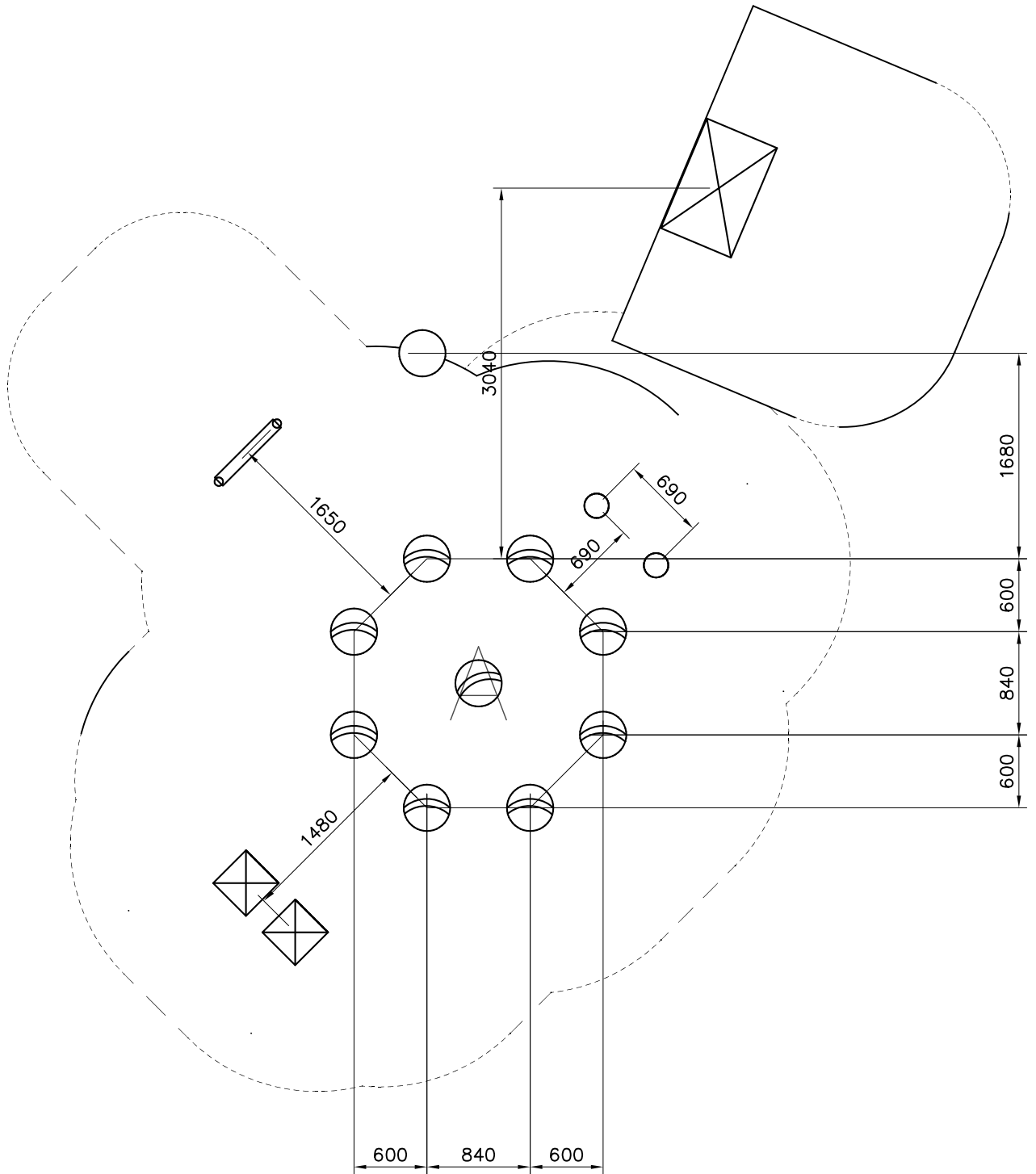
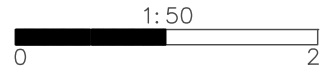
DATE: 12.5.2020

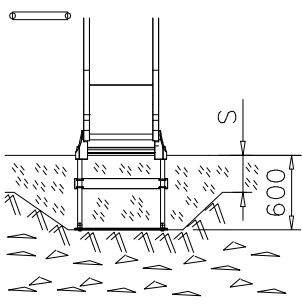
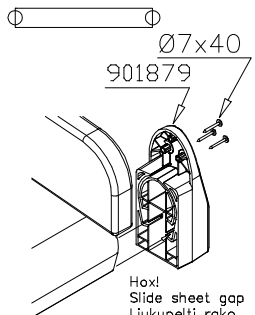
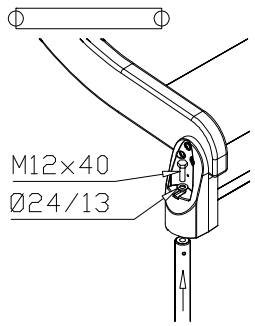
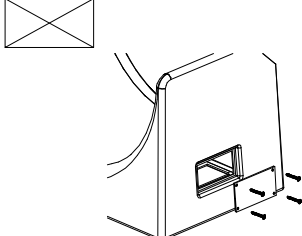
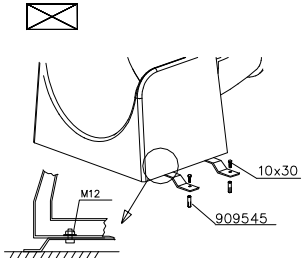
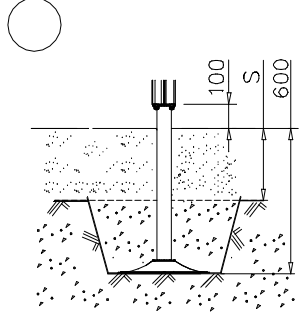
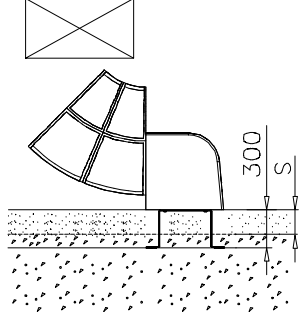
| | | | | | | | | | | | |
|--|------------|--|-----------|---|----------|--|------------|---|-----------|---|----------|
| 700400  | PCS 16 | 702286  LAPPSET Group Ltd FINNO 65x65 | PCS 1 | 702339  118x78 | PCS 1 | 702743  757x321x15 | PCS 2 | 706371-705  15x345x750 | PCS 2 | 706436-705  10x640x702 | PCS 5 |
| 706439-604  L 704 | PCS 39 | 706443  32x45x702 | PCS 16 | 706452-604  600x780x1470 | PCS 1 | 706505  35x70x730 | PCS 2 | 706507-705  10x640x702 | PCS 1 | 706527-604  93x93x1600 | PCS 1 |
| 706531  | PCS 3 | 706533  FASTENER KIT | PCS 1 | 706534  | PCS 5 | 706536  | PCS 1 | 706558  | PCS 1 | 707133  10x80x745 | PCS 1 |
| 707145  43x93x717 | PCS 2 | 707146-705  15x145x1153 | PCS 4 | 707191-604  +870 | PCS 1 | 707224  | PCS 1 | 707393-301  +1970 | PCS 1 | 707453-706  10x640x702 | PCS 1 |
| 707454  | PCS 1 | 707667-706  10x1295x1075 | PCS 8 | 707688-604  45x70x1385 | PCS 8 | 707689-604  45x145x1495 | PCS 8 | 707691  15xØ480 | PCS 2 | 707692  15xØ225 | PCS 2 |
| 707732  | PCS 5 | 707792  | PCS 2 | 707825-604  140x140x3625 | PCS 9 | 900240  Ø8x70 | PCS 182 | 901868  Ø34x598 | PCS 3 | 901879  | PCS 2 |
| 903093  Ø8x90 | PCS 300 | 903112  l=750 | PCS 9 | 903176  | PCS 4 | 903215  | PCS 2 | 905104  M10 | PCS 72 | 905139  BLACK | PCS 1 |

DATE: 12.5.2020

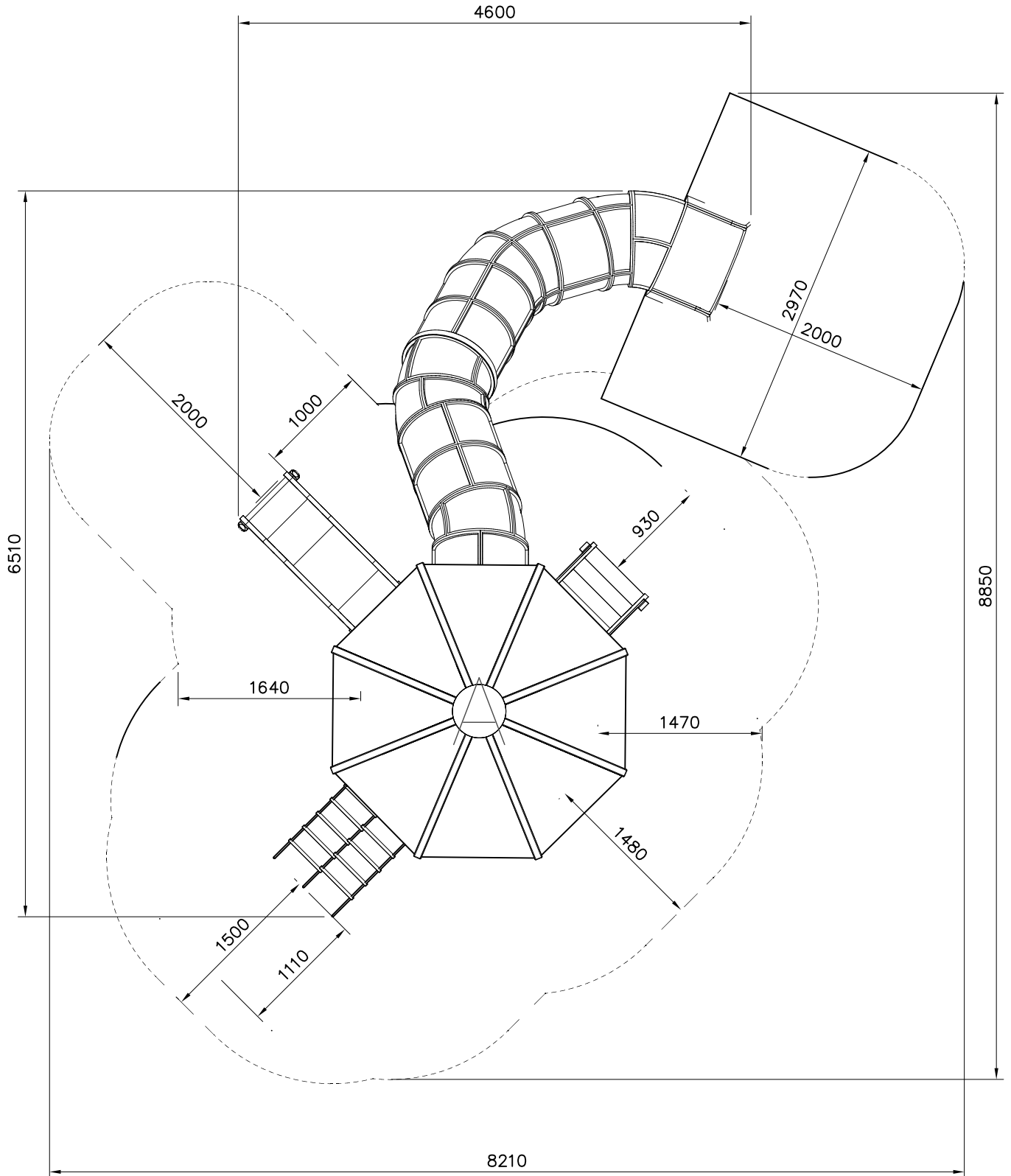
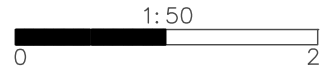
| | | | | | | | | | | | |
|--|-----------|---|-----------|---|-----------|---|------------|---|----------|---|----------|
| 905197  BLACK | PCS 1 | 907688-216  | PCS 1 | 907694-216  | PCS 1 | 907701-216  | PCS 4 | 909256  | PCS 6 | 909511  | PCS 3 |
| | | | | L 704 | | | | Ø16/8.4 | | 90x90x650 | |
| 909519  | PCS 5 | 909633  | PCS 6 | 909850  | PCS 6 | 980101  | PCS 128 | 980114  | PCS 8 | 980123  | PCS 4 |
| 50x380x380 | | M8 | | M8x25 | | Ø4.5x70 | | Ø4x20 | | Ø7x60 | |
| 980128  | PCS 86 | 980131  | PCS 4 | A10023  | PCS 1 | P02477  | PCS 8 | P03776  | PCS 1 | P03783  | PCS 2 |
| Ø7x40 | | 6x60 | |  | | 32x95x1100 | | 700x975 | | 700x975 | |
| P08080  | PCS 7 | P10068  | PCS 36 | P10089  | PCS 32 | P13660  | PCS 8 | P13854  | PCS 2 | P00110  | PCS 3 |
| 700x975 | | 45x120x970 | | 32x45x750 | | 10x230x700 | | 45x120x778 | | 20x225x450 | |
| | PCS | | PCS | | PCS | | PCS | | PCS | | PCS |
| | | | | | | | | | | | |
| | PCS | | PCS | | PCS | | PCS | | PCS | | PCS |
| | | | | | | | | | | | |

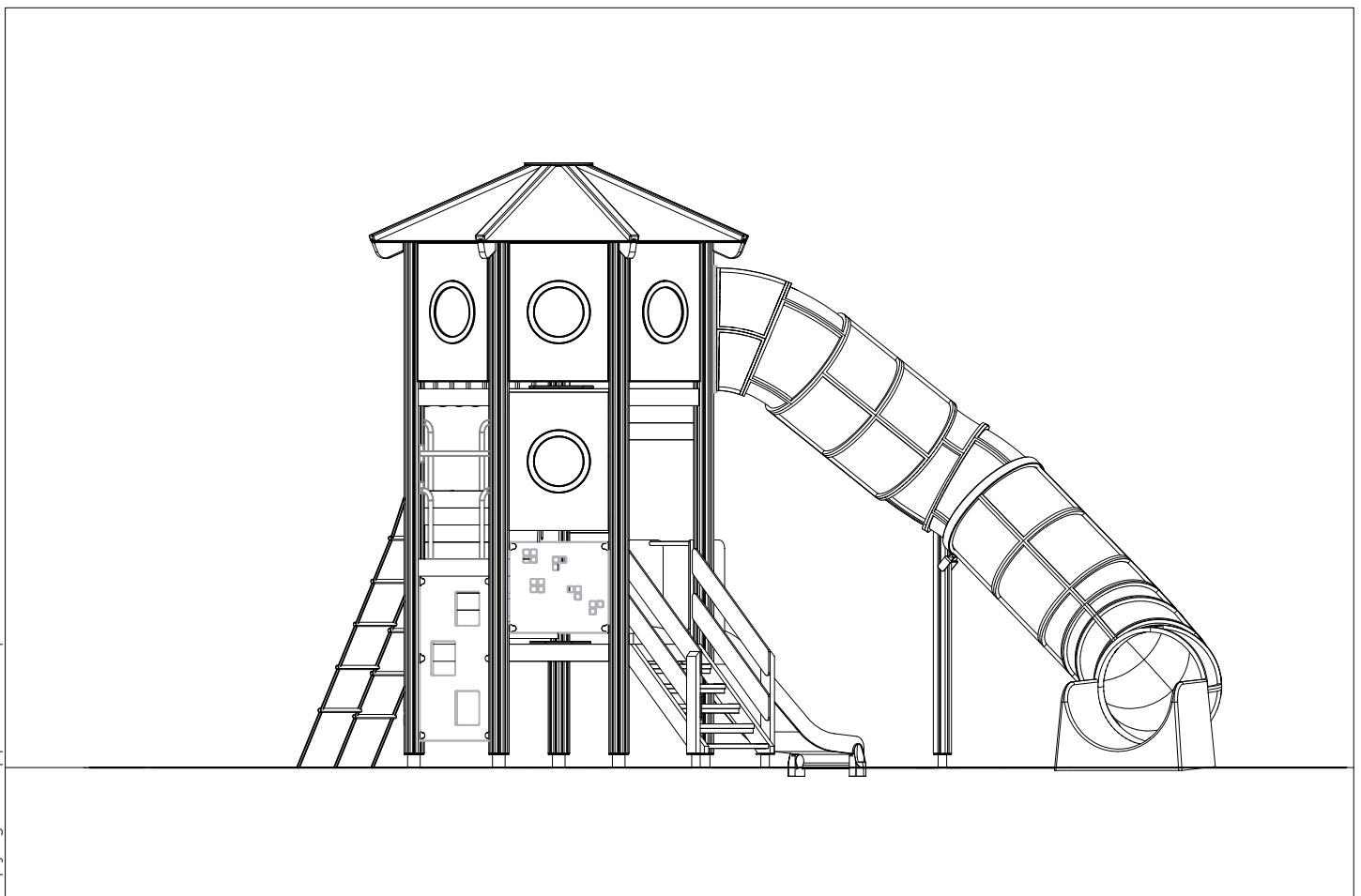
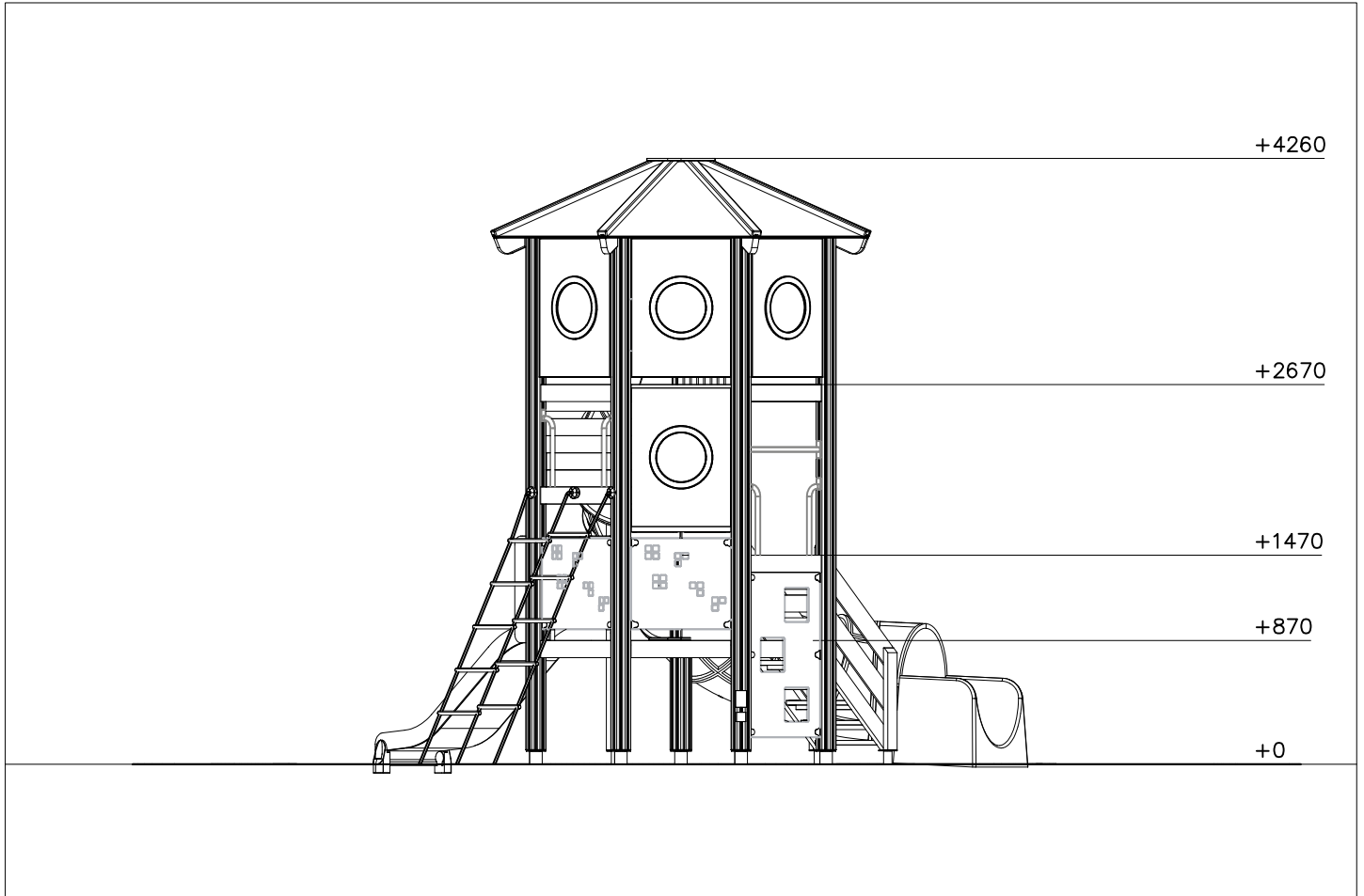
- EN/AS Impact Area 38.5 m²
- Falling Space 41.3 m²
- Max Falling Height 2670 mm

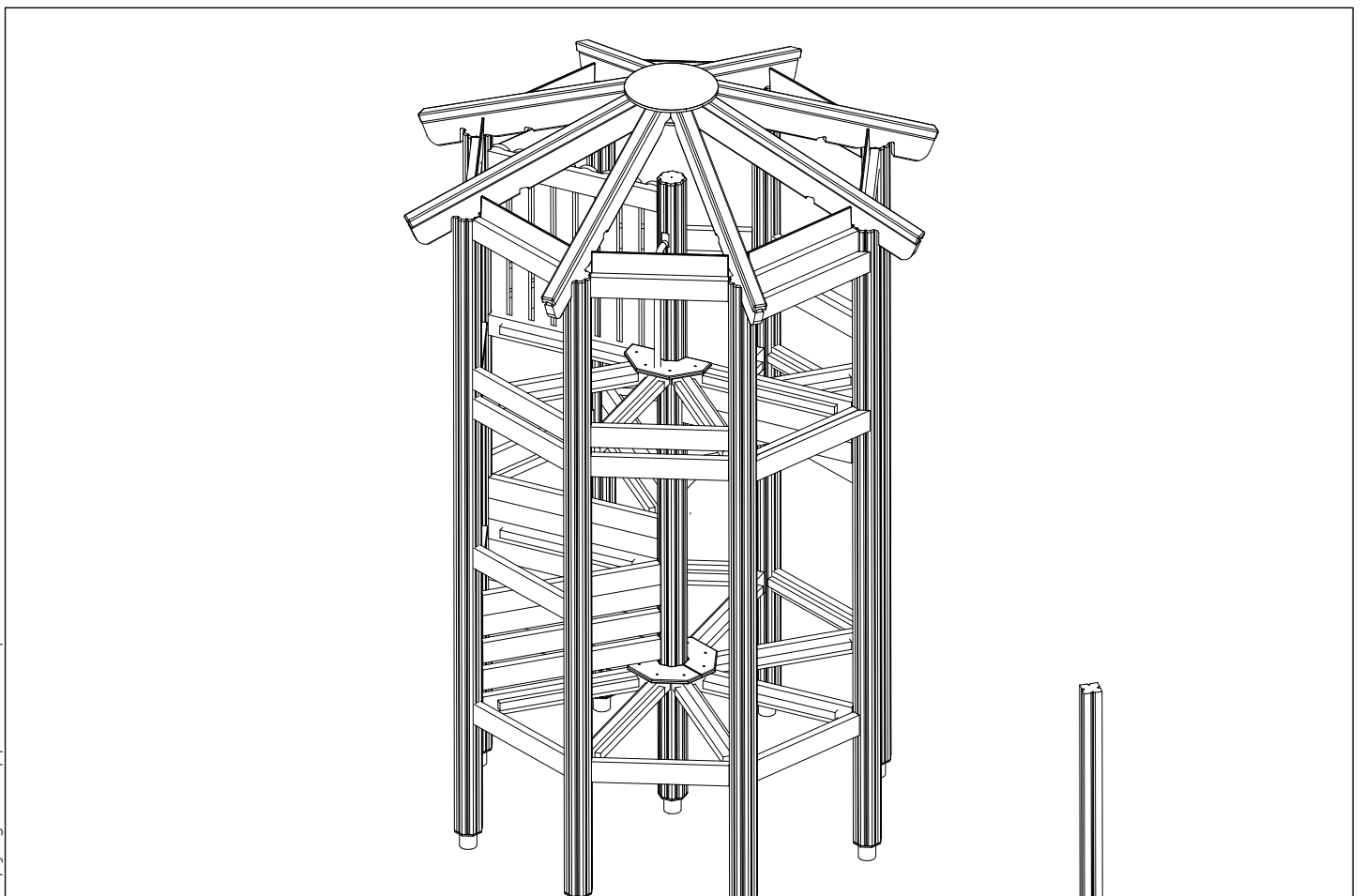
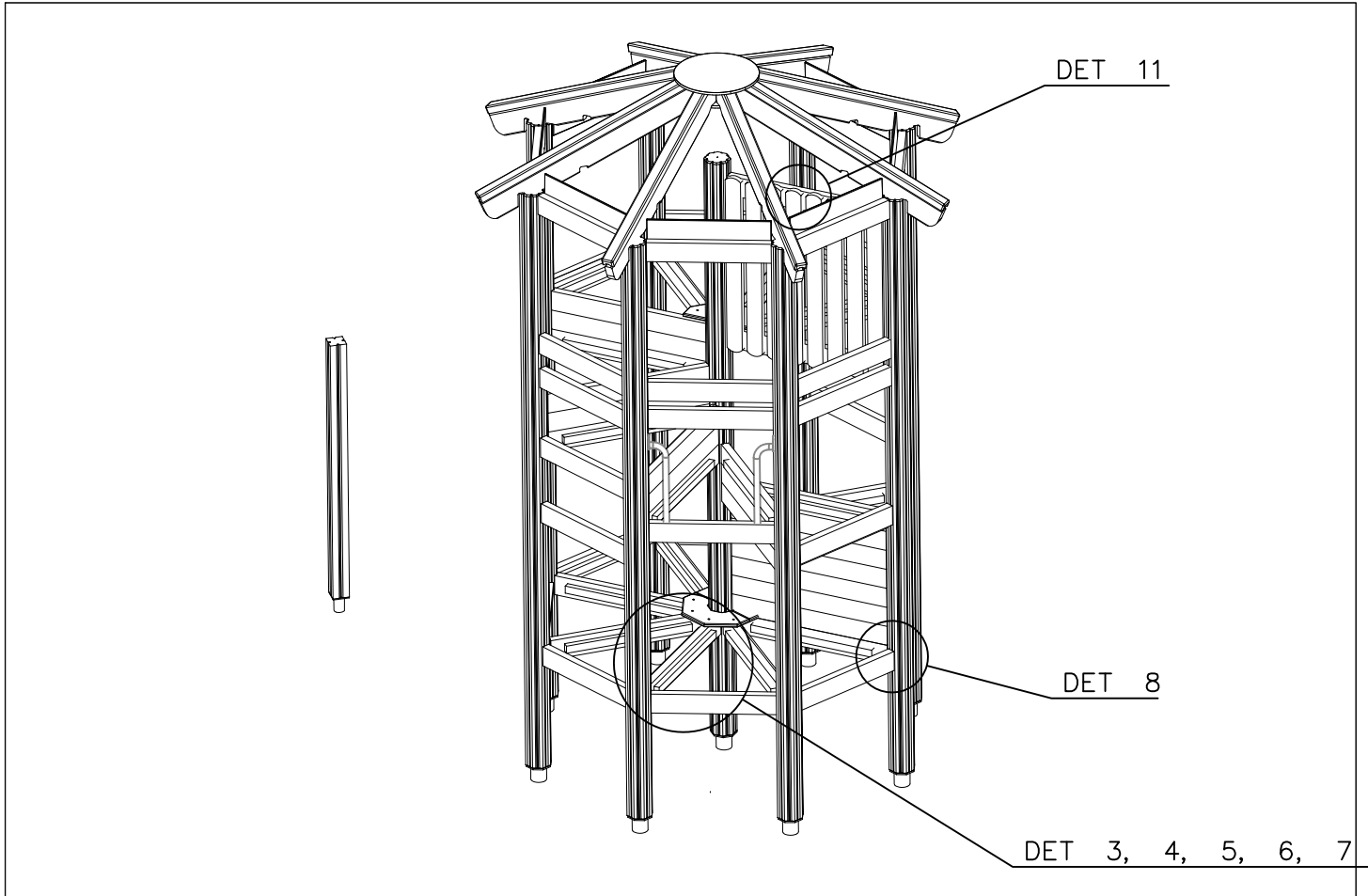


| | | |
|--|--|---|
|  |  <p>Ø7x40 901879</p> <p>Hoi! Slide sheet gap Liukupelti rako.</p> |  <p>M12x40 Ø24/13</p> |
|  <p>Access- and maintenance panel. Asennus- ja huolto luukku.</p> |  <p>M12 10x30 909545</p> |  <p>100 S 600</p> |
|  <p>300 S</p> | | |
| | | |

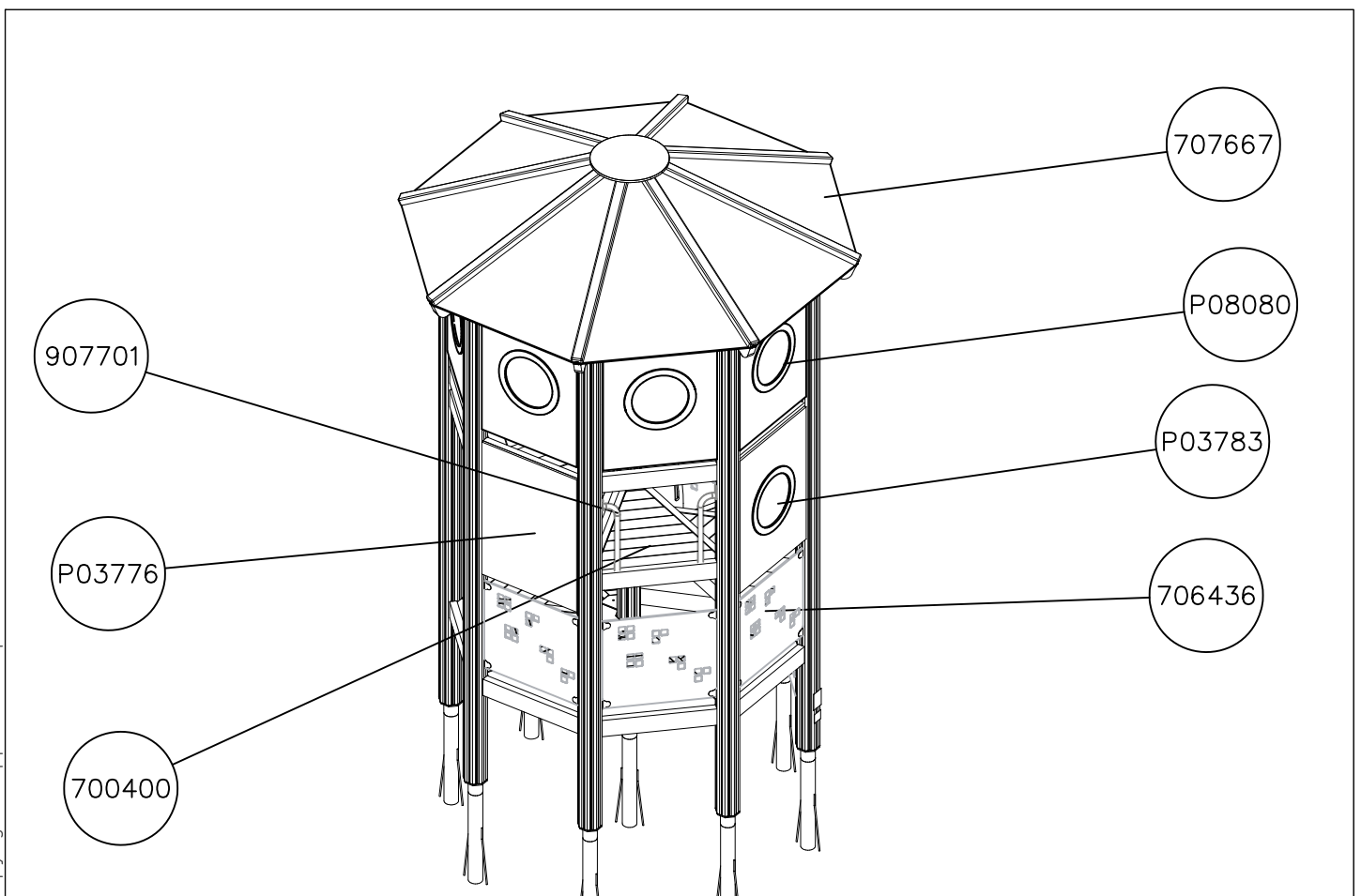
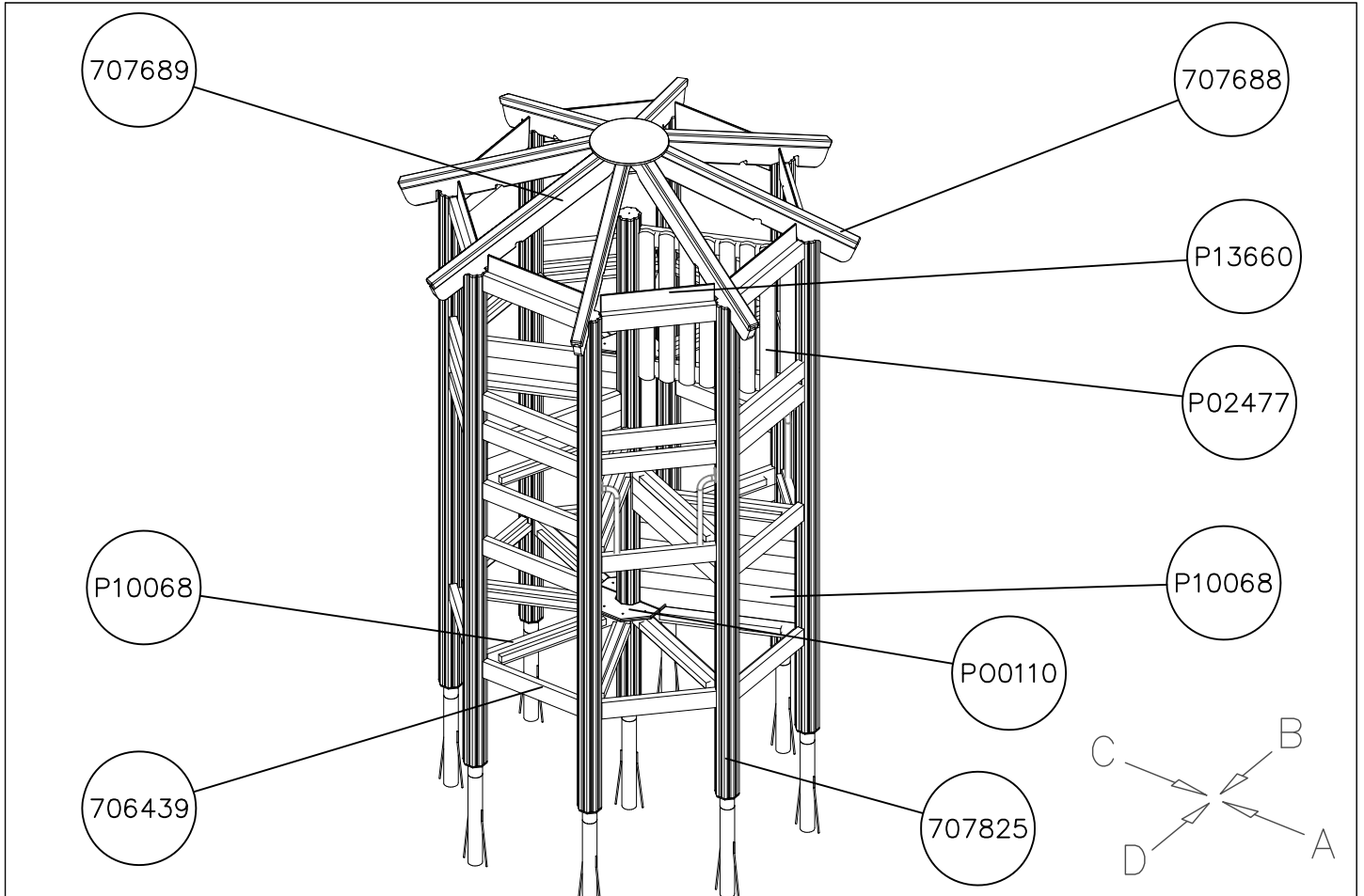
- EN/AS Impact Area 38.5 m²
- - - Falling Space 41.3 m²
- Max Falling Height 0000 mm







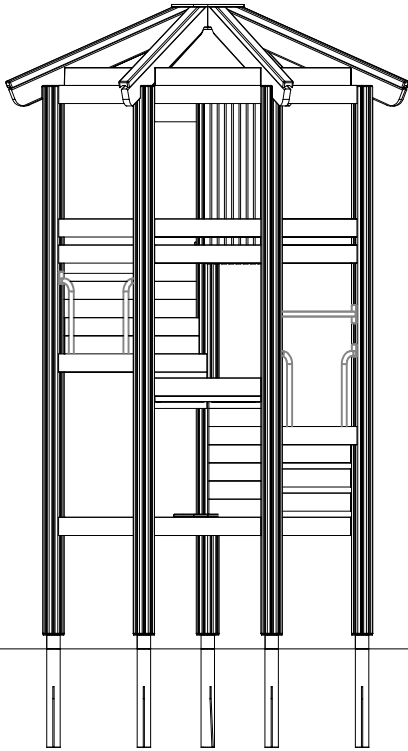
| | | | |
|---------------|---------------|---------------|---------------|
| <p>DET 1</p> | <p>DET 2</p> | <p>DET 3</p> | <p>DET 4</p> |
| <p>DET 5</p> | <p>DET 6</p> | <p>DET 7</p> | <p>DET 8</p> |
| <p>DET 9</p> | <p>DET 10</p> | <p>DET 11</p> | <p>DET 12</p> |
| <p>DET 13</p> | <p>DET 14</p> | <p>DET 15</p> | <p>DET 16</p> |
| <p>DET 17</p> | <p>DET 18</p> | <p>DET 19</p> | <p>DET 20</p> |



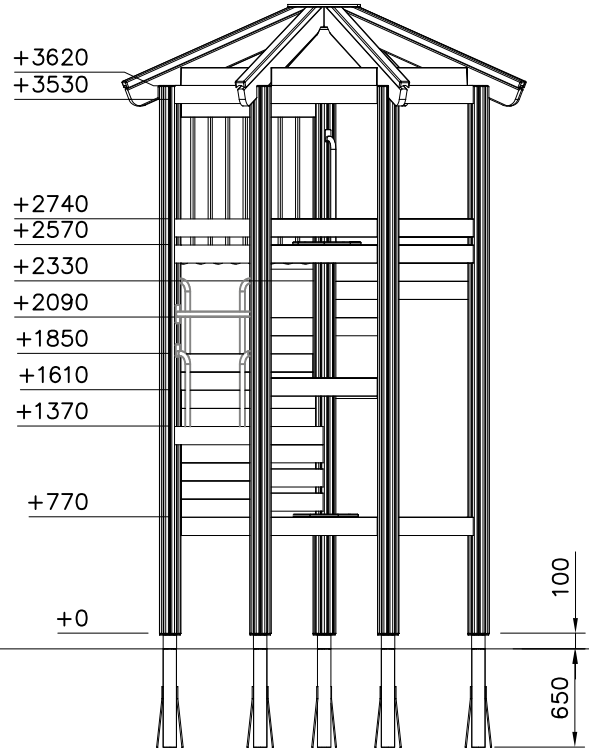
DATE: 27.5.2020

1:50

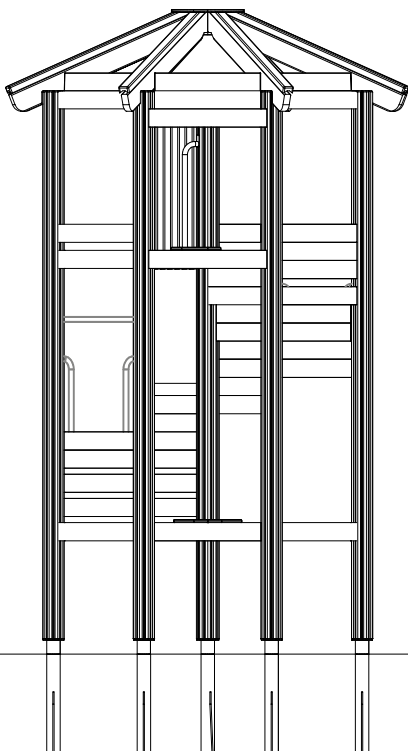
A



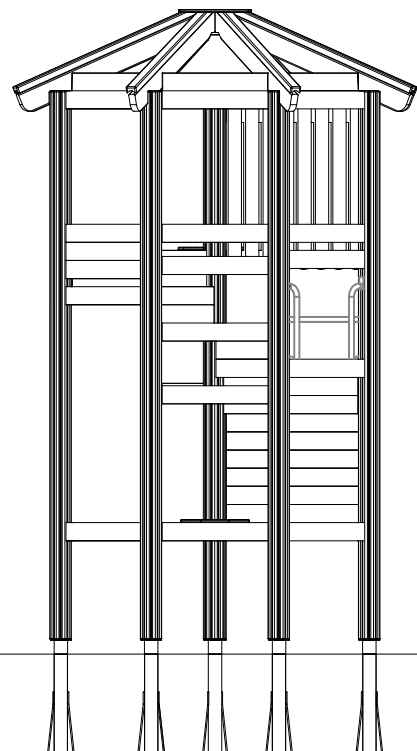
B

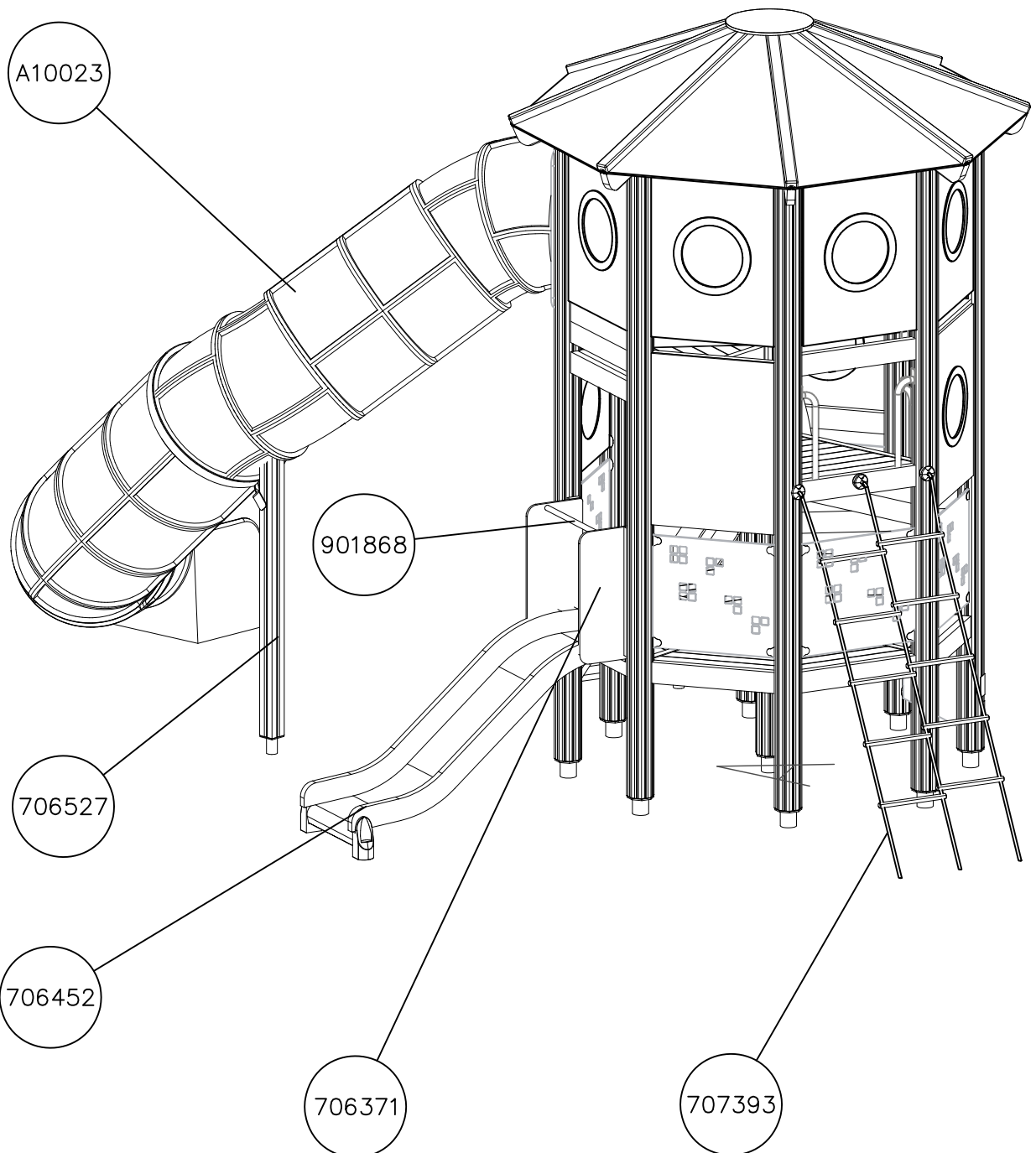


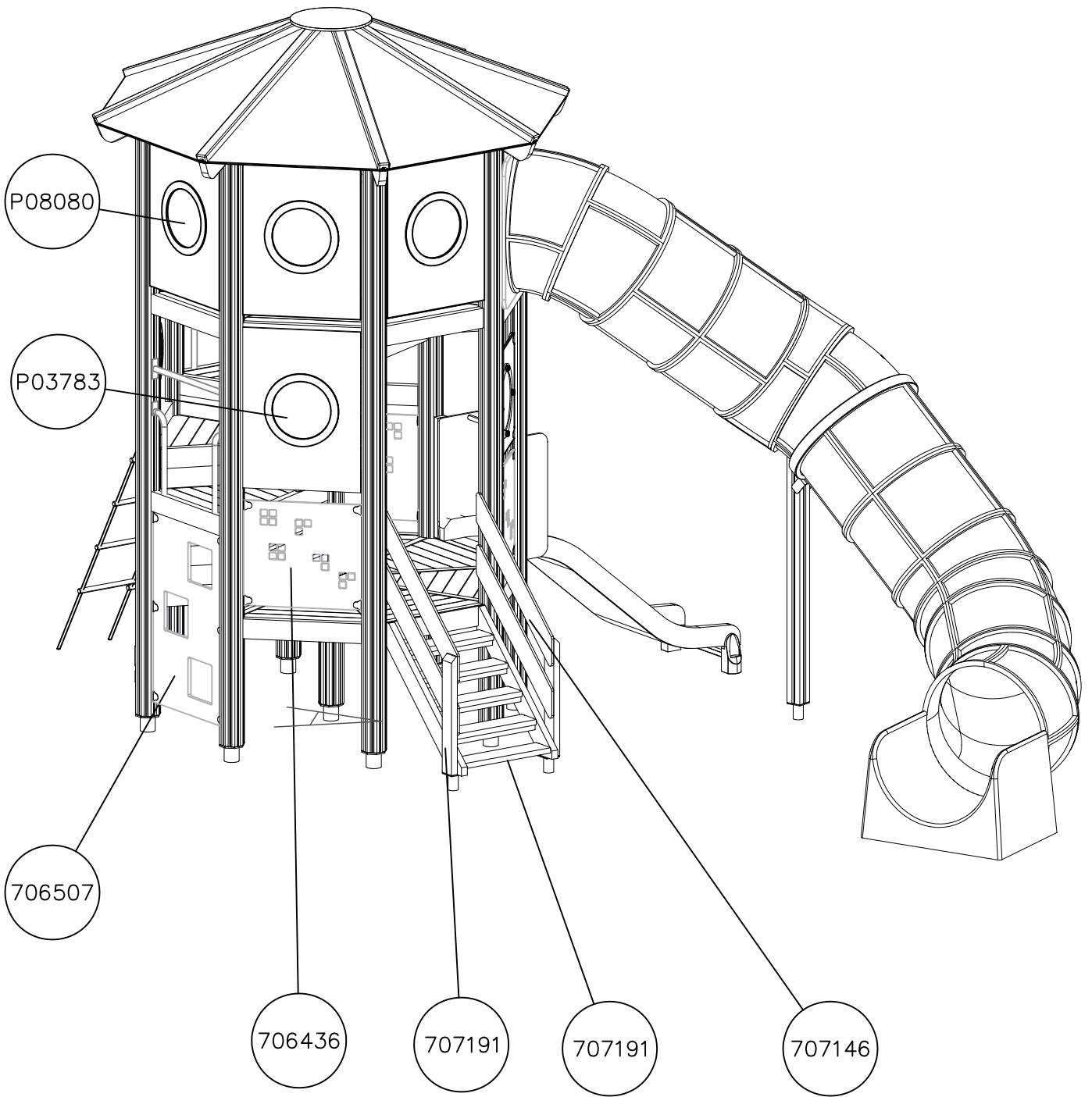
C

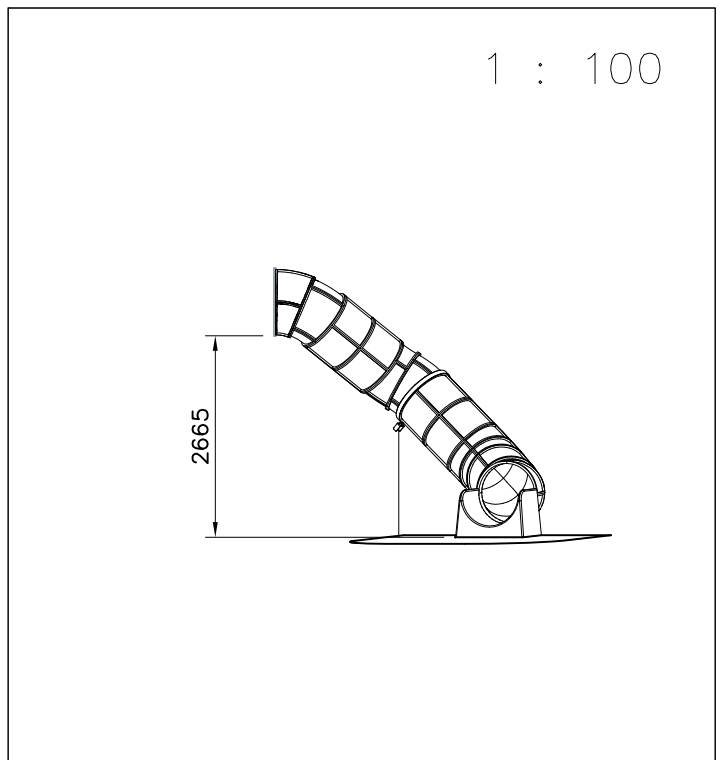
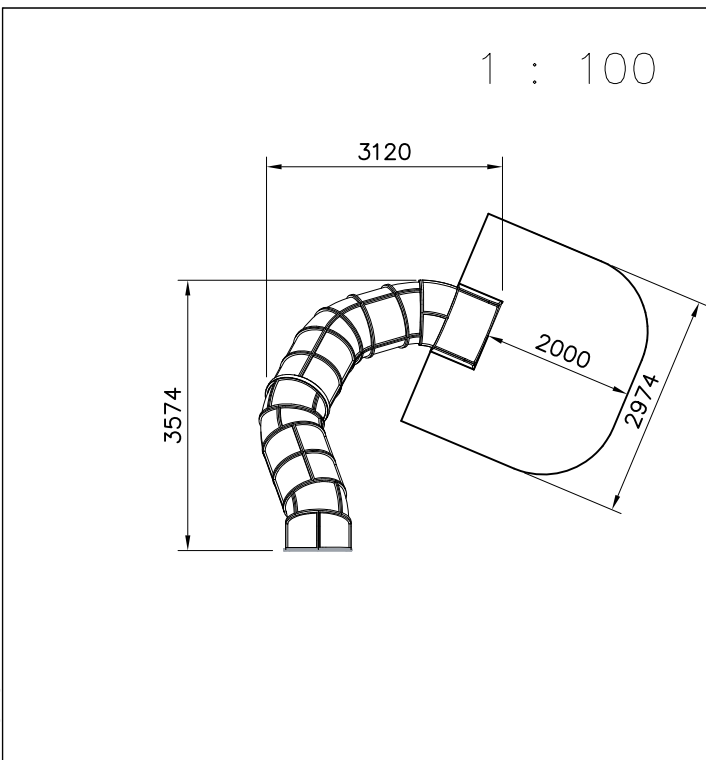
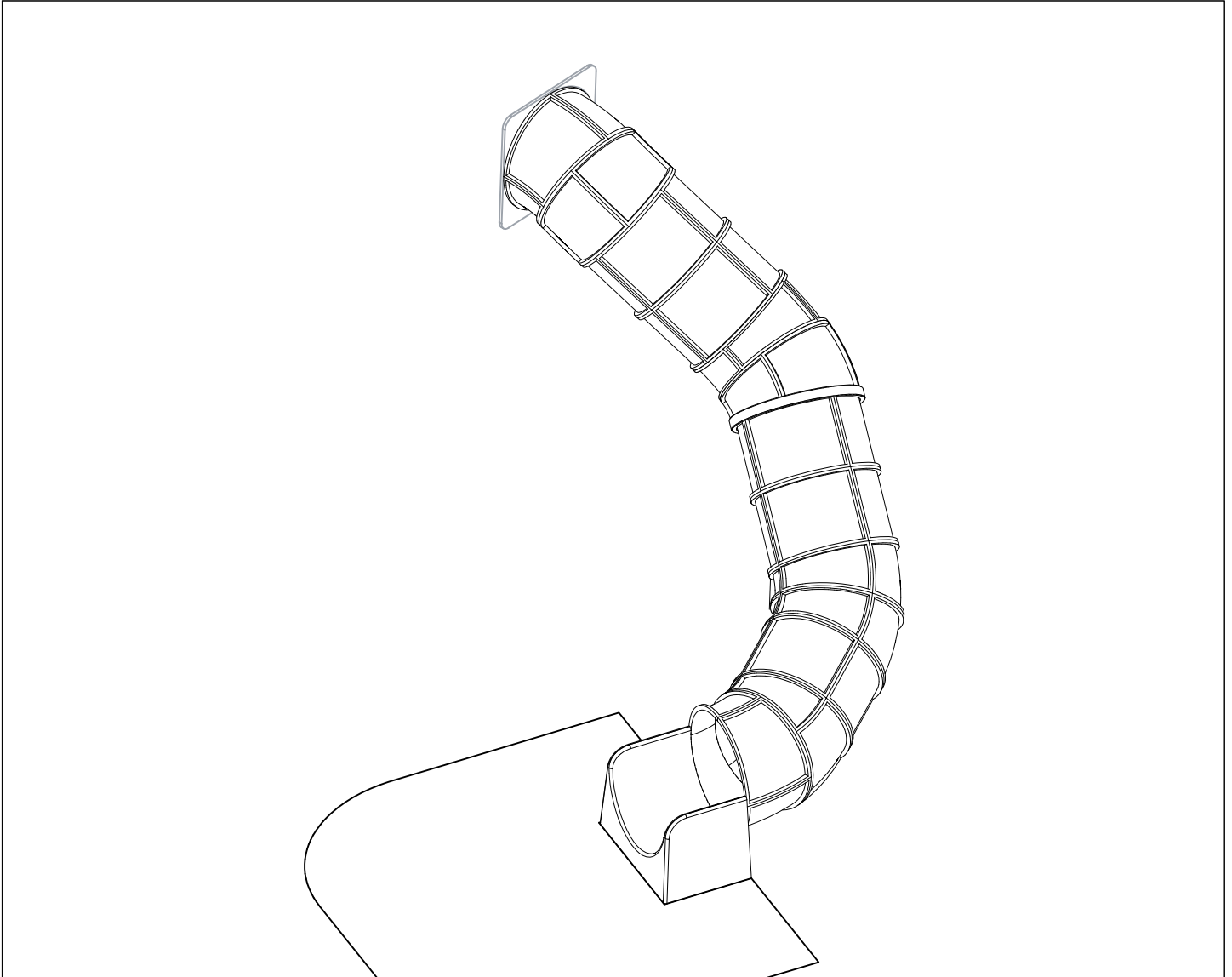


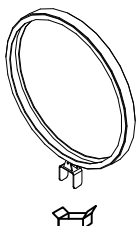
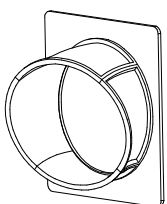
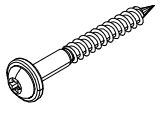
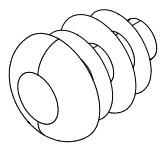

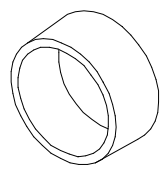
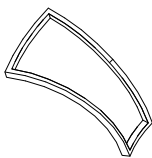
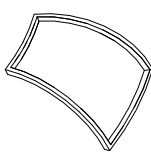
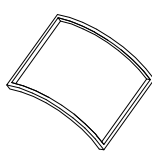
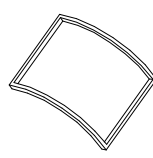

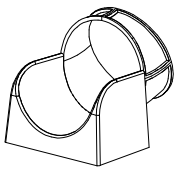

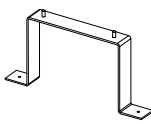

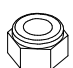

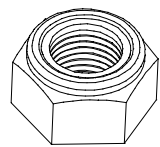
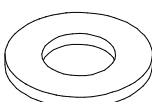
D

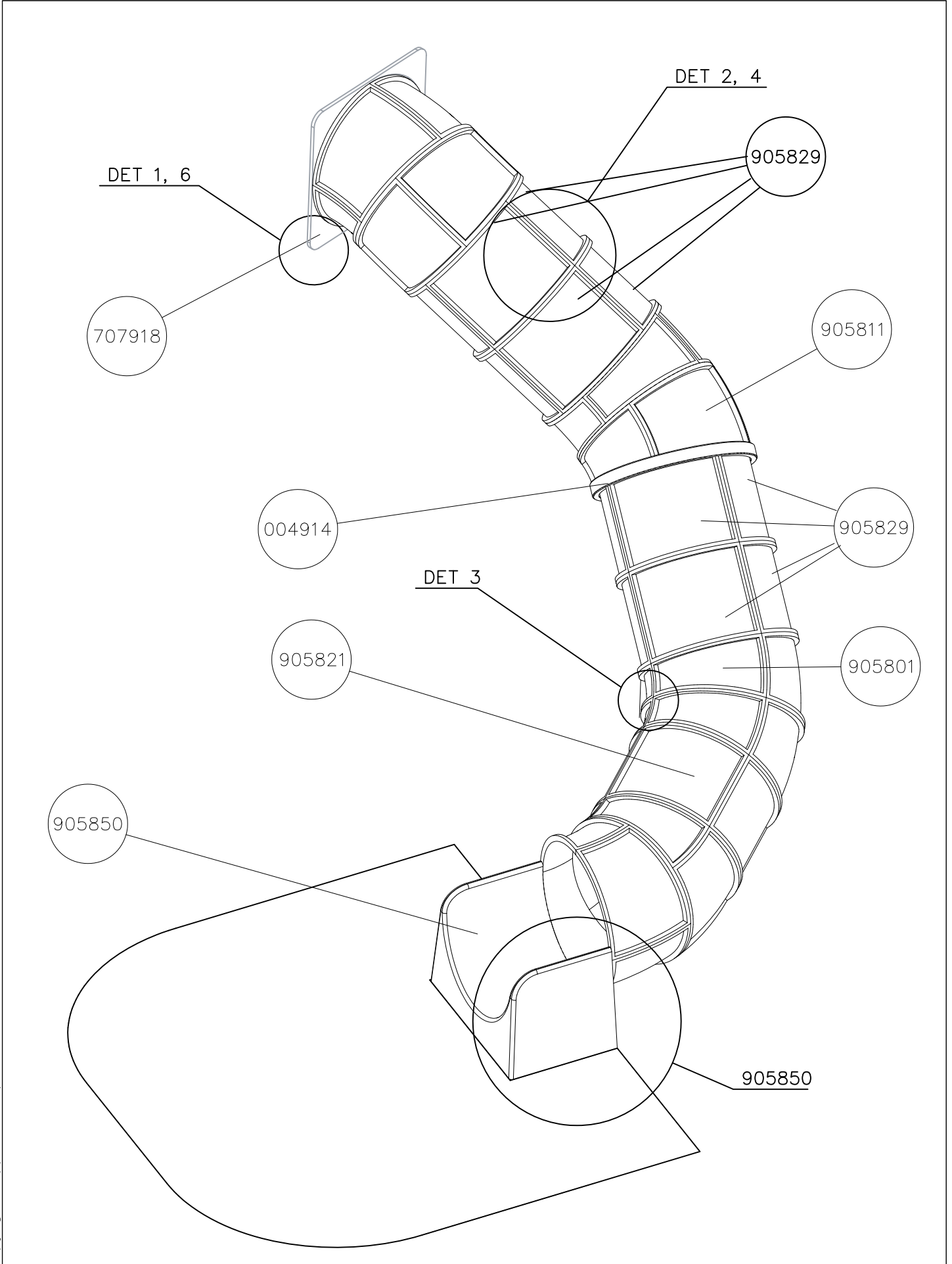


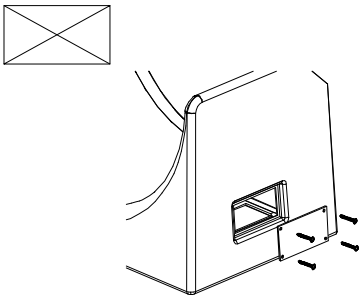
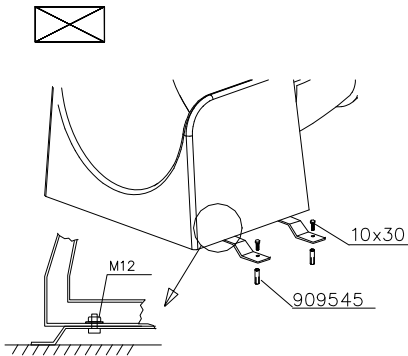
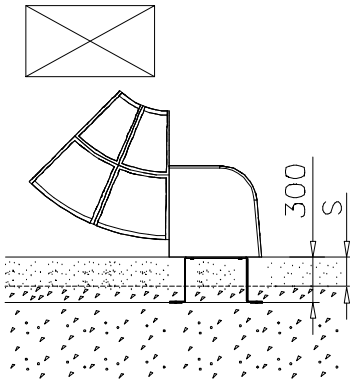
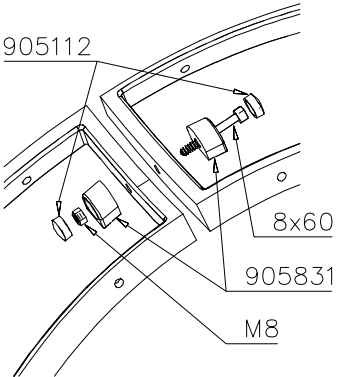
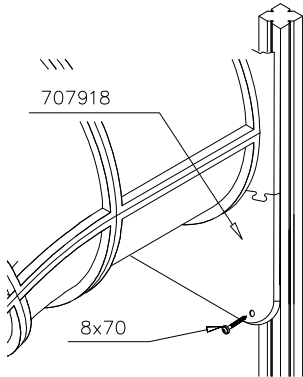
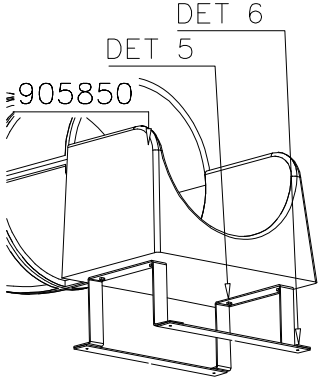
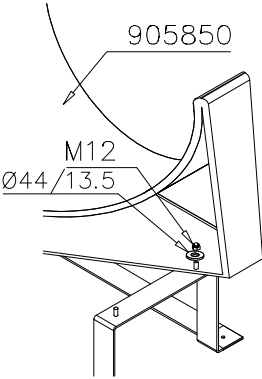
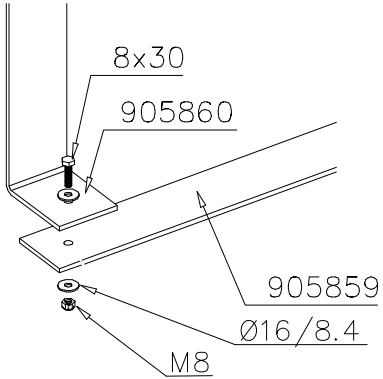


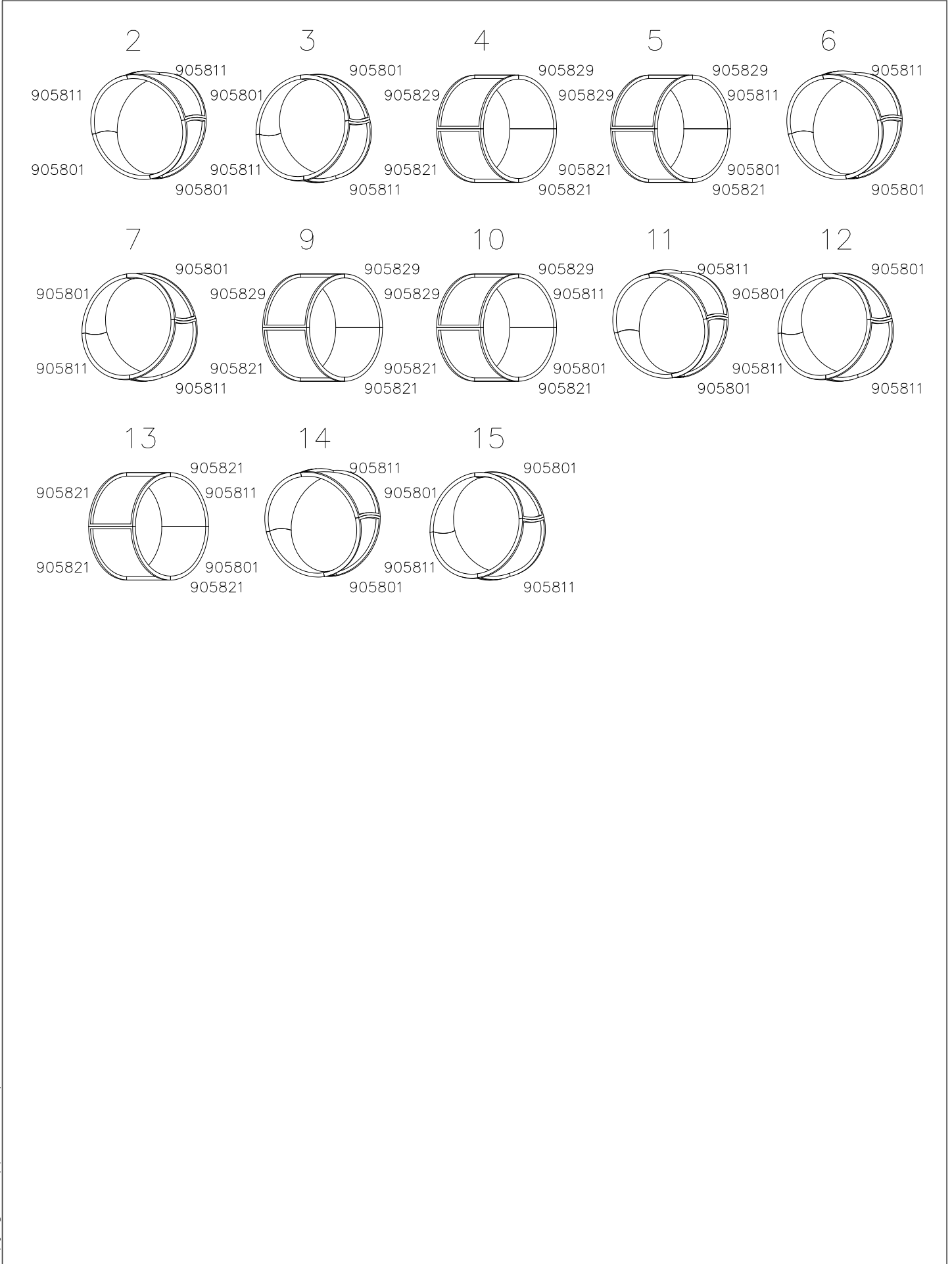




| | | | | | | | | | | | |
|---|-----------|---|-----------|--|------------|---|----------|--|------------|---|------------|
| 004914  1 | PCS 1 | 707918-705  1 | PCS 1 | 900240  14 Ø8x70 | PCS 14 | 903533  6 SRL12 | PCS 6 | 905086  4 Ø44/13.5 | PCS 4 | 905112  664 BLACK Ø22 | PCS 664 |
| 905801  GREY 12 | PCS 12 | 905811  GREY 12 | PCS 12 | 905821  GREY 12 | PCS 12 | 905829  TRANSPARENT 8 | PCS 8 | 905831  BLACK 600 | PCS 600 | 905850  1 | PCS 1 |
| 905859  6x80x850 2 | PCS 2 | 905860  2 | PCS 2 | 909205  8x60 300 | PCS 300 | 909248  M12 4 | PCS 4 | 909274  8x30 4 | PCS 4 | 980150  M8 304 | PCS 304 |
| 980151  Ø16/8.4 8 | PCS 8 | | PCS | | PCS | | PCS | | PCS | | PCS |
| | PCS | | PCS | | PCS | | PCS | | PCS | | PCS |
| | PCS | | PCS | | PCS | | PCS | | PCS | | PCS |
| | PCS | | PCS | | PCS | | PCS | | PCS | | PCS |



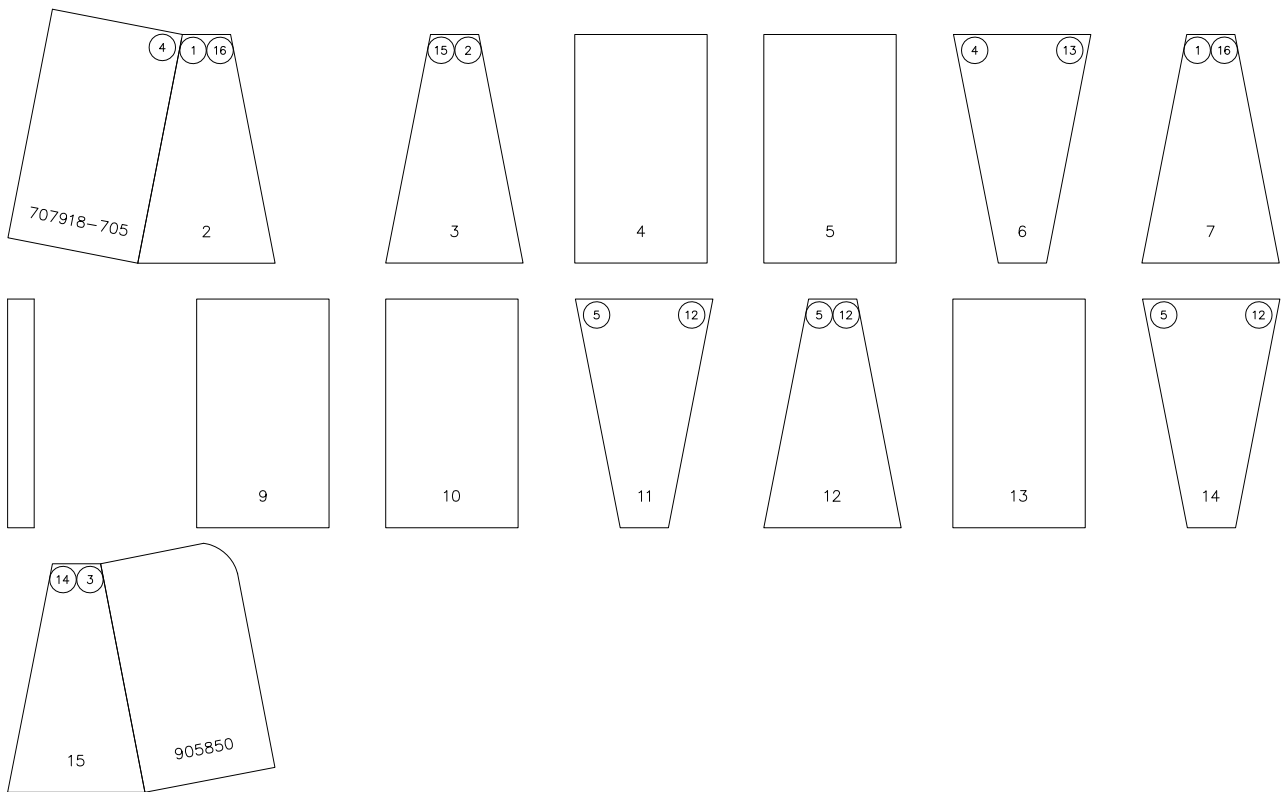
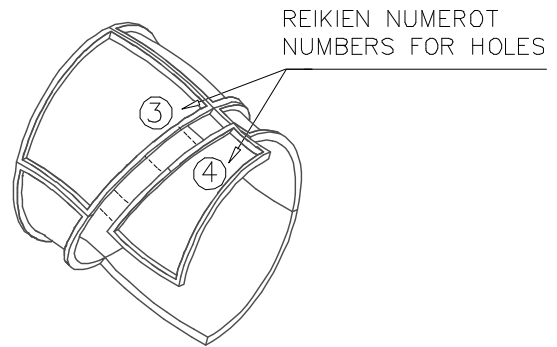
| | | |
|--|---|--|
| <p>905850</p>  <p>Access- and maintenance panel. Asennus- ja huolto luukku.</p> | <p>905850</p>  <p>10x30 M12 909545</p> | <p>905850</p>  <p>300 S</p> |
| <p>DET 4</p>  <p>905112 8x60 905831 M8</p> | <p>DET 5</p>  <p>707918 8x70</p> | <p>905850</p>  <p>DET 6 DET 5 905850</p> |
| <p>905850</p>  <p>905850 M12 Ø44/13.5</p> | <p>905850</p>  <p>8x30 905860 905859 Ø16/8.4 M8</p> | |
| | | |



Esimerkki putken kokoamisesta
Example of installation

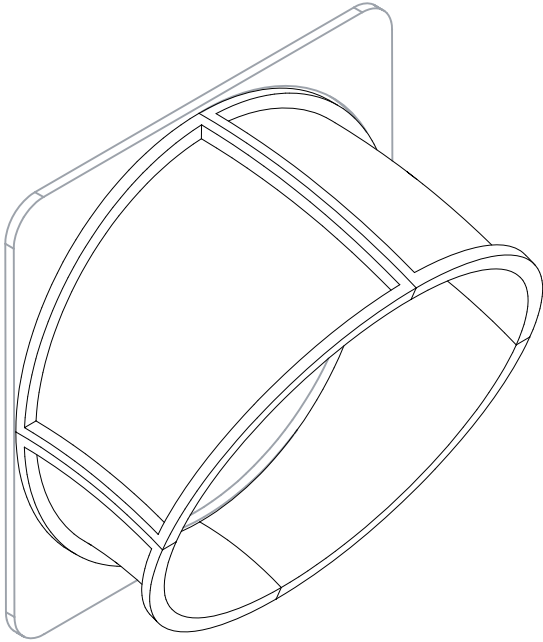
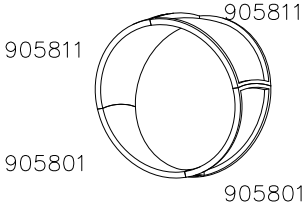


















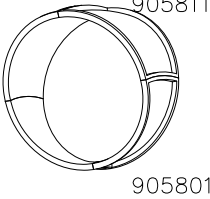



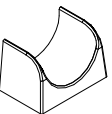





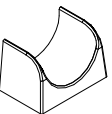




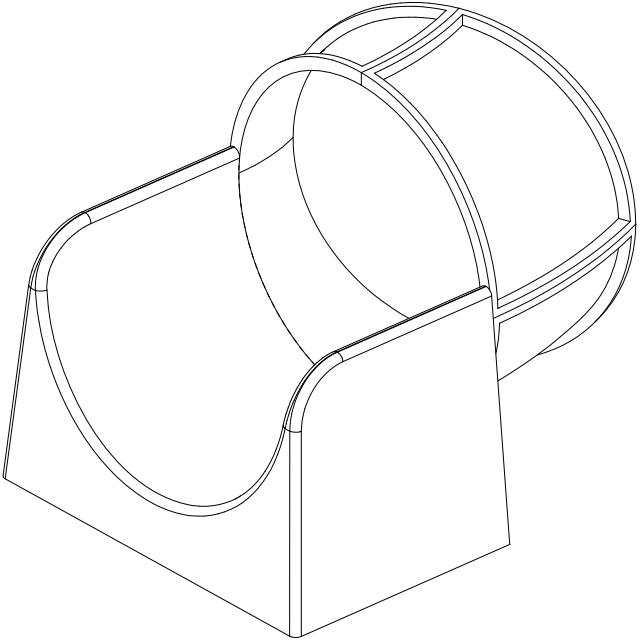



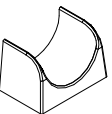


LIUKUPINTAAN EI SAA TULLA
LÄPINÄKYVIÄ MODUULEJA!!

NO TRANSPARENT PIECES ON
SLIDING SURFACE!!

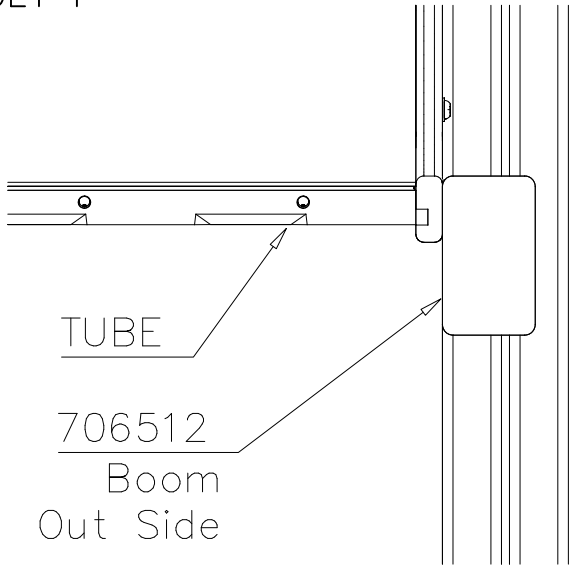


Valmiiksi kasattujen osien osakokoonpanot ja vara-osa listat.

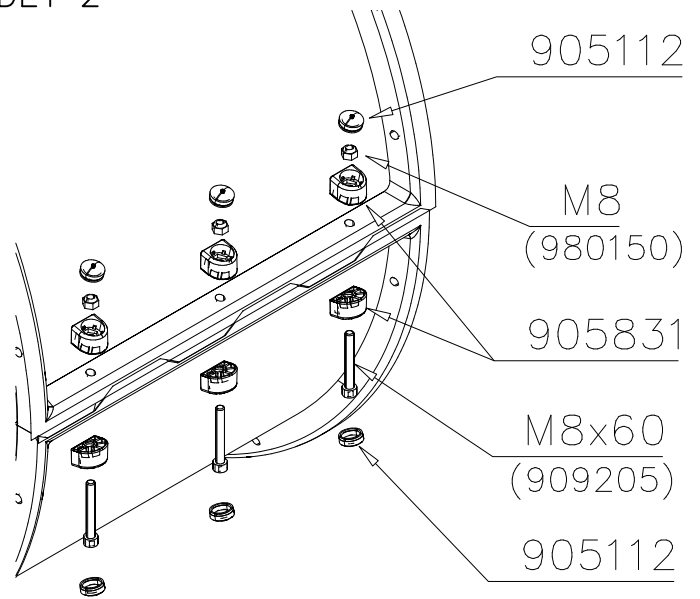
Ready installed component subassemblies and spare part list.

| | | | | | | | | | |
|---|---|--|--|--|---|---|--|--|--|
|  | <p style="text-align: center;">2</p>  <table border="1" data-bbox="895 931 1469 1312"> <tr> <td>707918-705 </td> <td>909205 x 8 </td> <td>980150 x 8 </td> </tr> <tr> <td>905831 x 32 </td> <td>909208 x 16 </td> <td>909119 x 16 </td> </tr> </table> | | | 707918-705  | 909205 x 8  | 980150 x 8  | 905831 x 32  | 909208 x 16  | 909119 x 16  |
| 707918-705  | 909205 x 8  | 980150 x 8  | | | | | | | |
| 905831 x 32  | 909208 x 16  | 909119 x 16  | | | | | | | |
| <p style="text-align: center;">15</p>  <table border="1" data-bbox="172 1727 746 2101"> <tr> <td>909205 x 16 909206 x 8 </td> <td>980150 x 16 </td> <td>905831 x 32 </td> </tr> <tr> <td>905850 </td> <td>909208 x 8 </td> <td>980151 x 8 </td> </tr> </table> <p>Position of the box: 179 degrees</p> | 909205 x 16 909206 x 8  | 980150 x 16  | 905831 x 32  | 905850  | 909208 x 8  | 980151 x 8  | <p>909252 x 13 </p> <p>700413 x 1 </p> |  | |
| 909205 x 16 909206 x 8  | 980150 x 16  | 905831 x 32  | | | | | | | |
| 905850  | 909208 x 8  | 980151 x 8  | | | | | | | |

DET 1



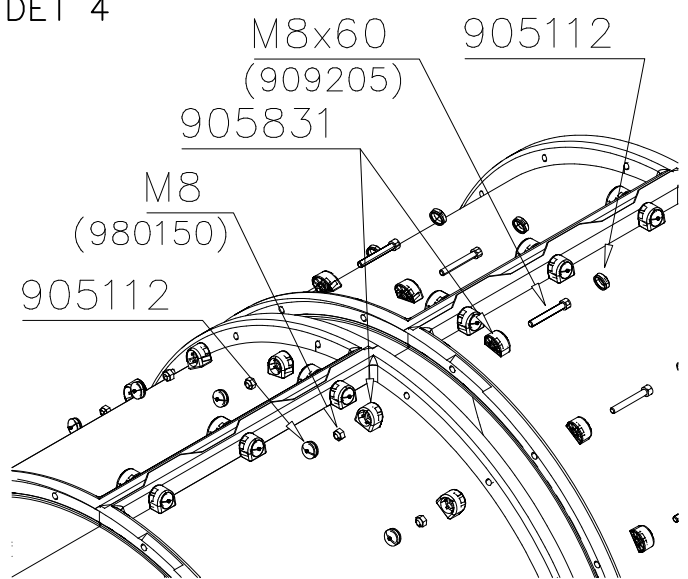
DET 2



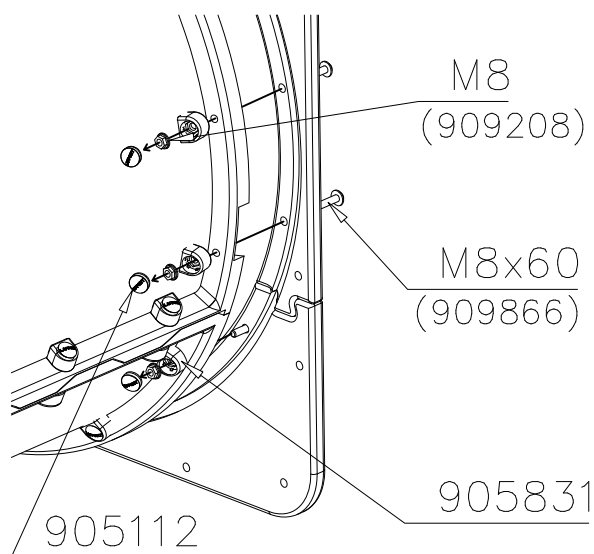
DET 3



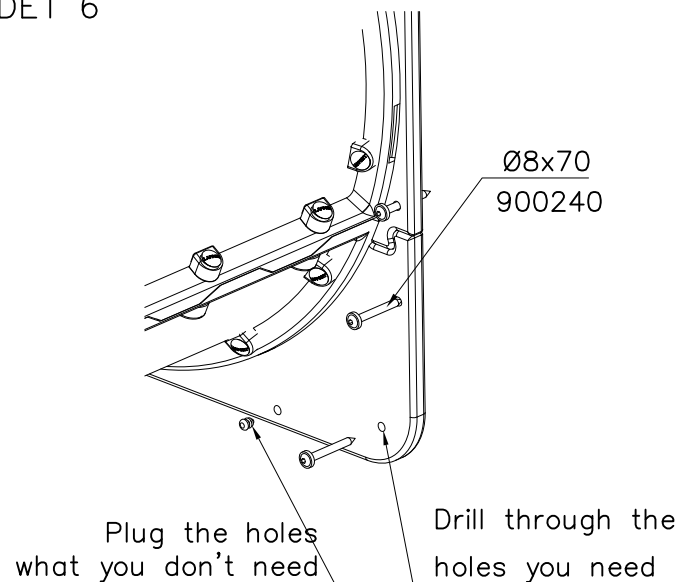
DET 4



DET 5



DET 6



LAPPSET®
DEEP FOUNDATION

FOOT

DATE: 13.3.2014

4A



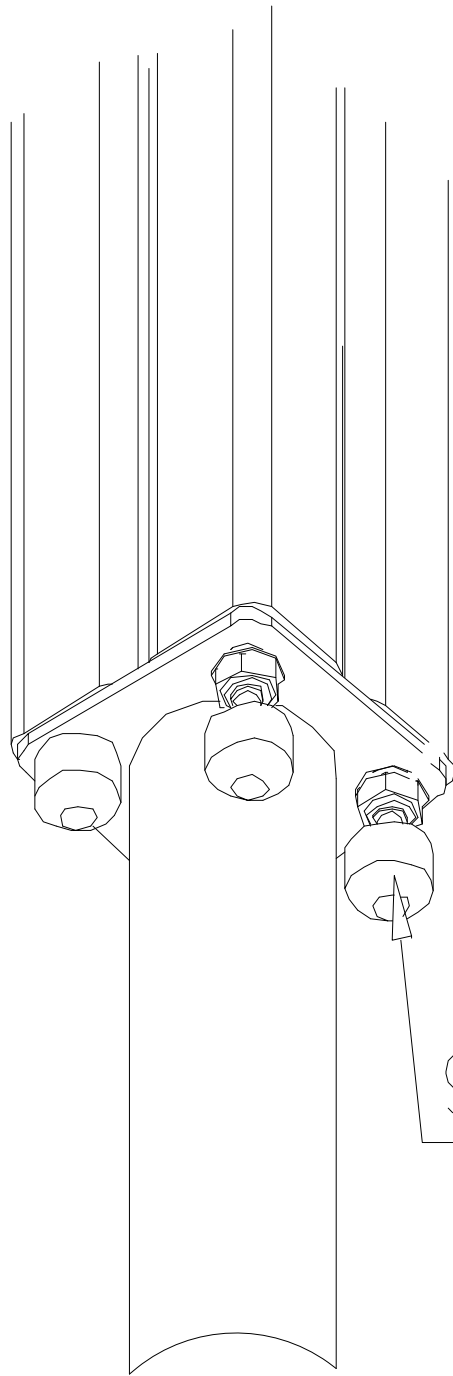
LAPPSET®
BETON FOUNDATION

FOOT

DATE: 27.10.2015

1(1)

| | | | |
|--|-----|--|-----|
| ② 905104 | PCS | | PCS |
| | 4 | | |
|  M10 | PCS | | PCS |
| | | | |



905104


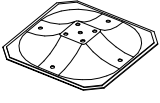
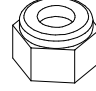

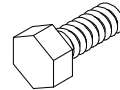
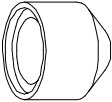

LAPPSET® DEEP FOUNDATION

FOOT

DATE: 15.5.2018

1(1)



| | | | | | |
|-------------|---|-----|---|--------|-----|
| ① | 909511 | PCS | ② | 909519 | PCS |
| |  | 1 |  | 1 | |
| | 90x90x650 | | 50x380x380 | | |
| ③ | 909637 | PCS | ④ | 909638 | PCS |
| |  | 4 |  | 8 | |
| | M10 | | Ø20/10.5 | | |
| ⑤ | 909639 | PCS | ⑥ | 905104 | PCS |
| |  | 4 |  | 4 | |
| | M10x25 | | M10 | | |
| OPTION FOOT | | | | | |
| ① | 911155 | PCS | | | PCS |
| |  | 1 | | | |
| | 90x90x650 | | | | |

LAPPSET

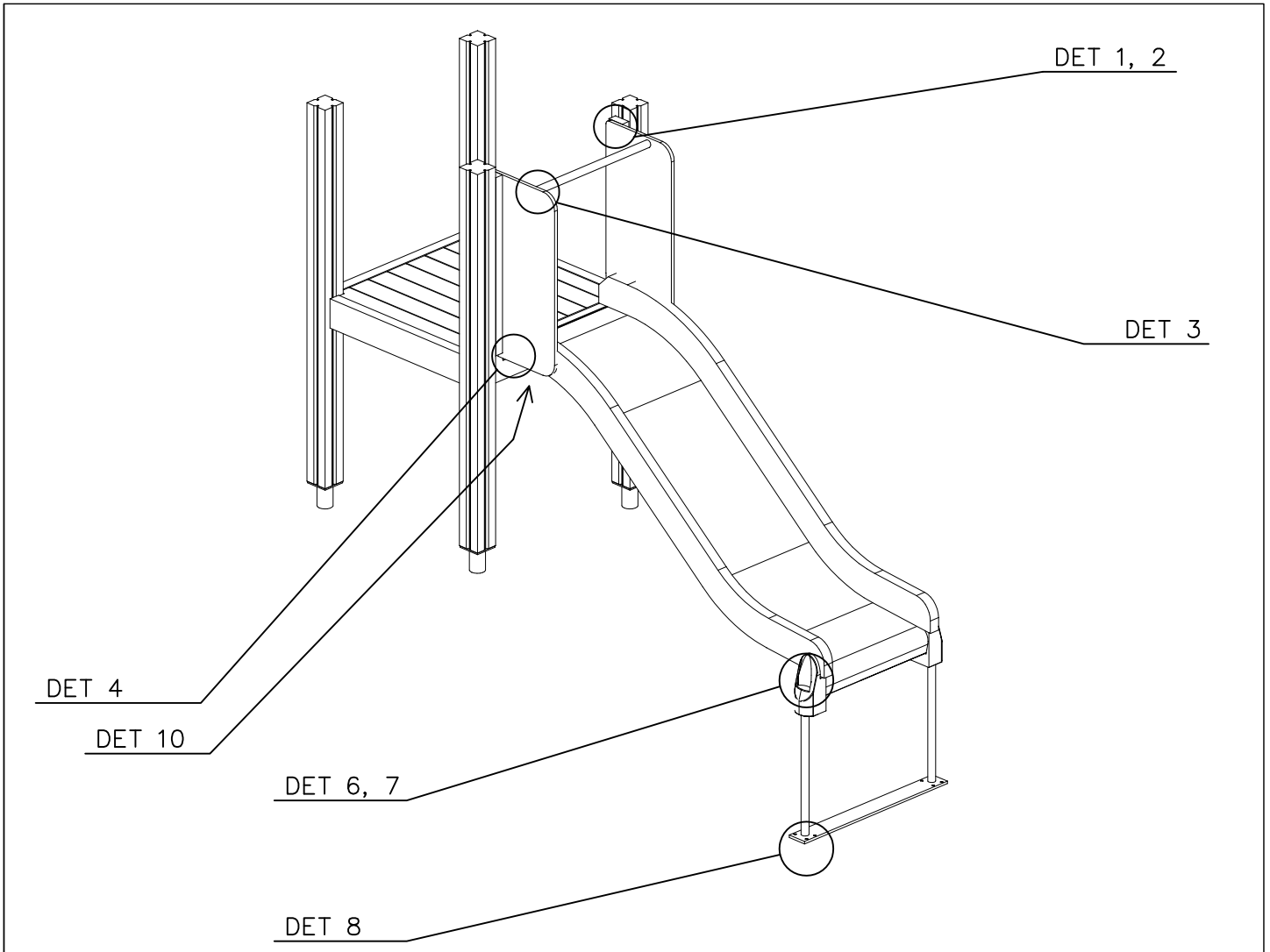
DEEP FOUNDATION

SLIDE WOOD

DATE: 22.5.2015

1(1)





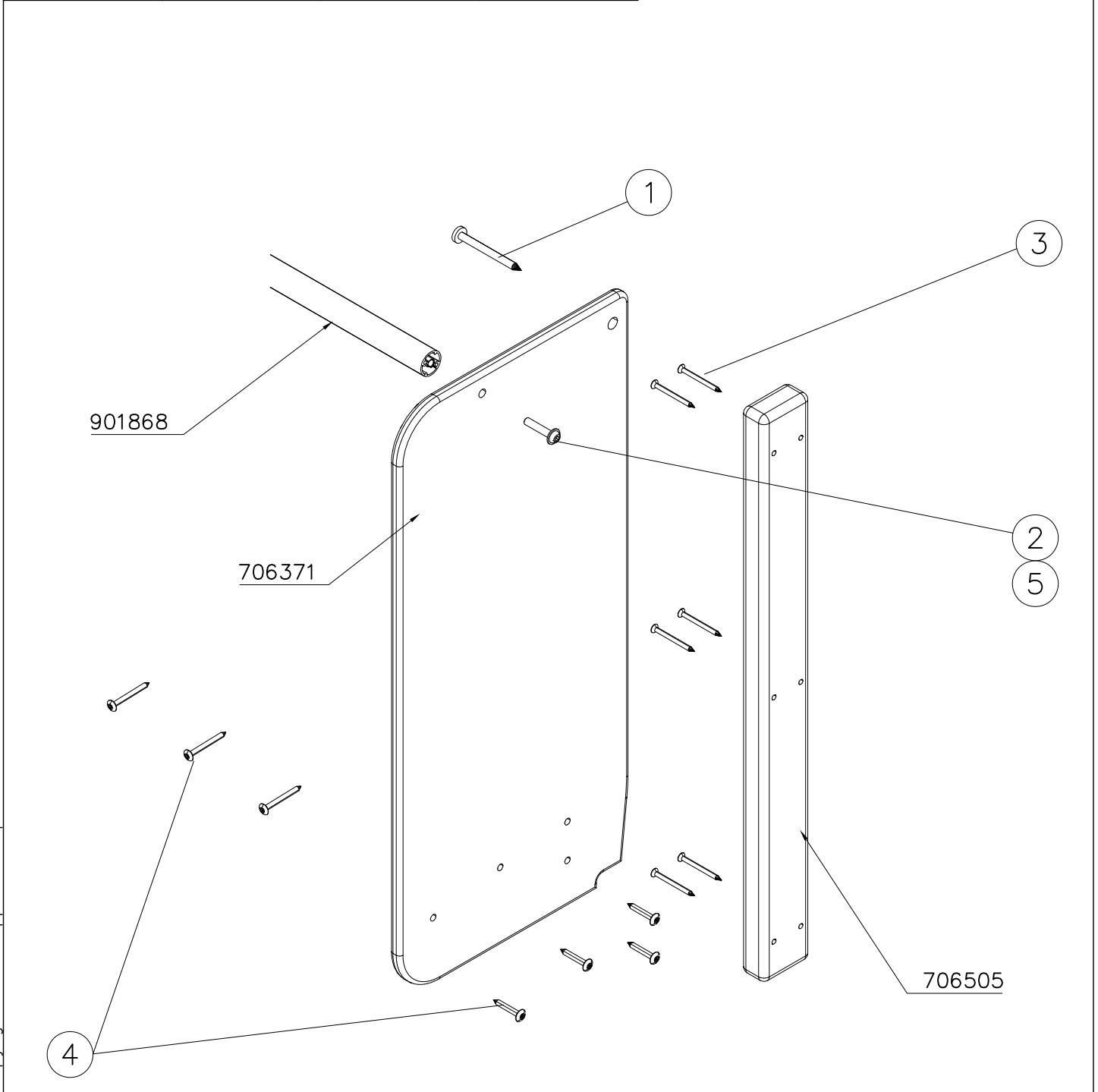
SLIDE OPTIONS

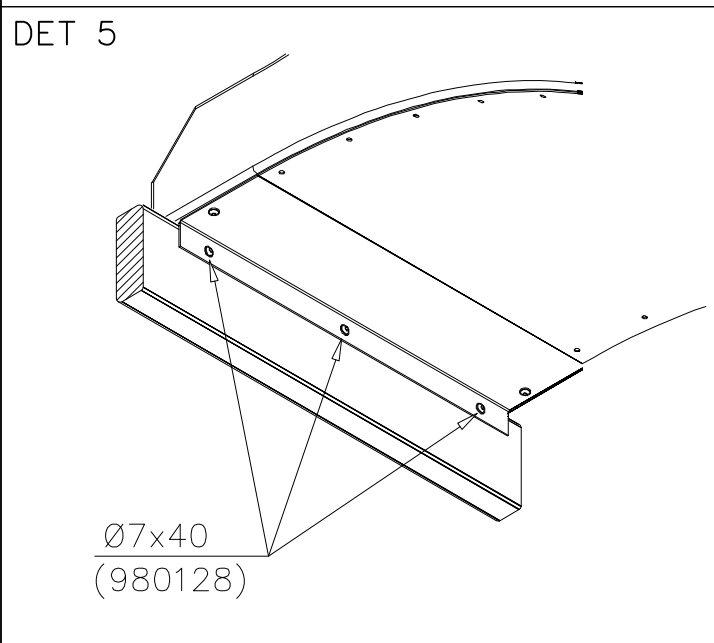
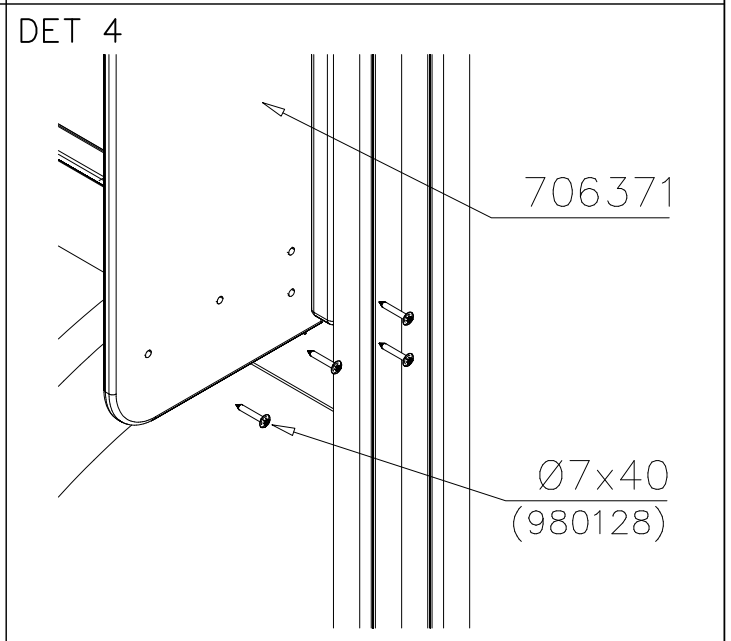
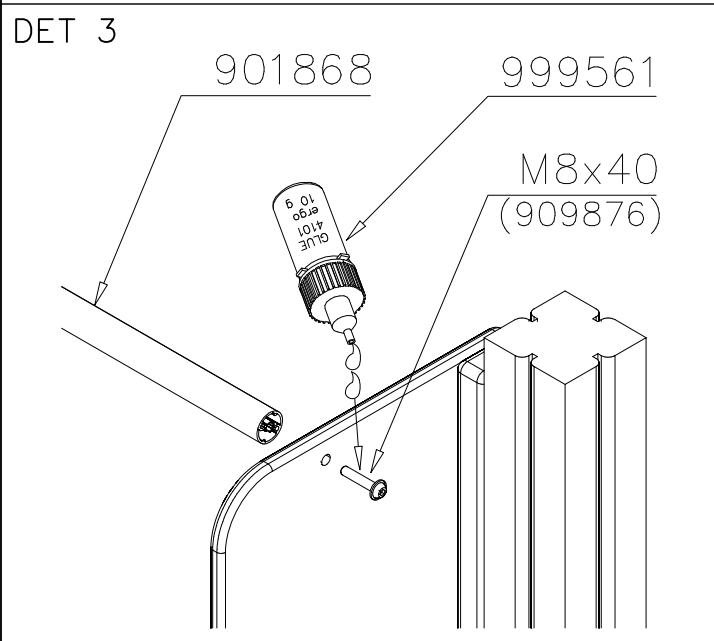
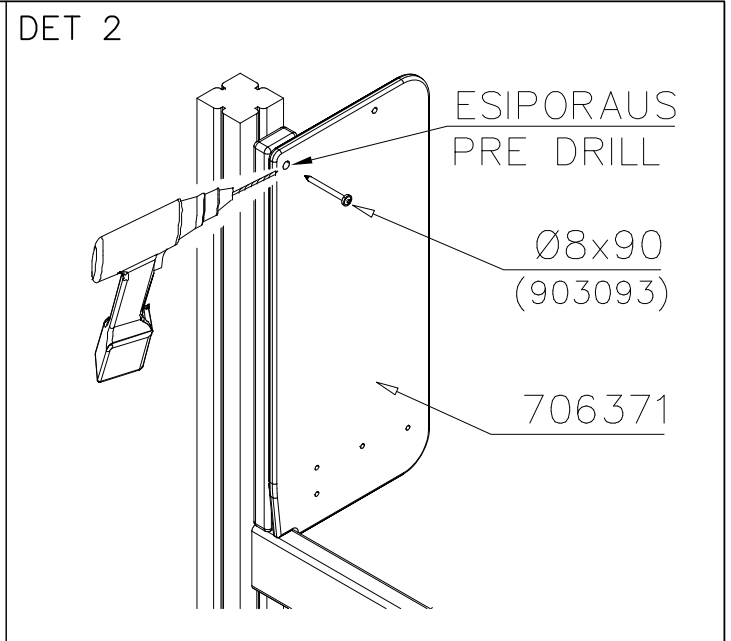
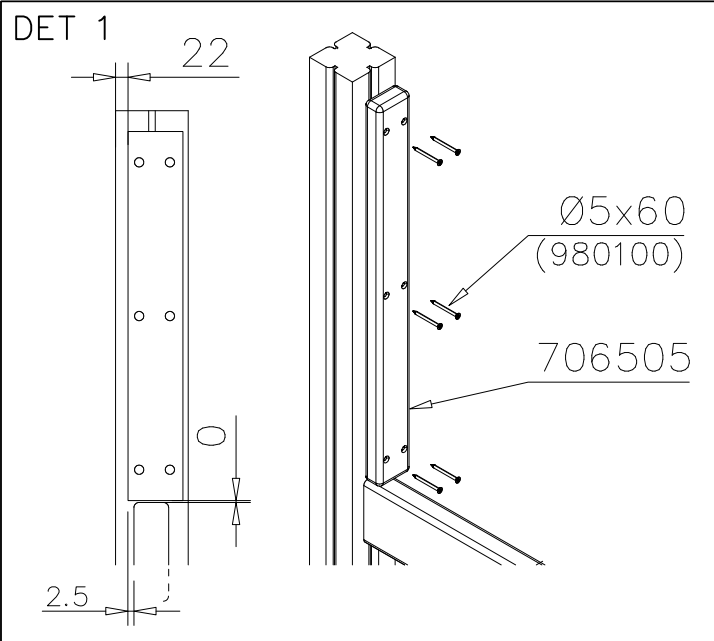
| | | |
|---|---|--|
| <p>706450 +1470</p>  | <p>706450-602 DARK BROWN 706450-603 LIGHT BROWN 706450-604 LIGHT GRAY</p> | |
| <p>706452 +870</p>  | <p>706452-602 DARK BROWN 706452-603 LIGHT BROWN 706452-604 LIGHT GRAY</p> | |

WALL OPTIONS

| | | |
|---|--|---|
| <p>706371</p>  | <p>706371-701 BLUE 706371-702 YELLOW 706371-703 LIME 706371-704 DRARK GRAY 706371-705 LIGHT GRAY 706371-706 RED</p> | <p>706371-707 GREEN 706371-708 FUXIA</p> |
|---|--|---|

| | | | | | | | | | | | |
|--|-----|---|-----|---|-----|---|-----|--|-----|---|-----|
| ○ SLIDE | PCS | ○ SLIDE | PCS | ○ 706371 | PCS | ○ 706505 | PCS | ○ 901868 | PCS | ① 903093 | PCS |
|  | 1 |  | 1 |  | 2 |  | 2 |  | 1 |  | 2 |
| +1470 | | +870 | | 15x345x750 | | 35x70x730 | | Ø34x598 | | Ø8x90 | |
| ② 909876 | PCS | ③ 980100 | PCS | ④ 980128 | PCS | ⑤ 999561 | PCS | | | | |
|  | 2 |  | 12 |  | 11 |  | 1 | | | | |
| M8x40 | | Ø5x60 | | Ø7x40 | | 10g | | | | | |





LAPPSET

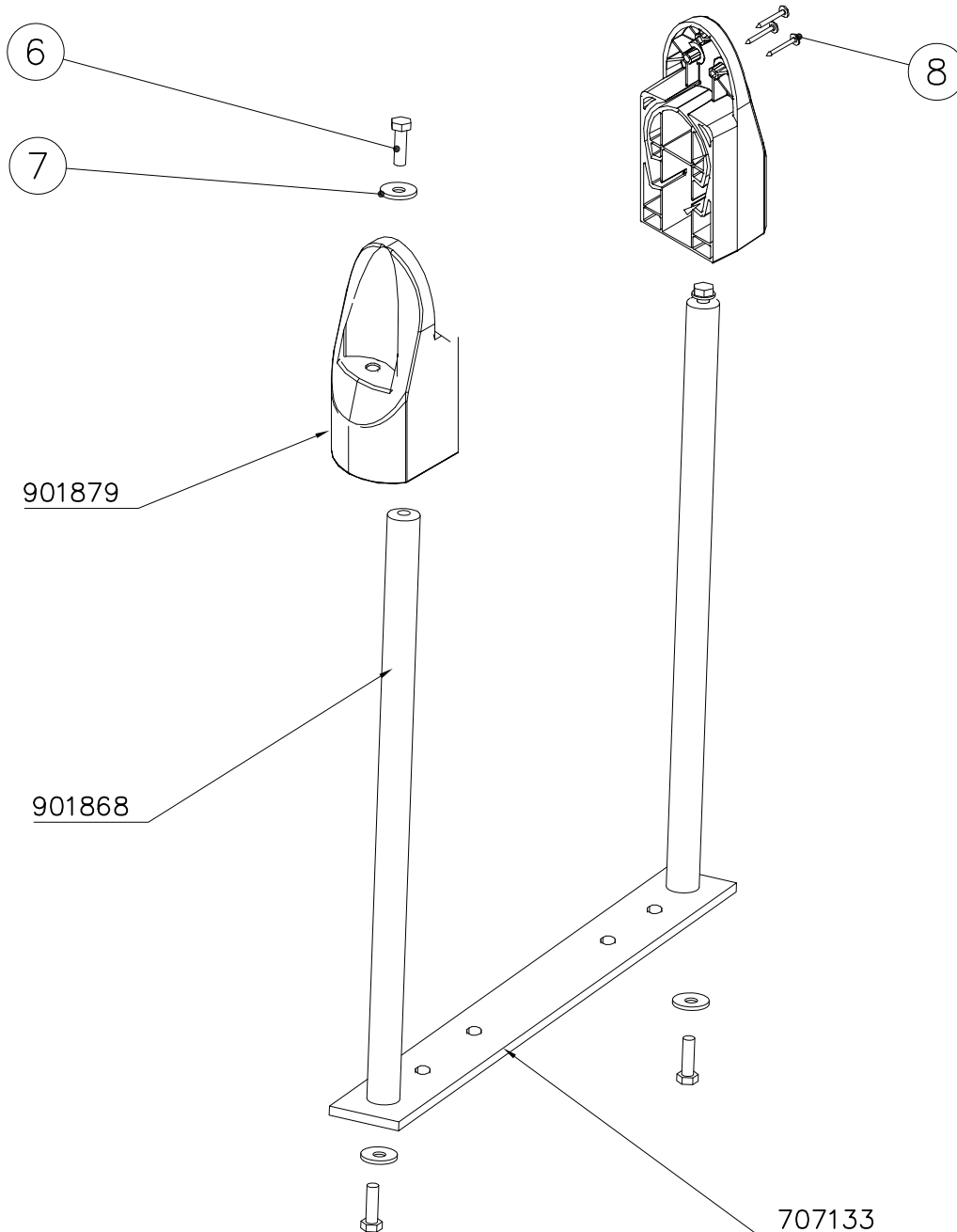
DEEP FOUNDATION

SLIDE WOOD

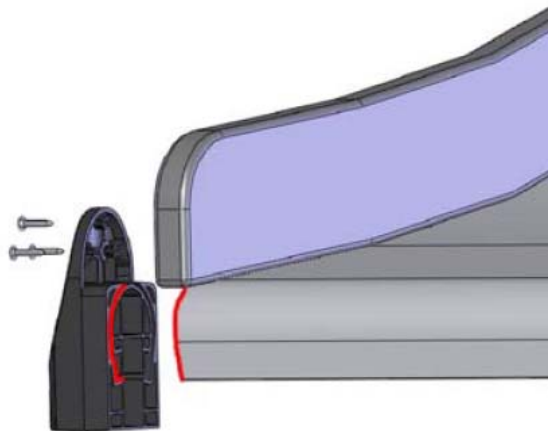
DATE: 3.11.2017

4(5)

| | | | | | | | | | | | |
|--|-----|---|-----|---|-----|---|-----|--|-----|---|-----|
| ○ 707133 | PCS | ○ 901868 | PCS | ○ 901879 | PCS | ⑥ 909210 | PCS | ⑦ 905051 | PCS | ⑧ 980128 | PCS |
|  | 1 |  | 2 |  | 2 |  | 4 |  | 4 |  | 6 |
| 10x80x745 | | Ø30x598 | | | | M8x40 | | Ø24/8.4 | | Ø7x40 | |



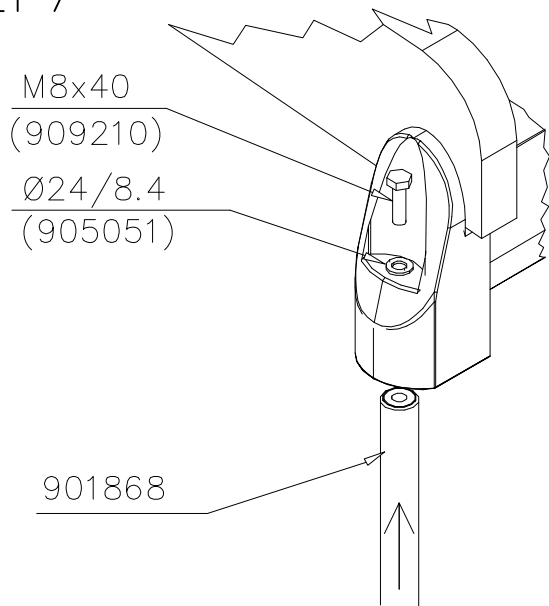
DET 6



Insert sheet metal IN to the plastic cover.

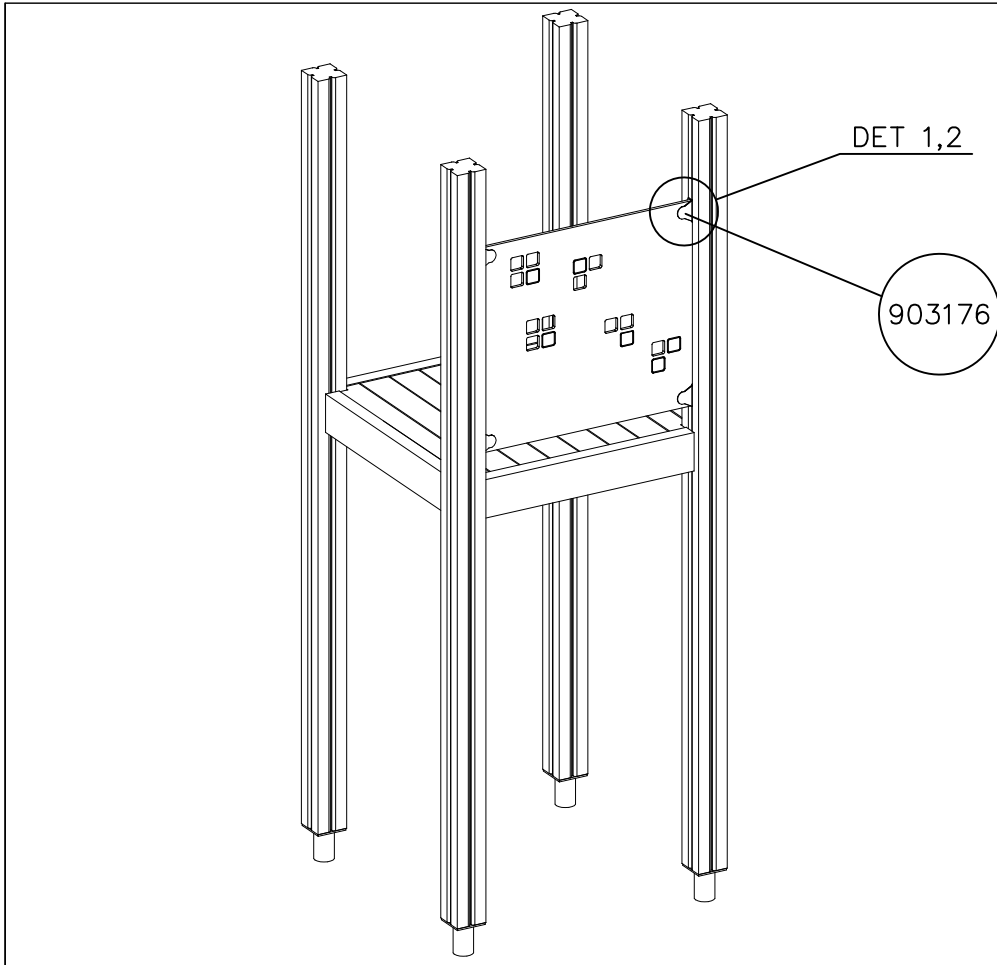


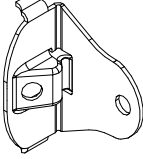
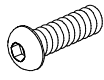
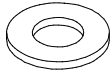
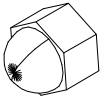

DET 7

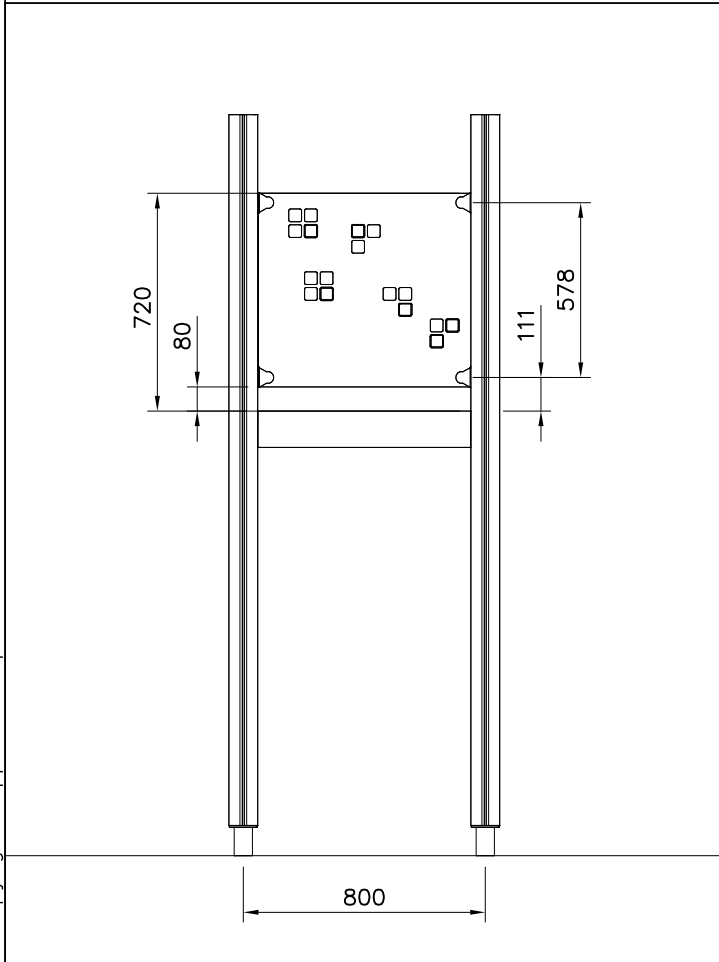


DET 8

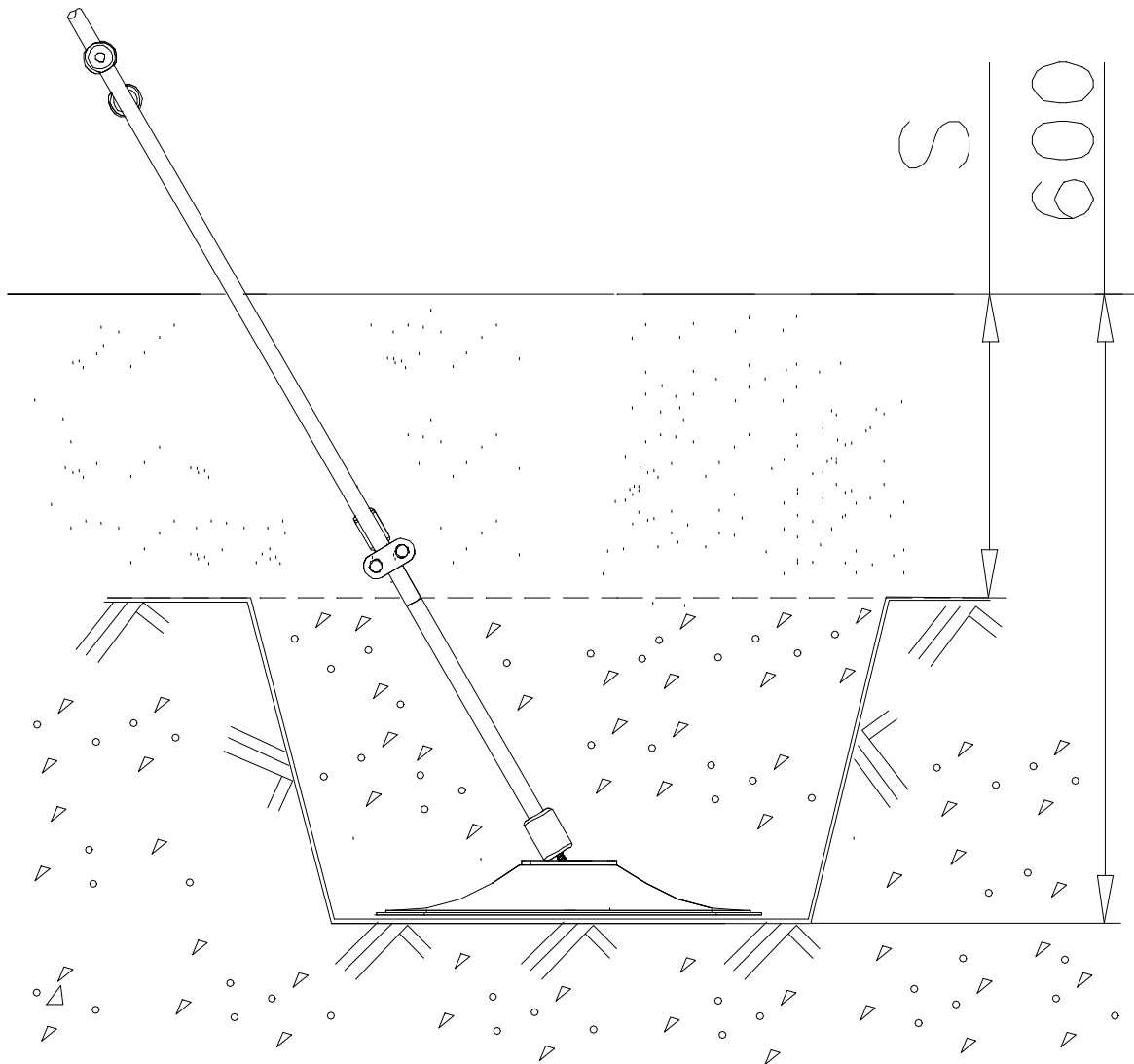
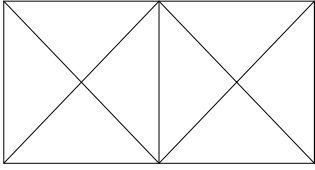




| | | | |
|---|-----|---|-----|
| ① 903176 | PCS | ② 909850 | PCS |
|  | 4 |  | 4 |
| | | M8x25 | |
| ③ 909256 | PCS | ④ 909633 | PCS |
|  | 8 |  | 4 |
| Ø16/8.4x1.6 | | M8 | |
| ⑤ 980123 | PCS | | PCS |
|  | 4 | | |
| Ø7x60 | | | |
| | PCS | | PCS |





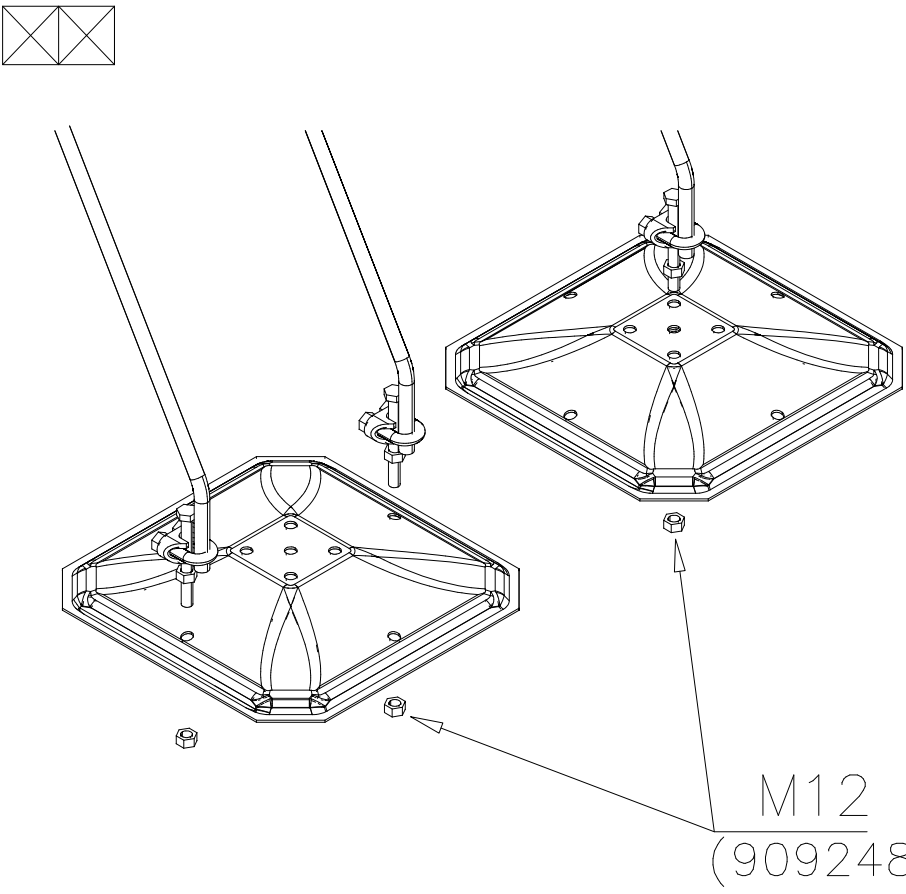


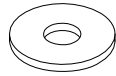
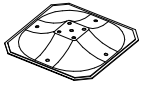
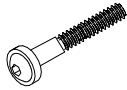


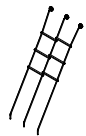
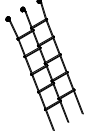
LAPPSET® DEEP FOUNDATION

ROPE LADDER

DATE: 30.6.2016

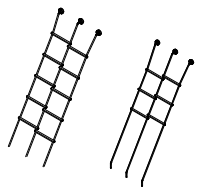
1(1)



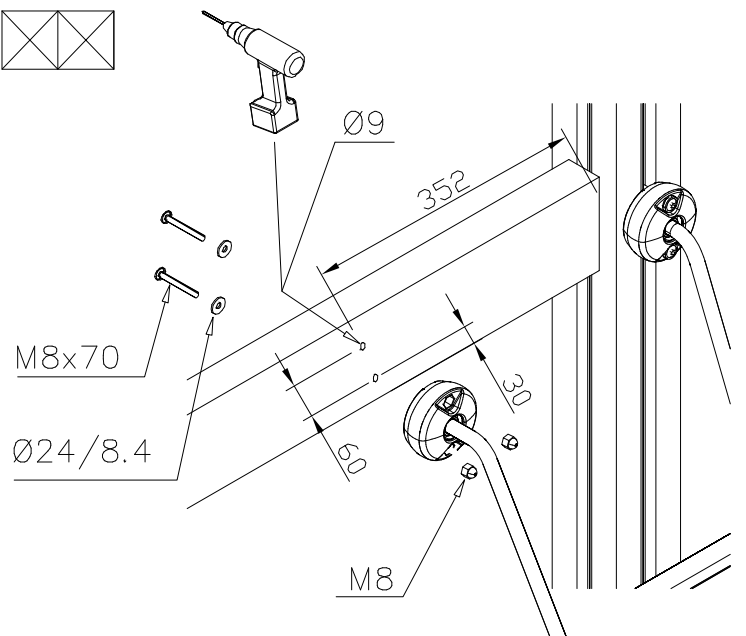
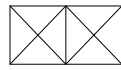
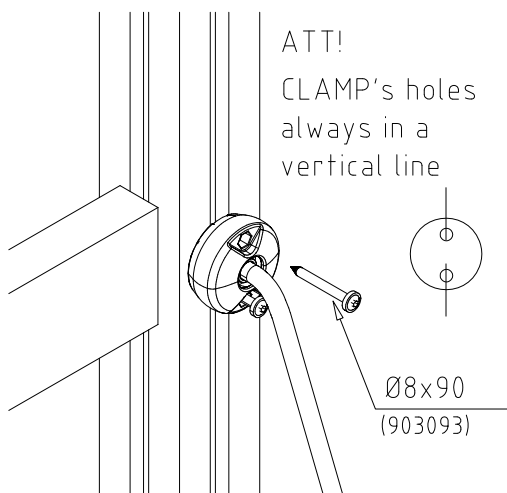
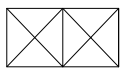
| | | | | | |
|---|---|-----|---|--------|-----|
| ① | 905051 | PCS | ② | 909519 | PCS |
| |  | 2 |  | | 2 |
| | Ø24/8.4 | | 50x380x380 | | |
| ③ | 909867 | PCS | ④ | 909633 | PCS |
| |  | 2 |  | | 2 |
| | M8x70 | | M8 | | |
| ⑤ | 903093 | PCS | | | PCS |
| |  | 4 | | | |
| | Ø8x90 | | | | |
| ○ | 706462 | PCS | ○ | 707393 | PCS |
| |  | 1 |  | | 1 |
| | +1470 | | +1970 | | |

M12
(909248)

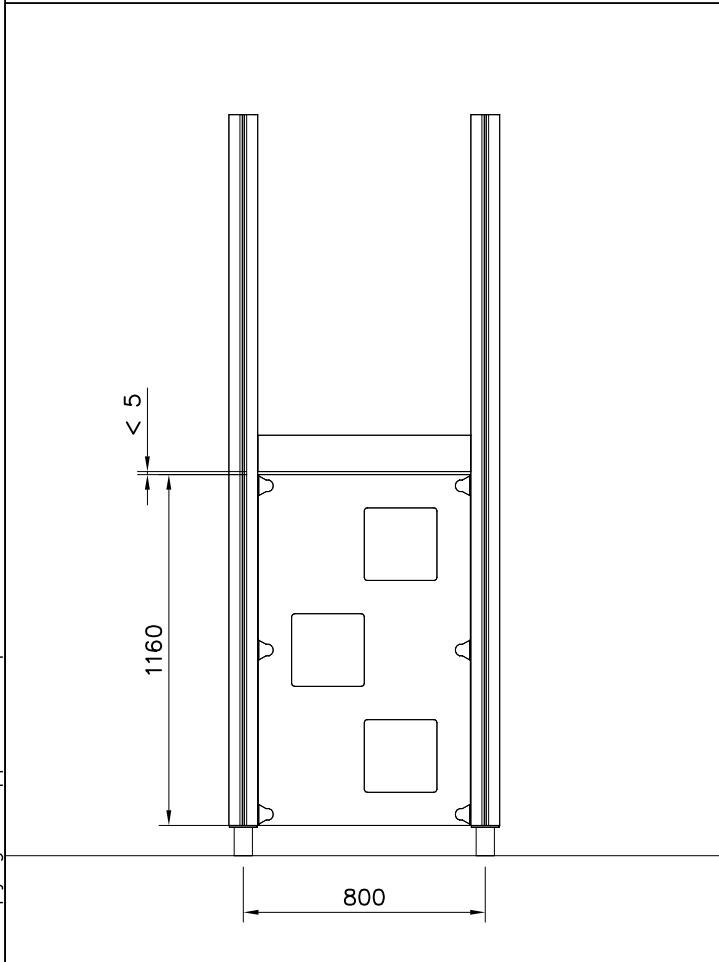
ROPE LADDER COLOR OPTIONS



| | |
|------------|--------|
| xxxxxx-301 | BLUE |
| xxxxxx-302 | RED |
| xxxxxx-303 | BEIGE |
| xxxxxx-304 | GRAY |
| xxxxxx-305 | BLACK |
| xxxxxx-306 | YELLOW |

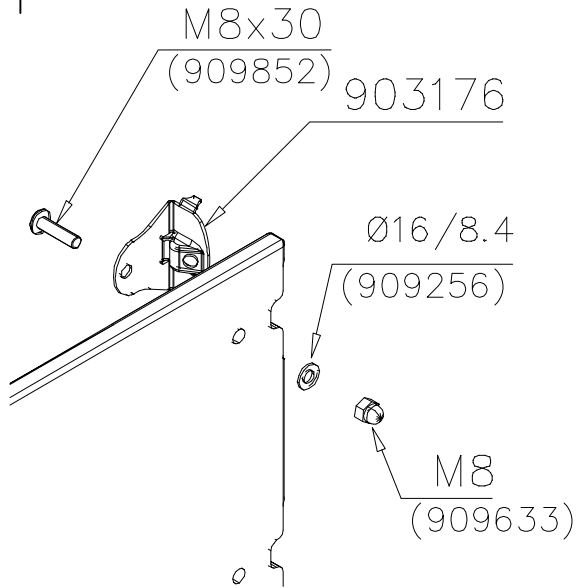


| | | | |
|-------------|-----|----------|-----|
| ① 903176 | PCS | ② 909852 | PCS |
| | 6 | | 6 |
| | | M8x30 | |
| ③ 909256 | PCS | ④ 909633 | PCS |
| | 6 | | 6 |
| Ø16/8.4x1.6 | | M8 | |
| ⑤ 980123 | PCS | | PCS |
| | 6 | | |
| Ø7x60 | | | |
| | PCS | | PCS |

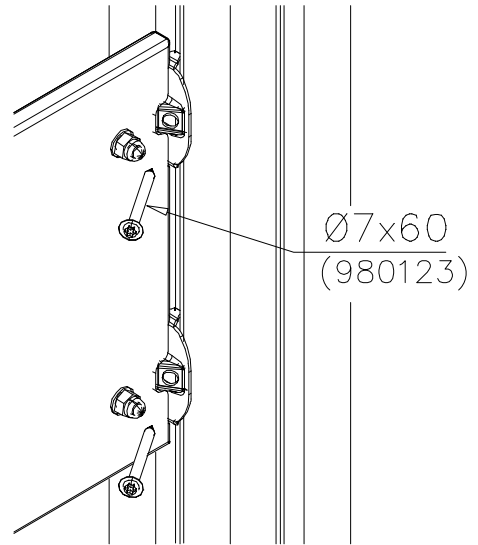


| WALL OPTIONS | | |
|--------------|------------|------------|
| 706507 | 706507-701 | BLUE |
| | 706507-702 | YELLOW |
| | 706507-703 | LIME |
| | 706507-704 | DARK GRAY |
| | 706507-705 | LIGHT GRAY |
| | 706507-706 | RED |
| | 706507-707 | GREEN |
| | 706507-708 | FUXIA |
| 20x702x1160 | | |
| | | |
| | | |

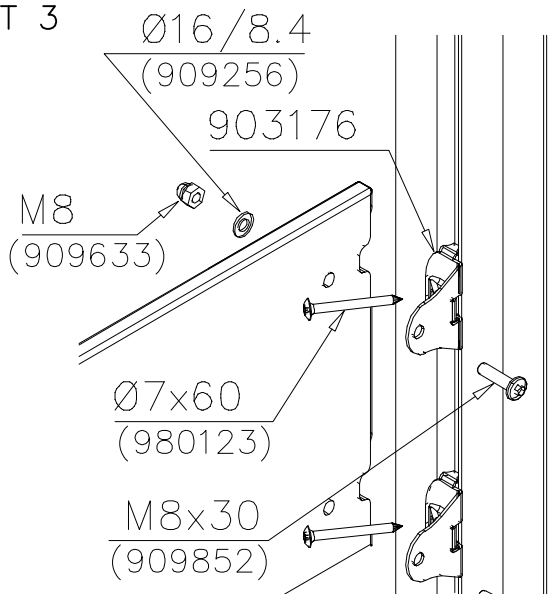
DET 1

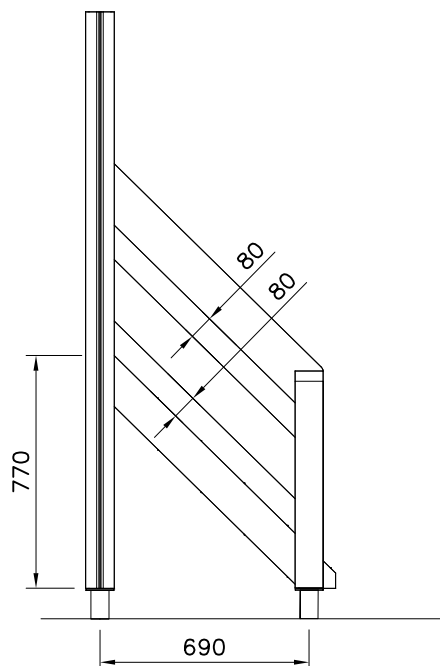
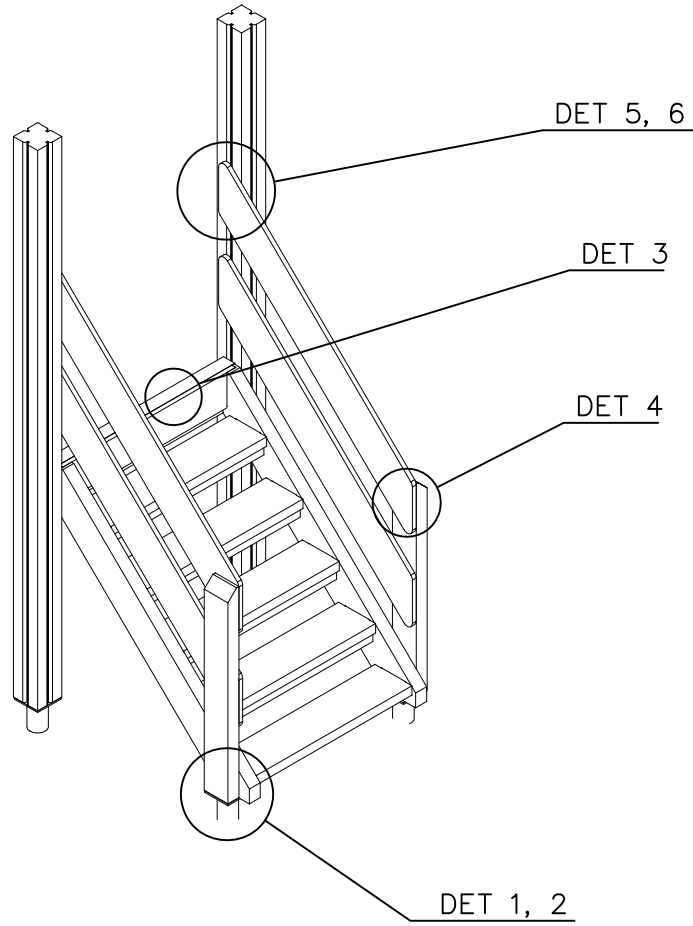


DET 2

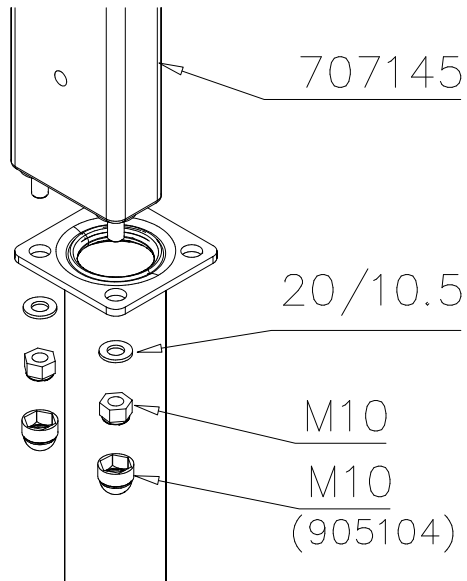


DET 3

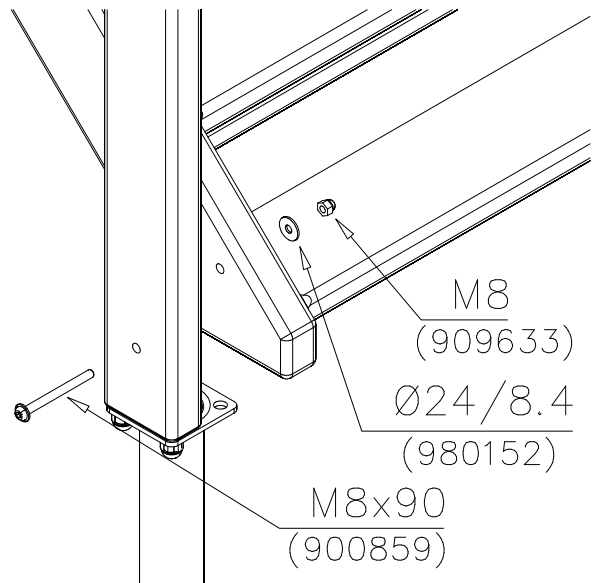




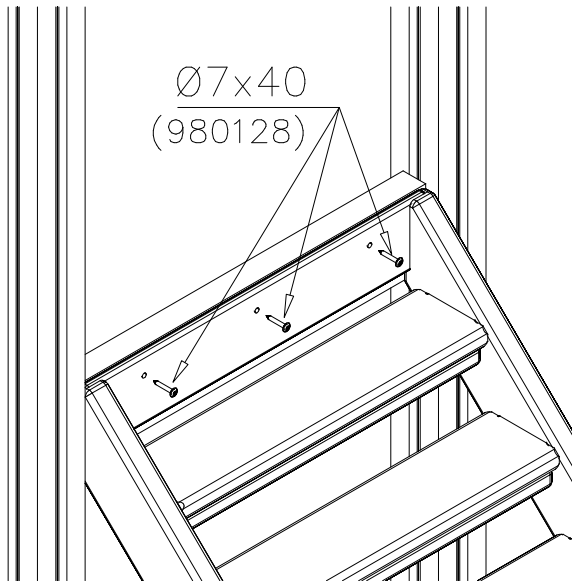
DET 1



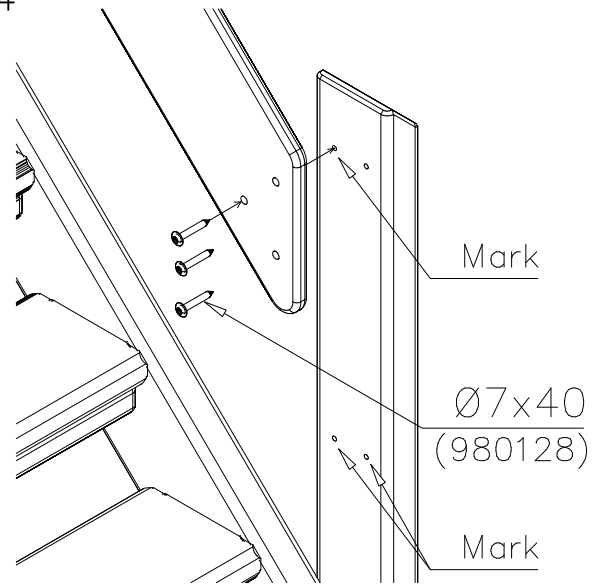
DET 2



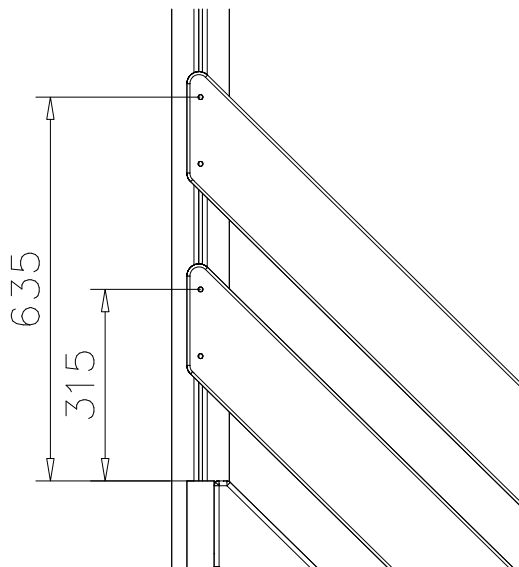
DET 3



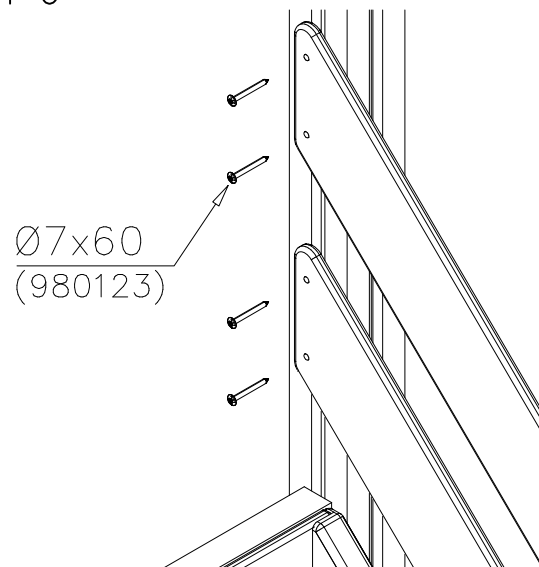
DET 4

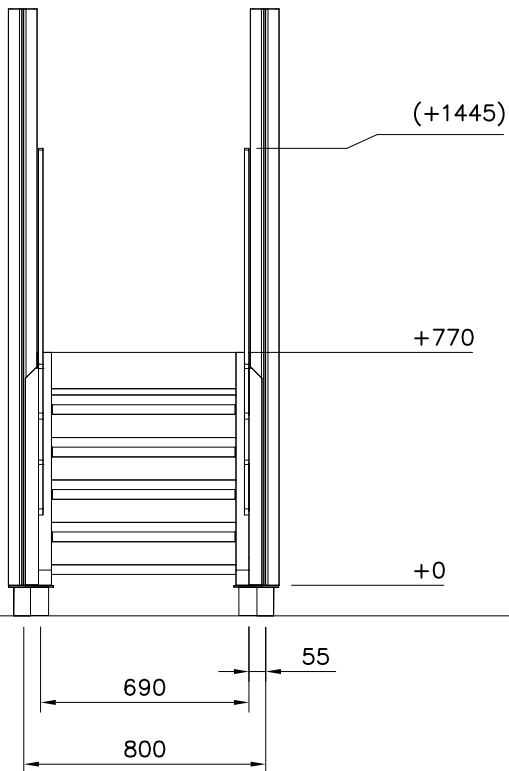


DET 5




DET 6







STAIRS OPTIONS +870

| | | | |
|--------|---|--|--|
| 707191 |  | 707191-602 DARK BROWN 707191-603 LIGHT BROWN 707191-604 LIGHT GRAY | |
|--------|---|--|--|

RAILING OPTIONS




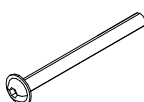
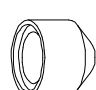
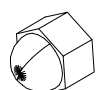
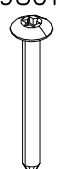


| | | | |
|-----------------|---|--|--------------------------------------|
| RAILS 707146 |  | 707146-701 BLUE 707146-702 YELLOW 707146-703 LIME 707146-704 DARK GRAY 707146-705 LIGHT GRAY 707146-706 RED | 707146-707 GREEN 707146-708 FUXIA |
|-----------------|---|--|--------------------------------------|

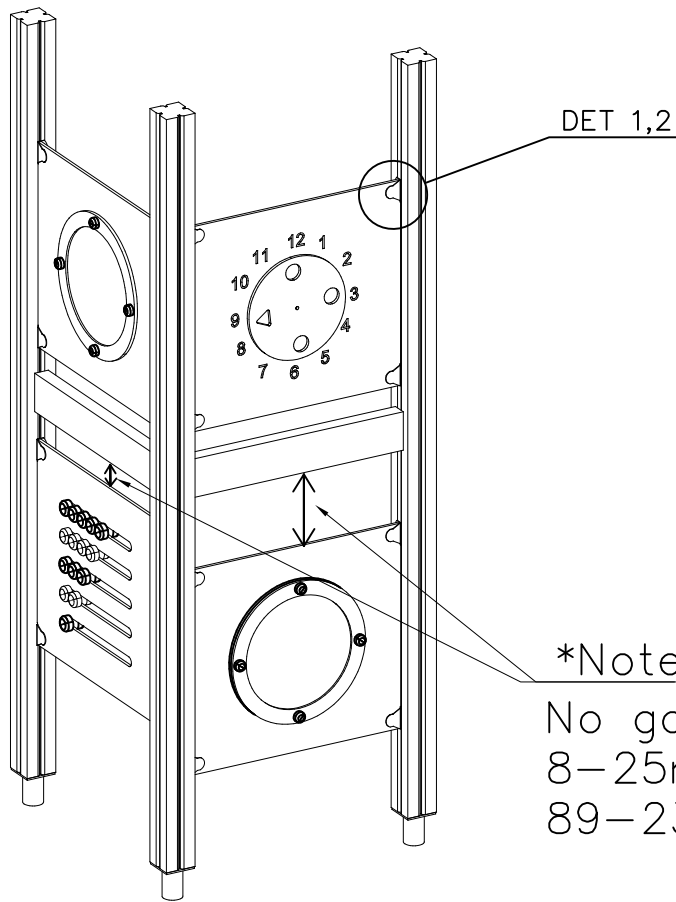
| | | | |
|----------------|--|--|--|
| POST 707145 |  | 707145-602 DARK BROWN 707145-603 LIGHT BROWN 707145-604 LIGHT GRAY | |
|----------------|--|--|--|

POST OPTIONS

| | | | |
|--|--|--|--|
| | | | |
|--|--|--|--|

| | | | |
|--|--|--|--|
| | | | |
|--|--|--|--|

| | | | | | | | | | | | | | | | | | |
|---|--------|-----|---|--------|-----|---|--------|-----|--|--------|-----|---|--------|-----|---|--------|-----|
| ① | 707191 | PCS | ② | 707145 | PCS | ③ | 707146 | PCS | ④ | 900859 | PCS | ⑤ | 905104 | PCS | ⑥ | 909633 | PCS |
|  | | 1 |  | | 2 |  | | 4 |  | | 2 |  | | 4 |  | | 2 |
| +870 | | | 43x93x717 | | | 15x145x1153 | | | M8x90 | | | M10 | | | M8 | | |
| ⑦ | 980123 | PCS | ⑧ | 980128 | PCS | ⑨ | 980152 | PCS | | PCS | | PCS | | PCS | | PCS | |
|  | | 8 |  | | 15 |  | | 2 | | | | | | | | | |
| Ø7x60 | | | Ø7x40 | | | Ø24/8.4x2 | | | | | | | | | | | |



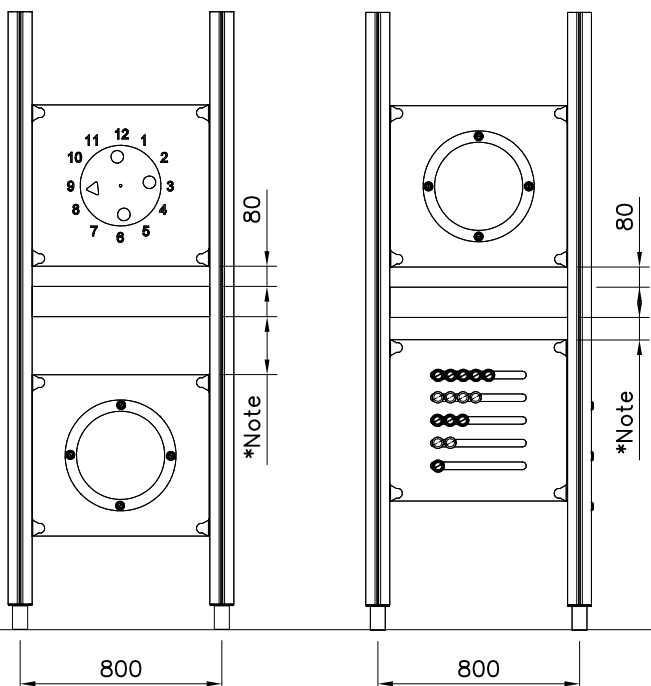
| | | | |
|-------------|-----|----------|-----|
| ① 903176 | PCS | ② 909850 | PCS |
| | 4 | | 4 |
| | | M8x25 | |
| ③ 909256 | PCS | ④ 909633 | PCS |
| | 8 | | 4 |
| Ø16/8.4x1.6 | | M8 | |
| ⑤ 980123 | PCS | | PCS |
| | 4 | | |
| Ø7x60 | | | |

*Note:

No gaps between:
8–25mm
89–230mm

COLOR OPTIONS

| | |
|------|------------|
| -701 | BLUE |
| -702 | YELLOW |
| -703 | LIME |
| -704 | DARK GRAY |
| -705 | LIGHT GRAY |
| -706 | RED |
| -707 | GREEN |
| -708 | FUXIA |



GAME WALL OPTIONS

| | | | |
|---|---|--|--|
| 706766 | 706772 | 706308 | 707453 |
|  |  |  |  |
| 640x702 | 640x702 | 640x702 | 640x702 |
| 707209 | 705705 | 707433 | 707386 |
|  |  |  |  |
| 640x702 | 640x702 | 640x702 | 640x702 |
| 709403 | 709358 | 709405 | |
|  |  |  | |
| 640x702 | 640x702 | 420x702 | |

DET 1

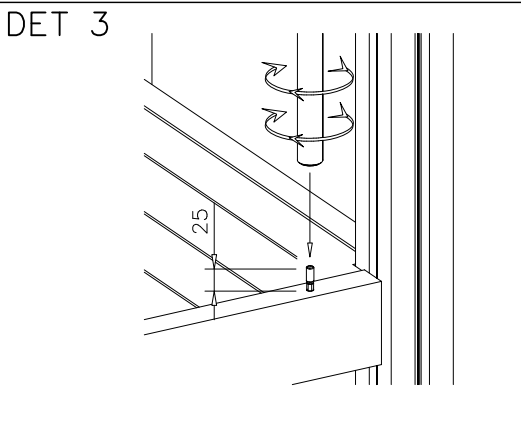
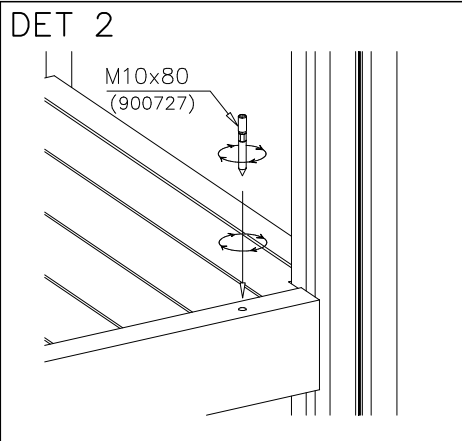
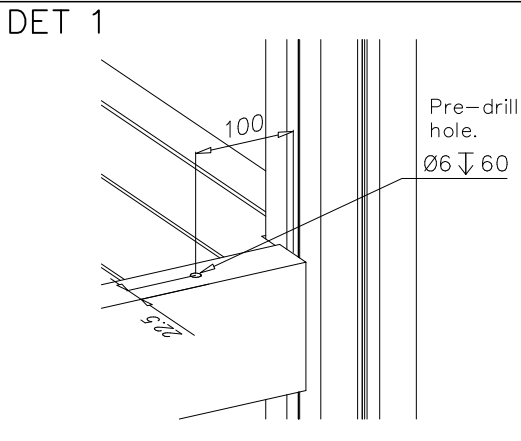


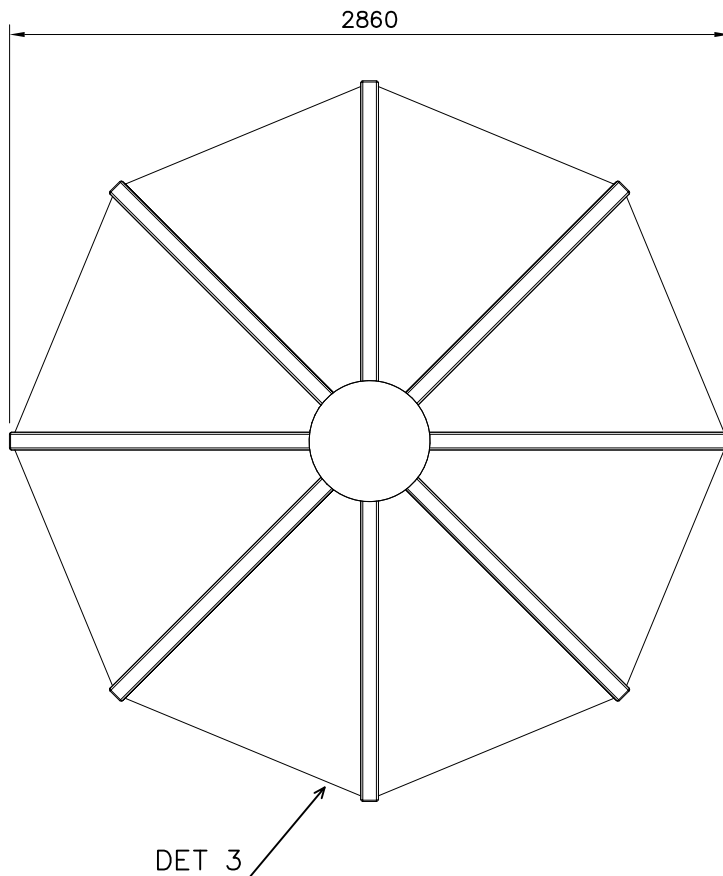
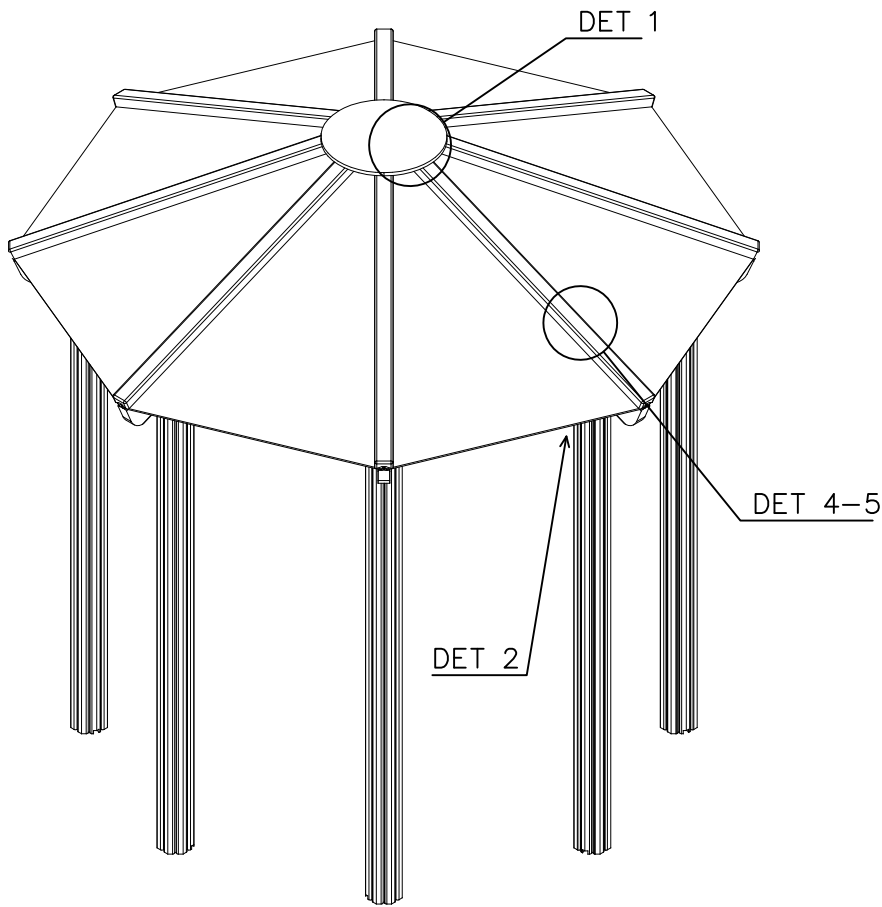
DET 2




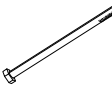




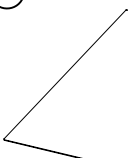
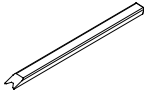







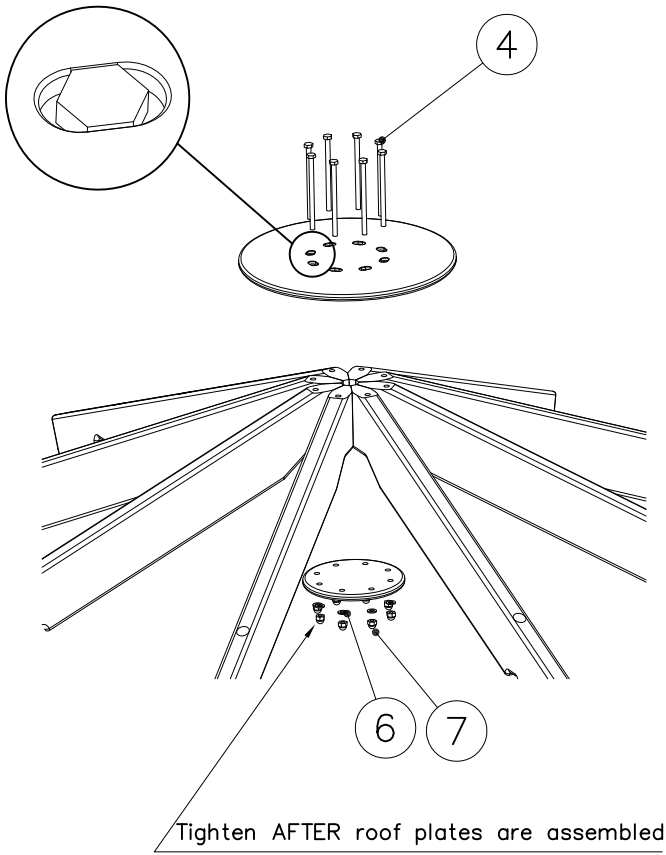
| | | | |
|---|-----|---|-----|
| ① 900240 | PCS | ② 900727 | PCS |
|  | 1 |  | 1 |
| Ø8x70 | | M10x80 | |
| | PCS | | PCS |
| | | | |
| | | | |
| ③ 907688 | PCS | ③ 907701 | PCS |
|  | 1 |  | 1 |
| 765 | | 545 | |
| | PCS | | PCS |
| | | | |
| | | | |
| | PCS | | PCS |
| | | | |
| | | | |
| | | | |
| | PCS | | PCS |
| | | | |
| | | | |
| | | | |
| | PCS | | PCS |
| | | | |
| | | | |



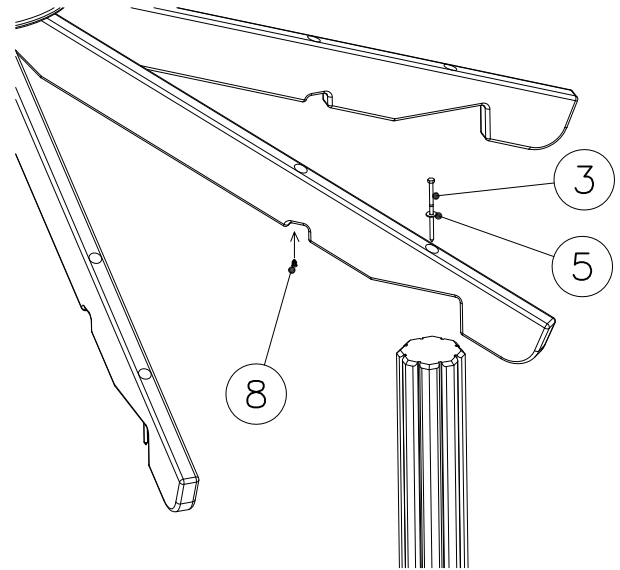


| | | | | | |
|---|---|-----|---|---|-----|
| ① | 980100 | PCS | ② | 980104 | PCS |
| | | 48 | | | 32 |
| |  | | |  | |
| | Ø5x60 | | | Ø5x90 | |
| ③ | 909230 | PCS | ④ | 900208 | PCS |
| | | 8 | | | 8 |
| |  | | |  | |
| | 8x150 | | | M10x170 | |
| ⑤ | 905051 | PCS | ⑥ | 901302 | PCS |
| | | 8 | | | 8 |
| |  | | |  | |
| | Ø24/8.4 | | | Ø20/10.5 | |
| ⑦ | 900965 | PCS | ⑧ | 903533 | PCS |
| | | 8 | | | 8 |
| |  | | |  | |
| | M10 | | | SRL12 TO Ø9 | |
| | | PCS | | | PCS |
| | | | | | |
| ○ | 707667 | PCS | ○ | 707688 | PCS |
| | | 8 | | | 8 |
| |  | | |  | |
| | 10x1295x1075 | | | 45x70x1385 | |
| ○ | 707689 | PCS | ○ | 707691 | PCS |
| | | 8 | | | 1 |
| |  | | |  | |
| | 45x145x1495 | | | 15xØ480 | |
| ○ | 707692 | PCS | | | PCS |
| | | 1 | | | |
| |  | | | | |
| | 15xØ225 | | | | |

DET 1

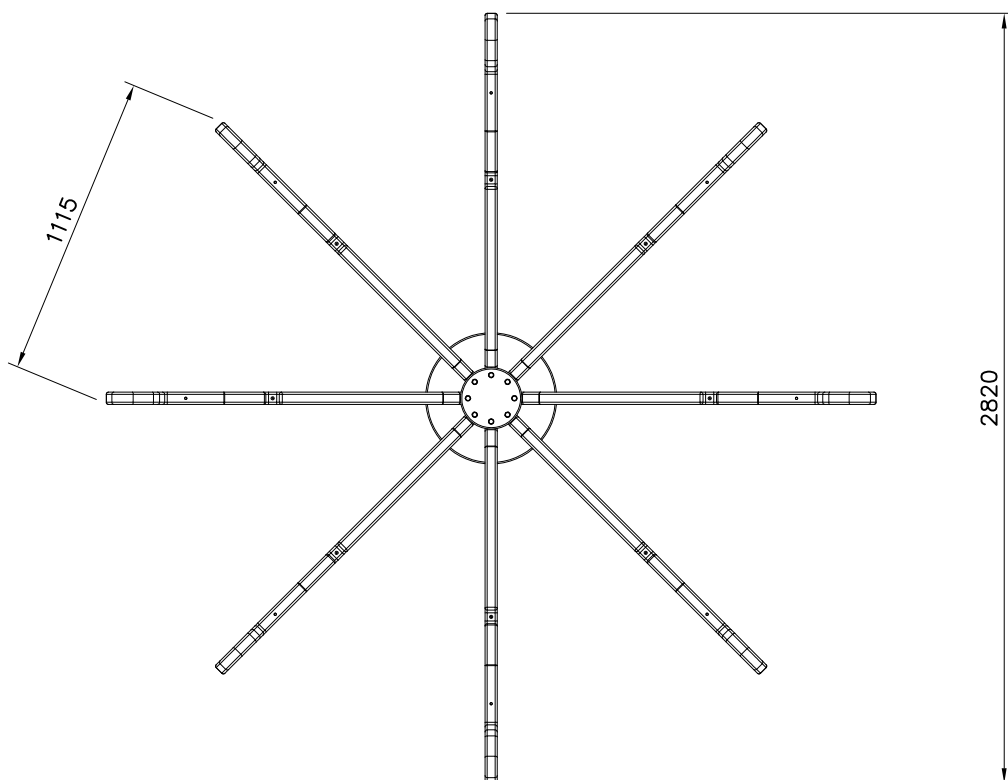


DET 2

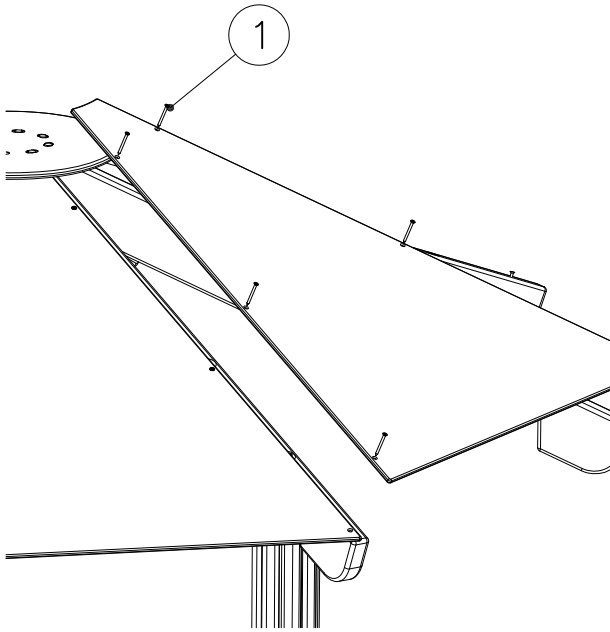


DET 3

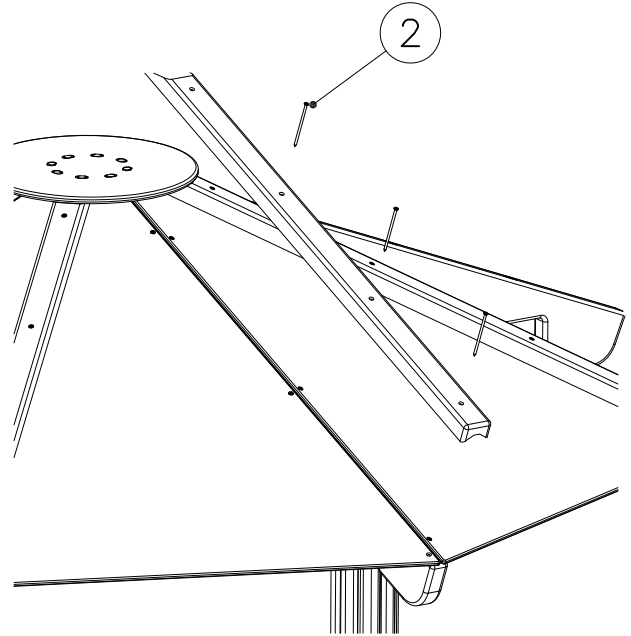
Check measures



DET 4



DET 5





Tuotekyltti tulee tuotteen mukana yhdellä seuraavista tavoista:

1) Metallinen tuotekyltti ja kiinnitysruuvit

- Kiinnitä tuotekyltti ruuveilla tolppaan noin 2 metrin korkeuteen kuvan 1 mukaisesti.

2) Tuotekylttitarra

- Puhdista maalattu metalli- tai vaneripinta pölystä ja kosteudesta. Liimaa tarra kuvan 2 mukaisesti.
- Huom. Älä kiinnitä tarraa karheapintaiseen laminaattiin tai maalattuun puuhun.

Vår produktmärkning levereras på ett av följande sätt:

1) Produktskylt i metall

- Fäst skylten med de medföljande skruvarna

2) Självhäftande produktetikett

- Rengör den pulverlackerade metallytan eller laminatyten så att den blir fri från smuts och fukt. Fäst etiketten enligt fig. 2.
- Obs! Fäst ej etiketten på detaljer med skrovlig yta eller på målat trä.

Product label is delivered by one of following ways:

1) Metal product label and screws

- Fasten the label with screws.

2) Label sticker

- Clean the painted metal or plywood surface from dirt and moisture. Fasten the sticker as shown in the figure 2.
- Note. Do not attach the sticker to rough surfaced laminate or painted wood.

La plaque d'informations produit est livrée sous l'une de ces 3 formes :

1) Plaque métallique et vis

- Fixez la plaque à l'aide des vis.

2) Etiquette autocollante

- Avant de coller l'étiquette, nettoyez le composant métallique peint ou la plaque de contreplaqué, de toute saleté. La surface doit être sèche (voir image 2).
- Attention, ne pas coller l'étiquette sur une surface lamellé-collée irrégulière ou sur du bois peint.

Die Auslieferung des Produktaufklebers erfolgt auf eine dieser Arten:

1) Produkt-Schild aus Metall incl. Schrauben

- Die Befestigung des Schildes erfolgt mittels der Schrauben.

2) Aufkleber

- Entfernen Sie zunächst Schmutz und Feuchtigkeit vom lackierten Metall bzw. von der Holzoberfläche und bringen Sie den Aufkleber wie im Bild oben rechts beschrieben auf den gesäuberten Untergrund auf.
- Beachten Sie: Bringen Sie den Aufkleber nicht auf raues laminiertes oder lackiertes Holz an.