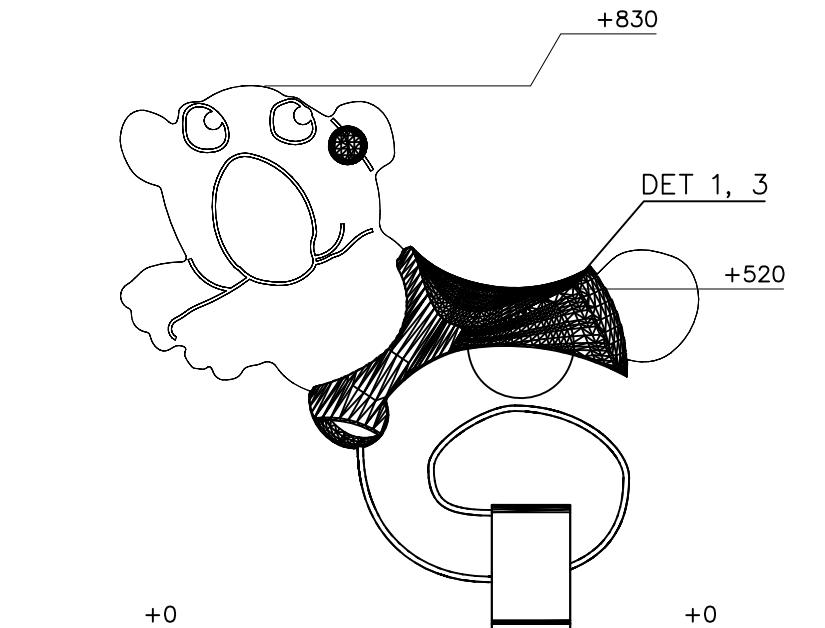
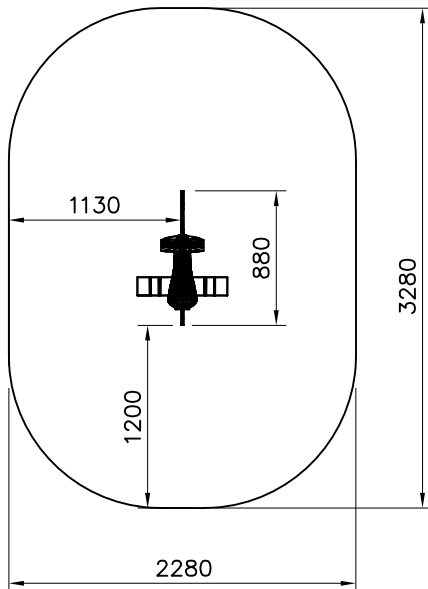
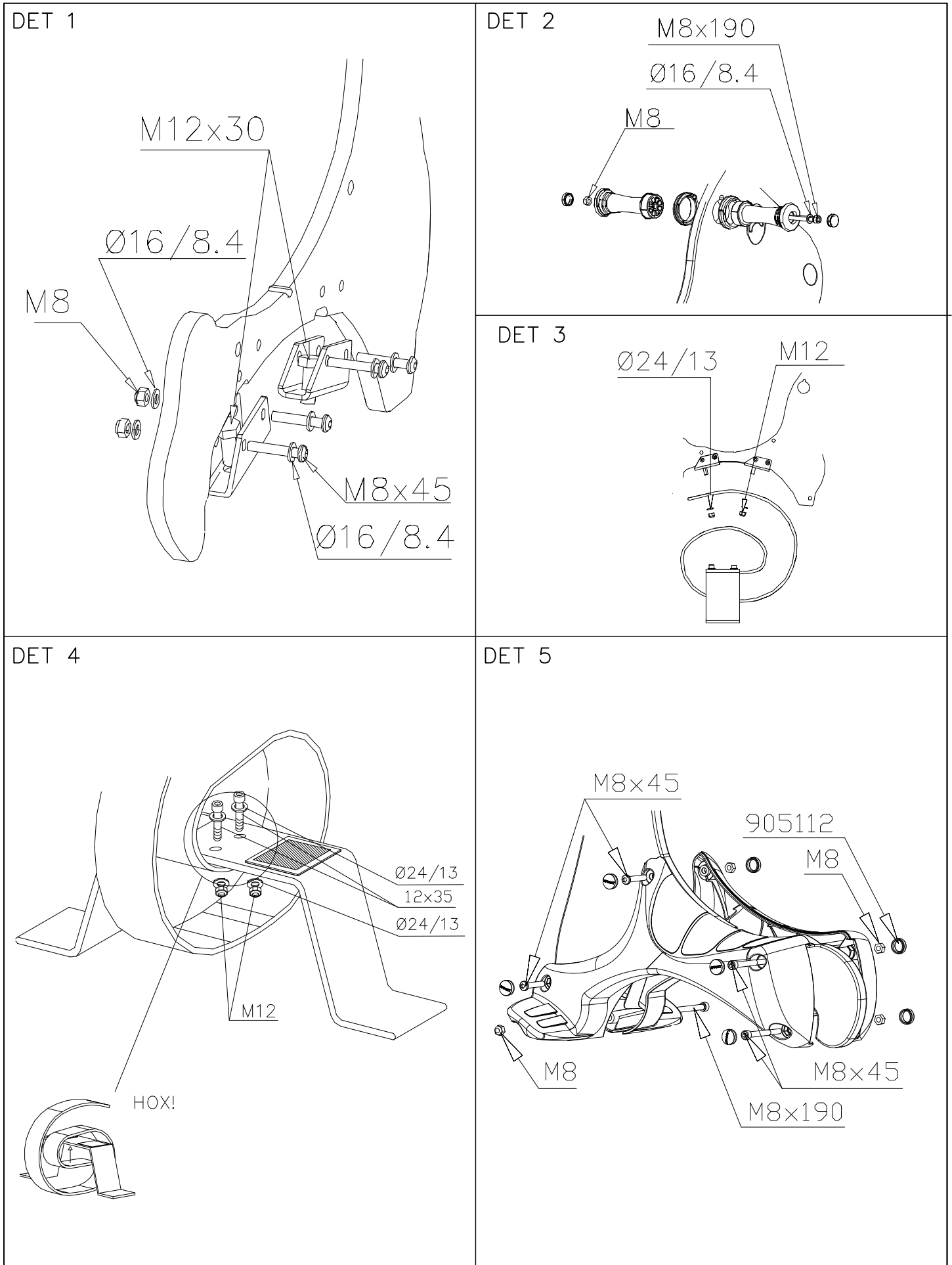
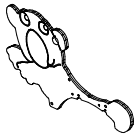
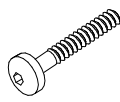
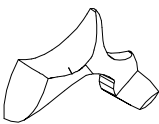
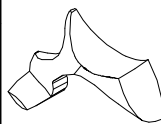

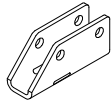
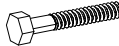
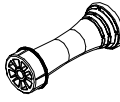

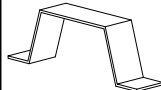


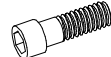
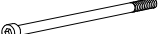
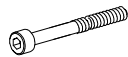





——— EN Impact Area 6.2 m²
 - - - Falling Space 6.2 m²
 Max Falling Height 520 mm





| | | | | | | |
|--|--|--|---|--|---|--|
| | | <p>① P07551 PCS</p>  <p>1</p> | <p>② 901899 PCS</p>  <p>M8x45</p> <p>6</p> | <p>③ 902095 PCS</p>  <p>RIGHT</p> <p>1</p> | <p>④ 902133 PCS</p>  <p>LEFT</p> <p>1</p> | <p>⑤ 902211 PCS</p>  <p>2</p> |
| <p>⑥ 902303 PCS</p>  <p>2</p> | <p>⑦ 903250 PCS</p>  <p>M12x30</p> <p>2</p> | <p>⑧ 905023 PCS</p>  <p>2</p> | <p>⑨ 905032 PCS</p>  <p>8,5x90</p> <p>1</p> | <p>⑩ 905106 PCS</p>  <p>590x190x120</p> <p>1</p> | <p>⑪ 905112 PCS</p>  <p>Ø22</p> <p>10</p> | |
| <p>⑫ 906511 PCS</p>  <p>M12</p> <p>4</p> | <p>⑬ 909146 PCS</p>  <p>M12x35</p> <p>2</p> | <p>⑭ 909195 PCS</p>  <p>M8x190</p> <p>2</p> | <p>⑮ 909340 PCS</p>  <p>M8x80</p> <p>2</p> | <p>⑯ 980150 PCS</p>  <p>M8</p> <p>10</p> | <p>⑰ 980151 PCS</p>  <p>Ø16/8.4</p> <p>9</p> | |
| <p>⑱ 980154 PCS</p>  <p>Ø24/13</p> <p>6</p> | | | | | | |

| | | | | | | | | | | | | |
|---|--|---|-----------------|-----------------|----------------|---------|----------------|---------|----------------|-------|----------------|---|
|  | | | | | | | | | | | | |
| <p>$h < 600$</p> <p>Without movement and therefore without Impact Area</p> | <p>Totally hard surfaces.</p> <p>Note. Lappset does <u>not recommend</u> totally hard surfaces at all.</p> | <p>E.g. concrete or asphalt</p>  | | | | | | | | | | |
| <p>$h < 600$</p> <p>With movement e.g. rocking</p> | <p>Materials with very limited impact attenuating properties.</p> | <p>E.g. wood</p>  | | | | | | | | | | |
| <p>$h < 1000$</p> | <p>Materials with significant impact attenuating properties.</p> | <p>fine gravel 0–8 mm</p>  <p>grass</p>  <p>unsorted sand</p>  | | | | | | | | | | |
| <p>$h < 3000$</p> | <p>Loose fill material</p> <p>E.g. sand/gravel 0,25...8 mm D60/D10<3,0 Woodchips 5...30 mm bark 20...80 mm</p> |  <table data-bbox="1021 1691 1332 1792"> <tr> <td>\underline{S}</td> <td>\underline{h}</td> </tr> <tr> <td>30 cm</td> <td>< 2,0 m</td> </tr> <tr> <td>40 cm</td> <td>< 3,0 m</td> </tr> </table> | \underline{S} | \underline{h} | 30 cm | < 2,0 m | 40 cm | < 3,0 m | | | | |
| \underline{S} | \underline{h} | | | | | | | | | | | |
| 30 cm | < 2,0 m | | | | | | | | | | | |
| 40 cm | < 3,0 m | | | | | | | | | | | |
| | <p>Syntethic granulates</p> <table data-bbox="406 1892 758 2060"> <tr> <td>\underline{S}</td> <td>\underline{h}</td> </tr> <tr> <td>40 mm</td> <td>~> 1,2...1,3 m</td> </tr> <tr> <td>50 mm</td> <td>~> 1,5...1,7 m</td> </tr> <tr> <td>60 mm</td> <td>~> 1,8...2,0 m</td> </tr> <tr> <td>70 mm</td> <td>~> 2,1...2,5 m</td> </tr> </table> <p>Note. For accurate values, see manufacturer's instructions.</p> | \underline{S} | \underline{h} | 40 mm | ~> 1,2...1,3 m | 50 mm | ~> 1,5...1,7 m | 60 mm | ~> 1,8...2,0 m | 70 mm | ~> 2,1...2,5 m |  |
| \underline{S} | \underline{h} | | | | | | | | | | | |
| 40 mm | ~> 1,2...1,3 m | | | | | | | | | | | |
| 50 mm | ~> 1,5...1,7 m | | | | | | | | | | | |
| 60 mm | ~> 1,8...2,0 m | | | | | | | | | | | |
| 70 mm | ~> 2,1...2,5 m | | | | | | | | | | | |

REMOVE SAFETY SURFACE/SAND/GRAVEL
TO CHECK FOUNDATION



REMOVE SAFETY SURFACE/SAND/GRAVEL
TO CHECK FOUNDATION



**Tuotekyltti tulee tuotteen mukana yhdellä seuraavista tavoista:****1) Metallinen tuotekyltti ja kiinnitysruuvit**

- Kiinnitä tuotekyltti ruuveilla tolppaan noin 2 metrin korkeuteen kuvan 1 mukaisesti.

2) Tuotekylttitarra

- Puhdista maalattu metalli- tai vaneripinta pölystä ja kosteudesta. Liimaa tarra kuvan 2 mukaisesti.
- Huom. Älä kiinnitä tarraa karheapintaiseen laminaattiin tai maalattuun puuhun.

Vår produktmärkning levereras på ett av följande sätt:**1) Produktskylt i metall**

- Fäst skylten med de medföljande skruvarna

2) Självhäftande produktetikett

- Rengör den pulverlackerade metallytan eller laminatyten så att den blir fri från smuts och fukt. Fäst etiketten enligt fig. 2.
- Obs! Fäst ej etiketten på detaljer med skrovlig yta eller på målat trä.

Product label is delivered by one of following ways:**1) Metal product label and screws**

- Fasten the label with screws.

2) Label sticker

- Clean the painted metal or plywood surface from dirt and moisture. Fasten the sticker as shown in the figure 2.
- Note. Do not attach the sticker to rough surfaced laminate or painted wood.

La plaque d'informations produit est livrée sous l'une de ces 3 formes :**1) Plaque métallique et vis**

- Fixez la plaque à l'aide des vis.

2) Etiquette autocollante

- Avant de coller l'étiquette, nettoyez le composant métallique peint ou la plaque de contreplaqué, de toute saleté. La surface doit être sèche (voir image 2).
- Attention, ne pas coller l'étiquette sur une surface lamellé-collée irrégulière ou sur du bois peint.

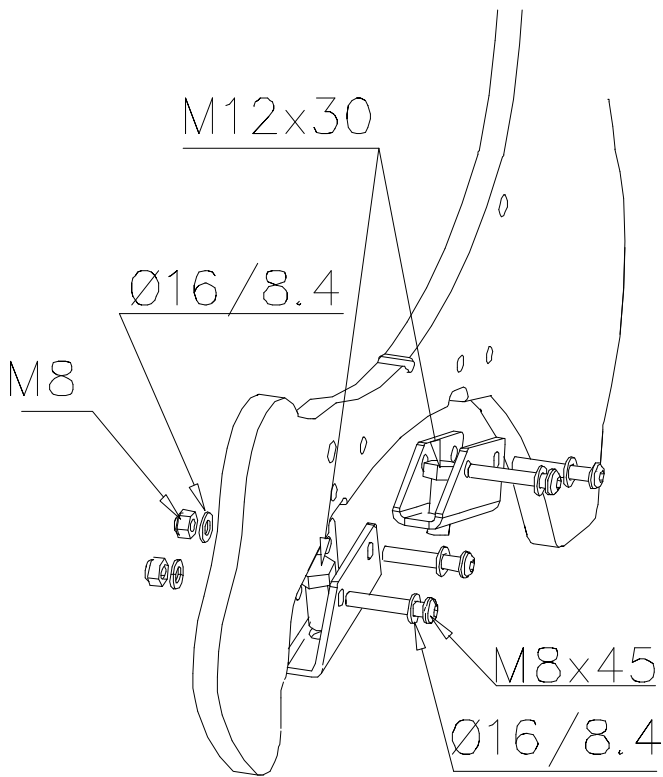
Die Auslieferung des Produktaufklebers erfolgt auf eine dieser Arten:**1) Produkt-Schild aus Metall incl. Schrauben**

- Die Befestigung des Schildes erfolgt mittels der Schrauben.

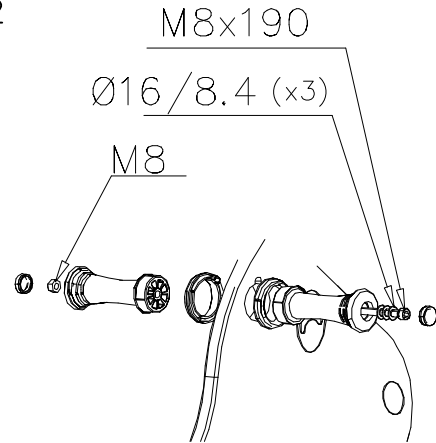
2) Aufkleber

- Entfernen Sie zunächst Schmutz und Feuchtigkeit vom lackierten Metall bzw. von der Holzoberfläche und bringen Sie den Aufkleber wie im Bild oben rechts beschrieben auf den gesäuberten Untergrund auf.
- Beachten Sie: Bringen Sie den Aufkleber nicht auf raues laminiertes oder lackiertes Holz an.

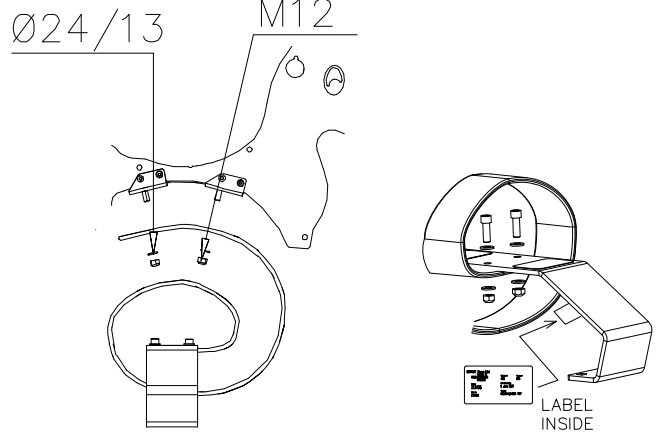
DET 1



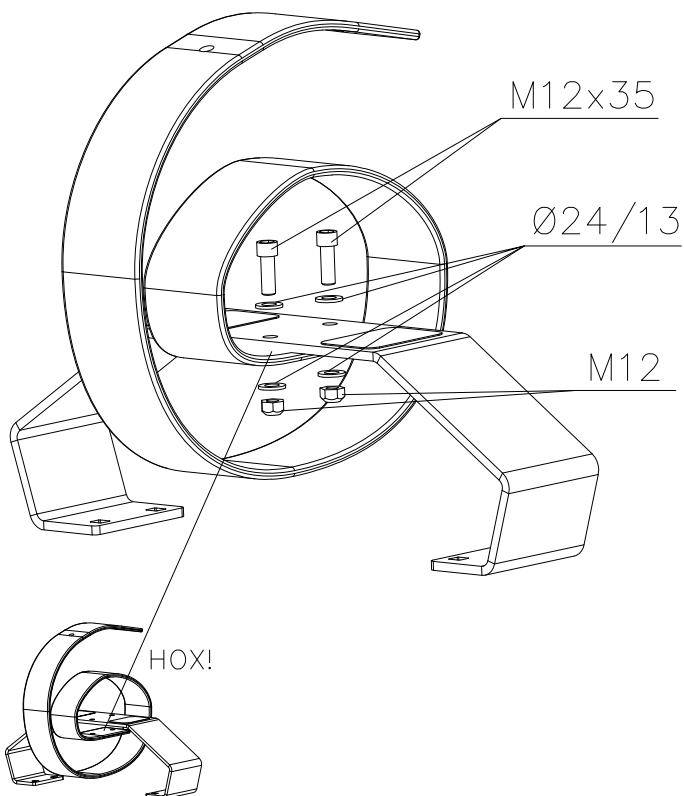
DET 2



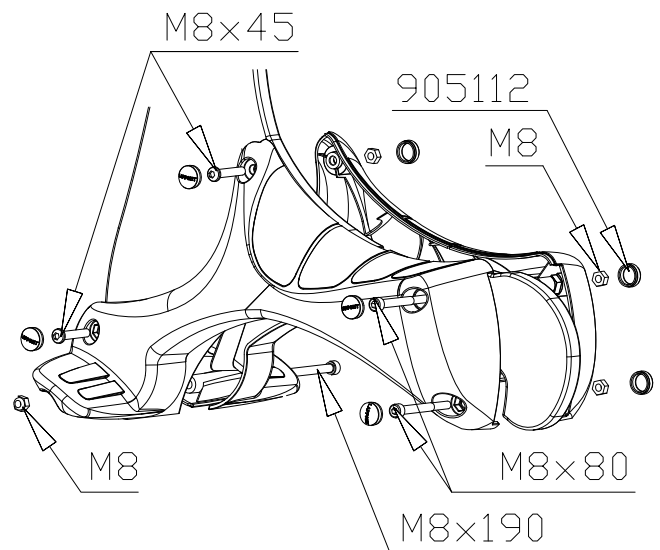
DET 3



DET 4



DET 5



| | | | | | | | | | | | |
|----------------------|----------|----------------------|----------|----------------------|----------|----------------------|----------|----------------------|----------|----------------------|----------|
| ① 701988 (010501) | PCS 1 | ① 701960 (010502) | PCS 1 | ① 701991 (010503) | PCS 1 | ① 702025 (010504) | PCS 1 | ① 702023 (010505) | PCS 1 | ① 702024 (010506) | PCS 1 |
| | | | | | | | | | | | |
| ① 702028 (010507) | PCS 1 | ① 702027 (010508) | PCS 1 | ① 704435 (010509) | PCS 1 | ① 704436 (010510) | PCS 1 | ① 704437 (010511) | PCS 1 | ① 706329 (010512) | PCS 1 |
| | | | | | | | | | | | |
| ① 706331 (010513) | PCS 1 | ① 707751 (010514) | PCS 1 | ① 707571 (010516) | PCS 1 | ① 710192 (Q41143) | PCS 1 | | | | |
| | | | | | | | | | | | |

707014



| | | | | | | | | | | | |
|----------|----------|----------|----------|-------------|-----------|----------|-----------|----------|----------|----------|----------|
| ② 901899 | PCS 6 | ③ 902095 | PCS 1 | ④ 902133 | PCS 1 | ⑤ 902211 | PCS 2 | ⑥ 902303 | PCS 2 | ⑦ 903149 | PCS 2 |
| | | | | | | | | | | | |
| M8x45 | | RIGHT | | LEFT | | | | | | M12x30 | |
| ⑧ 905023 | PCS 2 | ⑨ 905032 | PCS 1 | ⑩ 905106 | PCS 1 | ⑪ 905112 | PCS 10 | ⑫ 906511 | PCS 4 | ⑬ 909146 | PCS 2 |
| | | | | | | | | | | | |
| | | 8,5x90 | | 590x190x120 | | Ø22 | | M12 | | M12x35 | |
| ⑭ 909195 | PCS 2 | ⑮ 909340 | PCS 2 | ⑯ 980150 | PCS 10 | ⑰ 980151 | PCS 11 | ⑱ 980154 | PCS 6 | | PCS |
| | | | | | | | | | | | |
| M8x190 | | M8x80 | | M8 | | Ø16/8.4 | | Ø24/13 | | | |

| | |
|----------|----------|
| ⑲ 702286 | PCS 1 |
| | |
| 90x50 | |

LAPPSET Group Ltd
 XXXXXX
 XXXXXX
 XXXXXX
 XXXXXX
 XXXXXX
 XXXXXX