

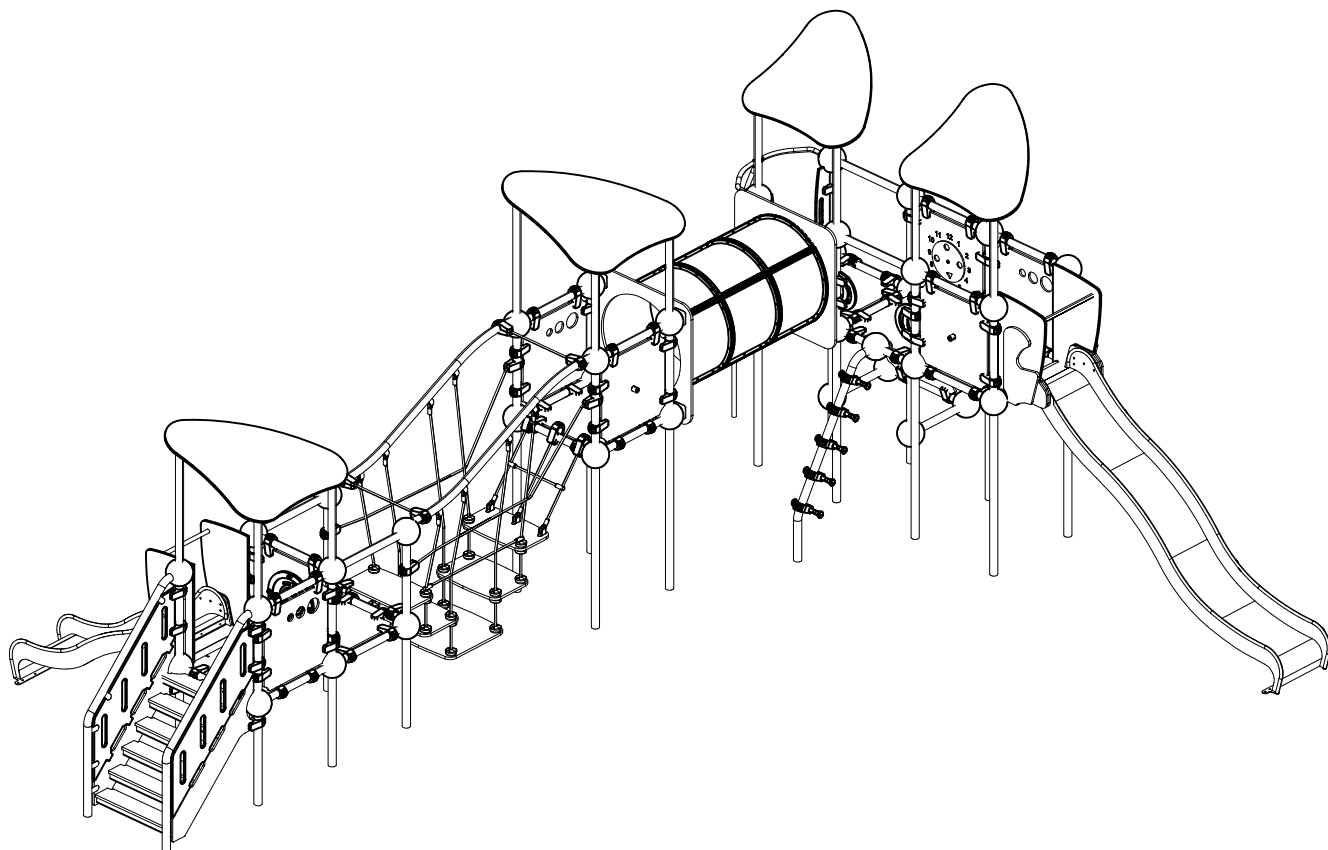
LAPPSET®

CLOXX


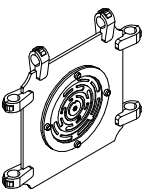
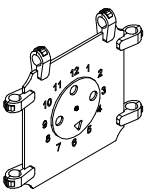
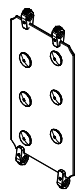
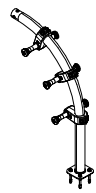
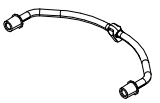
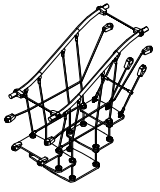

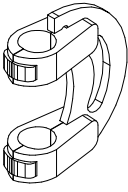
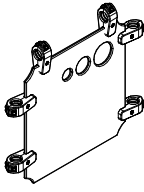
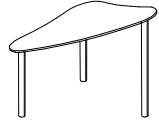
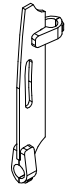
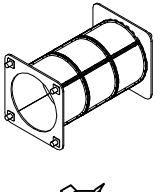
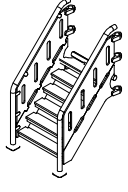
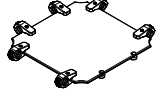
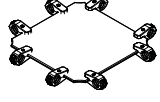
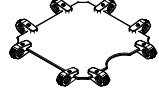
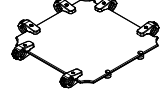
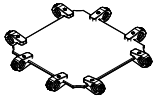
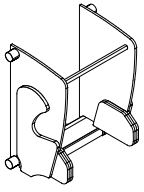
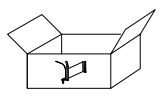
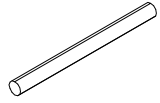
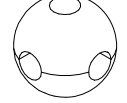
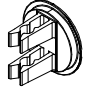
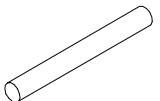




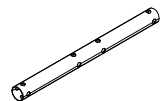

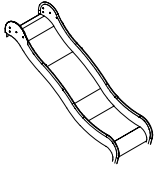
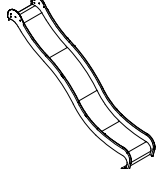
ASENNUSOHJE
MONTERINGSANSVISNING
INSTALLATION INSTRUCTION
AUFBAUANLEITUNG
NOTICE D'INSTALLATION

DATE: 22.7.2021

Q06152

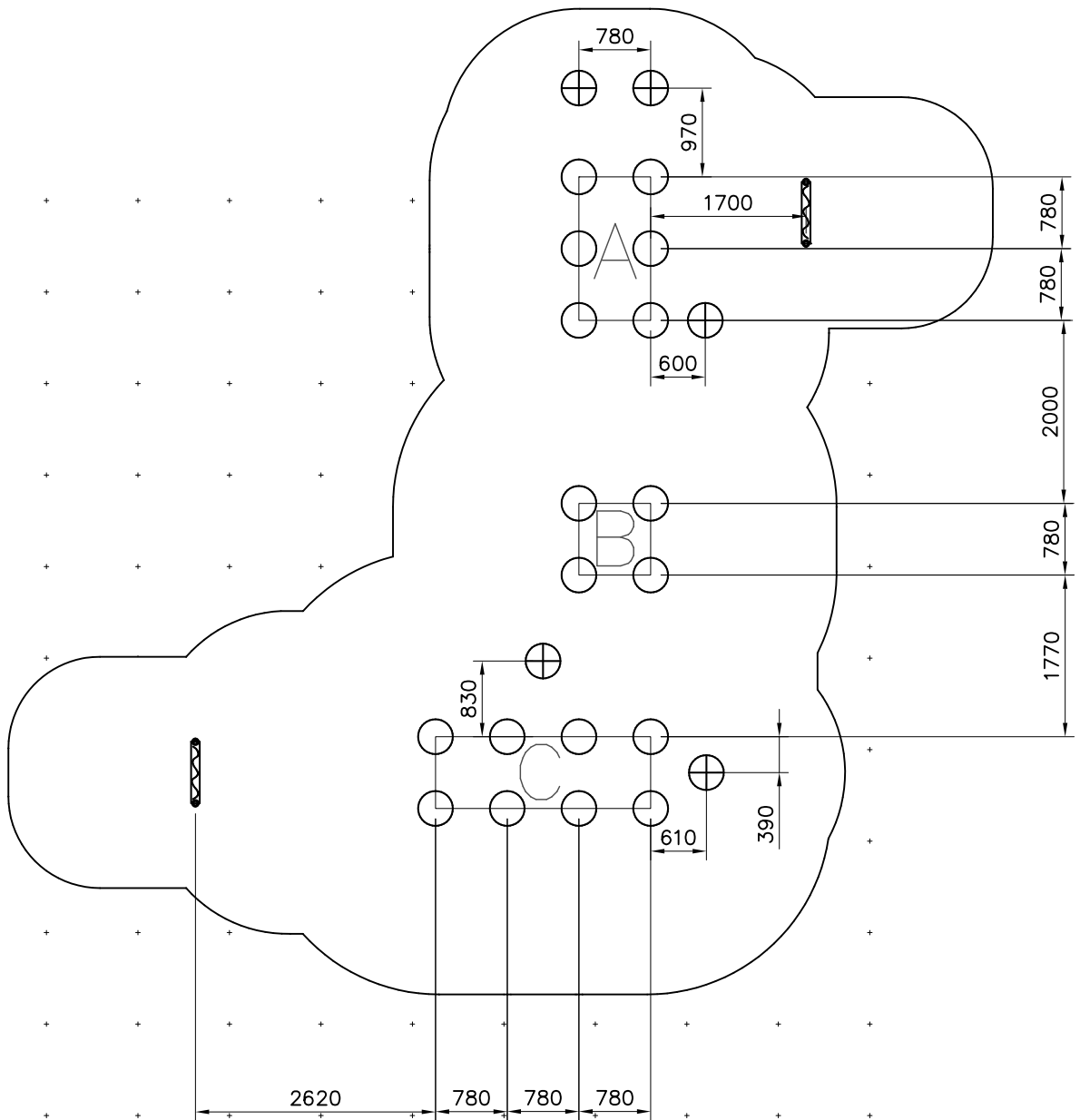
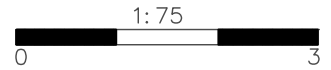


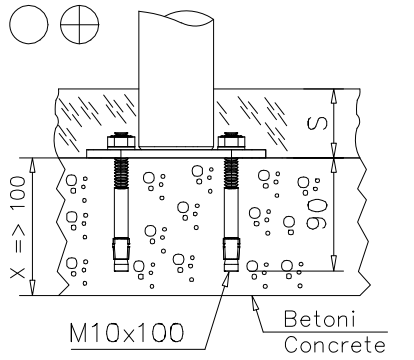
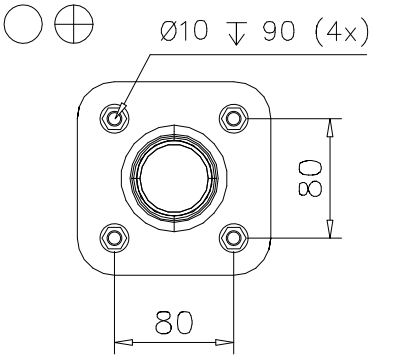
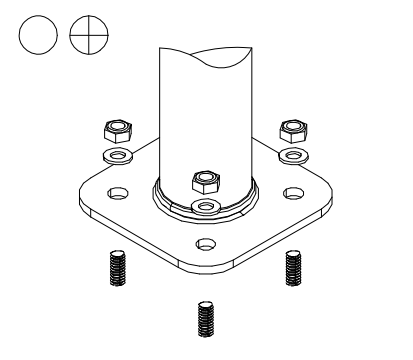
DATE: 22.7.2021

<p>702341</p>  <p>90x50</p>	PCS 1	<p>703997</p> 	PCS 2	<p>704002</p> 	PCS 2	<p>704006</p> 	PCS 1	<p>704013</p> 	PCS 1	<p>704015</p> 	PCS 1
<p>704023</p> 	PCS 1	<p>704062</p> 	PCS 1	<p>704159</p> 	PCS 3	<p>704179</p> 	PCS 3	<p>704199</p> 	PCS 4	<p>704219</p> 	PCS 2
<p>704223</p> 	PCS 1	<p>704308</p> 	PCS 1	<p>704432</p> 	PCS 1	<p>704443</p> 	PCS 1	<p>704678</p> 	PCS 1	<p>704684</p> 	PCS 1
<p>704703</p> 	PCS 2	<p>708858</p> 	PCS 2	<p>709049</p> 	PCS 2	<p>902022</p>  <p>L 710</p>	PCS 29	<p>902134</p> 	PCS 41	<p>902157</p>  <p>60x60x2</p>	PCS 90
<p>904414</p>  <p>L 515</p>	PCS 2	<p>904459</p>  <p>L 2237</p>	PCS 10	<p>904460</p>  <p>L 2237</p>	PCS 2	<p>904507</p>  <p>L 1637</p>	PCS 6	<p>904518</p>  <p>130x130x2258</p>	PCS 1	<p>904834</p>  <p>L 710</p>	PCS 1
<p>909628</p>  <p>M10x100</p>	PCS 76	<p>909708</p>  <p>+870</p>	PCS 1	<p>909709</p>  <p>+1470</p>	PCS 1		PCS		PCS		PCS
	PCS		PCS		PCS		PCS		PCS		PCS

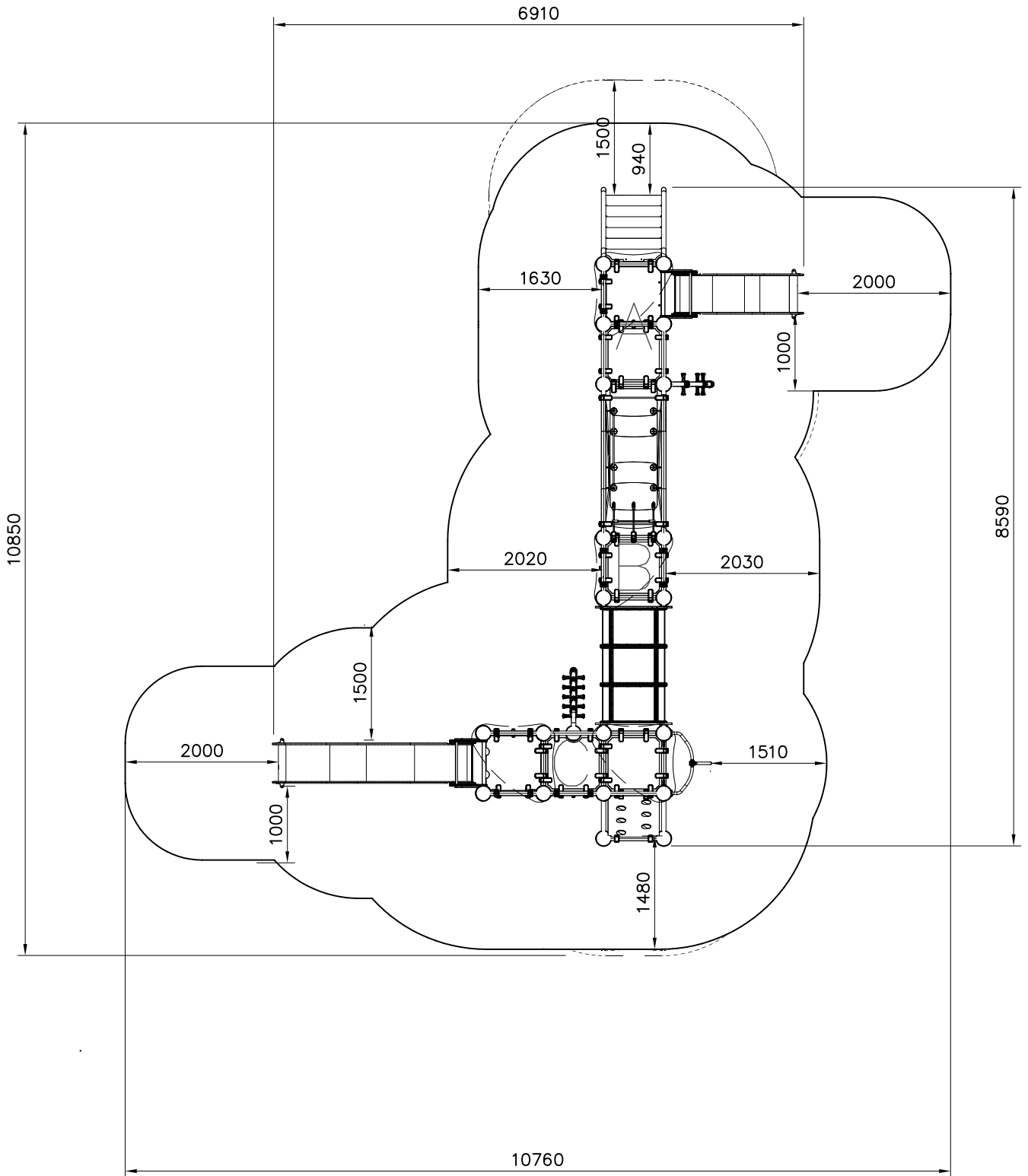
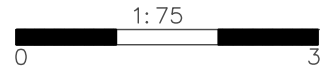
EN/AS Impact Area 64.1 m²

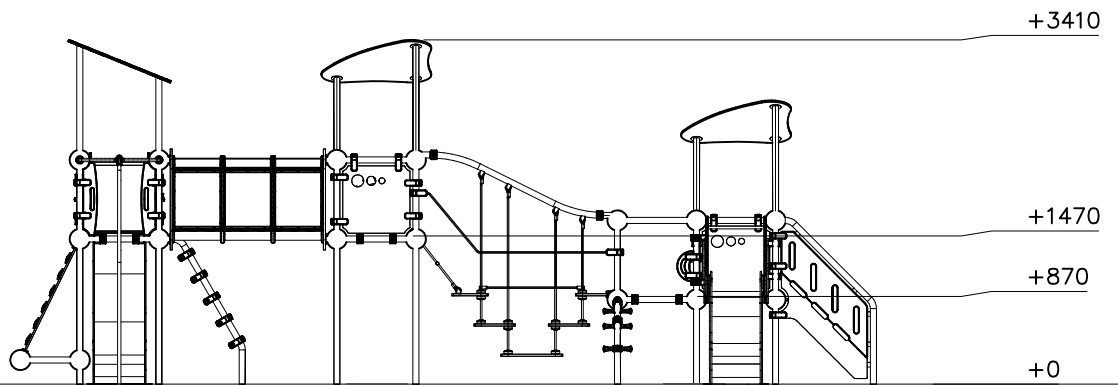
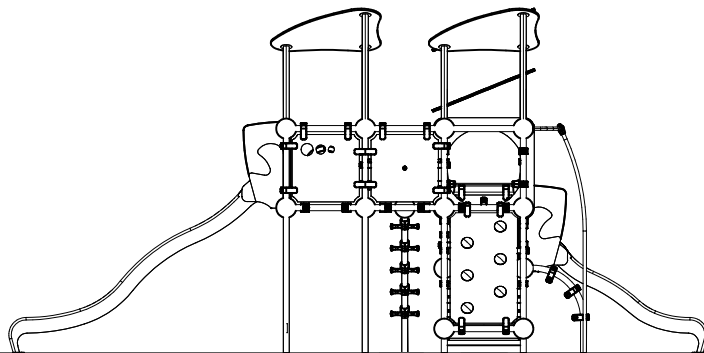
Grid size = 1000 mm

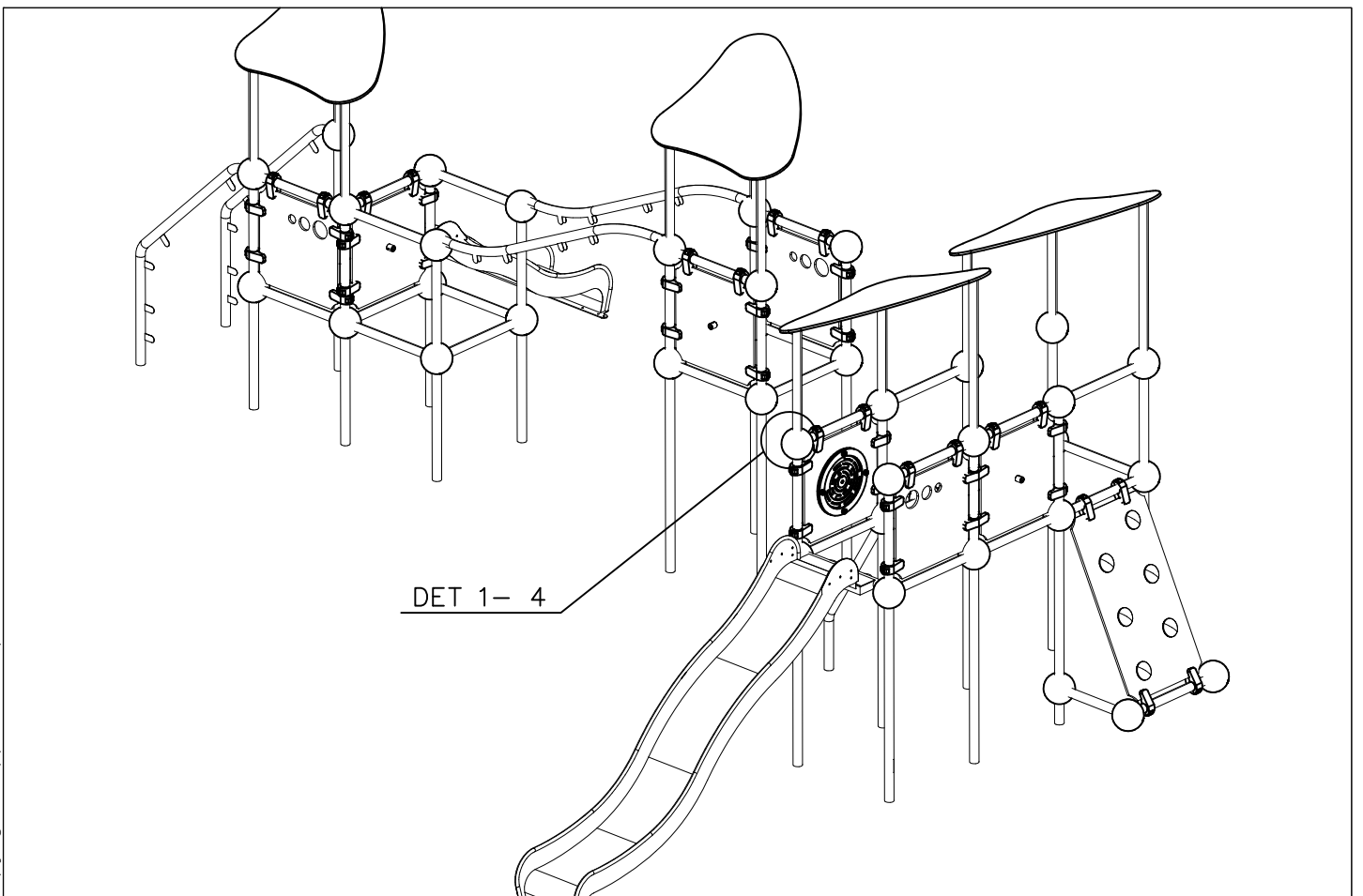
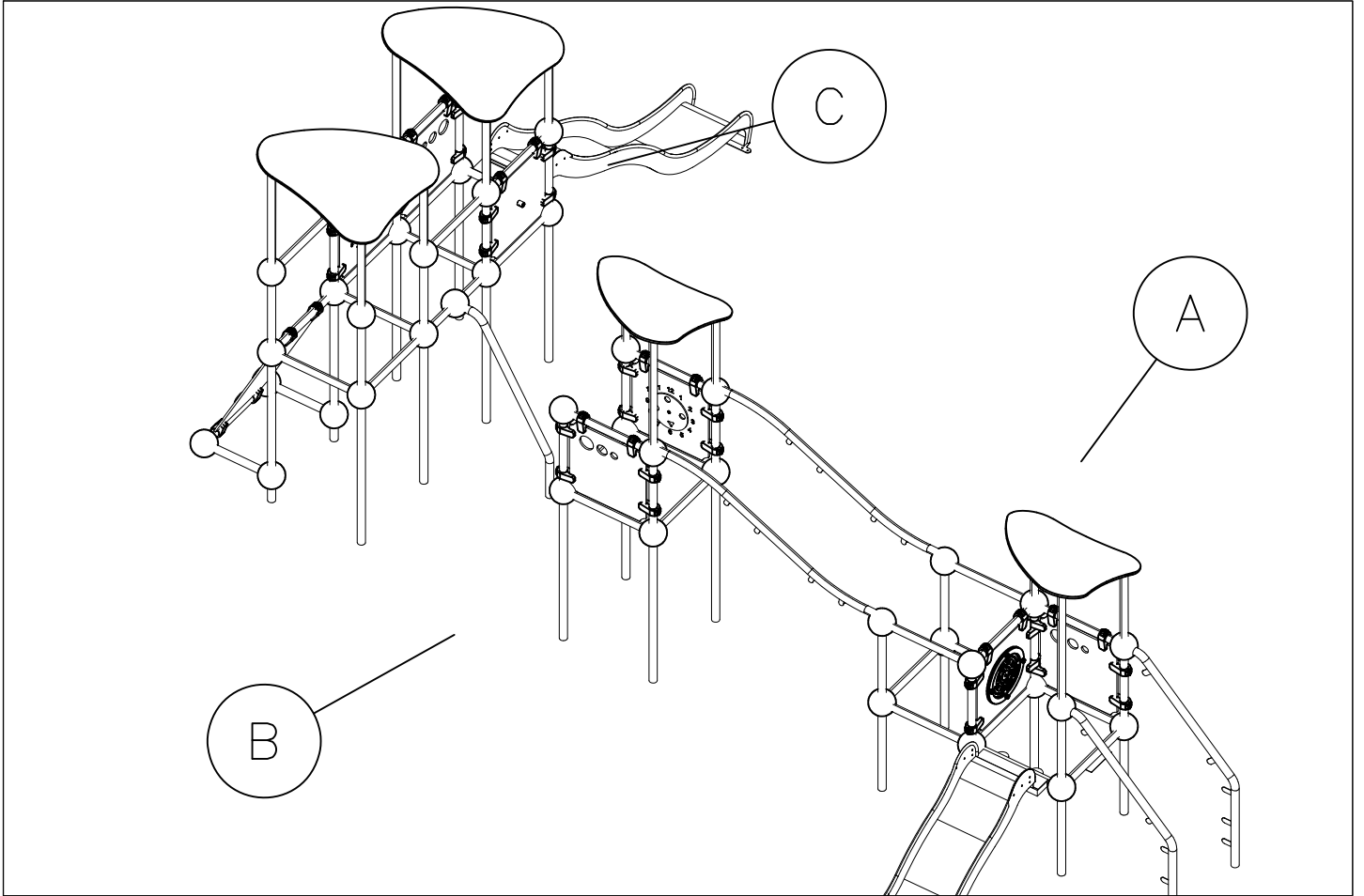


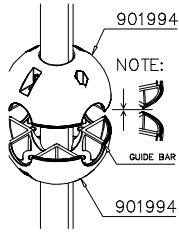
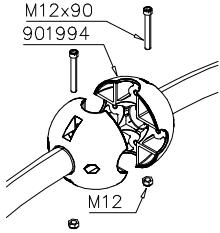
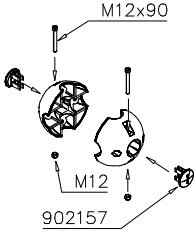
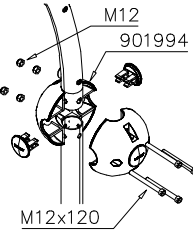
 <p>X => 100</p> <p>90</p> <p>M10x100</p> <p>Betoni Concrete</p>	 <p>Ø10 ∇ 90 (4x)</p> <p>80</p> <p>80</p>	

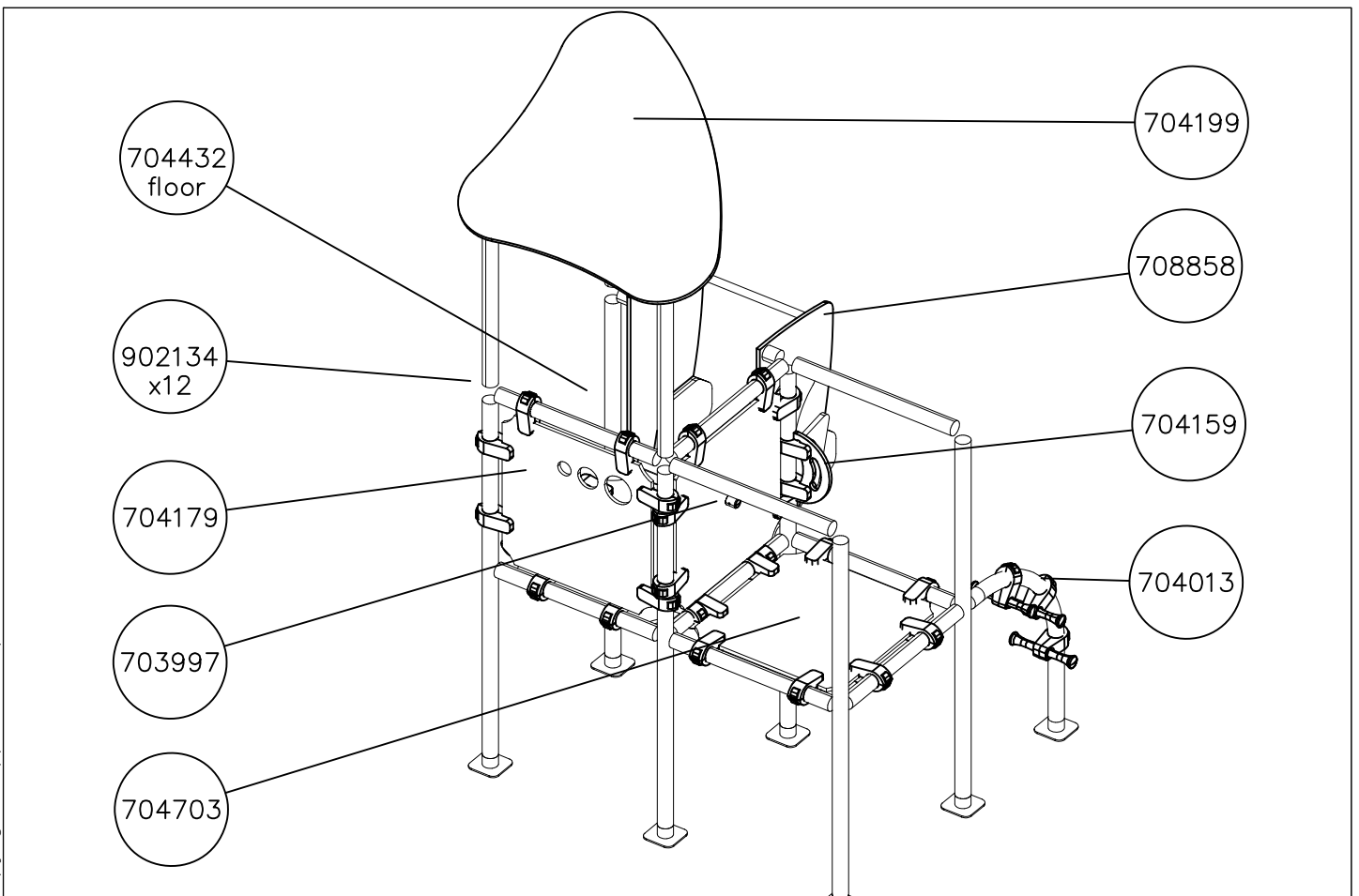
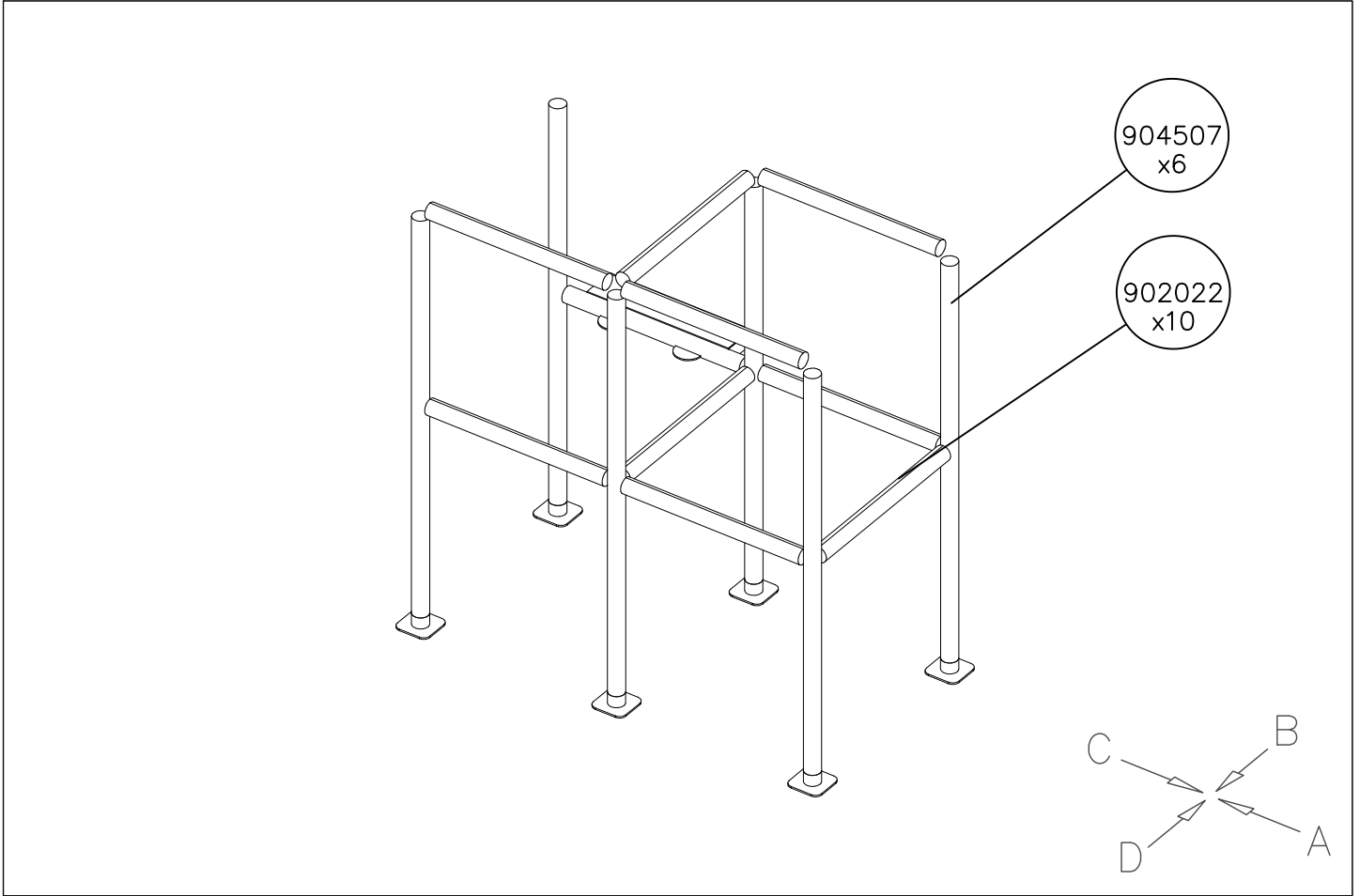
- EN/AS Impact Area 64.1 m²
- - - Falling Space 66.4 m²
- Max Falling Height 1470 mm







<p>DET 1</p> 	<p>DET 2</p> 	<p>DET 3</p> 	<p>DET 4</p> 

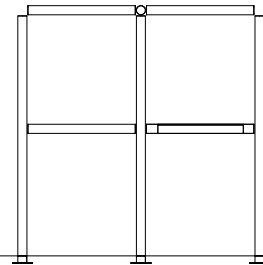
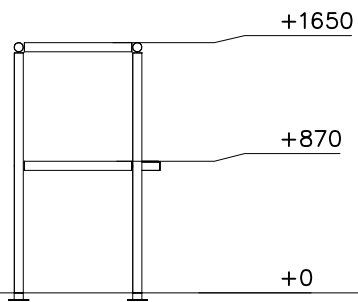


DATE: 22.7.2021

1:50

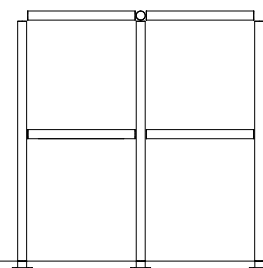
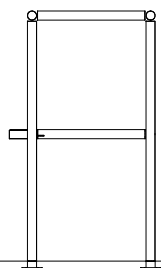
A

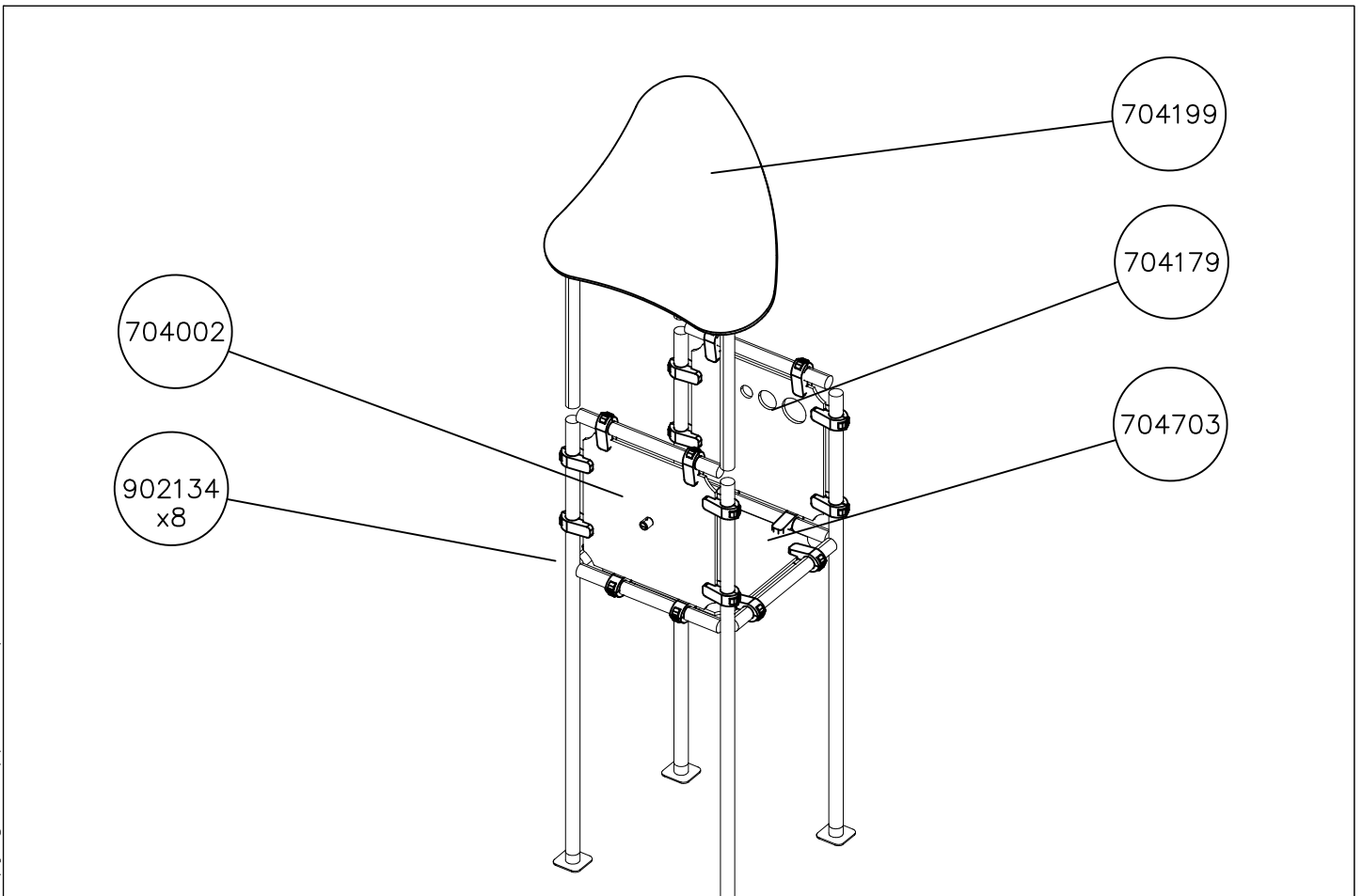
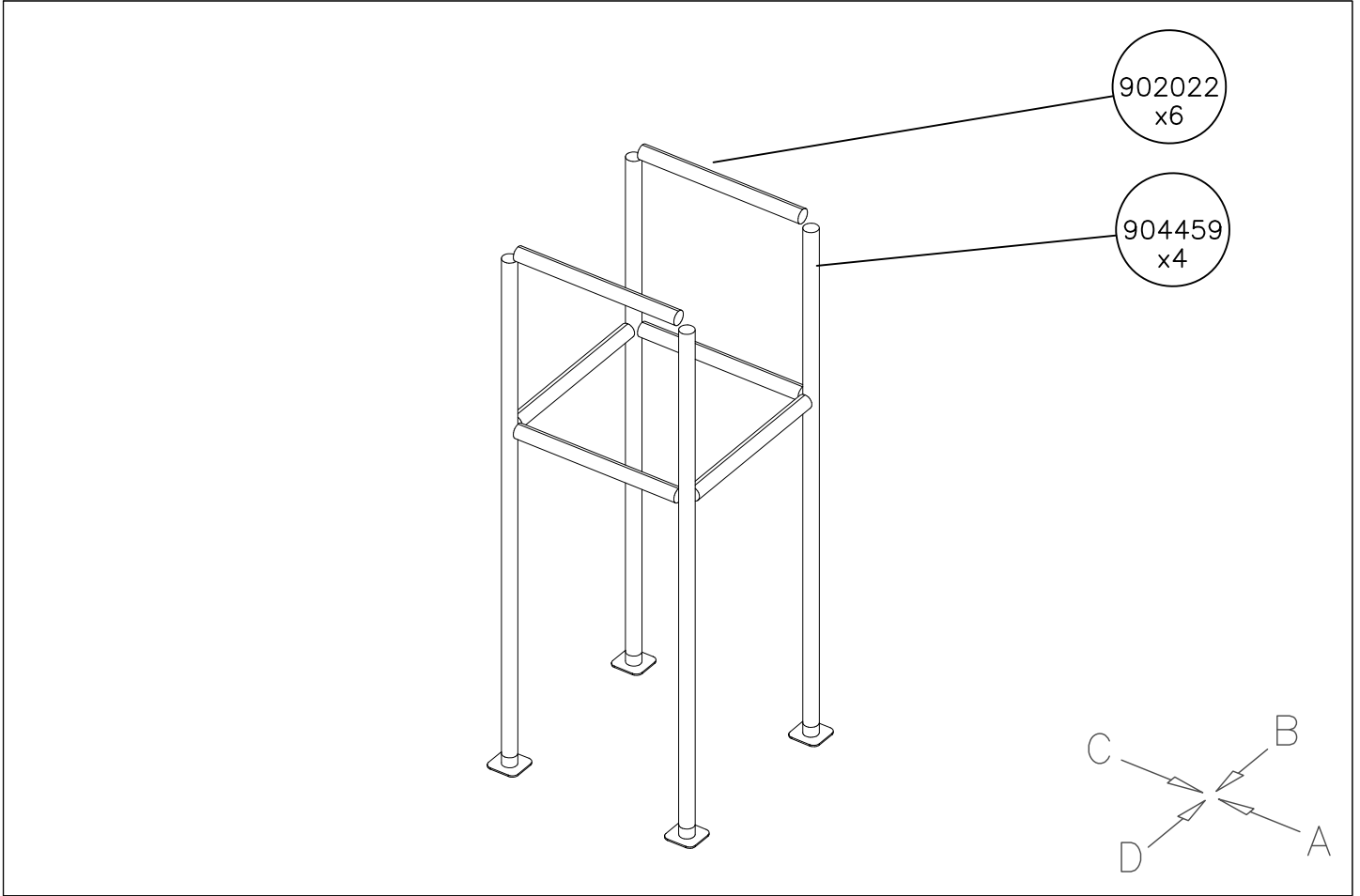
B



C

D



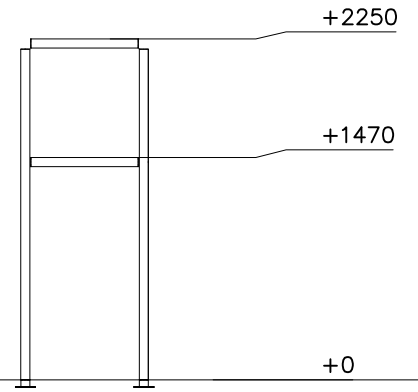
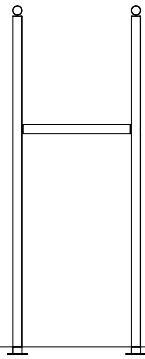


DATE: 22.7.2021

1:50

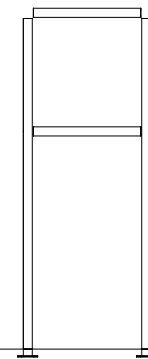
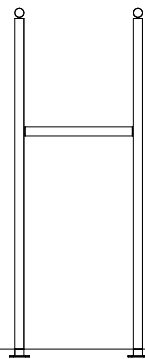
A

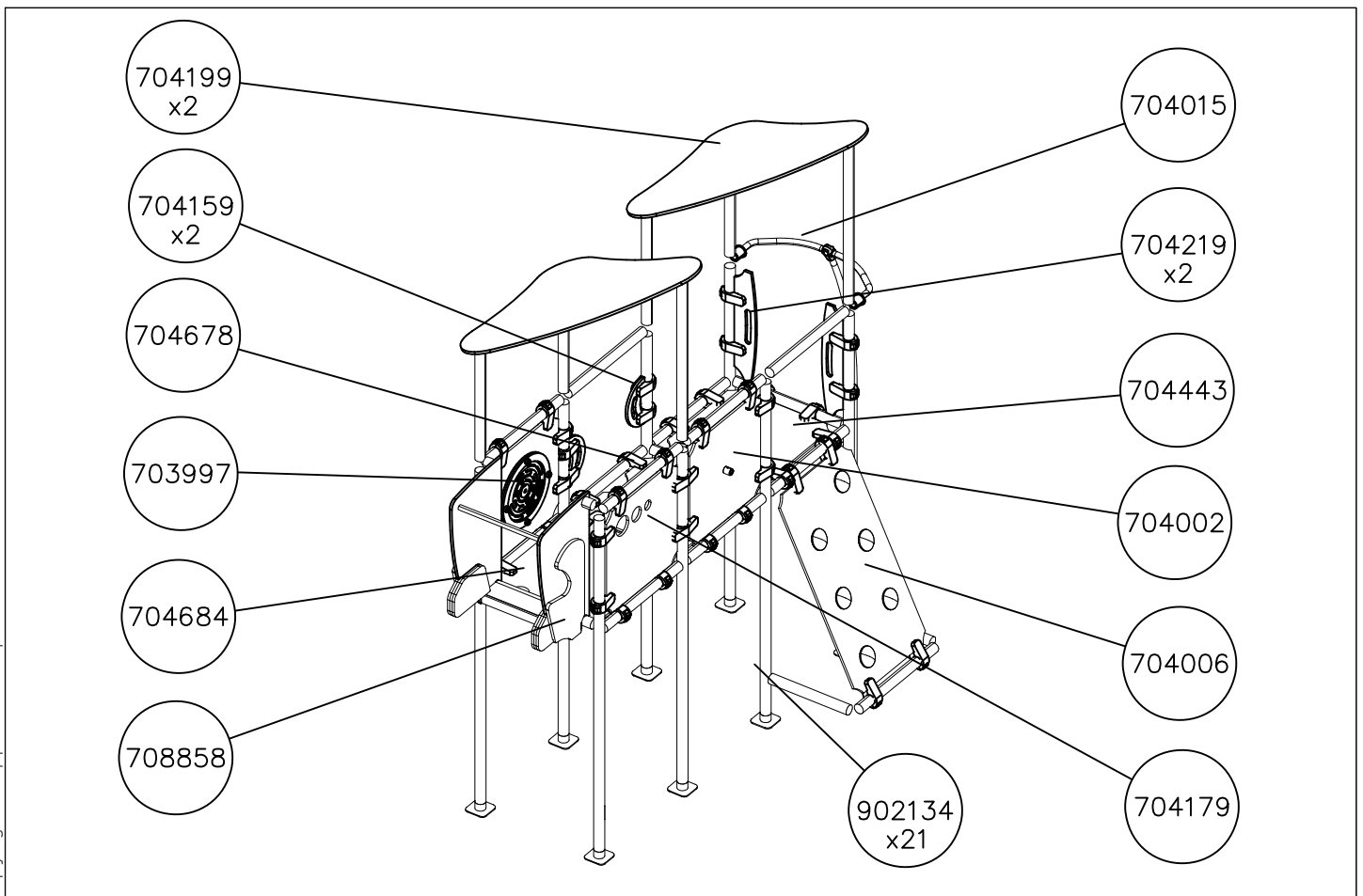
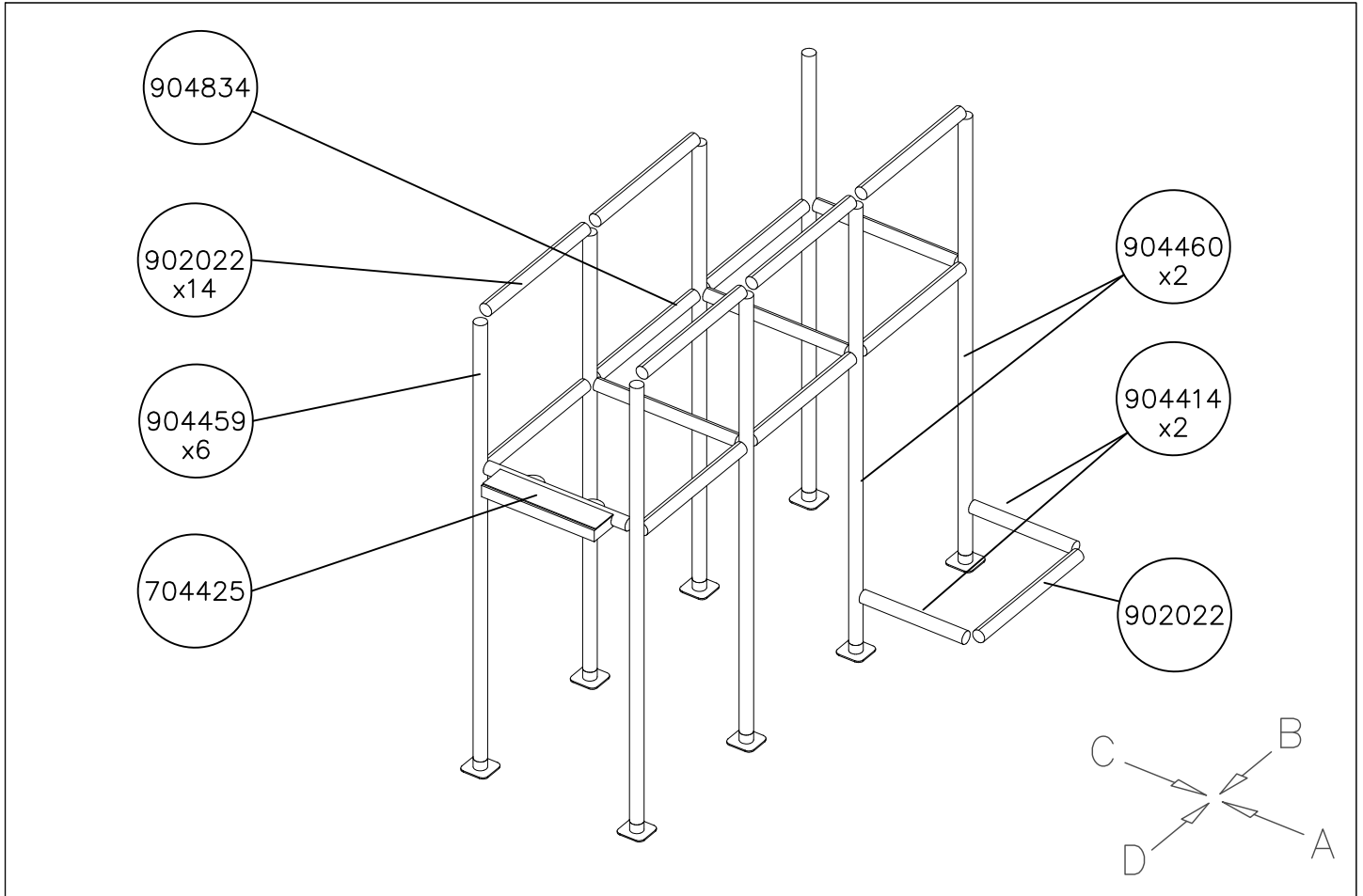
B



C

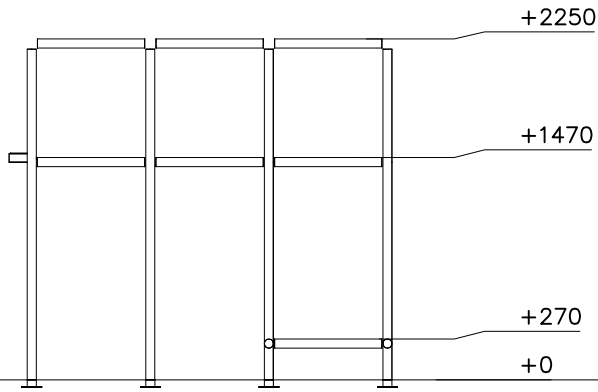
D



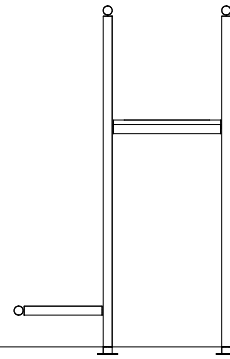


1:50

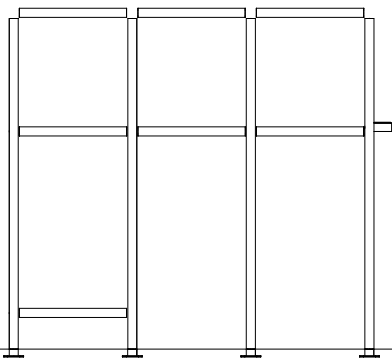
A



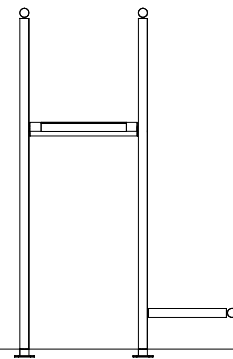
B

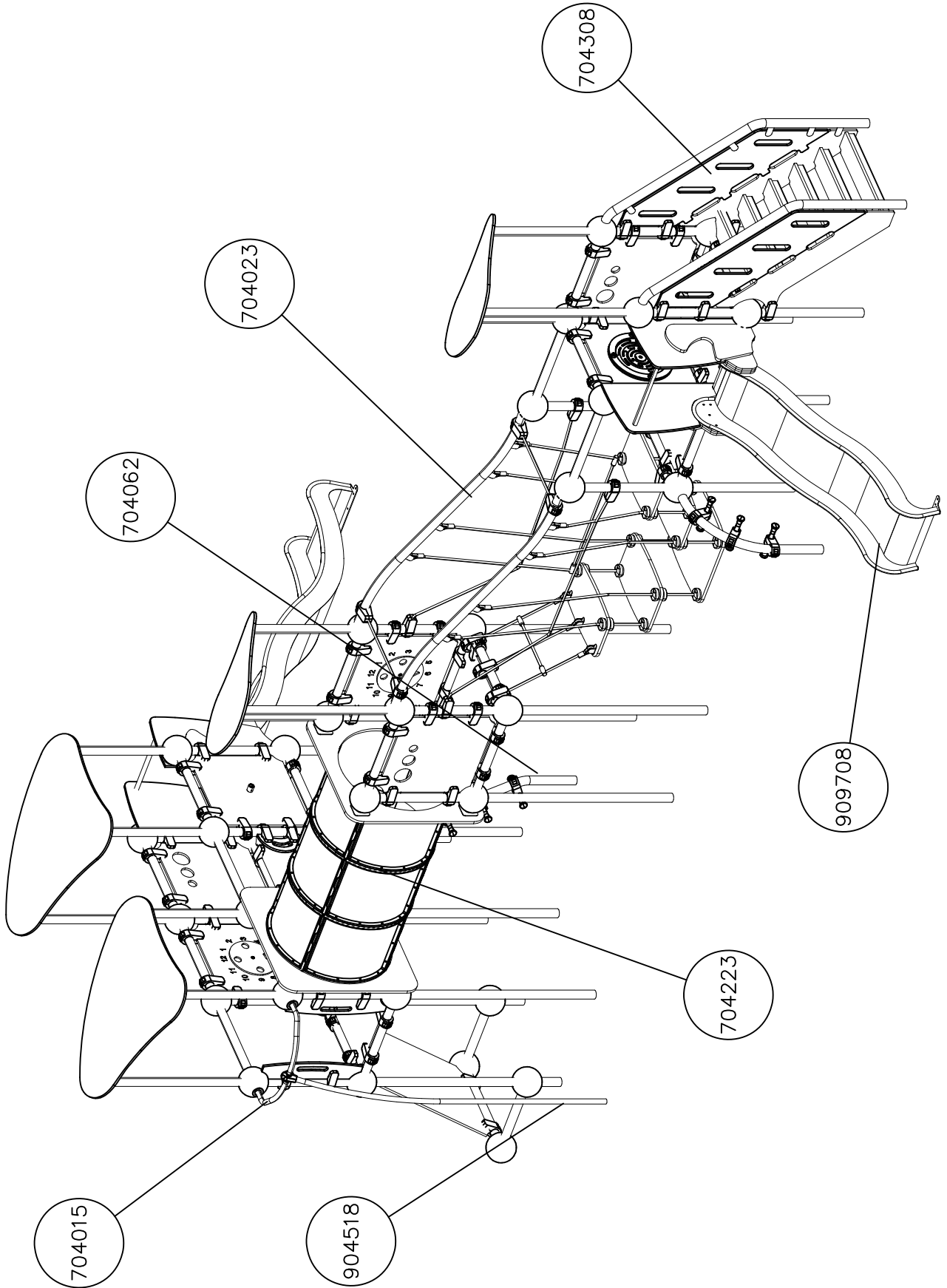


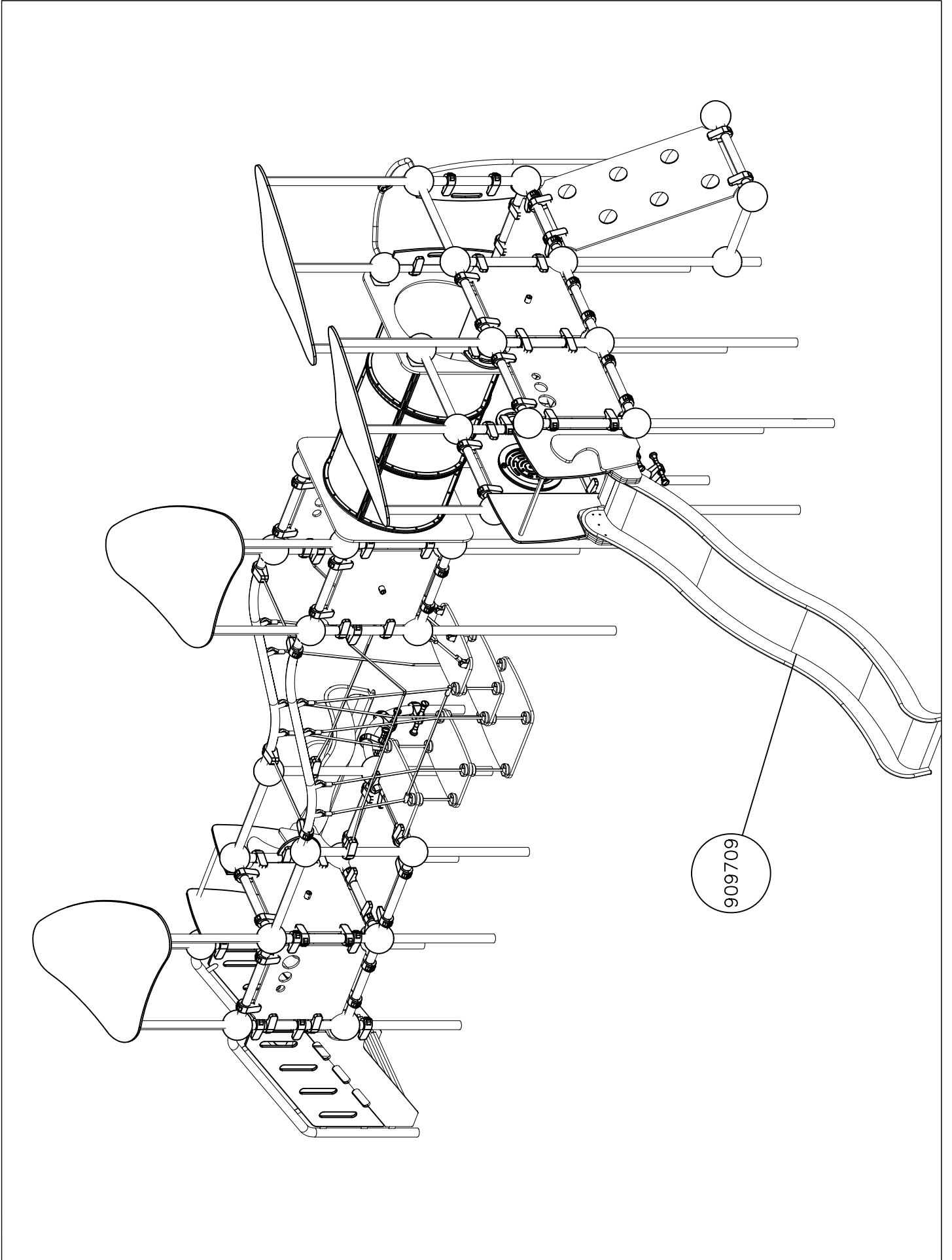
C

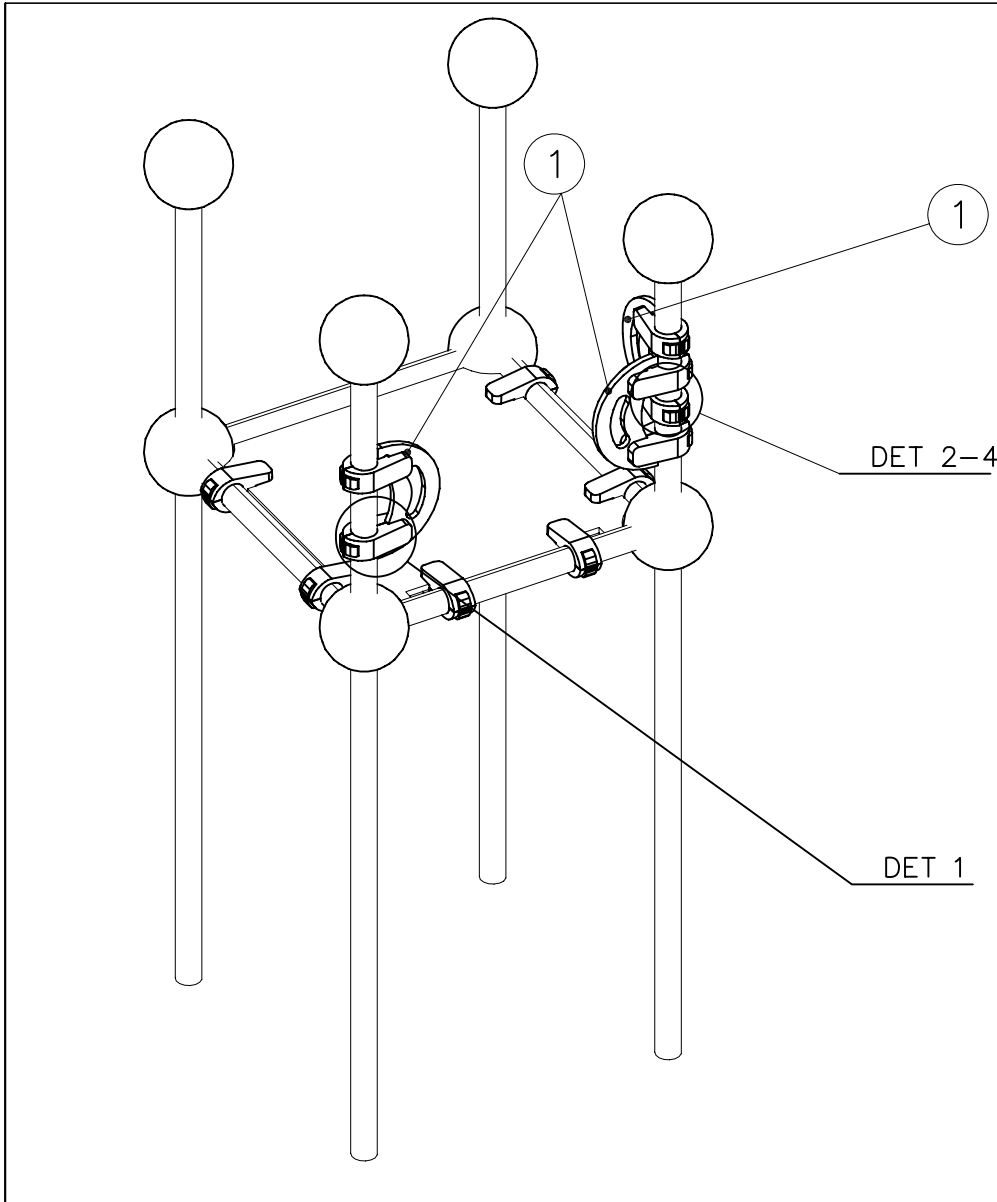


D

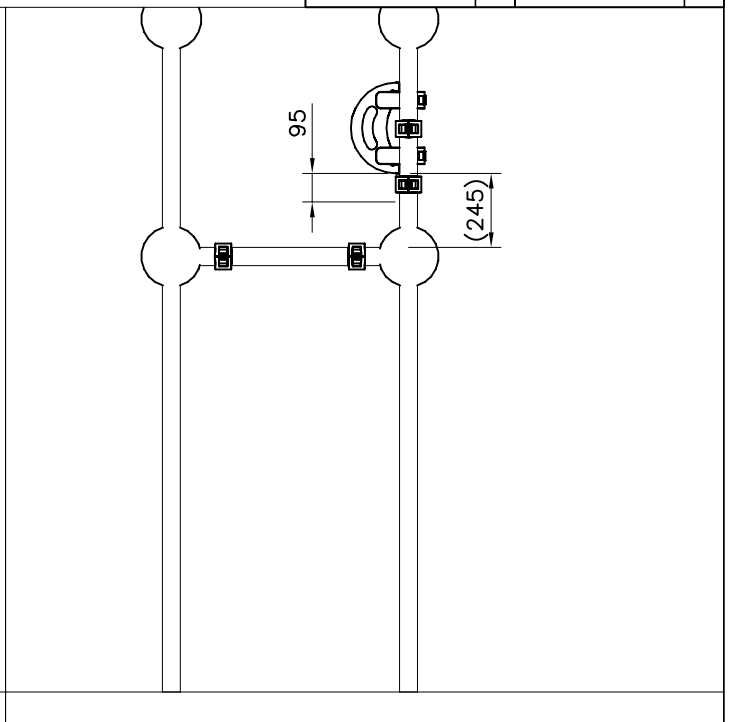
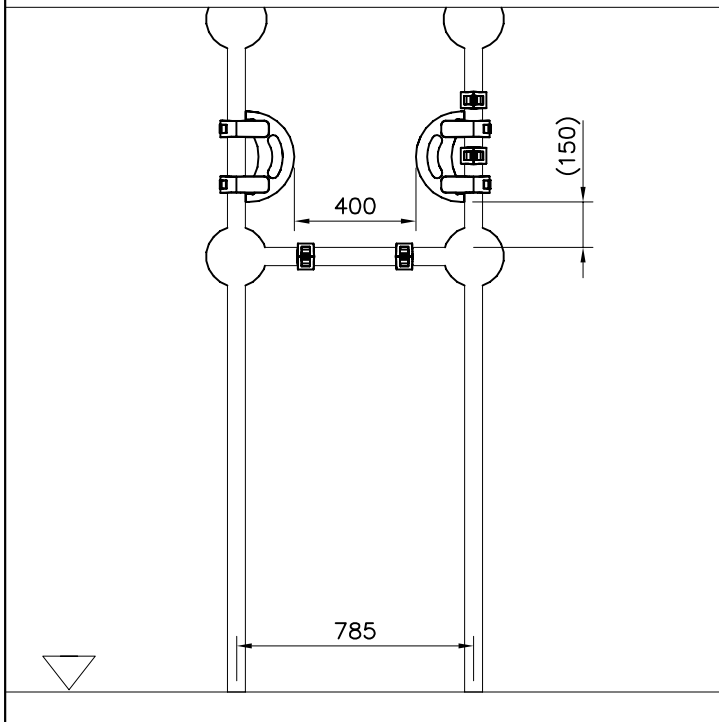




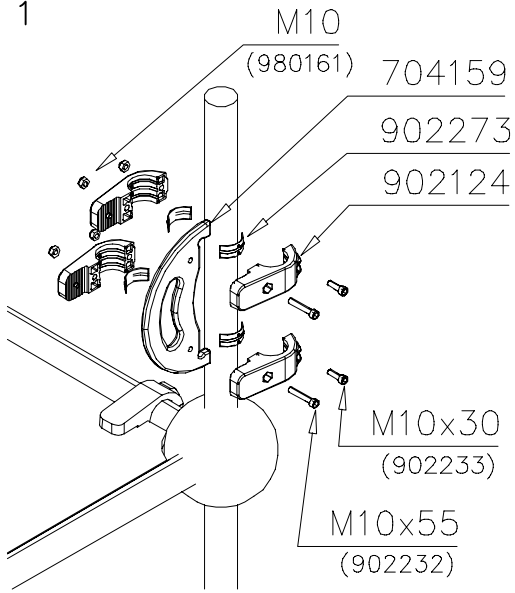




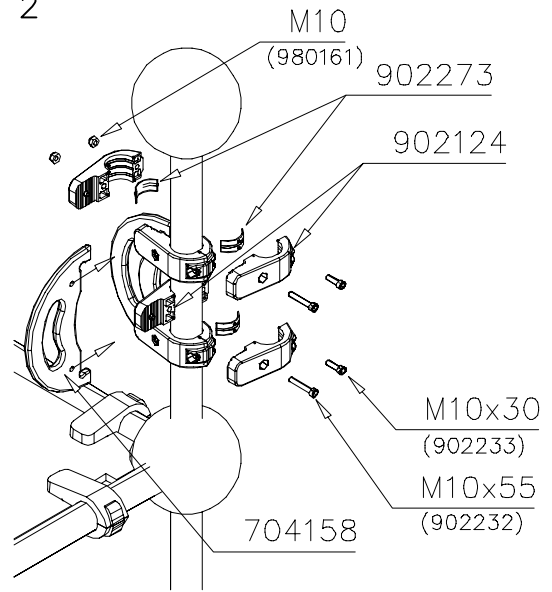
① 704158	PCS	② 902124	PCS
	1		4
		150x50x50	
③ 902232	PCS	④ 902233	PCS
	2		2
M10x55		M10x30	
⑤ 902273	PCS	⑥ 980161	PCS
	4		4
		M10	
	PCS		PCS
	PCS		PCS



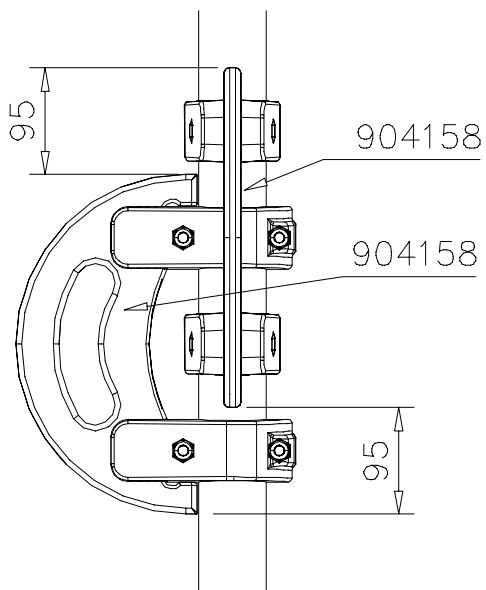
DET 1



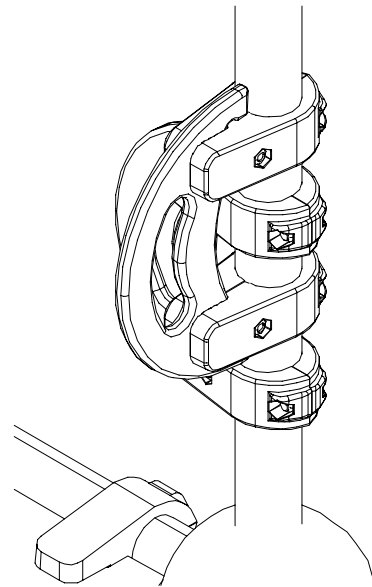
DET 2

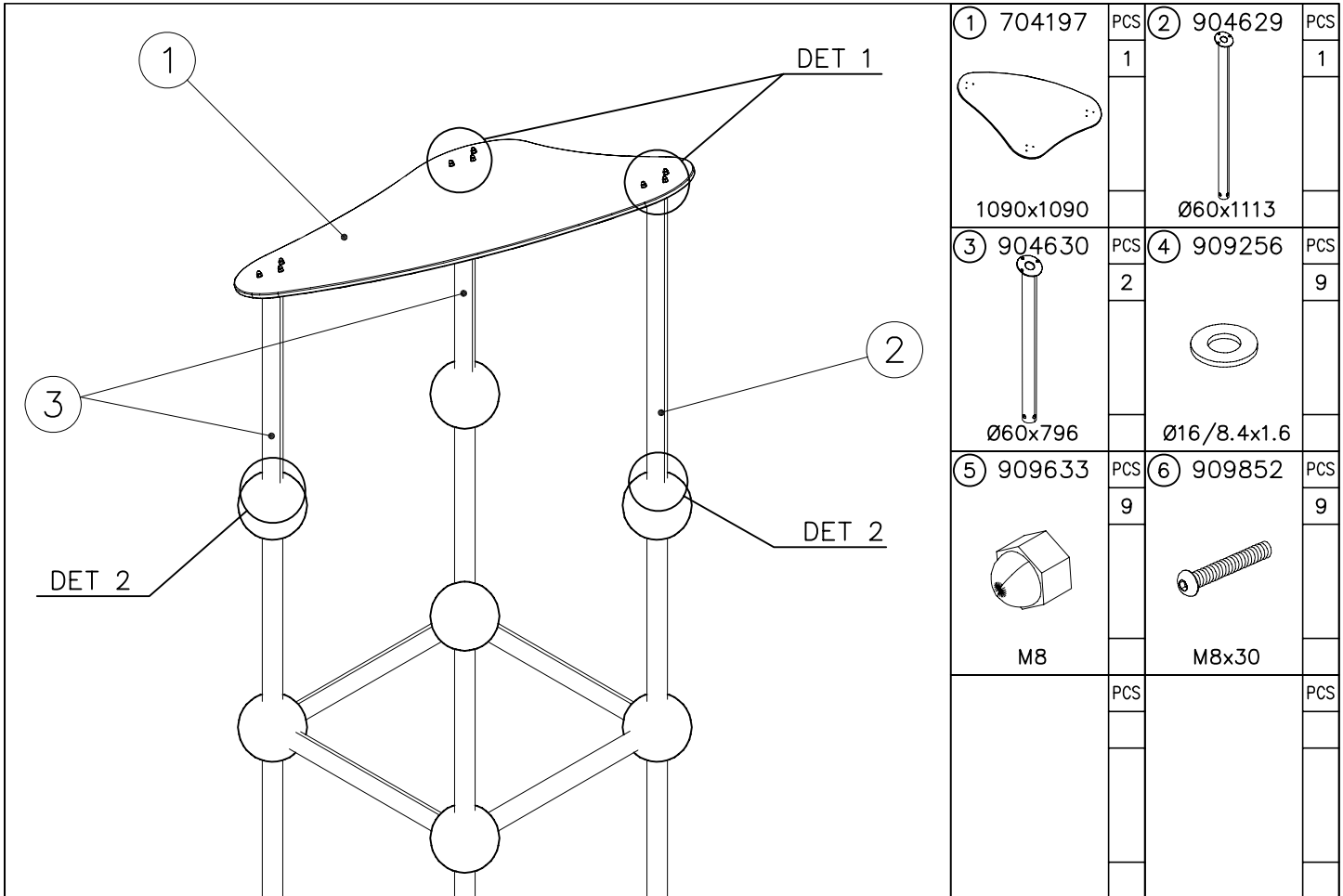


DET 3

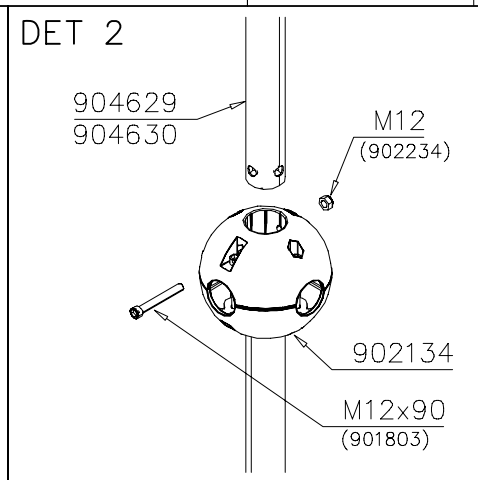
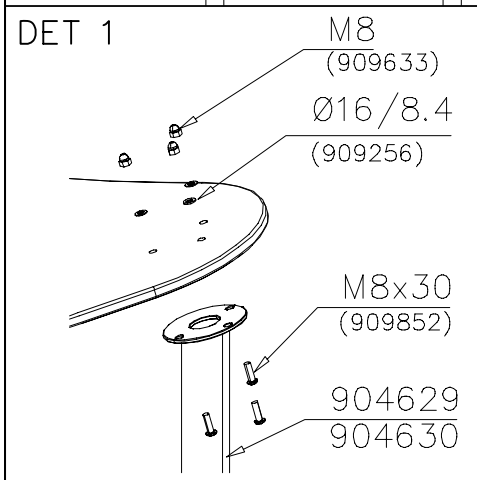
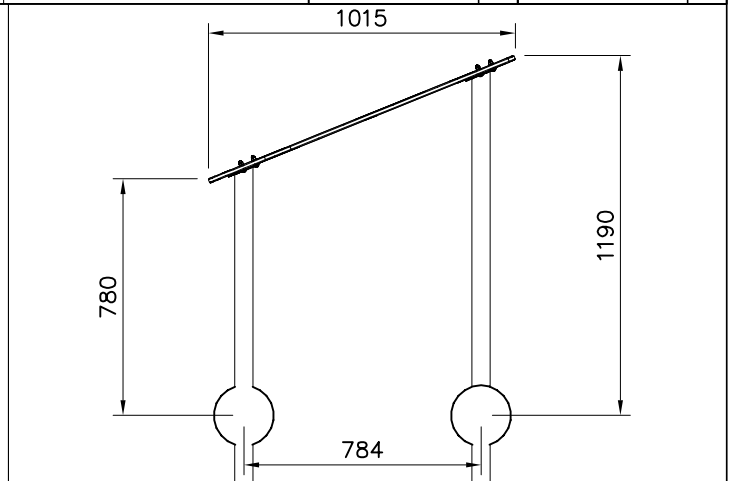
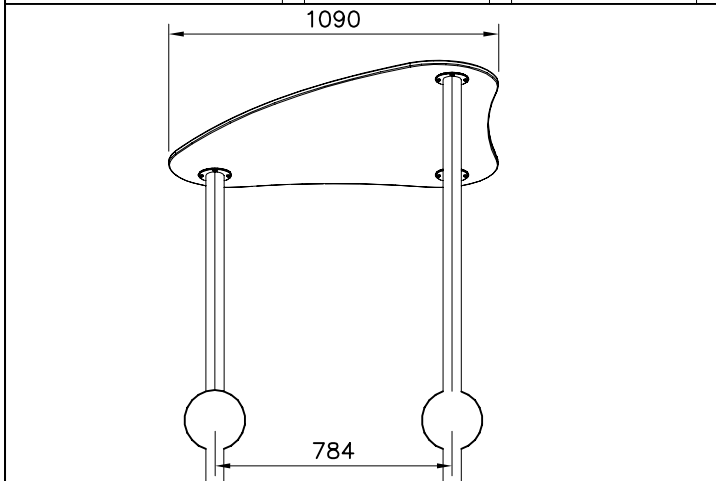


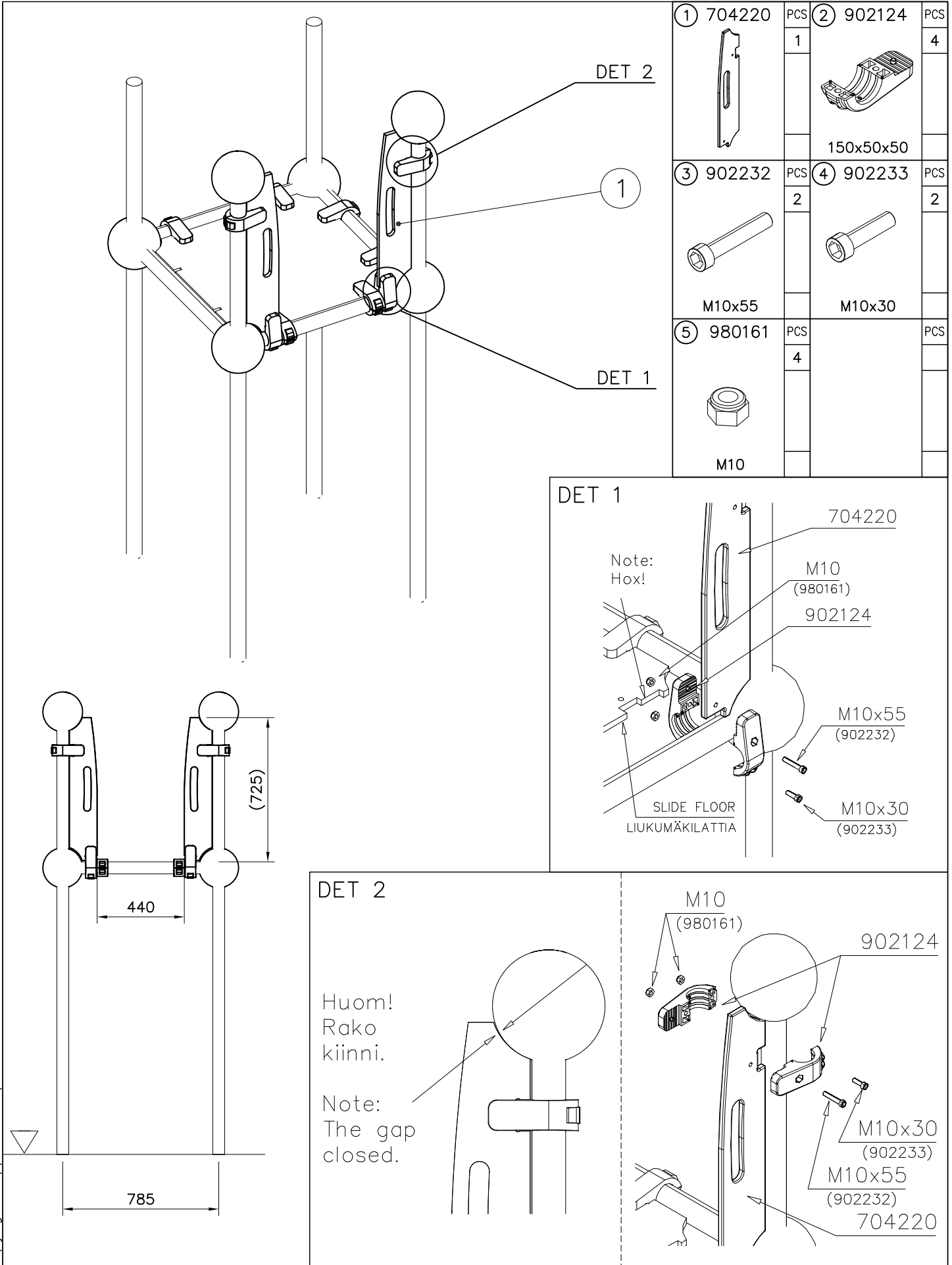
DET 4

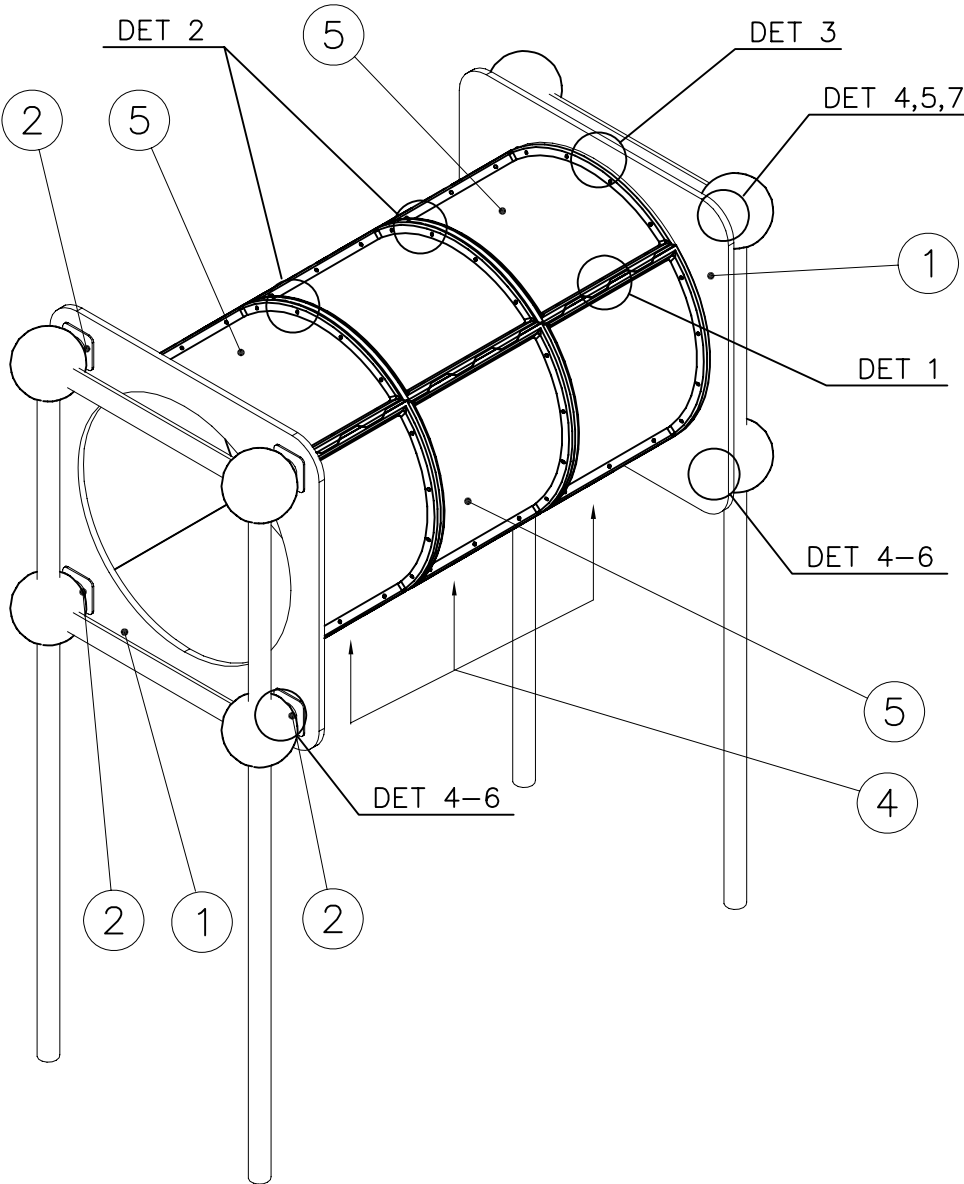


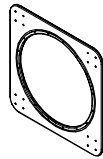
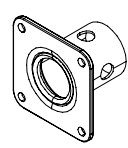
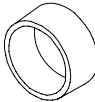
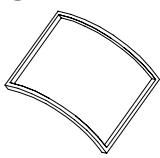
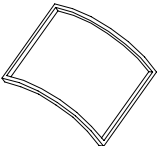
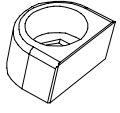
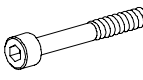
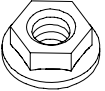

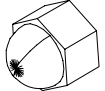
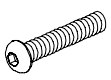
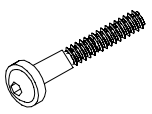
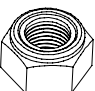


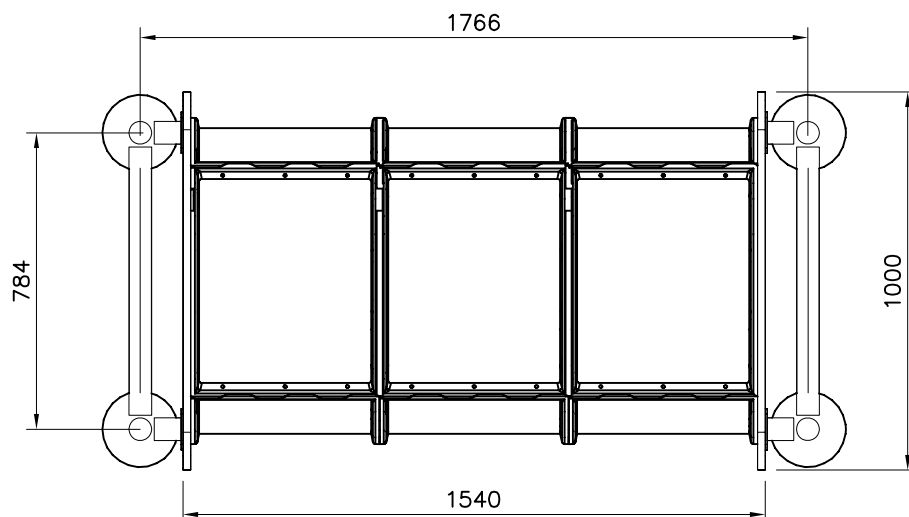
① 704197	PCS	② 904629	PCS
	1		1
1090x1090		Ø60x1113	
③ 904630	PCS	④ 909256	PCS
	2		9
Ø60x796		Ø16/8.4x1.6	
⑤ 909633	PCS	⑥ 909852	PCS
	9		9
M8		M8x30	
	PCS		PCS

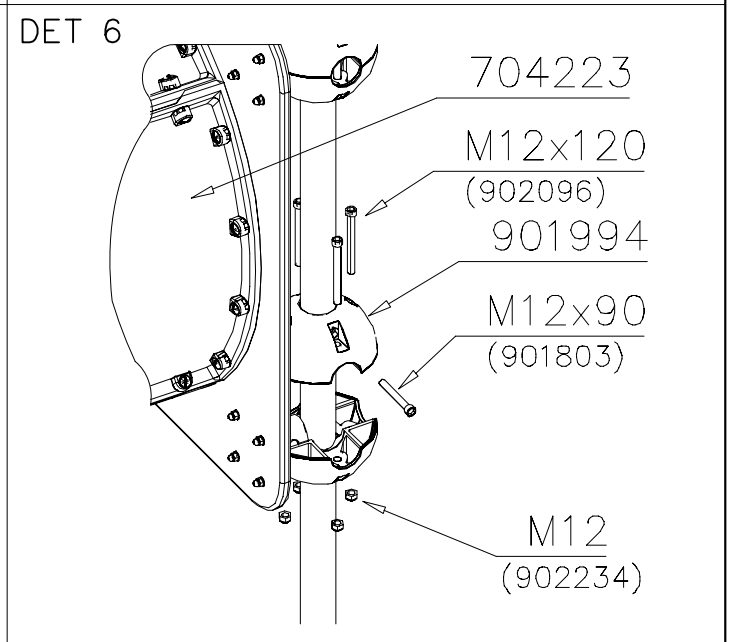
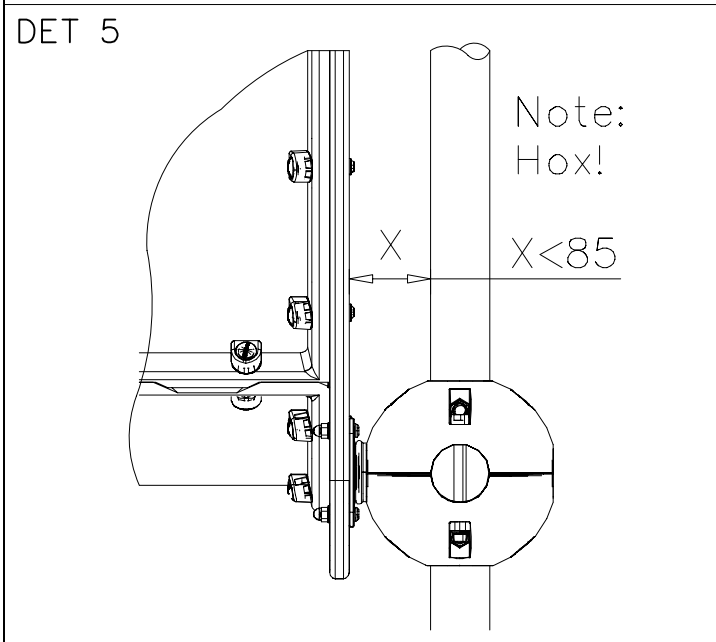
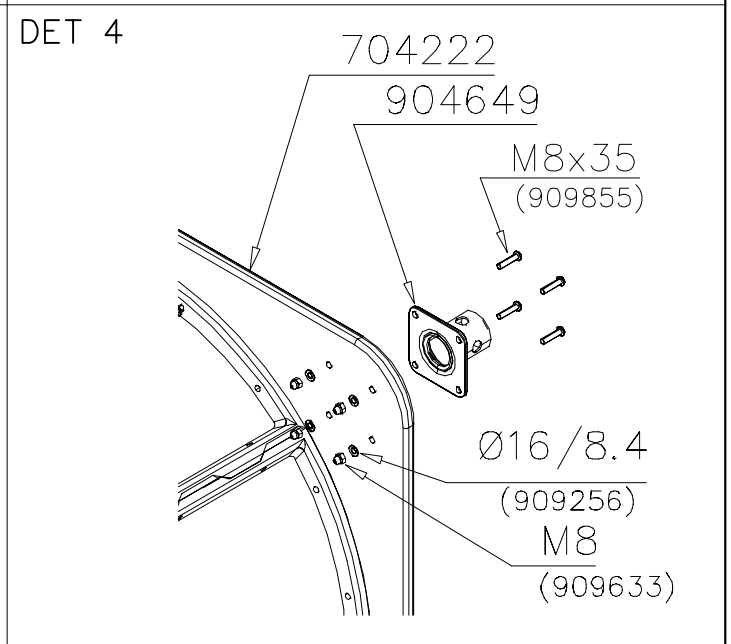
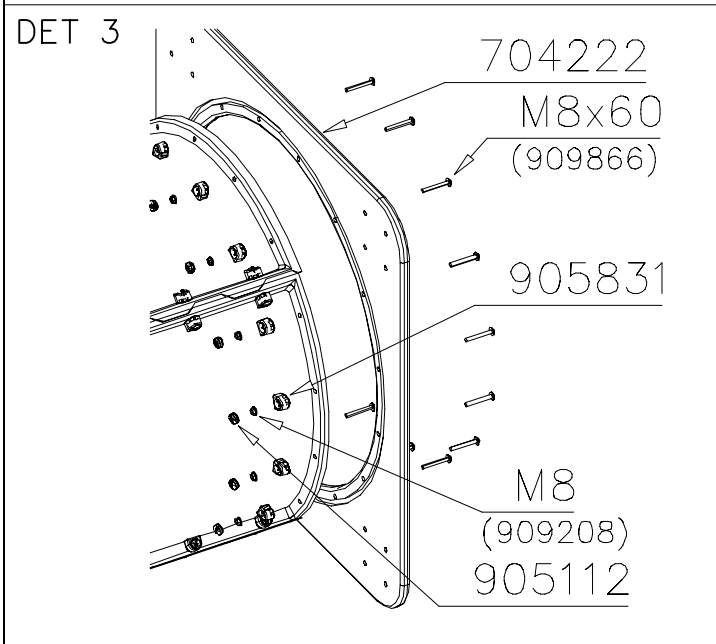
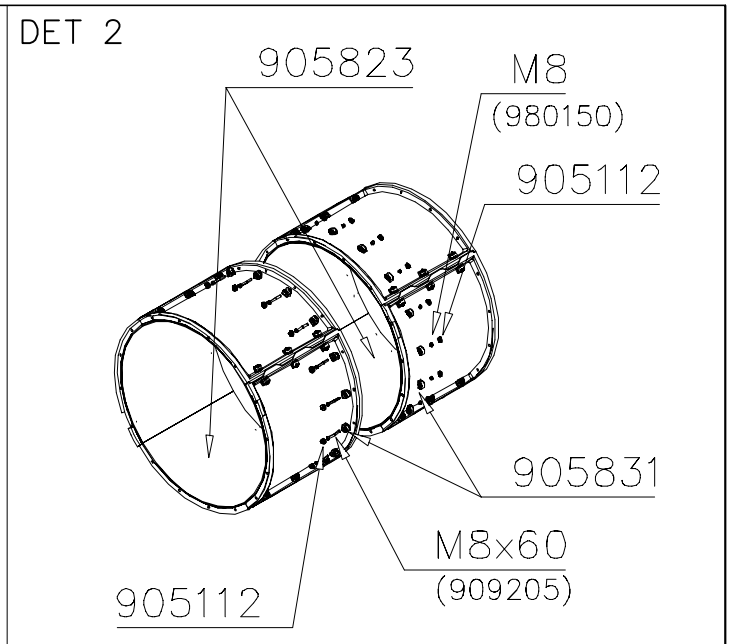
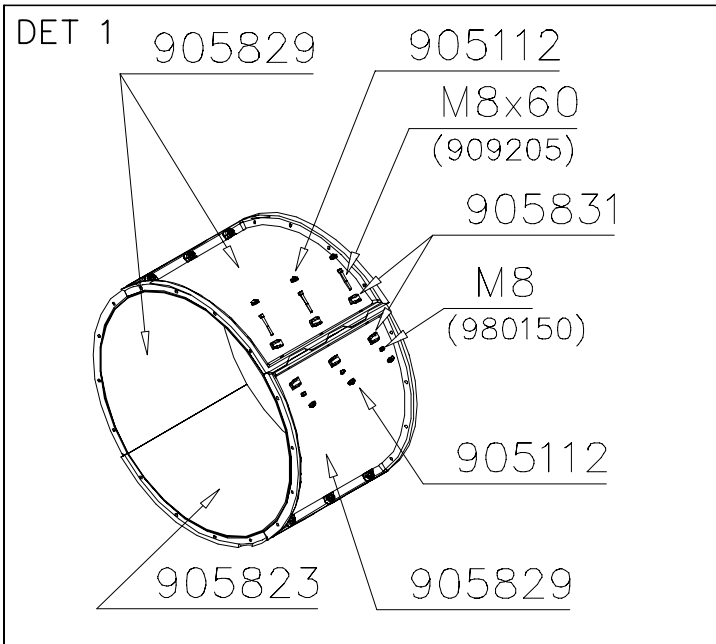


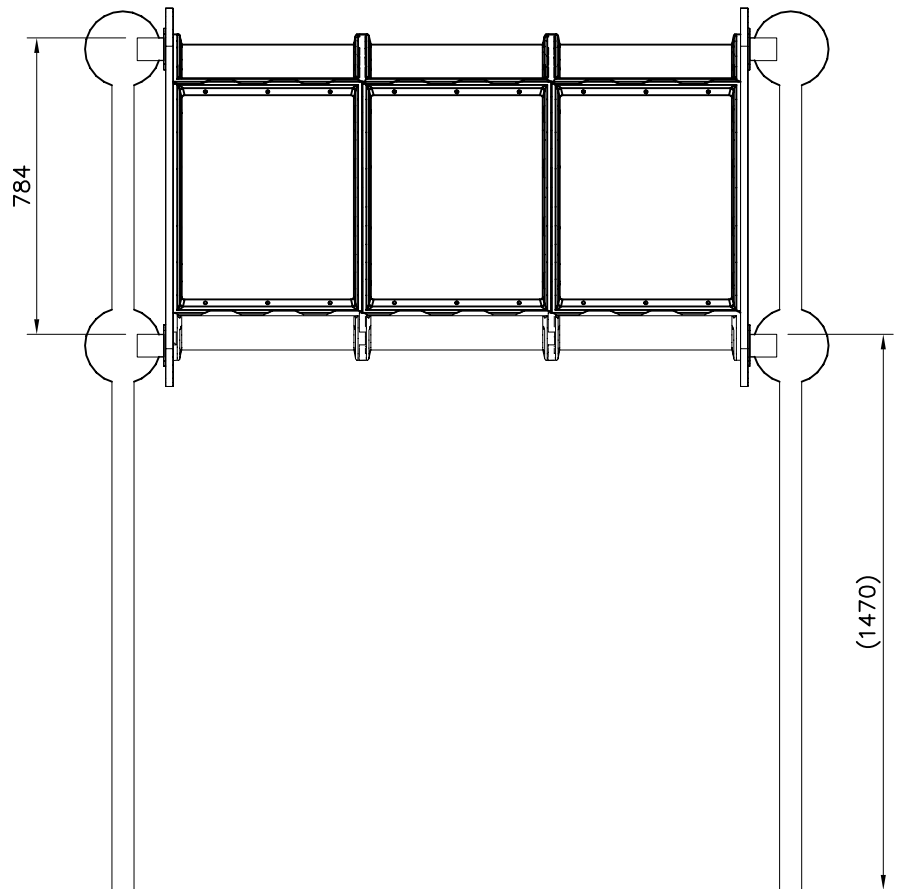
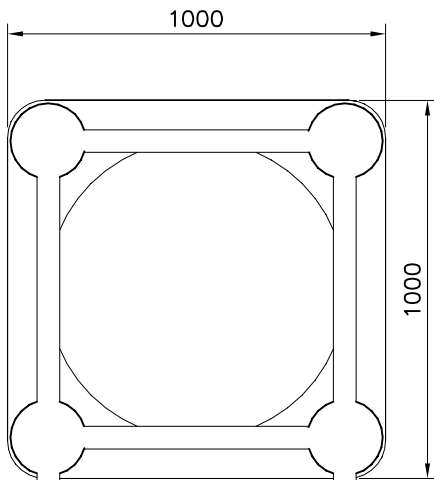
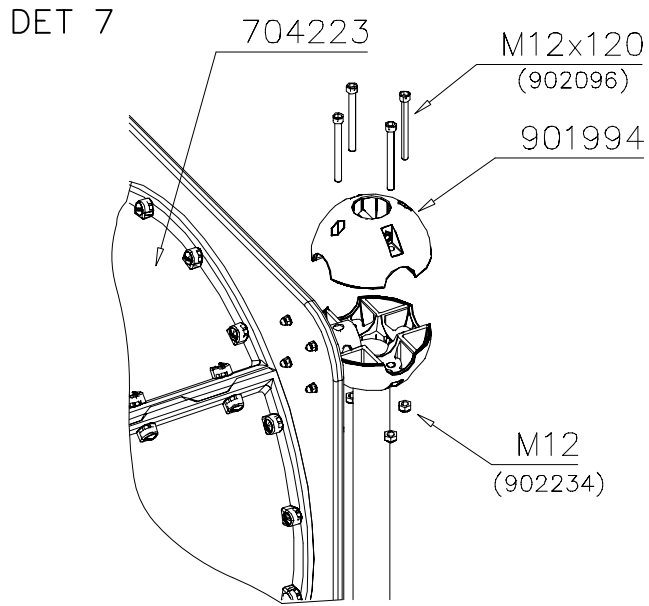




① 704222	PCS	② 904649	PCS
	2		8
1000x1000x20			
③ 905112	PCS	④ 905823	PCS
	168		3
Ø22		YELLOW	
⑤ 905829	PCS	⑥ 905831	PCS
	9		168
Transparent		Ø32x19	
⑦ 909205	PCS	⑧ 909208	PCS
	68		32
M8x60		M8	
⑨ 909256	PCS	⑩ 909633	PCS
	32		32
Ø16/8.4x1.6		M8	
⑪ 909855	PCS	⑫ 909866	PCS
	32		32
M8x35		M8x60	
⑬ 980150	PCS		PCS
	68		
M8			
	PCS		PCS

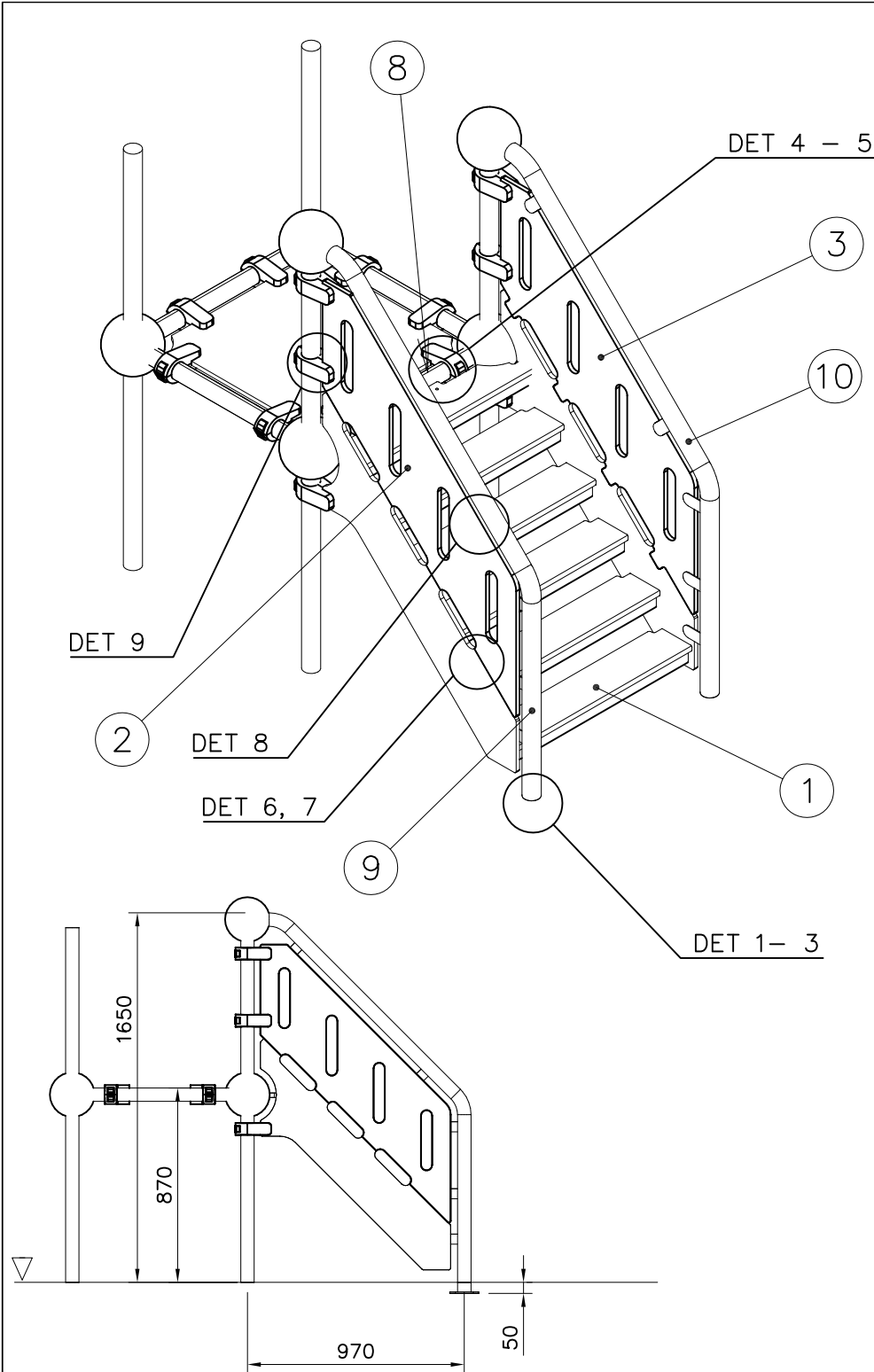




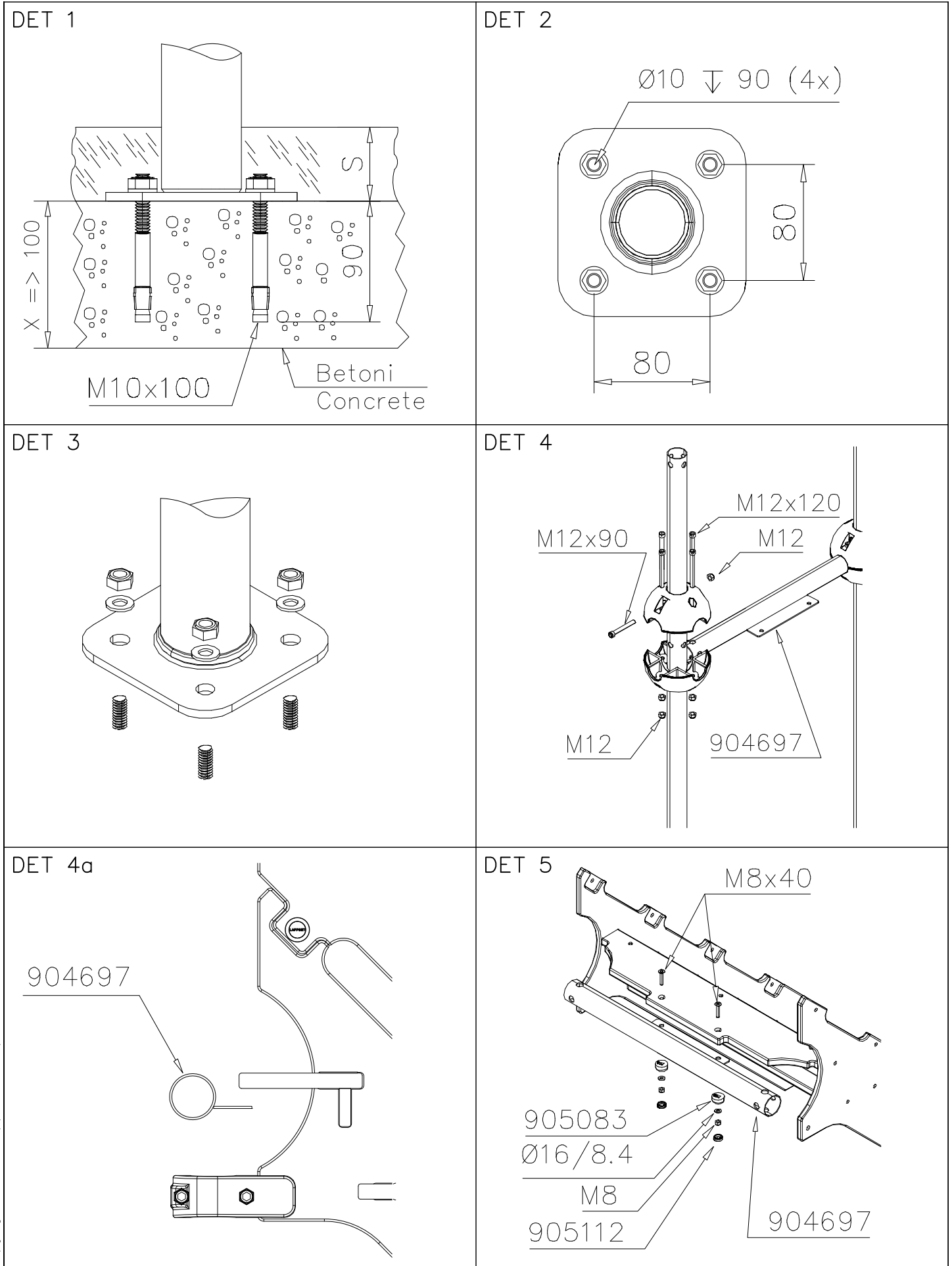


784

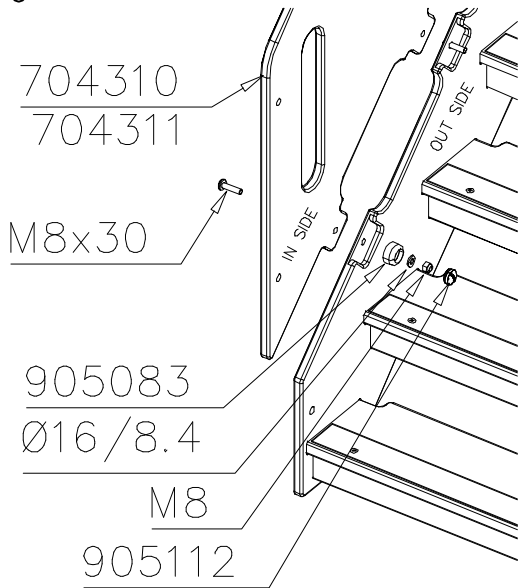
1766



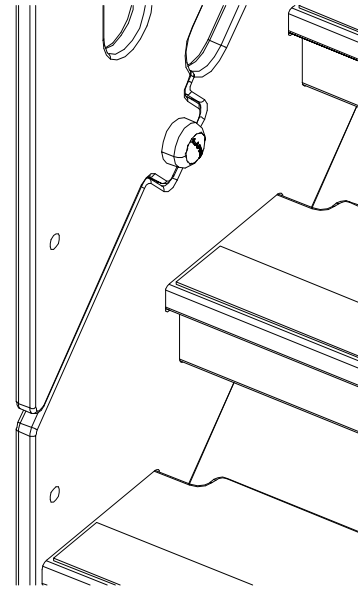
① 704309 +890	PCS 1	② 704310 405x1475x15	PCS 1
③ 704311 405x1475x15	PCS 1	④ 902124 150x50x50	PCS 12
⑤ 902232 M10x55	PCS 6	⑥ 902233 M10x30	PCS 6
⑦ 904068 M8x40	PCS 2	⑧ 904697 Ø60.3x2.9x710	PCS 1
⑨ 904735 LEFT	PCS 1	⑩ 904736 RIGHT	PCS 1
⑪ 905083 Ø32	PCS 20	⑫ 905112 Ø22	PCS 20
⑬ 909256 Ø16/8.4x1.6	PCS 20	⑭ 909852 M8x30	PCS 8
⑮ 909855 M8x35	PCS 10	⑯ 980160 M8	PCS 20
		⑰ 980161 M10	PCS 12
		⑱ 909628 M10x100	PCS 8



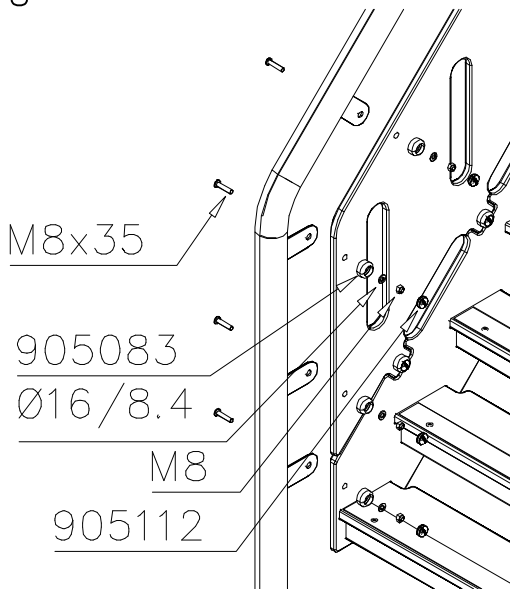
DET 6



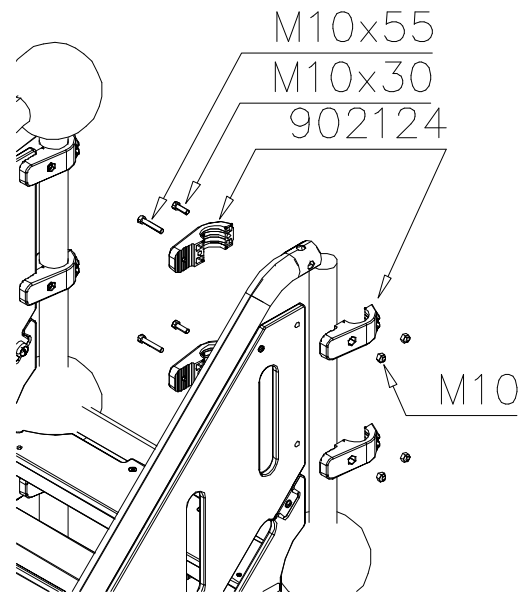
DET 7



DET 8



DET 9

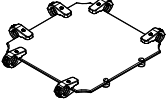
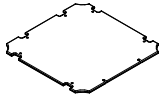
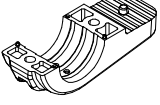
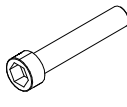
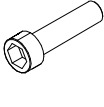
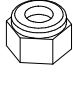
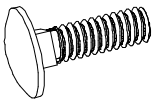
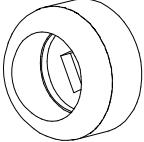
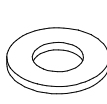
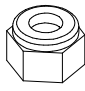
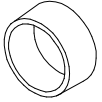
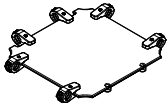
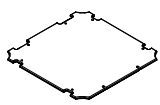
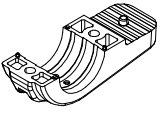
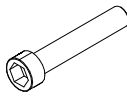
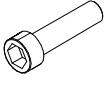
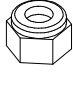
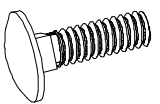
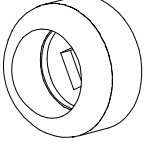
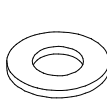
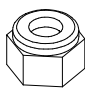
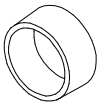
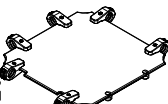
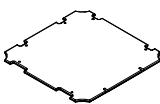
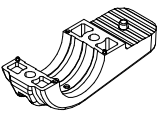
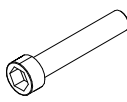
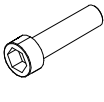
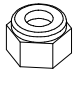
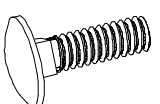
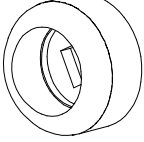
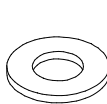
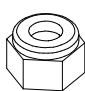
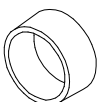


LAPPSET® FLOOR (SLIDE)

CLOXX

DATE: 3.10.2013

1(3)

○ 704432 	○ 704038 	PCS 1	○ 902124  150x50x50	PCS 12	○ 902232  M10x55	PCS 6	○ 902233  M10x30	PCS 6	○ 980161  M10	PCS 12		PCS
		PCS	○ 909109  M12x40	PCS 2	○ 905090  Ø45	PCS 2	○ 980154  Ø24/13	PCS 2	○ 909248  M12	PCS 2	○ 905115  Ø32	PCS 2
		PCS		PCS		PCS		PCS		PCS		PCS
○ 704447 	○ 704446 	PCS 1	○ 902124  150x50x50	PCS 12	○ 902232  M10x55	PCS 6	○ 902233  M10x30	PCS 6	○ 980161  M10	PCS 12		PCS
		PCS	○ 909109  M12x40	PCS 2	○ 905090  Ø45	PCS 2	○ 980154  Ø24/13	PCS 2	○ 909248  M12	PCS 2	○ 905115  Ø32	PCS 2
		PCS		PCS		PCS		PCS		PCS		PCS
○ 704666 	○ 704667 	PCS 1	○ 902124  150x50x50	PCS 12	○ 902232  M10x55	PCS 6	○ 902233  M10x30	PCS 6	○ 980161  M10	PCS 12		PCS
		PCS	○ 909109  M12x40	PCS 2	○ 905090  Ø45	PCS 2	○ 980154  Ø24/13	PCS 2	○ 909248  M12	PCS 2	○ 905115  Ø32	PCS 2
		PCS		PCS		PCS		PCS		PCS		PCS

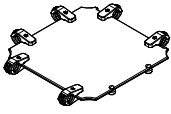
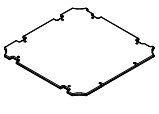
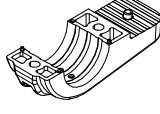
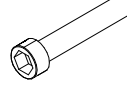
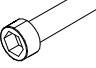
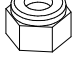
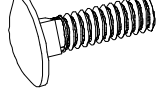
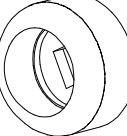

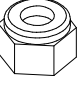

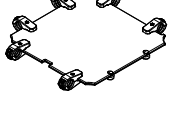
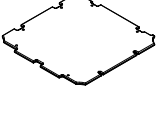
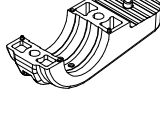
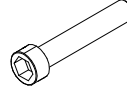
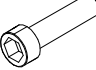
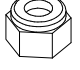
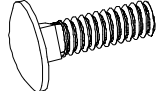
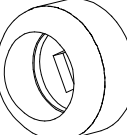



LAPPSET®

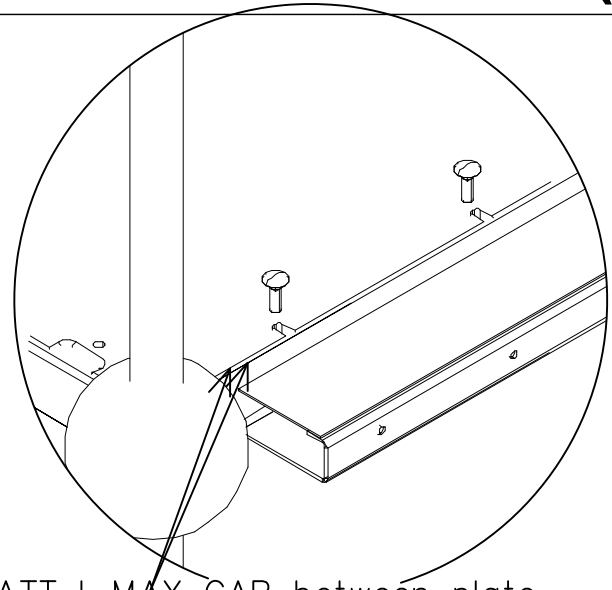
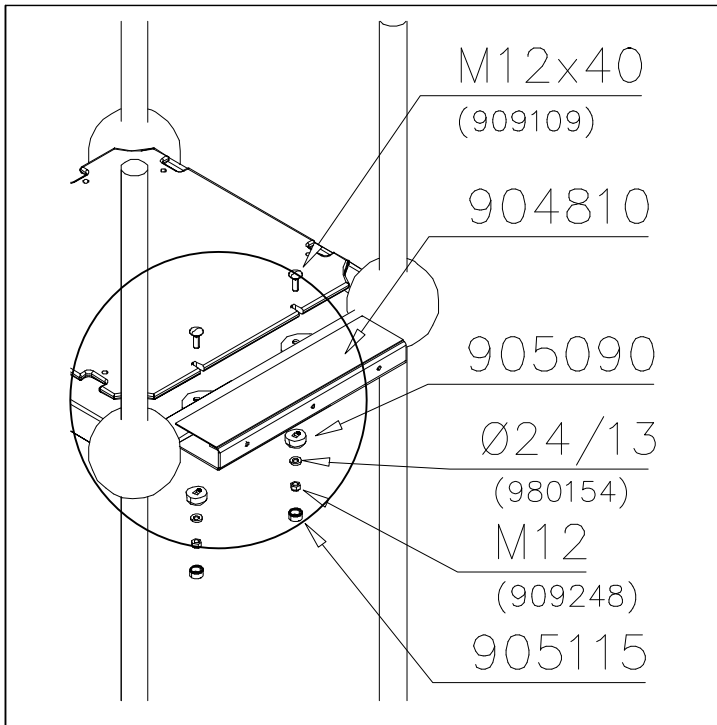
FLOOR (SLIDE)

CLOXX

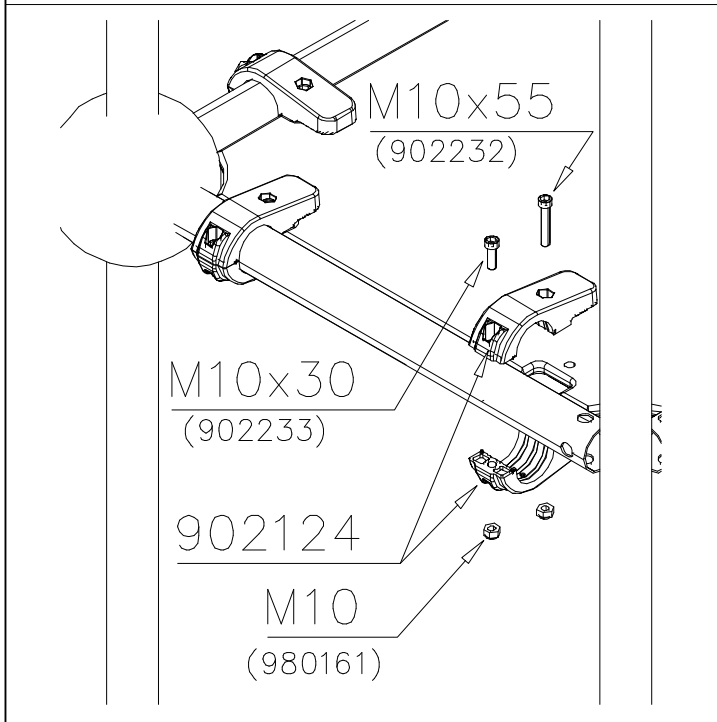
DATE: 3.10.2013

2(3)

○ 704684	○ 704685	PCS 1	○ 902124	PCS 12	○ 902232	PCS 6	○ 902233	PCS 6	○ 980161	PCS 12		PCS
			 150x50x50		 M10x55		 M10x30		 M10			
		PCS	○ 909109	PCS 2	○ 905090	PCS 2	○ 980154	PCS 2	○ 909248	PCS 2	○ 905115	PCS 2
			 M12x40		 Ø45		 Ø24/13		 M12		 Ø32	
		PCS		PCS		PCS		PCS		PCS		PCS
○ 704692	○ 704693	PCS 1	○ 902124	PCS 12	○ 902232	PCS 6	○ 902233	PCS 6	○ 980161	PCS 12		PCS
			 150x50x50		 M10x55		 M10x30		 M10			
		PCS	○ 909109	PCS 2	○ 905090	PCS 2	○ 980154	PCS 2	○ 909248	PCS 2	○ 905115	PCS 2
			 M12x40		 Ø45		 Ø24/13		 M12		 Ø32	
		PCS		PCS		PCS		PCS		PCS		PCS
		PCS		PCS		PCS		PCS		PCS		PCS

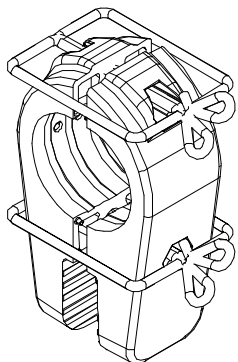
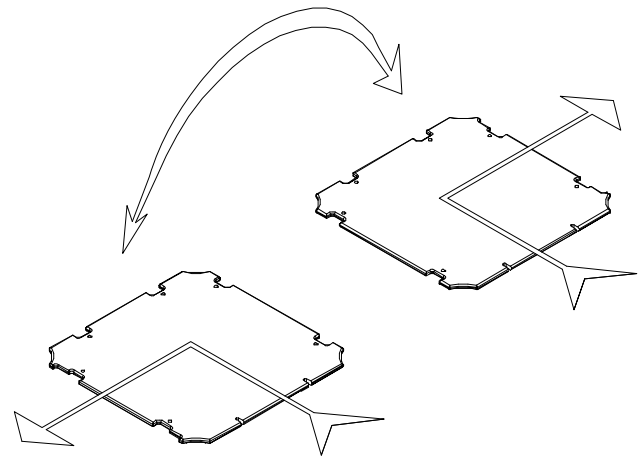


ATT ! MAX GAP between plate
and tube is 6mm
 HUOM ! MAKSIMI VÄLI lattialevyllä
ja putkella on 6mm



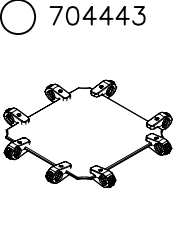
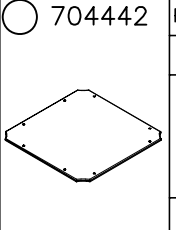
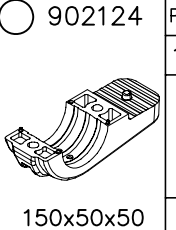
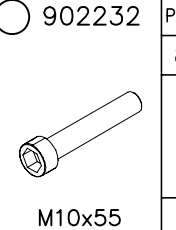
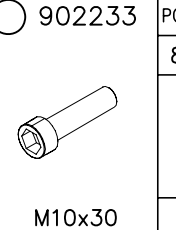
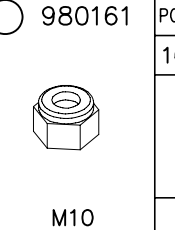
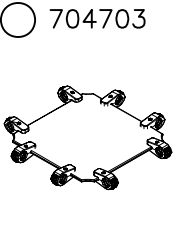
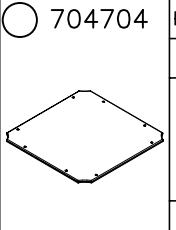
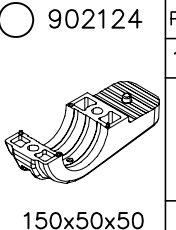
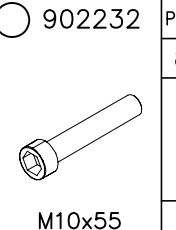
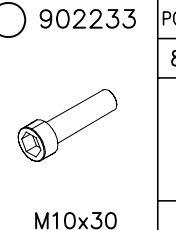
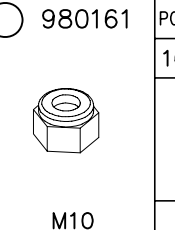
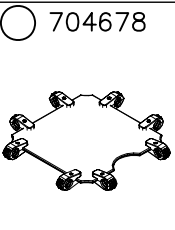
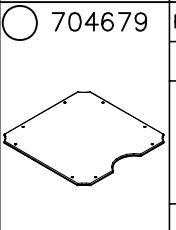
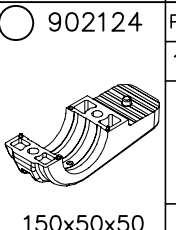
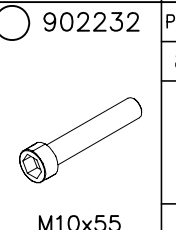
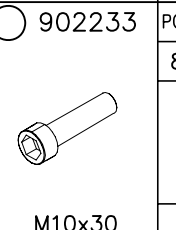
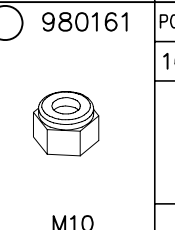
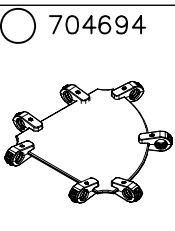
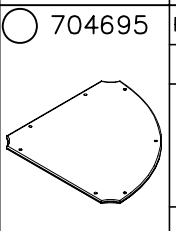
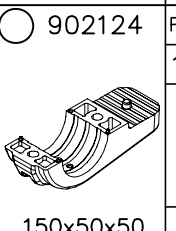
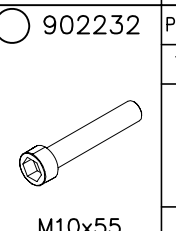
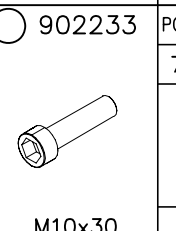
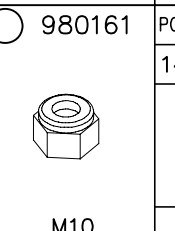
KÄYTÄ TARVITTAESSA SAMAA LEVYÄ
VASEMALLE TAI OIKEALLE.

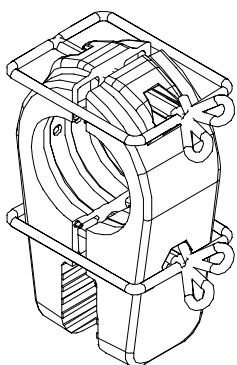
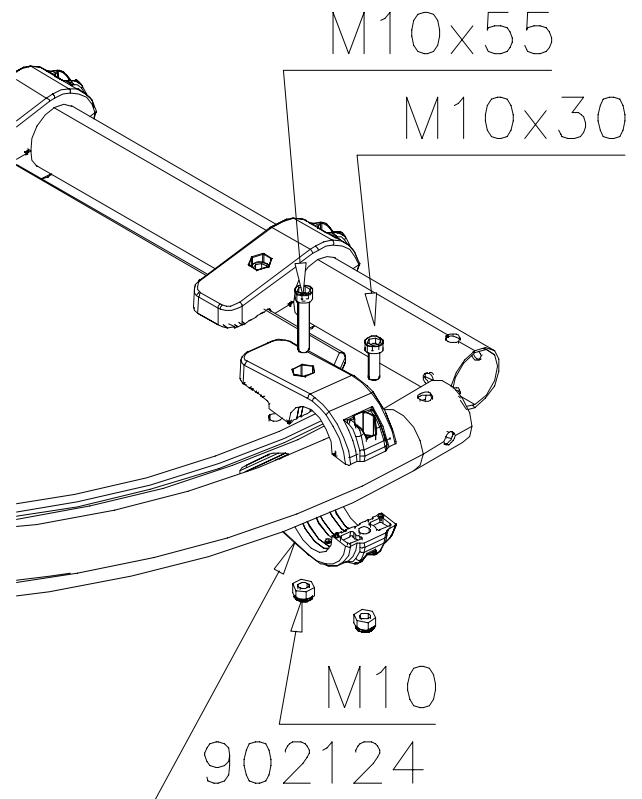
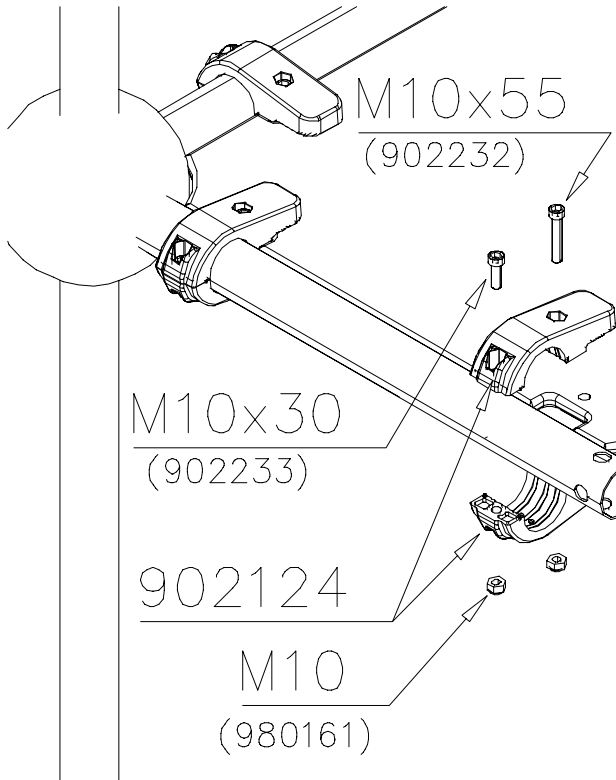
IF NECESSARY USE SAME PLATE LEFT
OR RIGHT.



NOTE:
Use a wire marked pairs
of the same junction.

Huom!
Käytä langalla merkittyä
paria samassa liitoksessa.

 <p>704443</p>	 <p>704442</p>	<p>PCS</p> <p>1</p>	 <p>902124</p> <p>150x50x50</p>	<p>PCS</p> <p>16</p>	 <p>902232</p> <p>M10x55</p>	<p>PCS</p> <p>8</p>	 <p>902233</p> <p>M10x30</p>	<p>PCS</p> <p>8</p>	 <p>980161</p> <p>M10</p>	<p>PCS</p> <p>16</p>		<p>PCS</p>
 <p>704703</p>	 <p>704704</p>	<p>PCS</p> <p>1</p>	 <p>902124</p> <p>150x50x50</p>	<p>PCS</p> <p>16</p>	 <p>902232</p> <p>M10x55</p>	<p>PCS</p> <p>8</p>	 <p>902233</p> <p>M10x30</p>	<p>PCS</p> <p>8</p>	 <p>980161</p> <p>M10</p>	<p>PCS</p> <p>16</p>		<p>PCS</p>
 <p>704678</p>	 <p>704679</p>	<p>PCS</p> <p>1</p>	 <p>902124</p> <p>150x50x50</p>	<p>PCS</p> <p>16</p>	 <p>902232</p> <p>M10x55</p>	<p>PCS</p> <p>8</p>	 <p>902233</p> <p>M10x30</p>	<p>PCS</p> <p>8</p>	 <p>980161</p> <p>M10</p>	<p>PCS</p> <p>16</p>		<p>PCS</p>
 <p>704694</p>	 <p>704695</p>	<p>PCS</p> <p>1</p>	 <p>902124</p> <p>150x50x50</p>	<p>PCS</p> <p>14</p>	 <p>902232</p> <p>M10x55</p>	<p>PCS</p> <p>7</p>	 <p>902233</p> <p>M10x30</p>	<p>PCS</p> <p>7</p>	 <p>980161</p> <p>M10</p>	<p>PCS</p> <p>14</p>		<p>PCS</p>
		<p>PCS</p>		<p>PCS</p>		<p>PCS</p>		<p>PCS</p>		<p>PCS</p>		<p>PCS</p>
		<p>PCS</p>		<p>PCS</p>		<p>PCS</p>		<p>PCS</p>		<p>PCS</p>		<p>PCS</p>
		<p>PCS</p>		<p>PCS</p>		<p>PCS</p>		<p>PCS</p>		<p>PCS</p>		<p>PCS</p>
		<p>PCS</p>		<p>PCS</p>		<p>PCS</p>		<p>PCS</p>		<p>PCS</p>		<p>PCS</p>



NOTE:

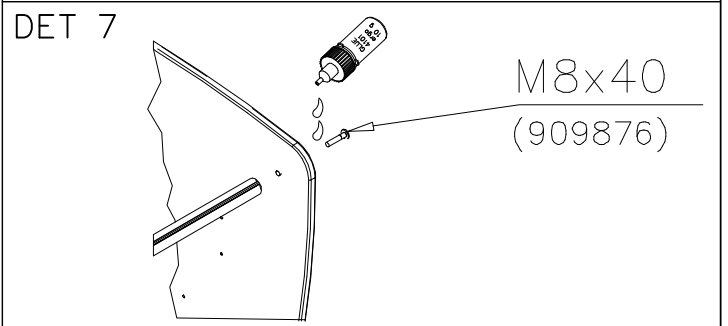
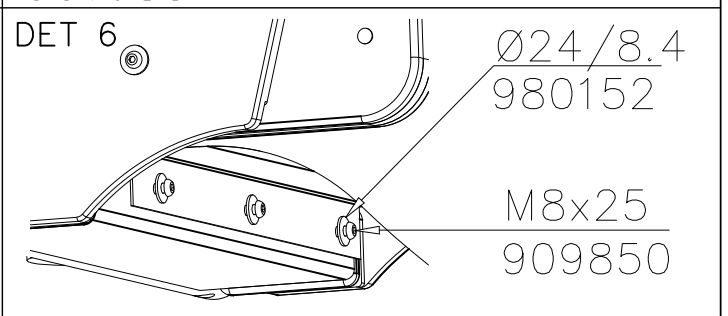
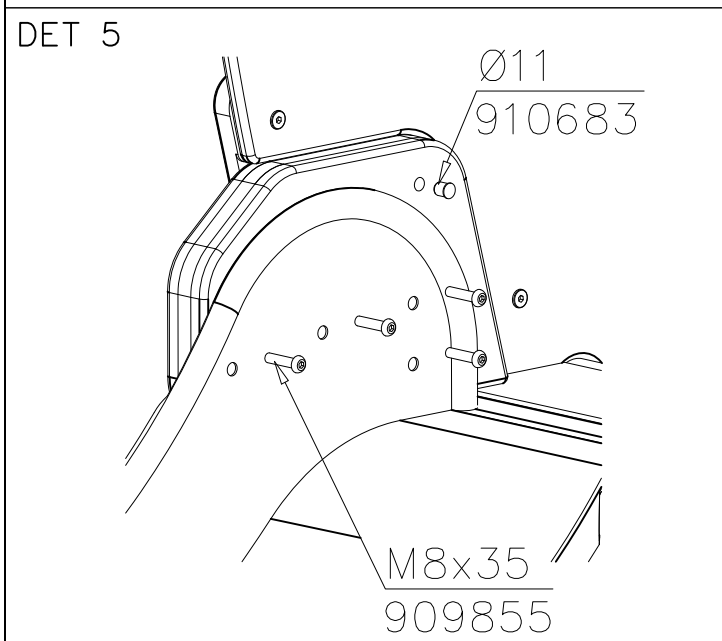
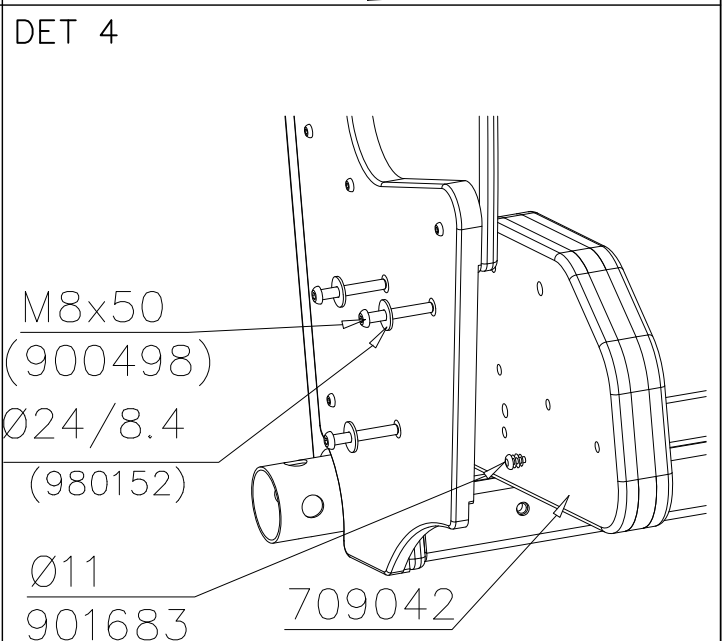
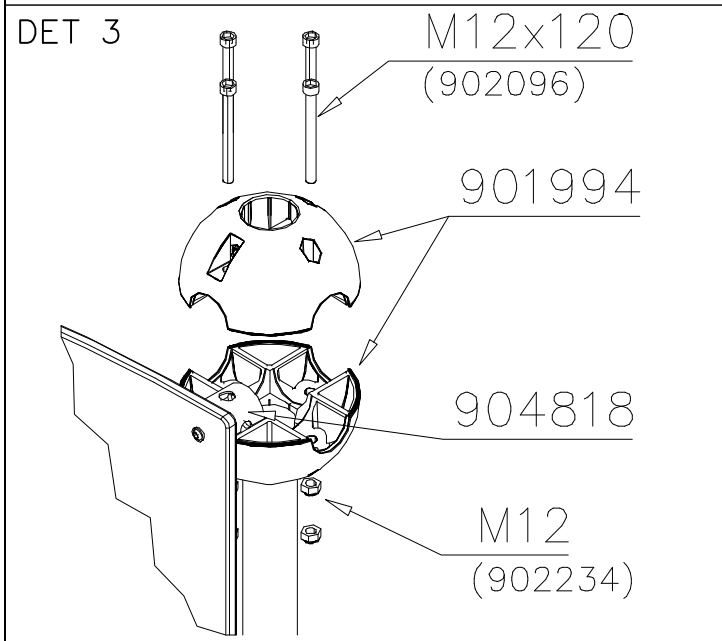
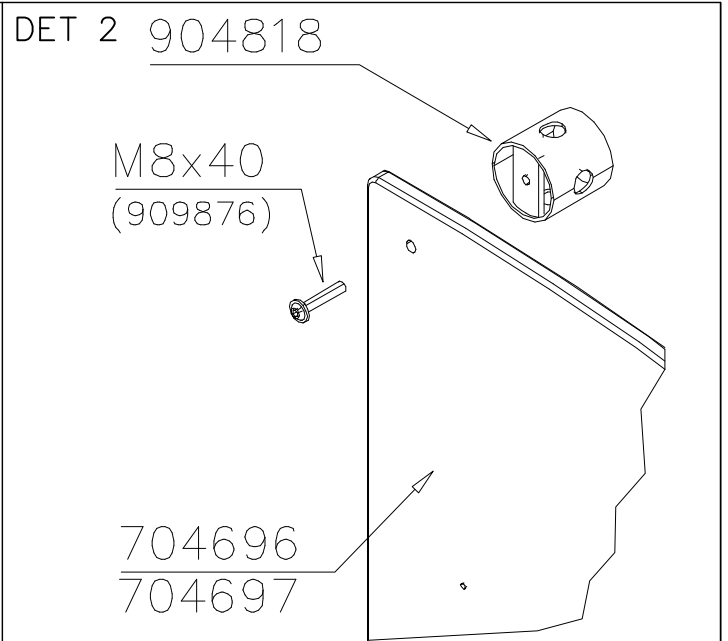
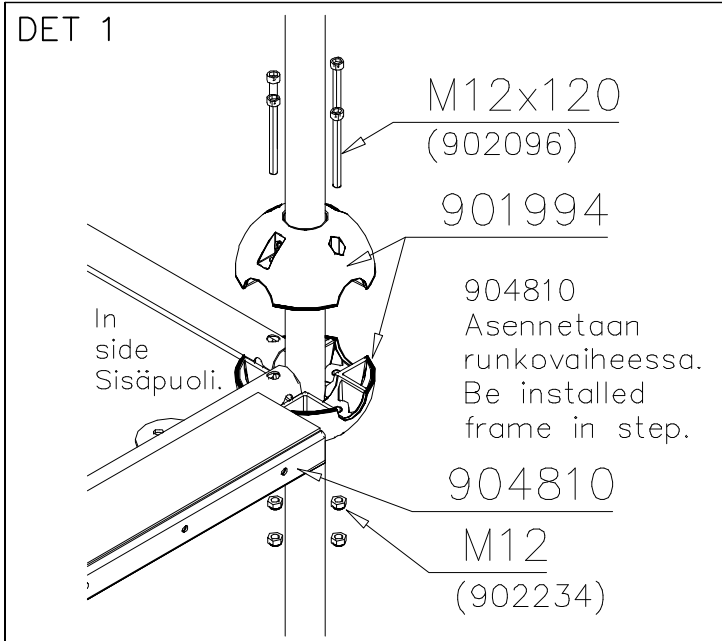
Use a wire marked pairs of the same junction.

Huom!

Käytä langalla merkittyä paria samassa liitoksessa.

Exploded view diagram of a mechanical assembly. The diagram shows various components labeled with circled numbers 1 through 13 and sub-assemblies labeled DET 1 through DET 7. Dimensions are provided for several parts: 860, 784, 468, and a range of (870-1470-1970-2070).

① 704696	PCS	② 704697	PCS
	1		1
③ 904810	PCS	④ 904818	PCS
	1		2
⑤ 904833	PCS	⑥ 909876	PCS
	1		4
Ø30x565		M8x40	
⑦ 980152	PCS	⑧ 900498	PCS
	9		6
Ø24/8.4		M8x50	
⑨ 999561	PCS	⑩ 709042	PCS
	1		2
10 g			
		⑪ 909855	PCS
			8
		M8x35	
		⑫ 910683	PCS
			4
		Ø11	
		⑬ 909850	PCS
			3
		M8x25	






LAPPSET

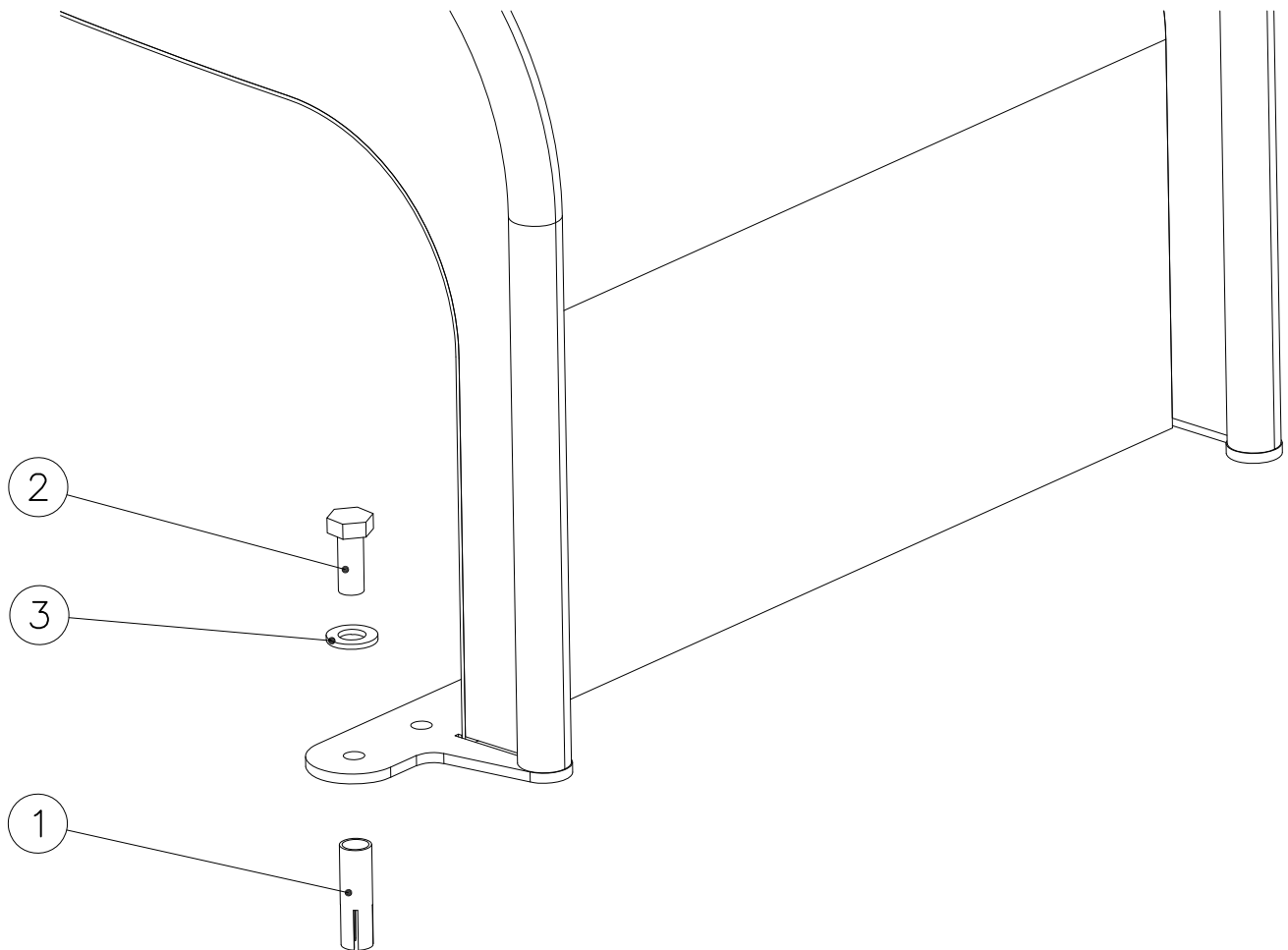
SURFACE FOUNDATION

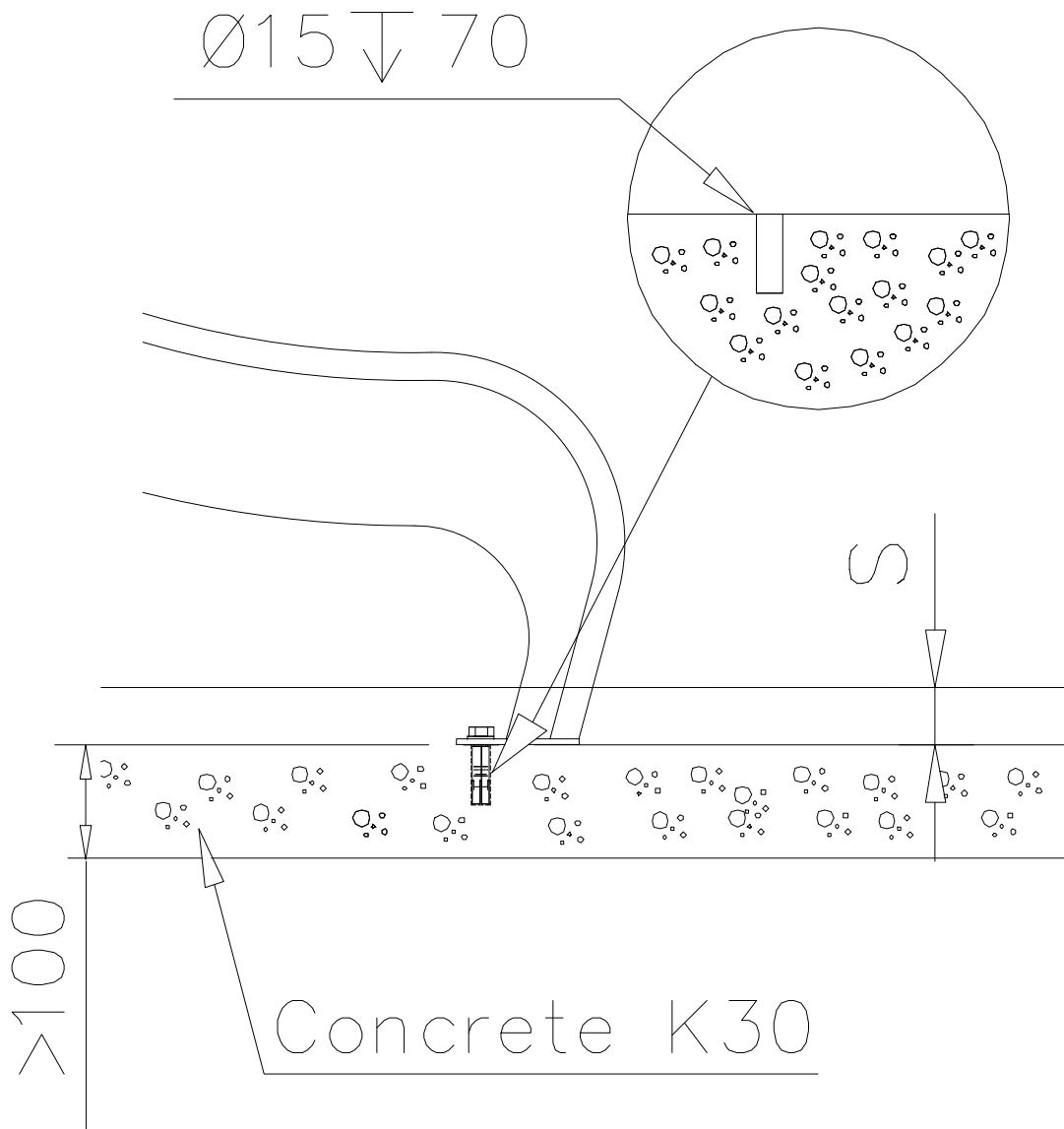
SLIDE METAL

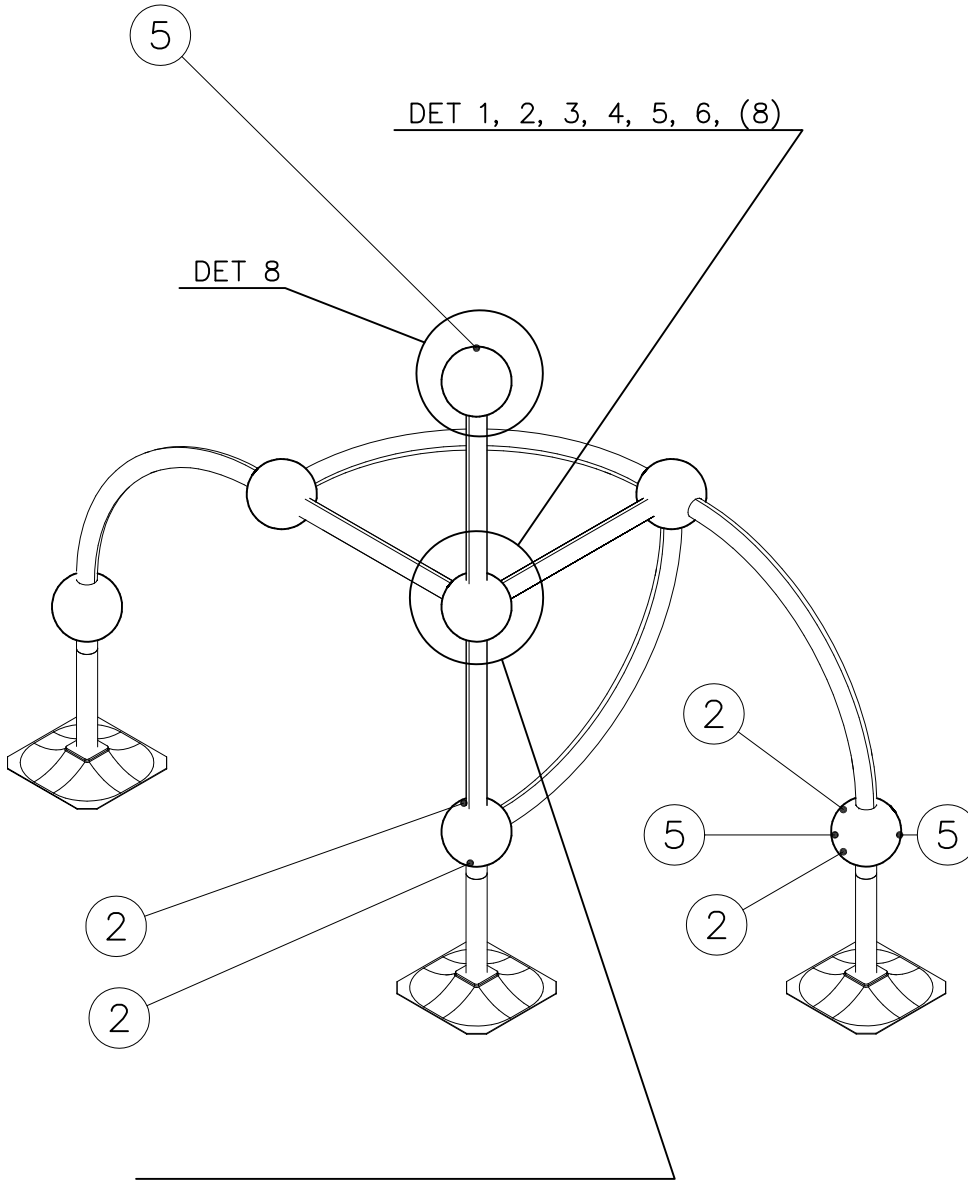
DATE: 13.2.2019

1(1)

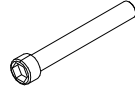
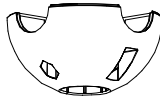
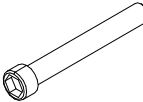

①	909509	PGS	②	903149	PCS	③	980154	PCS		PCS		PCS
		2			2			2				
	M12x50			M12x30			Ø24/13					



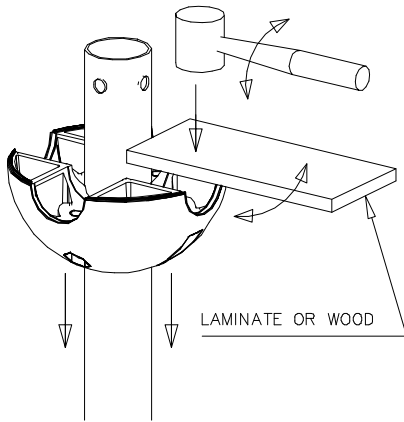




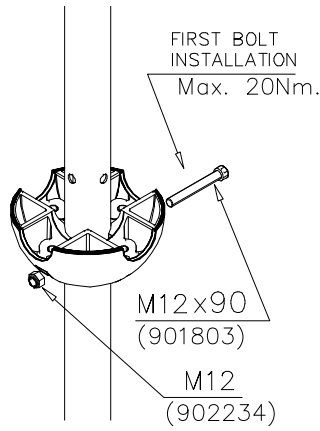
DO NOT TIGHTEN THE JOINTS UNTIL THE STRUCTURE IS COMPLETE.

① 901803	PCS	② 901994	PCS
	2		2
M12x90		Ø190	
③ 902096	PCS	④ 902234	PCS
	4		6
M12x120		M12	
	PCS		PCS
	PCS		PCS
	PCS		PCS
	PCS		PCS
	PCS		PCS
	PCS		PCS

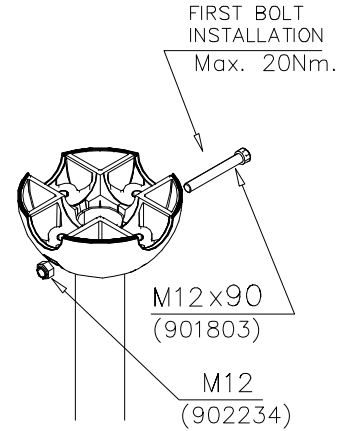
DET 1



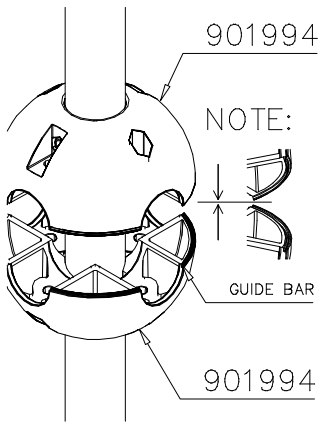
DET 2



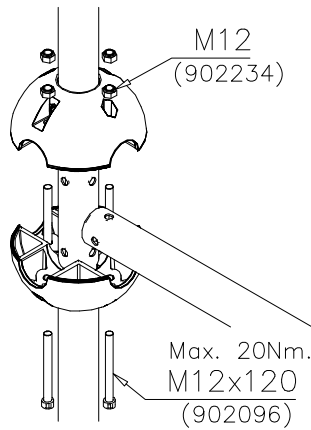
DET 3



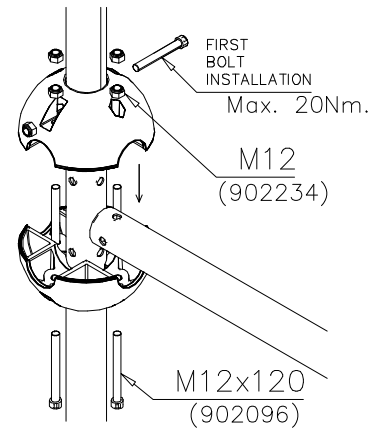
DET 4



DET 5

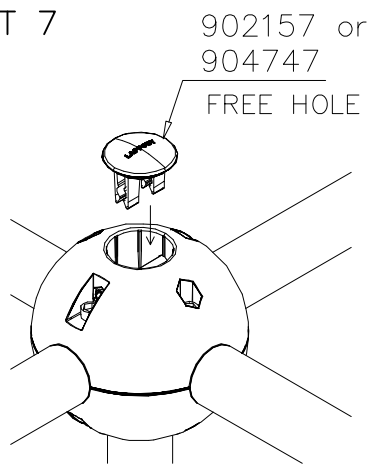


DET 6



REMEMBER
FINAL
TIGHTENING

DET 7



DET 8





Tuotekyltti tulee tuotteen mukana yhdellä seuraavista tavoista:

1) Metallinen tuotekyltti ja kiinnitysruuvit

- Kiinnitä tuotekyltti ruuveilla tolppaan noin 2 metrin korkeuteen kuvan 1 mukaisesti.

2) Tuotekylttitarra

- Puhdista maalattu metalli- tai vaneripinta pölystä ja kosteudesta. Liimaa tarra kuvan 2 mukaisesti.
- Huom. Älä kiinnitä tarraa karheapintaiseen laminaattiin tai maalattuun puuhun.

Vår produktmärkning levereras på ett av följande sätt:

1) Produktskylt i metall

- Fäst skylten med de medföljande skruvarna

2) Självhäftande produktetikett

- Rengör den pulverlackerade metallytan eller laminatyten så att den blir fri från smuts och fukt. Fäst etiketten enligt fig. 2.
- Obs! Fäst ej etiketten på detaljer med skrovlig yta eller på målat trä.

Product label is delivered by one of following ways:

1) Metal product label and screws

- Fasten the label with screws.

2) Label sticker

- Clean the painted metal or plywood surface from dirt and moisture. Fasten the sticker as shown in the figure 2.
- Note. Do not attach the sticker to rough surfaced laminate or painted wood.

La plaque d'informations produit est livrée sous l'une de ces 3 formes :

1) Plaque métallique et vis

- Fixez la plaque à l'aide des vis.

2) Etiquette autocollante

- Avant de coller l'étiquette, nettoyez le composant métallique peint ou la plaque de contreplaqué, de toute saleté. La surface doit être sèche (voir image 2).
- Attention, ne pas coller l'étiquette sur une surface lamellé-collée irrégulière ou sur du bois peint.

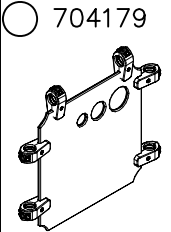
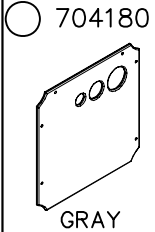
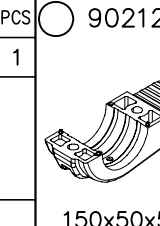
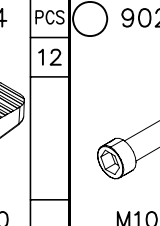
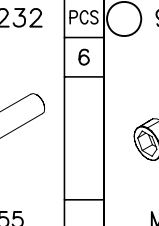
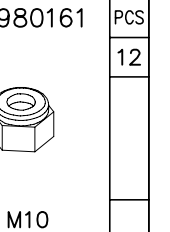
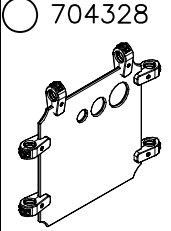
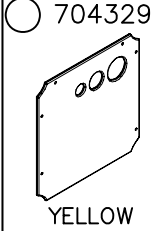
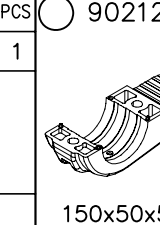
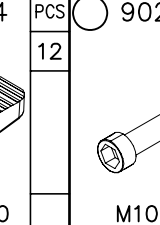
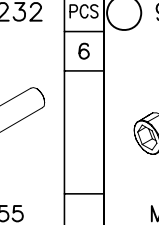
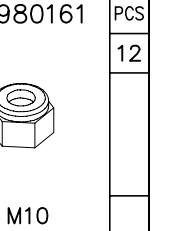
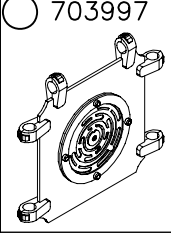
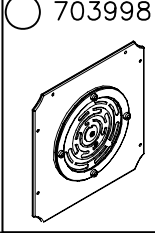
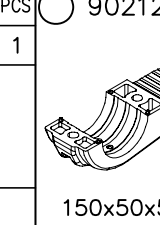
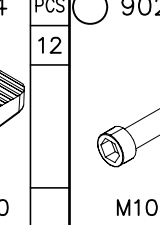
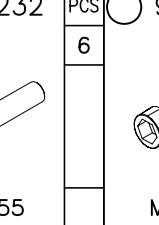
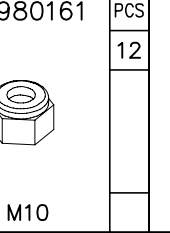
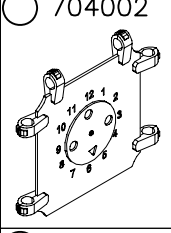
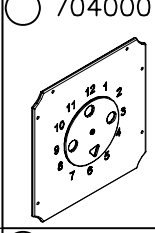
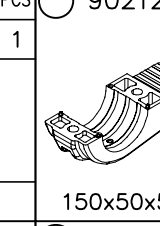
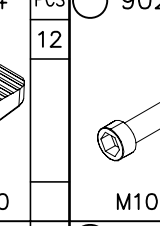
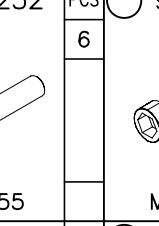
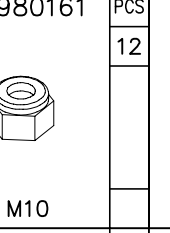
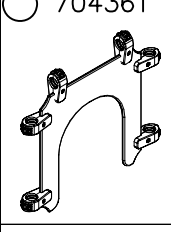
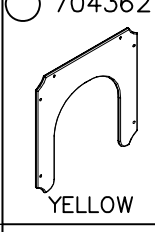
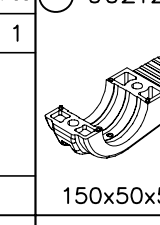
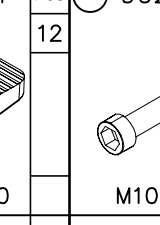
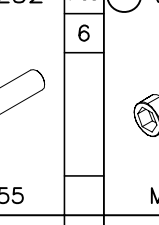
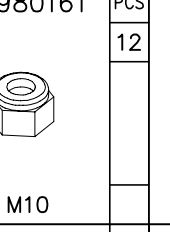
Die Auslieferung des Produktaufklebers erfolgt auf eine dieser Arten:

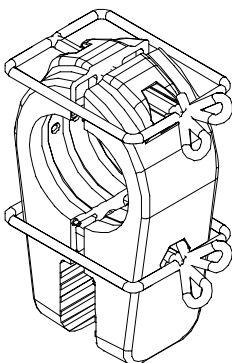
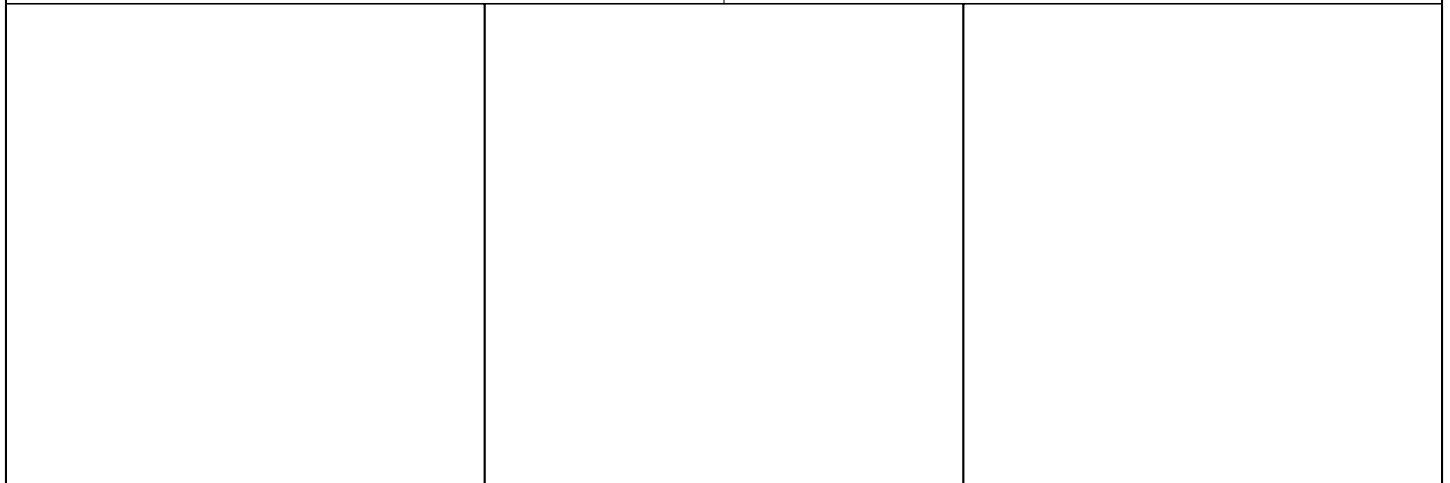
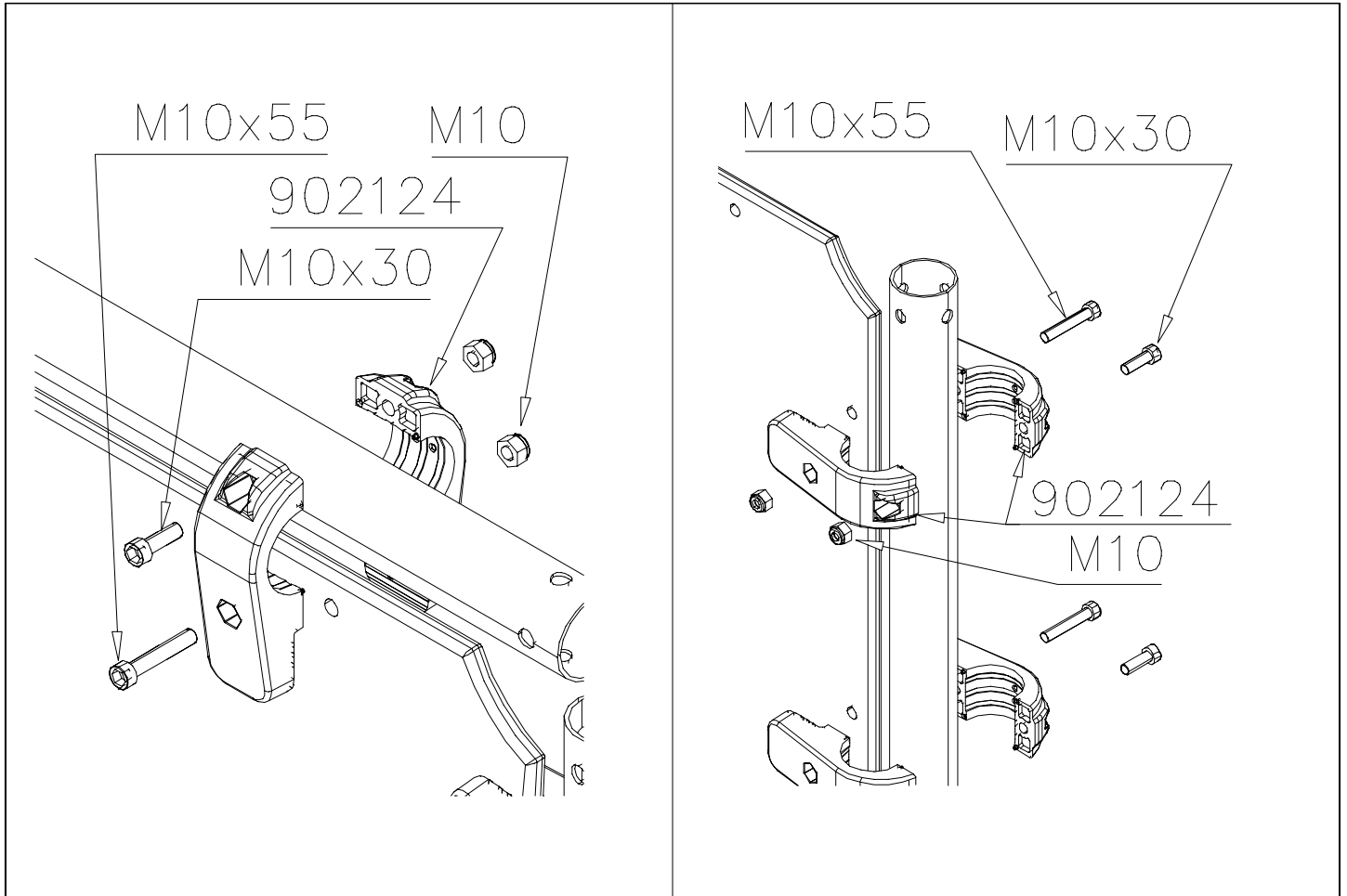
1) Produkt-Schild aus Metall incl. Schrauben

- Die Befestigung des Schildes erfolgt mittels der Schrauben.

2) Aufkleber

- Entfernen Sie zunächst Schmutz und Feuchtigkeit vom lackierten Metall bzw. von der Holzoberfläche und bringen Sie den Aufkleber wie im Bild oben rechts beschrieben auf den gesäuberten Untergrund auf.
- Beachten Sie: Bringen Sie den Aufkleber nicht auf raues laminiertes oder lackiertes Holz an.

 <p>704179</p>	 <p>704180 GRAY</p>	<p>PCS</p> <p>1</p>	 <p>902124</p> <p>150x50x50</p>	<p>PCS</p> <p>12</p>	 <p>902232</p> <p>M10x55</p>	<p>PCS</p> <p>6</p>	 <p>902233</p> <p>M10x30</p>	<p>PCS</p> <p>6</p>	 <p>980161</p> <p>M10</p>	<p>PCS</p> <p>12</p>		<p>PCS</p>
 <p>704328</p>	 <p>704329 YELLOW</p>	<p>PCS</p> <p>1</p>	 <p>902124</p> <p>150x50x50</p>	<p>PCS</p> <p>12</p>	 <p>902232</p> <p>M10x55</p>	<p>PCS</p> <p>6</p>	 <p>902233</p> <p>M10x30</p>	<p>PCS</p> <p>6</p>	 <p>980161</p> <p>M10</p>	<p>PCS</p> <p>12</p>		<p>PCS</p>
 <p>703997</p>	 <p>703998</p>	<p>PCS</p> <p>1</p>	 <p>902124</p> <p>150x50x50</p>	<p>PCS</p> <p>12</p>	 <p>902232</p> <p>M10x55</p>	<p>PCS</p> <p>6</p>	 <p>902233</p> <p>M10x30</p>	<p>PCS</p> <p>6</p>	 <p>980161</p> <p>M10</p>	<p>PCS</p> <p>12</p>		<p>PCS</p>
 <p>704002</p>	 <p>704000</p>	<p>PCS</p> <p>1</p>	 <p>902124</p> <p>150x50x50</p>	<p>PCS</p> <p>12</p>	 <p>902232</p> <p>M10x55</p>	<p>PCS</p> <p>6</p>	 <p>902233</p> <p>M10x30</p>	<p>PCS</p> <p>6</p>	 <p>980161</p> <p>M10</p>	<p>PCS</p> <p>12</p>		<p>PCS</p>
 <p>704361</p>	 <p>704362 YELLOW</p>	<p>PCS</p> <p>1</p>	 <p>902124</p> <p>150x50x50</p>	<p>PCS</p> <p>12</p>	 <p>902232</p> <p>M10x55</p>	<p>PCS</p> <p>6</p>	 <p>902233</p> <p>M10x30</p>	<p>PCS</p> <p>6</p>	 <p>980161</p> <p>M10</p>	<p>PCS</p> <p>12</p>		<p>PCS</p>
		<p>PCS</p>		<p>PCS</p>		<p>PCS</p>		<p>PCS</p>		<p>PCS</p>		<p>PCS</p>
		<p>PCS</p>		<p>PCS</p>		<p>PCS</p>		<p>PCS</p>		<p>PCS</p>		<p>PCS</p>
		<p>PCS</p>		<p>PCS</p>		<p>PCS</p>		<p>PCS</p>		<p>PCS</p>		<p>PCS</p>

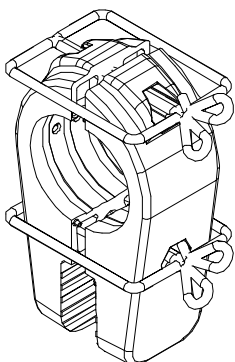
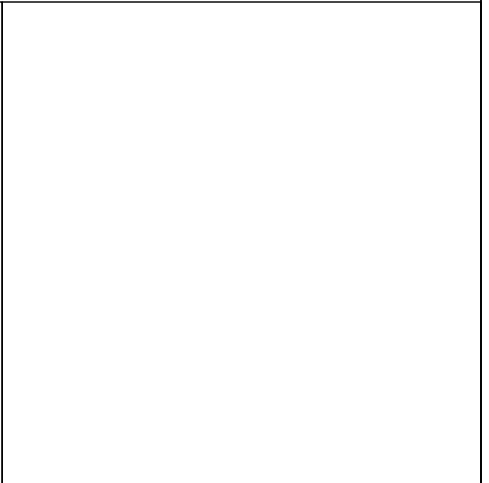
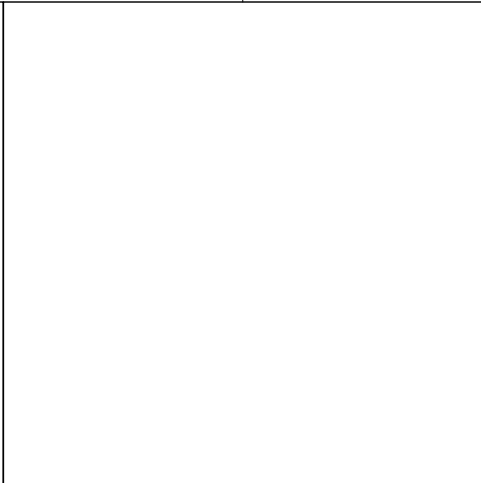
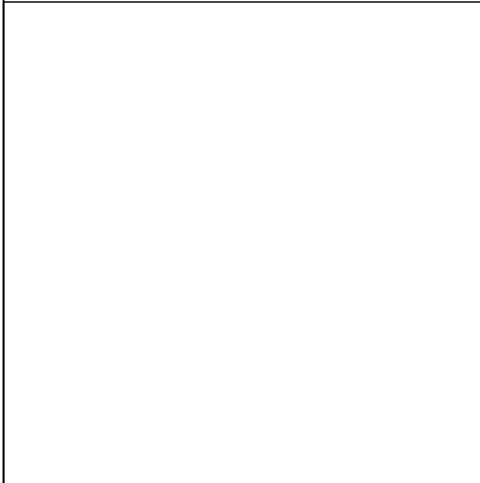
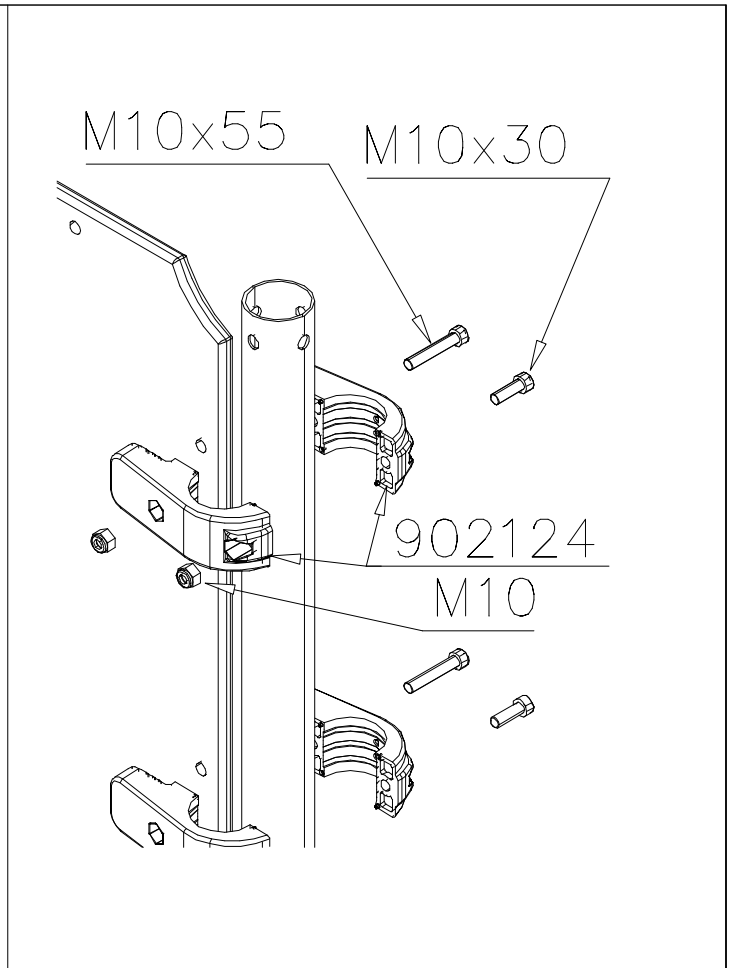
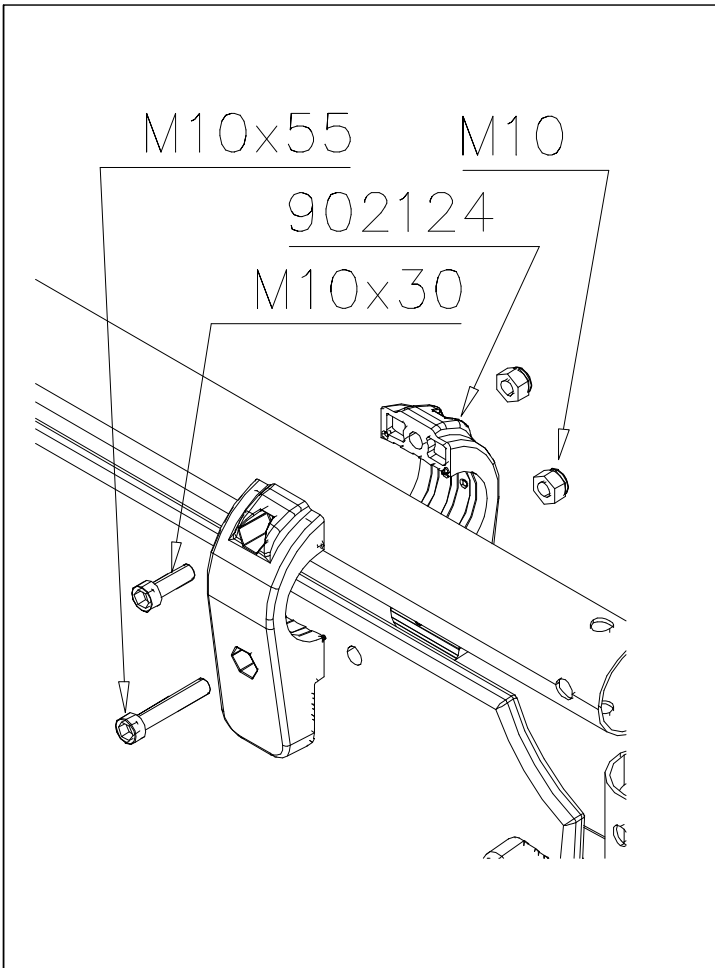


NOTE:

Use a wire marked pairs of the same junction.

Huom!

Käytä langalla merkittyä paria samassa liitoksessa.



NOTE:
 Use a wire marked pairs
 of the same junction.

Huom!
 Käytä langalla merkittyä
 paria samassa liitoksessa.

HUOM!

Otepalan asennus, säätö tai paikan vaihto.

Säätömahdollisuus (90°,180°,270°).

Jos asennetun otepalan suunta- tai paikkaa halutaan muuttaa.

Irrota otepalan kiinnityspultti ja otepala, käännä tai vaihda.

Siirrä tarvittaessa tappi oikeaan upotusreikään. Asenna avatut osat paikoilleen ja lopuksi kiinnitä muovitulppa Ø30 paikoilleen kaikkiin otekokoonpanoihin.

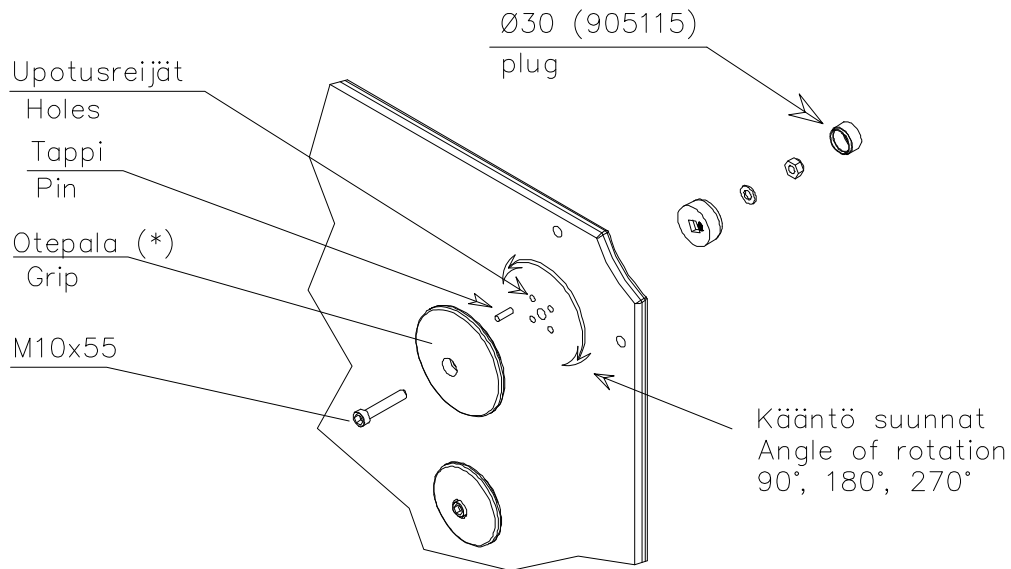
NOTE:

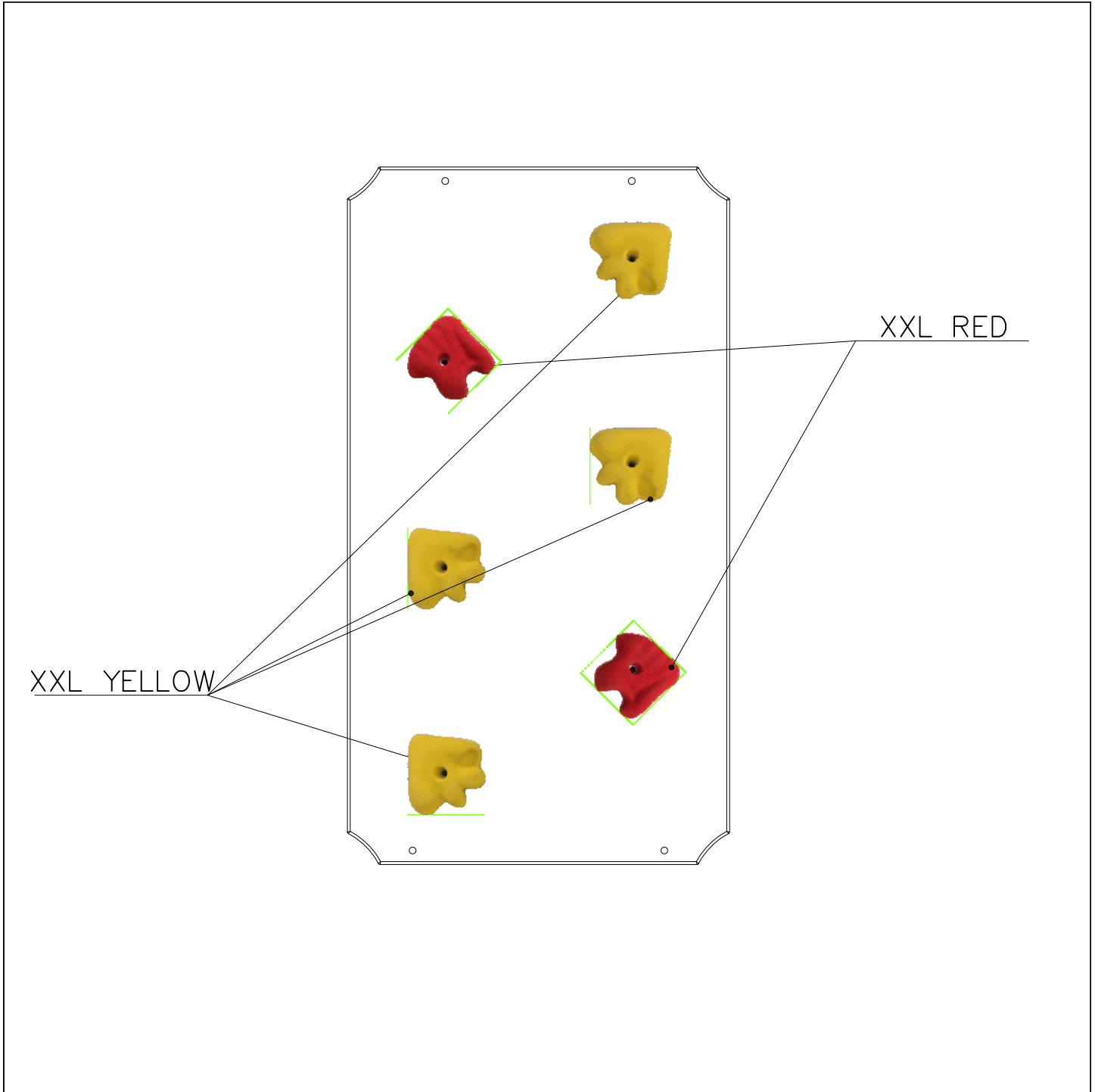
Grip positions and angles are adjustable (90°,180°270°).

Grip can be repositioned by removing the fastening bolt and pulling the grip off.

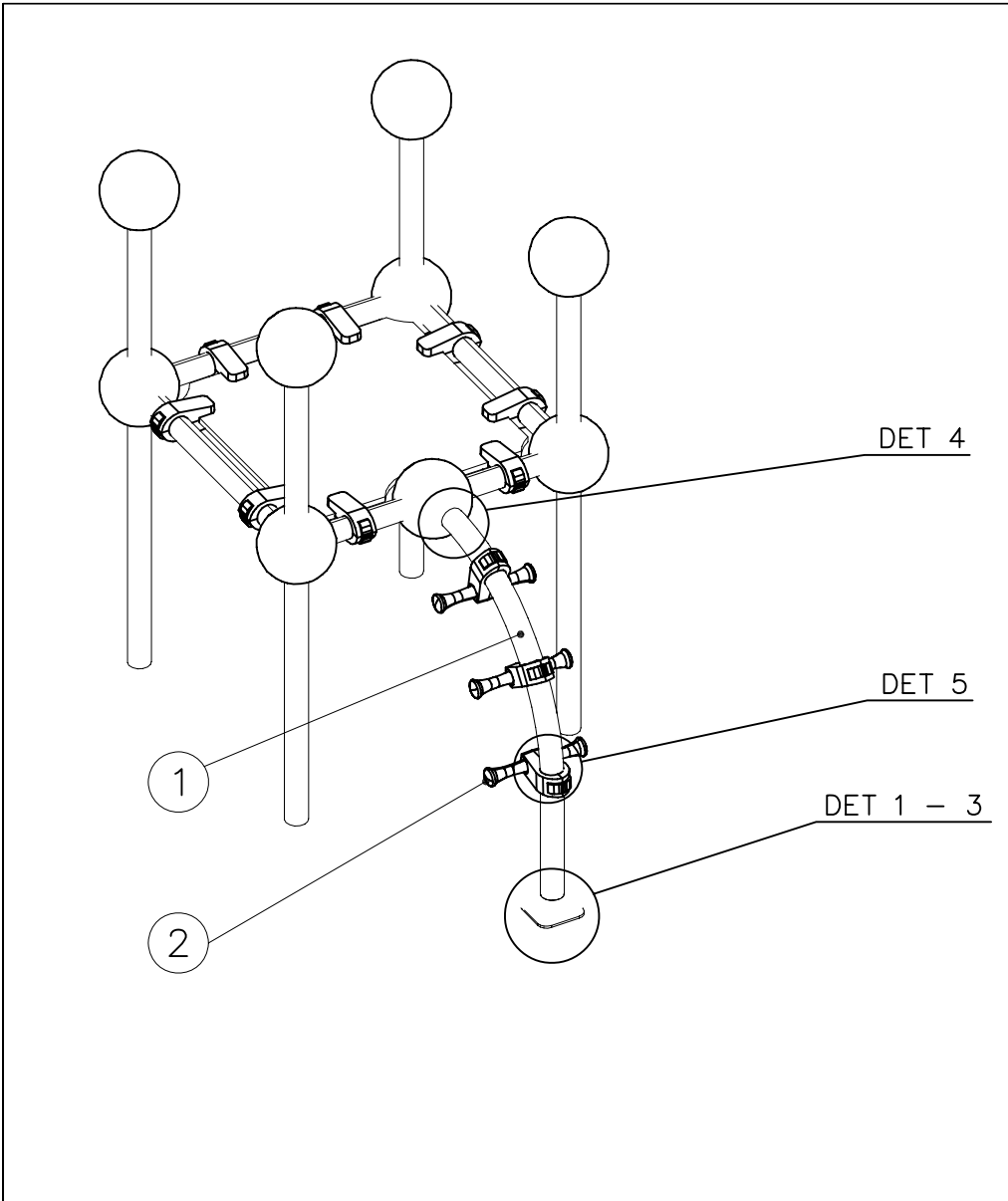
Securing pin can be repositioned when angle is changed.

After the parts are reassembled. Finish the assembly by fastening the cover plugs (Ø30).

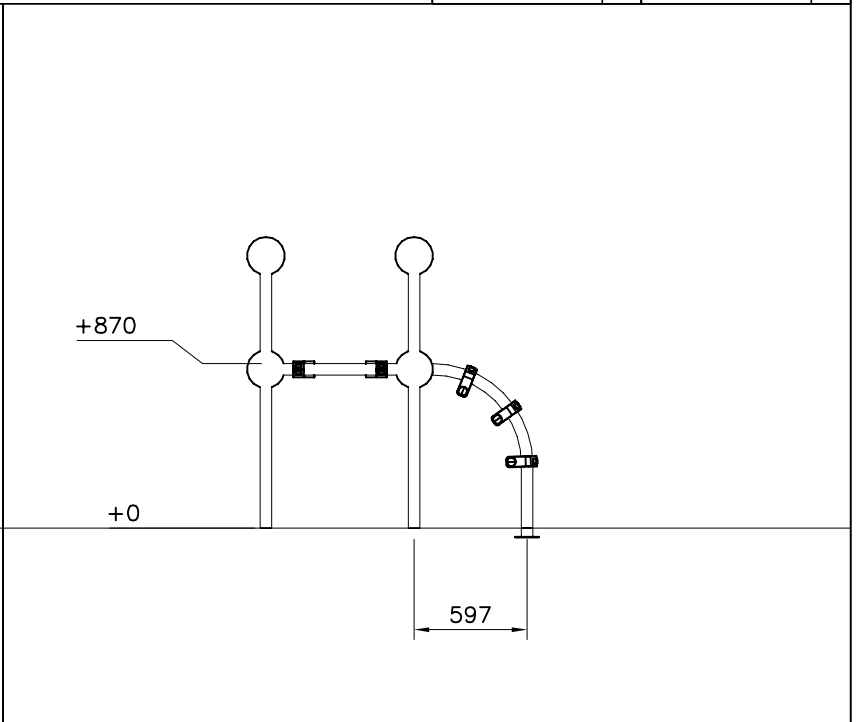
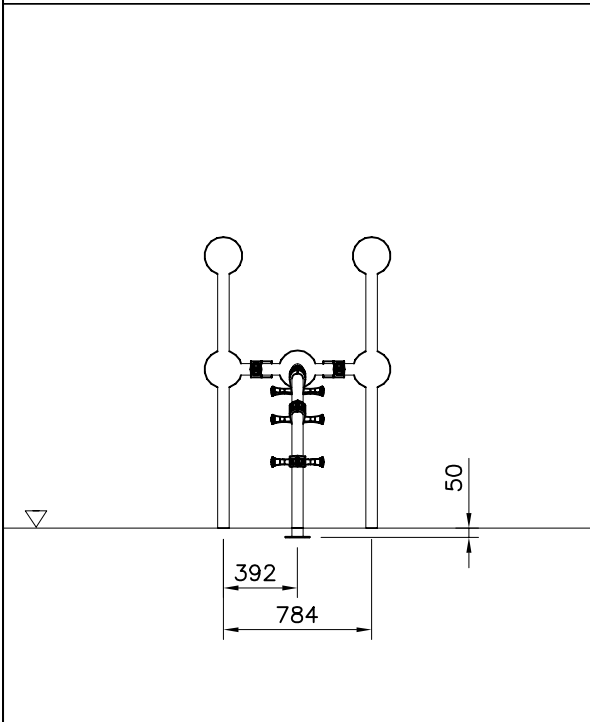


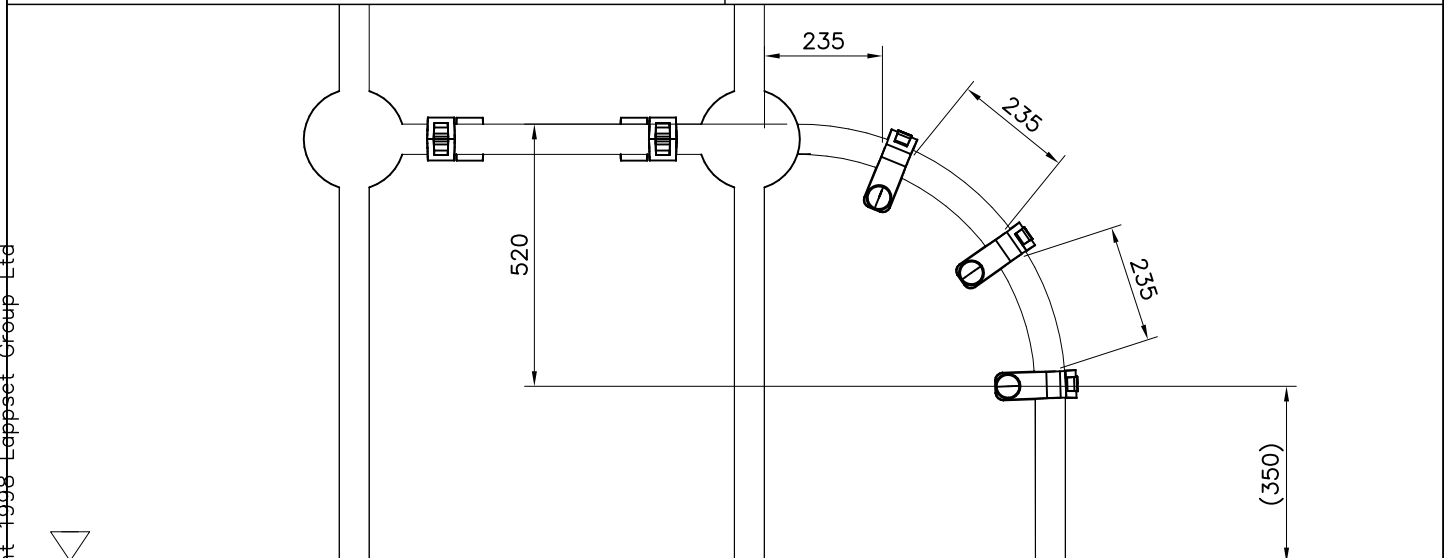
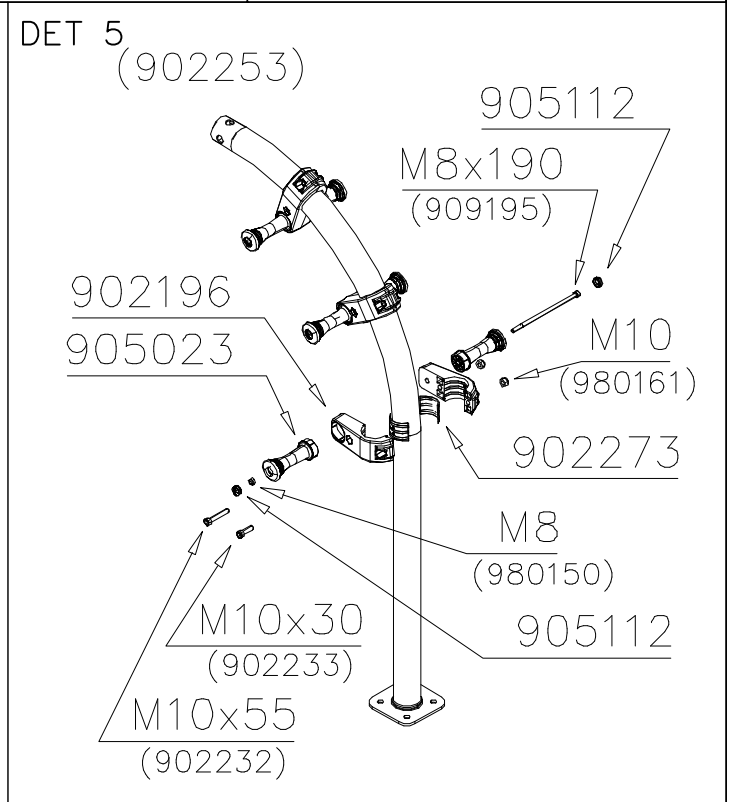
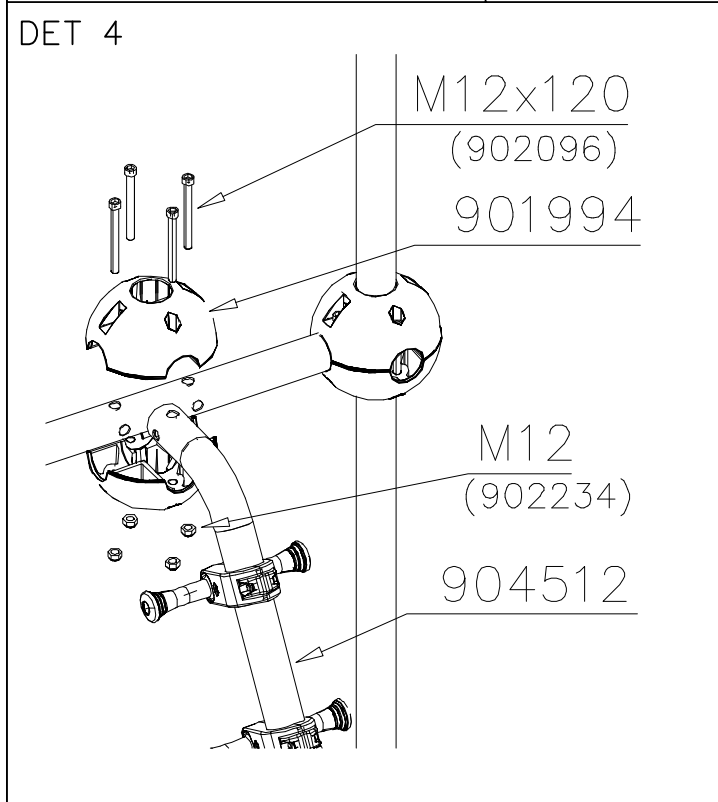
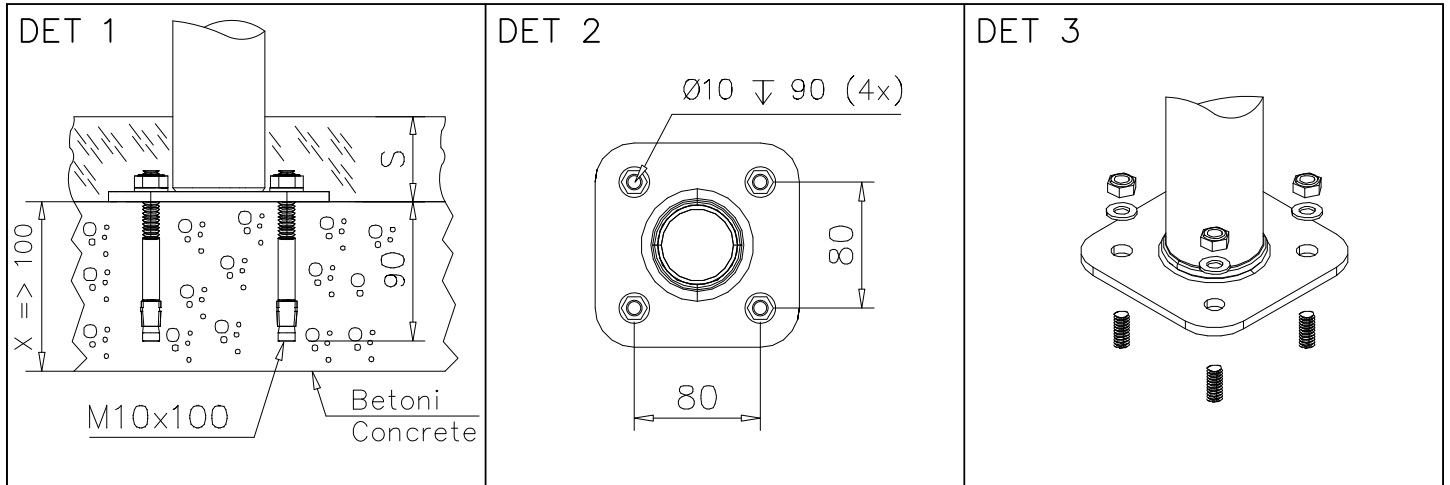


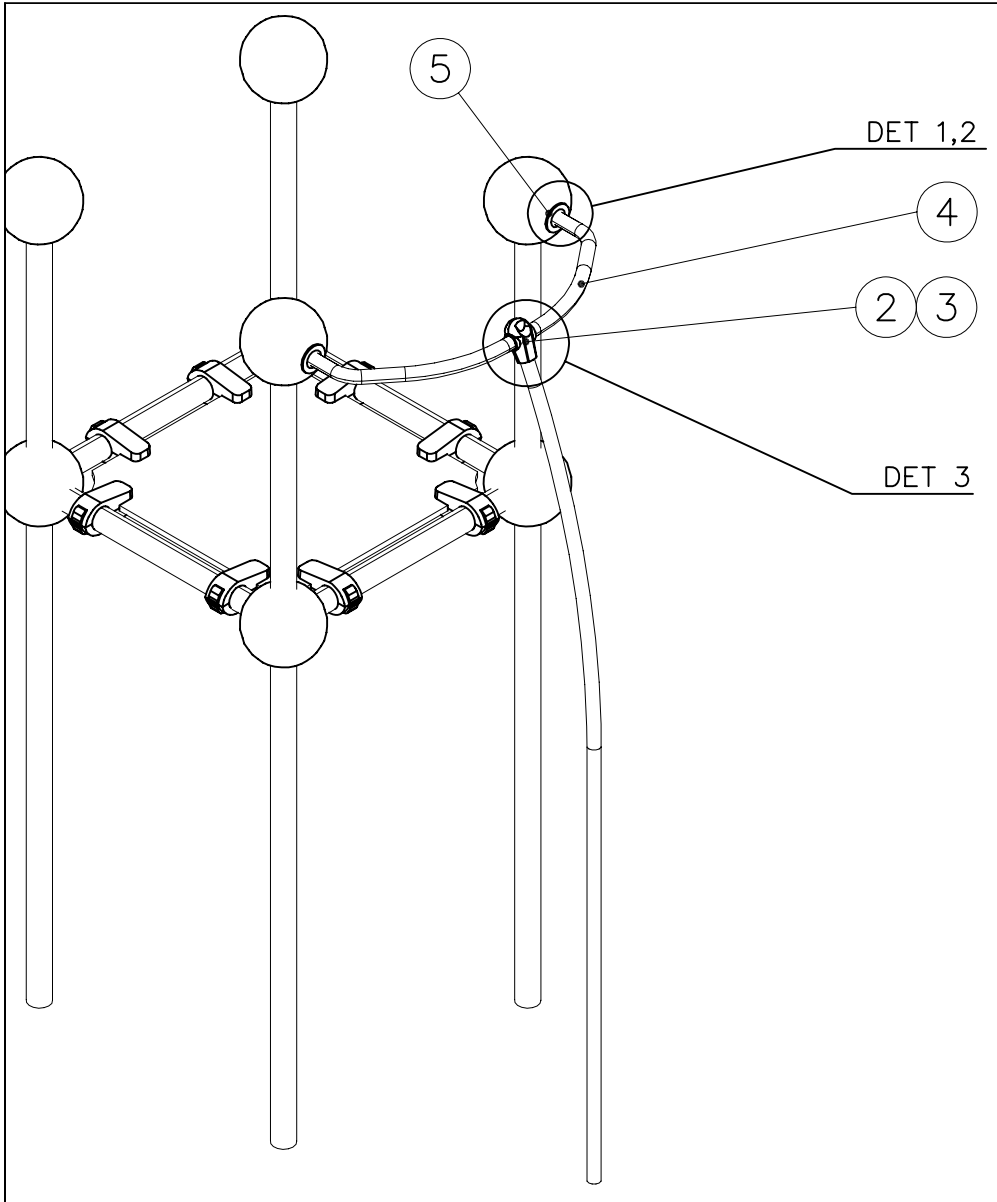
○ 704006	PCS ○ 704005	PCS	○ 902124	PCS	○ 902232	PCS	○ 902233	PCS	○ 980161	PCS	○ 905115	PCS
		1		8		10		4		14		6
	D. GREY		150x50x50		M10x55		M10x30		M10		Ø32	
	PCS ○ 905090	PCS	○ 901302	PCS	○ 904336	PCS	* ○ 904301	PCS	* ○ 904302	PCS		PCS
		6		6		6		2		4		
	Ø45		Ø20/10.5		Ø6x20		XXL RED		XXL YELLOW			

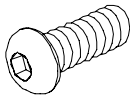
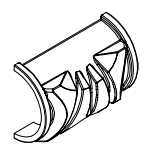

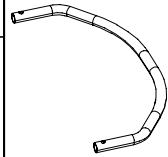
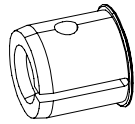
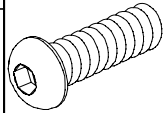
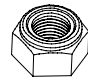


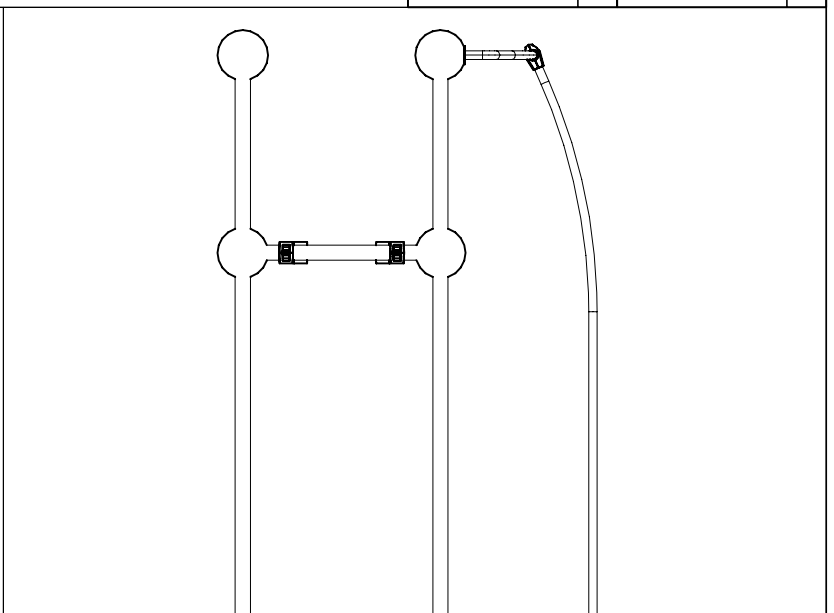
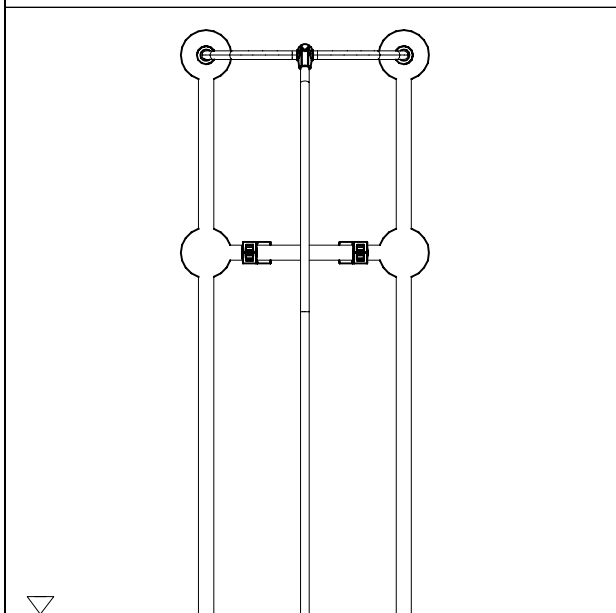
① 904512	PCS	② 902253	PCS
1	1	3	3
③ 909628	PCS		PCS
4	4		
M10x100			
	PCS		PCS
	PCS		PCS
	PCS		PCS







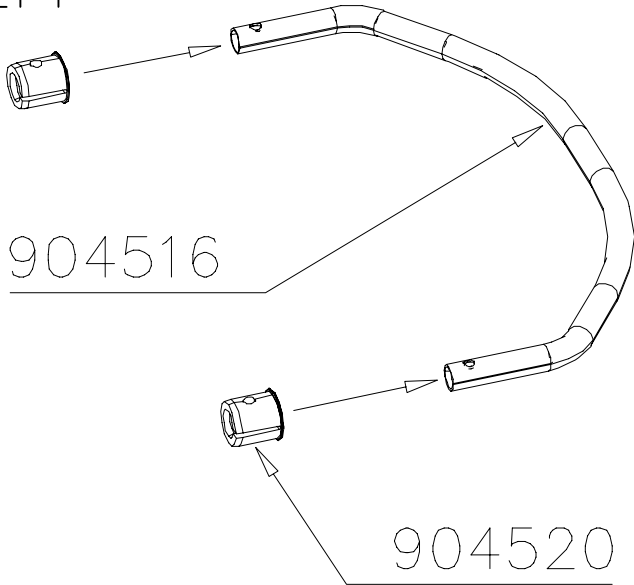
① 900342	PCS	② 901900	PCS
	2		2
M8x16		20.5x36.2x56	
③ 901902	PCS	④ 904516	PCS
	2		1
30.7x60.9x100		Ø33.7x2.6x1157	
⑤ 904520	PCS	⑥ 909850	PCS
	2		1
60-33,7		M8x25	
⑦ 980150	PCS		PCS
	1		
M8			
	PCS		PCS



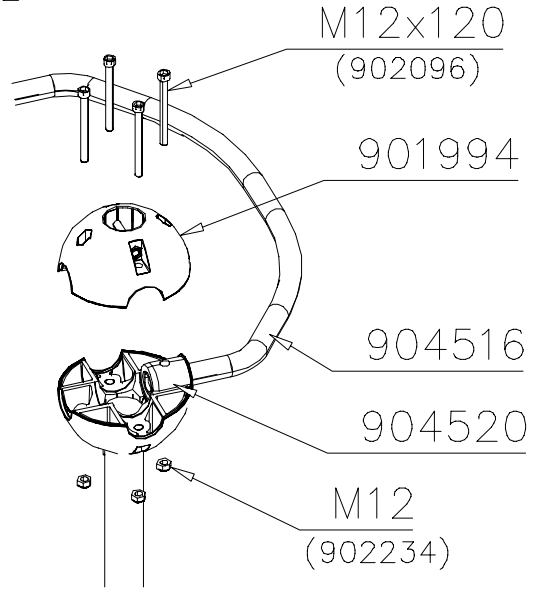
392
784

605

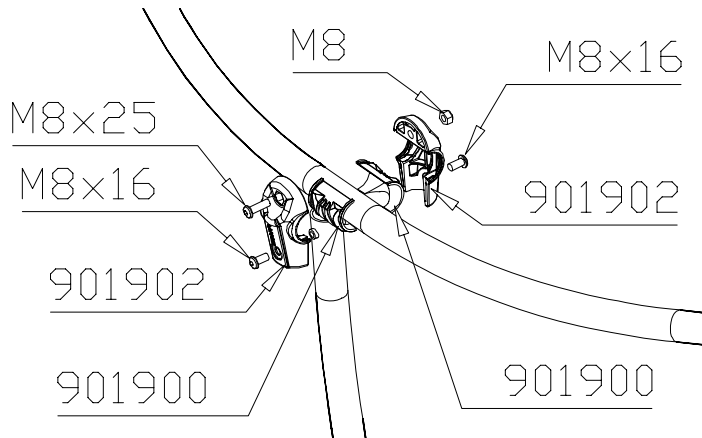
DET 1

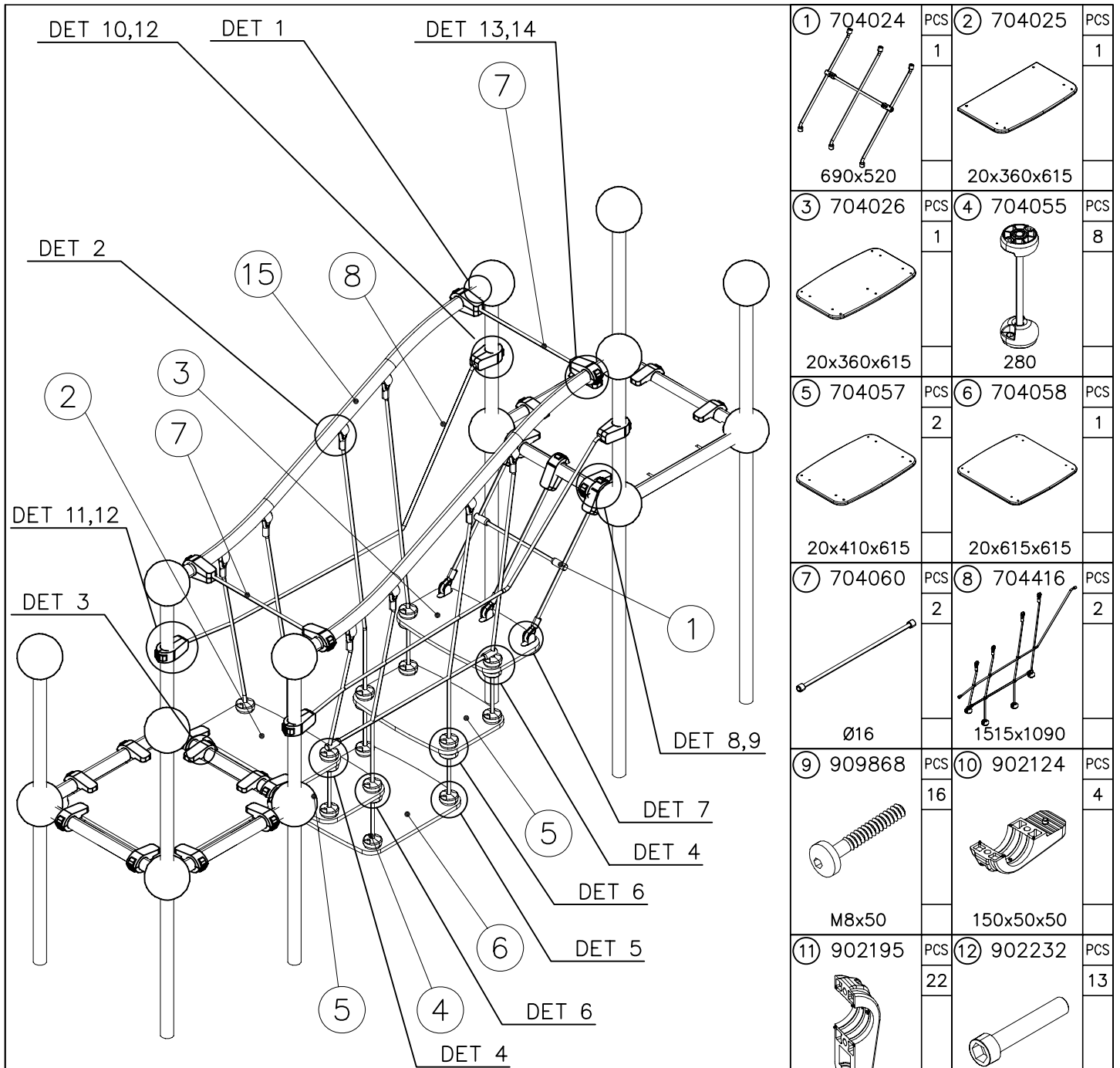


DET 2



DET 3

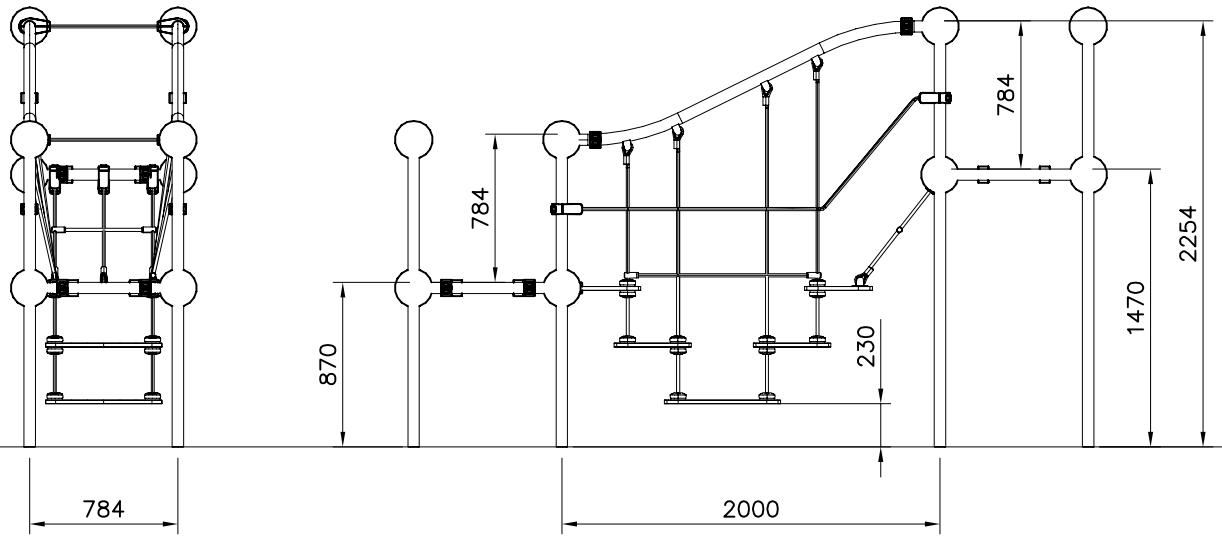




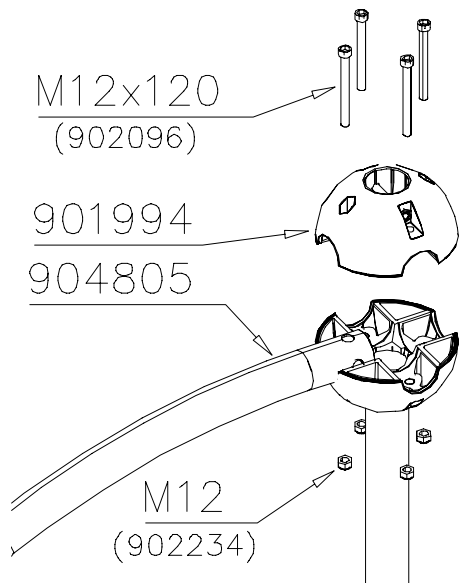
① 704024	PCS	② 704025	PCS
	1		1
690x520		20x360x615	
③ 704026	PCS	④ 704055	PCS
	1		8
20x360x615		280	
⑤ 704057	PCS	⑥ 704058	PCS
	2		1
20x410x615		20x615x615	
⑦ 704060	PCS	⑧ 704416	PCS
	2		2
∅16		1515x1090	
⑨ 909868	PCS	⑩ 902124	PCS
	16		4
M8x50		150x50x50	
⑪ 902195	PCS	⑫ 902232	PCS
	22		13
150x50x50		M10x55	

⑬ 902233	PCS	⑭ 902273	PCS	⑮ 904805	PCS	⑯ 905083	PCS	⑰ 909568	PCS	⑱ 905112	PCS
	13		26		2		22		8		22
M10x30						∅32		M8x55		∅22	
⑲ 901104	PCS	⑳ 980150	PCS	㉑ 980151	PCS	㉒ 980161	PCS	㉓ 909212	PCS		PCS
	16		46		22		26		6		
M8x80		M8		∅16/8.4		M10		M8x40			

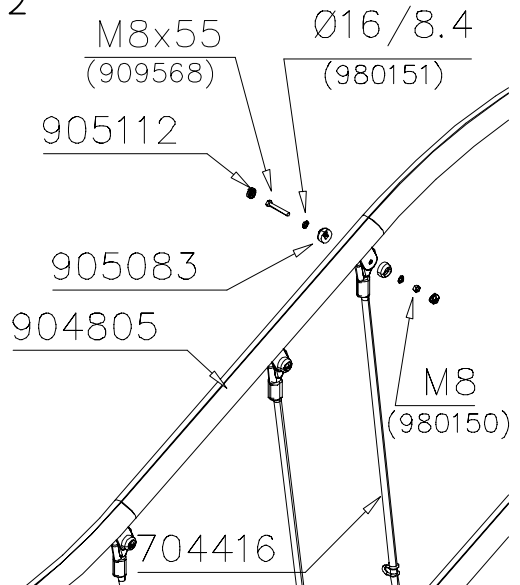
1:40

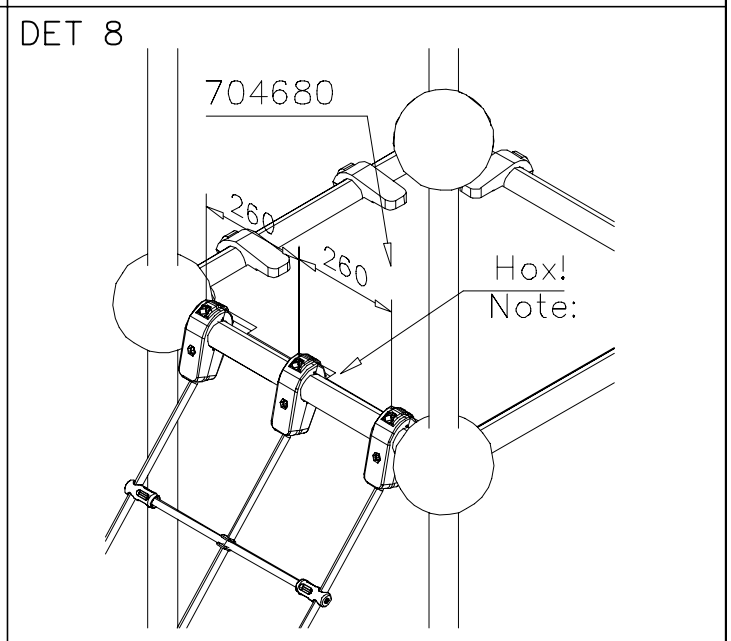
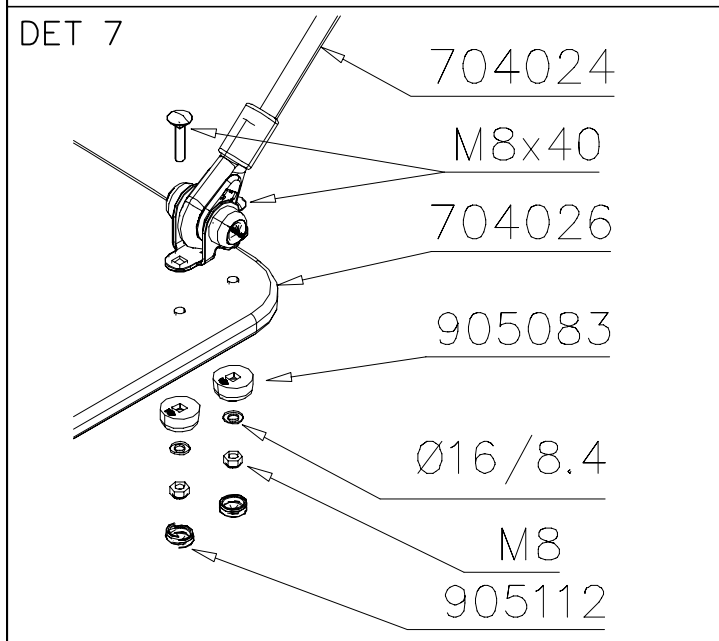
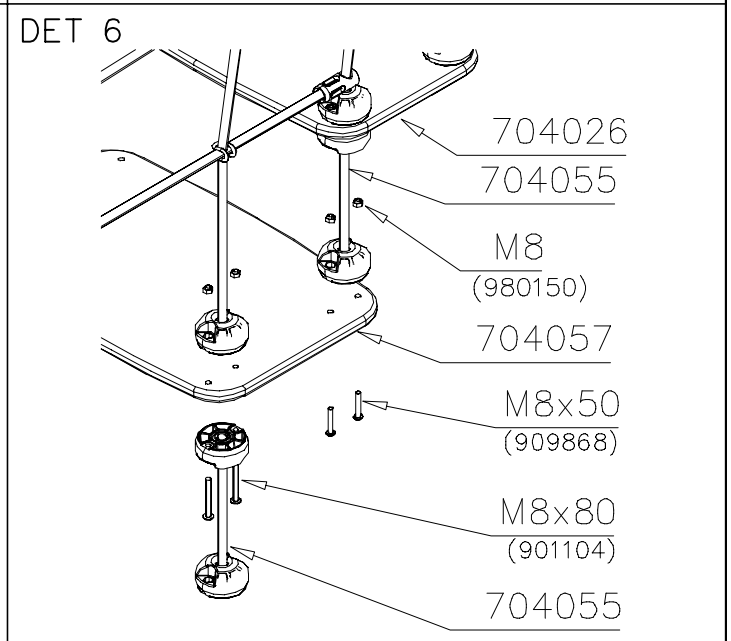
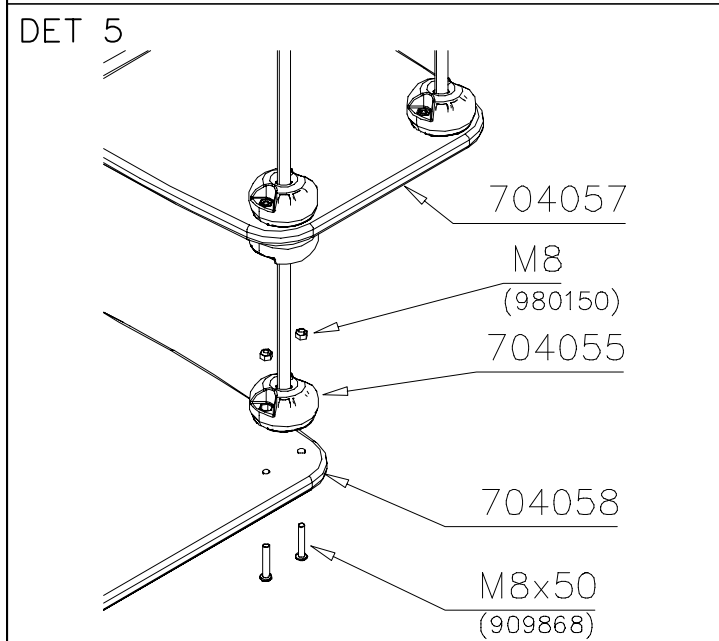
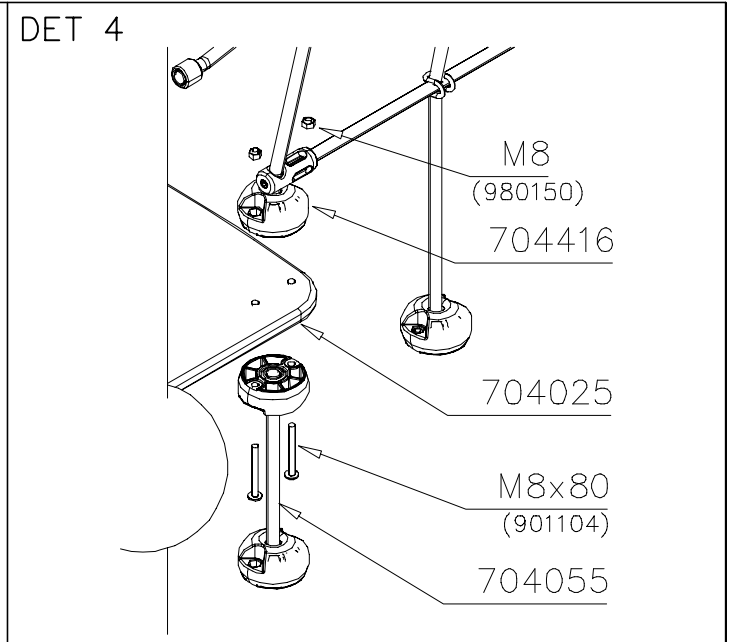
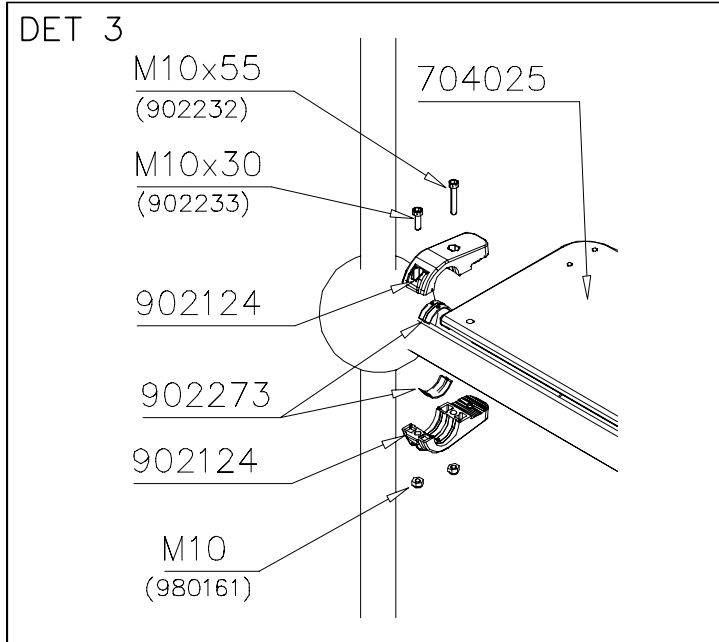


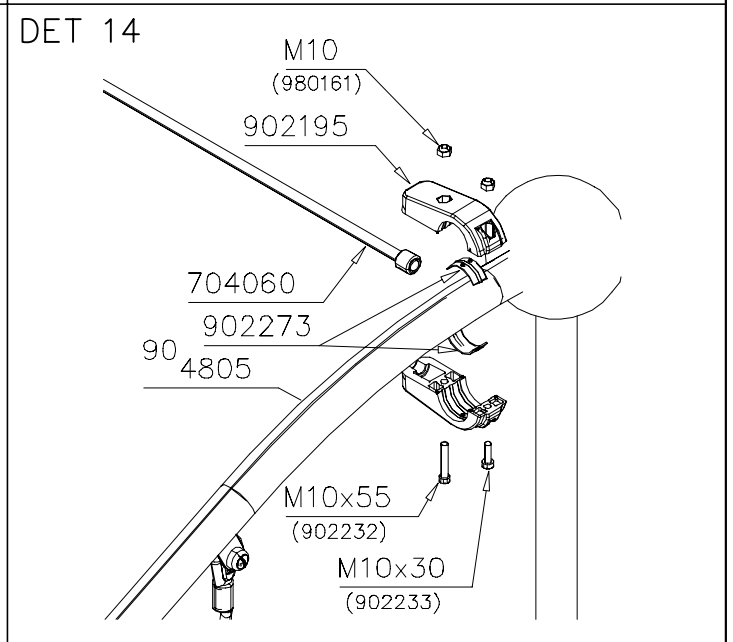
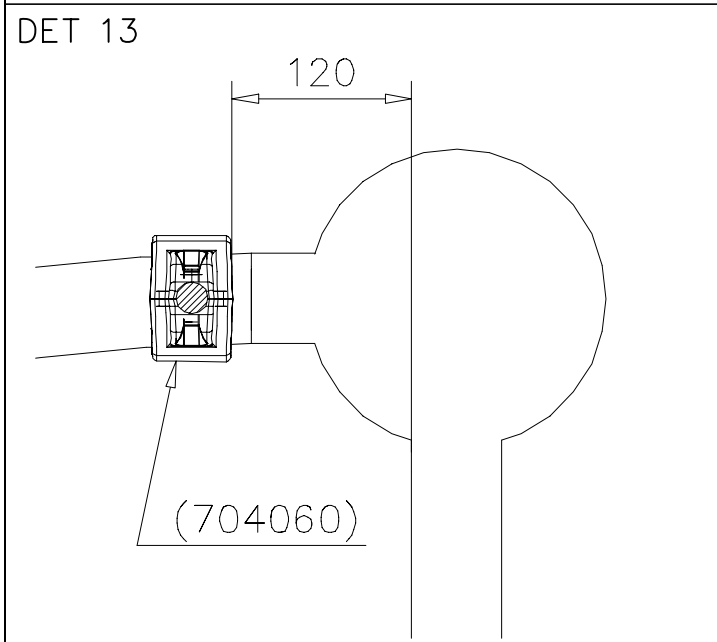
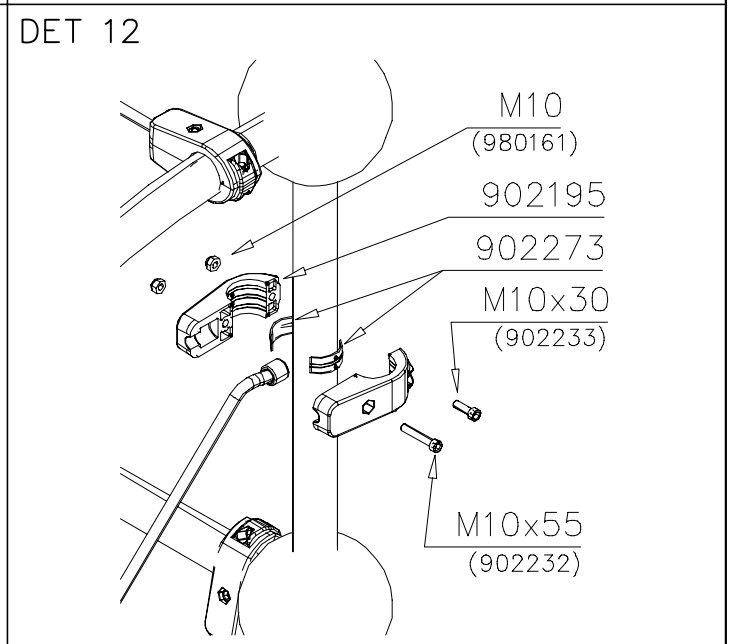
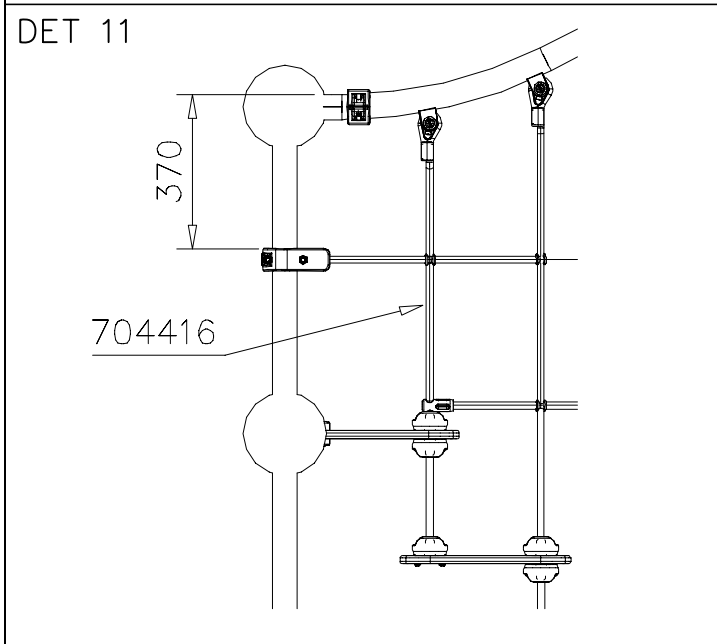
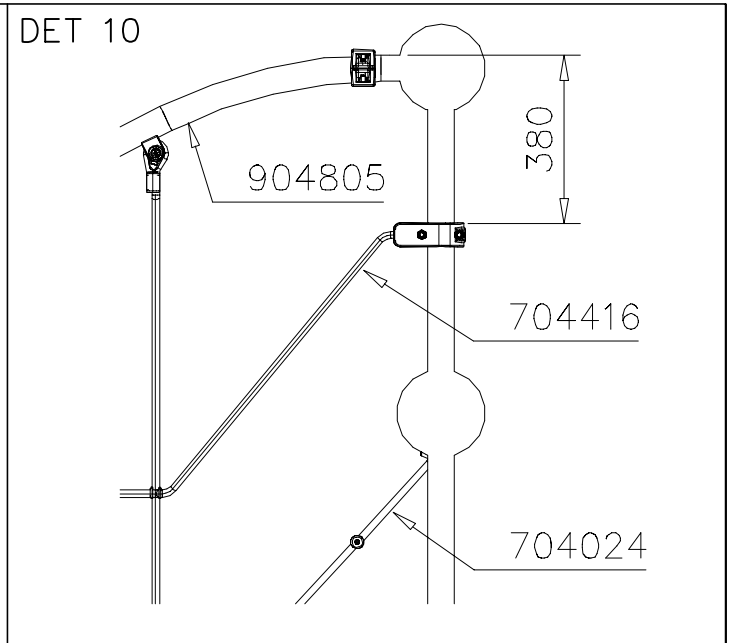
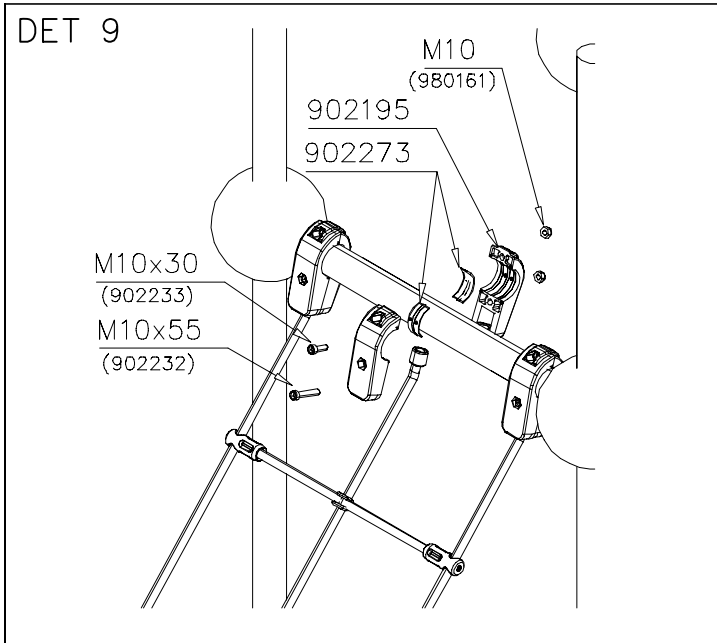
DET 1

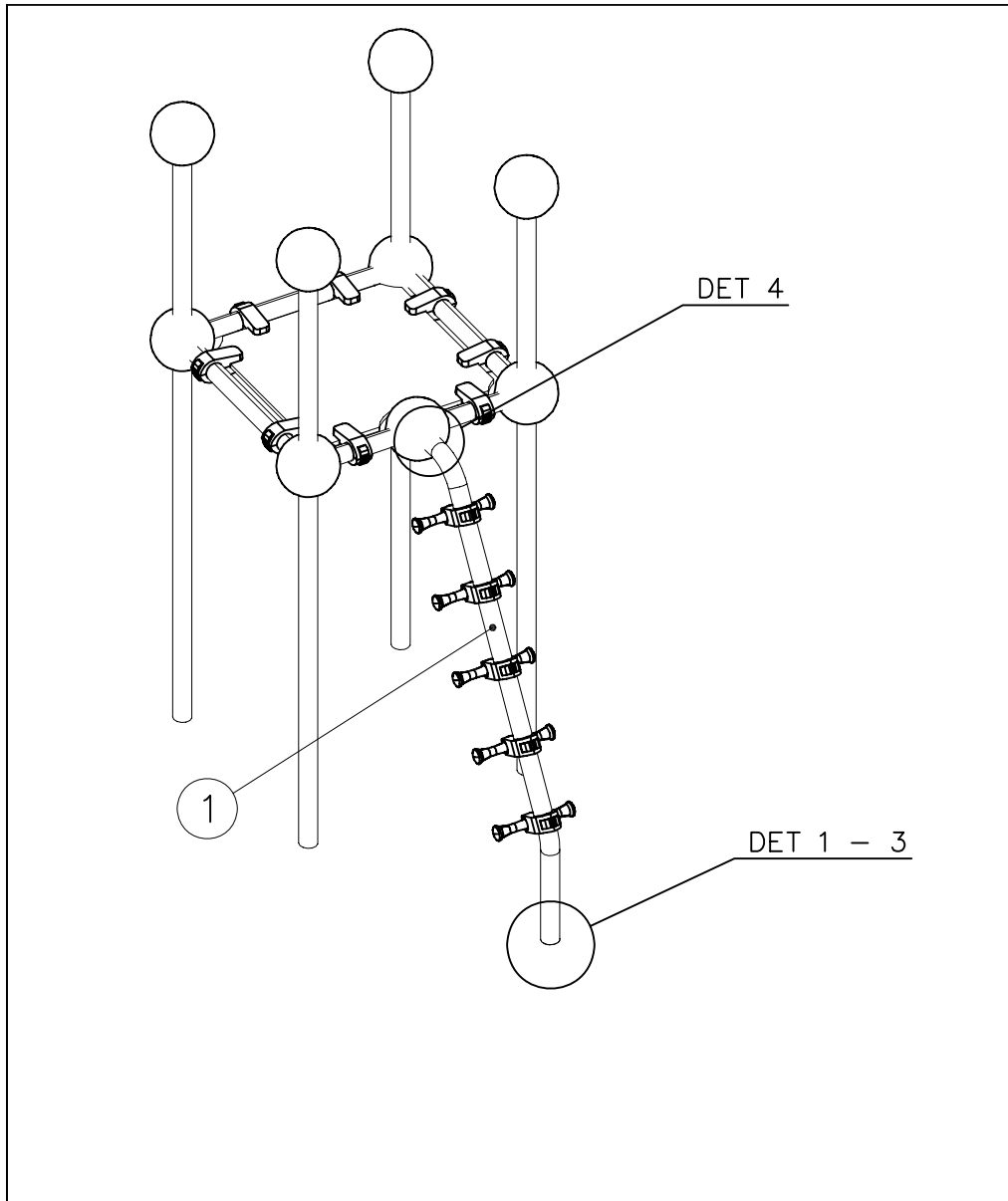


DET 2









① 704808	PCS	② 909628	PCS
	1		4
		M10x100	
	PCS		PCS
	PCS		PCS
	PCS		PCS
	PCS		PCS

