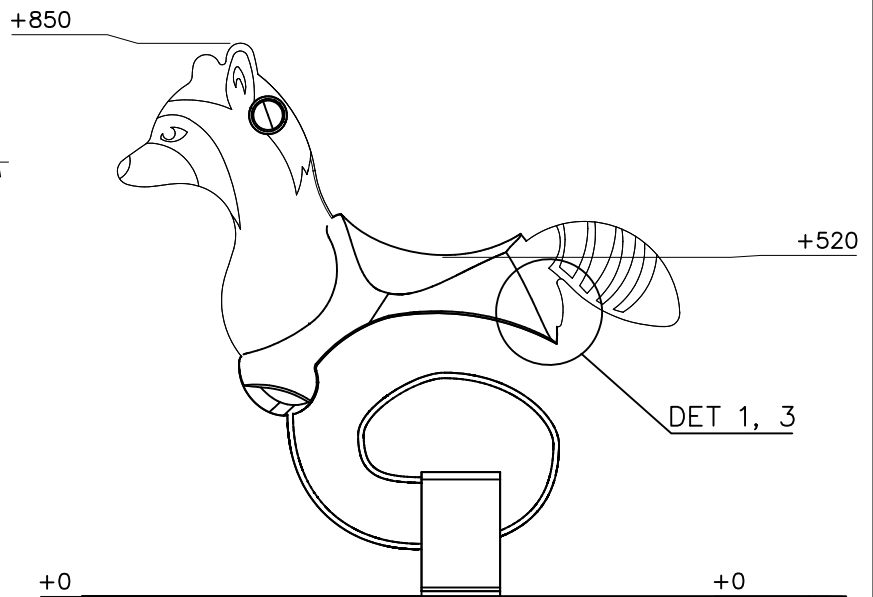
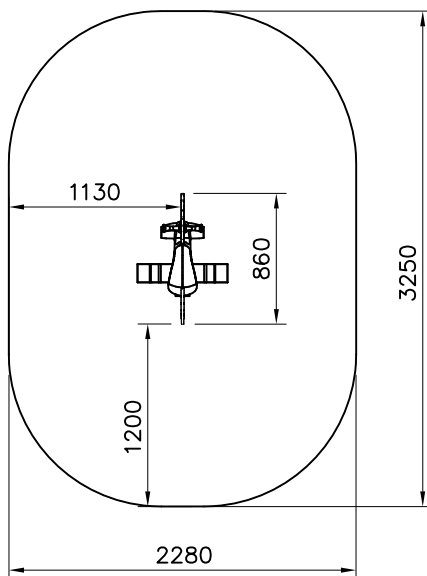
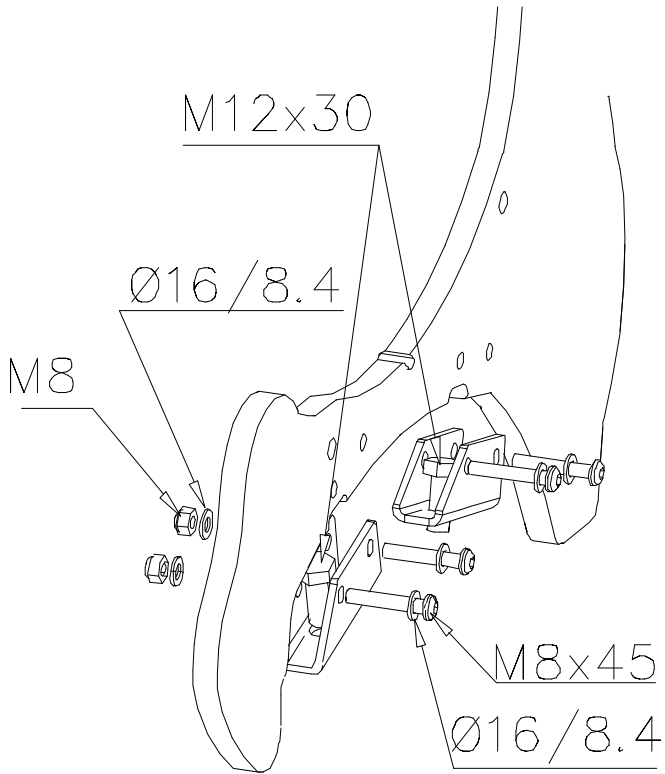


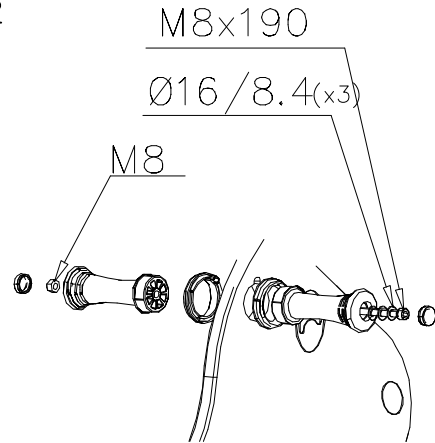
— EN Impact Area 6,6 m²
 - - - Falling Space 6,6 m²
 Max Falling Height 600 mm



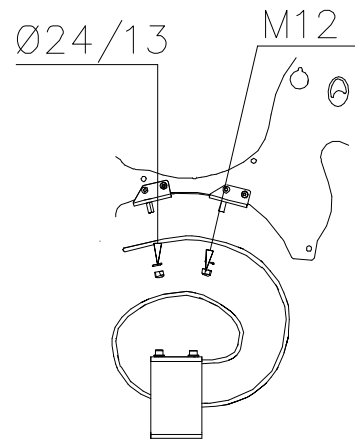
DET 1



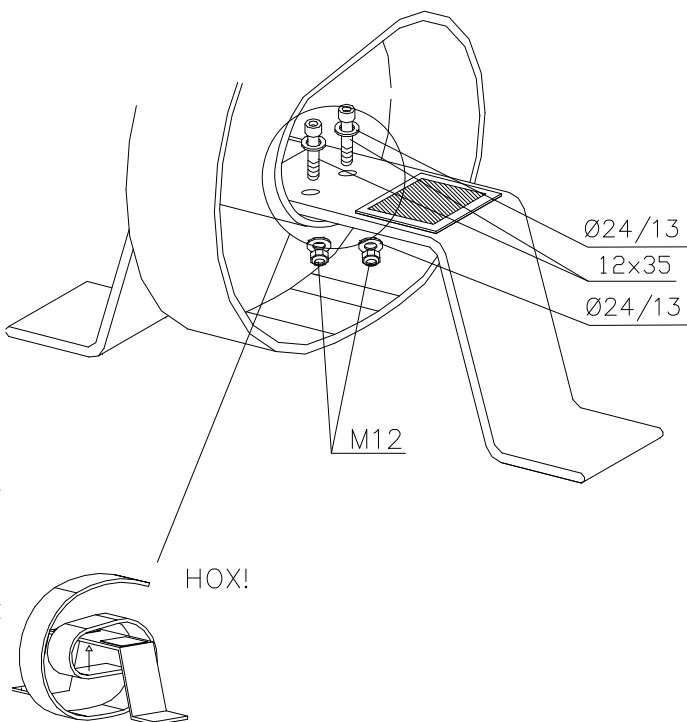
DET 2



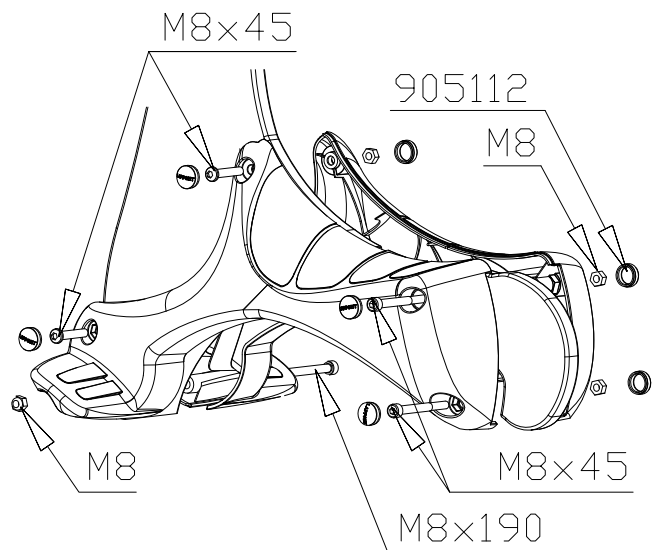
DET 3


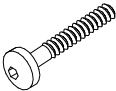

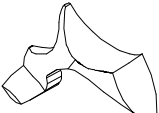

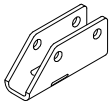

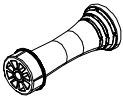

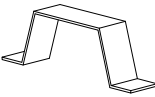


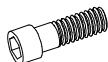

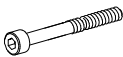





DET 4



DET 5



| | | | | | | | | | |
|--|--|--|---|--|--|--|--|--|--|
| <p>① P05188</p> <p>PCS 1</p>  | | | | | | | | | |
| | | | <p>② 901899</p> <p>PCS 6</p>  <p>M8x45</p> | <p>③ 902095</p> <p>PCS 1</p>  <p>RIGHT</p> | <p>④ 902133</p> <p>PCS 1</p>  <p>LEFT</p> | <p>⑤ 902211</p> <p>PCS 2</p>  | | | |
| <p>⑥ 902303</p> <p>PCS 2</p>  | <p>⑦ 903149</p> <p>PCS 2</p>  <p>M12x30</p> | <p>⑧ 905023</p> <p>PCS 2</p>  | <p>⑨ 905032</p> <p>PCS 1</p>  <p>8,5x90</p> | <p>⑩ 905106</p> <p>PCS 1</p>  <p>590x190x120</p> | <p>⑪ 905112</p> <p>PCS 10</p>  <p>Ø22</p> | | | | |
| <p>⑫ 906511</p> <p>PCS 4</p>  <p>M12</p> | <p>⑬ 909146</p> <p>PCS 2</p>  <p>M12x35</p> | <p>⑭ 909195</p> <p>PCS 2</p>  <p>M8x190</p> | <p>⑮ 909340</p> <p>PCS 2</p>  <p>M8x80</p> | <p>⑯ 980150</p> <p>PCS 10</p>  <p>M8</p> | <p>⑰ 980151</p> <p>PCS 11</p>  <p>Ø16/8.4</p> | | | | |
| <p>⑱ 980154</p> <p>PCS 6</p>  <p>Ø24/13</p> | | | | | | | | | |

| | | | | | | | | | | | | |
|---|--|---|-----------------|-----------------|----------------|---------|----------------|---------|----------------|-------|----------------|---|
|  | | | | | | | | | | | | |
| <p>$h < 600$</p> <p>Without movement and therefore without Impact Area</p> | <p>Totally hard surfaces.</p> <p>Note. Lappset does <u>not recommend</u> totally hard surfaces at all.</p> | <p>E.g. concrete or asphalt</p>  | | | | | | | | | | |
| <p>$h < 600$</p> <p>With movement e.g. rocking</p> | <p>Materials with very limited impact attenuating properties.</p> | <p>E.g. wood</p>  | | | | | | | | | | |
| <p>$h < 1000$</p> | <p>Materials with significant impact attenuating properties.</p> | <p>fine gravel 0–8 mm</p>  <p>grass</p>  <p>unsorted sand</p>  | | | | | | | | | | |
| <p>$h < 3000$</p> | <p>Loose fill material</p> <p>E.g. sand/gravel 0,25...8 mm D60/D10<3,0 Woodchips 5...30 mm bark 20...80 mm</p> |  <table data-bbox="1021 1691 1332 1792"> <tr> <td>\underline{S}</td> <td>\underline{h}</td> </tr> <tr> <td>30 cm</td> <td>< 2,0 m</td> </tr> <tr> <td>40 cm</td> <td>< 3,0 m</td> </tr> </table> | \underline{S} | \underline{h} | 30 cm | < 2,0 m | 40 cm | < 3,0 m | | | | |
| \underline{S} | \underline{h} | | | | | | | | | | | |
| 30 cm | < 2,0 m | | | | | | | | | | | |
| 40 cm | < 3,0 m | | | | | | | | | | | |
| | <p>Syntethic granulates</p> <table data-bbox="406 1892 758 2060"> <tr> <td>\underline{S}</td> <td>\underline{h}</td> </tr> <tr> <td>40 mm</td> <td>~> 1,2...1,3 m</td> </tr> <tr> <td>50 mm</td> <td>~> 1,5...1,7 m</td> </tr> <tr> <td>60 mm</td> <td>~> 1,8...2,0 m</td> </tr> <tr> <td>70 mm</td> <td>~> 2,1...2,5 m</td> </tr> </table> <p>Note. For accurate values, see manufacturer's instructions.</p> | \underline{S} | \underline{h} | 40 mm | ~> 1,2...1,3 m | 50 mm | ~> 1,5...1,7 m | 60 mm | ~> 1,8...2,0 m | 70 mm | ~> 2,1...2,5 m |  |
| \underline{S} | \underline{h} | | | | | | | | | | | |
| 40 mm | ~> 1,2...1,3 m | | | | | | | | | | | |
| 50 mm | ~> 1,5...1,7 m | | | | | | | | | | | |
| 60 mm | ~> 1,8...2,0 m | | | | | | | | | | | |
| 70 mm | ~> 2,1...2,5 m | | | | | | | | | | | |

REMOVE SAFETY SURFACE/SAND/GRAVEL
TO CHECK FOUNDATION



REMOVE SAFETY SURFACE/SAND/GRAVEL
TO CHECK FOUNDATION

