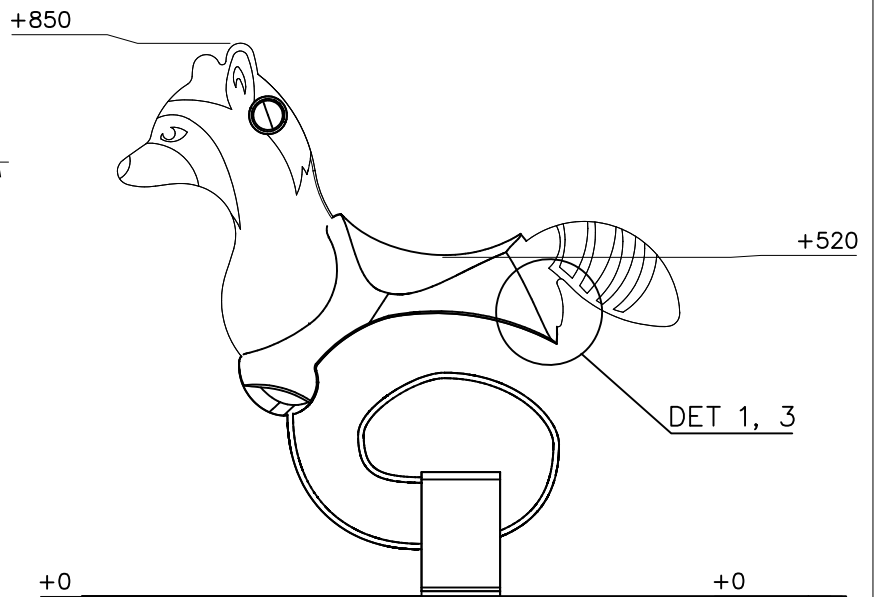
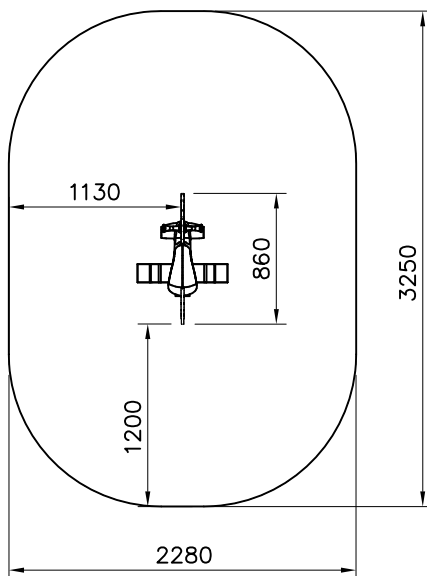
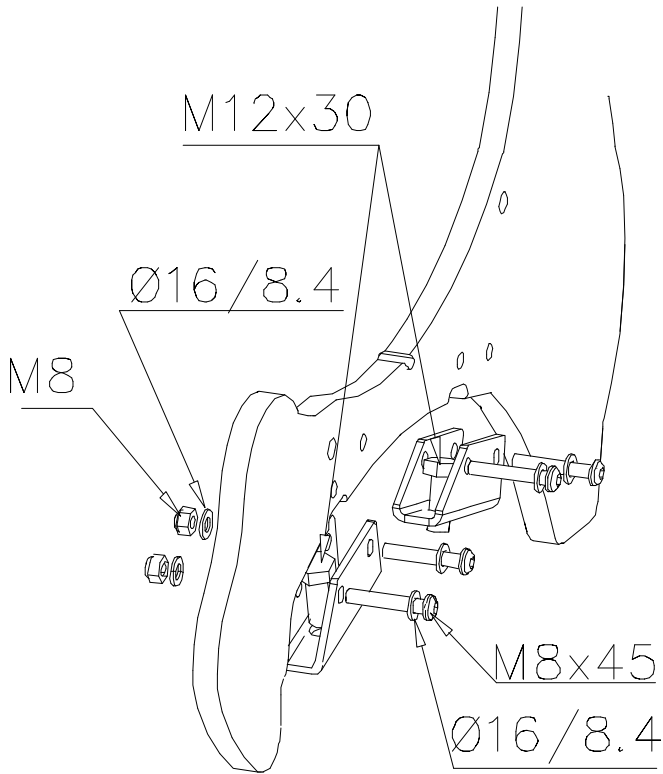


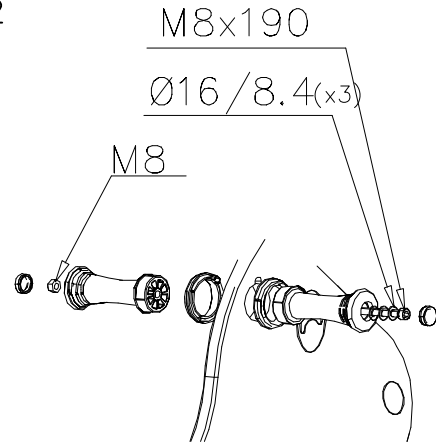
— EN Impact Area 6,6 m²
 - - - Falling Space 6,6 m²
 Max Falling Height 600 mm



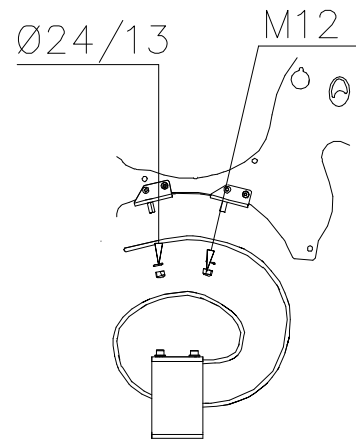
DET 1



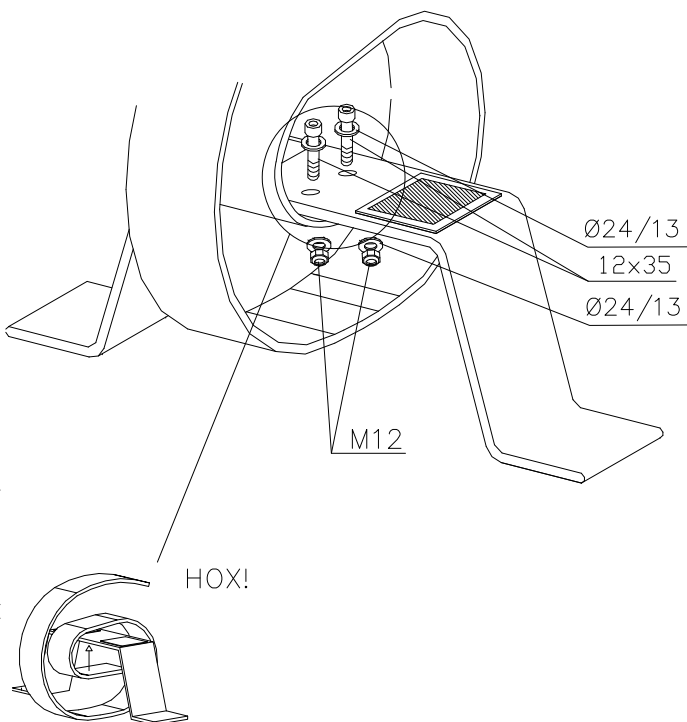
DET 2



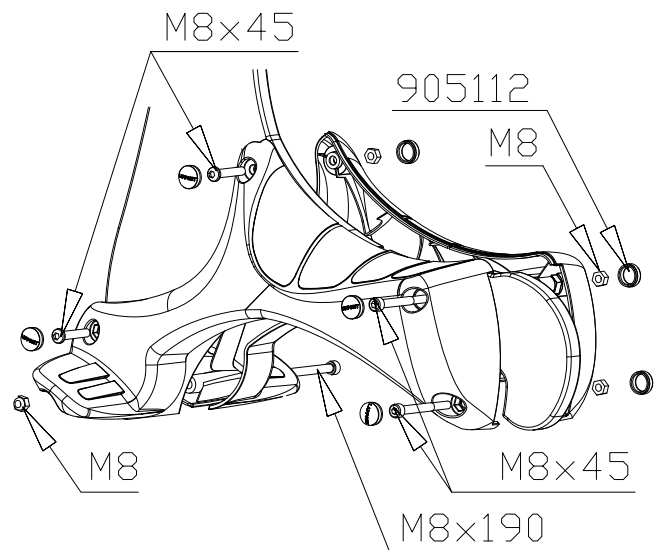
DET 3


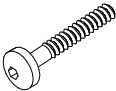

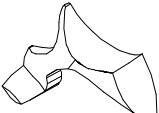

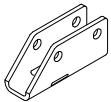

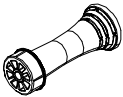

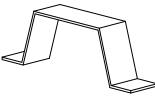


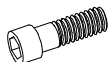

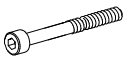





DET 4



DET 5



<p>① P05188</p> <p>PCS 1</p> 									
			<p>② 901899</p> <p>PCS 6</p>  <p>M8x45</p>	<p>③ 902095</p> <p>PCS 1</p>  <p>RIGHT</p>	<p>④ 902133</p> <p>PCS 1</p>  <p>LEFT</p>	<p>⑤ 902211</p> <p>PCS 2</p> 			
<p>⑥ 902303</p> <p>PCS 2</p> 	<p>⑦ 903149</p> <p>PCS 2</p>  <p>M12x30</p>	<p>⑧ 905023</p> <p>PCS 2</p> 	<p>⑨ 905032</p> <p>PCS 1</p>  <p>8,5x90</p>	<p>⑩ 905106</p> <p>PCS 1</p>  <p>590x190x120</p>	<p>⑪ 905112</p> <p>PCS 10</p>  <p>Ø22</p>				
<p>⑫ 906511</p> <p>PCS 4</p>  <p>M12</p>	<p>⑬ 909146</p> <p>PCS 2</p>  <p>M12x35</p>	<p>⑭ 909195</p> <p>PCS 2</p>  <p>M8x190</p>	<p>⑮ 909340</p> <p>PCS 2</p>  <p>M8x80</p>	<p>⑯ 980150</p> <p>PCS 10</p>  <p>M8</p>	<p>⑰ 980151</p> <p>PCS 11</p>  <p>Ø16/8.4</p>				
<p>⑱ 980154</p> <p>PCS 6</p>  <p>Ø24/13</p>									

												
<p>$h < 600$</p> <p>Without movement and therefore without Impact Area</p>	<p>Totally hard surfaces.</p> <p>Note. Lappset does <u>not recommend</u> totally hard surfaces at all.</p>	<p>E.g. concrete or asphalt</p> 										
<p>$h < 600$</p> <p>With movement e.g. rocking</p>	<p>Materials with very limited impact attenuating properties.</p>	<p>E.g. wood</p> 										
<p>$h < 1000$</p>	<p>Materials with significant impact attenuating properties.</p>	<p>fine gravel 0–8 mm</p>  <p>grass</p>  <p>unsorted sand</p> 										
<p>$h < 3000$</p>	<p>Loose fill material</p> <p>E.g. sand/gravel 0,25...8 mm D60/D10<3,0 Woodchips 5...30 mm bark 20...80 mm</p>	 <table data-bbox="1024 1691 1332 1792"> <tr> <td>\underline{S}</td> <td>\underline{h}</td> </tr> <tr> <td>30 cm</td> <td>< 2,0 m</td> </tr> <tr> <td>40 cm</td> <td>< 3,0 m</td> </tr> </table>	\underline{S}	\underline{h}	30 cm	< 2,0 m	40 cm	< 3,0 m				
\underline{S}	\underline{h}											
30 cm	< 2,0 m											
40 cm	< 3,0 m											
	<p>Syntethic granulates</p> <table data-bbox="406 1892 758 2060"> <tr> <td>\underline{S}</td> <td>\underline{h}</td> </tr> <tr> <td>40 mm</td> <td>~> 1,2...1,3 m</td> </tr> <tr> <td>50 mm</td> <td>~> 1,5...1,7 m</td> </tr> <tr> <td>60 mm</td> <td>~> 1,8...2,0 m</td> </tr> <tr> <td>70 mm</td> <td>~> 2,1...2,5 m</td> </tr> </table> <p>Note. For accurate values, see manufacturer's instructions.</p>	\underline{S}	\underline{h}	40 mm	~> 1,2...1,3 m	50 mm	~> 1,5...1,7 m	60 mm	~> 1,8...2,0 m	70 mm	~> 2,1...2,5 m	
\underline{S}	\underline{h}											
40 mm	~> 1,2...1,3 m											
50 mm	~> 1,5...1,7 m											
60 mm	~> 1,8...2,0 m											
70 mm	~> 2,1...2,5 m											

REMOVE SAFETY SURFACE/SAND/GRAVEL
TO CHECK FOUNDATION



REMOVE SAFETY SURFACE/SAND/GRAVEL
TO CHECK FOUNDATION

