

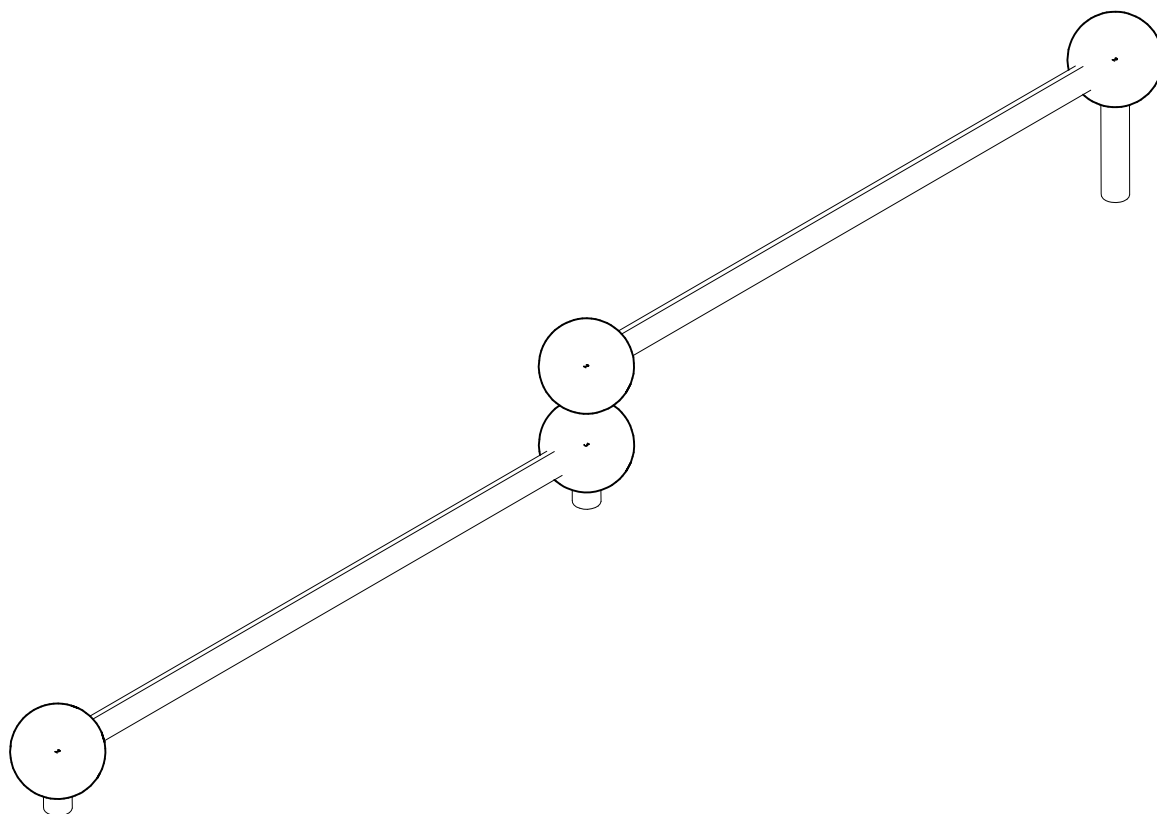
# **LAPPSET®**

## **CLOXX**

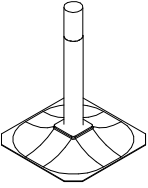
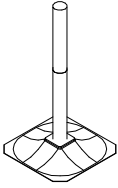
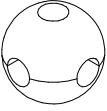
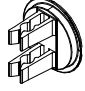


ASENNUSOHJE  
MONTERINGSANSVISNING  
INSTALLATION INSTRUCTION  
AUFBAUANLEITUNG  
NOTICE D'INSTALLATION

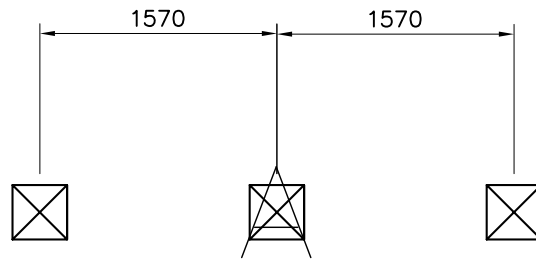
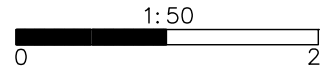
DATE: 5.7.2013

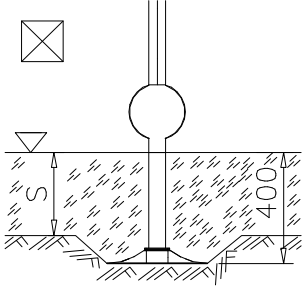
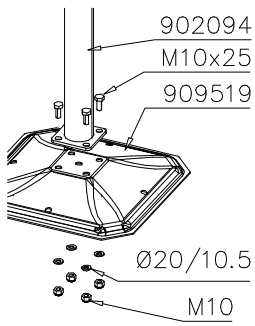
### **Q03603**



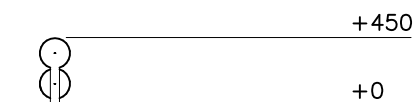
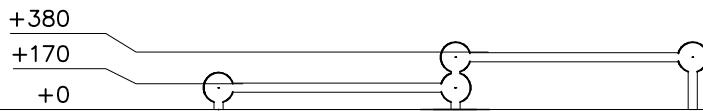
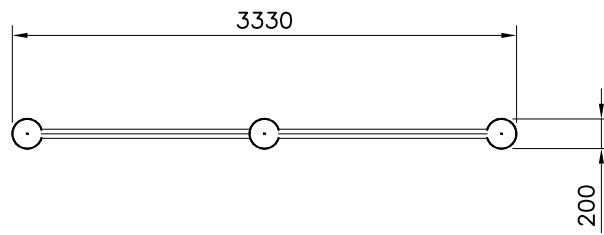
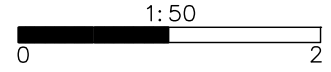
DATE: 5.7.2013

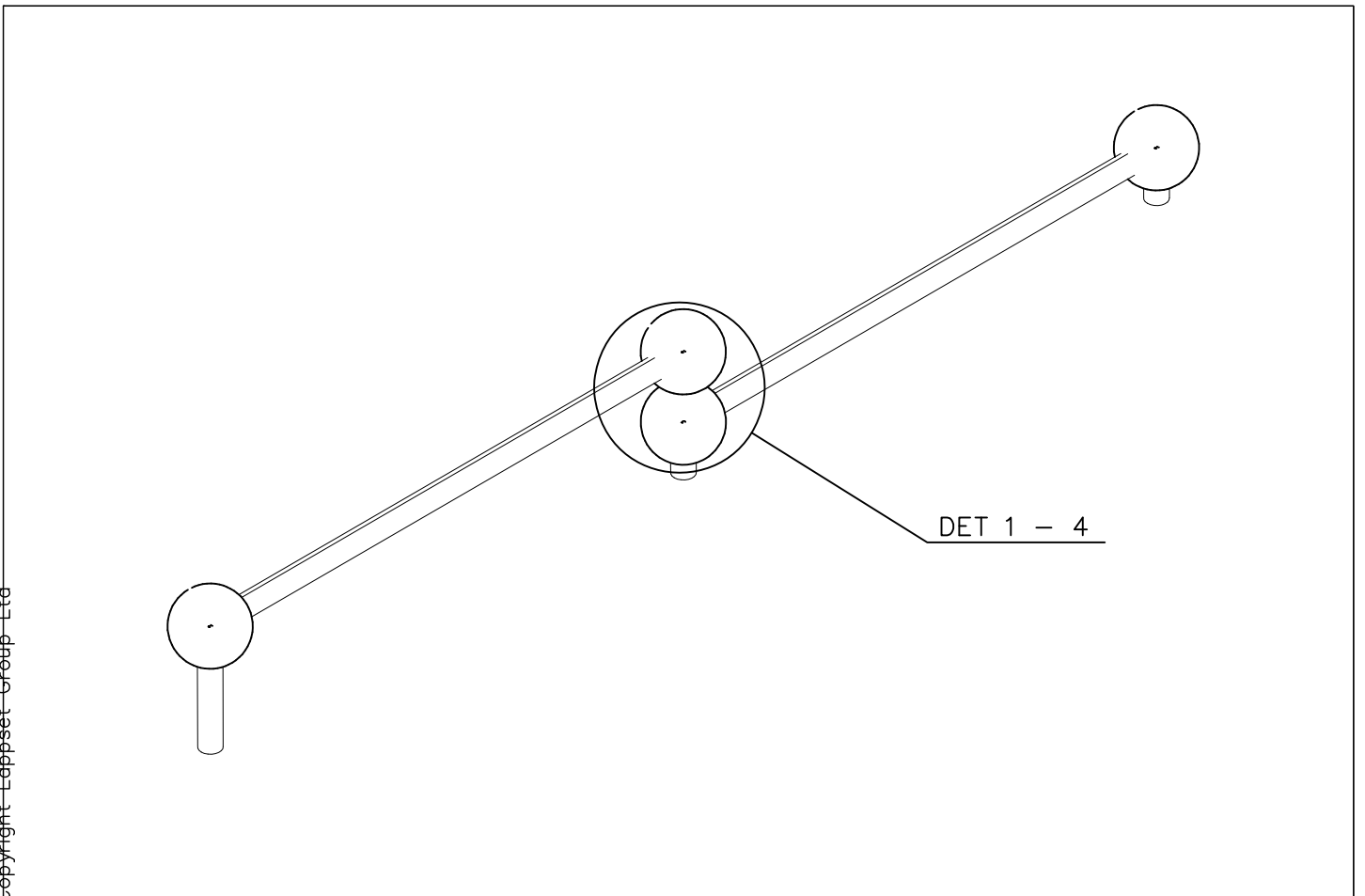
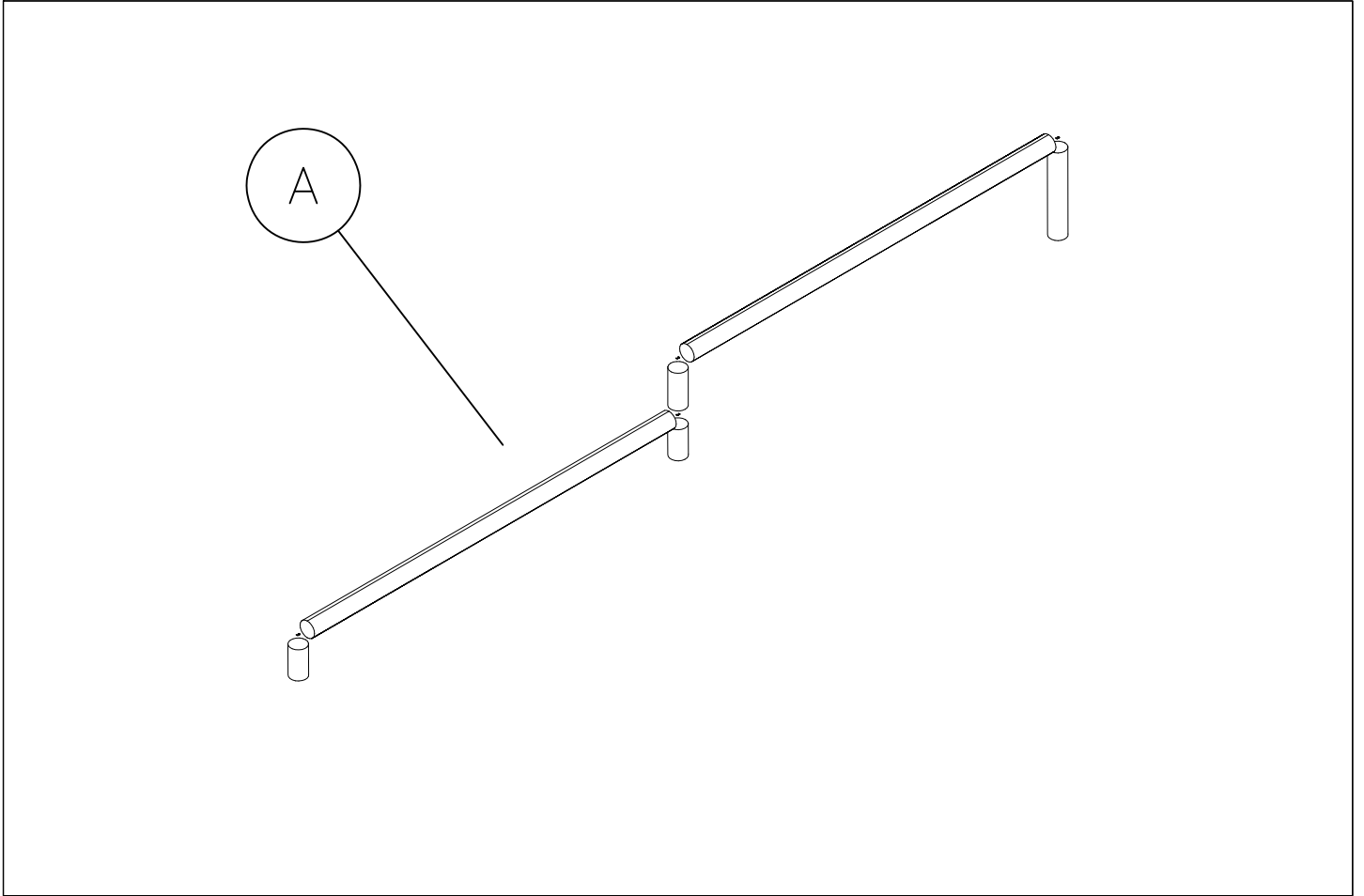
701985	PCS	703460	PCS	902134	PCS	902157	PCS	904184	PCS	P04568	PCS
	2		1		4		15		2		1
						60x60x2		L 1493		L 134.5	
	PCS		PCS		PCS		PCS		PCS		PCS
	PCS		PCS		PCS		PCS		PCS		PCS
	PCS		PCS		PCS		PCS		PCS		PCS
	PCS		PCS		PCS		PCS		PCS		PCS
	PCS		PCS		PCS		PCS		PCS		PCS

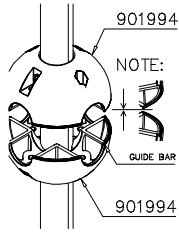
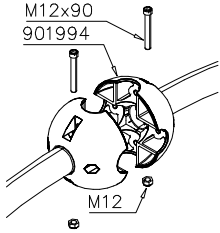
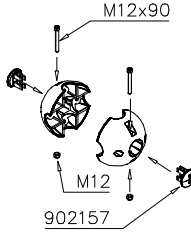
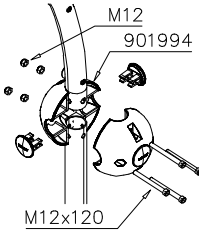


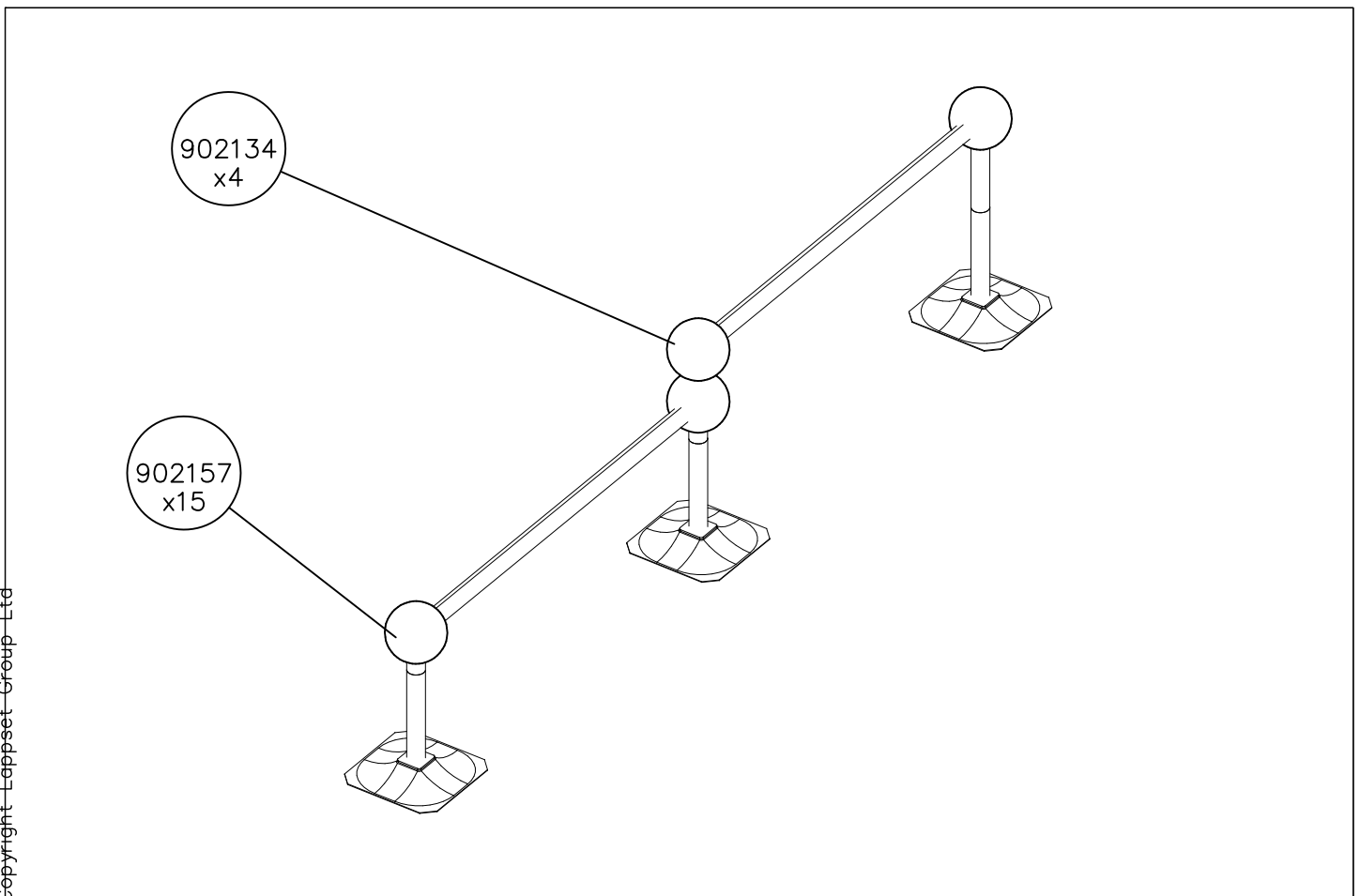
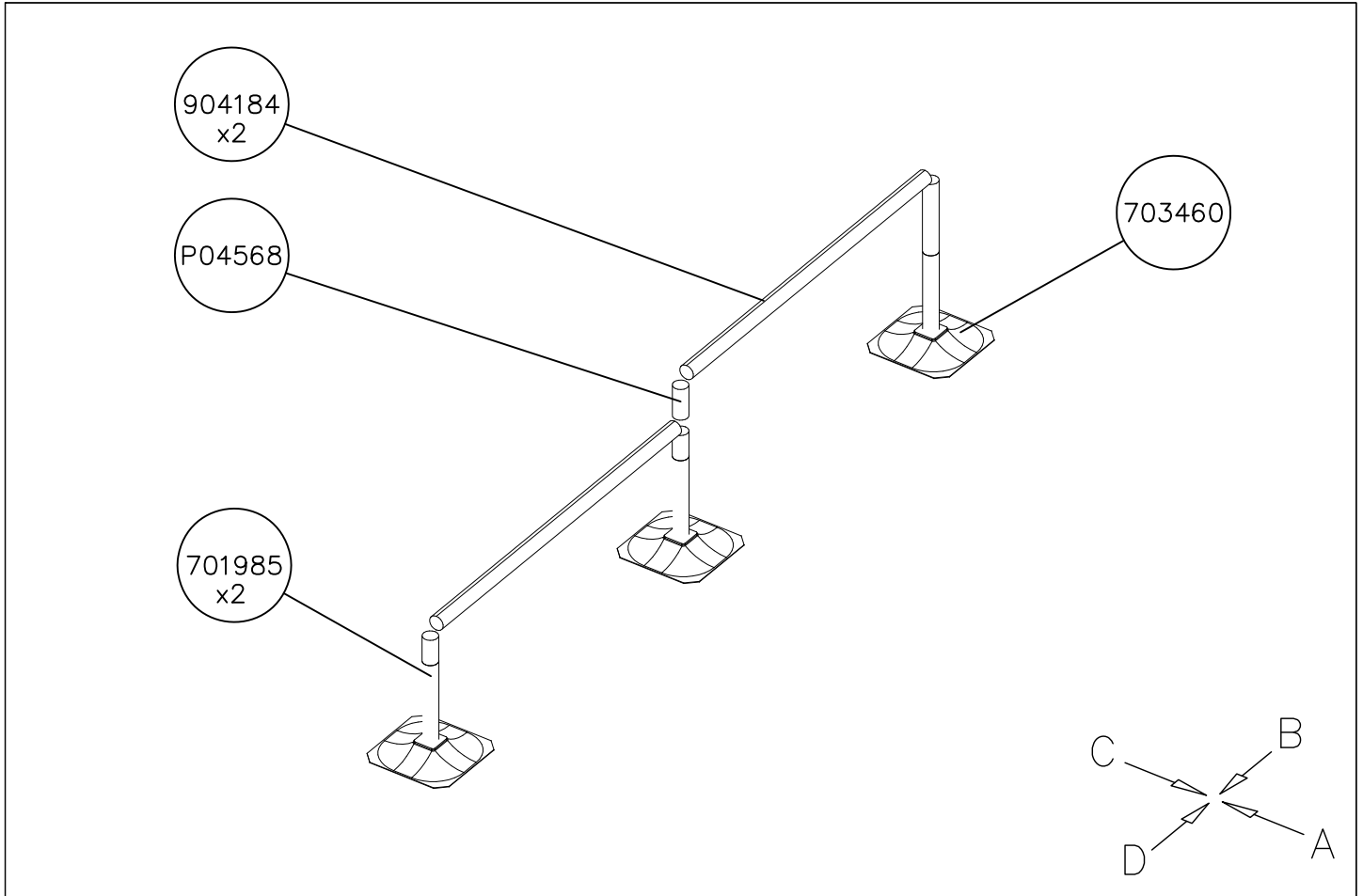
		

Max Falling Height 450 mm



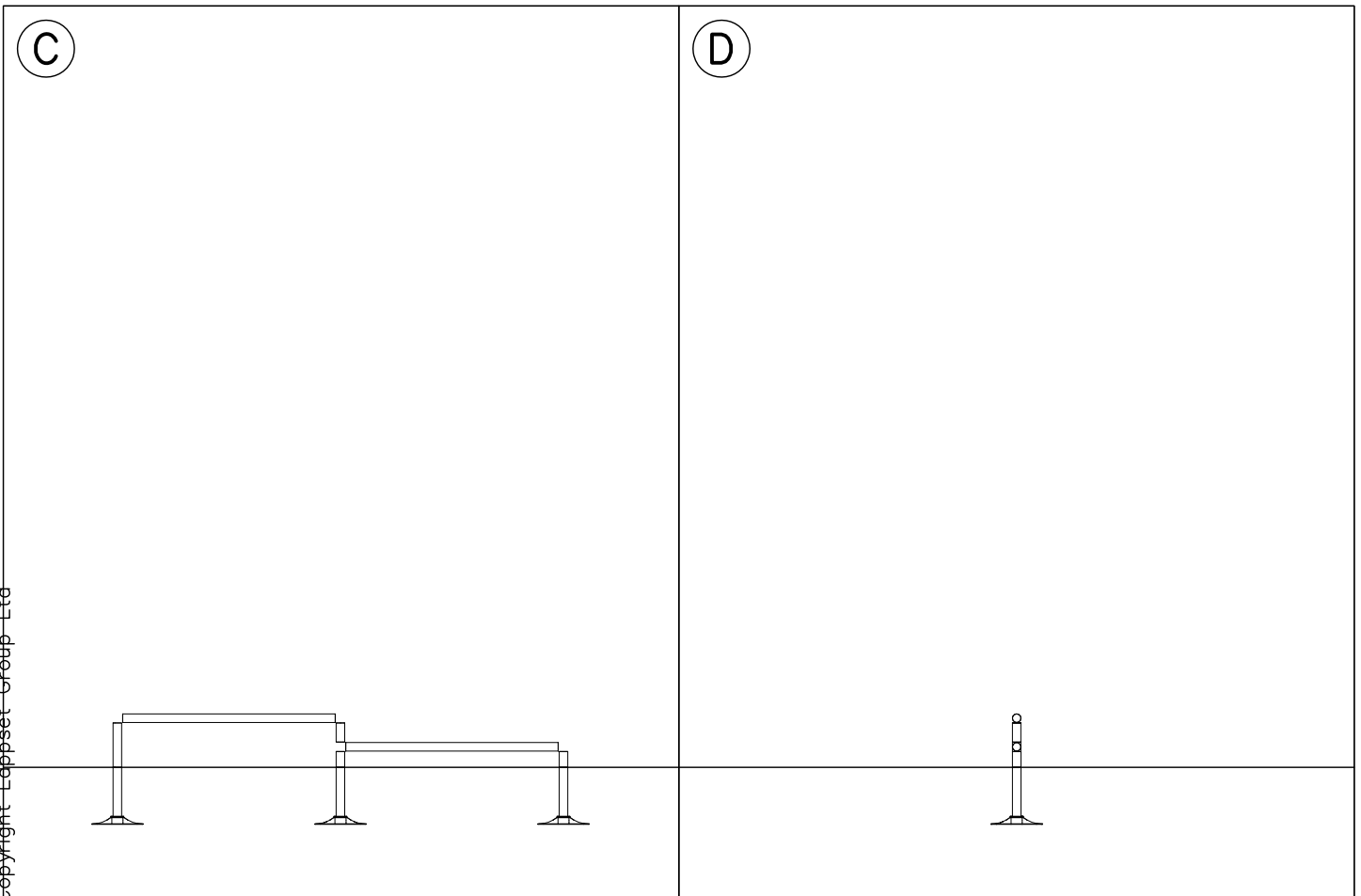
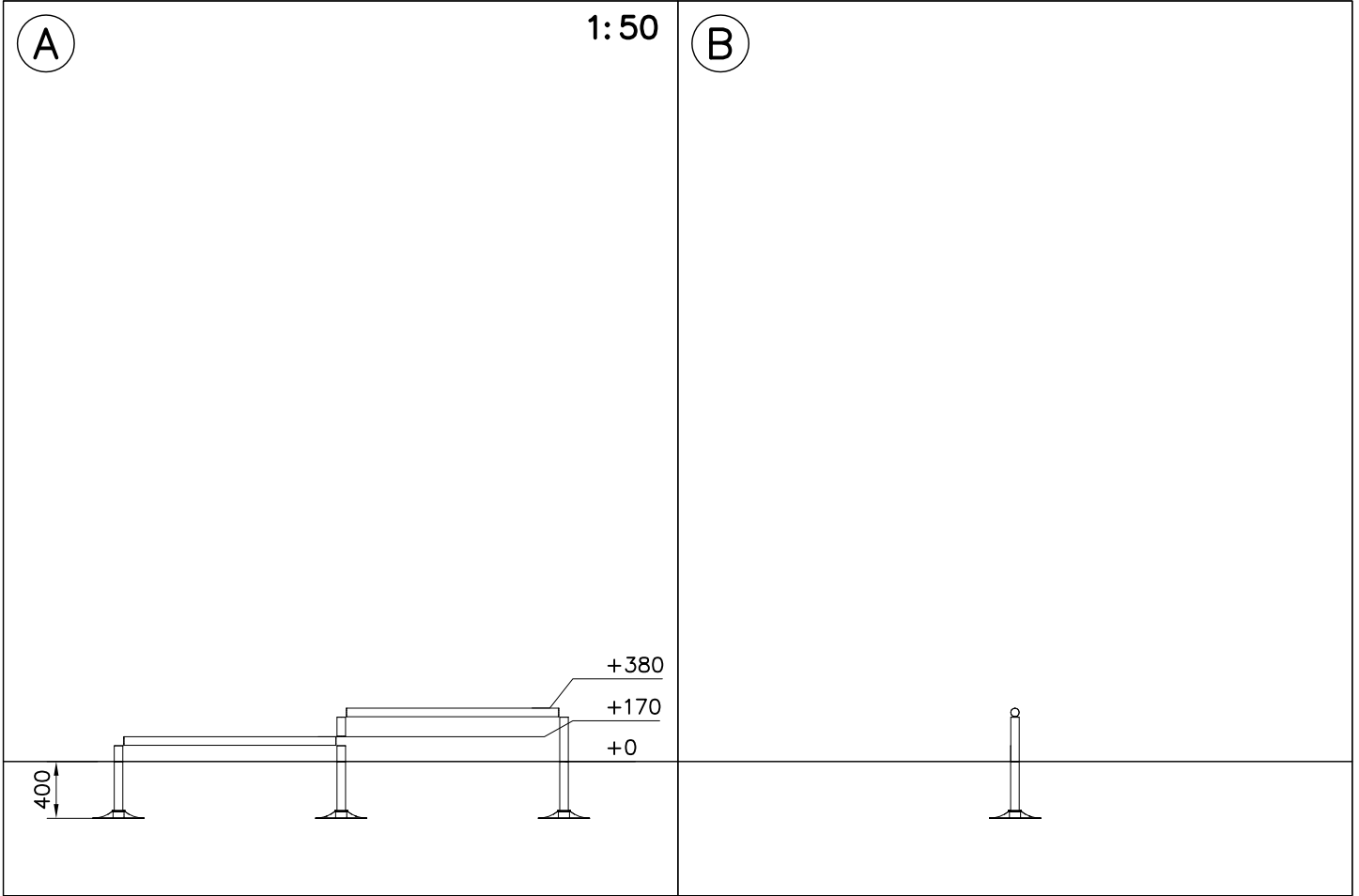


<p>DET 1</p> 	<p>DET 2</p> 	<p>DET 3</p> 	<p>DET 4</p> 

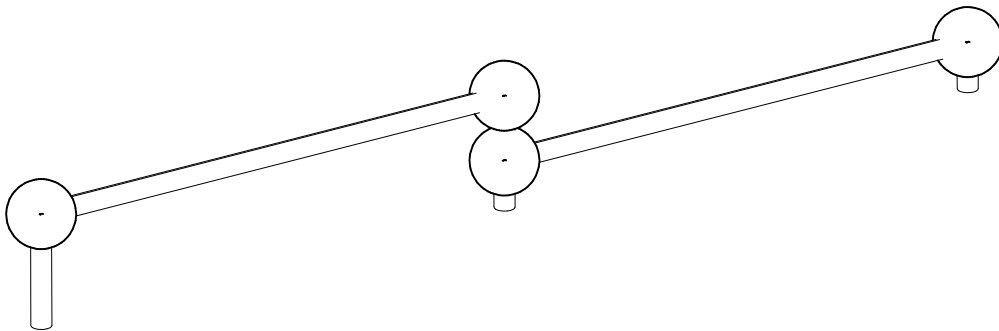
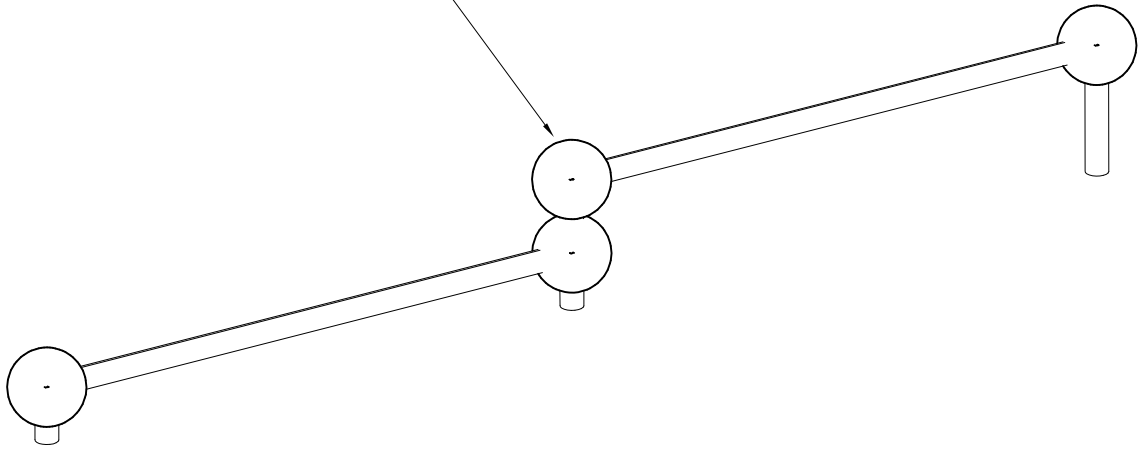


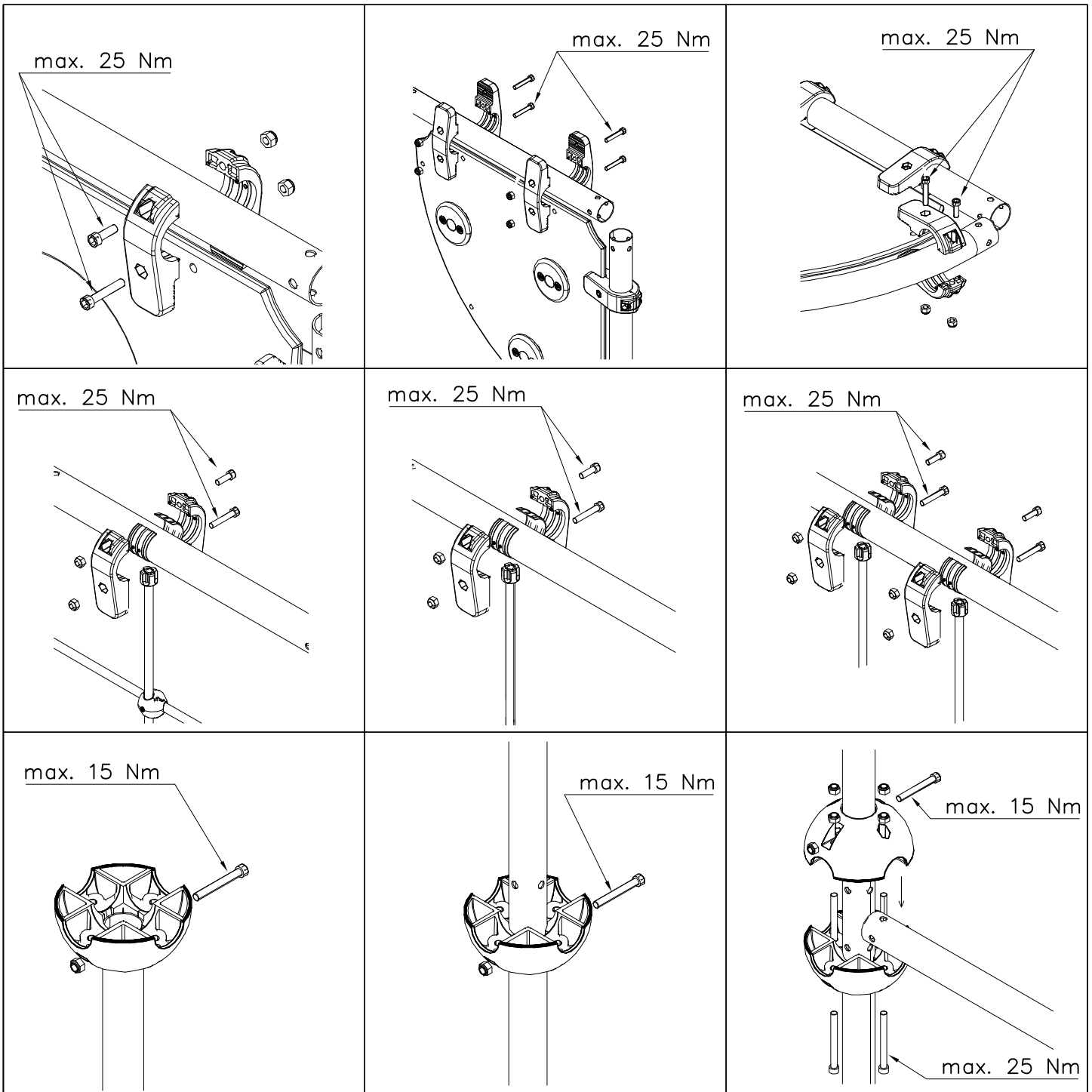


DATE: 5.7.2013



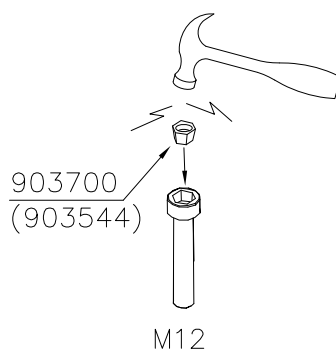
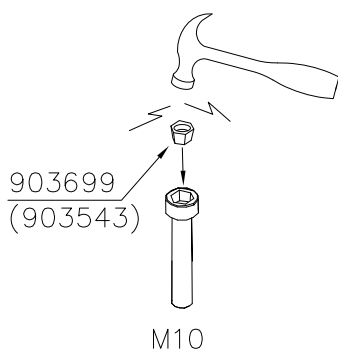
Max Falling Height 450 mm

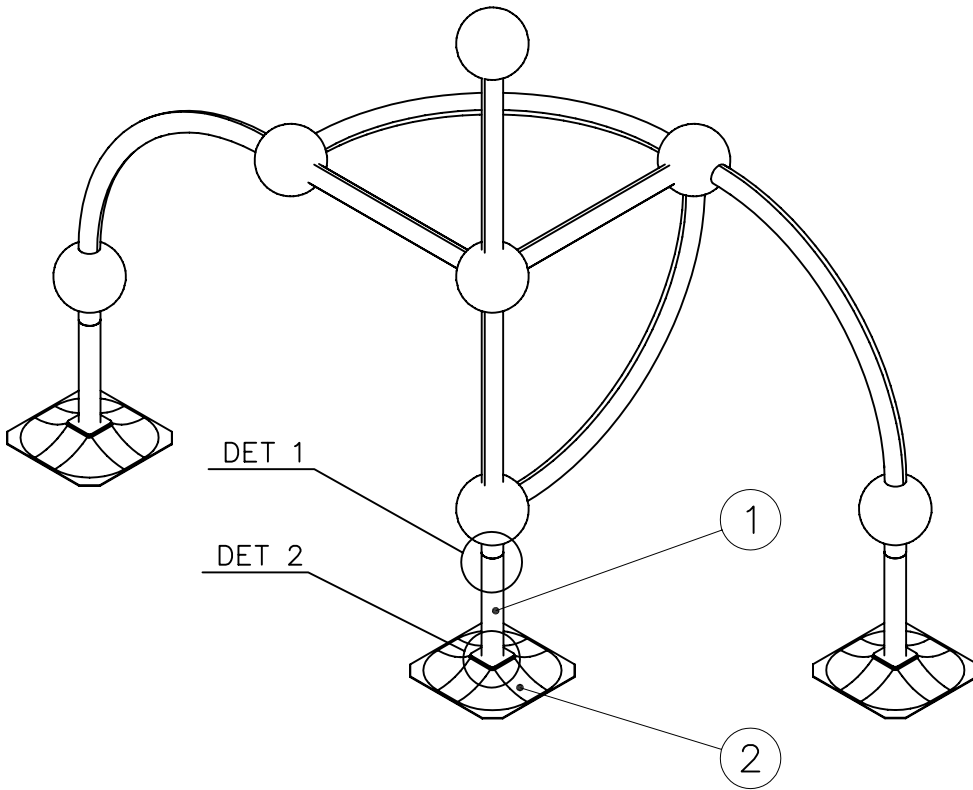



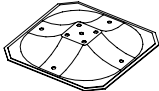


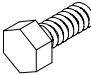


Hoi!  
Pultit on kiristettävä lopulliseen kireyteen,  
ennen turvapinnien asennusta.

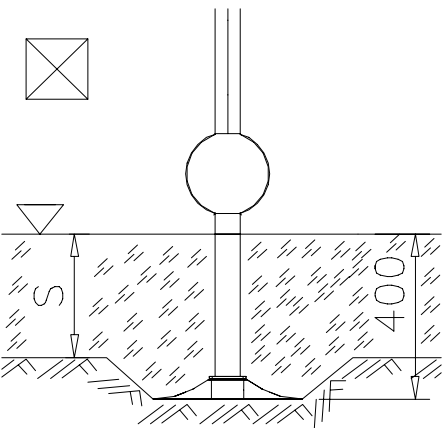
Note!  
Tighten bolts properly,  
before installing securityplugs.



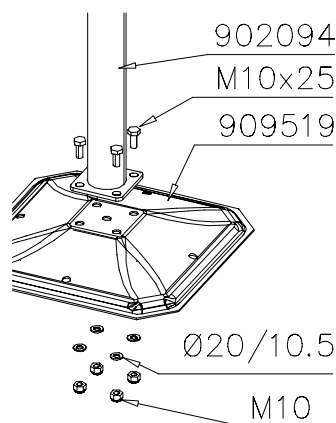


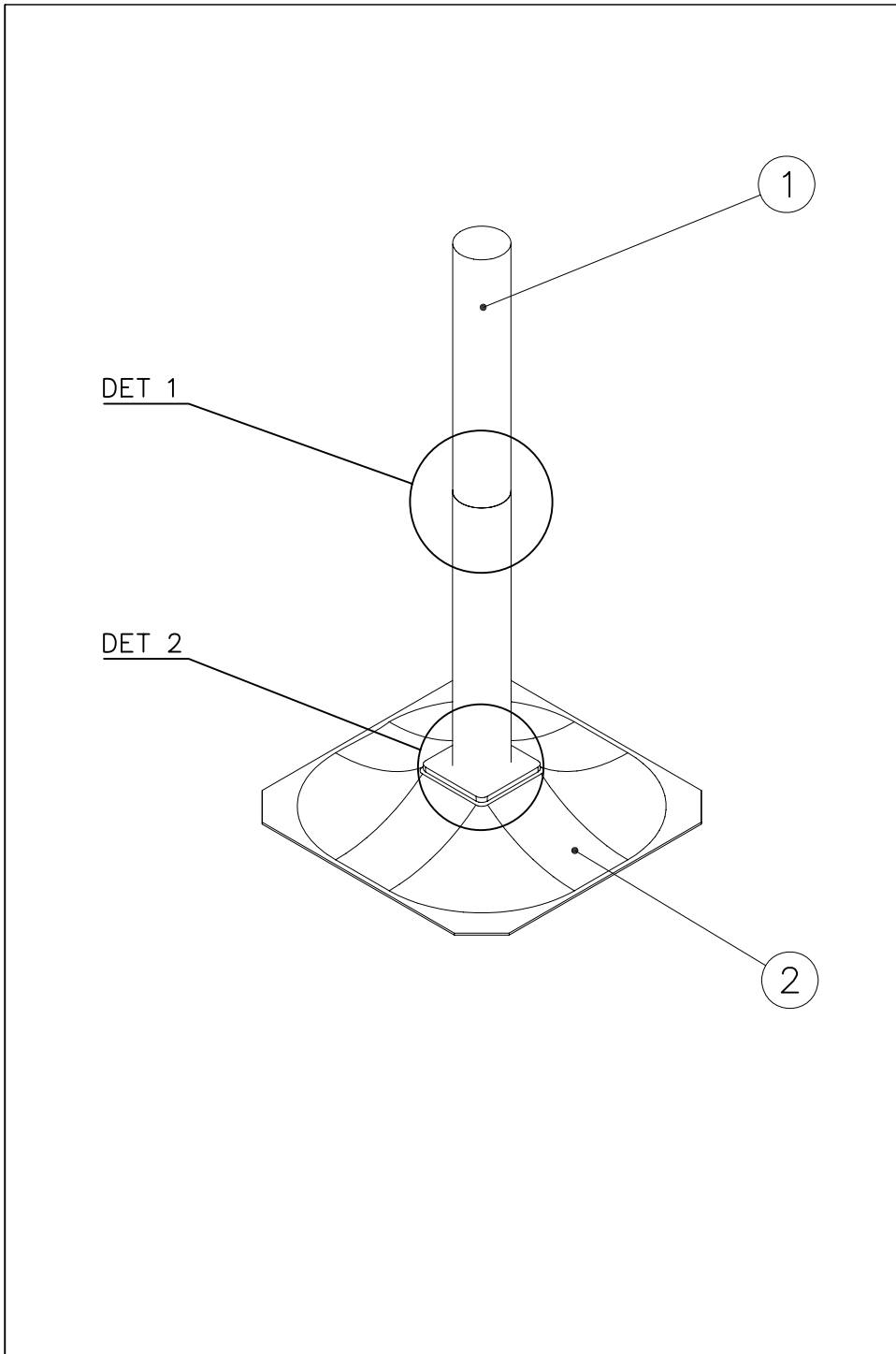
① 902094	PCS	② 909519	PCS
	1		1
Ø60x450		50x380x380	
③ 909637	PCS	④ 909638	PCS
	4		4
M10		Ø20/10,5	
⑤ 909639	PCS		PCS
	4		
M10x25			
	PCS		PCS
	PCS		PCS
	PCS		PCS

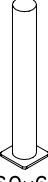
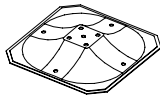
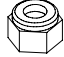

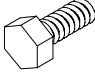
DET 1

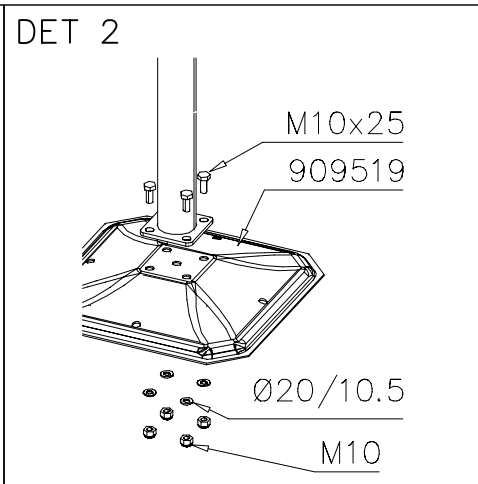
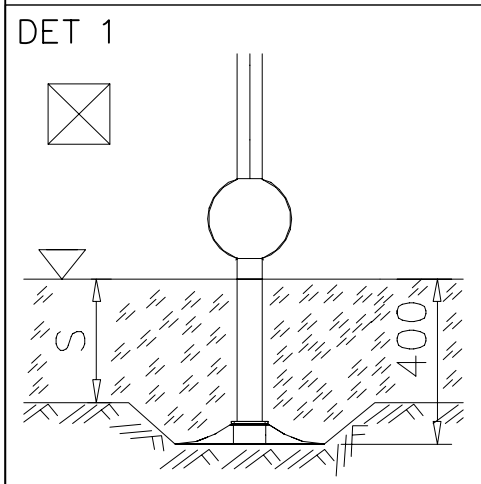


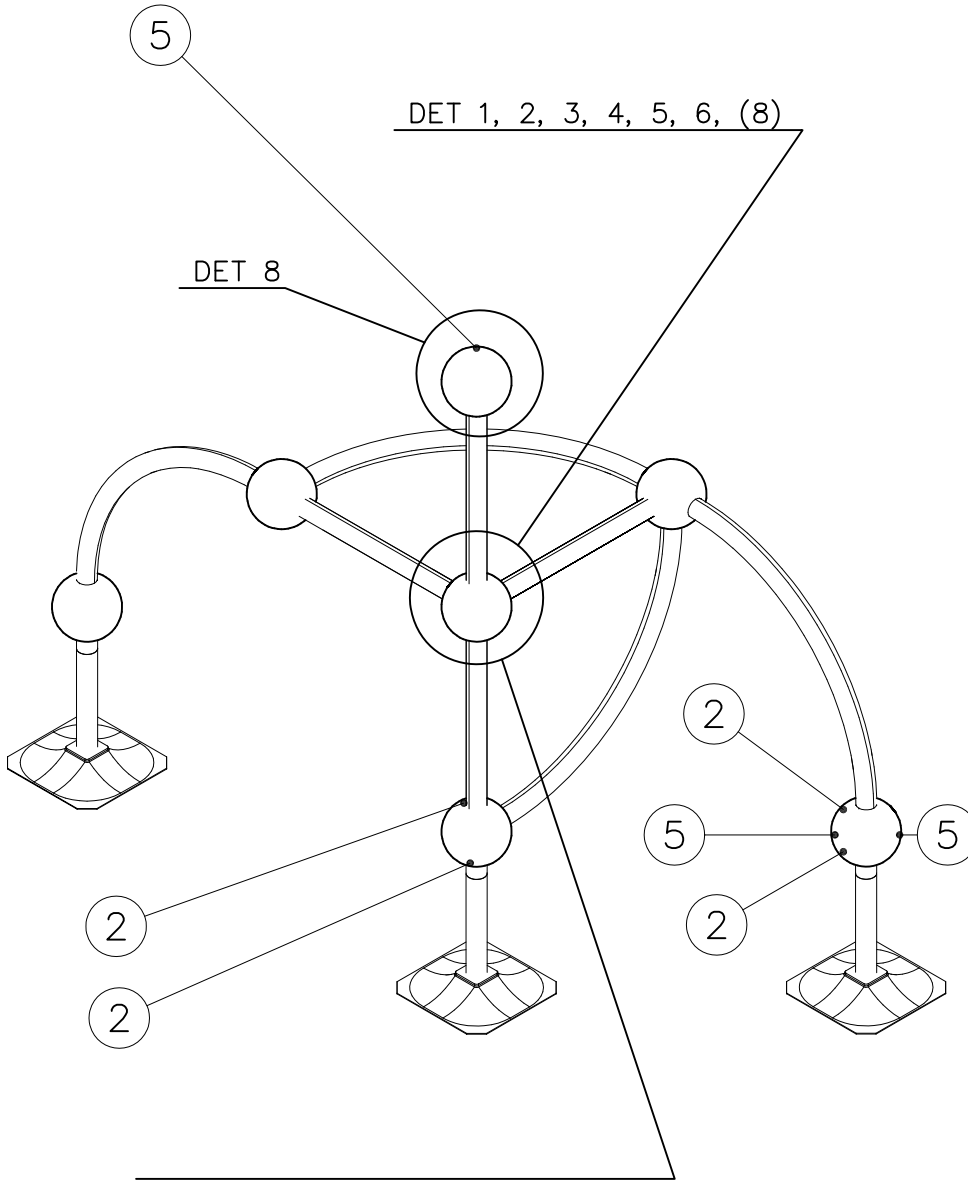
DET 2



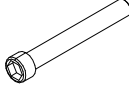

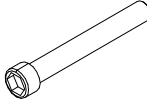



① 904034	PCS	② 909519	PCS
	1		1
Ø60x663		50x380x380	
③ 909637	PCS	④ 909638	PCS
	4		4
M10		Ø20/10,5	
⑤ 909639	PCS		PCS
	4		
M10x25			
	PCS		PCS
	PCS		PCS
	PCS		PCS

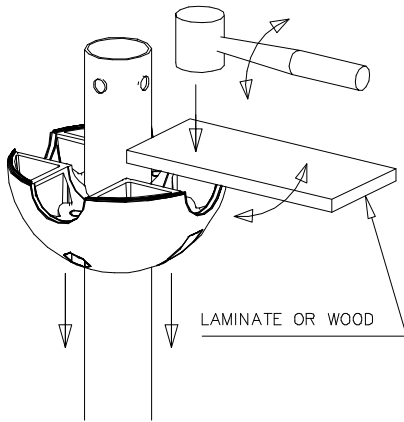




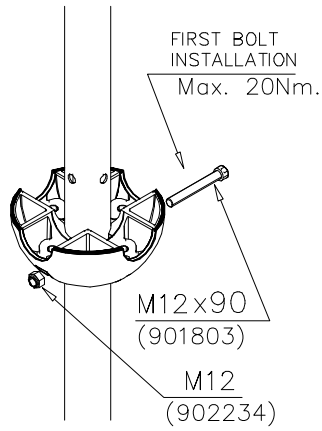
DO NOT TIGHTEN THE JOINTS UNTIL THE STRUCTURE IS COMPLETE.

① 901803	PCS	② 901994	PCS
	2		2
M12x90		Ø190	
③ 902096	PCS	④ 902234	PCS
	4		6
M12x120		M12	
	PCS		PCS
	PCS		PCS
	PCS		PCS
	PCS		PCS
	PCS		PCS
	PCS		PCS

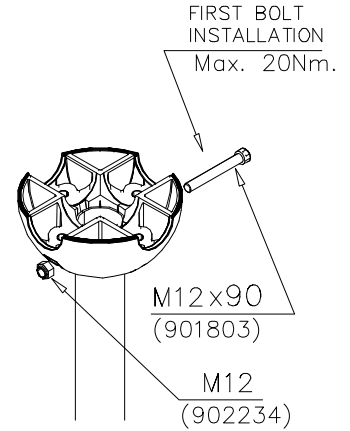
DET 1



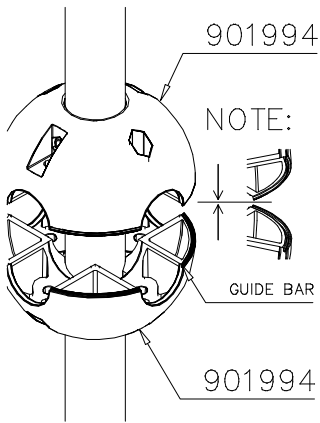
DET 2



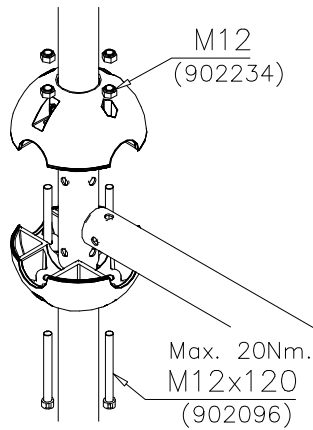
DET 3



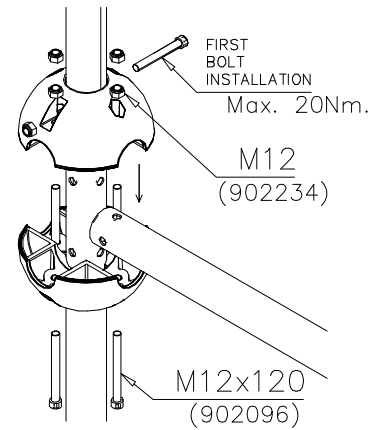
DET 4



DET 5

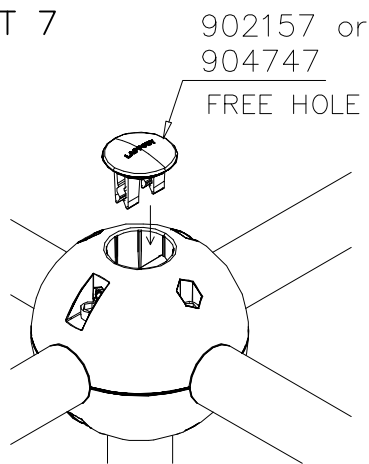


DET 6



REMEMBER  
FINAL  
TIGHTENING

DET 7



DET 8

