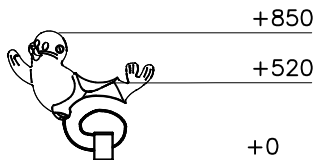
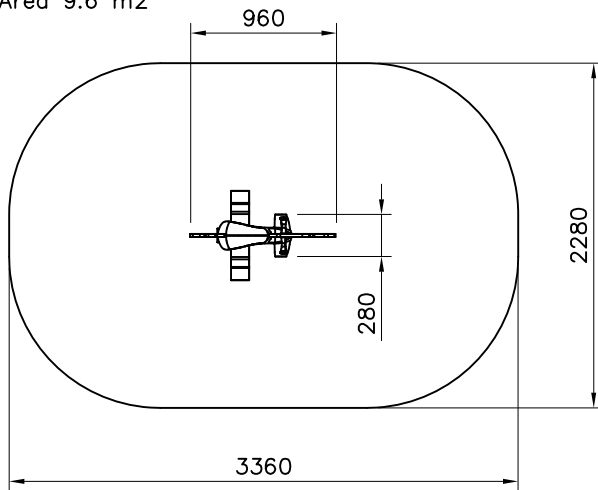


EN Impact Area 9.6 m²



① 901899	PCS	② 902095	PCS
	6		1
M8x45			
③ 902133	PCS	④ 902211	PCS
	1		2
LEFT			
⑤ 902303	PCS	⑥ 903149	PCS
	2		2
		M12x30	
⑦ 905023	PCS	⑧ 905032	PCS
	2		1
Ø50x126		8.5x90	
⑨ 905106	PCS	⑩ 905112	PCS
	1		10
590x190x120		Ø22	
⑪ 906511	PCS	⑫ 909146	PCS
	4		2
M12		M12x35	
⑬ 909195	PCS	⑭ 909340	PCS
	2		2
M8x190		M8x80	
⑮ 980150	PCS	⑯ 980151	PCS
	10		11
M8		Ø16/8.4	
⑰ 980154	PCS	⑱ P03700	PCS
	6		1
Ø24/13		20x	

