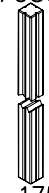
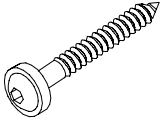
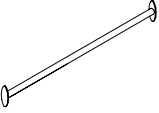
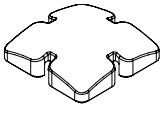
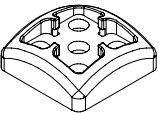
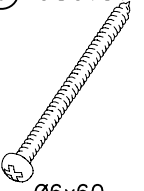
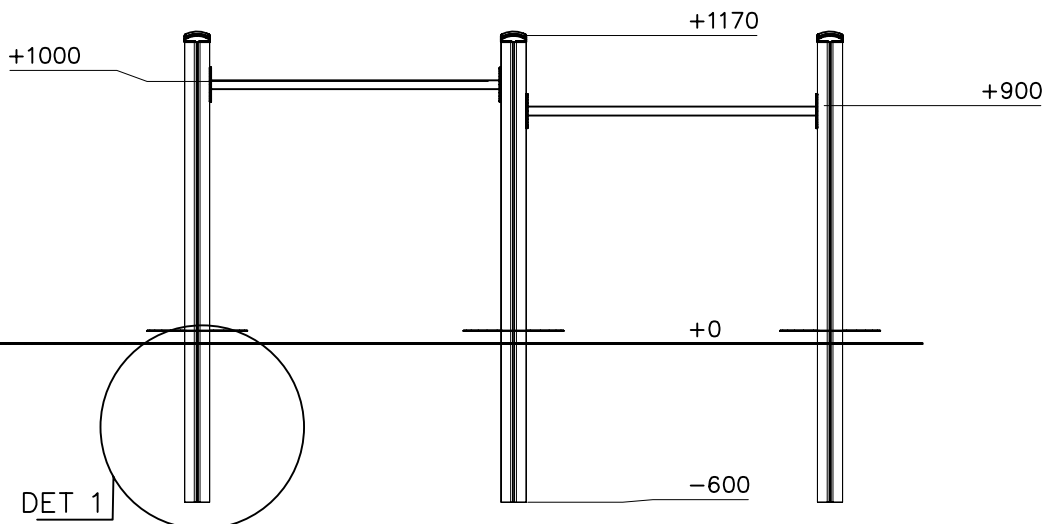
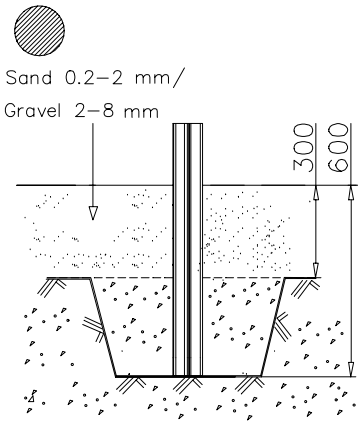


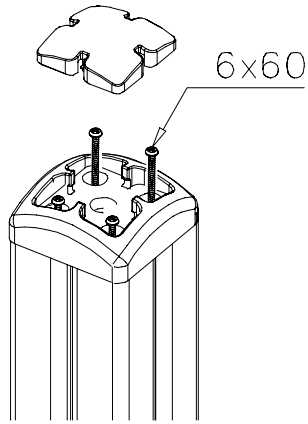
① 703335  L 1750	PCS 3	② 900240  8x70	PCS 8
③ 901785  L 1104	PCS 2	④ 905138  GRAY	PCS 3
⑤ 905196  GRAY	PCS 3	⑥ 980131  Ø6x60	PCS 12
	PCS		PCS
	PCS		PCS



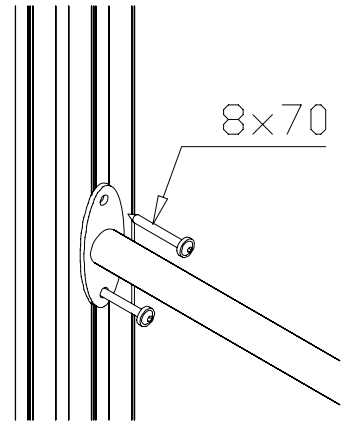
DET 1



DET 2



DET 3



EN Impact Area 14.8 m²
Falling Space 14.8 m²
Max Falling Height 1000 mm

