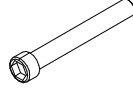

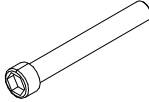

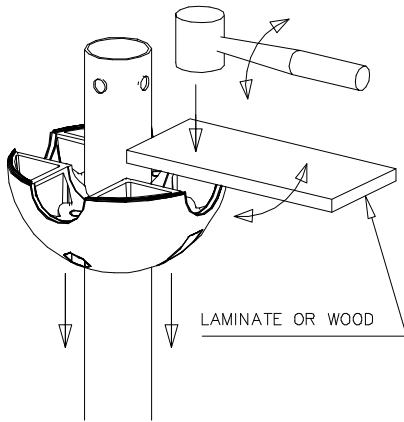


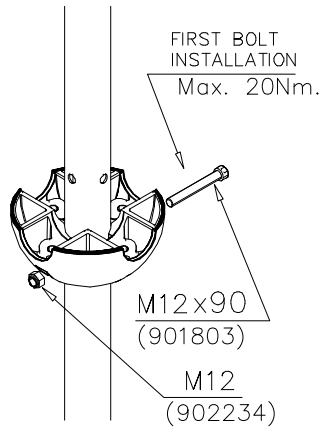
DO NOT TIGHTEN THE JOINTS UNTIL THE STRUCTURE IS COMPLETE.

① 901803	PCS	② 901994	PCS
	2		2
M12x90		Ø190	
③ 902096	PCS	④ 902234	PCS
	4		6
M12x120		M12	
	PCS		PCS
	PCS		PCS
	PCS		PCS
	PCS		PCS
	PCS		PCS
	PCS		PCS

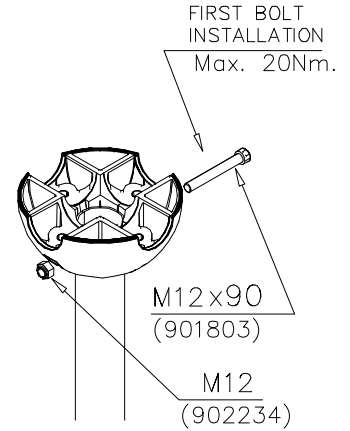
DET 1



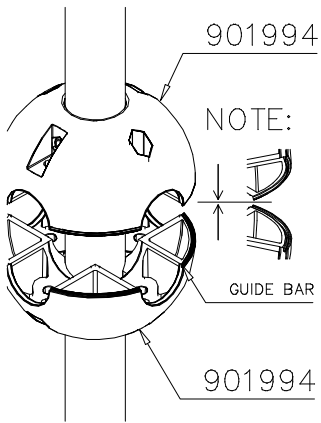
DET 2



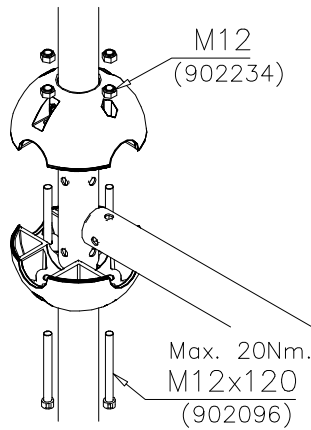
DET 3



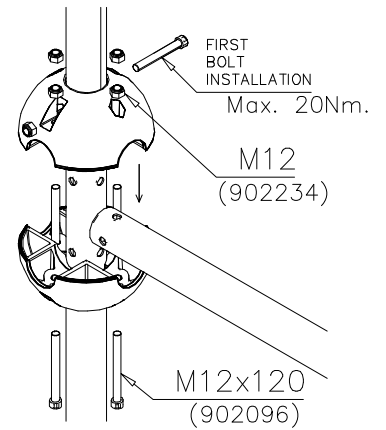
DET 4



DET 5

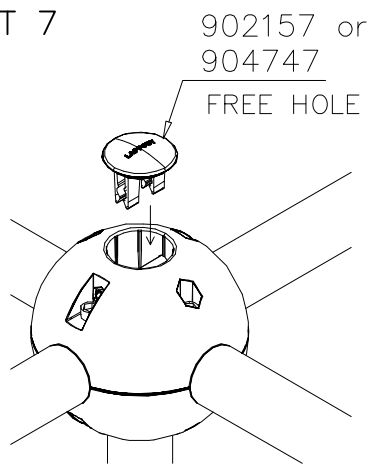


DET 6



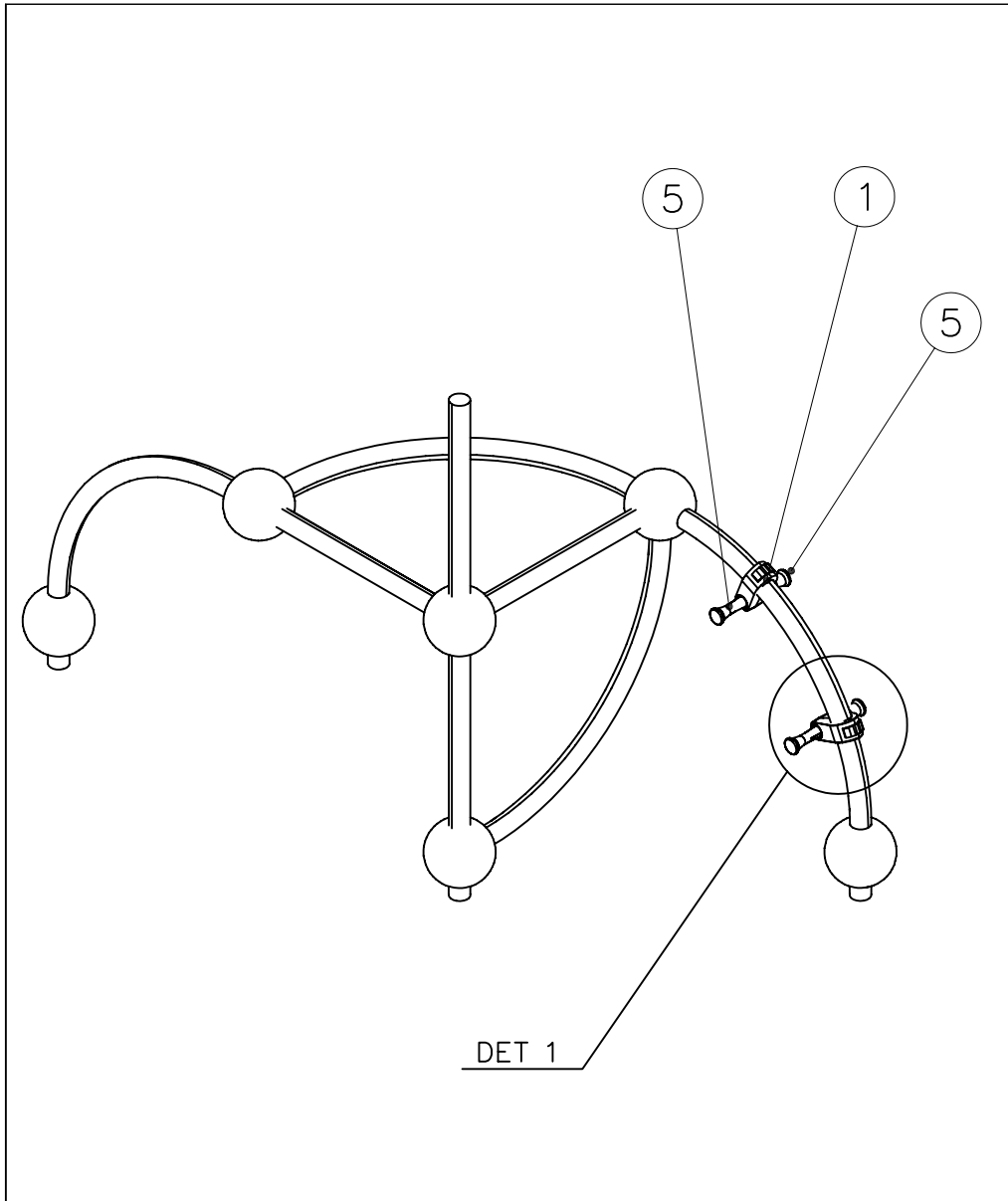
REMEMBER  
FINAL  
TIGHTENING

DET 7



DET 8

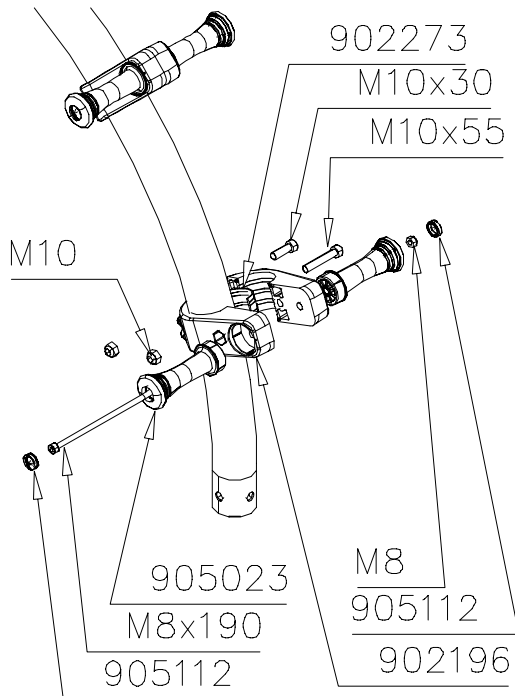


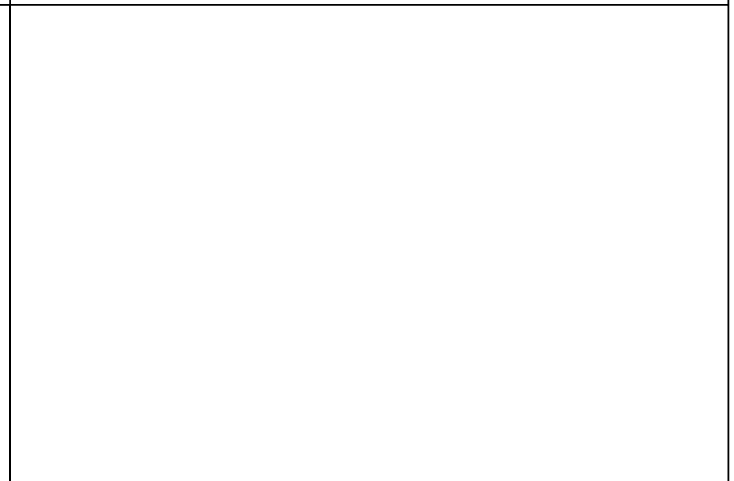
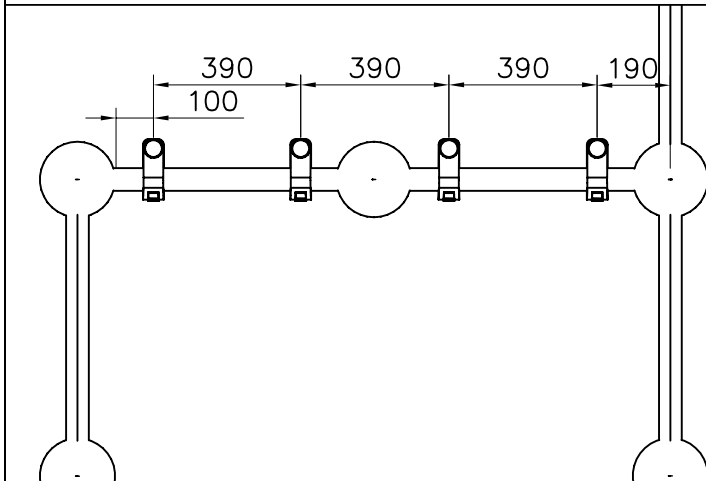
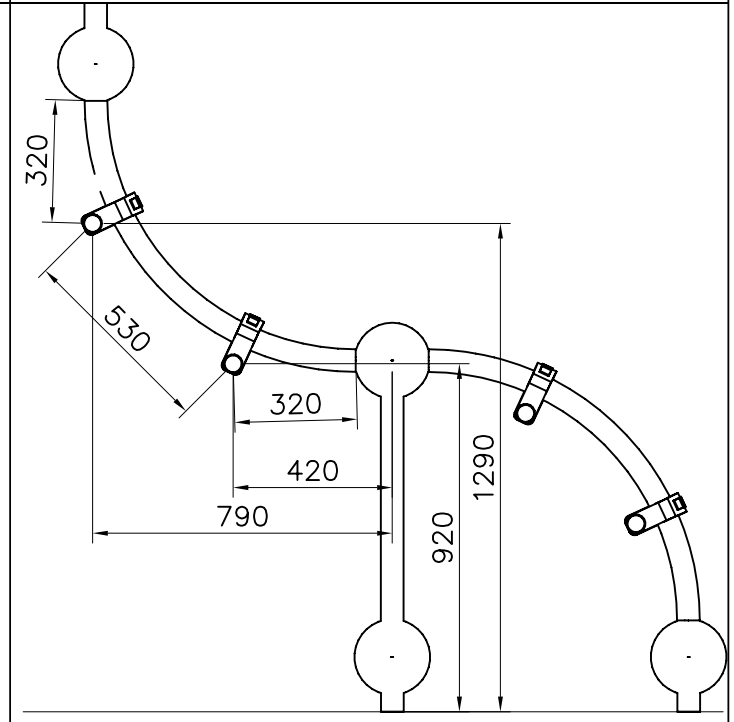
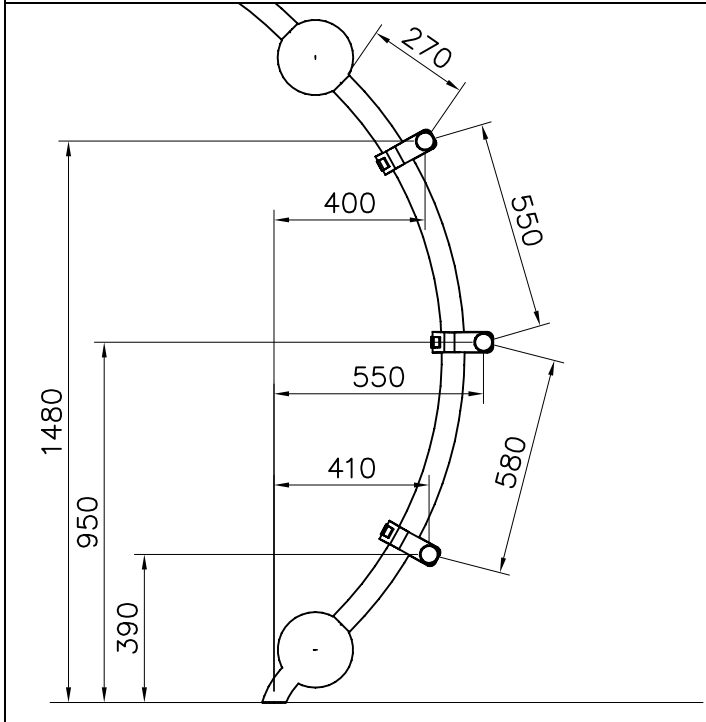
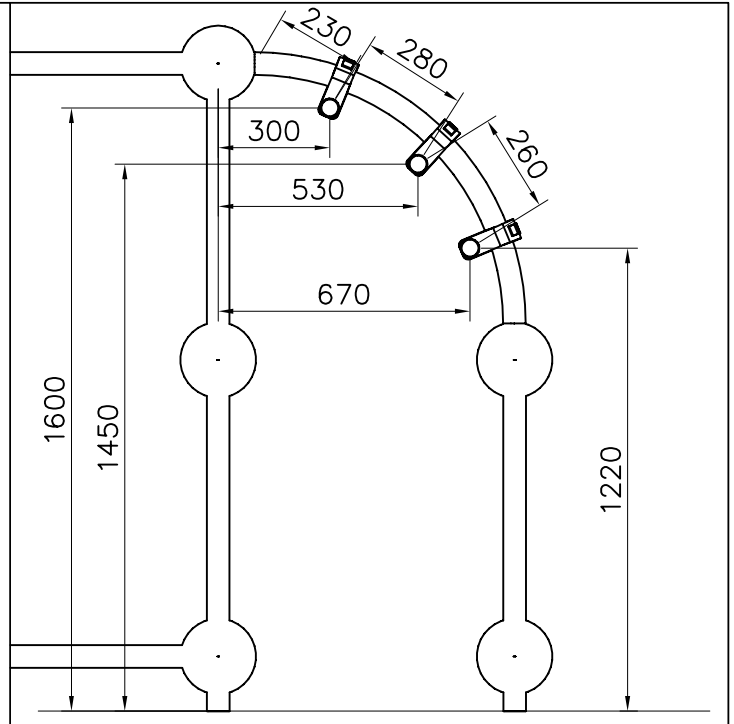
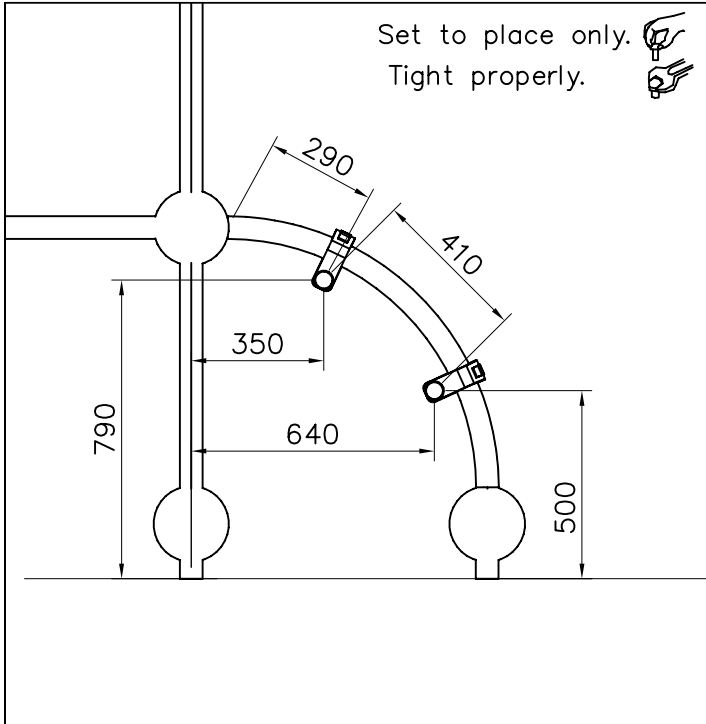


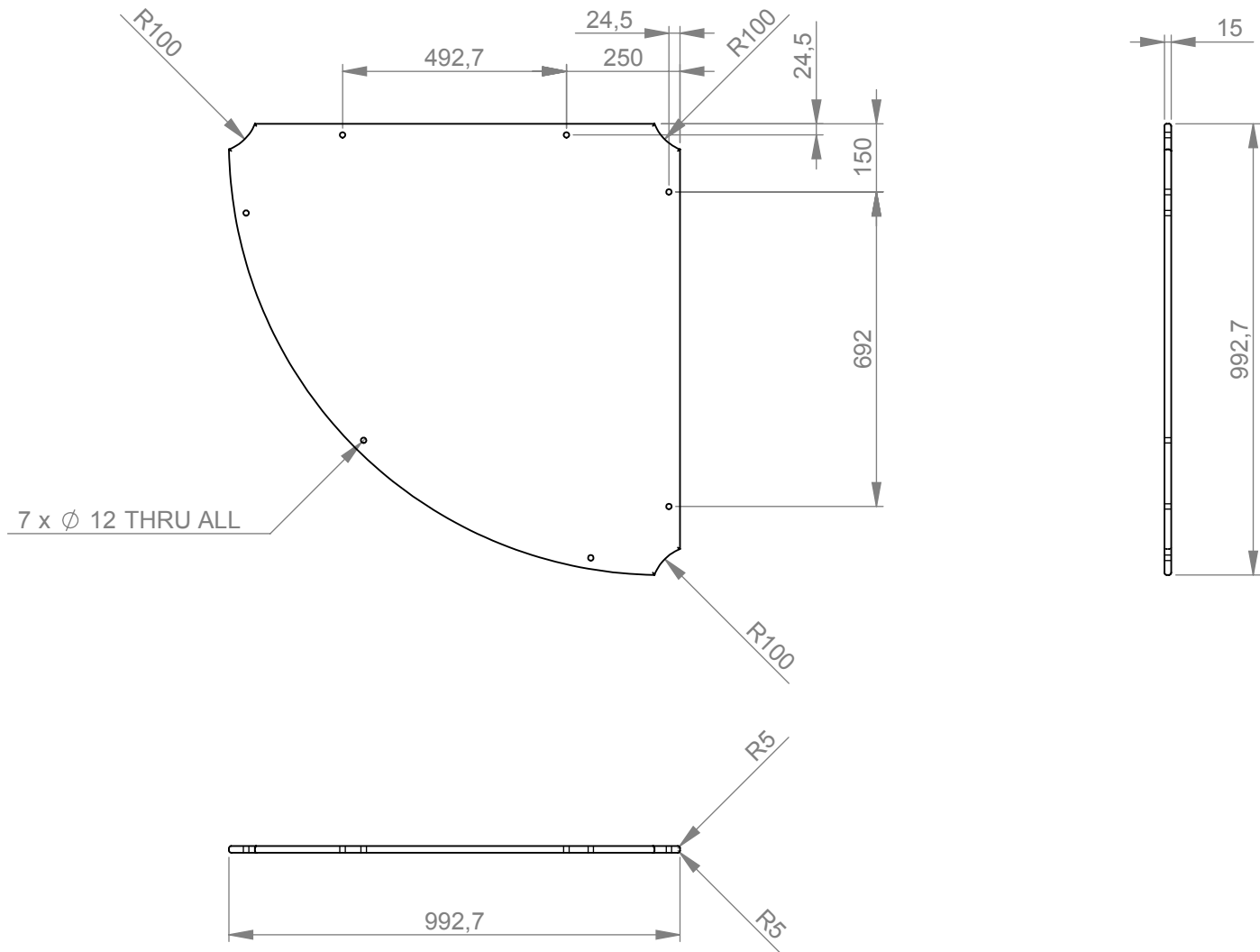
DET 1

① 902196	PCS	② 902232	PCS
	2		1
150x50x50		M10x55	
③ 902233	PCS	④ 902273	PCS
	1		2
M10x30			
⑤ 905023	PCS	⑥ 905112	PCS
	2		2
Ø50x126		Ø22	
⑦ 909195	PCS	⑧ 980150	PCS
	1		1
M8x190		M8	
⑨ 980161	PCS		PCS
	2		
M10			
	PCS		PCS



DET 1





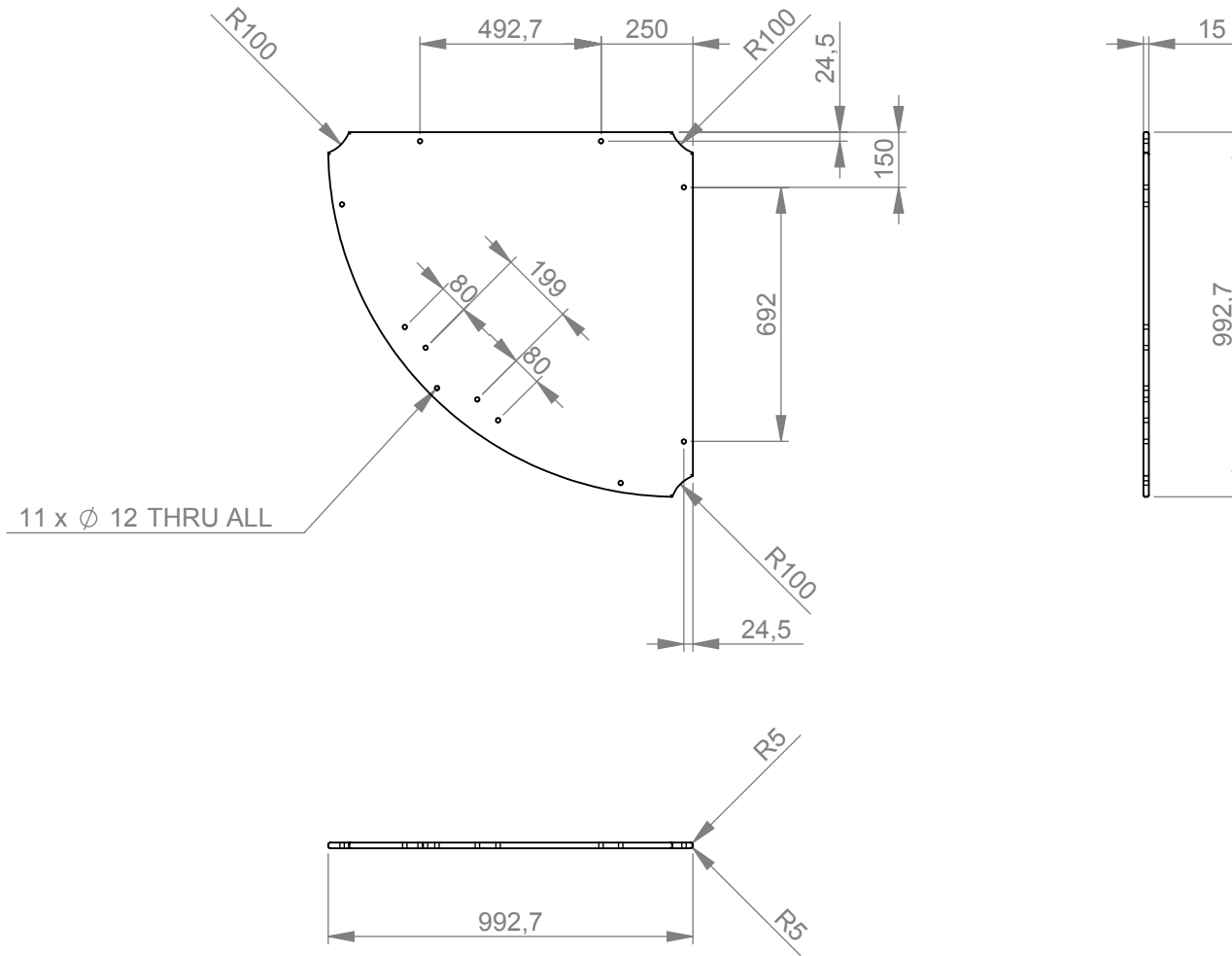


7 x Ø 12 THRU ALL

1	902370	LAMINAATTI T.HARMAA	15mm	1	0.98 m2	F2297, LI L21 /25 COMPACT 2
part osa	code nimike	item description nimikkeen kuvaus	dimension koko	pcs kpl	amount määrä	material / note raaka-aine / lisätieto
description kuvaus				mass massa	16.409 kg	phase tila
LATTIALEVY				turn kääntö	item nr nimike nro	
						P01219
			revision revisio nro	arkki size	tolerances yleistoleranssi	
Growth Through play www.lappset.com			1	A4	LS01-001	
TEL +358 (0) 207 750 100 FAX +358 (0) 207 750 101 PL 8146 SF-96101 ROVANIEMI			scale suhde	page sivu	date päiväys	name nimi
			1:15	1/1	23.07.09	TPU
				check tark.	23.12.11	TPU

Copyright Lappset Group Ltd

date päiväys	name nimi	note huom.	Alteration Muutoskenttä
-----------------	--------------	---------------	----------------------------



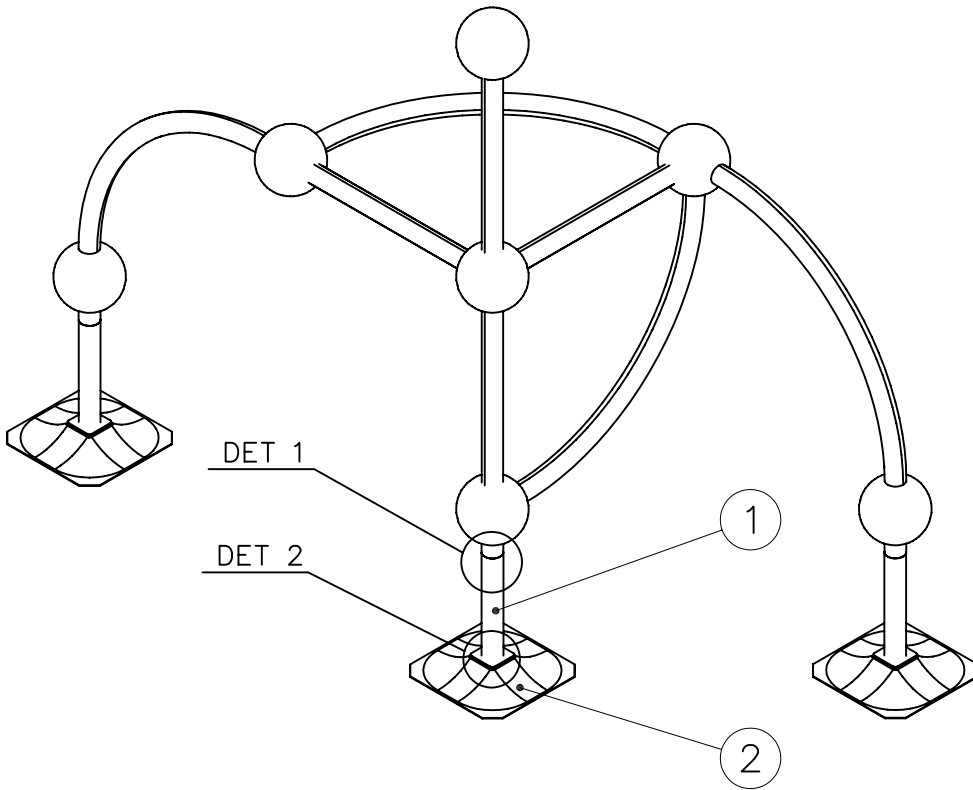
1	904129	LAMINATE, YELLOW	15 mm	1	0.98 m2	F1485, LI /25 COMPACT 2
part osa	code nimike	item description nimikkeen kuvaus	dimension koko	pcs kpl	amount määrä	material / note raaka-aine / lisätieto
description kuvaus				mass massa	16.4 kg	phase tila
LATTIALEVY LIUKU				turn kääntö		item nr nimike nro
						P02153
				revision revisio nro	2	tolerances yleistoleranssi
				arkki size	A4	LS01-001
				page sivu	1/1	date päiväys
				scale suhde	1:20	name nimi
					des. suun.	11.01.12
					check tark.	11.01.12
						TPU
						TPU


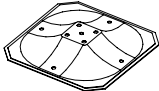


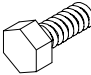
11.01.12	TPU	Vaihdettu materiaali 902958 -> 904129	Alteration Muutoskenttä
date päiväys	name nimi	note huom.	



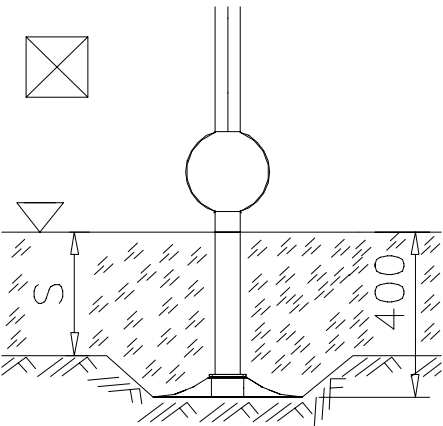
Growth Through play  
www.lappset.com

TEL +358 (0) 207 750 100  
FAX +358 (0) 207 750 101  
PL 8146  
SF-96101 ROVANIEMI

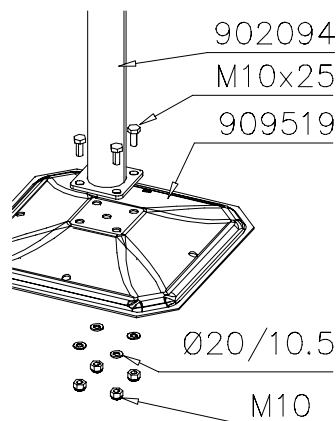


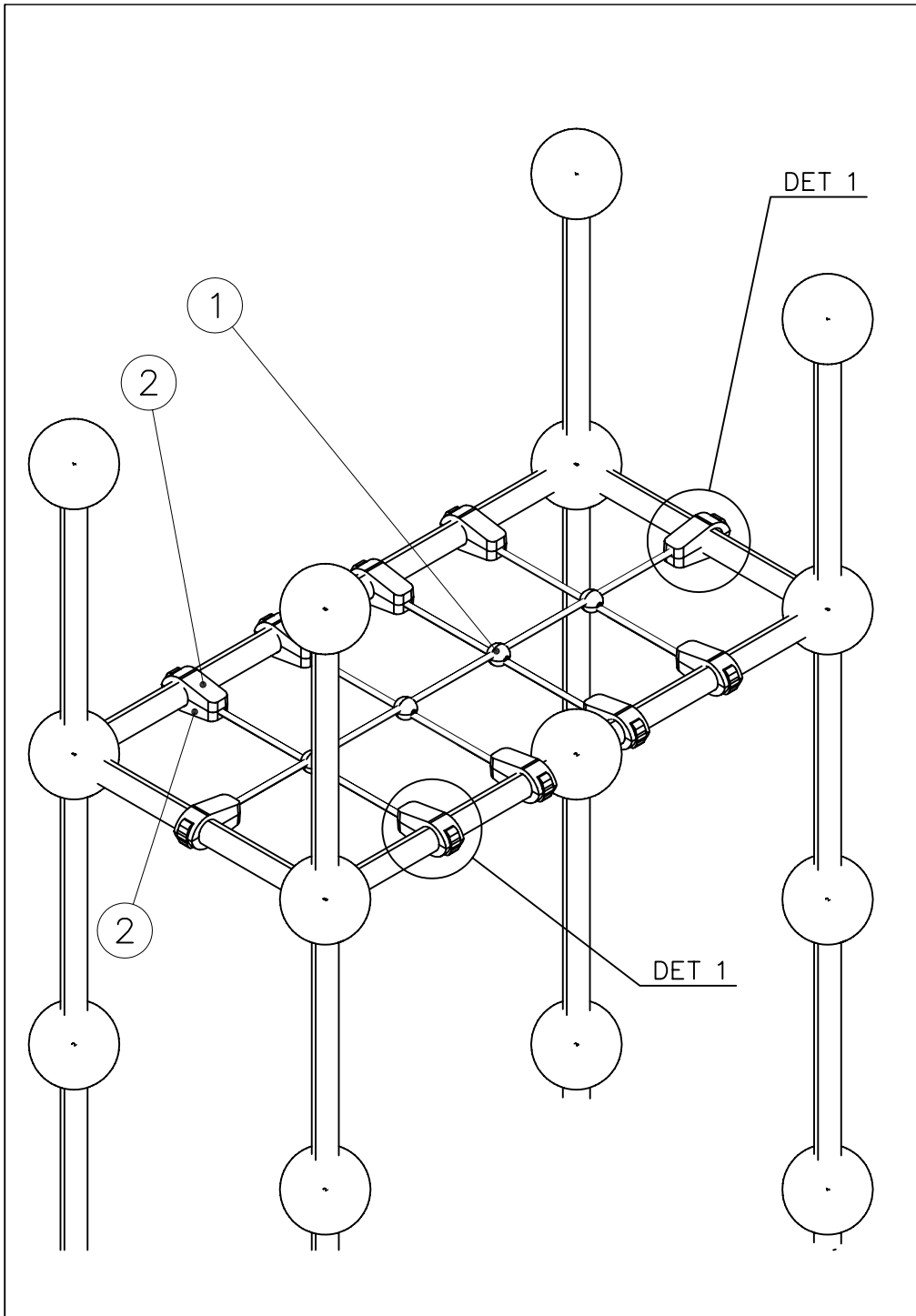
① 902094	PCS	② 909519	PCS
	1		1
Ø60x450		50x380x380	
③ 909637	PCS	④ 909638	PCS
	4		4
M10		Ø20/10,5	
⑤ 909639	PCS		PCS
	4		
M10x25			
	PCS		PCS
	PCS		PCS
	PCS		PCS

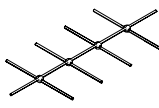
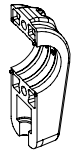
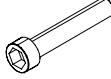
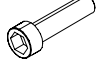
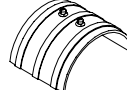

DET 1

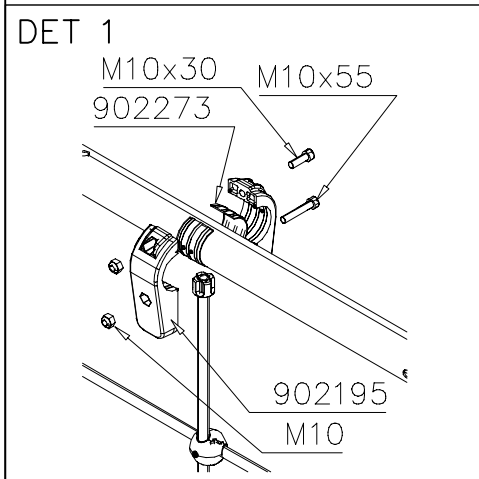


DET 2

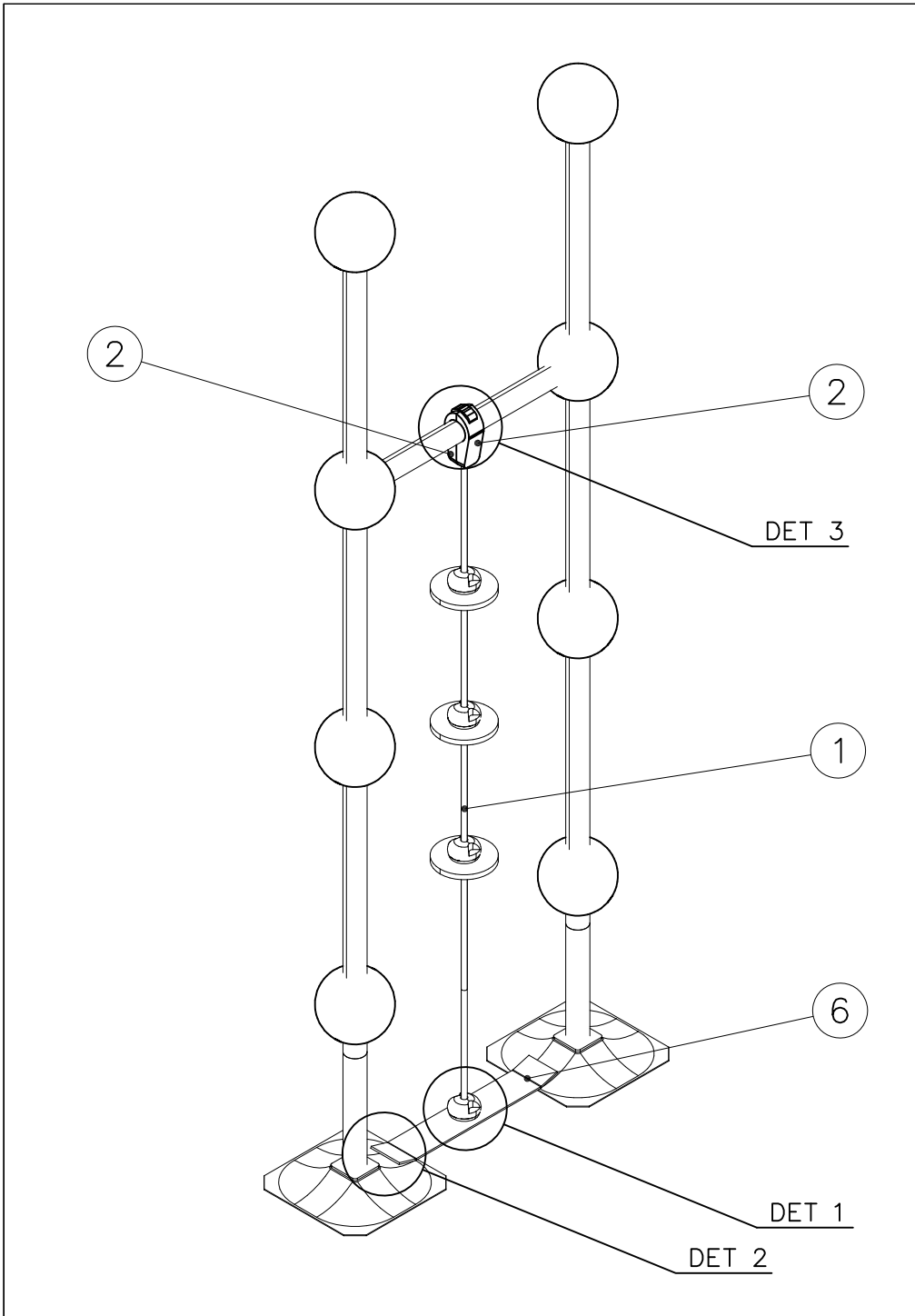




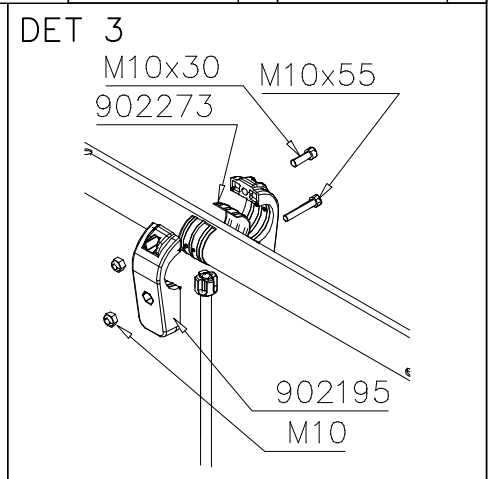
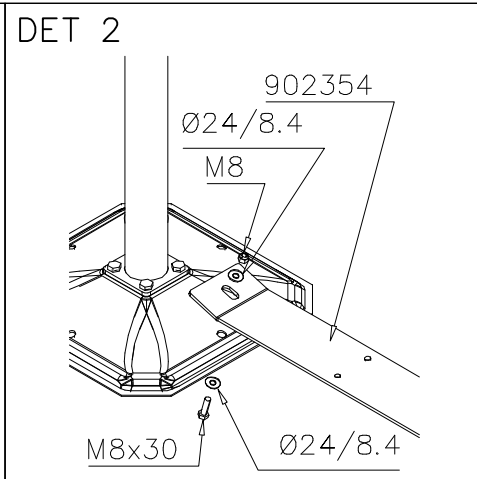
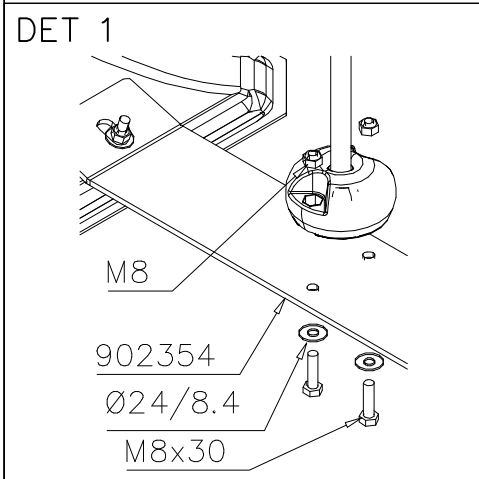
① 702009	PCS	② 902195	PCS
	1		20
		150*50*50	
③ 902232	PCS	④ 902233	PCS
	10		10
M10x55		M10x30	
⑤ 902273	PCS	⑥ 980161	PCS
	20		20
		M10	
	PCS		PCS
	PCS		PCS
	PCS		PCS







① 702061	PCS	② 902195	PCS
	1		2
2028		150*50*50	
③ 902232	PCS	④ 902233	PCS
	1		1
M10x55		M10x30	
⑤ 902273	PCS	⑥ 902354	PCS
	2		1
⑦ 909274	PCS	⑧ 980152	PCS
	4		6
M8x30		Ø24/8.4x2	
⑨ 980150	PCS	⑩ 980161	PCS
	4		2
M8		M10	
	PCS		PCS

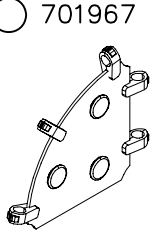
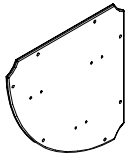
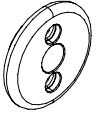
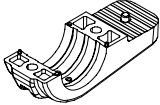

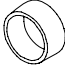


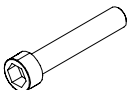
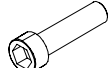
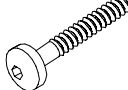
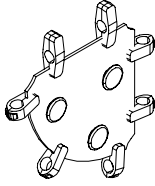
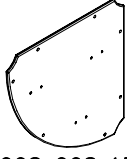
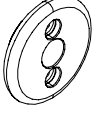
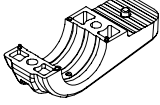
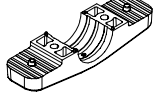


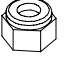

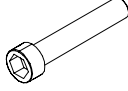
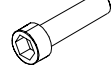
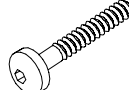
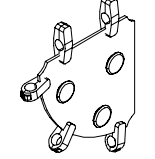
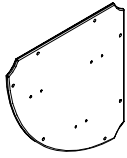
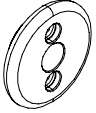
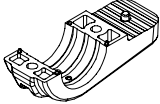
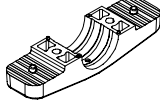
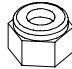

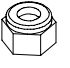

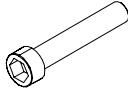
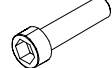
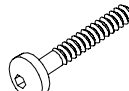


# LAPPSET® WALL AND FLOOR

# CLOXX

DATE: 3.8.2010

1(3)

 <p>701967</p>	 <p>701936</p> <p>668x668x15</p>	<p>PCS</p> <p>1</p>	 <p>929322</p> <p>Ø120x30</p>	<p>PCS</p> <p>3</p>	 <p>902124</p> <p>150x50x50</p>	<p>PCS</p> <p>10</p>	 <p>980161</p> <p>M10</p>	<p>PCS</p> <p>10</p>	 <p>905112</p> <p>Ø22</p>	<p>PCS</p> <p>6</p>	 <p>980150</p> <p>M8</p>	<p>PCS</p> <p>6</p>
	 <p>909256</p> <p>Ø16/8.4x1.6</p>	<p>PCS</p> <p>6</p>	 <p>902232</p> <p>M10x55</p>	<p>PCS</p> <p>5</p>	 <p>902233</p> <p>M10x30</p>	<p>PCS</p> <p>5</p>	 <p>901899</p> <p>M8x45</p>	<p>PCS</p> <p>6</p>		<p>PCS</p>		<p>PCS</p>
		<p>PCS</p>		<p>PCS</p>		<p>PCS</p>		<p>PCS</p>		<p>PCS</p>		<p>PCS</p>
 <p>701987</p>	 <p>701936</p> <p>668x668x15</p>	<p>PCS</p> <p>1</p>	 <p>929322</p> <p>Ø120x30</p>	<p>PCS</p> <p>3</p>	 <p>902124</p> <p>150x50x50</p>	<p>PCS</p> <p>10</p>	 <p>902197</p> <p>200x50x50</p>	<p>PCS</p> <p>4</p>	 <p>980161</p> <p>M10</p>	<p>PCS</p> <p>14</p>	 <p>905112</p> <p>Ø22</p>	<p>PCS</p> <p>6</p>
	 <p>980160</p> <p>M8</p>	<p>PCS</p> <p>6</p>	 <p>909256</p> <p>Ø16/8.4x1.6</p>	<p>PCS</p> <p>6</p>	 <p>902232</p> <p>M10x55</p>	<p>PCS</p> <p>9</p>	 <p>902233</p> <p>M10x30</p>	<p>PCS</p> <p>5</p>	 <p>901899</p> <p>M8x45</p>	<p>PCS</p> <p>6</p>		<p>PCS</p>
		<p>PCS</p>		<p>PCS</p>		<p>PCS</p>		<p>PCS</p>		<p>PCS</p>		<p>PCS</p>
 <p>702046</p>	 <p>701936</p> <p>668x668x15</p>	<p>PCS</p> <p>1</p>	 <p>929322</p> <p>Ø120x30</p>	<p>PCS</p> <p>3</p>	 <p>902124</p> <p>150x50x50</p>	<p>PCS</p> <p>10</p>	 <p>902197</p> <p>200x50x50</p>	<p>PCS</p> <p>4</p>	 <p>980161</p> <p>M10</p>	<p>PCS</p> <p>10</p>	 <p>905112</p> <p>Ø22</p>	<p>PCS</p> <p>6</p>
	 <p>980150</p> <p>M8</p>	<p>PCS</p> <p>6</p>	 <p>909256</p> <p>Ø16/8.4x1.6</p>	<p>PCS</p> <p>6</p>	 <p>902232</p> <p>M10x55</p>	<p>PCS</p> <p>7</p>	 <p>902233</p> <p>M10x30</p>	<p>PCS</p> <p>3</p>	 <p>901899</p> <p>M8x45</p>	<p>PCS</p> <p>6</p>		<p>PCS</p>
		<p>PCS</p>		<p>PCS</p>		<p>PCS</p>		<p>PCS</p>		<p>PCS</p>		<p>PCS</p>

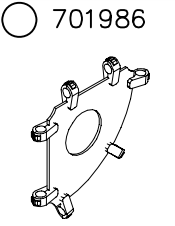
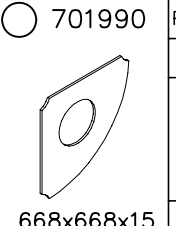
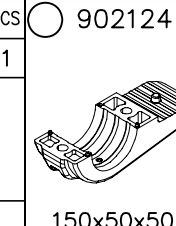
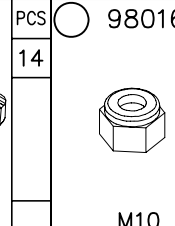
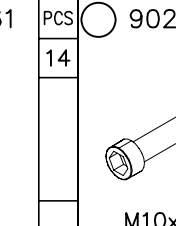
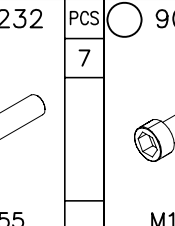
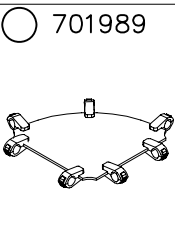
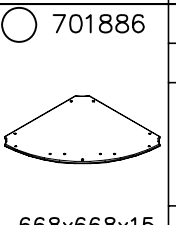
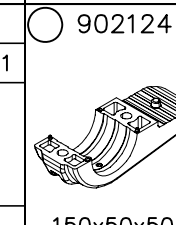
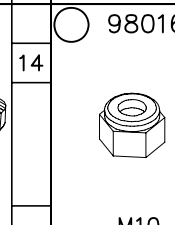
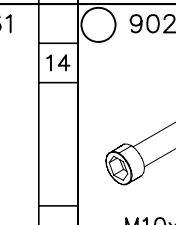
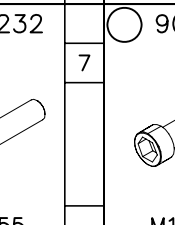
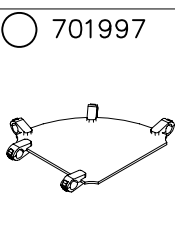
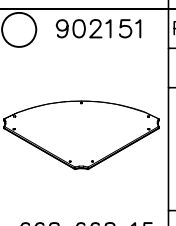
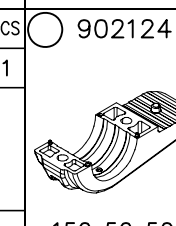
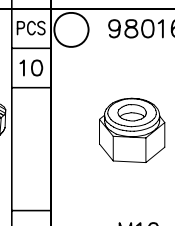
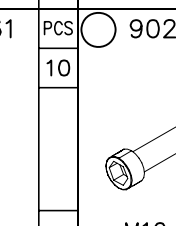
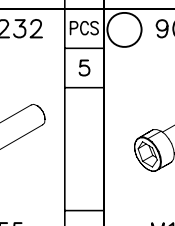
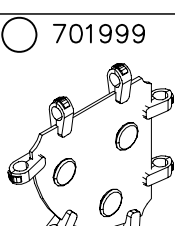
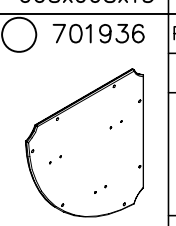
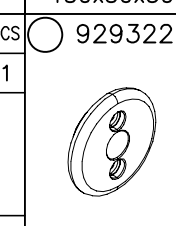
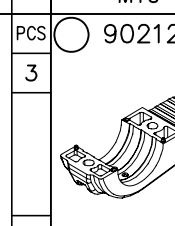
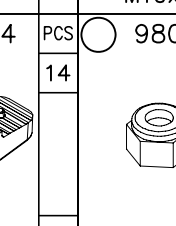
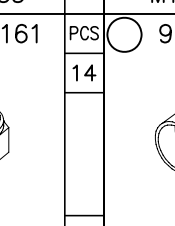
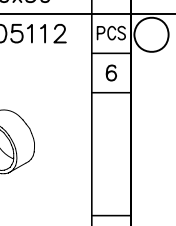
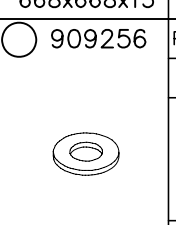
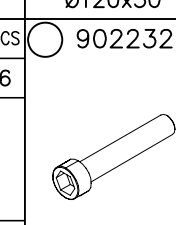
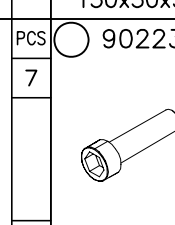
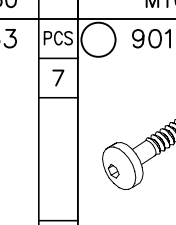
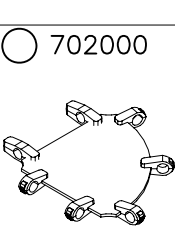
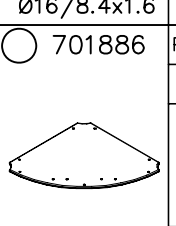
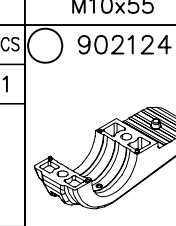
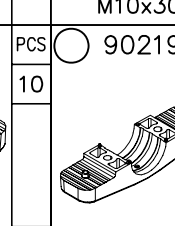
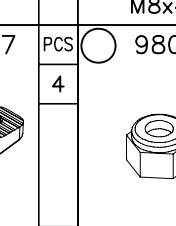
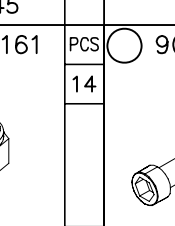
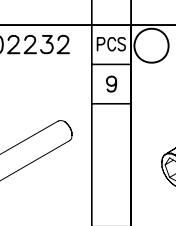
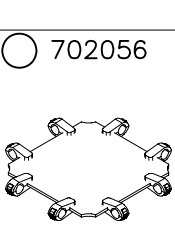
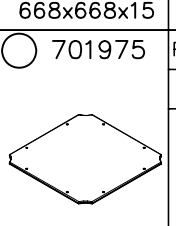
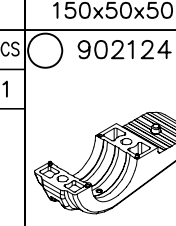
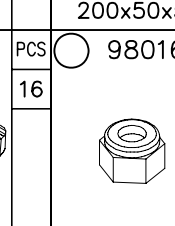
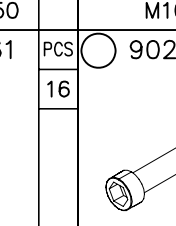
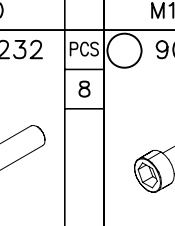
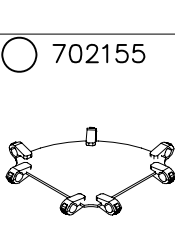
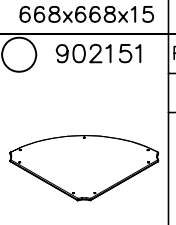
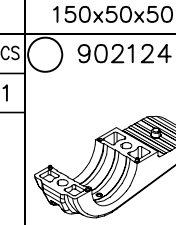
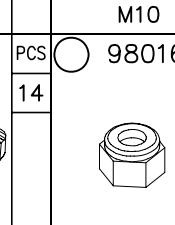
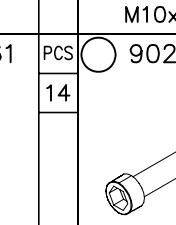
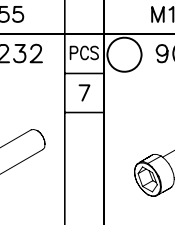
# LAPPSET®

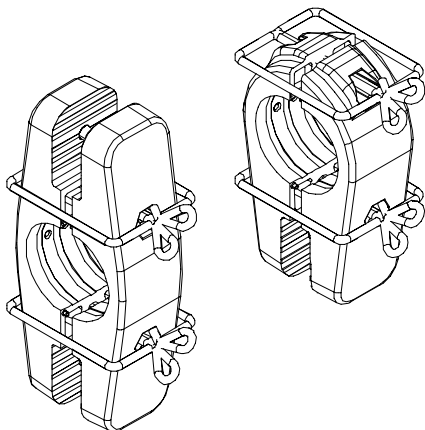
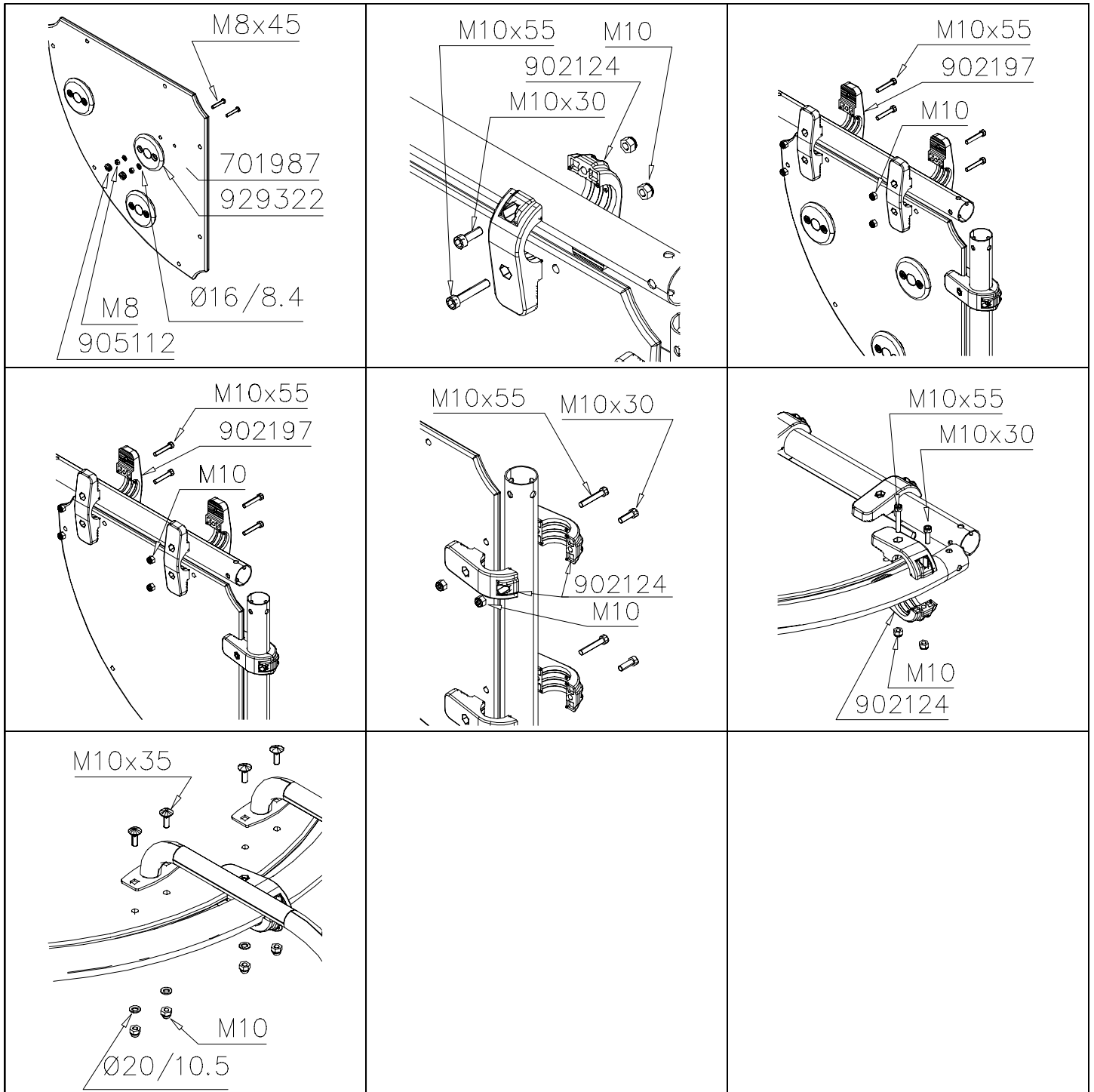
## WALL AND FLOOR

# CLOXX

DATE: 3.8.2010

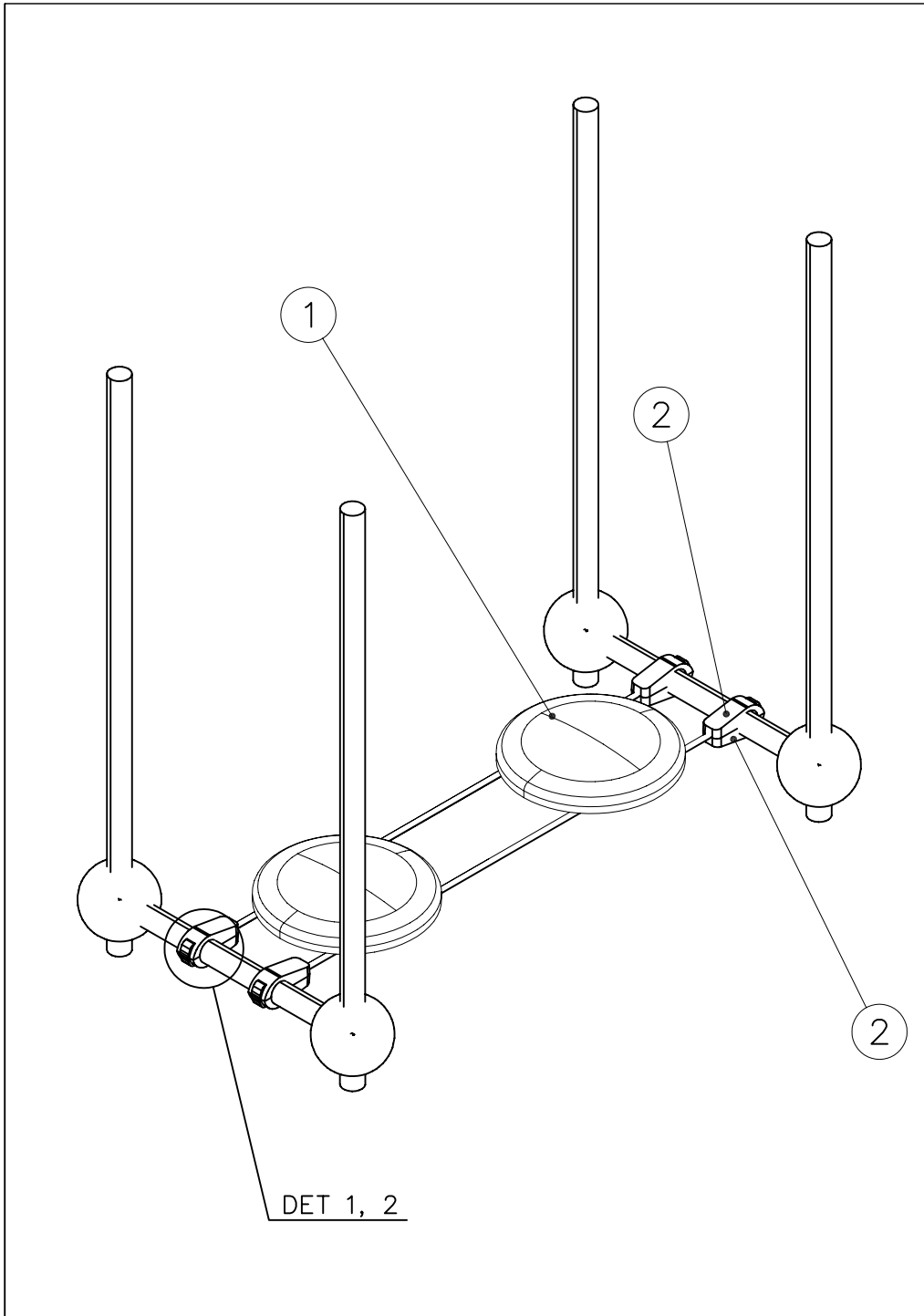
2(3)

 701986	 668x668x15	PCS 1	 150x50x50	PCS 14	 M10	PCS 14	 M10x55	PCS 7	 M10x30	PCS 7		PCS
 701989	 668x668x15	PCS 1	 150x50x50	PCS 14	 M10	PCS 14	 M10x55	PCS 7	 M10x30	PCS 7		PCS
 701997	 668x668x15	PCS 1	 150x50x50	PCS 10	 M10	PCS 10	 M10x55	PCS 5	 M10x30	PCS 5		PCS
 701999	 668x668x15	PCS 1	 Ø120x30	PCS 3	 150x50x50	PCS 14	 M10	PCS 14	 Ø22	PCS 6	 M8	PCS 6
	 Ø16/8.4x1.6	PCS 6	 M10x55	PCS 7	 M10x30	PCS 7	 M8x45	PCS 6		PCS		PCS
 702000	 668x668x15	PCS 1	 150x50x50	PCS 10	 200x50x50	PCS 4	 M10	PCS 14	 M10x55	PCS 9	 M10x30	PCS 5
 702056	 668x668x15	PCS 1	 150x50x50	PCS 16	 M10	PCS 16	 M10x55	PCS 8	 M10x30	PCS 8		PCS
 702155	 668x668x15	PCS 1	 150x50x50	PCS 14	 M10	PCS 14	 M10x55	PCS 7	 M10x30	PCS 7		PCS

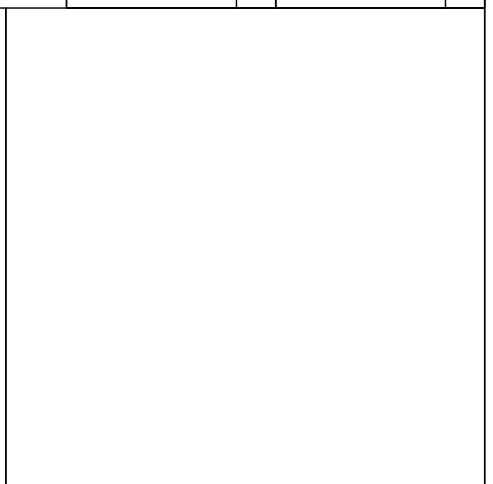
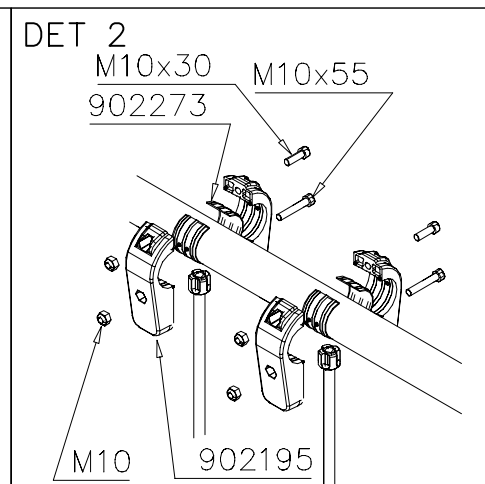
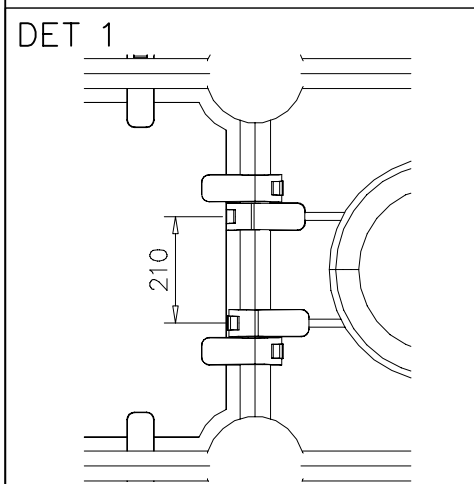


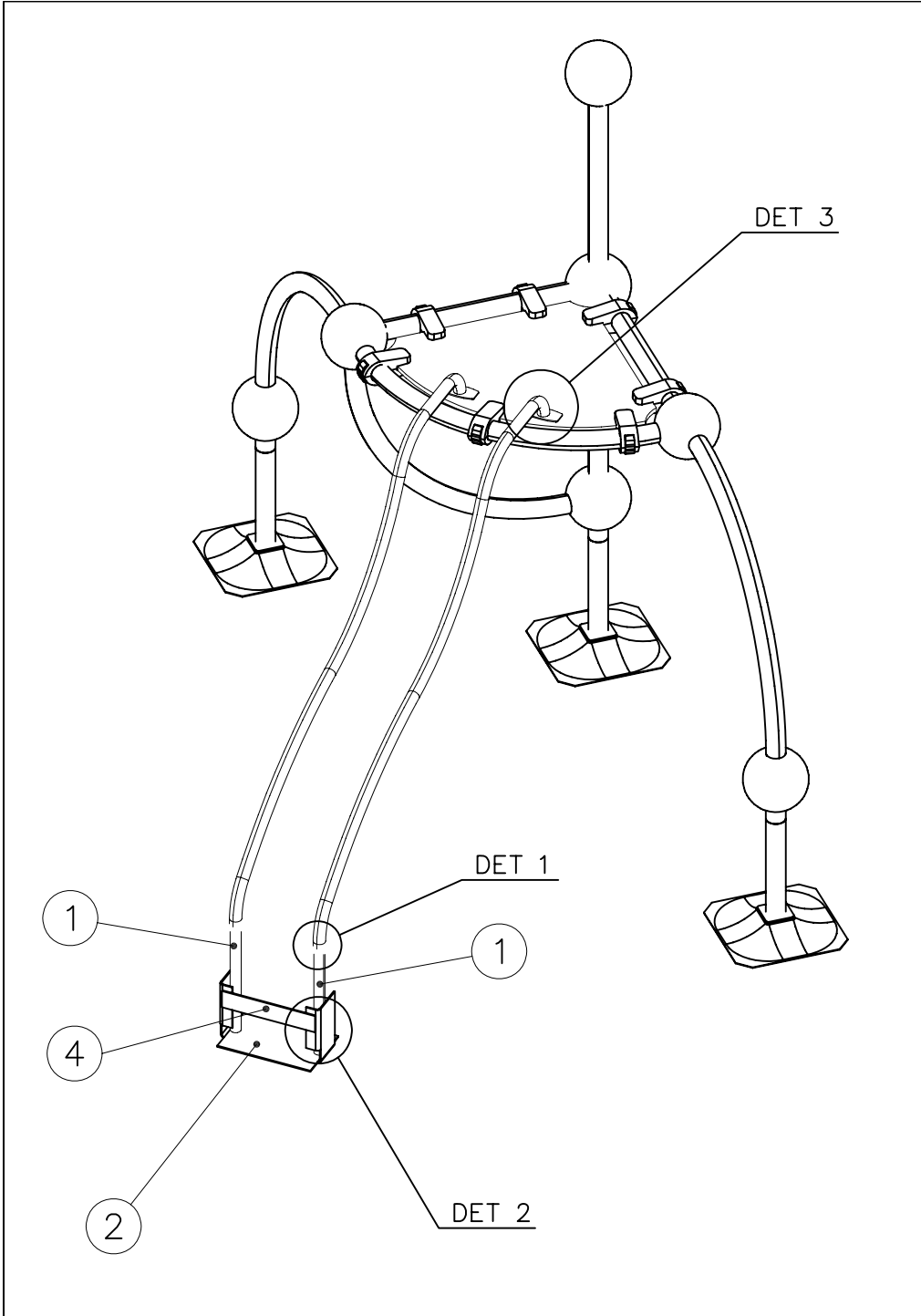
NOTE:  
 Use a wire marked pairs  
 of the same junction.

Huom!  
 Käytä langalla merkittyä  
 paria samassa liitoksessa.



① 702157	PCS	② 902195	PCS
	1		8
		150*50*50	
③ 902232	PCS	④ 902233	PCS
	4		4
M10x55		M10x30	
⑤ 902273	PCS	⑥ 980161	PCS
	8		8
		M10	
	PCS		PCS
	PCS		PCS
	PCS		PCS





① 902377	PCS	② 902379	PCS
	2		1
③ 902388	PCS	④ 902393	PCS
	4		1
Ø35xM8			
⑤ 909637	PCS	⑥ 909638	PCS
	4		8
M10		Ø20/10,5	
⑦ 909639	PCS	⑧ 900965	PCS
	4		4
M10x25		M10	
⑨ 909628	PCS	⑩ 902252	PCS
	4		4
Ø20/10.5		M10x35	
	PCS		PCS

