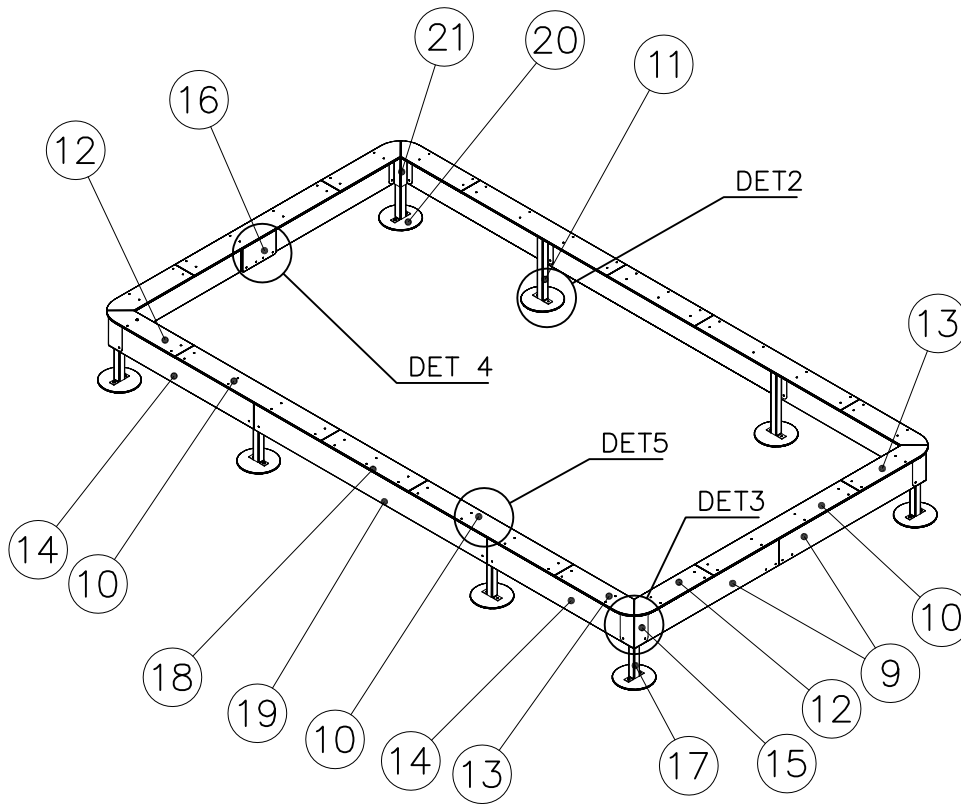
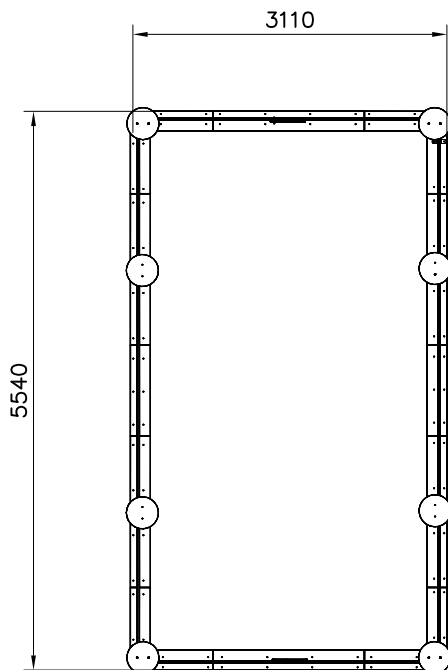
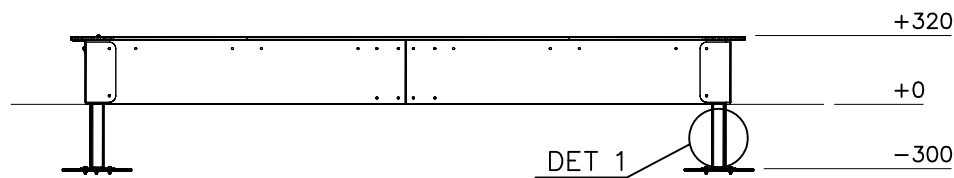


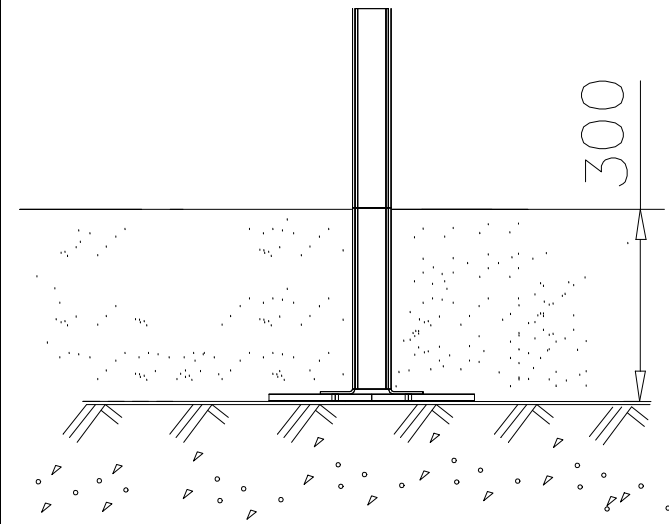
Max Falling Height 320 mm



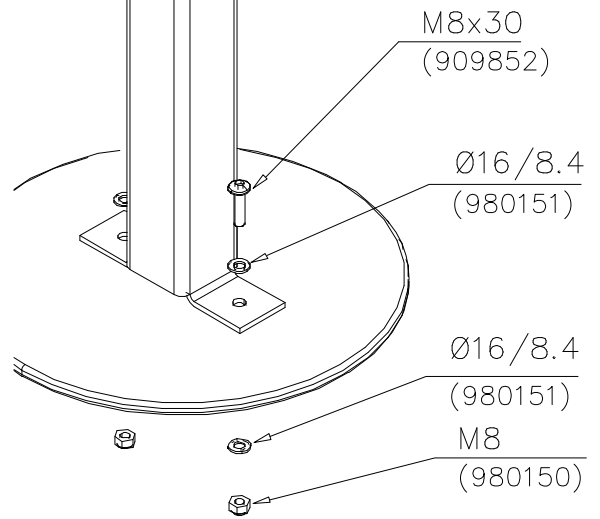
① 900498	PCS	② 905071	PCS
	16		92
M8x50		113x40x4	
③ 909633	PCS	④ 909852	PCS
	184		108
M8		M8x30	
⑤ 909855	PCS	⑥ 909873	PCS
	32		46
M8x35		M8x40	
⑦ 980150	PCS	⑧ 980151	PCS
	16		404
M8		Ø16/8.4	
⑨ P01263	PCS	⑩ P01264	PCS
	4		6
⑪ P02209	PCS	⑫ P01265	PCS
	4		4
⑬ P01266	PCS	⑭ P02210	PCS
	4		4
⑮ P02140	PCS	⑯ P02217	PCS
	4		2
⑰ P01267	PCS	⑱ P02208	PCS
	2		2
⑲ P01269	PCS	⑳ P01270	PCS
	4		8
㉑ P02139	PCS		
	4		



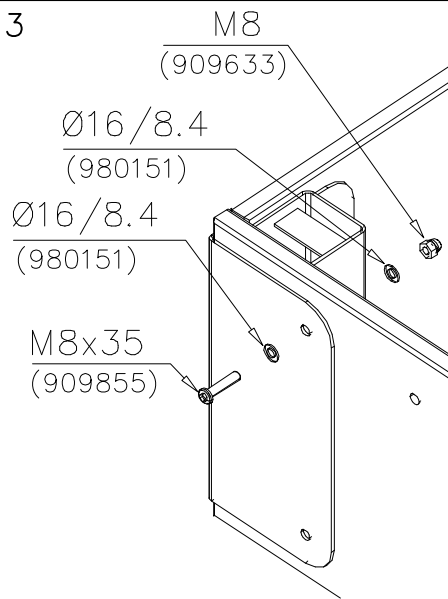
DET 1



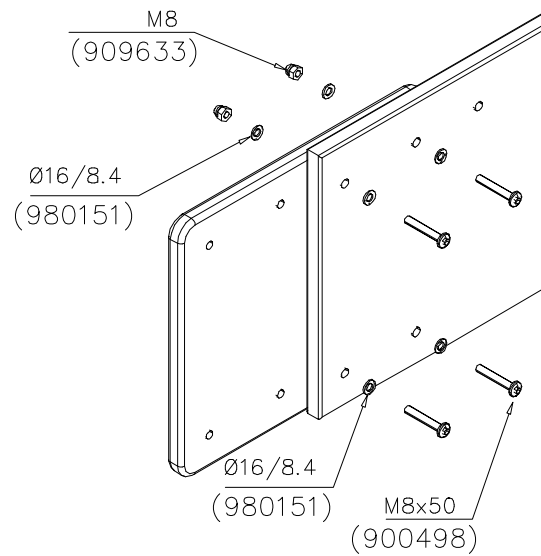
DET 2



DET 3



DET 4



DET 5

