



DO NOT TIGHTEN THE JOINTS UNTIL THE STRUCTURE IS COMPLETE.

| | | | |
|---|-----|---|-----|
| ① 901803 | PCS | ② 901994 | PCS |
|  | 2 |  | 2 |
| M12x90 | | Ø190 | |
| ③ 902096 | PCS | ④ 902234 | PCS |
|  | 4 |  | 6 |
| M12x120 | | M12 | |
| | PCS | | PCS |
| | | | |
| | PCS | | PCS |
| | | | |
| | PCS | | PCS |
| | | | |
| | PCS | | PCS |
| | | | |
| | PCS | | PCS |
| | | | |
| | PCS | | PCS |
| | | | |

DET 1



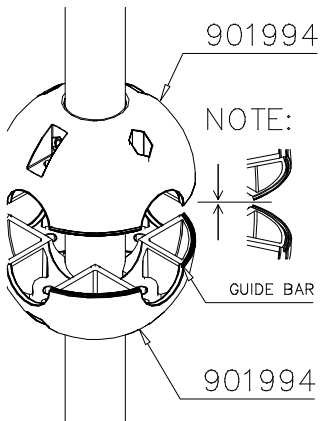
DET 2



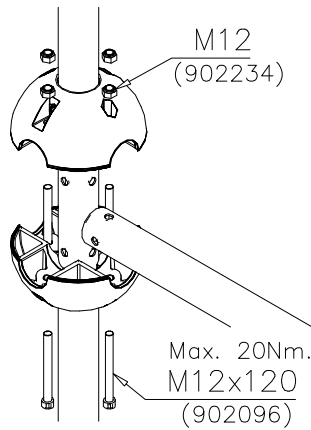
DET 3



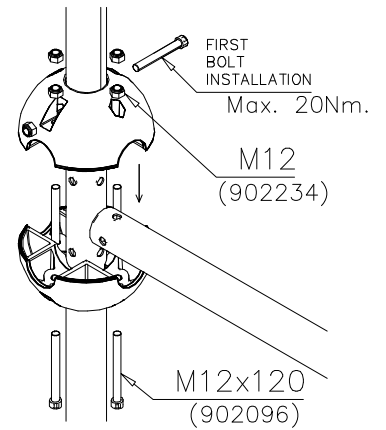
DET 4



DET 5

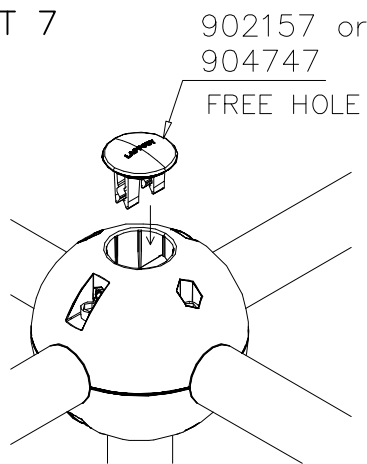


DET 6



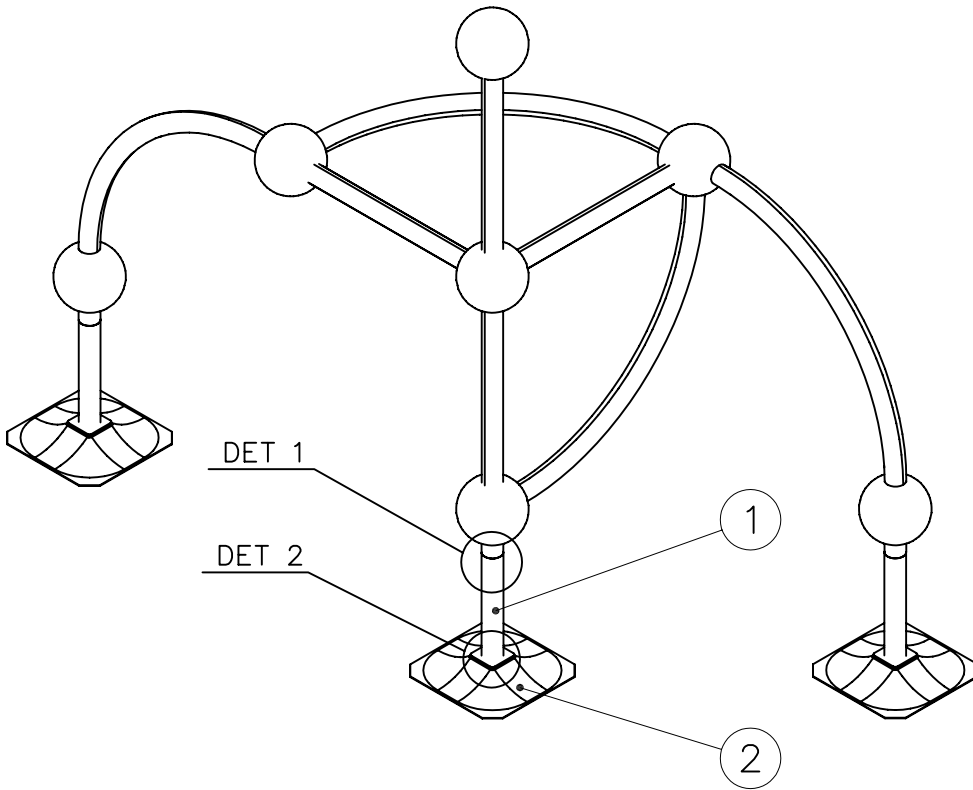
REMEMBER
FINAL
TIGHTENING


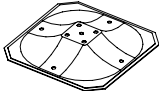


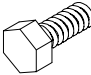
DET 7



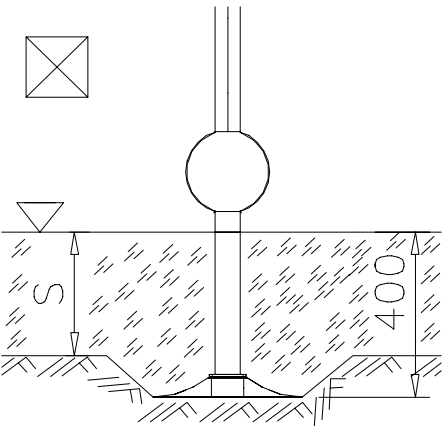
DET 8



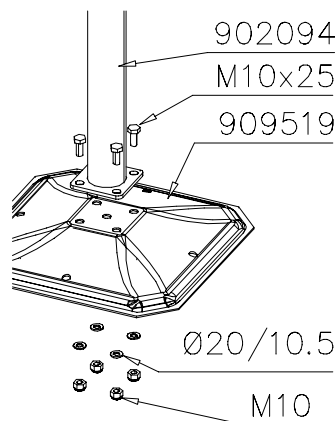


| | | | |
|---|-----|---|-----|
| ① 902094 | PCS | ② 909519 | PCS |
|  | 1 |  | 1 |
| Ø60x450 | | 50x380x380 | |
| ③ 909637 | PCS | ④ 909638 | PCS |
|  | 4 |  | 4 |
| M10 | | Ø20/10,5 | |
| ⑤ 909639 | PCS | | PCS |
|  | 4 | | |
| M10x25 | | | |
| | PCS | | PCS |
| | | | |
| | PCS | | PCS |
| | | | |
| | PCS | | PCS |
| | | | |

DET 1



DET 2

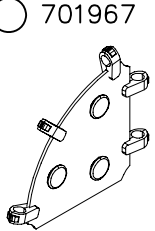
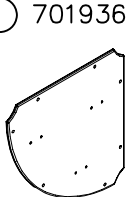
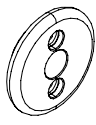
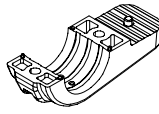
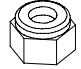
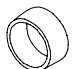
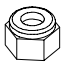

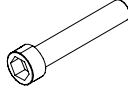
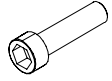
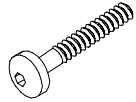
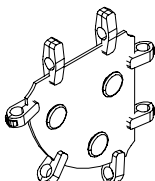
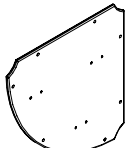

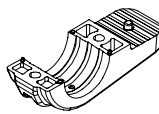
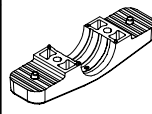
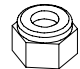



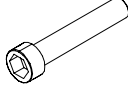
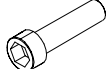
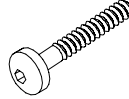
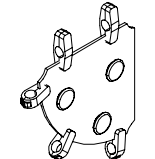
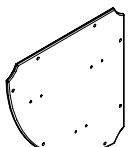

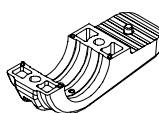
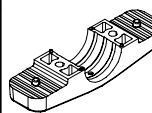
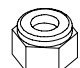

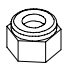

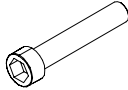
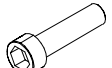
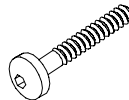


LAPPSET® WALL AND FLOOR

CLOXX

DATE: 3.8.2010

1(3)

| | | | | | | | | | | | | |
|--|---|---------------------|--|---------------------|--|----------------------|---|----------------------|--|----------------------|--|---------------------|
|  <p>701967</p> |  <p>701936</p> <p>668x668x15</p> | <p>PCS</p> <p>1</p> |  <p>929322</p> <p>Ø120x30</p> | <p>PCS</p> <p>3</p> |  <p>902124</p> <p>150x50x50</p> | <p>PCS</p> <p>10</p> |  <p>980161</p> <p>M10</p> | <p>PCS</p> <p>10</p> |  <p>905112</p> <p>Ø22</p> | <p>PCS</p> <p>6</p> |  <p>980150</p> <p>M8</p> | <p>PCS</p> <p>6</p> |
| |  <p>909256</p> <p>Ø16/8.4x1.6</p> | <p>PCS</p> <p>6</p> |  <p>902232</p> <p>M10x55</p> | <p>PCS</p> <p>5</p> |  <p>902233</p> <p>M10x30</p> | <p>PCS</p> <p>5</p> |  <p>901899</p> <p>M8x45</p> | <p>PCS</p> <p>6</p> | | <p>PCS</p> | | <p>PCS</p> |
| | | <p>PCS</p> | | <p>PCS</p> | | <p>PCS</p> | | <p>PCS</p> | | <p>PCS</p> | | <p>PCS</p> |
|  <p>701987</p> |  <p>701936</p> <p>668x668x15</p> | <p>PCS</p> <p>1</p> |  <p>929322</p> <p>Ø120x30</p> | <p>PCS</p> <p>3</p> |  <p>902124</p> <p>150x50x50</p> | <p>PCS</p> <p>10</p> |  <p>902197</p> <p>200x50x50</p> | <p>PCS</p> <p>4</p> |  <p>980161</p> <p>M10</p> | <p>PCS</p> <p>14</p> |  <p>905112</p> <p>Ø22</p> | <p>PCS</p> <p>6</p> |
| |  <p>980160</p> <p>M8</p> | <p>PCS</p> <p>6</p> |  <p>909256</p> <p>Ø16/8.4x1.6</p> | <p>PCS</p> <p>6</p> |  <p>902232</p> <p>M10x55</p> | <p>PCS</p> <p>9</p> |  <p>902233</p> <p>M10x30</p> | <p>PCS</p> <p>5</p> |  <p>901899</p> <p>M8x45</p> | <p>PCS</p> <p>6</p> | | <p>PCS</p> |
| | | <p>PCS</p> | | <p>PCS</p> | | <p>PCS</p> | | <p>PCS</p> | | <p>PCS</p> | | <p>PCS</p> |
|  <p>702046</p> |  <p>701936</p> <p>668x668x15</p> | <p>PCS</p> <p>1</p> |  <p>929322</p> <p>Ø120x30</p> | <p>PCS</p> <p>3</p> |  <p>902124</p> <p>150x50x50</p> | <p>PCS</p> <p>10</p> |  <p>902197</p> <p>200x50x50</p> | <p>PCS</p> <p>4</p> |  <p>980161</p> <p>M10</p> | <p>PCS</p> <p>10</p> |  <p>905112</p> <p>Ø22</p> | <p>PCS</p> <p>6</p> |
| |  <p>980150</p> <p>M8</p> | <p>PCS</p> <p>6</p> |  <p>909256</p> <p>Ø16/8.4x1.6</p> | <p>PCS</p> <p>6</p> |  <p>902232</p> <p>M10x55</p> | <p>PCS</p> <p>7</p> |  <p>902233</p> <p>M10x30</p> | <p>PCS</p> <p>3</p> |  <p>901899</p> <p>M8x45</p> | <p>PCS</p> <p>6</p> | | <p>PCS</p> |
| | | <p>PCS</p> | | <p>PCS</p> | | <p>PCS</p> | | <p>PCS</p> | | <p>PCS</p> | | <p>PCS</p> |

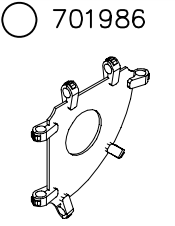
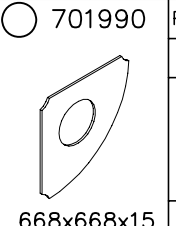
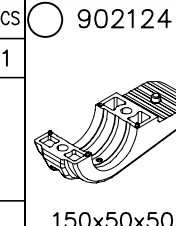
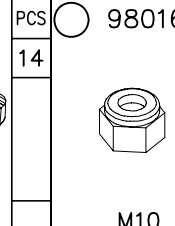
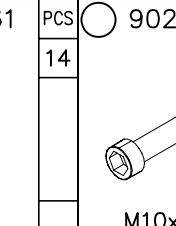
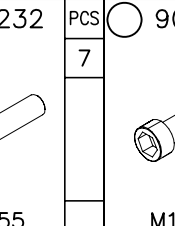
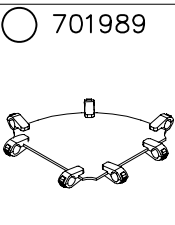
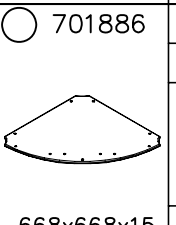
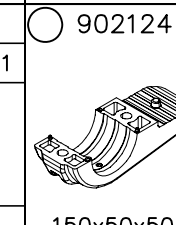
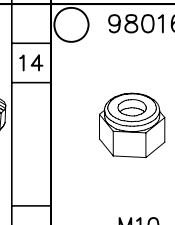
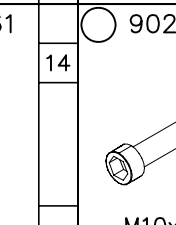
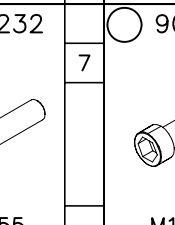
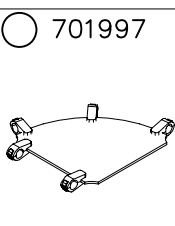
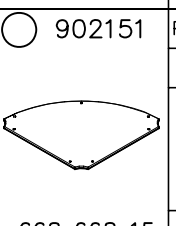
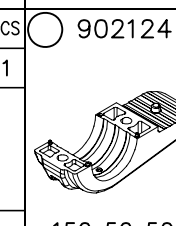
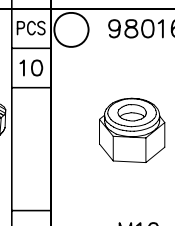
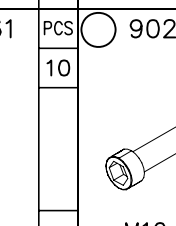
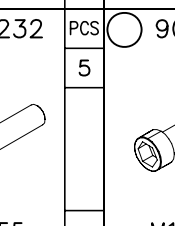
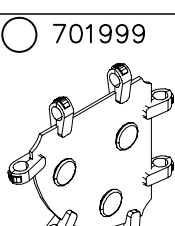
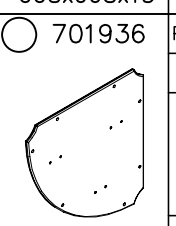
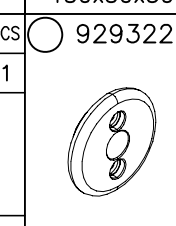
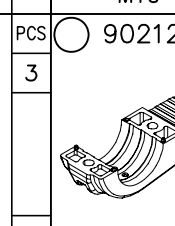
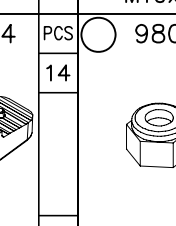
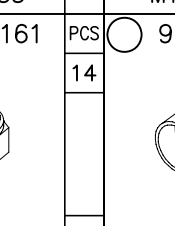
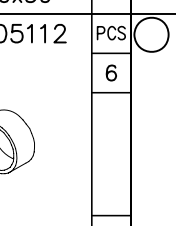
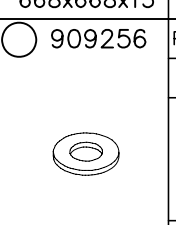
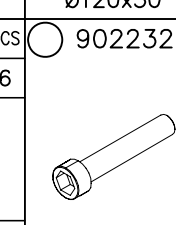
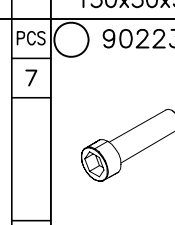
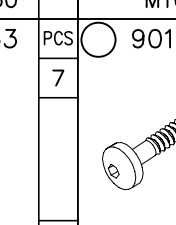
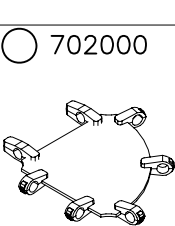
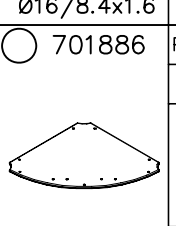
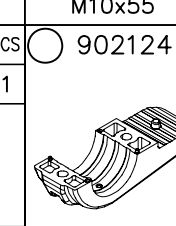
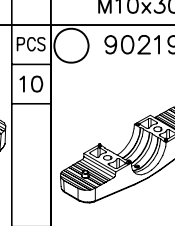
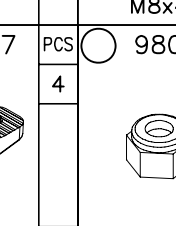
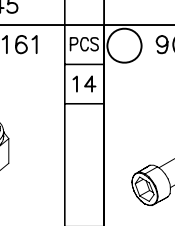
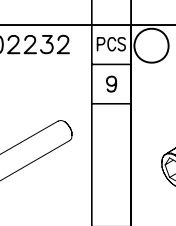
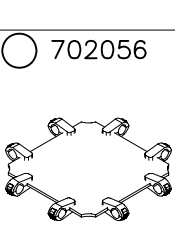
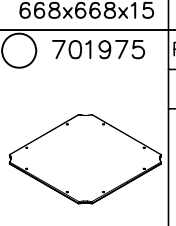
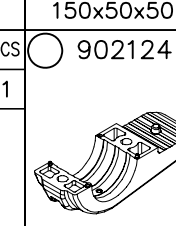
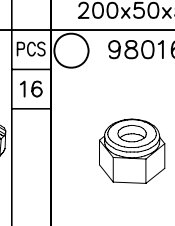
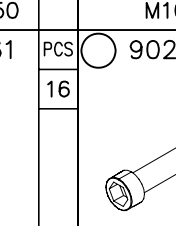
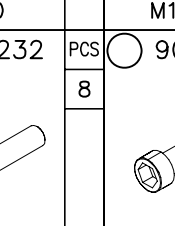
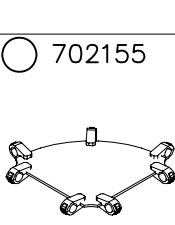
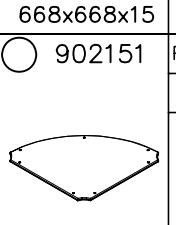
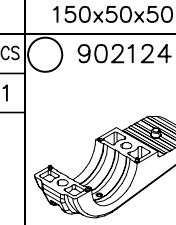
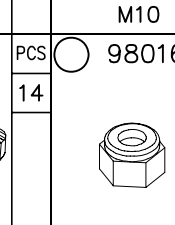
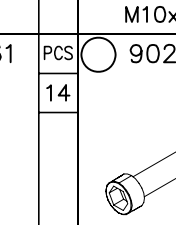
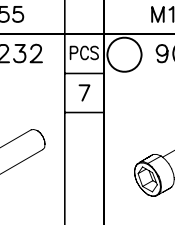
LAPPSET®

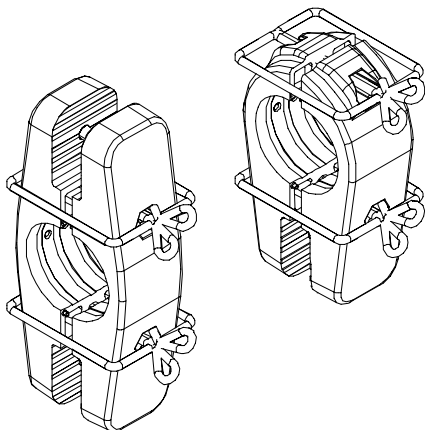
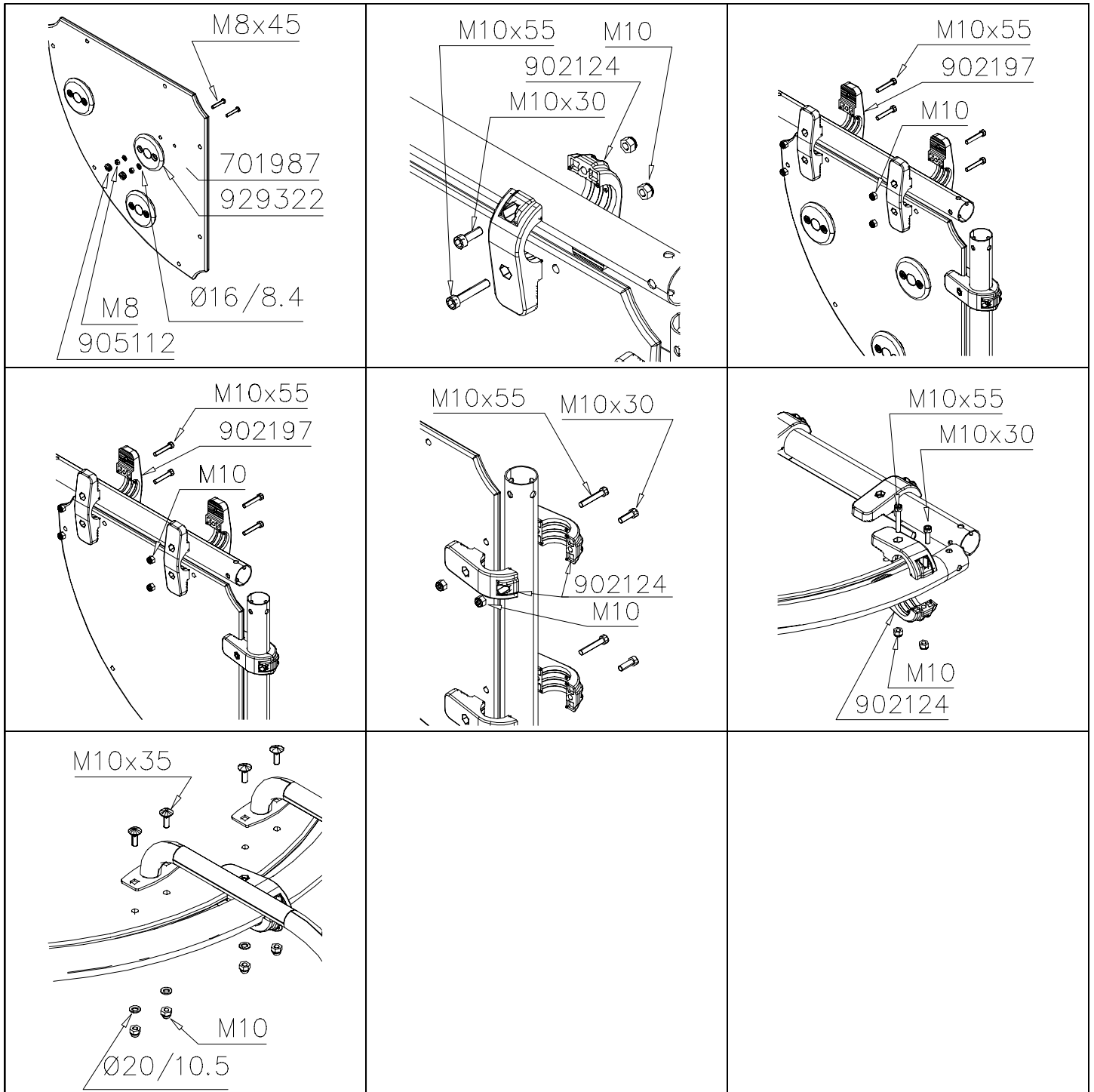
WALL AND FLOOR

CLOXX

DATE: 3.8.2010

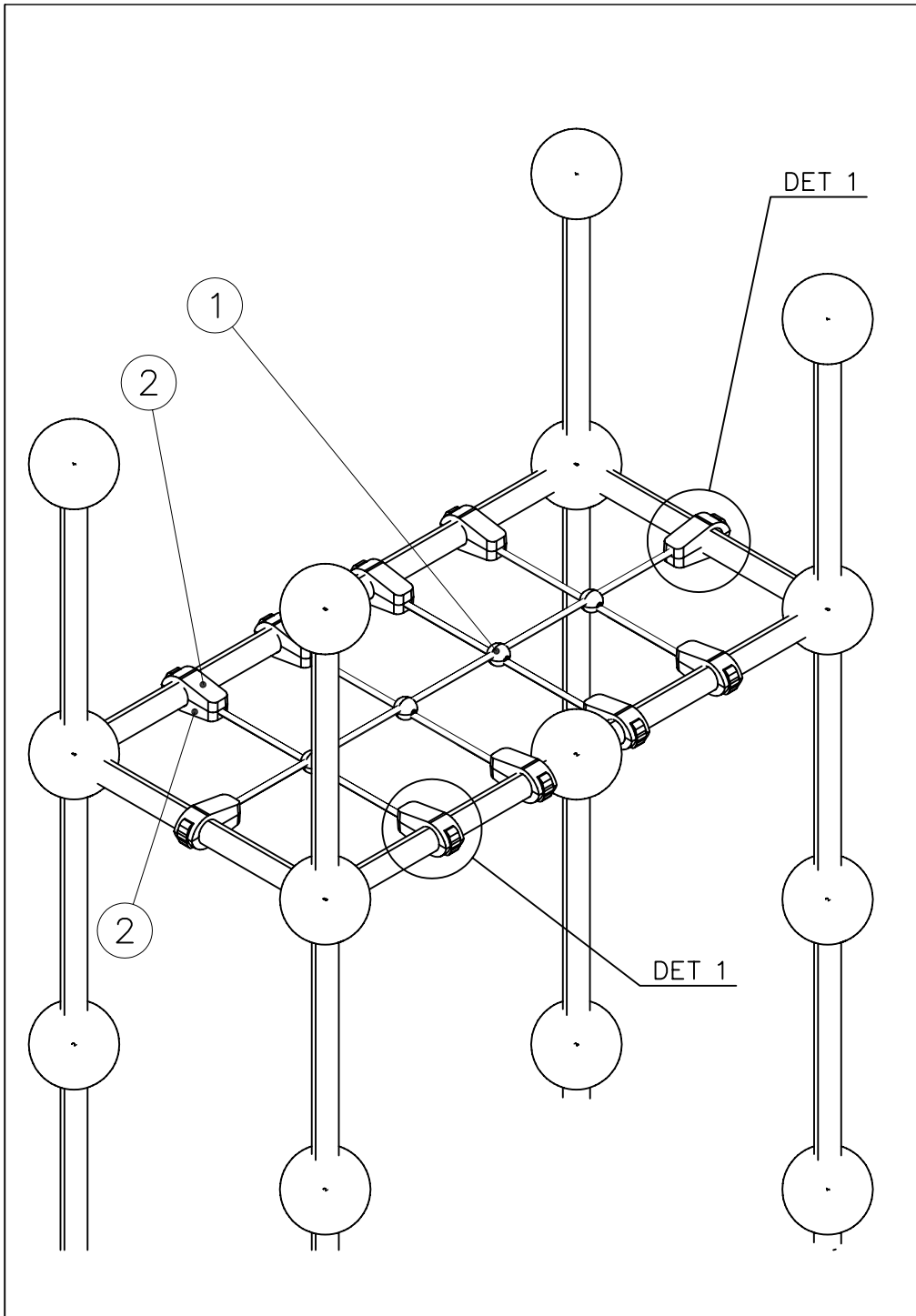
2(3)

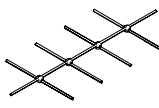
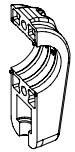
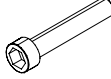
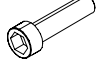
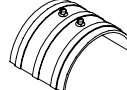

| | | | | | | | | | | | | |
|--|--|----------|--|-----------|--|-----------|---|-----------|--|----------|---|----------|
|  701986 |  668x668x15 | PCS 1 |  150x50x50 | PCS 14 |  M10 | PCS 14 |  M10x55 | PCS 7 |  M10x30 | PCS 7 | | PCS |
|  701989 |  668x668x15 | PCS 1 |  150x50x50 | PCS 14 |  M10 | PCS 14 |  M10x55 | PCS 7 |  M10x30 | PCS 7 | | PCS |
|  701997 |  668x668x15 | PCS 1 |  150x50x50 | PCS 10 |  M10 | PCS 10 |  M10x55 | PCS 5 |  M10x30 | PCS 5 | | PCS |
|  701999 |  668x668x15 | PCS 1 |  Ø120x30 | PCS 3 |  150x50x50 | PCS 14 |  M10 | PCS 14 |  Ø22 | PCS 6 |  M8 | PCS 6 |
| |  Ø16/8.4x1.6 | PCS 6 |  M10x55 | PCS 7 |  M10x30 | PCS 7 |  M8x45 | PCS 6 | | PCS | | PCS |
|  702000 |  668x668x15 | PCS 1 |  150x50x50 | PCS 10 |  200x50x50 | PCS 4 |  M10 | PCS 14 |  M10x55 | PCS 9 |  M10x30 | PCS 5 |
|  702056 |  668x668x15 | PCS 1 |  150x50x50 | PCS 16 |  M10 | PCS 16 |  M10x55 | PCS 8 |  M10x30 | PCS 8 | | PCS |
|  702155 |  668x668x15 | PCS 1 |  150x50x50 | PCS 14 |  M10 | PCS 14 |  M10x55 | PCS 7 |  M10x30 | PCS 7 | | PCS |

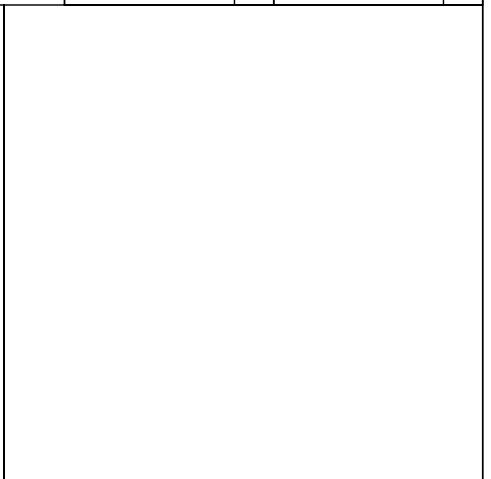
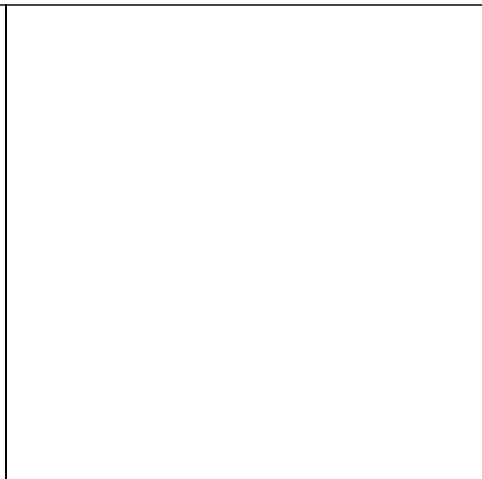
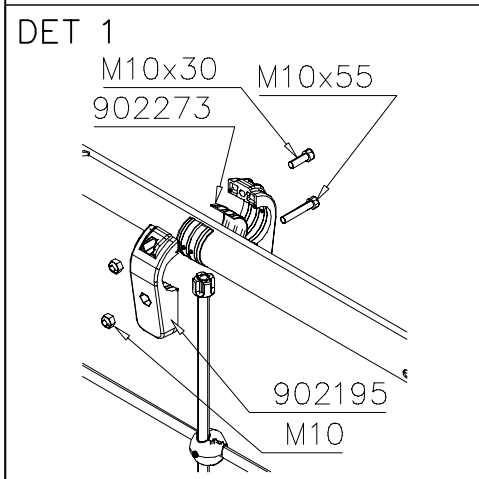


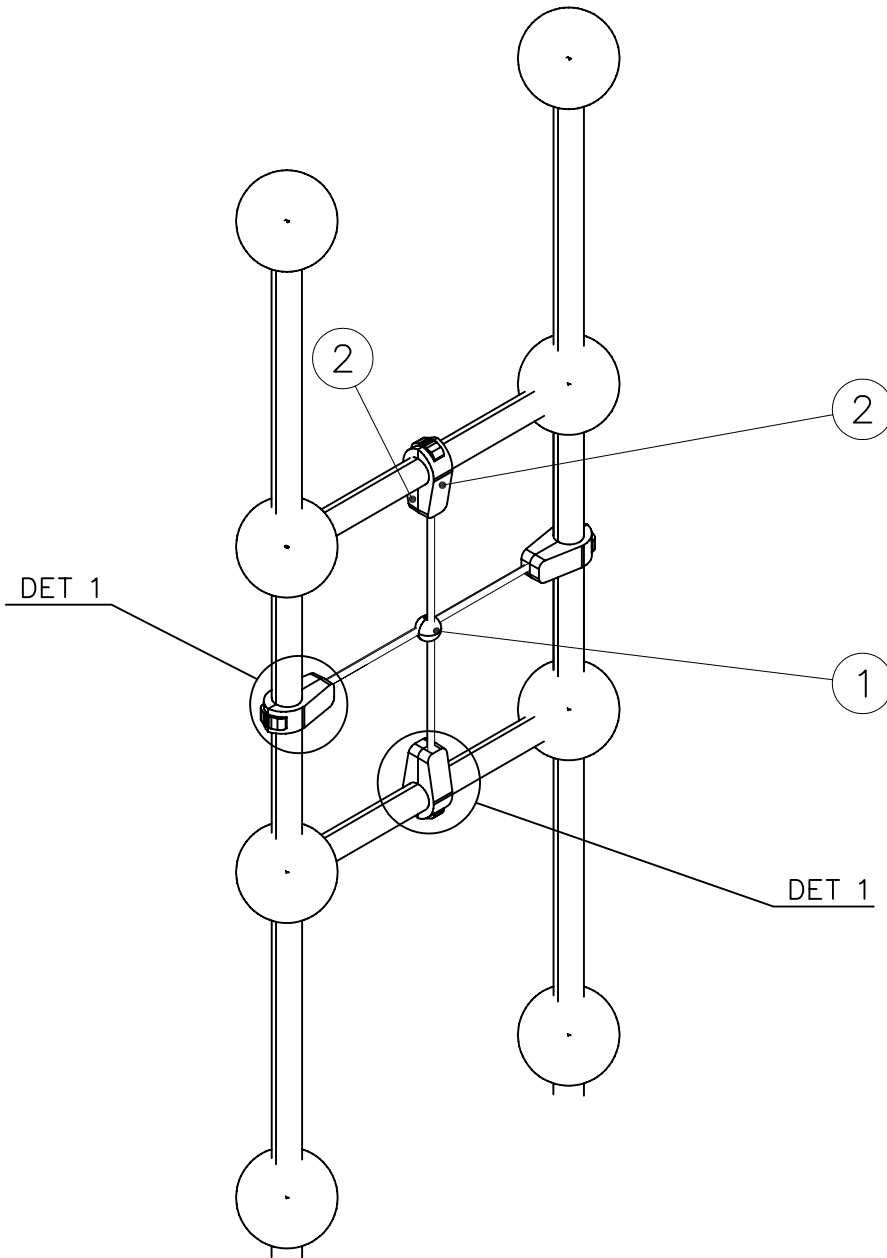
NOTE:
 Use a wire marked pairs
 of the same junction.

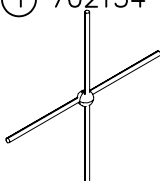

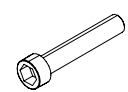
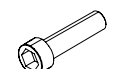
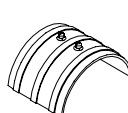

Huom!
 Käytä langalla merkittyä
 paria samassa liitoksessa.



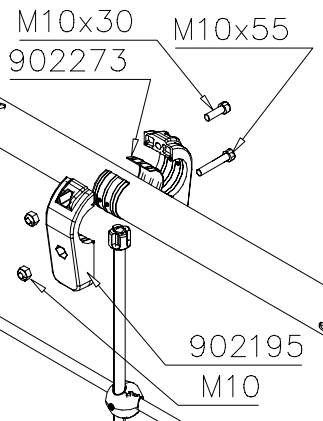
| | | | |
|---|-----|---|-----|
| ① 702009 | PCS | ② 902195 | PCS |
|  | 1 |  | 20 |
| | | 150*50*50 | |
| ③ 902232 | PCS | ④ 902233 | PCS |
|  | 10 |  | 10 |
| M10x55 | | M10x30 | |
| ⑤ 902273 | PCS | ⑥ 980161 | PCS |
|  | 20 |  | 20 |
| | | M10 | |
| | PCS | | PCS |
| | | | |
| | PCS | | PCS |
| | | | |
| | PCS | | PCS |
| | | | |

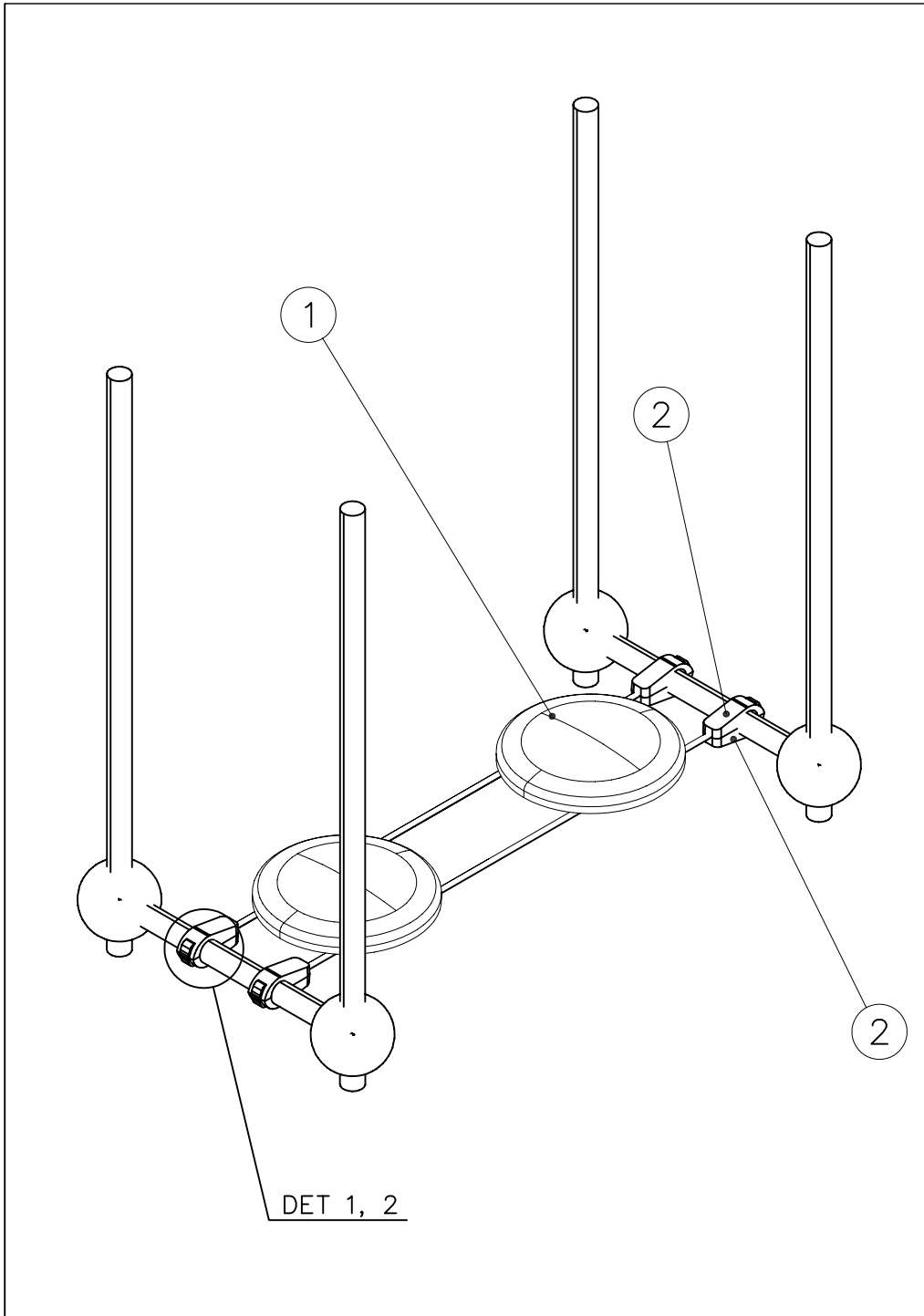


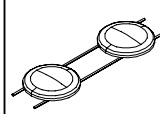
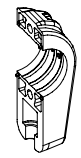
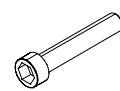
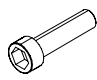
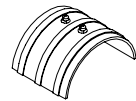
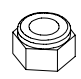


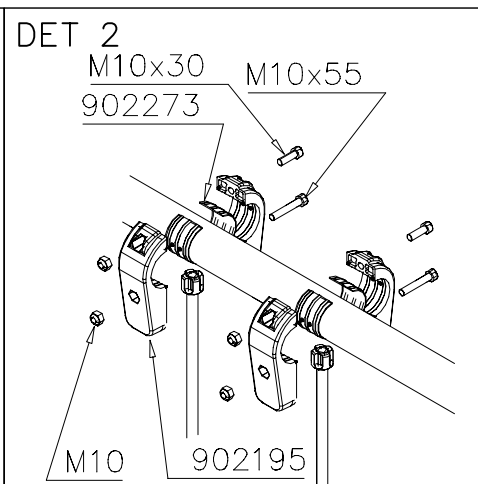
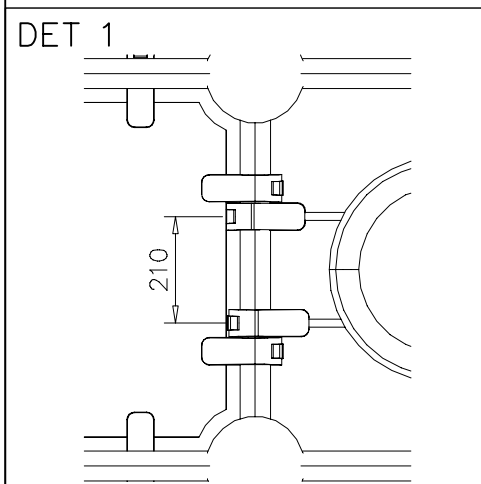
| | | | |
|---|-----|---|-----|
| ① 702154 | PCS | ② 902195 | PCS |
|  | 1 |  | 8 |
| | | 150*50*50 | |
| ③ 902232 | PCS | ④ 902233 | PCS |
|  | 4 |  | 4 |
| M10x55 | | M10x30 | |
| ⑤ 902273 | PCS | ⑥ 980161 | PCS |
|  | 8 |  | 8 |
| | | M10 | |
| | PCS | | PCS |
| | | | |
| | PCS | | PCS |
| | | | |
| | PCS | | PCS |
| | | | |

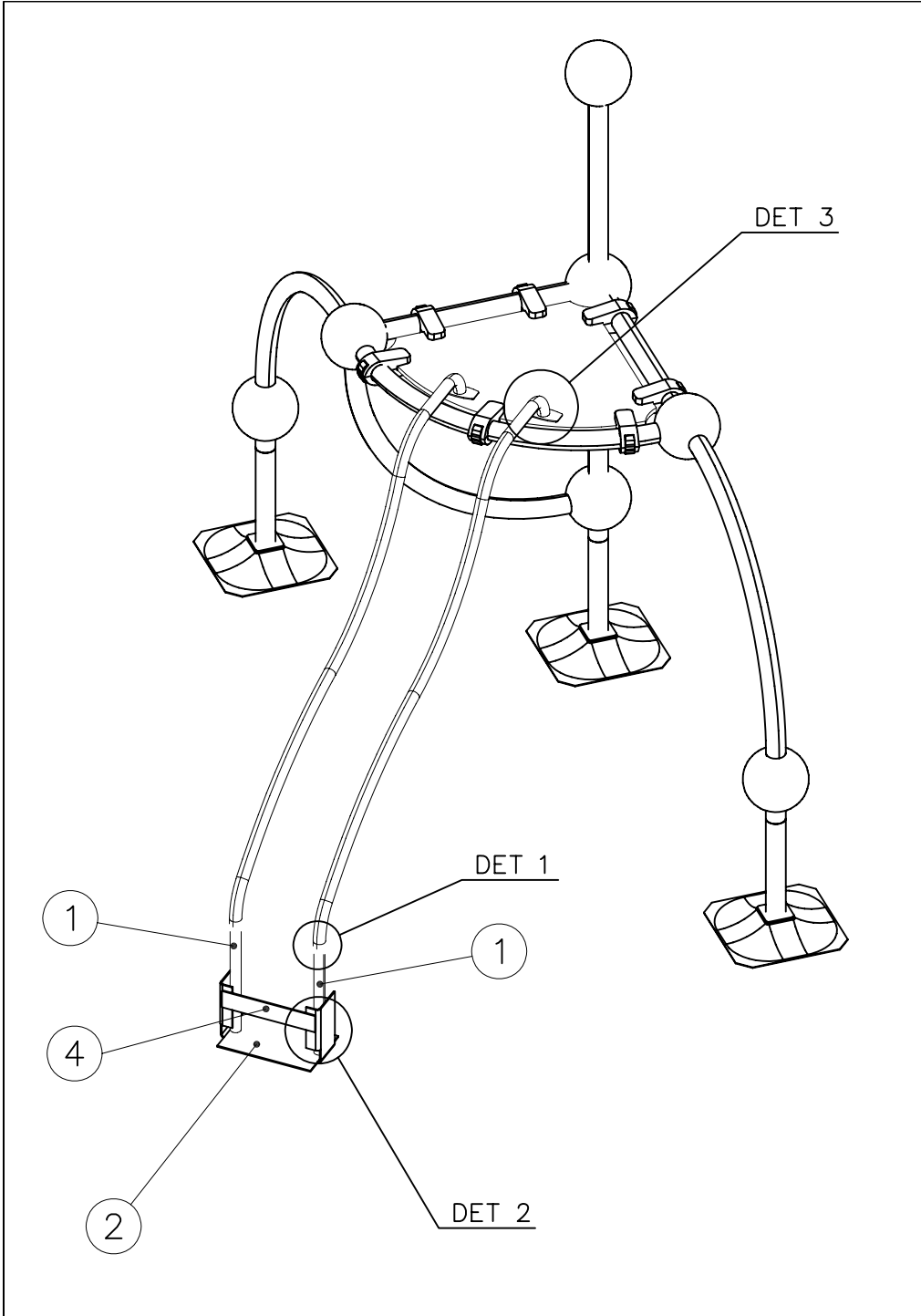
DET 1





| | | | |
|---|-----|---|-----|
| ① 702157 | PCS | ② 902195 | PCS |
|  | 1 |  | 8 |
| | | 150*50*50 | |
| ③ 902232 | PCS | ④ 902233 | PCS |
|  | 4 |  | 4 |
| M10x55 | | M10x30 | |
| ⑤ 902273 | PCS | ⑥ 980161 | PCS |
|  | 8 |  | 8 |
| | | M10 | |
| | PCS | | PCS |
| | | | |
| | PCS | | PCS |
| | | | |
| | PCS | | PCS |
| | | | |





| | | | |
|----------|-----|----------|-----|
| ① 902377 | PCS | ② 902379 | PCS |
| | 2 | | 1 |
| ③ 902388 | PCS | ④ 902393 | PCS |
| | 4 | | 1 |
| Ø35xM8 | | | |
| ⑤ 909637 | PCS | ⑥ 909638 | PCS |
| | 4 | | 8 |
| M10 | | Ø20/10,5 | |
| ⑦ 909639 | PCS | ⑧ 900965 | PCS |
| | 4 | | 4 |
| M10x25 | | M10 | |
| ⑨ 909628 | PCS | ⑩ 902252 | PCS |
| | 4 | | 4 |
| Ø20/10.5 | | M10x35 | |
| | PCS | | PCS |

