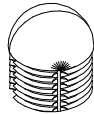



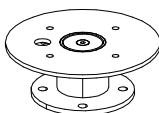

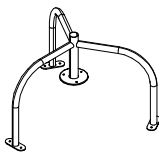
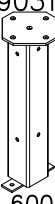
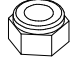

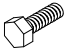
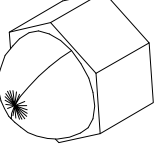



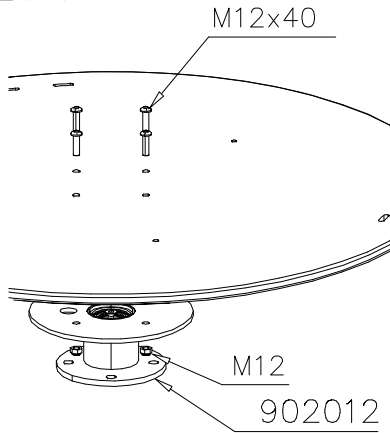
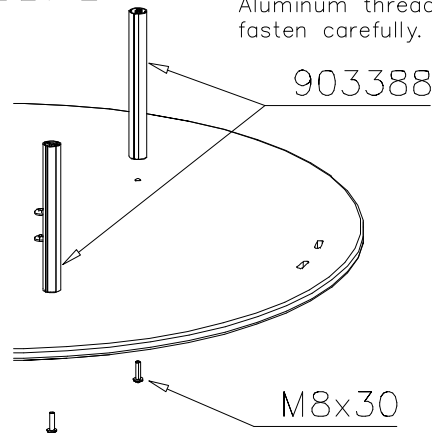


①	902624	PCS	②	903388	PCS
		1			3
	Ø60x69			Ø30x257	
③	702852	PCS	④	900367	PCS
		1			4
	Ø1200x20			M12x40	
⑤	902012	PCS	⑥	902234	PCS
		1			4
	300x110			M12	
⑦	902623	PCS	⑧	903107	PCS
		1			1
	898x1028x602			600	
⑨	909248	PCS	⑩	909256	PCS
		4			15
	M12			Ø16/8.4x1.6	
⑪	909347	PCS	⑫	909633	PCS
		4			9
	M12x35			M8	
⑬	909852	PCS	⑭	980154	PCS
		15			8
	M8x30			Ø24/13	
⑮	P01727	PCS			PCS
		1			
	850x776x15				

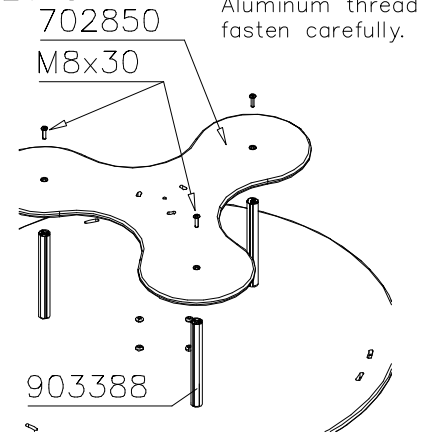
DET 1



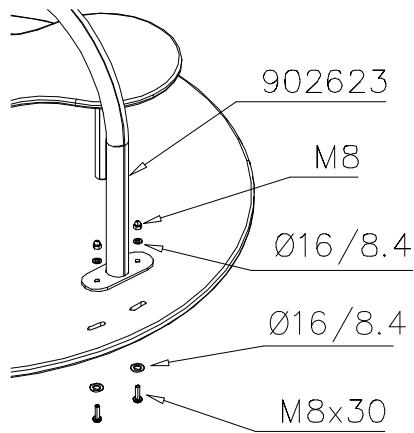
DET 2



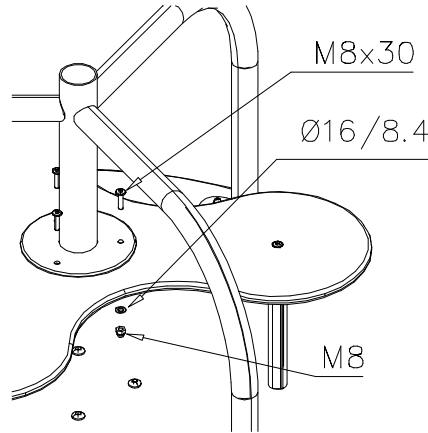
DET 3



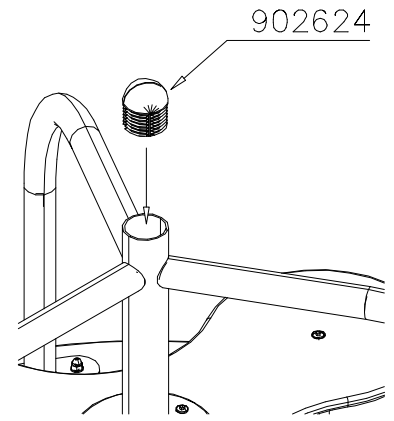
DET 4



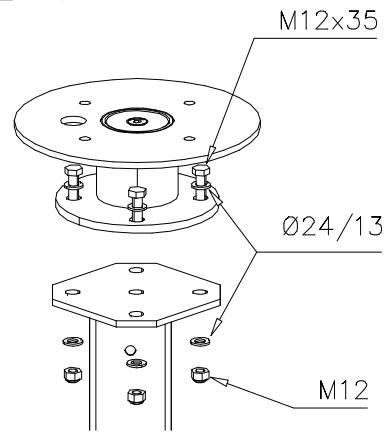
DET 5



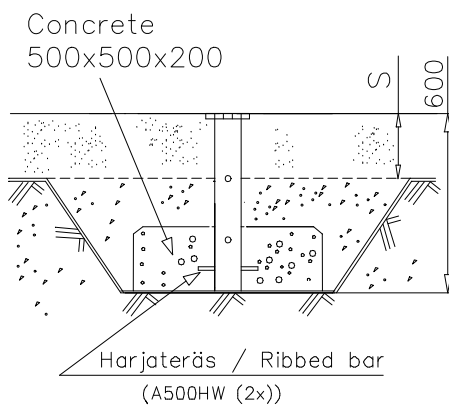
DET 6



DET 7



DET 8



- EN Impact Area 21.2 m²
- - - - Falling Space 21.2 m²
- Max Falling Height 1000 mm

