

CAROUSEL®

ASENNUSOHJE
MONTERINGSANSVISNING
INSTALLATION INSTRUCTION
AUFBAUANLEITUNG
NOTICE D'INSTALLATION

DATE: 20.2.2017

CA1105

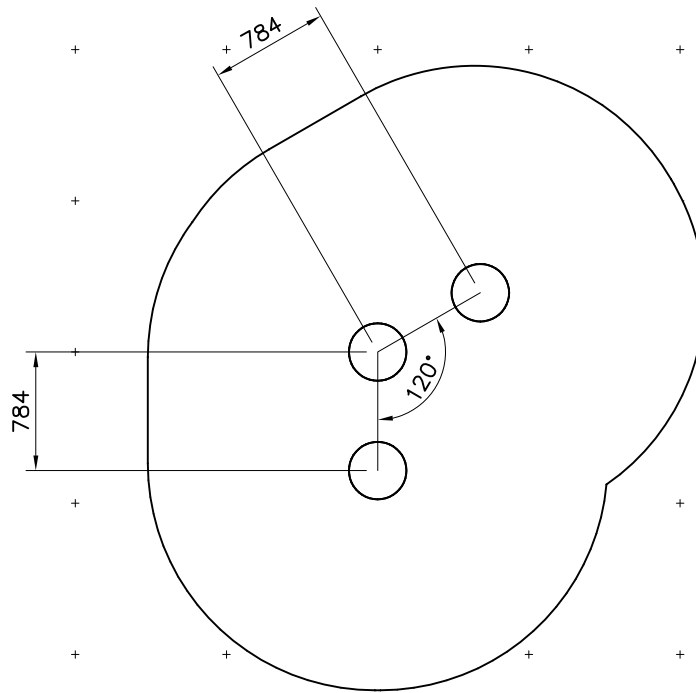
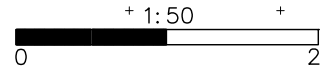


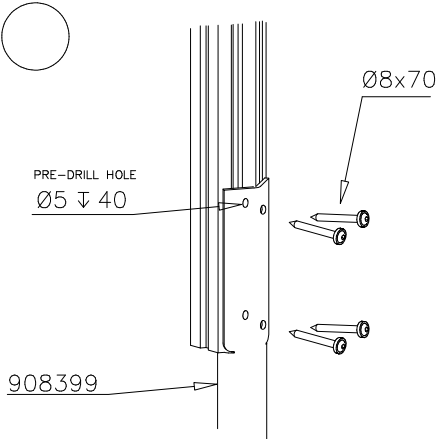
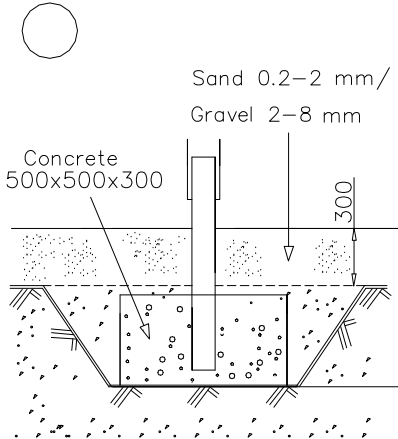
EN/AS Impact Area 13 m²

Falling Space 13 m²

Max Falling Height 2200 mm

Grid size = 1000 mm

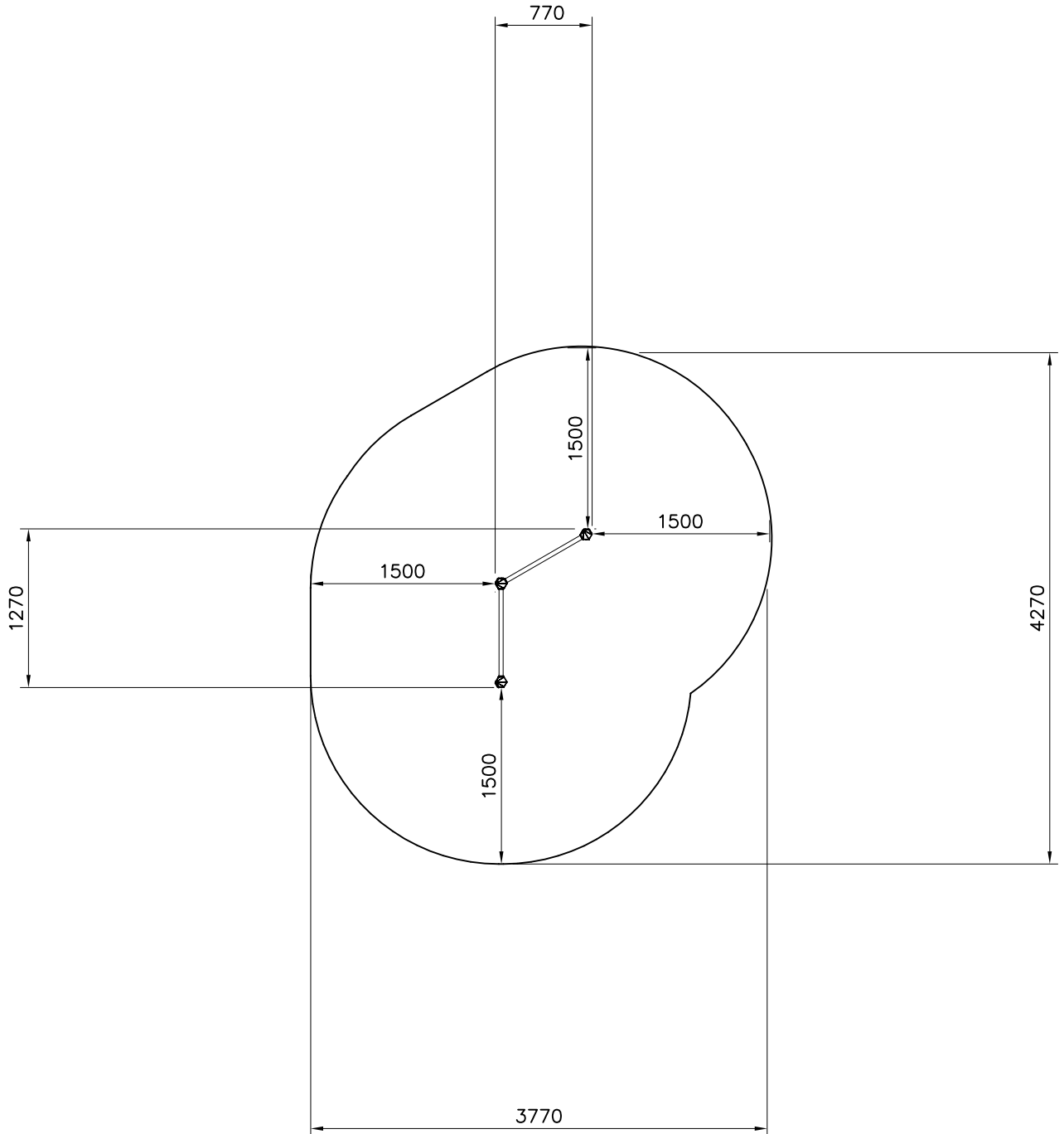
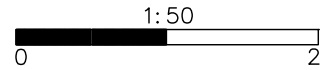


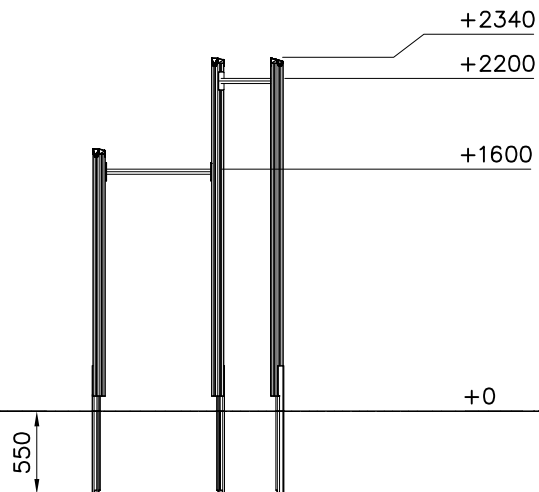
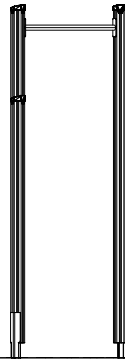
 <p>PRE-DRILL HOLE Ø5 ↓ 40</p> <p>Ø8x70</p> <p>908399</p>	 <p>Sand 0.2-2 mm/ Gravel 2-8 mm</p> <p>Concrete 500x500x300</p> <p>300</p>	

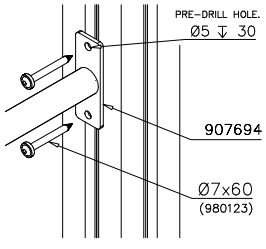
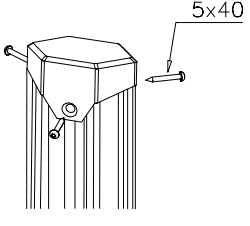
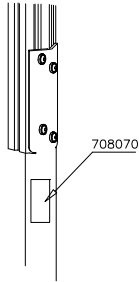
EN/AS Impact Area 13 m²

Falling Space 13 m²

Max Falling Height 2200 mm





DET 1	DET 2	DET 3	
 <p>PRE-DRILL HOLE. Ø5 30</p> <p>907694</p> <p>Ø7x60 (980123)</p>	 <p>5x40</p>	 <p>Ø6</p> <p>708070</p>	

