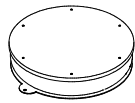



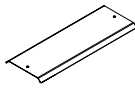

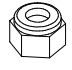
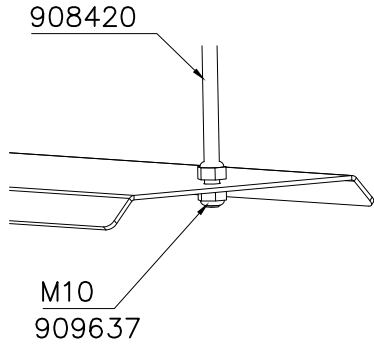
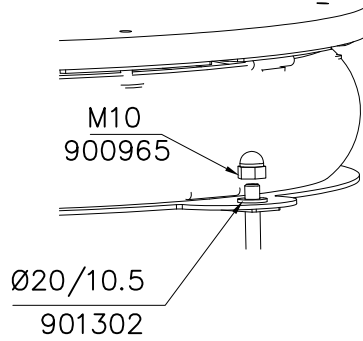


① 707851-3	PCS	② 900965	PCS
	1		2
RED		M10	
③ 901302	PCS	④ 908417	PCS
	2		1
Ø20/10.5		3x25x620	
⑤ 908418	PCS	⑥ 908420	PCS
	1		2
3x255x650		M10x500	
⑦ 909637	PCS		PCS
	4		
M10			
	PCS		PCS
	PCS		PCS
	PCS		PCS
	PCS		PCS

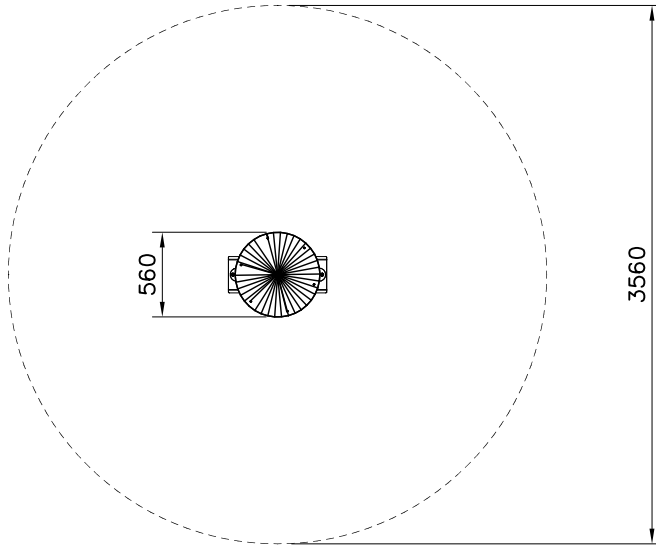
DET 1



DET 2



----- Falling Space 10 m<sup>2</sup>  
 Max Falling Height 600 mm



Sand 0.2–2 mm/  
 Gravel 2–8 mm

