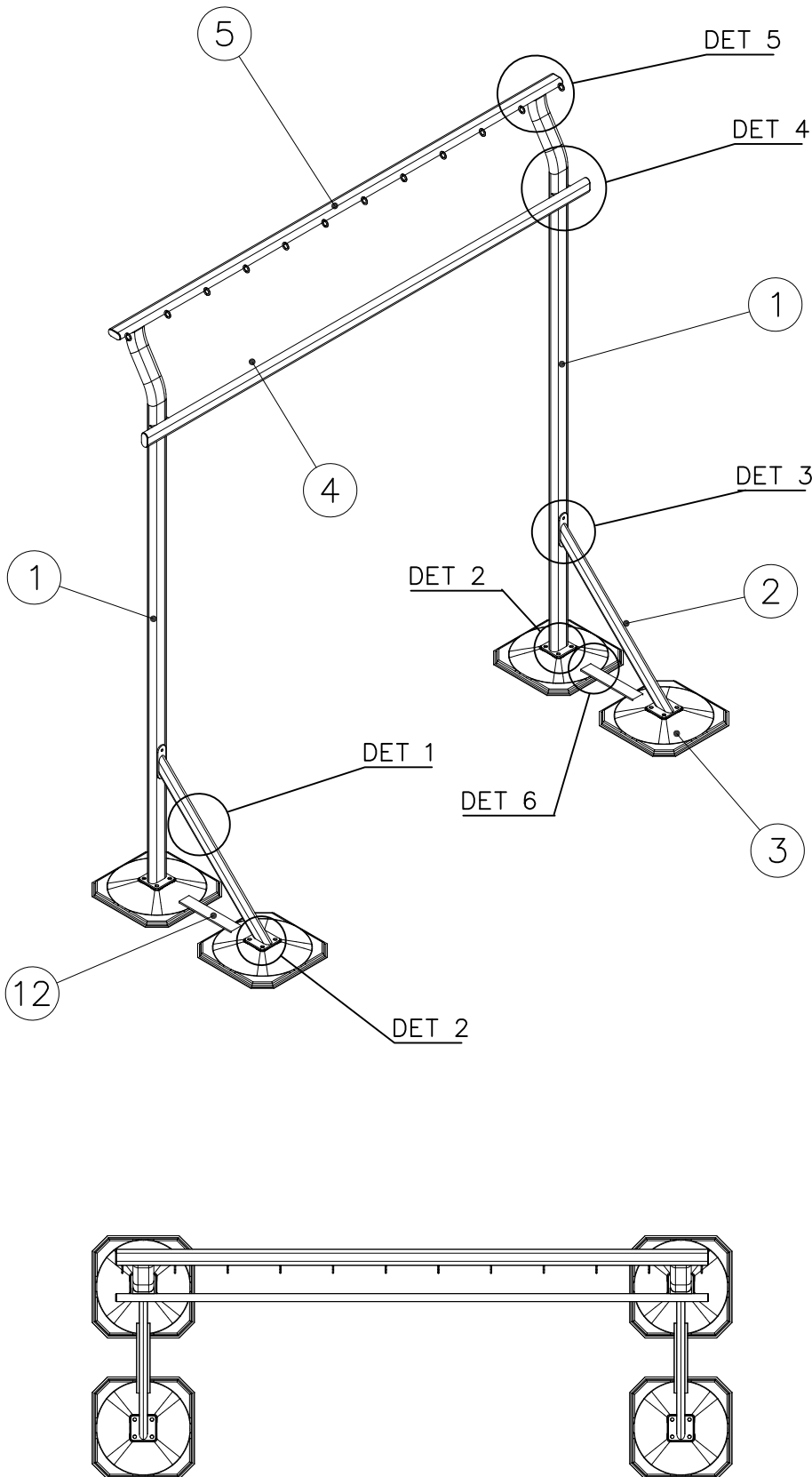



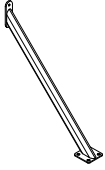
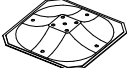

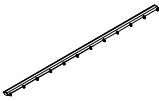
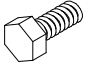

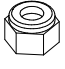
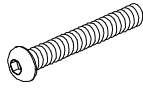
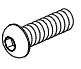

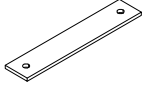
LAPPSET® PROMENADE

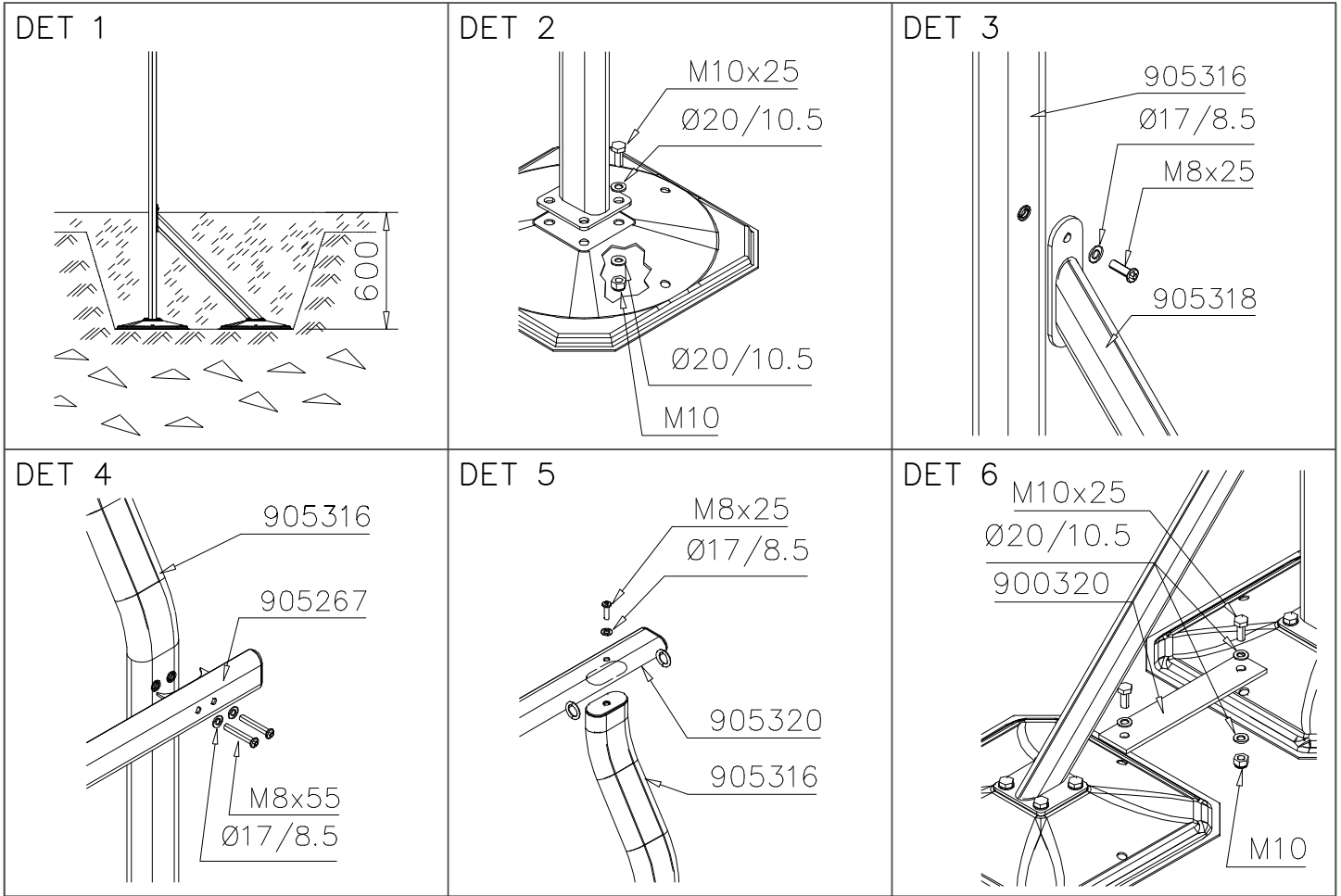
060122

DATE: 10.1.2022

1(2)



① 905316	PCS	② 905318	PCS
	2		2
③ 909519	PCS	④ 905267	PCS
	4		1
380x380		2206x60x30	
⑤ 905320	PCS	⑥ 909639	PCS
	1		20
2206x60x30		M10x25	
⑦ 909638	PCS	⑧ 909637	PCS
	40		20
∅20/10,5		M10	
⑨ 909851	PCS	⑩ 909850	PCS
	4		4
M8x55		M8x25	
⑪ 909256	PCS	⑫ 900320	PCS
	8		2
∅17/8.5 A2		L 260	
	PCS		PCS
	PCS		PCS



Huom!
Asennuksessa
ennakoidaan
köysien vetovoima
asentamalla
tolpat max 1.5°
taaksepäin
kallistettuna.

Att!
The traction of
the ropes is
anticipated during
installation by
installing the
poles tilted
backwards by a
maximum of 1.5 °.

