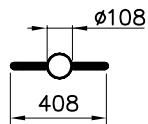
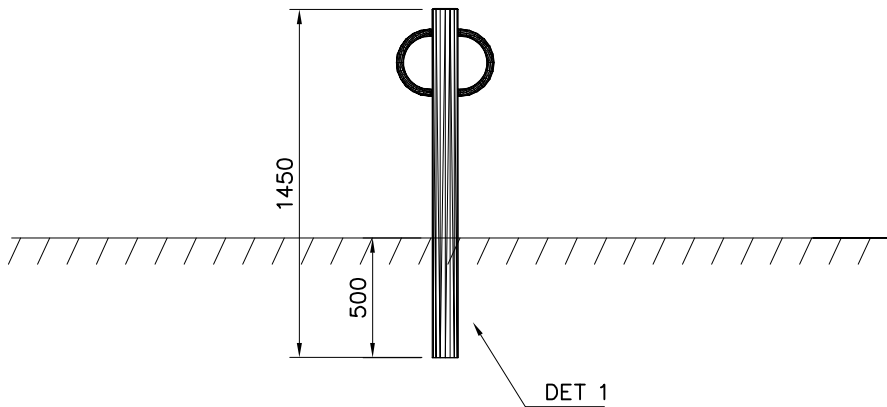
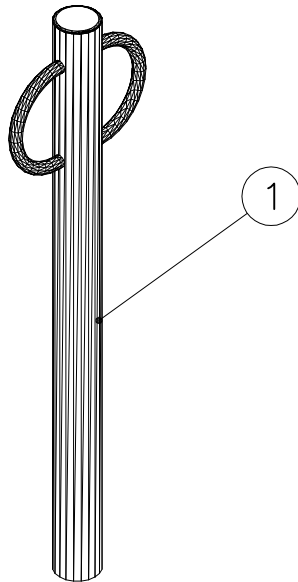
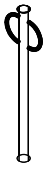


LAPPSET® NF8200

DATUM: 8.11.2012



① NF8200	ST		ST
	1		
	ST		ST
	ST		ST
	ST		ST
	ST		ST
	ST		ST

