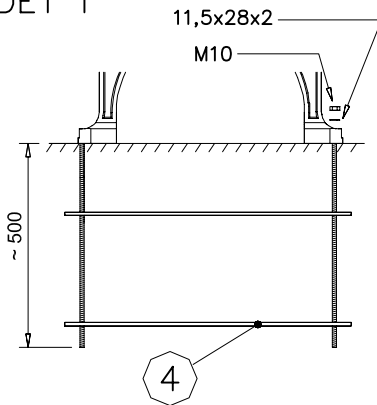
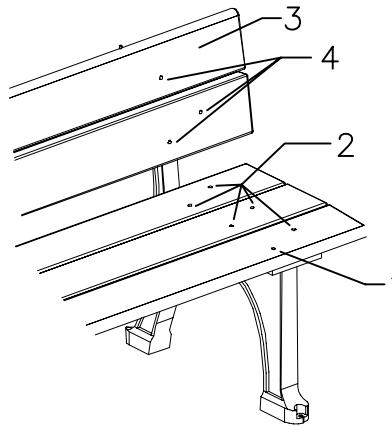


① N28901	PCS	② N29004	PCS
	2		2
		L=1800	
③ N29054	PCS	④ N29053	PCS
	3		2
L=1800			
⑤ N28902	PCS	⑥ N00109	PCS
	2		8
		7x30	
⑦ N50860	PCS	⑧ N50850	PCS
	10		2
M8x60		M8x50	
⑨ N50855	PCS	⑩ N01800	PCS
	8		12
M8x55		M8	
⑪ N01801	PCS	⑫ N03816	PCS
	8		20
M8		8,4x16x1,5	
⑬ N21000	PCS	⑭ N31028	PCS
	4		4
M10		11,5x28x2	
	PCS		PCS

DET 1

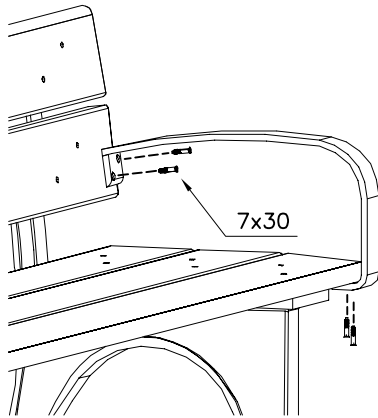


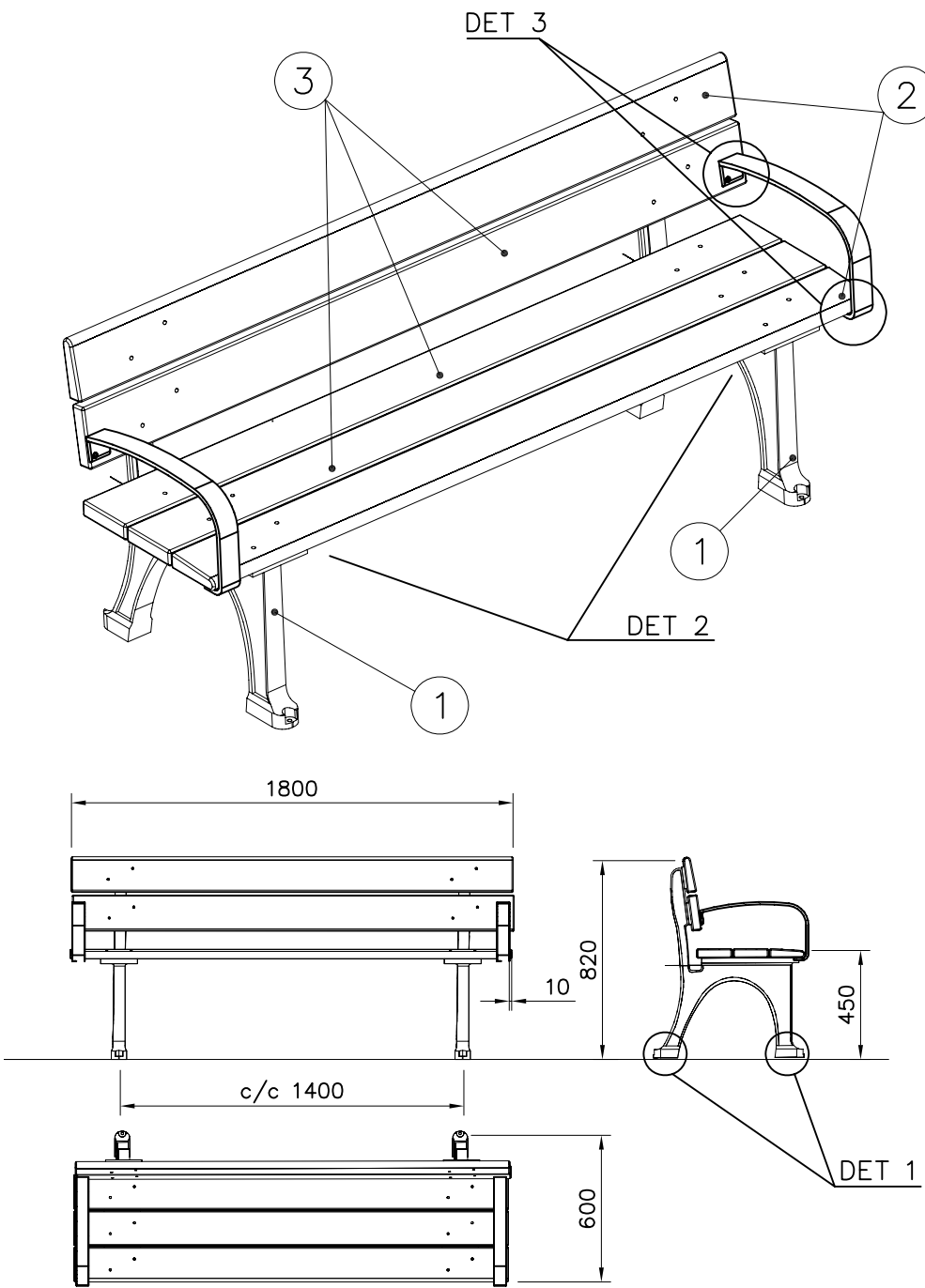
DET 2



- 1 M8x55
 8,4x16x1,5
 M8 (N01800)
- 2 M8x60
 8,4x16x1,5
 M8 (N01800)
- 3 M8x50
 8,4x16x1,5
 M8 (N01801)
- 4 M8x55
 8,4x16x1,5
 M8 (N01801)

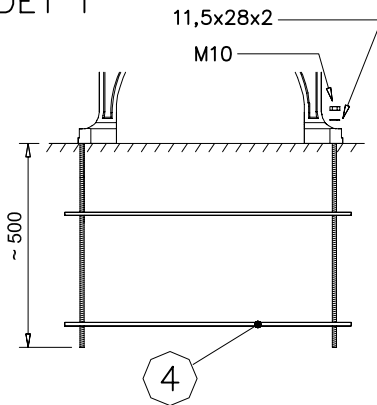
DET 3



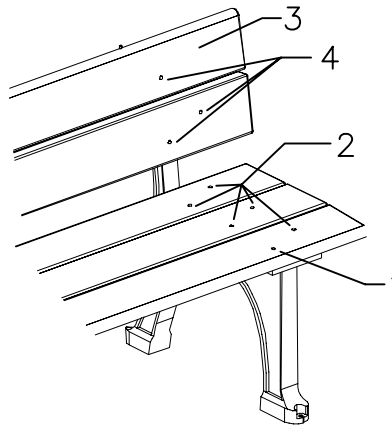


① N28901	PCS	② N29004	PCS
	2		2
		L=1800	
③ N29054	PCS	④ N29053	PCS
	3		2
L=1800			
⑤ N28902	PCS	⑥ N00109	PCS
	2		8
		7x30	
⑦ N50860	PCS	⑧ N50850	PCS
	10		2
M8x60		M8x50	
⑨ N50855	PCS	⑩ N01800	PCS
	8		12
M8x55		M8	
⑪ N01801	PCS	⑫ N03816	PCS
	8		20
M8		8,4x16x1,5	
⑬ N21000	PCS	⑭ N31028	PCS
	4		4
M10		11,5x28x2	
	PCS		PCS

DET 1



DET 2



- 1 M8x55
- 8,4x16x1,5
- M8 (N01800)

- 2 M8x60
- 8,4x16x1,5
- M8 (N01800)

- 3 M8x50
- 8,4x16x1,5
- M8 (N01801)

- 4 M8x55
- 8,4x16x1,5
- M8 (N01801)

DET 3

