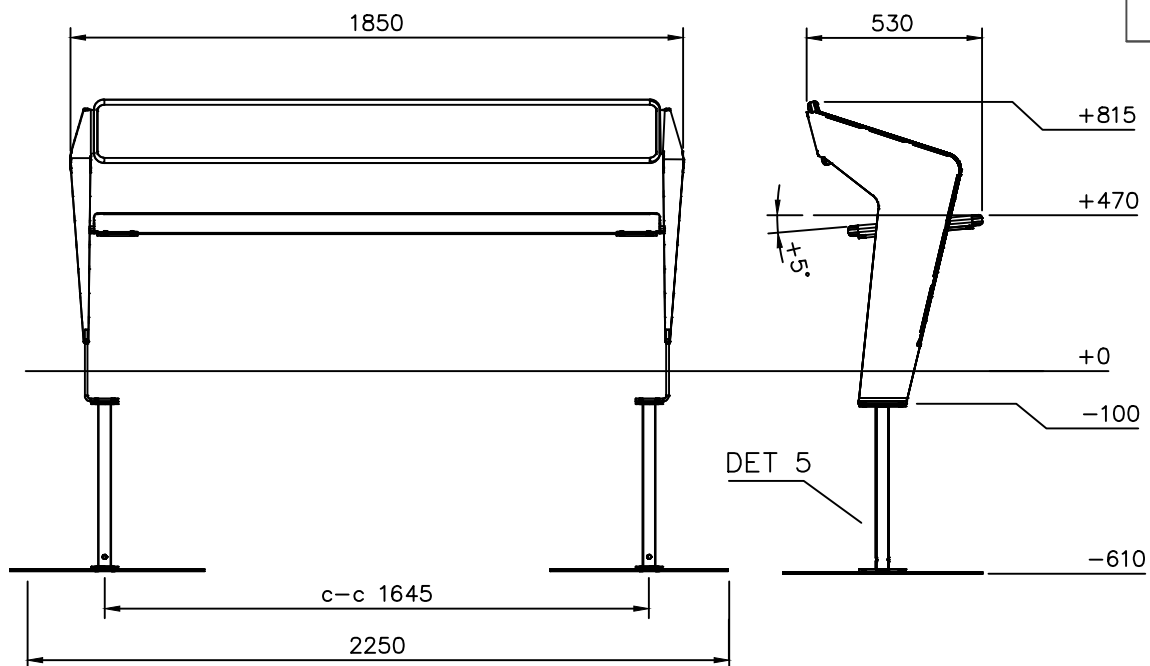
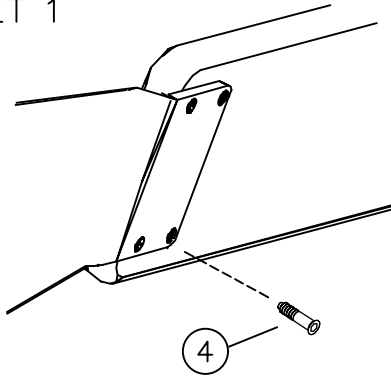


① N50501	PCS/ST	② N50502	PCS/ST
	1		1
③ N39014	PCS/ST	④ N00109	PCS/ST
	3		24
		7x30	
⑤ N50511	PCS/ST	⑥ N00134	PCS/ST
	2		1
L : 500mm			
⑦ N01825	PCS/ST	⑧ N01800	PCS/ST
	16		16
M8x25		M8	
		⑨ N50512	PCS/ST
			2
		600x600	

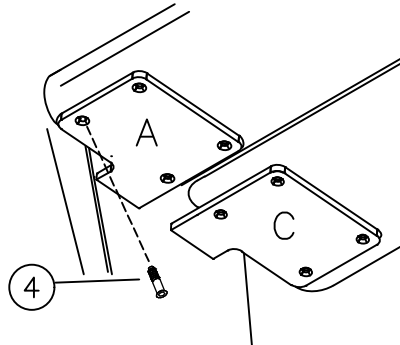


DET 1



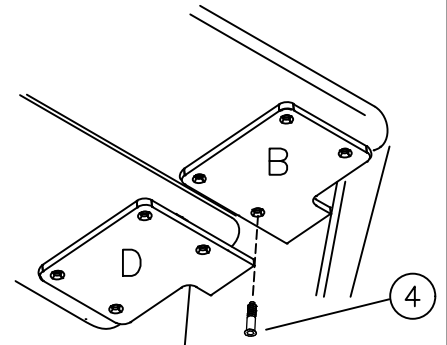
pre drilled holes förborrade hål

DET 2



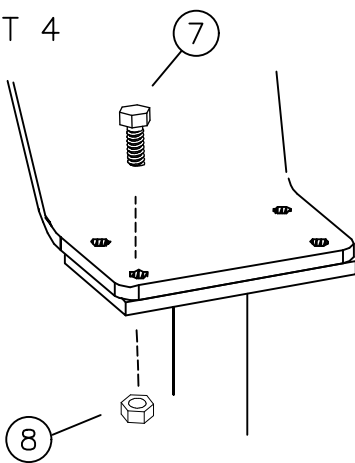
attach in order A-D
monteras i ordningen A-D

DET 3

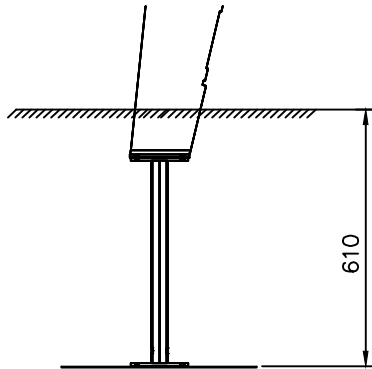


attach in order A-D
monteras i ordningen A-D

DET 4



DET 5



No concrete needed
Ingen betong nödvändig