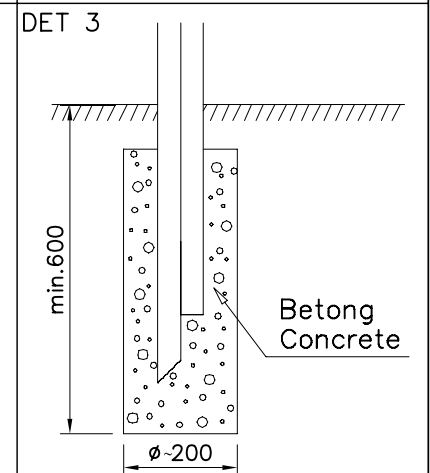
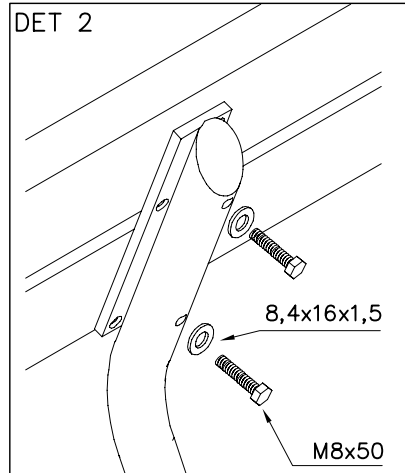
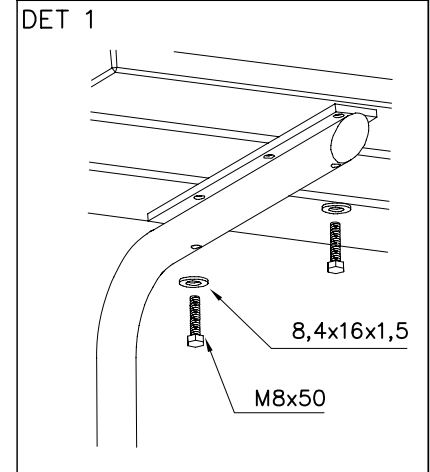
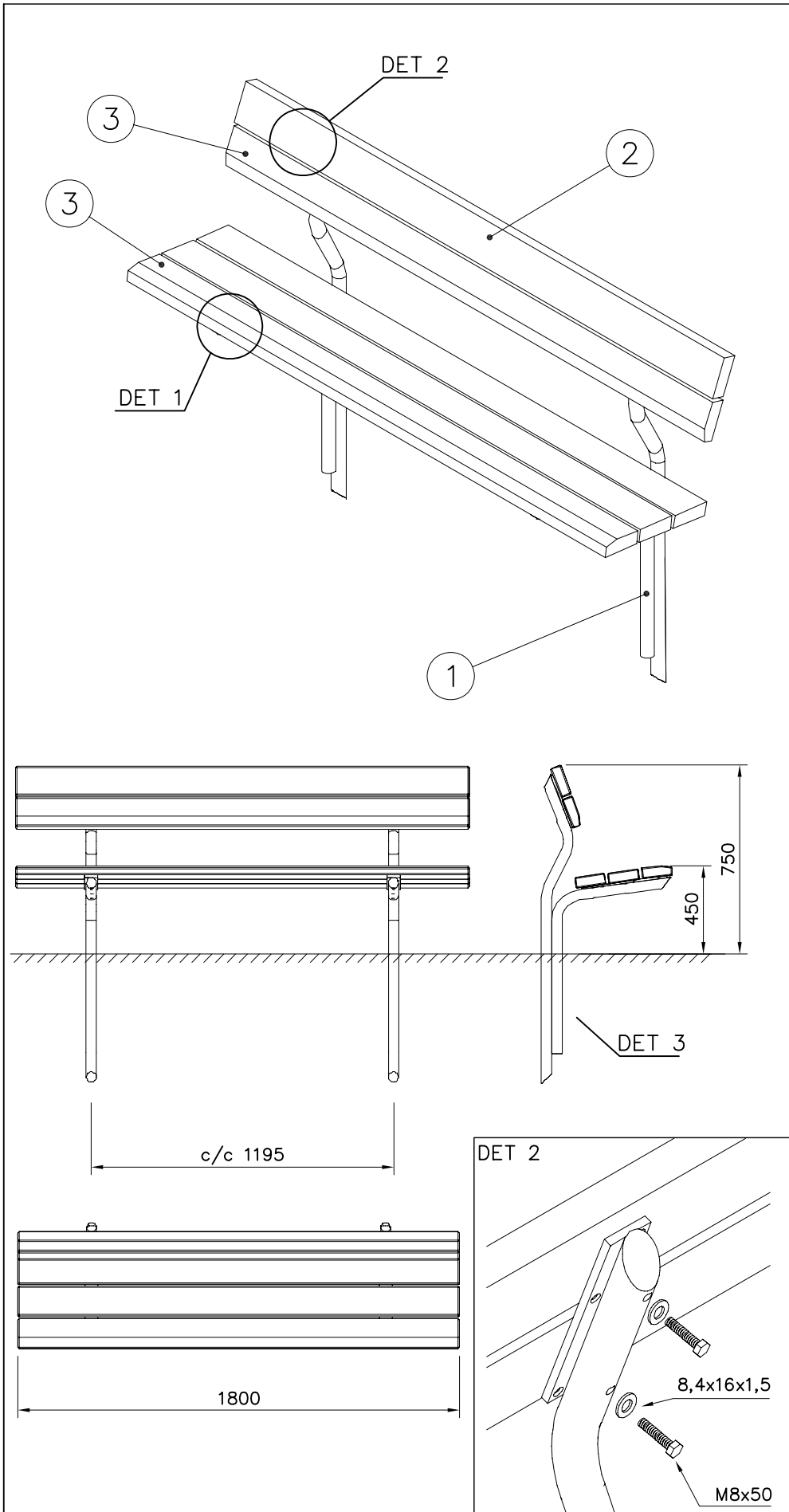


① N22711	ST	② N22712M	ST
	2		3
③ N22713M	ST	④ N03816	ST
	2		8
		8,4x16x1,5	
⑤ N01850	ST	⑥ N22716	ST
	8		2
M8x50			
⑦ N22717	ST	⑧ N00109	ST
	2		20
		7x30	





① N22711	ST	② N22712M	ST
	2		3
③ N22713M	ST	④ N03816	ST
	2		8
		8,4x16x1,5	
⑤ N01850	ST	⑥ N22716	ST
	8		2
M8x50			
⑦ N22717	ST	⑧ N00109	ST
	2		20
		7x30	

