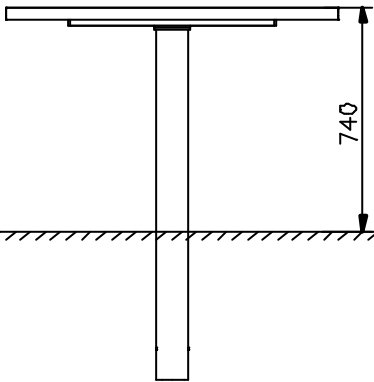
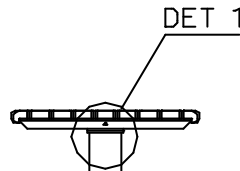


2

1

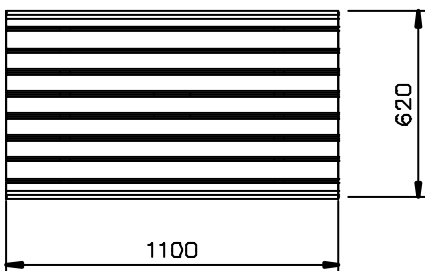


740








DET 1

DET 2

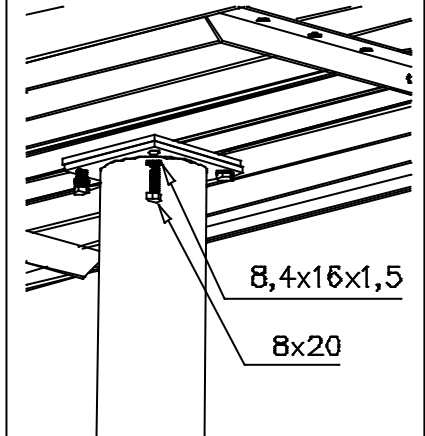


1100

620

① N72512	ST	② N72518 Jarrah	ST
	1		1
		Furu N72531	
③ N01800	ST	④ N01820	ST
	4		4
M8		8x20	
⑤ N03816	ST		ST
	4		
8,4x16x1,5			
	ST		ST

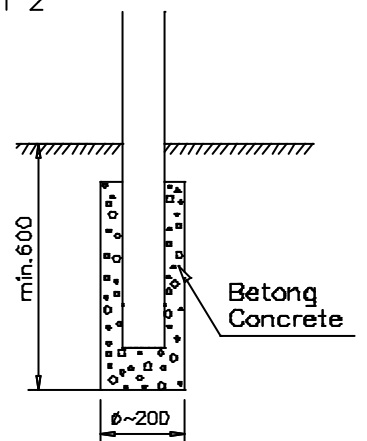
DET 1



8,4x16x1,5

8x20

DET 2



min.600

Betong
Concrete

φ~200