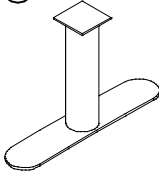



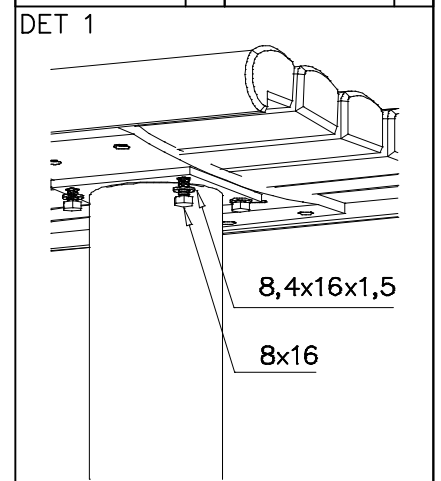
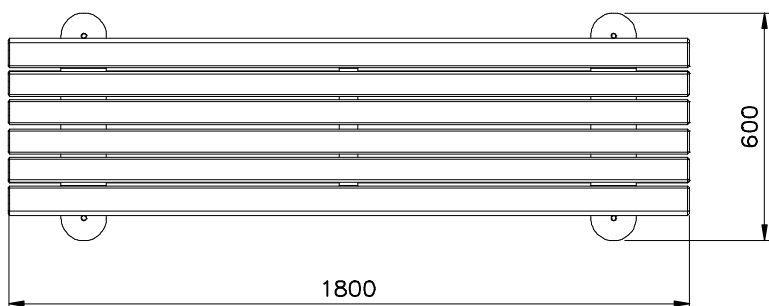
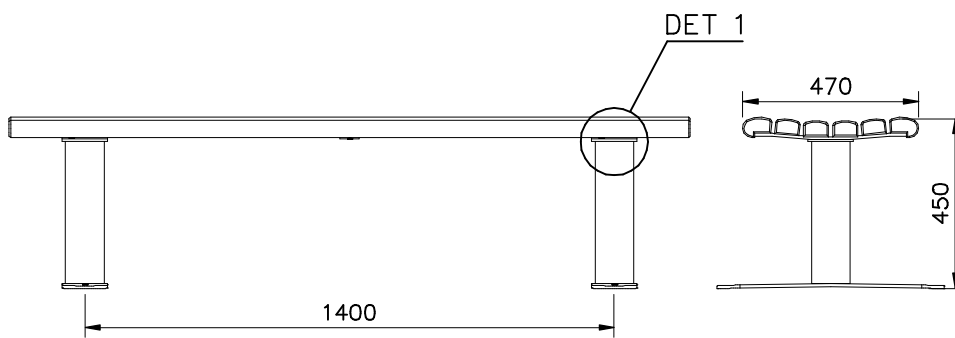
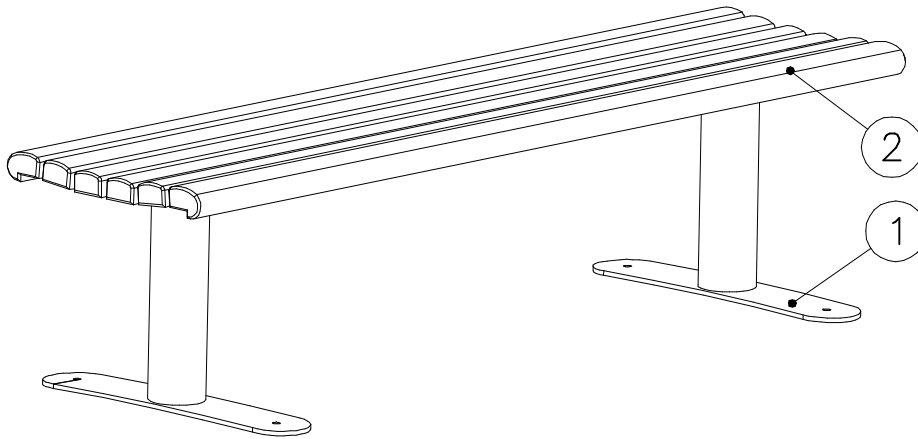
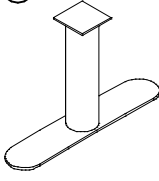
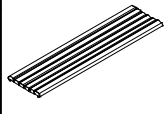


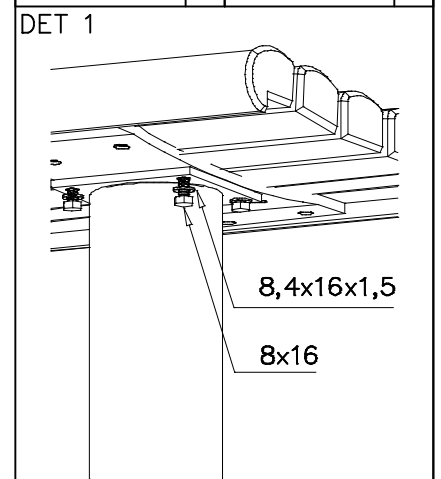


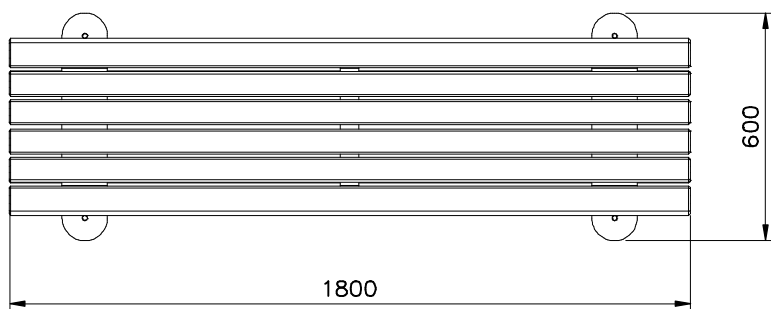
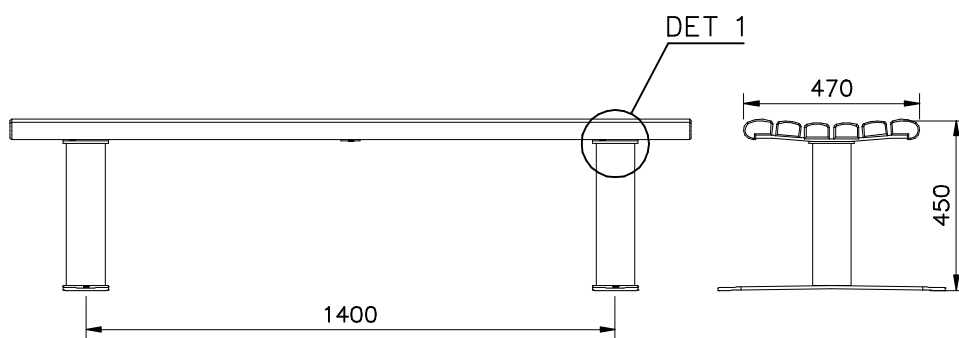
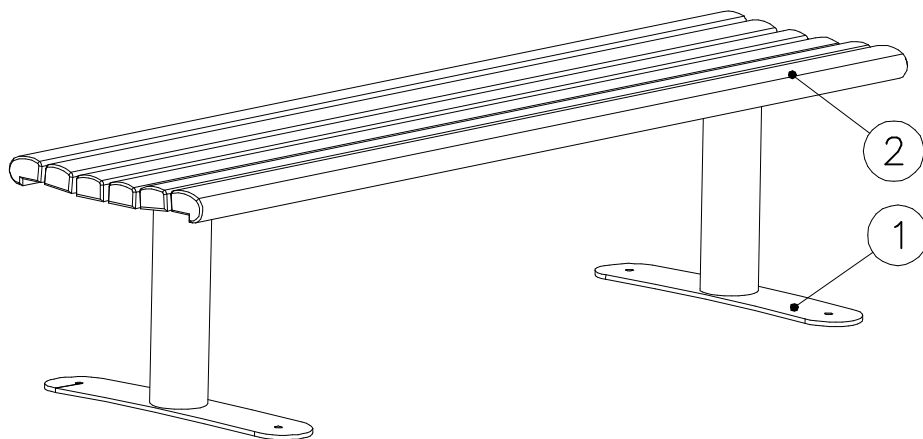
① N71015 	ST 2	② N72014 Jarrah  Furu N72031	ST 1
③ N01816  8x16	ST 8	④ N03816  8,4x16x1,5	ST 8
	ST		ST
	ST		ST
	ST		ST
	ST		ST

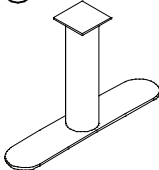





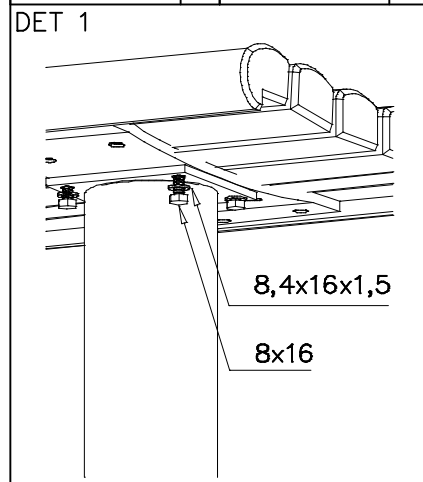


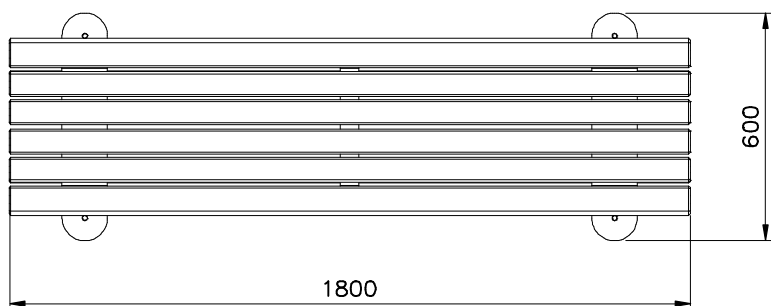
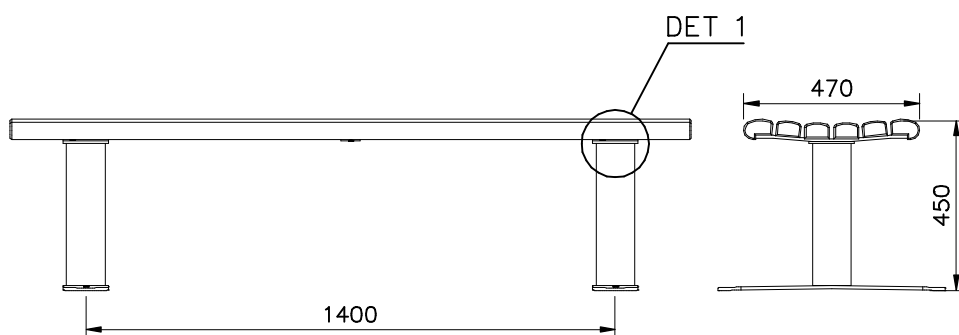
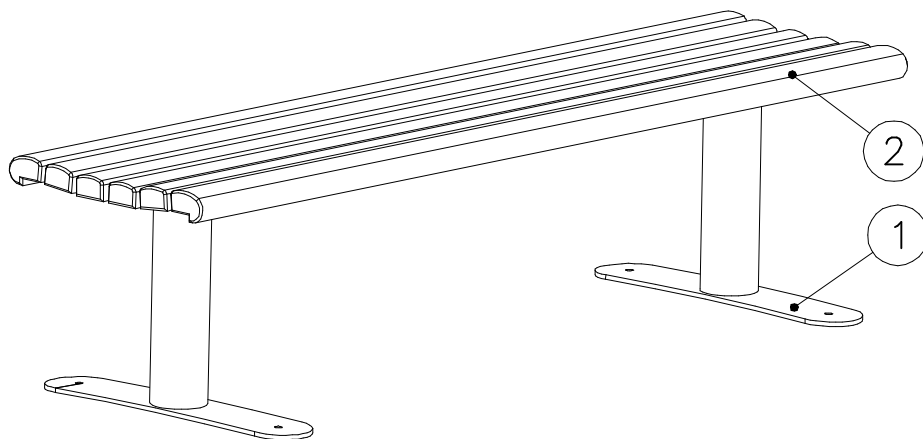
① N71015 	ST 2	② N72014 Jarrah  Furu N72031	ST 1
③ N01816  8x16	ST 8	④ N03816  8,4x16x1,5	ST 8
	ST		ST
	ST		ST
	ST		ST
	ST		ST

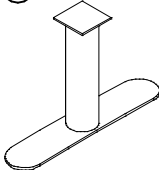

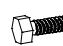





① N71015 	ST 2	② N72014 Jarrah  Furu N72031	ST 1
③ N01816  8x16	ST 8	④ N03816  8,4x16x1,5	ST 8
	ST		ST
	ST		ST
	ST		ST
	ST		ST





① N71015 	ST 2	② N72014 Jarrah  Furu N72031	ST 1
③ N01816  8x16	ST 8	④ N03816  8,4x16x1,5	ST 8
	ST		ST
	ST		ST
	ST		ST
	ST		ST

