

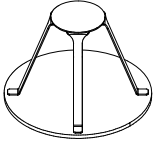

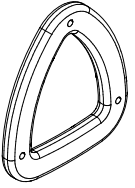
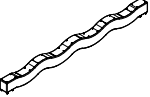

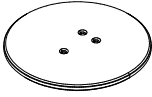






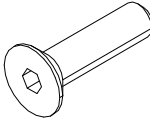

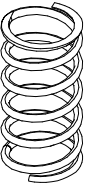
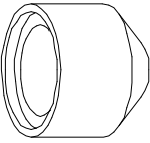
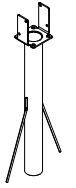
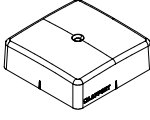
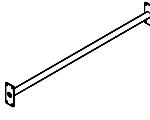

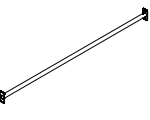

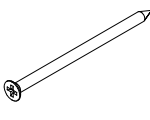
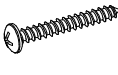

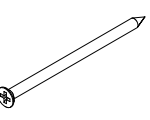
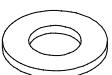
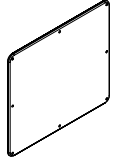

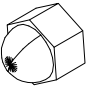
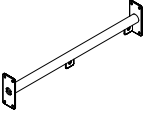
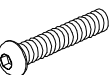
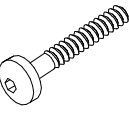
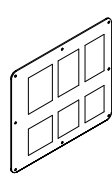
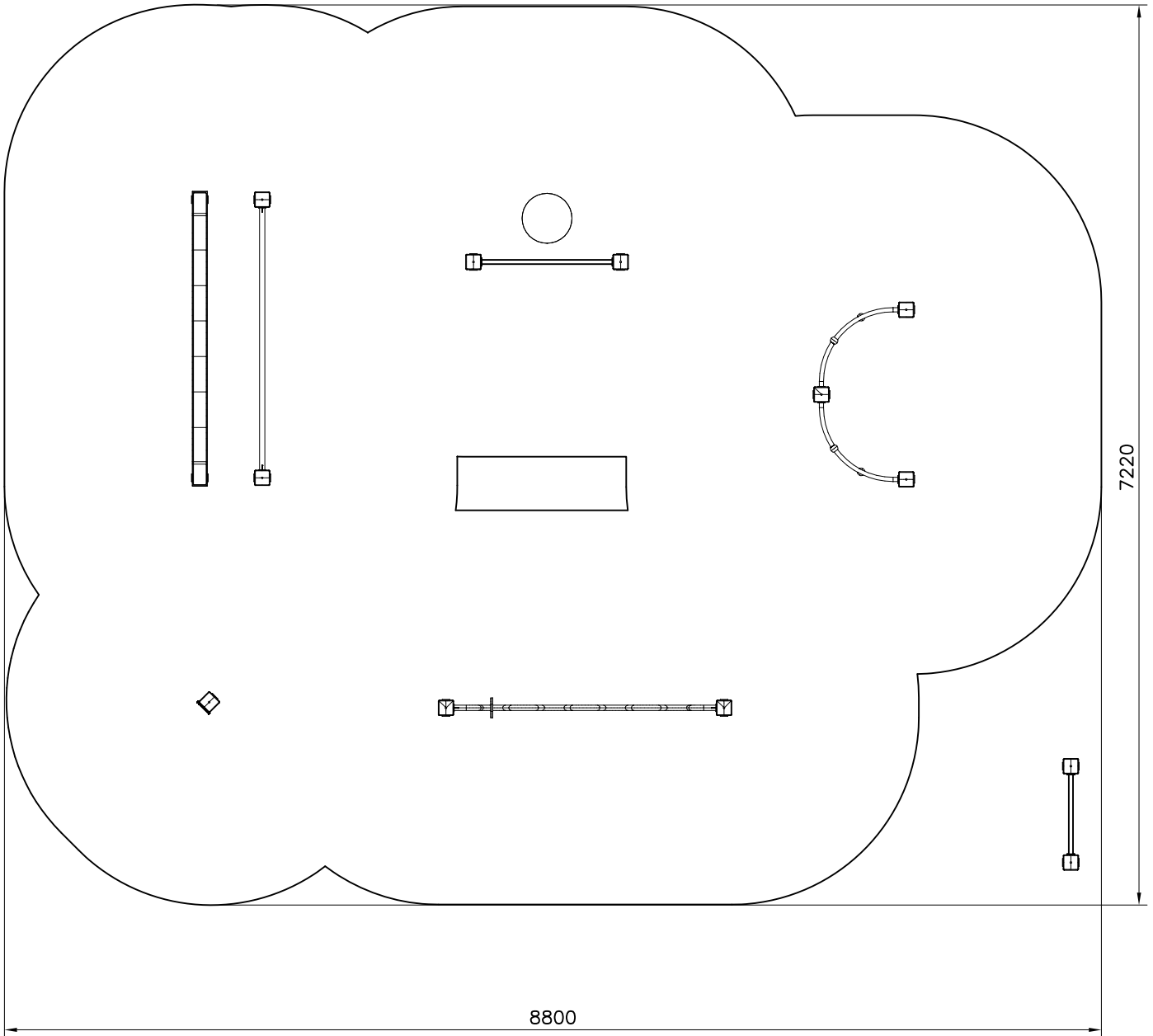
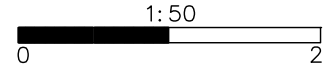
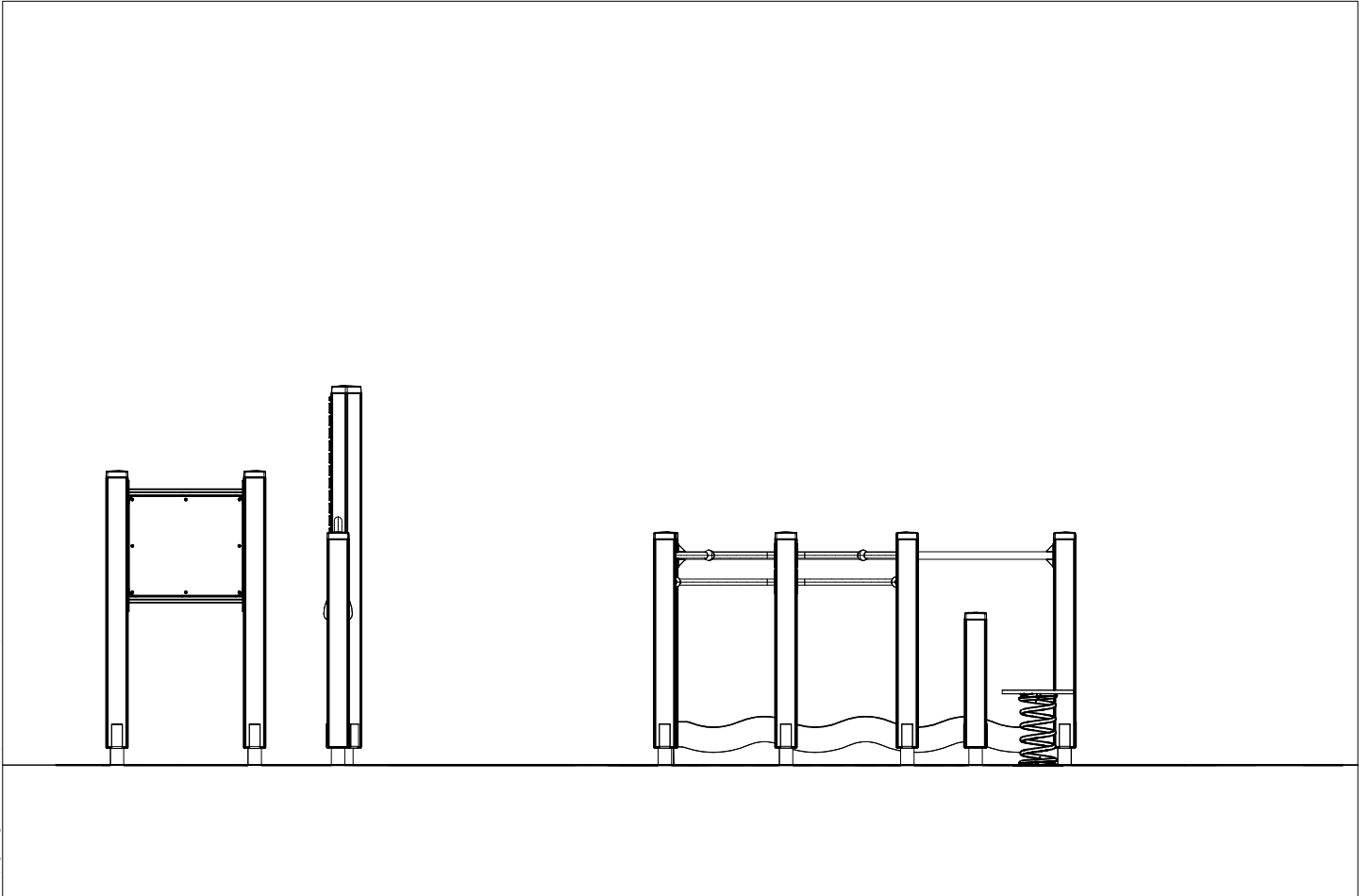
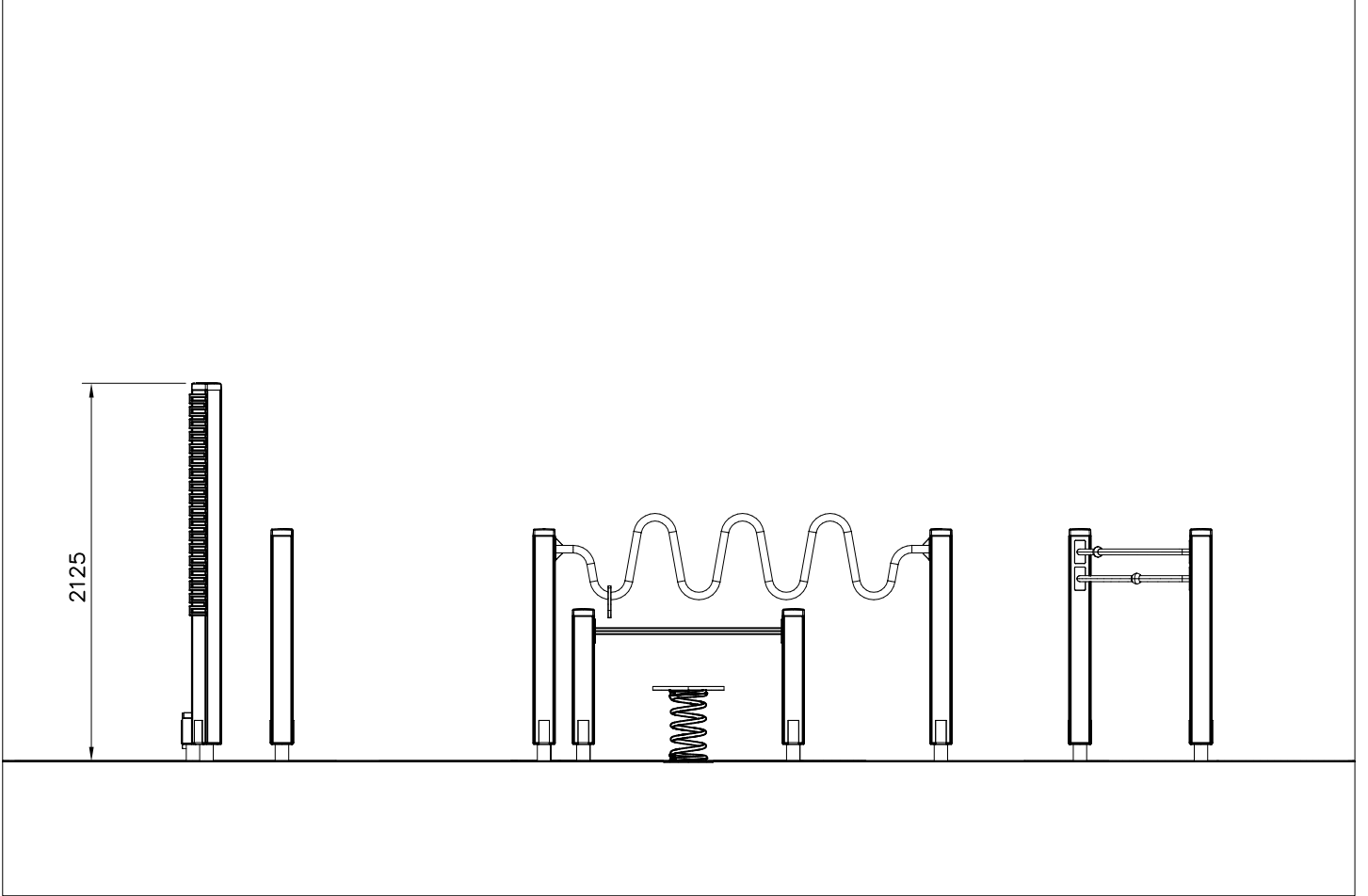


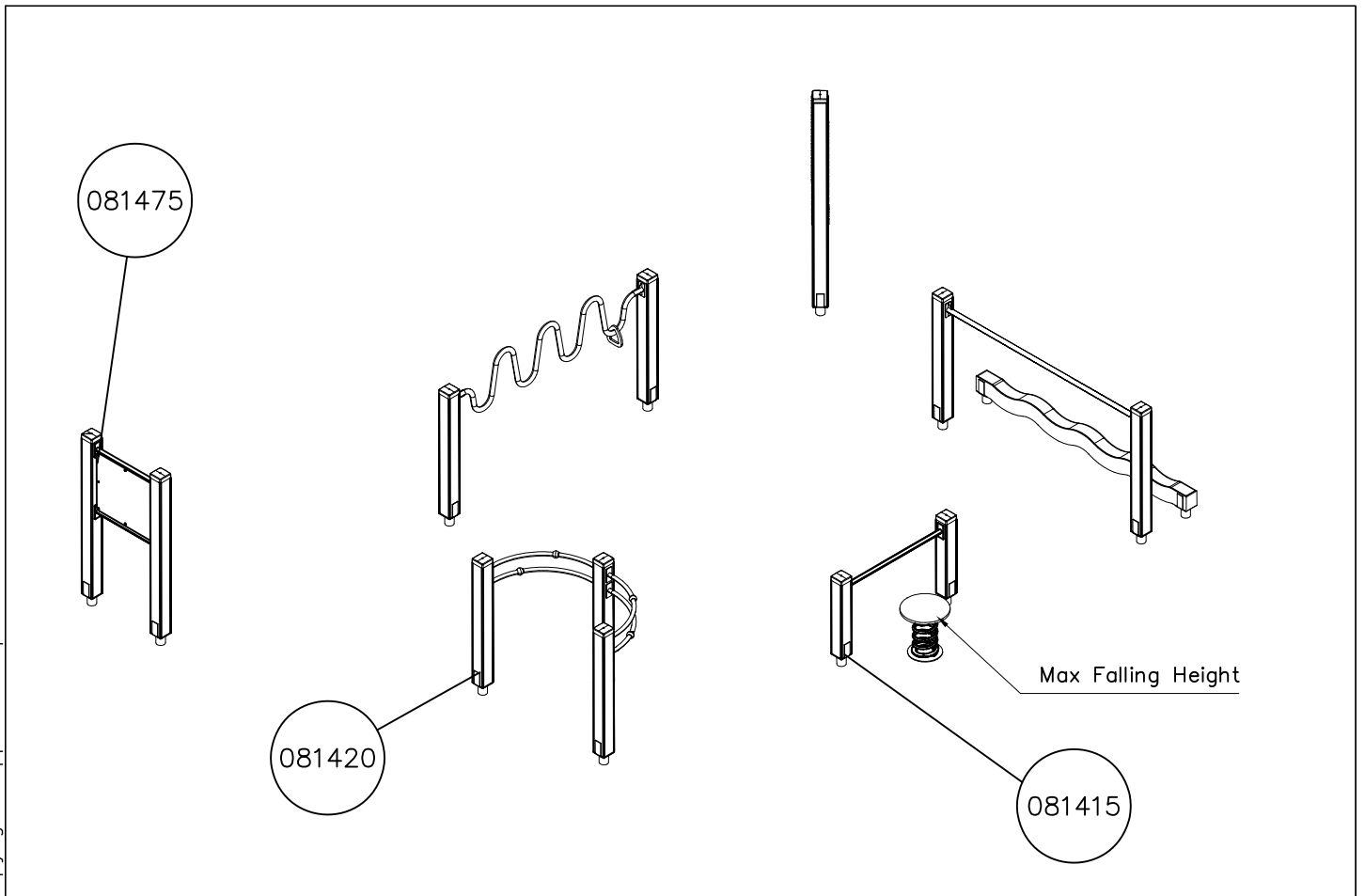
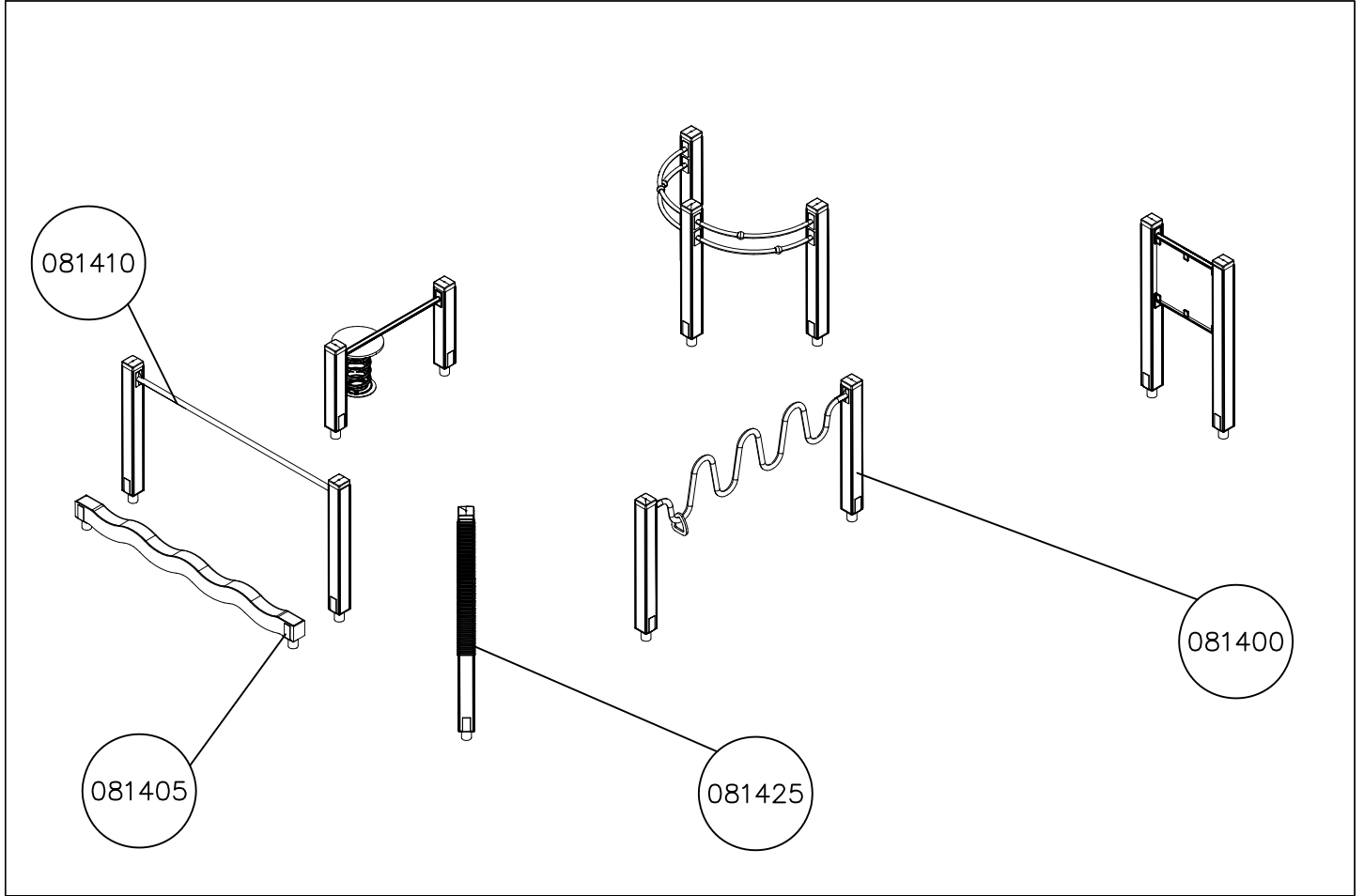
DATE: 15.9.2017

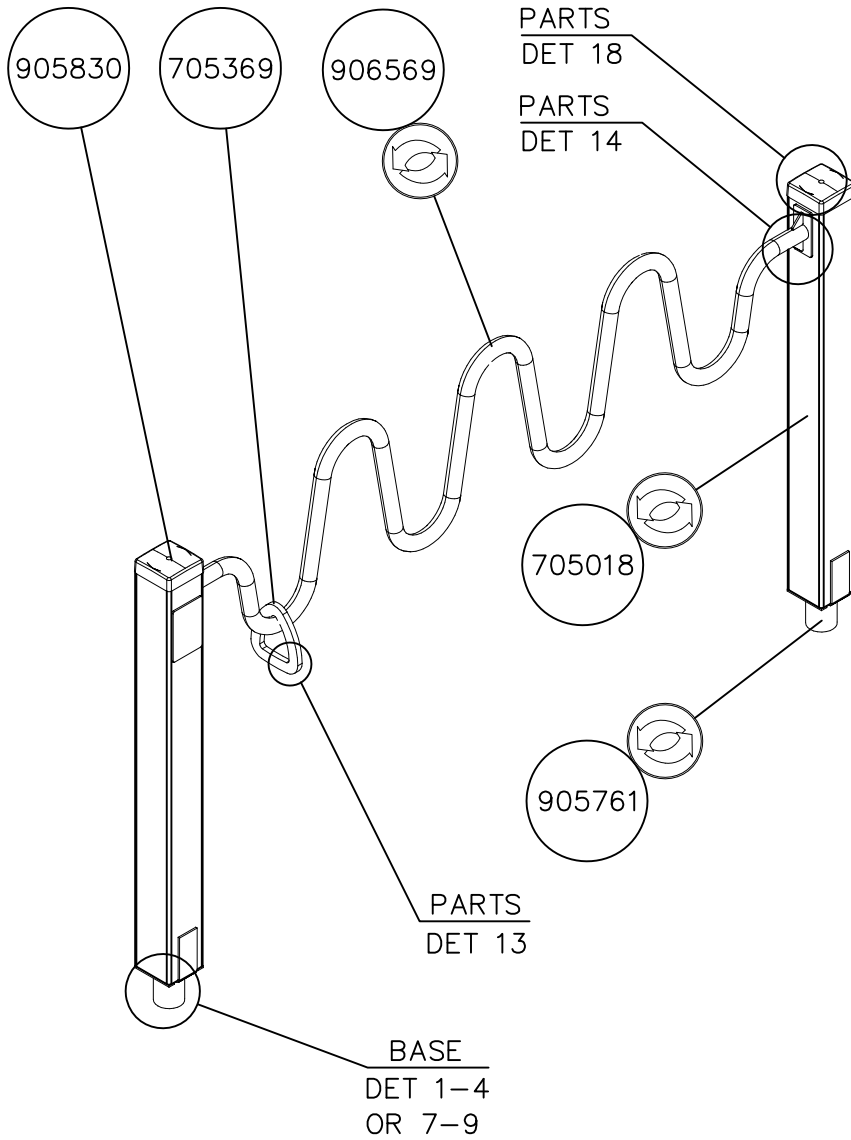
	PCS	705018  120x120x1170	PCS	705034  120x120x1990	PCS	705101 	PCS	705329  120x120x720	PCS	705369 	PCS	1
705392  2360x200x120	PCS	705505 	PCS	705586  Ø400	PCS	706039 	PCS	706041 	PCS	706043 	PCS	1
706044 	PCS	706046 	PCS	706047 	PCS	901487  M10x40	PCS		PCS	903191 	PCS	2
903192  20x200x400	PCS	905104  M10	PCS	905761  120x120x700	PCS	905830  123x123x40	PCS	905838  1060 Lime	PCS	906569 	PCS	1
906576 	PCS	906632 	PCS		PCS	980104  Ø5x90	PCS	980114  Ø4x20	PCS	980123  Ø7x60	PCS	124
980131  Ø6x60	PCS	909256  Ø16/8.4x1.6	PCS	705024  15x640x560	PCS	705345  120x120x1520	PCS	909633  M8	PCS	905936  L 652	PCS	2
909855  M8x35	PCS		PCS	901899 Optio  M8x45	PCS	Acryl + sticker  640x560	PCS		PCS		PCS	

Area of Movement 54.6 m²
Max Falling Height 420 mm

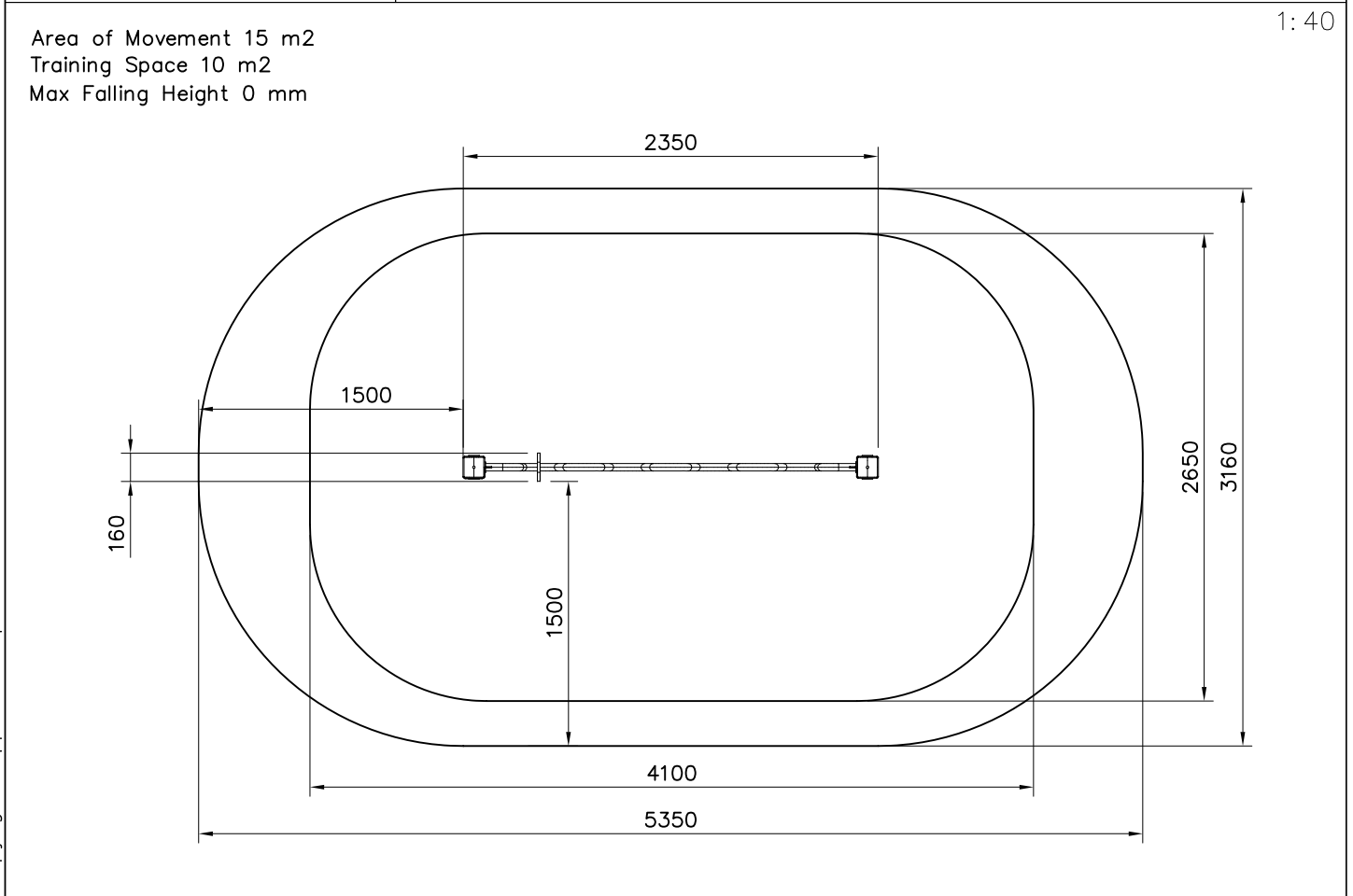
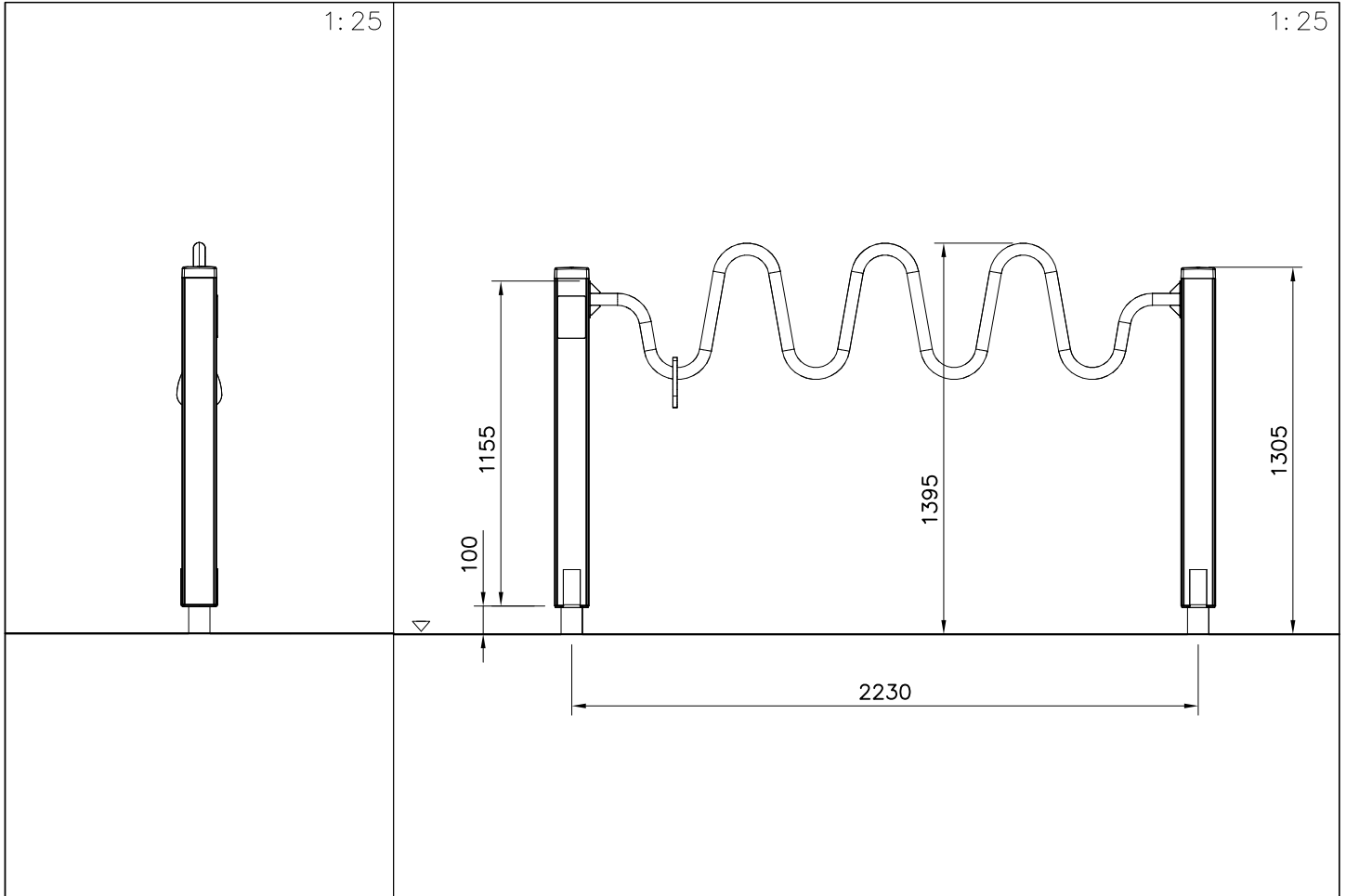


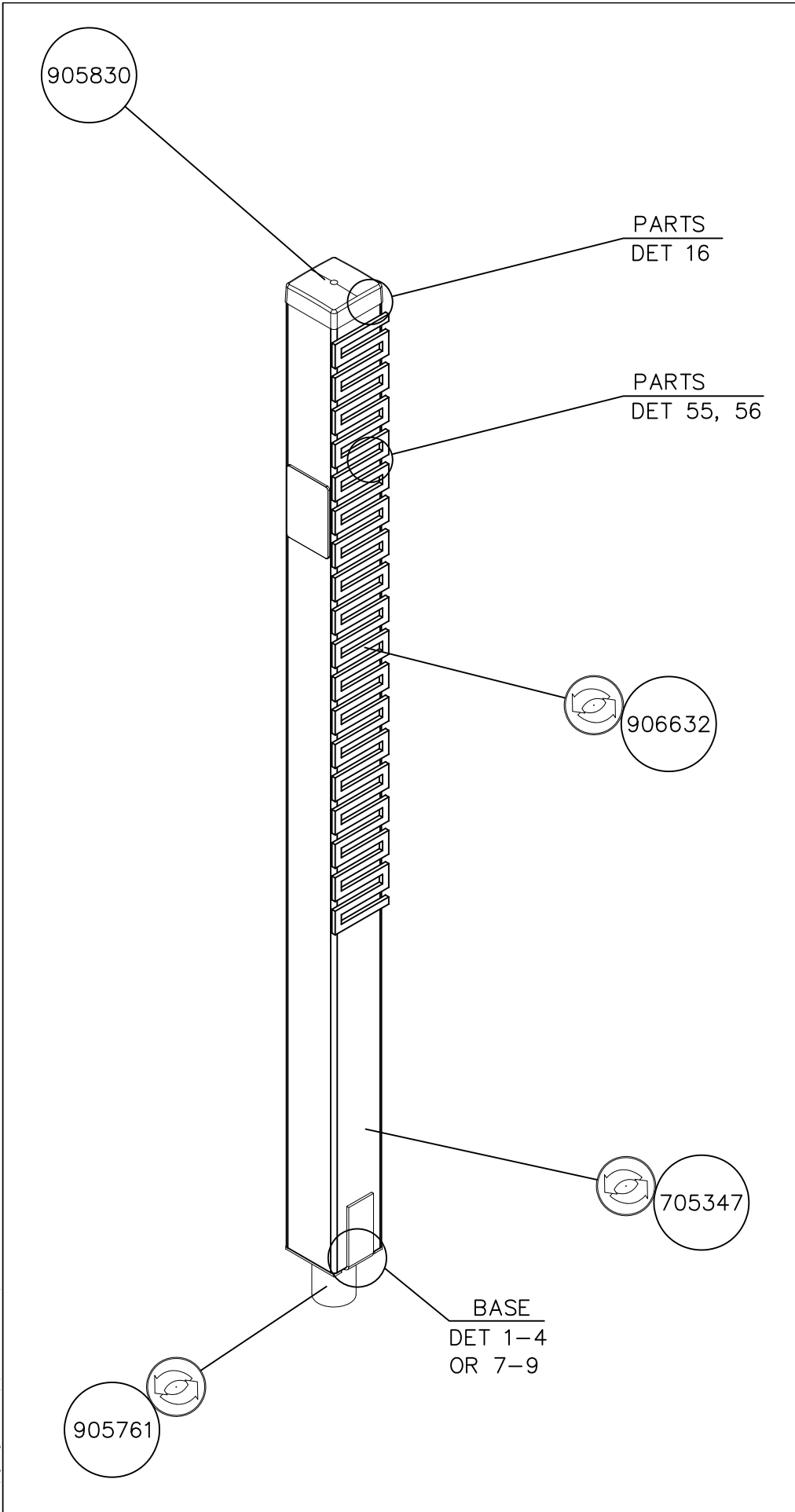






①	706039	PCS	②	705018	PCS
		1			2
				120x120x1170	
③	705369	PCS	④	980114	PCS
		1			4
				Ø4x20	
⑤	905104	PCS	⑥	905761	PCS
		8			2
	M10			120x120x700	
⑦	905830	PCS	⑧	906569	PCS
		2			1
	123x123x40			1960x520x60	
⑨	980104	PCS	⑩	980123	PCS
		2			16
	Ø5x90			Ø7x60	
⑪	909256	PCS			PCS
		16			
	Ø16/8.4				
		PCS			PCS
		PCS			PCS

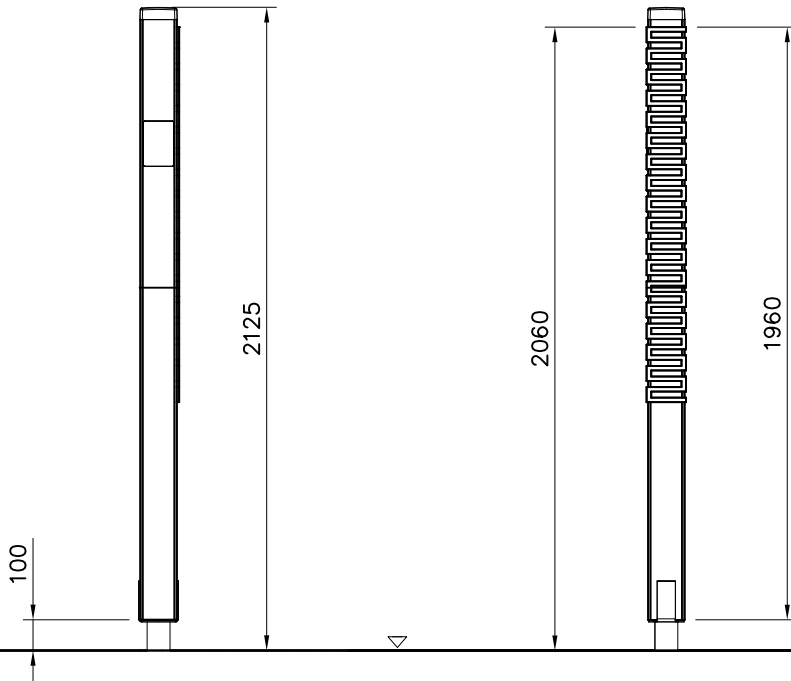




①	706047	PCS	②	906632	PCS
		1			1
③	705347	PCS	④	980123	PCS
		1			4
				Ø7x60	
⑤	980114	PCS	⑥	905104	PCS
		4			4
	Ø4x20			M10	
⑦	905761	PCS	⑧	905830	PCS
		1			1
	120x120x700			123x123x40	
⑨	980104	PCS	⑩	980131	PCS
		1			7
	Ø5x90			Ø6x60	
⑪	909256	PCS			PCS
		4			
	Ø16/8.4				
		PCS			PCS
		PCS			PCS

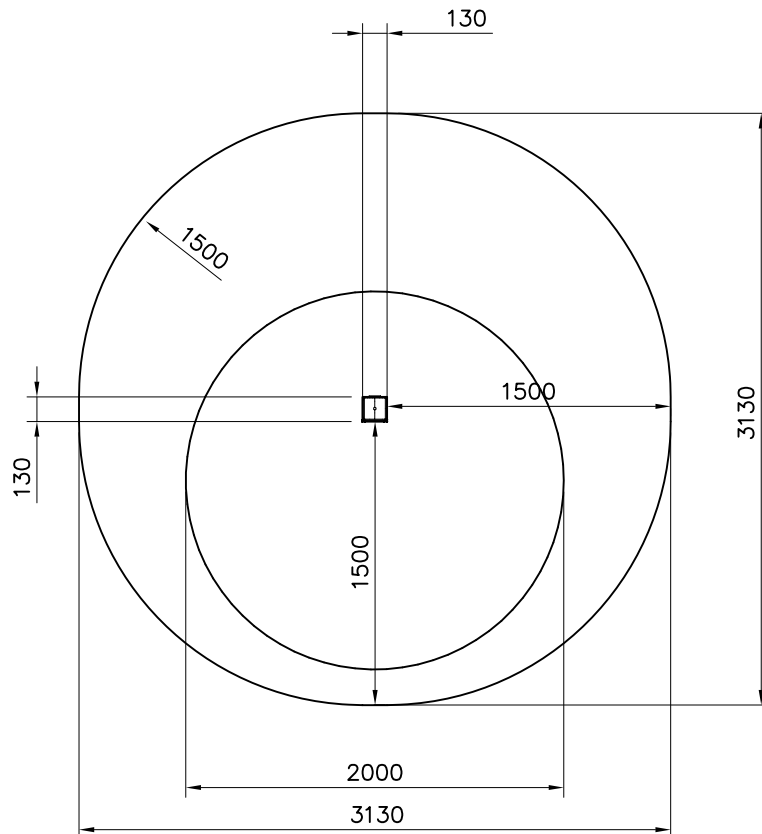


1: 25



Area of Movement 7.9 m²
Training Space 3.1 m²
Max Falling Height 0 mm

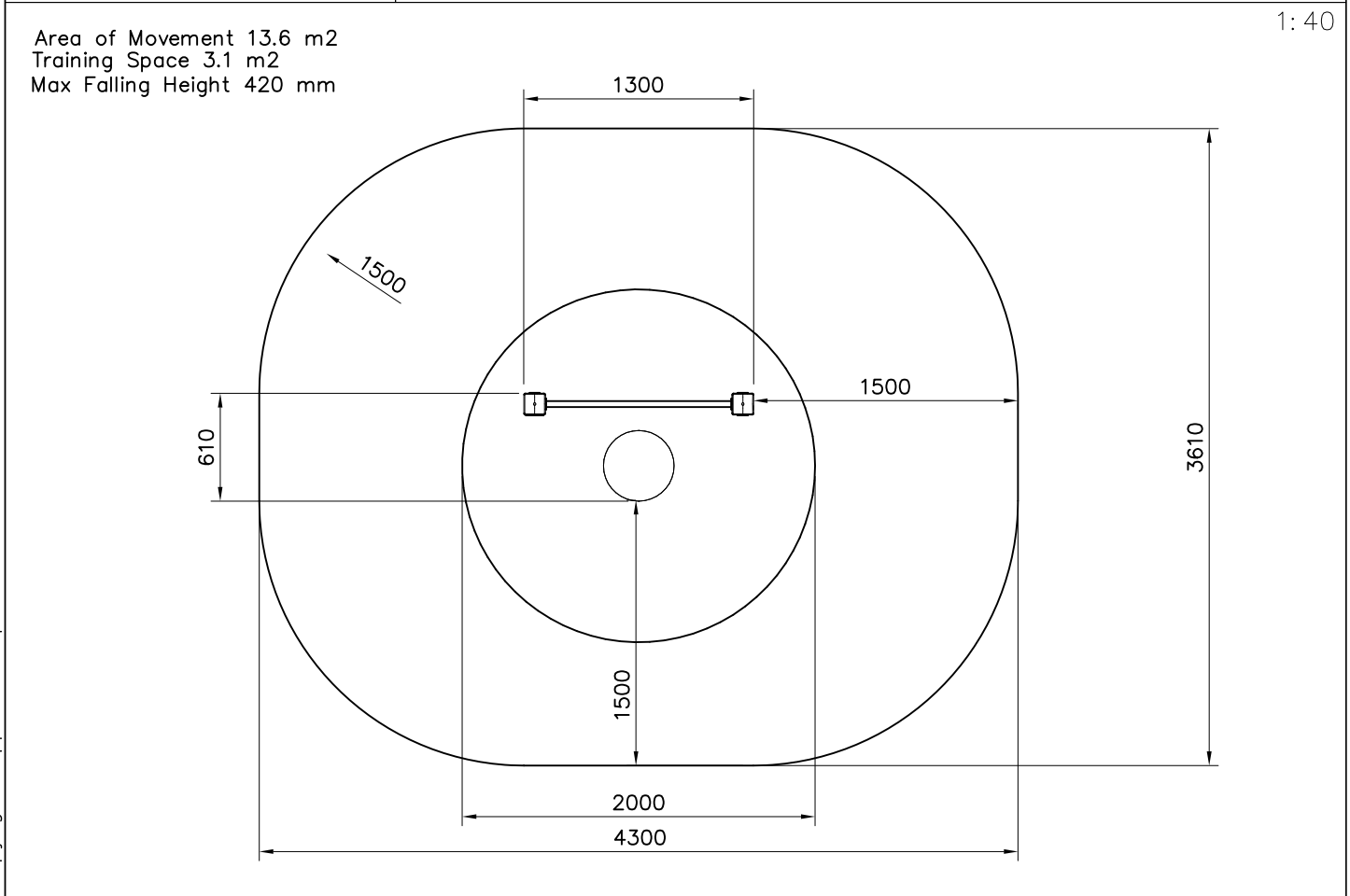
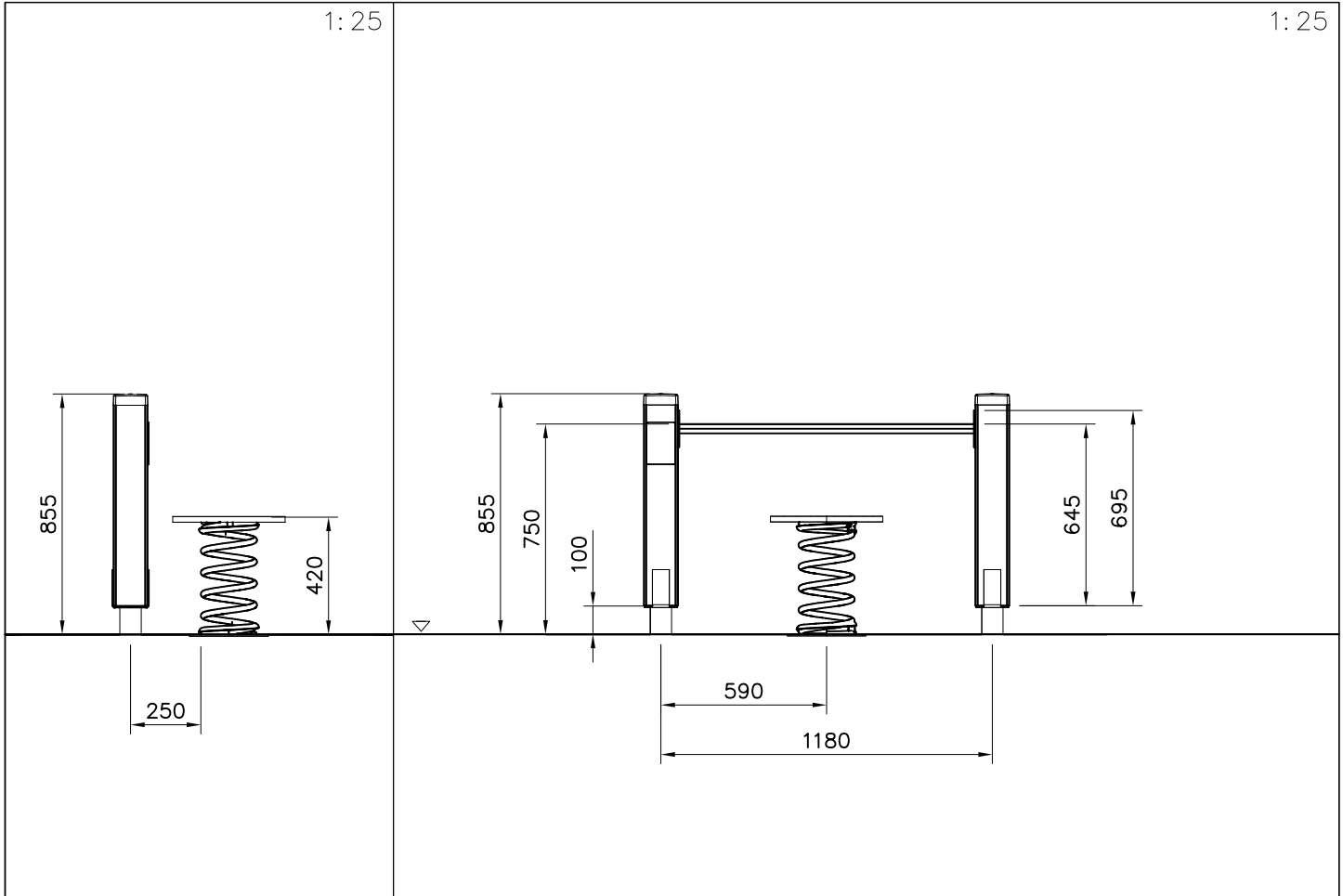
1: 40

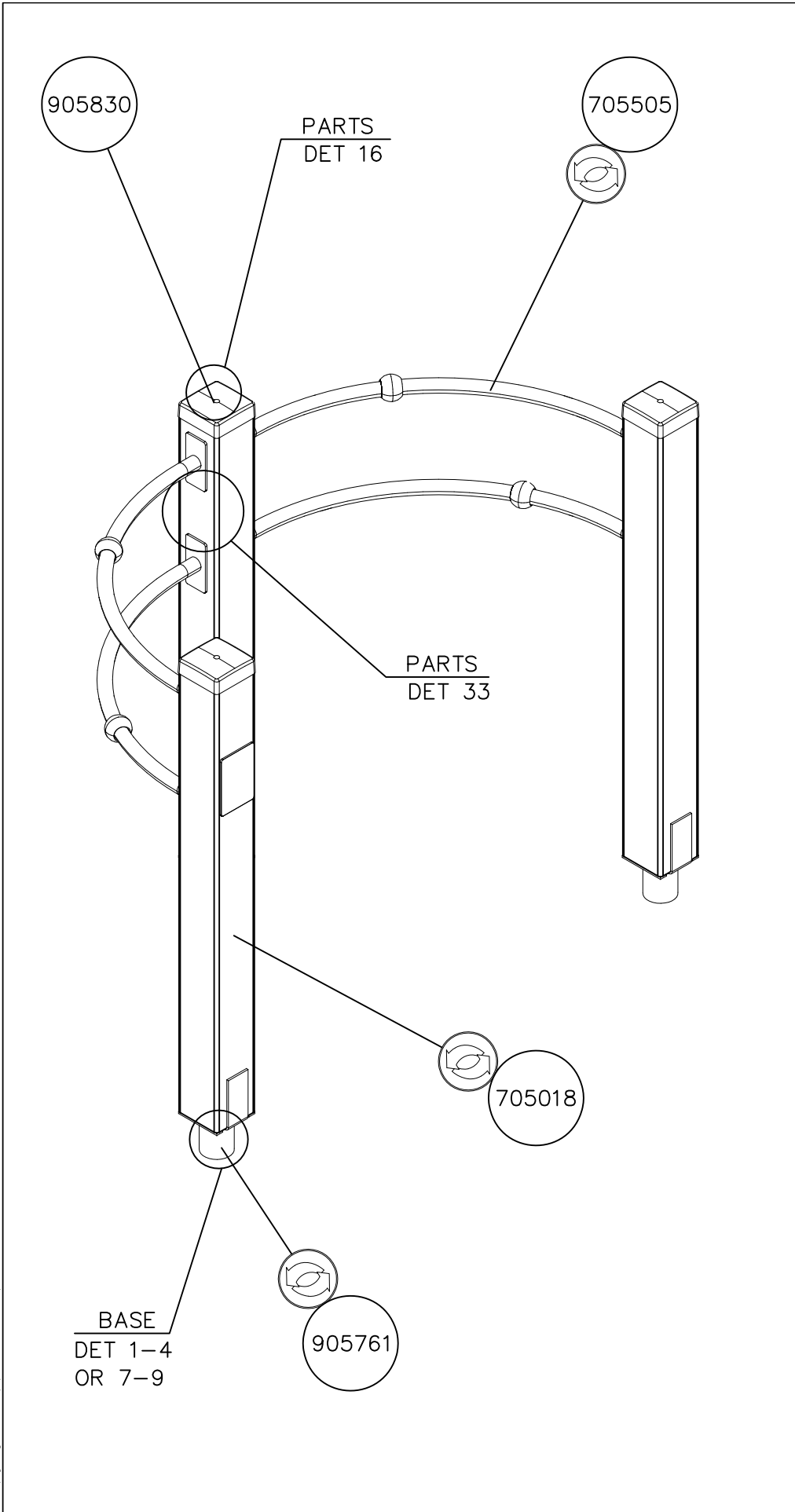




905830 905838 PARTS DET 16 PARTS DET 1 705329 705432 903192 PARTS DET 19-21 BASE DET 19-21 BASE DET 1-4 OR 7-9 905761 705101

①	706044	PCS	1	②	705329	PCS	2
				120x120x720			
③	705101	PCS	1	④	980114	PCS	4
				Ø4x20			
⑤	905104	PCS	8	⑥	905830	PCS	2
				123x123x40			
	M10						
⑦	905838	PCS	1	⑧	980104	PCS	2
				Ø5x90			
	1060 Lime						
⑨	980123	PCS	16	⑩	905761	PCS	2
				120x120x700			
	Ø7x60						
⑪	705432	PCS	1	⑫	901487	PCS	3
				M10x40			
	Ø400						
⑬	909256	PCS	16	⑭	903192	PCS	1
	Ø16/8.4			20x200x400			
⑮	903191	PCS	2	<p>M10x35 (902252) Ø20/10.5x2 (901302) M10 (909637) 19x21x25 (903193)</p>			

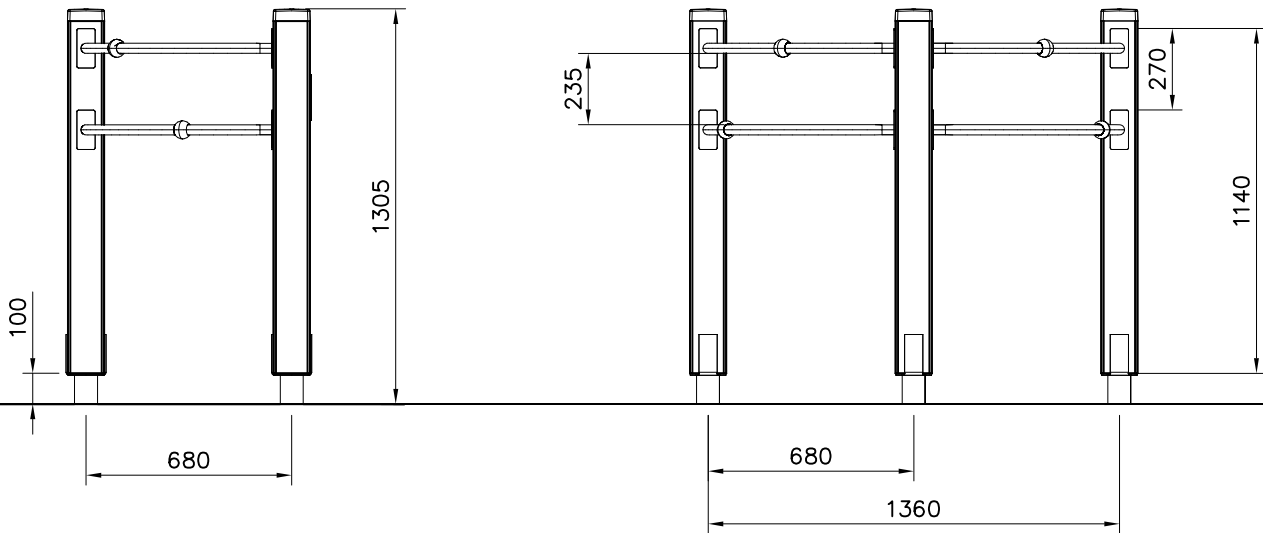




①	706046	PCS	②	705018	PCS
		1			3
				120x120x1170	
③	705505	PCS	④	980114	PCS
		4			4
				Ø4x20	
⑤	905104	PCS	⑥	905761	PCS
		12			3
	M10			120x120x700	
⑦	905830	PCS	⑧	980104	PCS
		3			3
	123x123x40			Ø5x90	
⑨	980123	PCS	⑩	909256	PCS
		44			44
	Ø7x60			Ø16/8.4	
		PCS			PCS
		PCS			PCS
		PCS			PCS

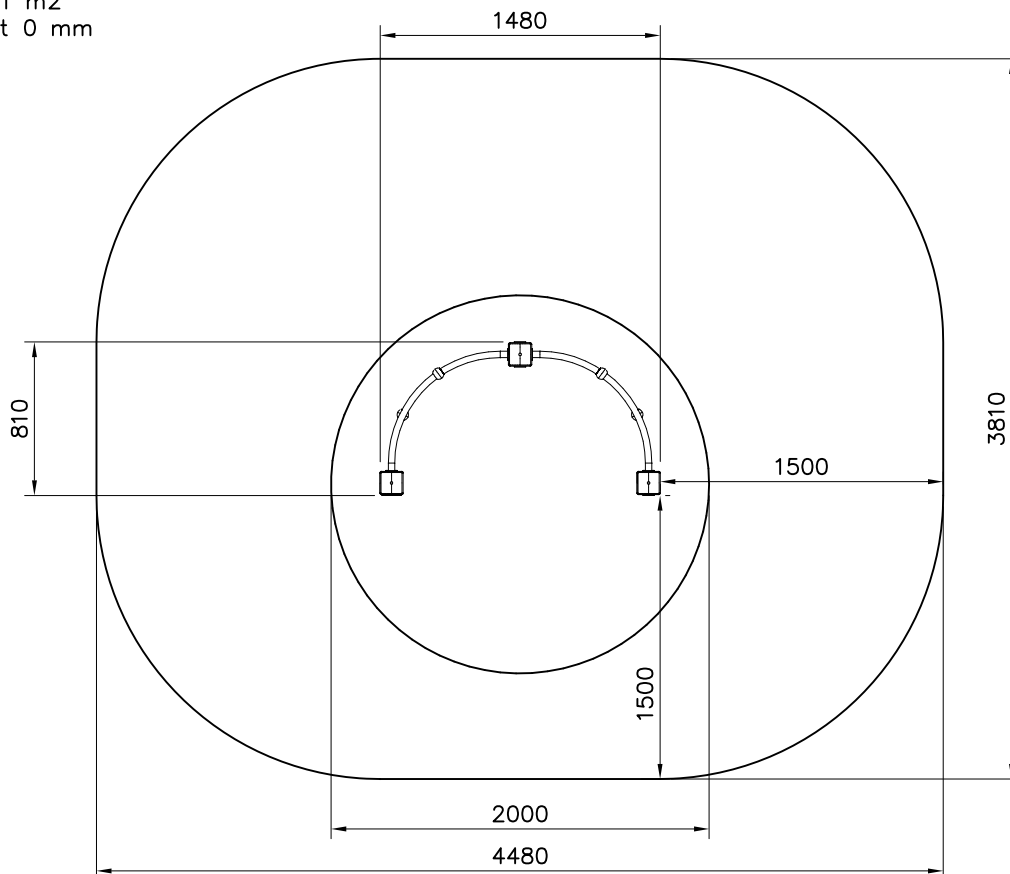


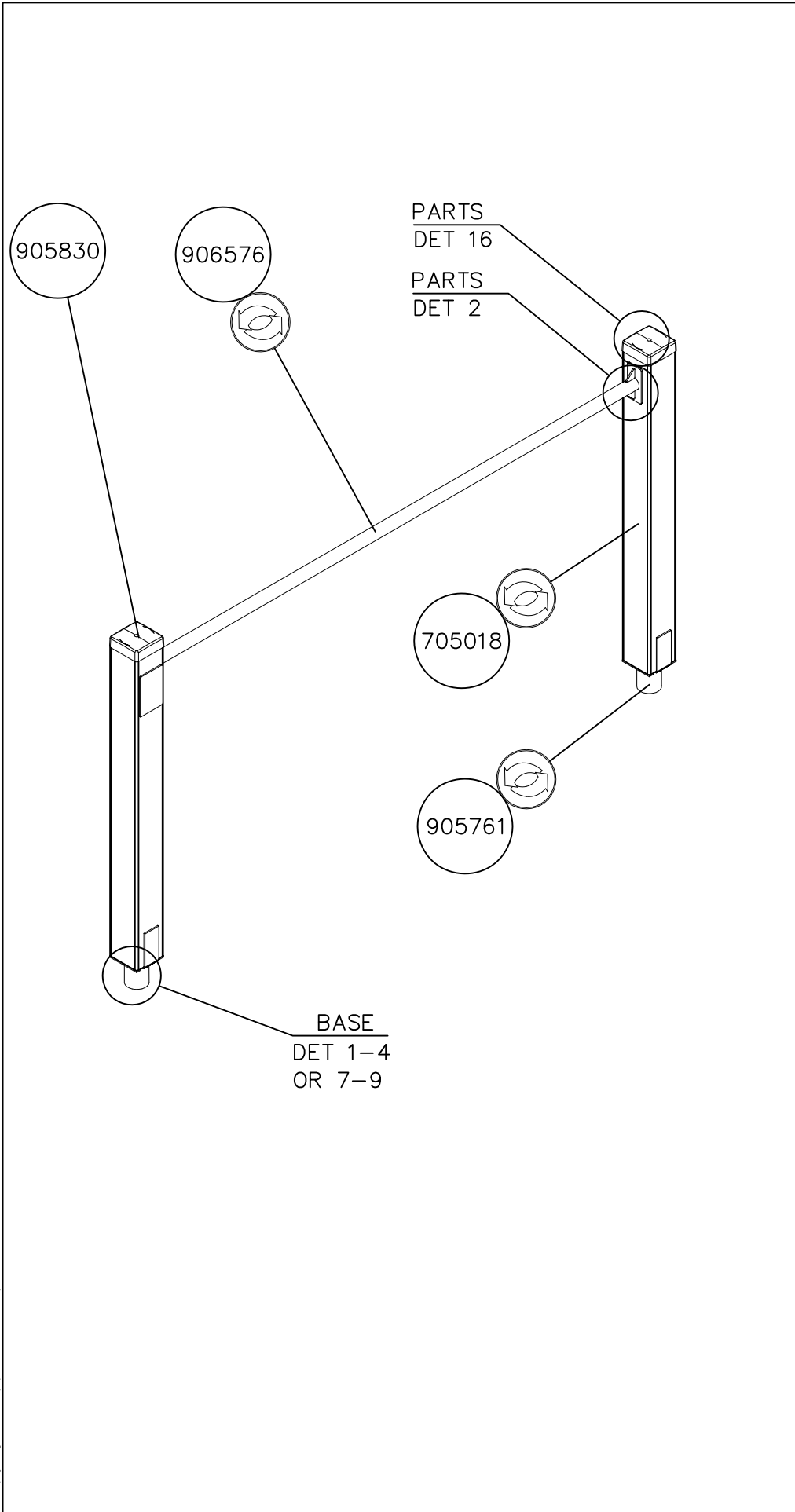
1: 25



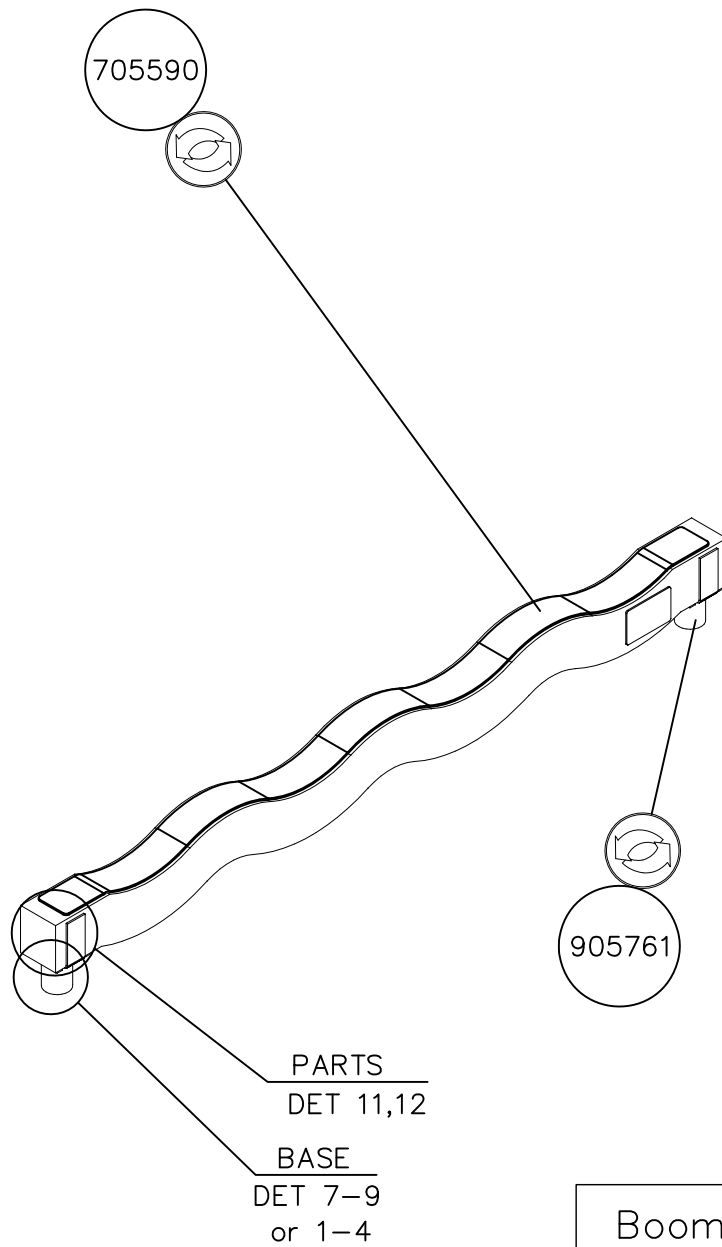
Area of Movement 15.1 m²
Training Space 3.1 m²
Max Falling Height 0 mm

1: 40





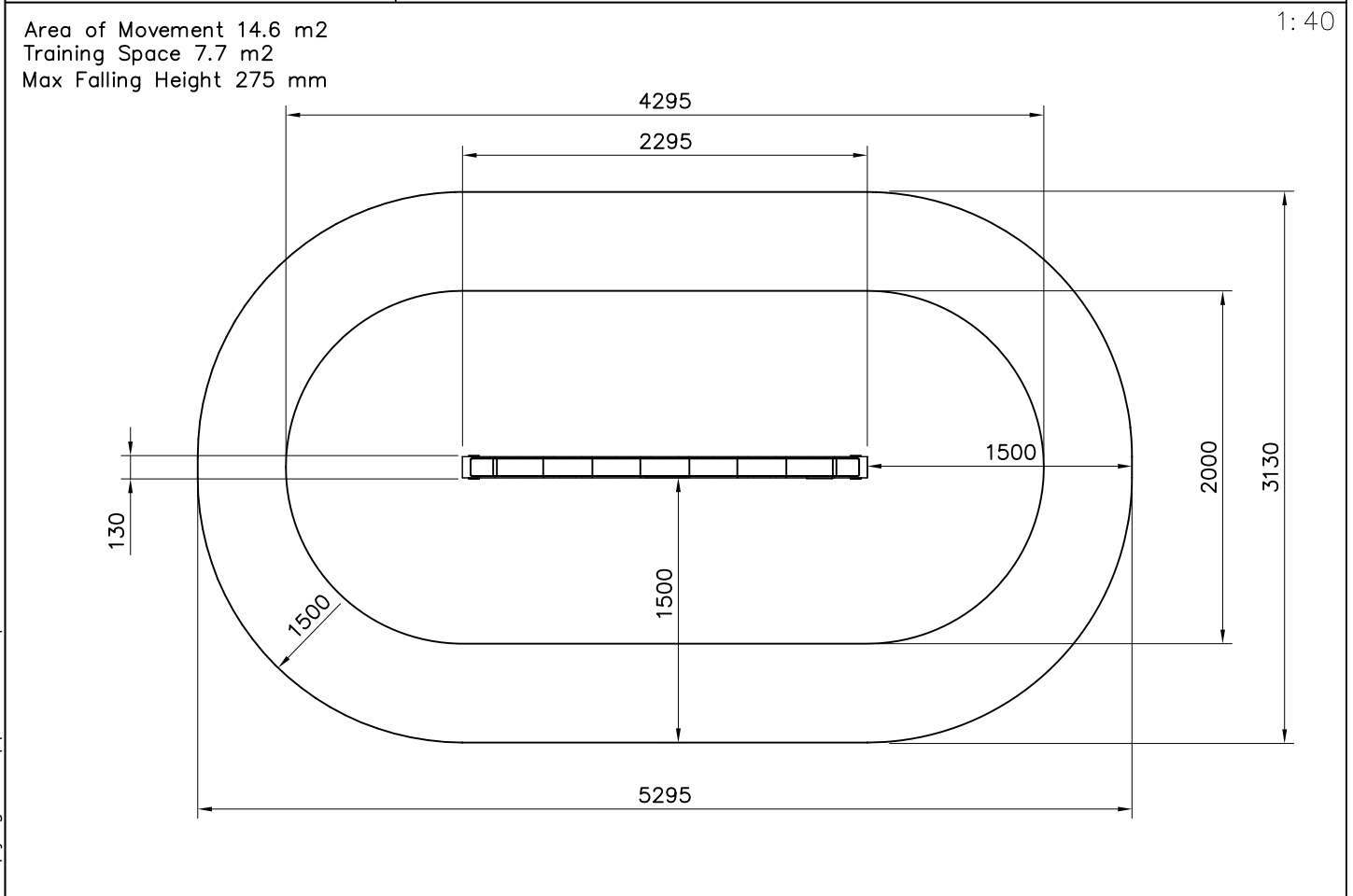
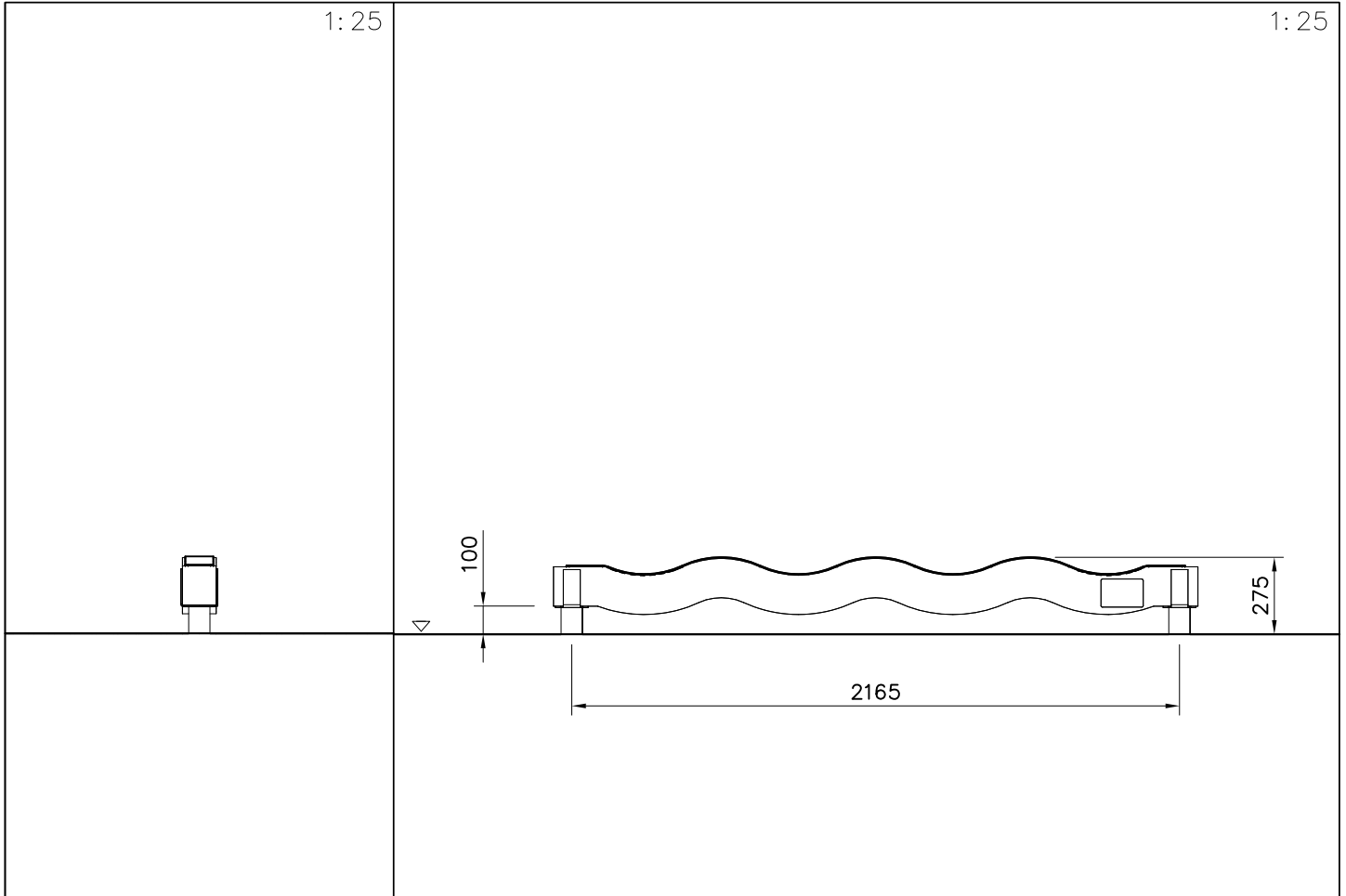
①	706043	PCS	②	705018	PCS
		1			2
				120x120x1170	
③	980123	PCS	④	980114	PCS
		16			4
	Ø7x60			Ø4x20	
⑤	905104	PCS	⑥	905761	PCS
		8			2
	M10			120x120x700	
⑦	905830	PCS	⑧	906576	PCS
		2			1
	123x123x40			1960x130x60	
⑨	980104	PCS	⑩	909256	PCS
		2			16
	Ø5x90			Ø16/8.4	
		PCS			PCS
		PCS			PCS
		PCS			PCS

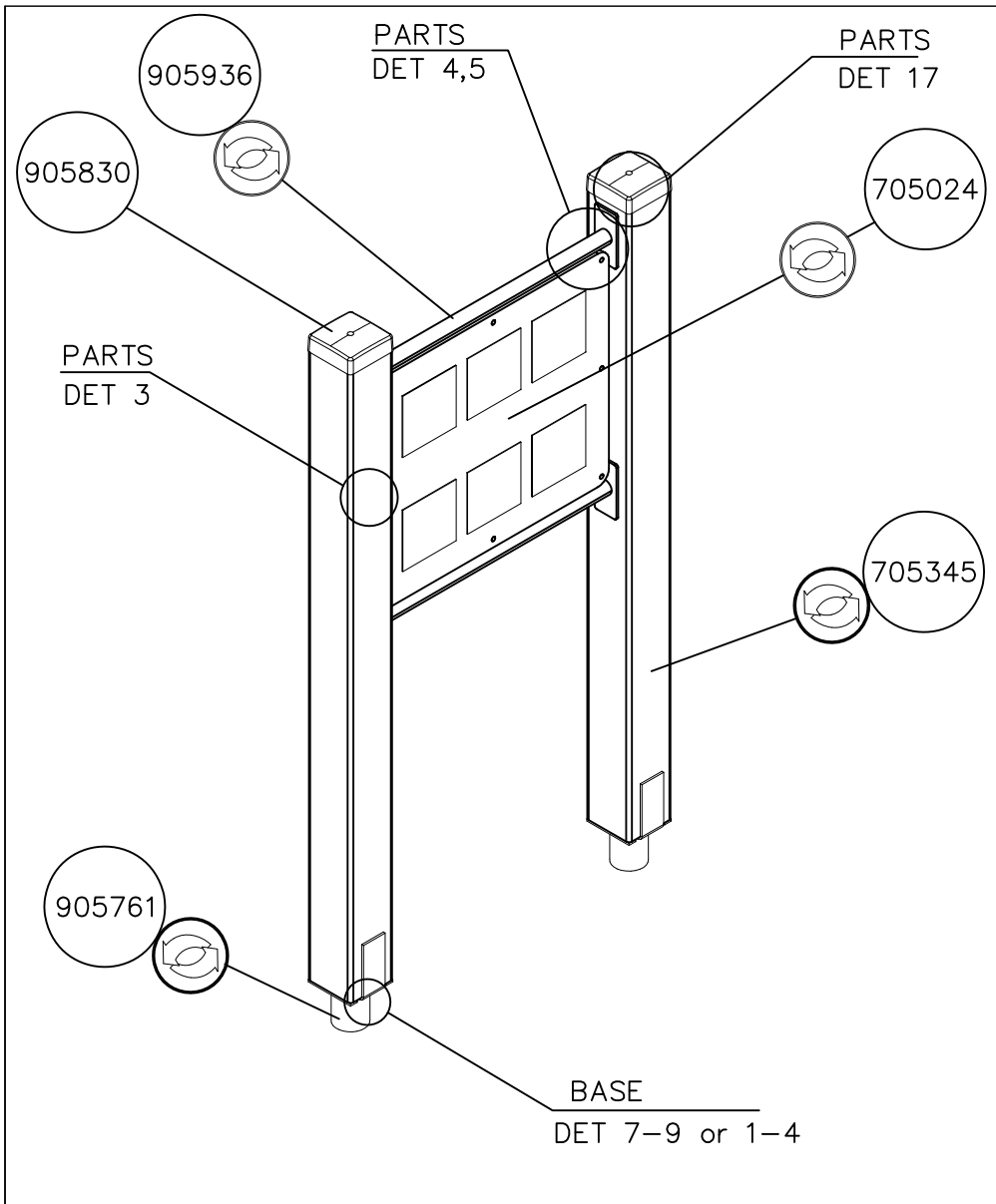


①	706041	PCS	②	705590	PCS
		1			1
				120x200x2294	
③	980114	PCS	④	905104	PCS
		4			8
	Ø4x20			M10	
⑤	905761	PCS	⑥	980123	PCS
		2			8
	120x120x700			Ø7x60	
⑦	909256	PCS			PCS
		8			
	Ø16/8.4				
		PCS			PCS
		PCS			PCS

Boom options:

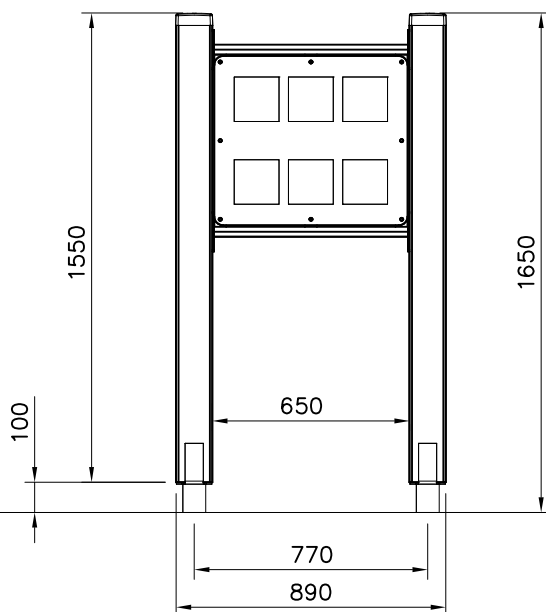
	705590-602	Dark Brown
	705590-603	Light Brown
	705590-604	Gray
120x200x2294		





① 705024	PCS	② 705345	PCS
	1		2
15x640x560		120x120x1520	
③ 909633	PCS	④ 905104	PCS
	8		8
M8		M10	
⑤ 905761	PCS	⑥ 905830	PCS
	2		2
120x120x700		123x123x40	
⑦ 905936	PCS	⑧ 909256	PCS
	2		32
L=652		Ø16/8.4x1.6	
⑨ 909855	PCS	⑩ 980104	PCS
	8		2
M8x35		Ø5x90	
⑪ 980123	PCS		PCS
	20		
Ø7x60			
⑫ 901899	PCS		PCS
Optio	8		
M8x45			
Not Included	PCS		PCS
640x560			

1: 25



												
<p>$h < 600$</p> <p>Without movement and therefore without Impact Area</p>	<p>Totally hard surfaces.</p> <p>Note. Lappset does <u>not recommend</u> totally hard surfaces at all.</p>	<p>E.g. concrete or asphalt</p> 										
<p>$h < 600$</p> <p>With movement e.g. rocking</p>	<p>Materials with very limited impact attenuating properties.</p>	<p>E.g. wood</p> 										
<p>$h < 1000$</p>	<p>Materials with significant impact attenuating properties.</p>	<p>fine gravel 0–8 mm</p>  <p>grass</p>  <p>unsorted sand</p> 										
<p>$h < 3000$</p>	<p>Loose fill material</p> <p>E.g. sand/gravel 0,25...8 mm D60/D10<3,0 Woodchips 5...30 mm bark 20...80 mm</p>	 <table data-bbox="1024 1691 1332 1792"> <tr> <td>\underline{S}</td> <td>\underline{h}</td> </tr> <tr> <td>30 cm</td> <td>< 2,0 m</td> </tr> <tr> <td>40 cm</td> <td>< 3,0 m</td> </tr> </table>	\underline{S}	\underline{h}	30 cm	< 2,0 m	40 cm	< 3,0 m				
\underline{S}	\underline{h}											
30 cm	< 2,0 m											
40 cm	< 3,0 m											
	<p>Syntethic granulates</p> <table data-bbox="406 1892 758 2060"> <tr> <td>\underline{S}</td> <td>\underline{h}</td> </tr> <tr> <td>40 mm</td> <td>~> 1,2...1,3 m</td> </tr> <tr> <td>50 mm</td> <td>~> 1,5...1,7 m</td> </tr> <tr> <td>60 mm</td> <td>~> 1,8...2,0 m</td> </tr> <tr> <td>70 mm</td> <td>~> 2,1...2,5 m</td> </tr> </table> <p>Note. For accurate values, see manufacturer's instructions.</p>	\underline{S}	\underline{h}	40 mm	~> 1,2...1,3 m	50 mm	~> 1,5...1,7 m	60 mm	~> 1,8...2,0 m	70 mm	~> 2,1...2,5 m	
\underline{S}	\underline{h}											
40 mm	~> 1,2...1,3 m											
50 mm	~> 1,5...1,7 m											
60 mm	~> 1,8...2,0 m											
70 mm	~> 2,1...2,5 m											

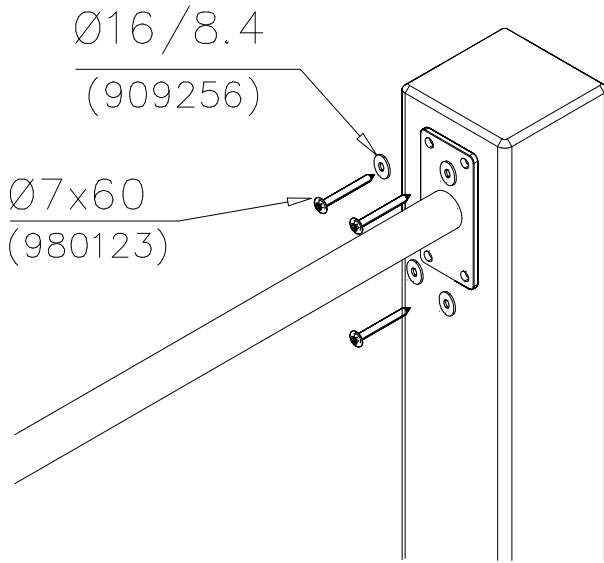
REMOVE SAFETY SURFACE/SAND/GRAVEL
TO CHECK FOUNDATION



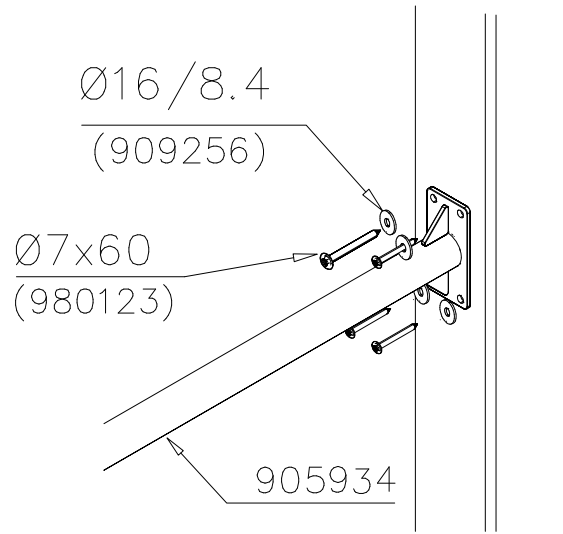
REMOVE SAFETY SURFACE/SAND/GRAVEL
TO CHECK FOUNDATION



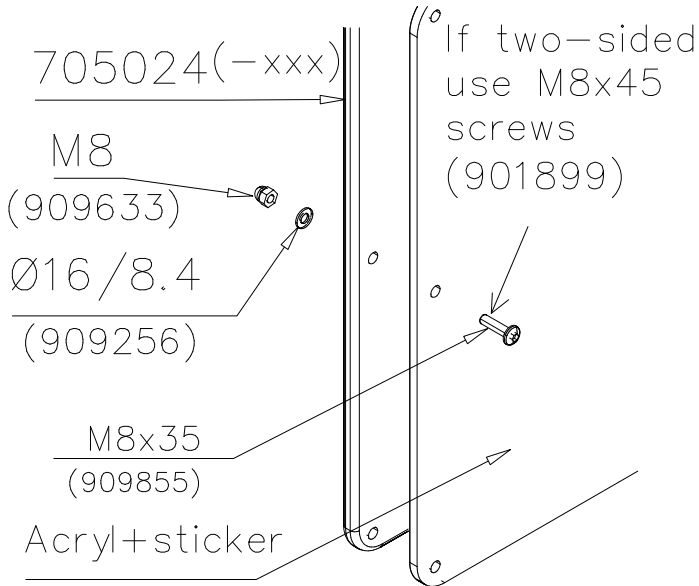
DET 1



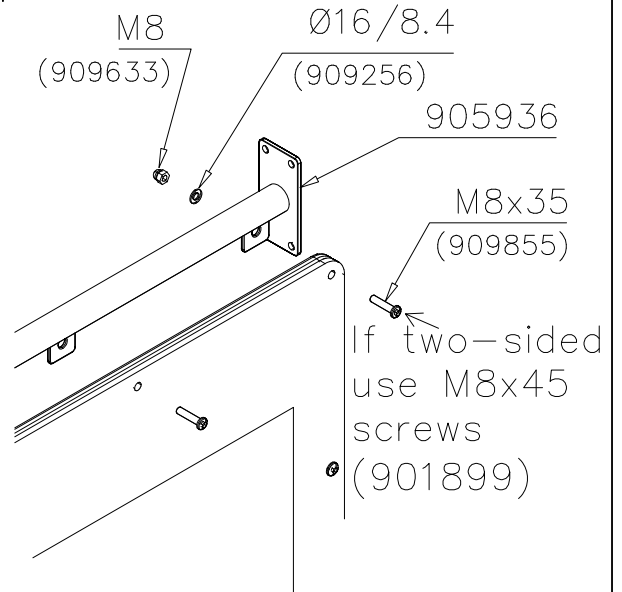
DET 2



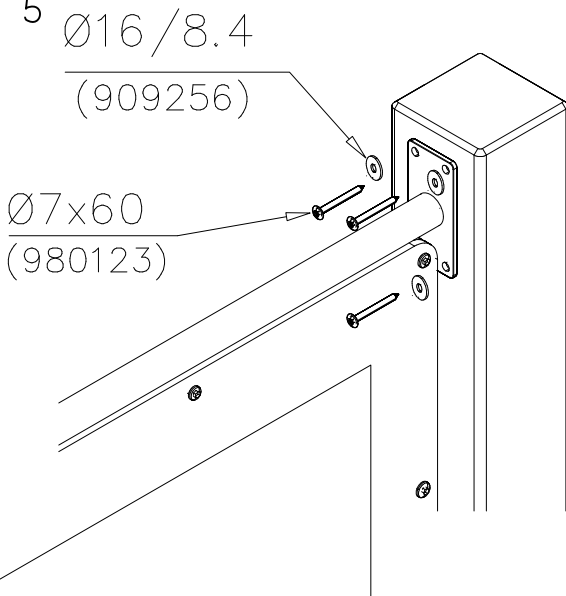
DET 3



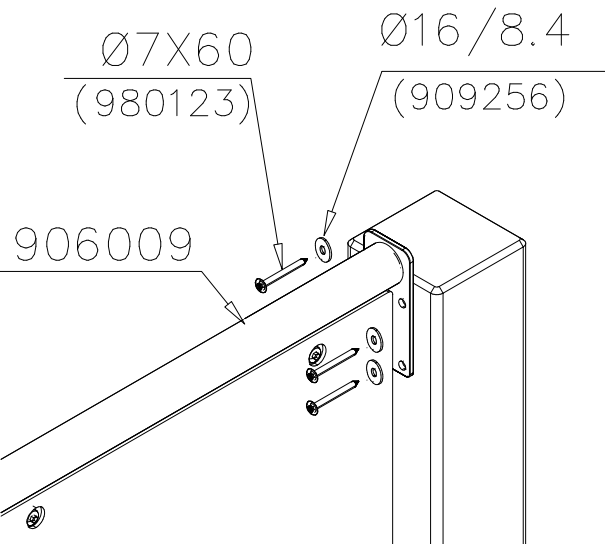
DET 4

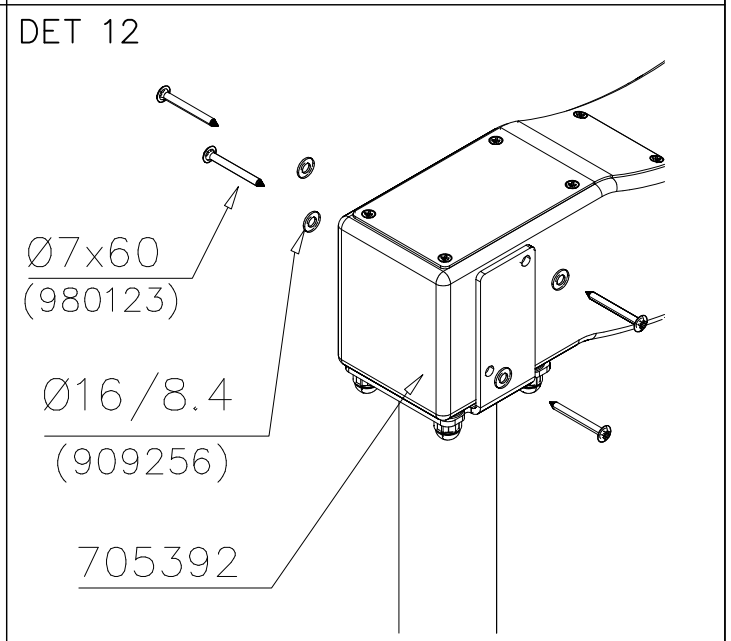
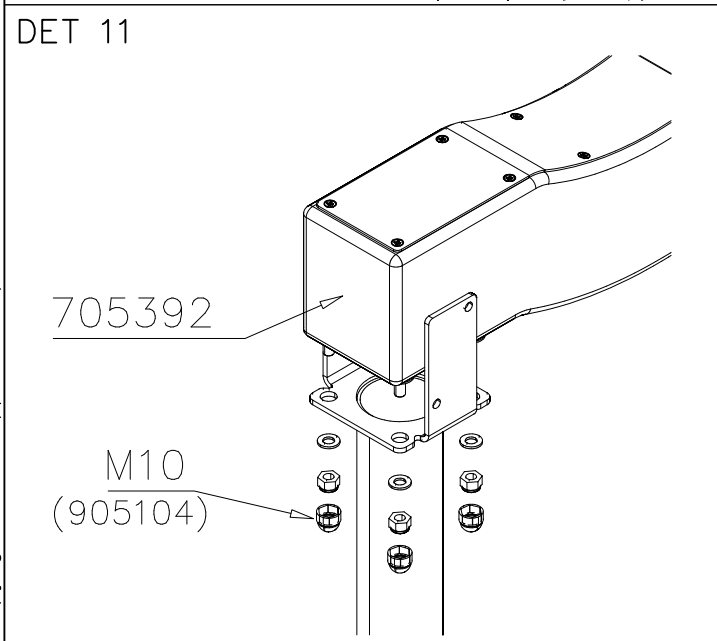
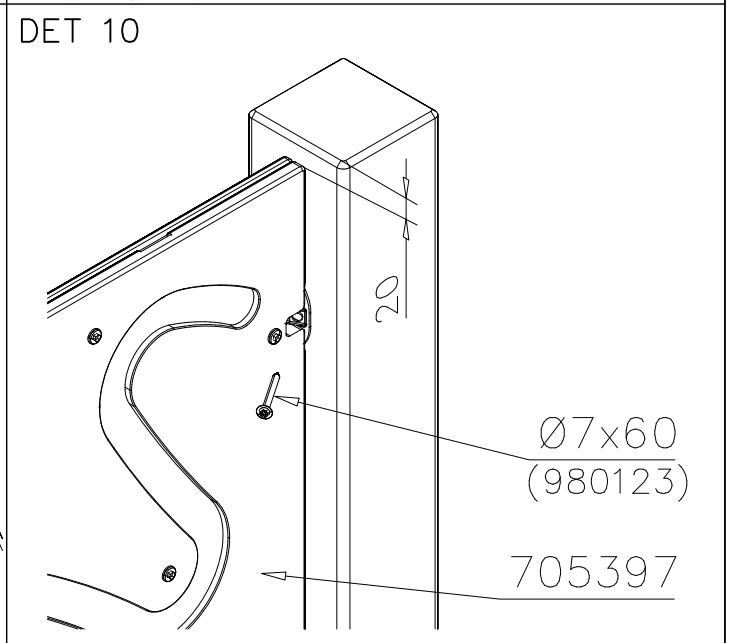
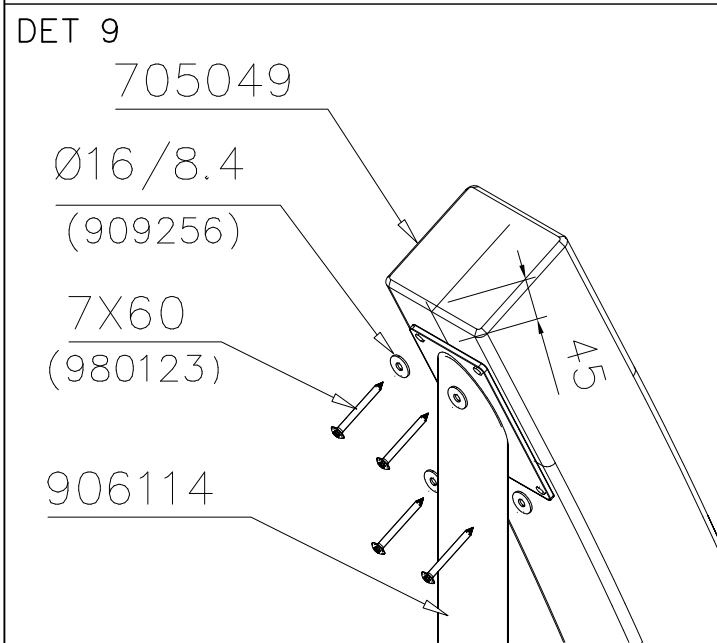
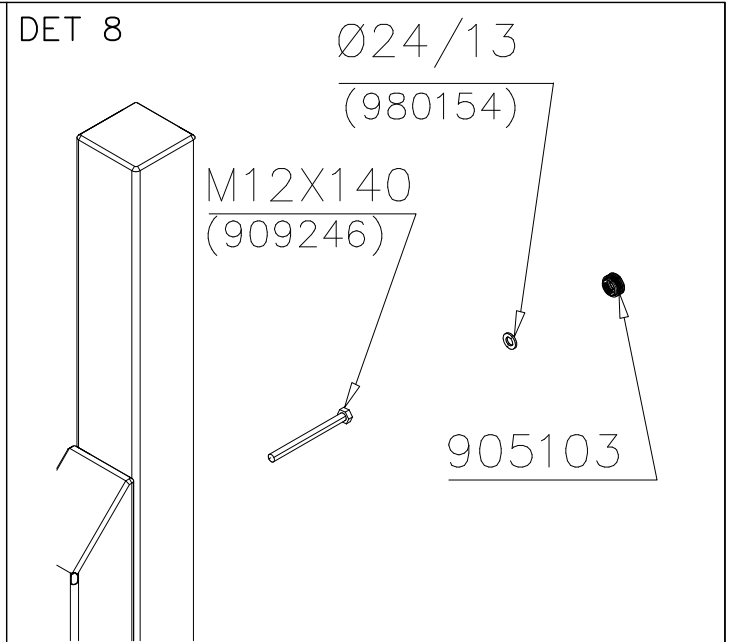
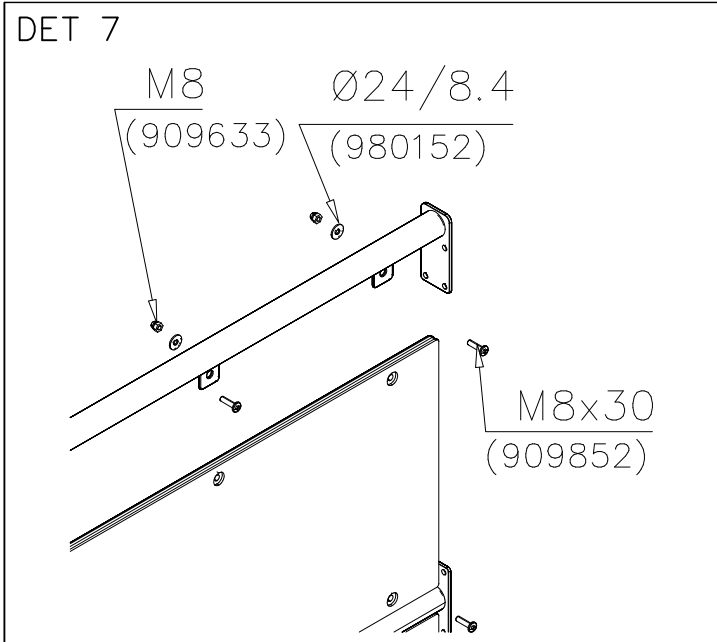


DET 5

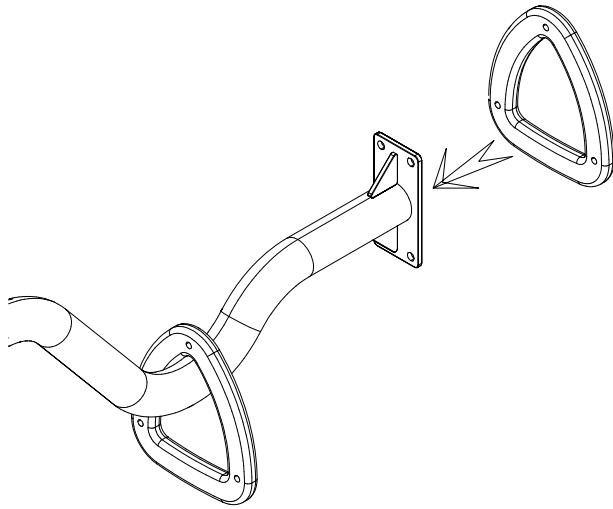


DET 6

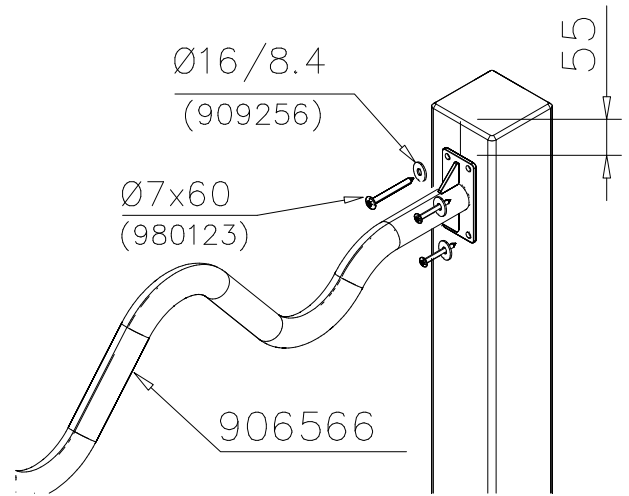




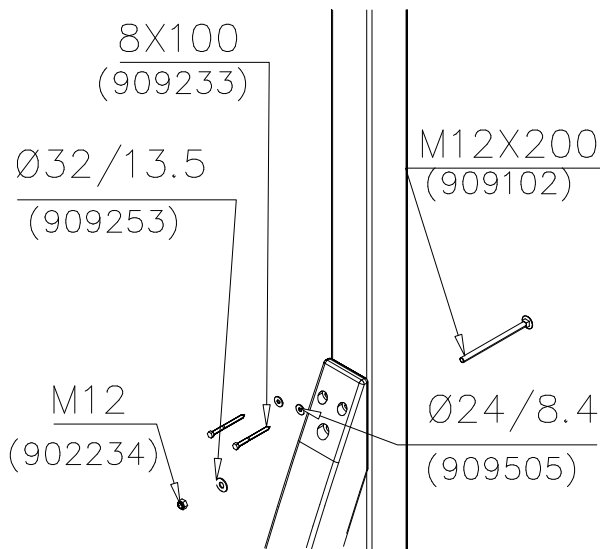
DET 13



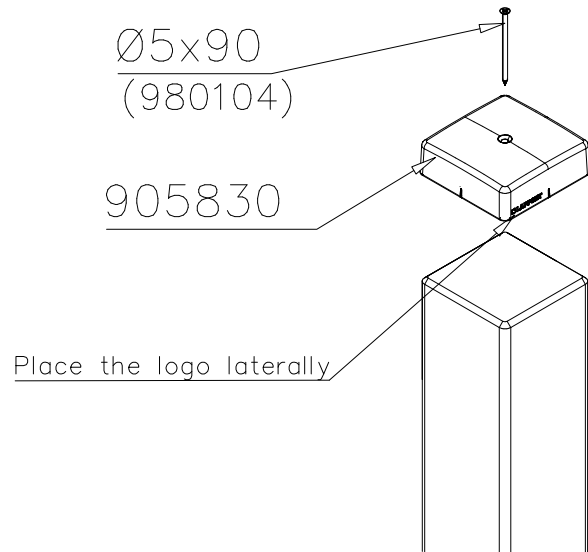
DET 14



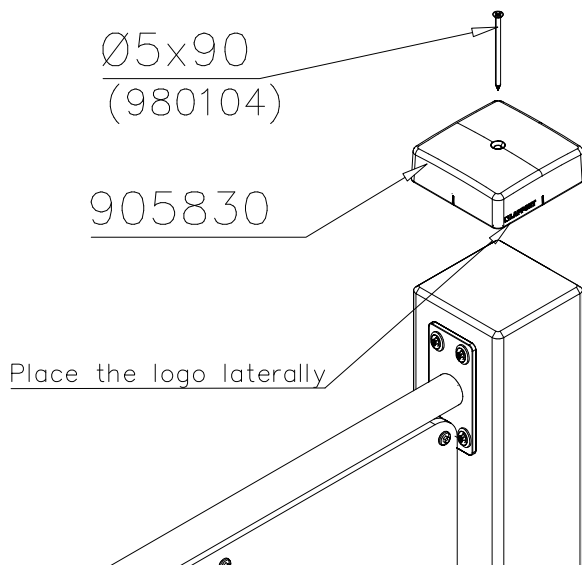
DET 15



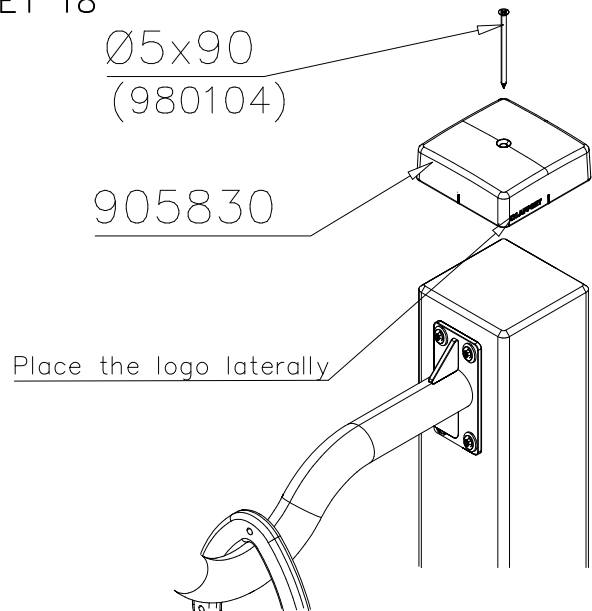
DET 16

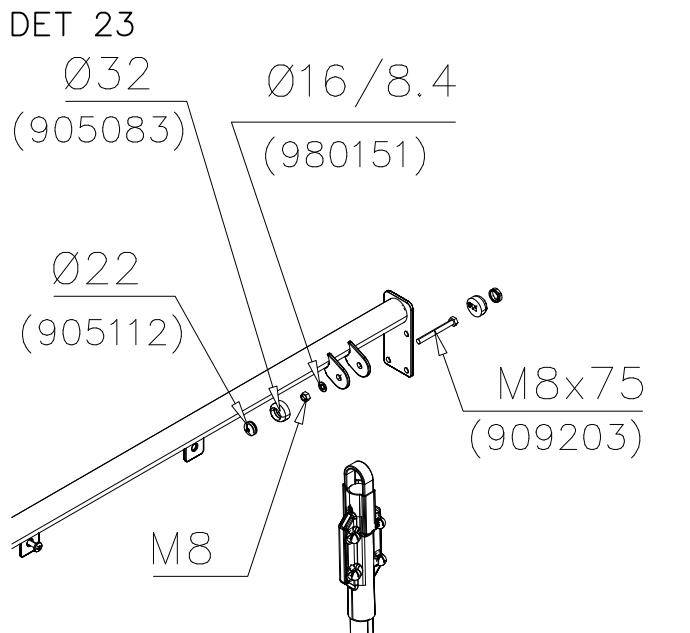
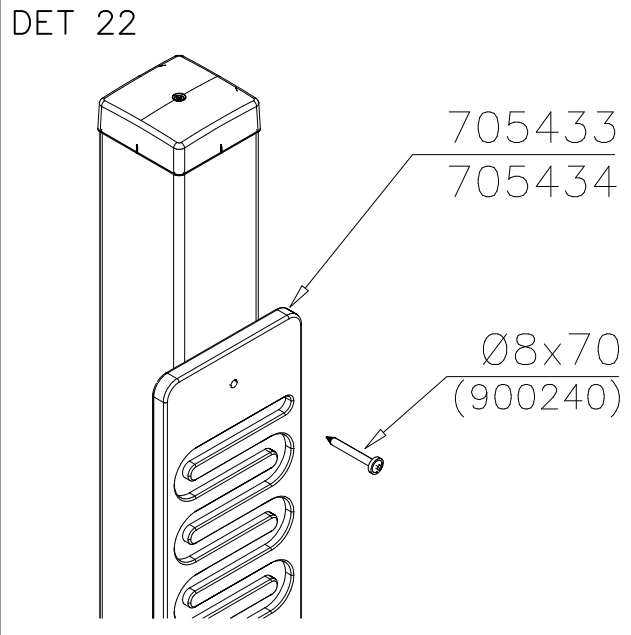
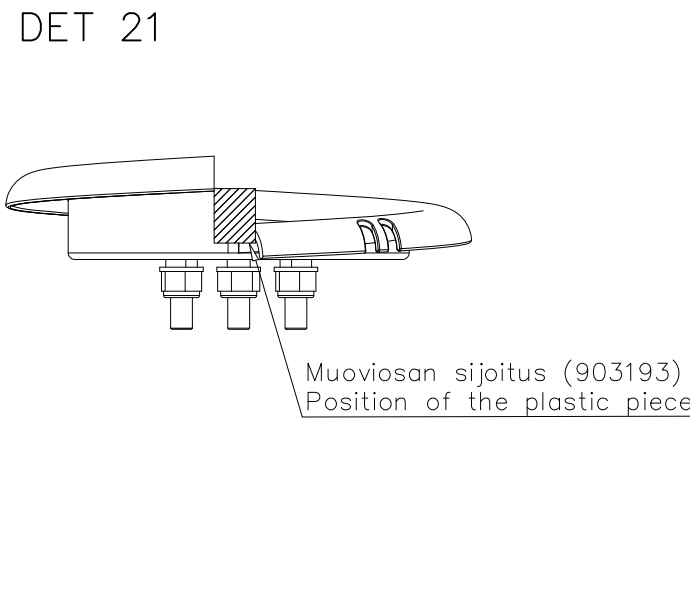
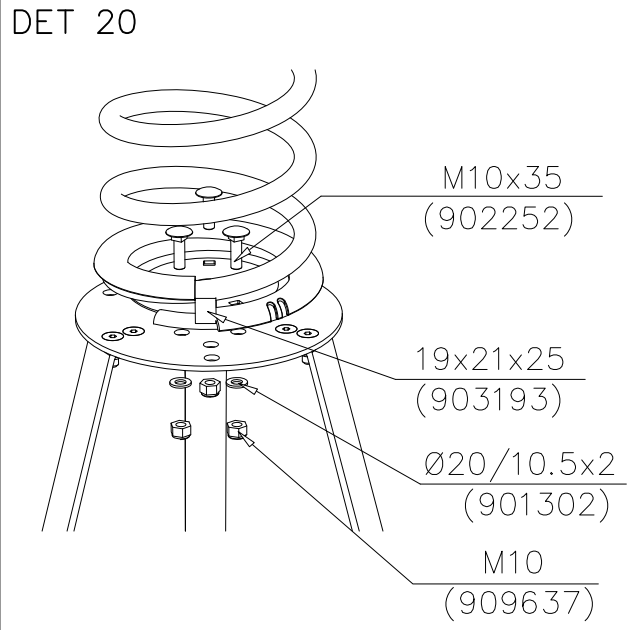
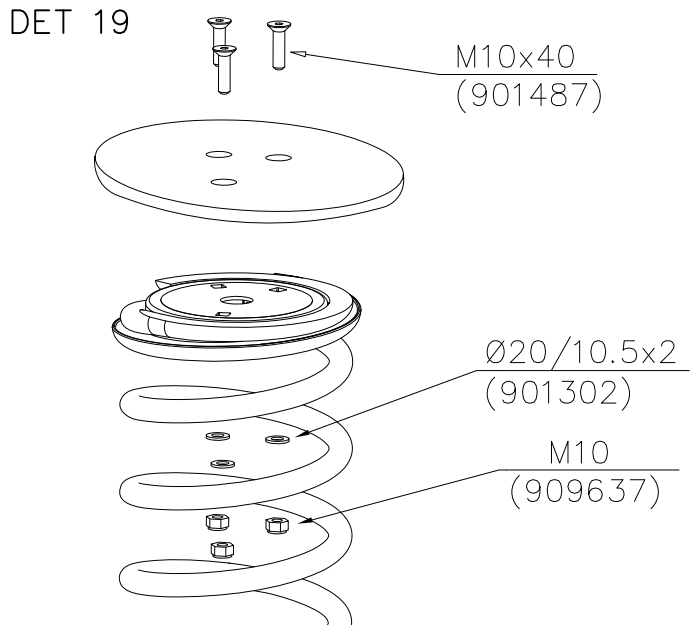


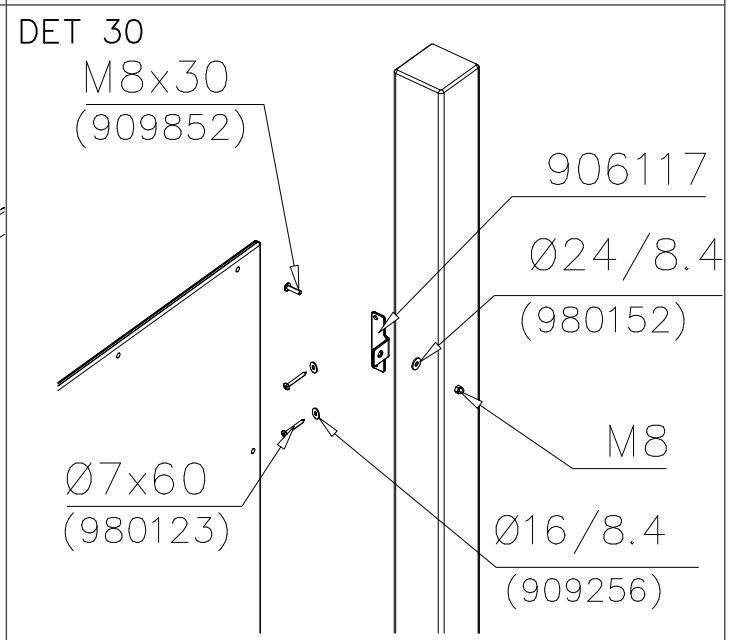
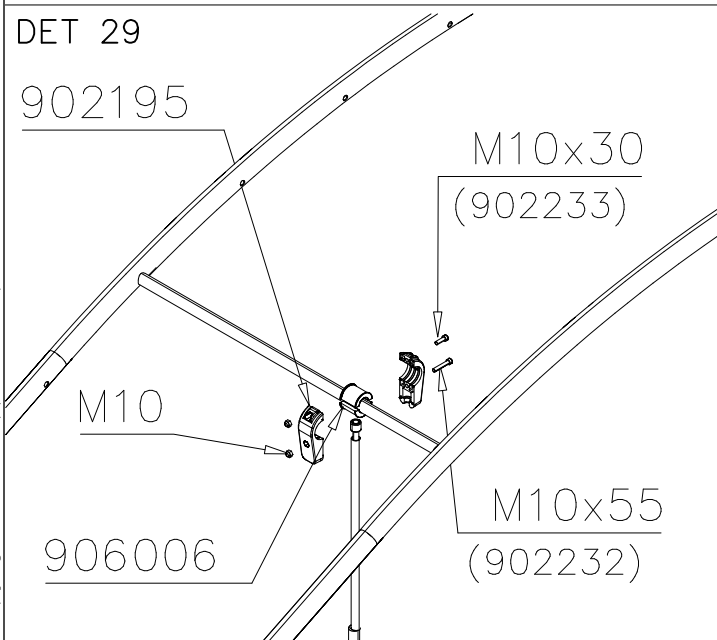
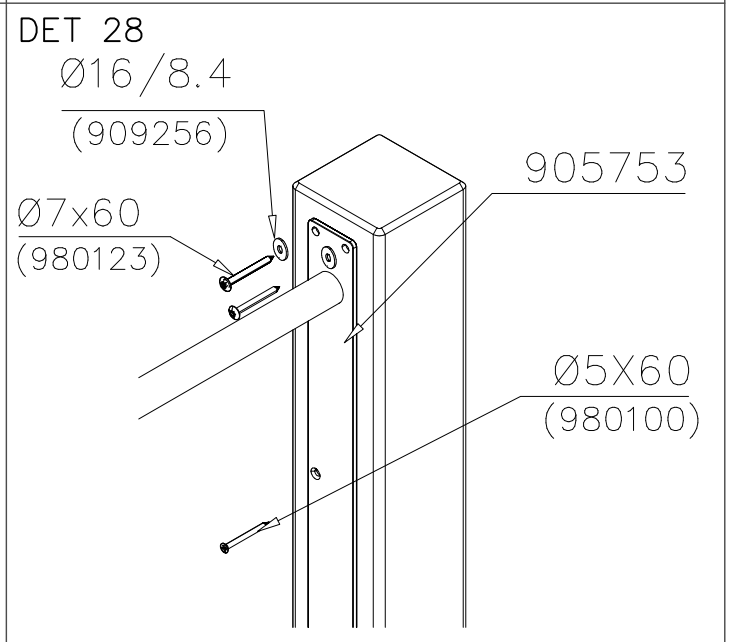
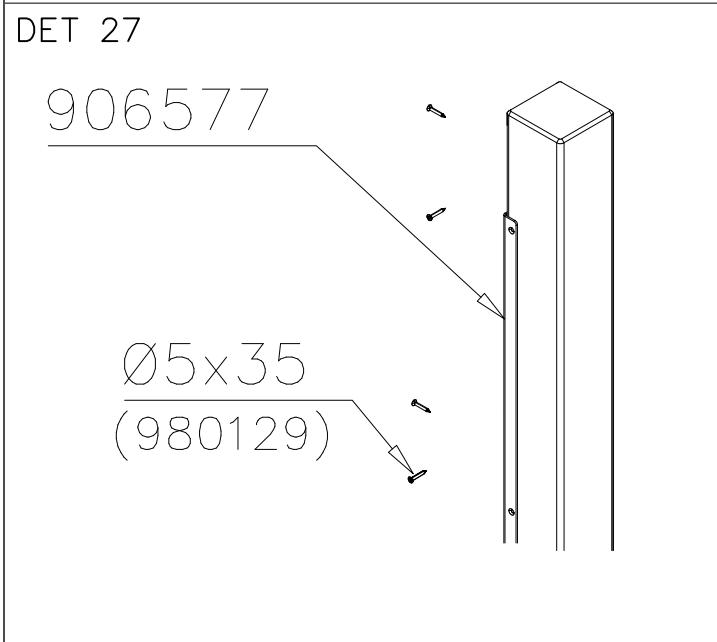
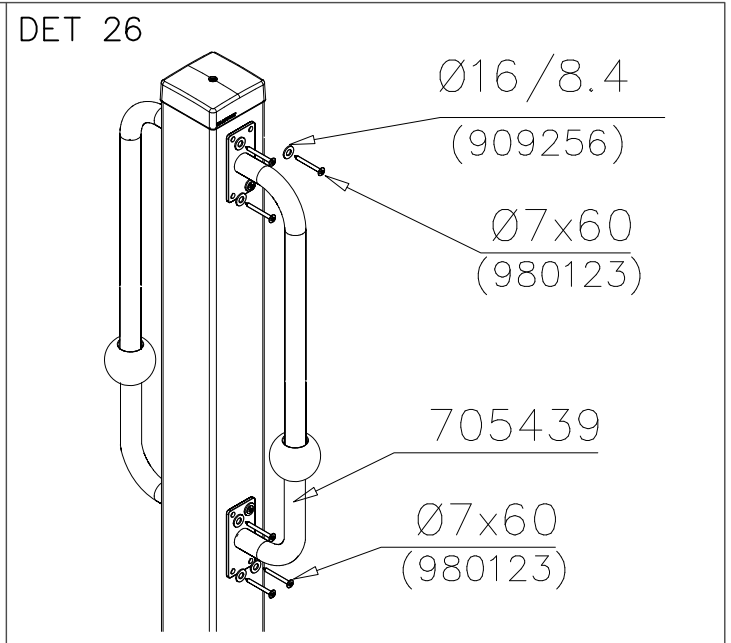
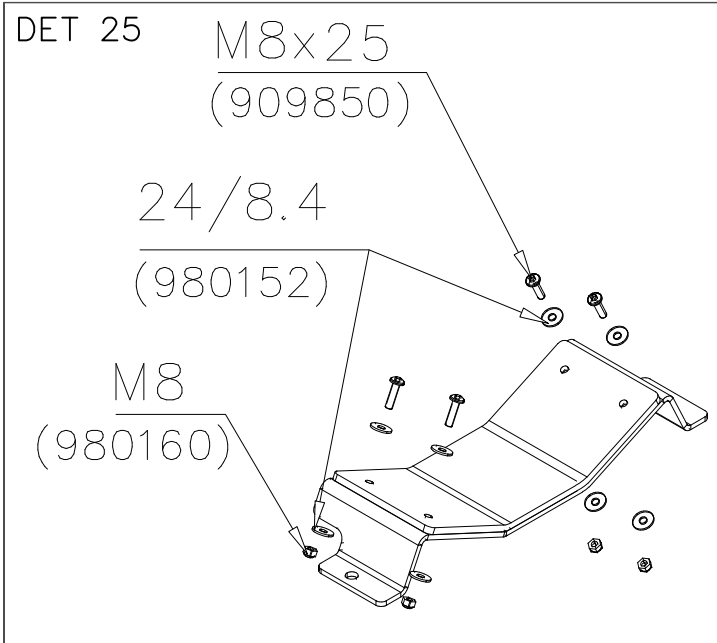
DET 17



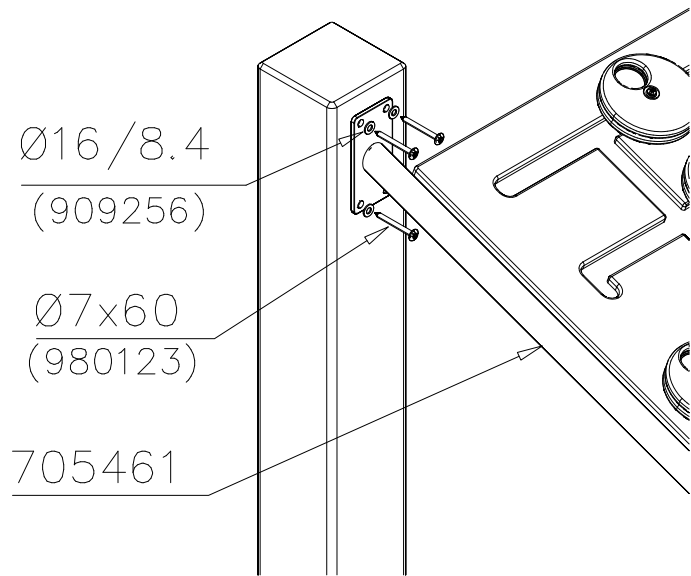
DET 18



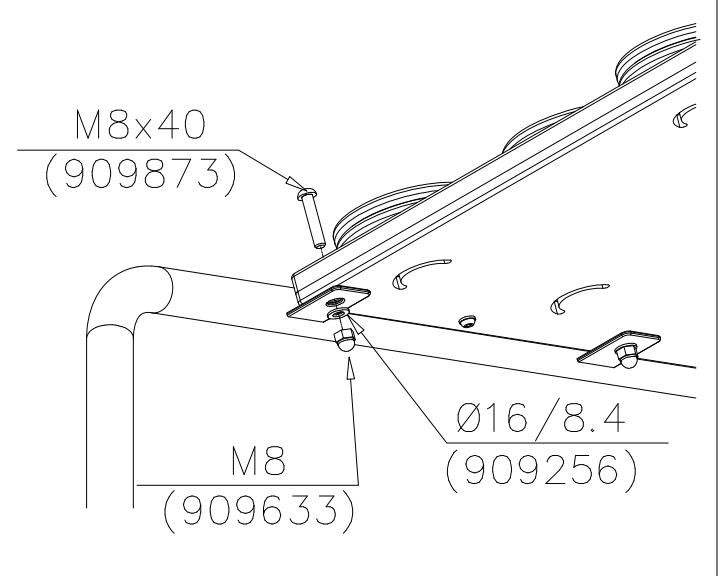




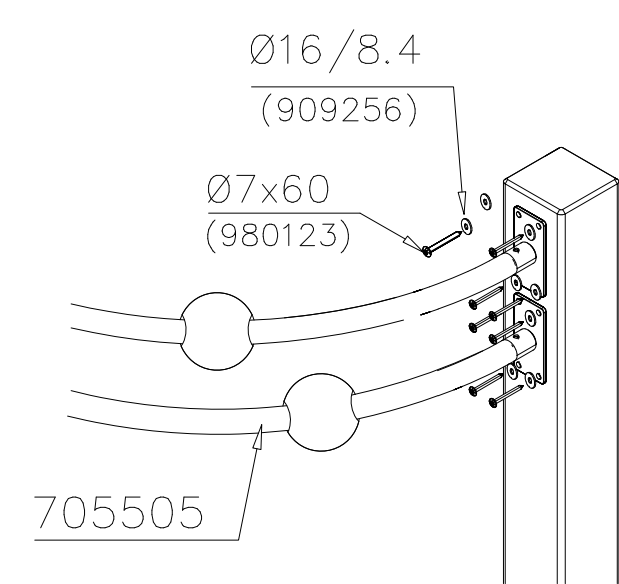
DET 31



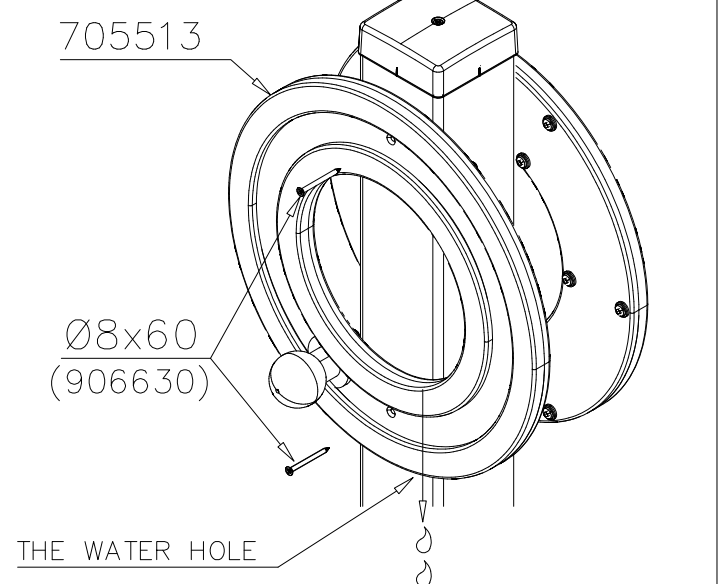
DET 32



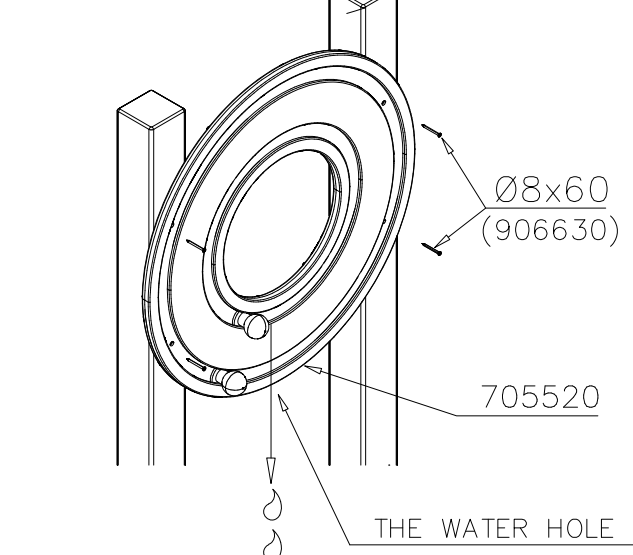
DET 33



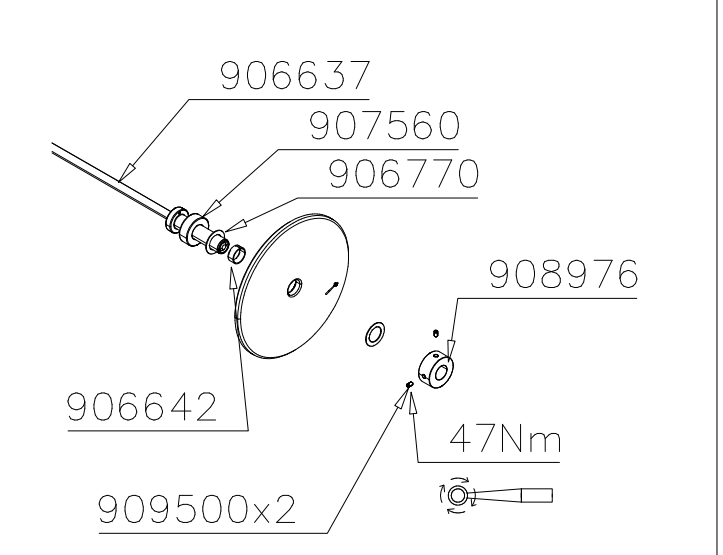
DET 34



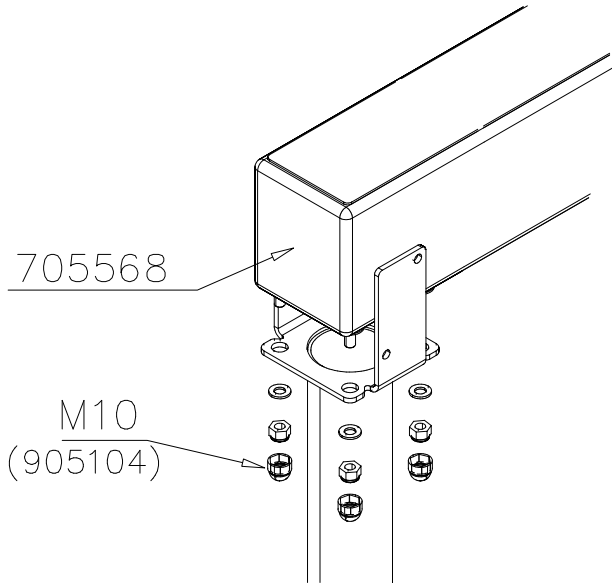
DET 35



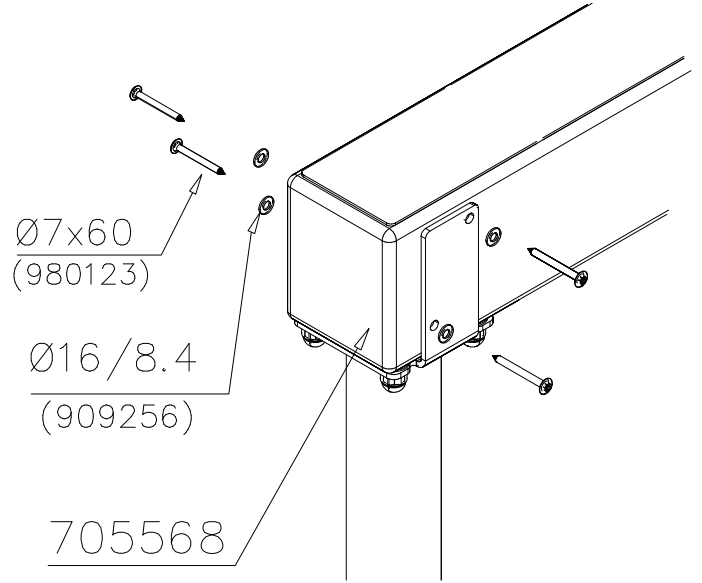
DET 36



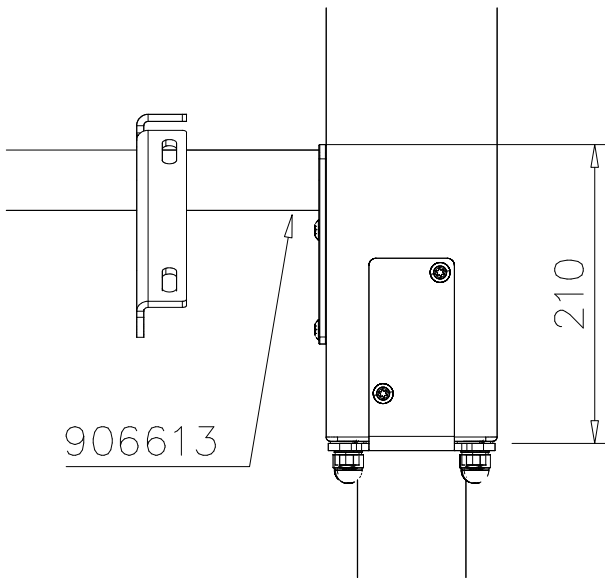
DET 37



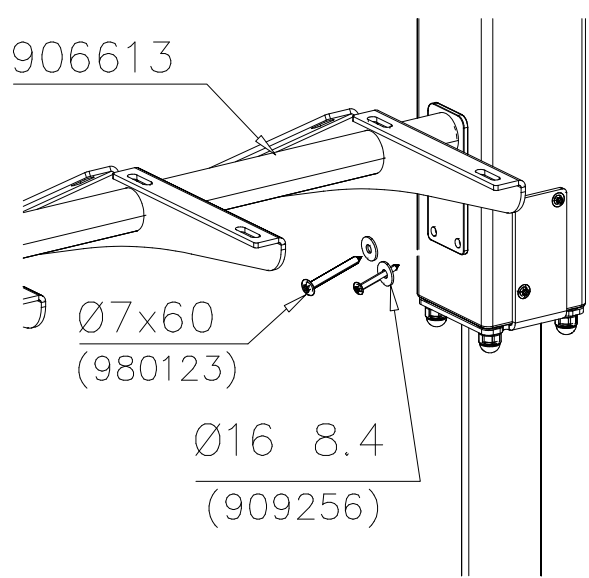
DET 38



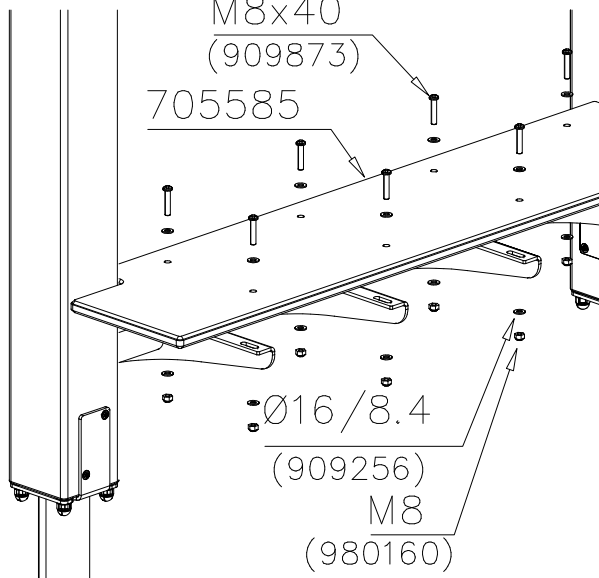
DET 39



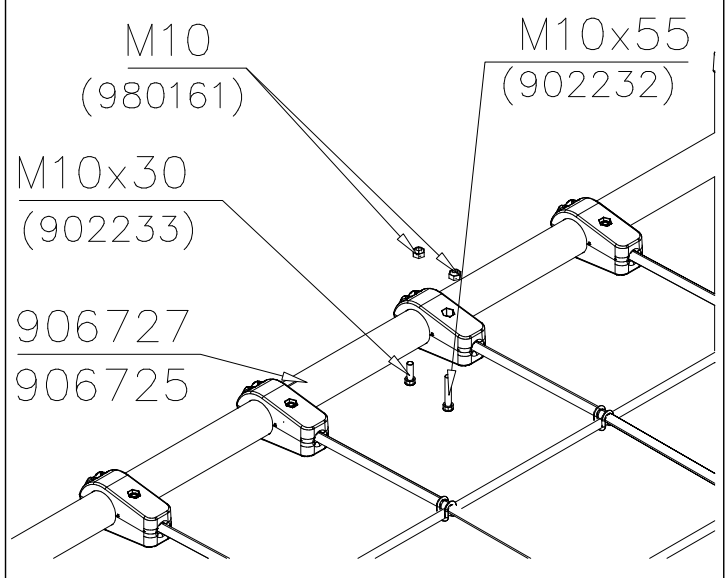
DET 40

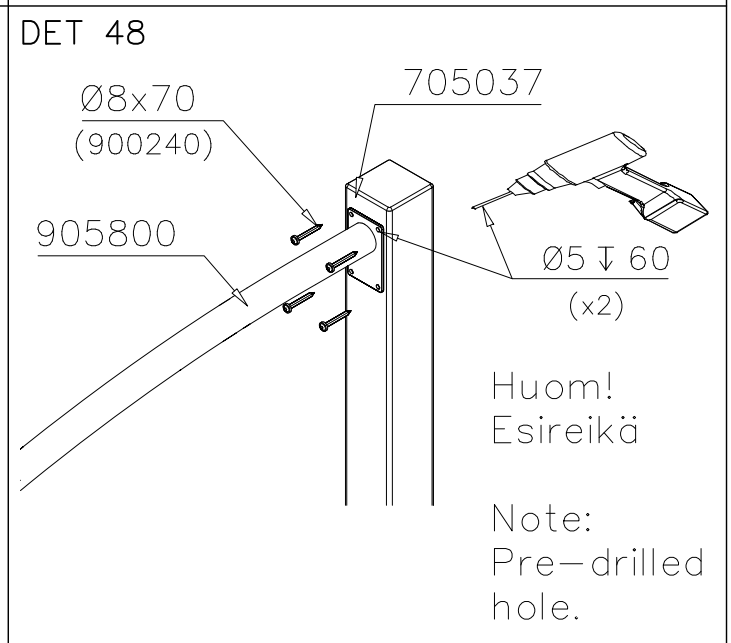
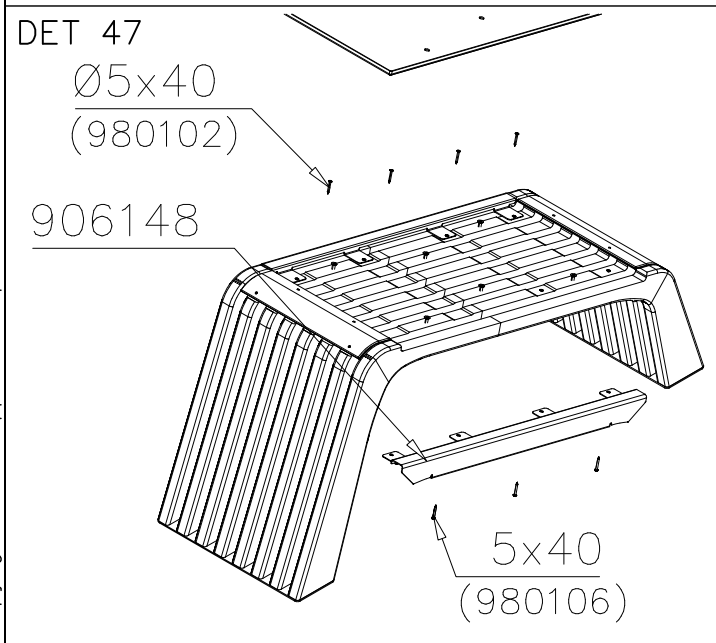
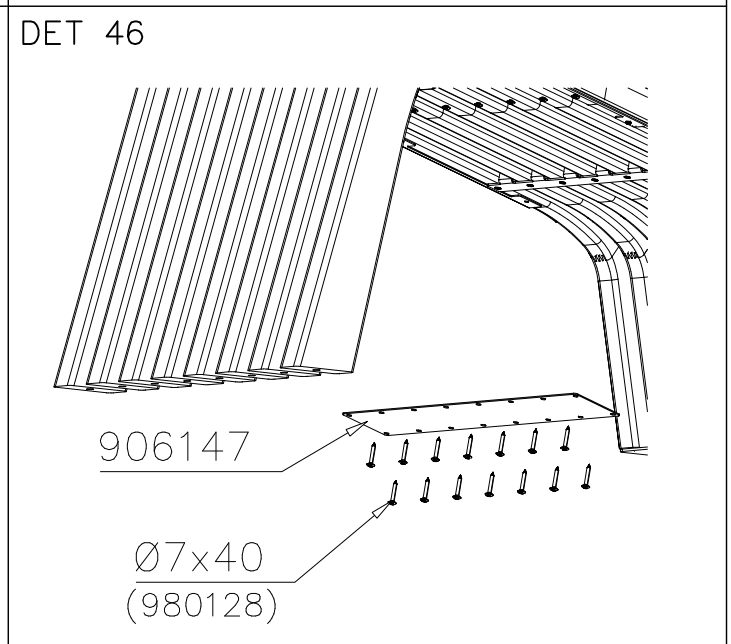
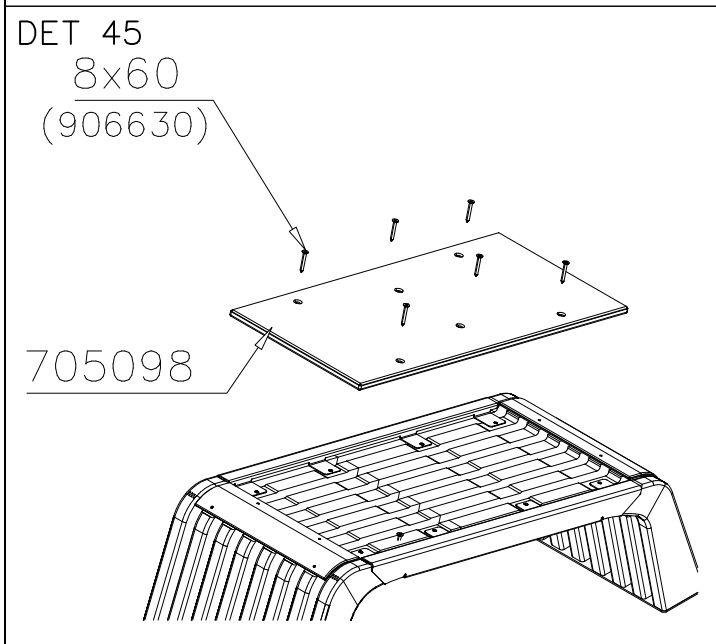
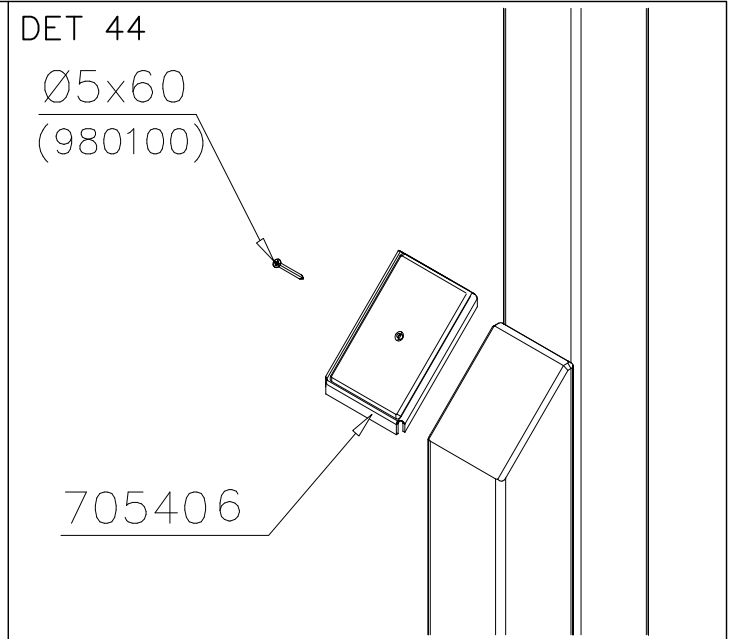
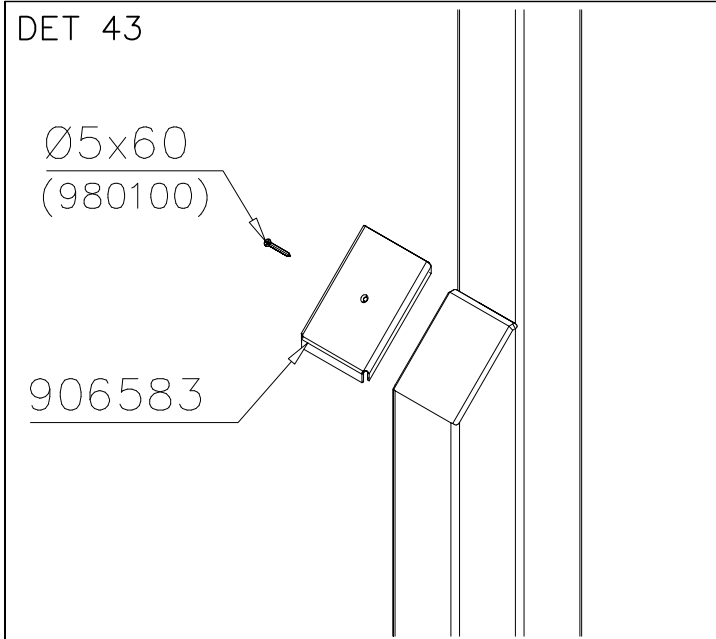


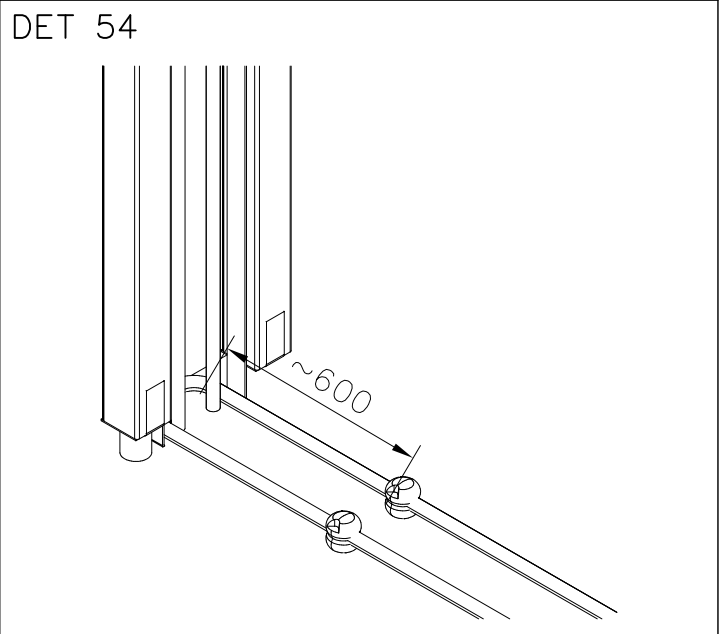
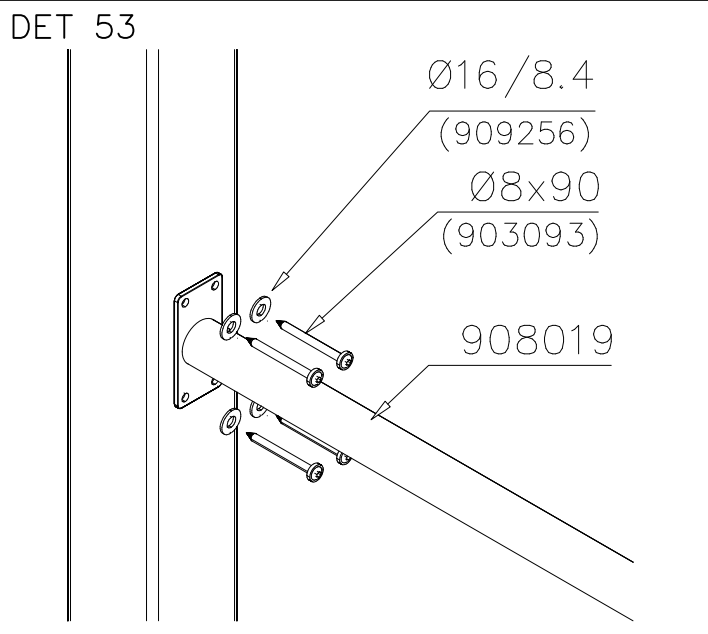
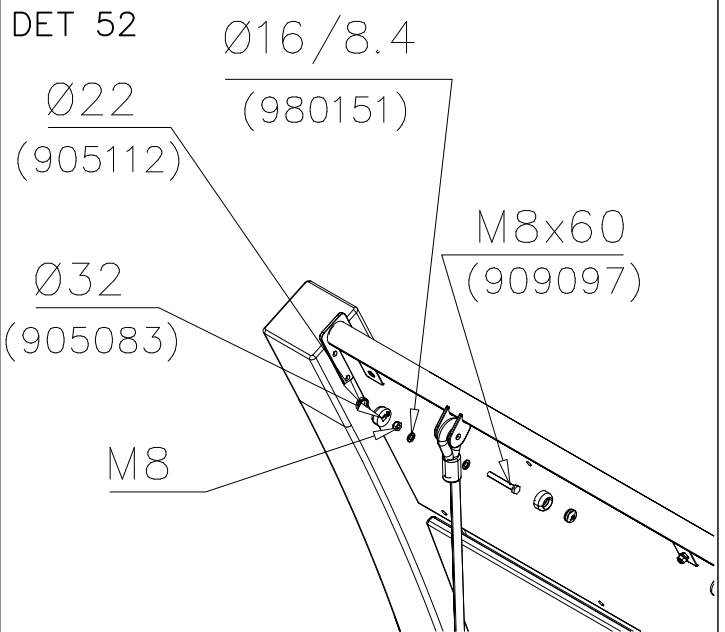
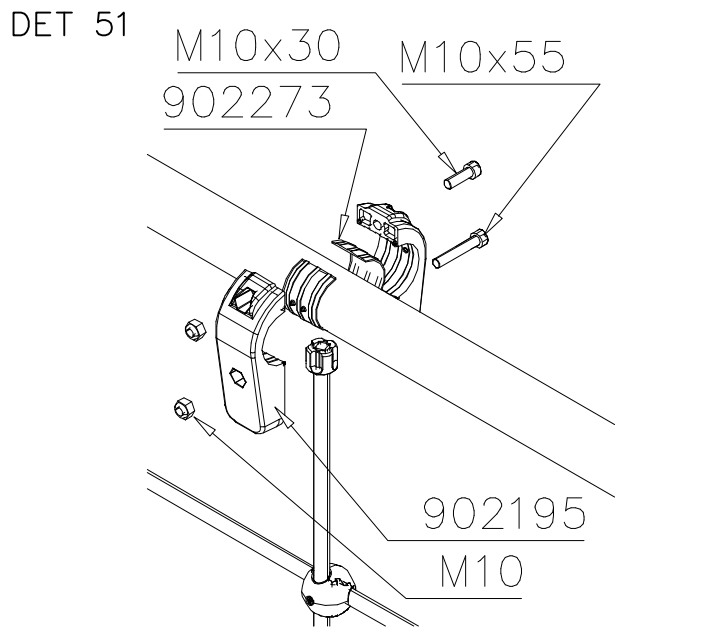
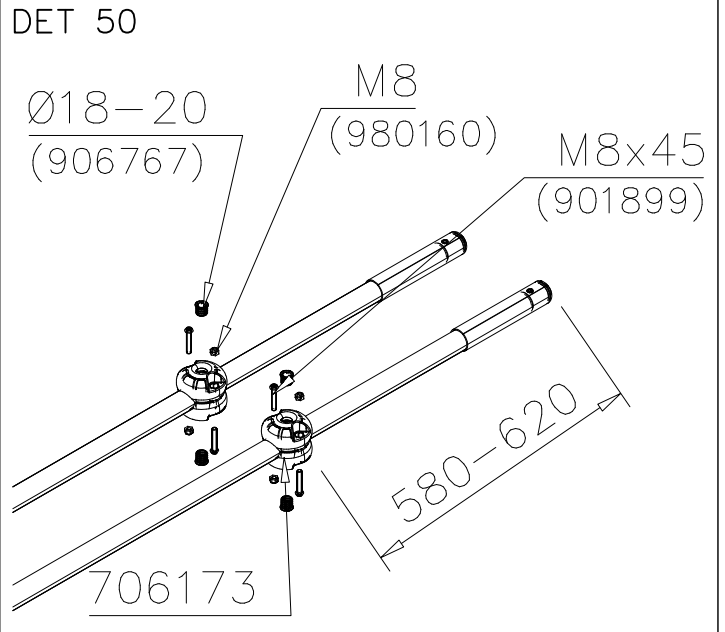
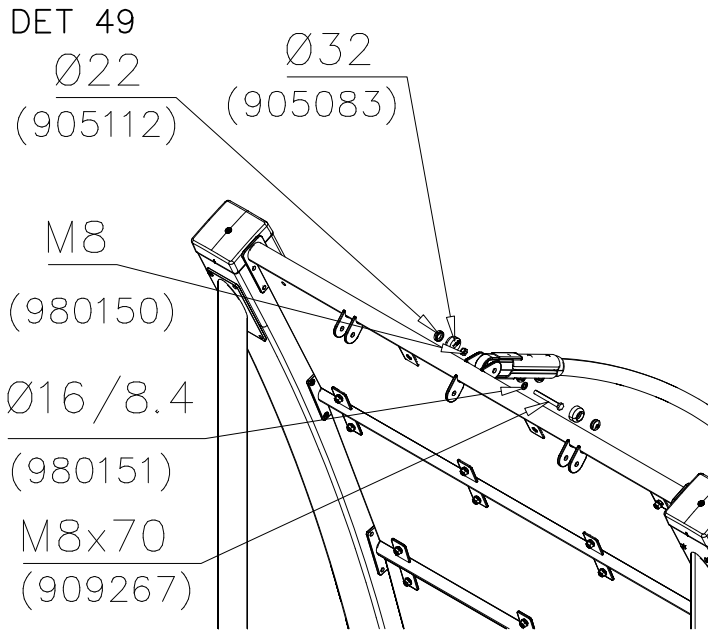
DET 41



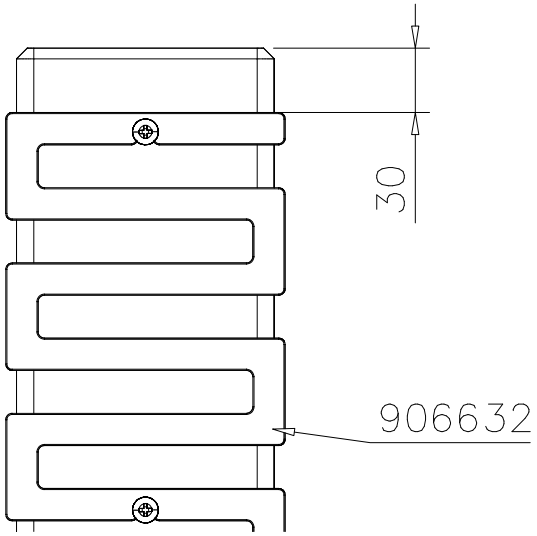
DET 42



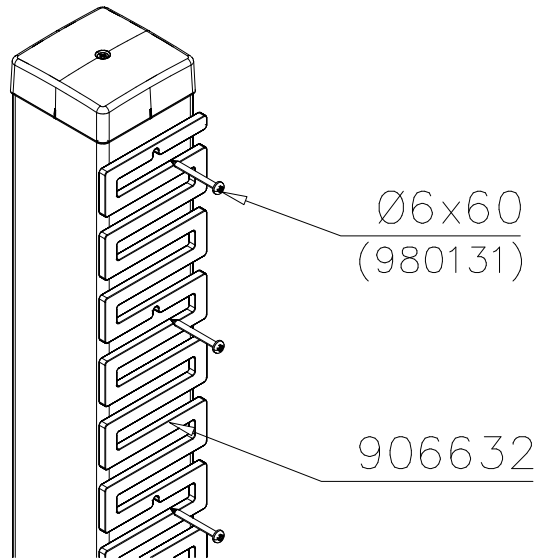




DET 55



DET 56



DET 57

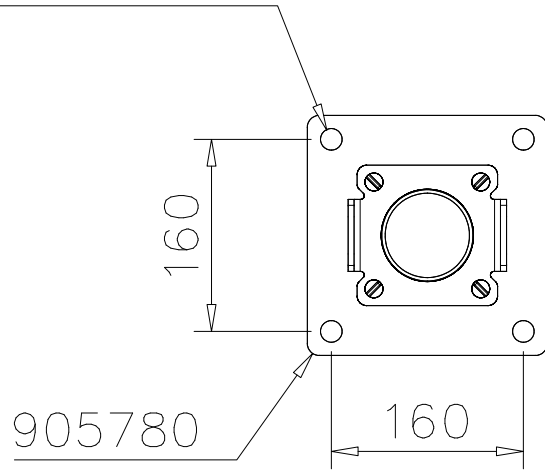
DET 58

DET 59

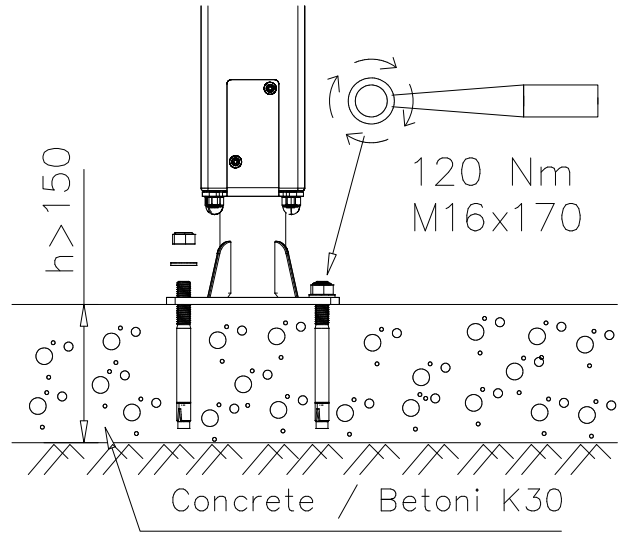
DET 60

DET 1

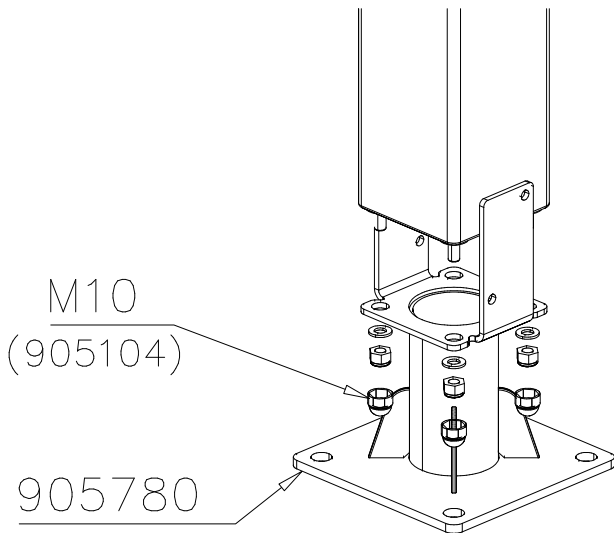
$\varnothing 16 \downarrow > 130$



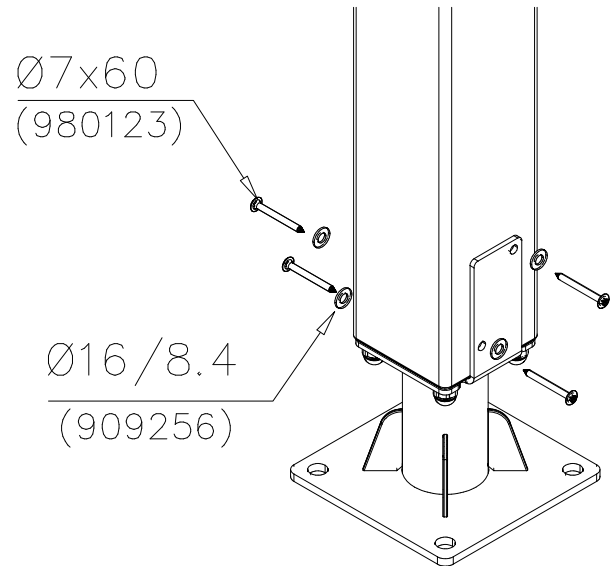
DET 2



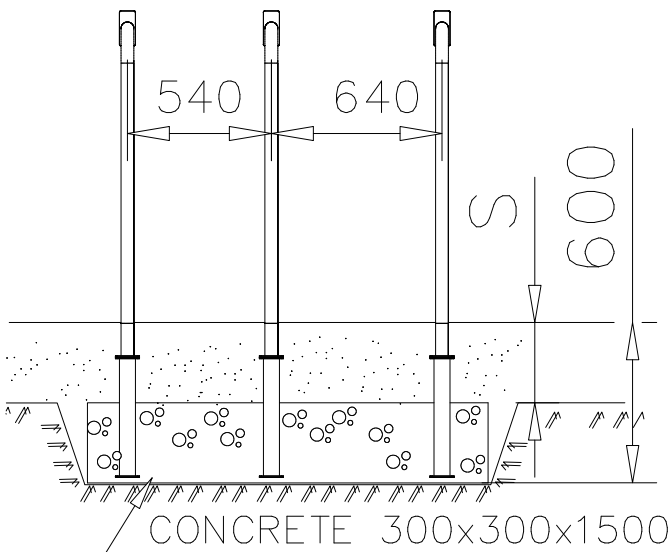
DET 3



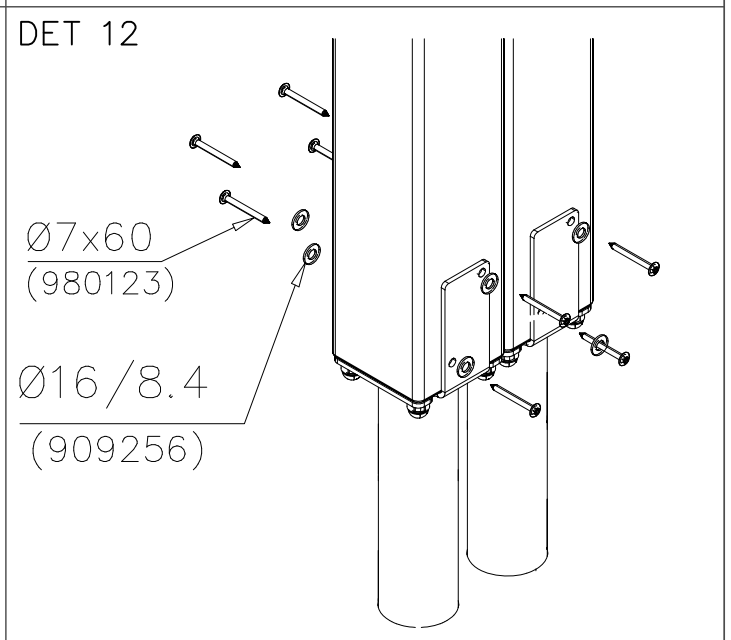
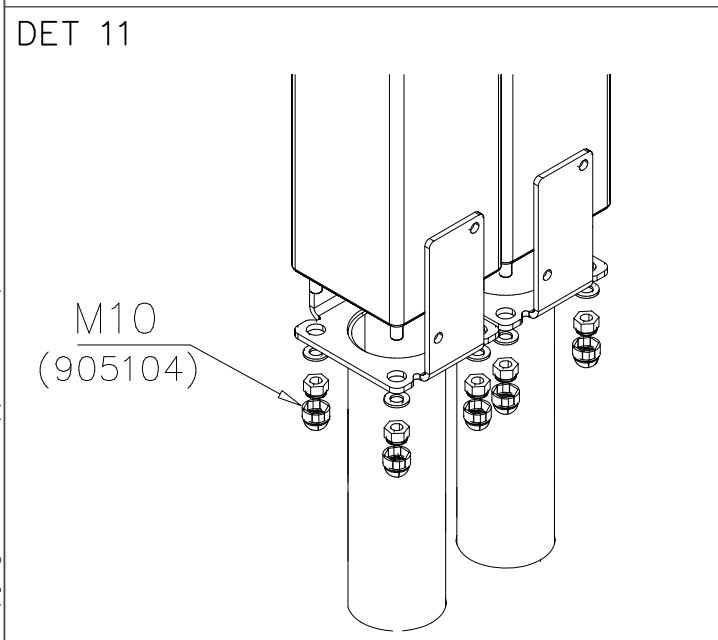
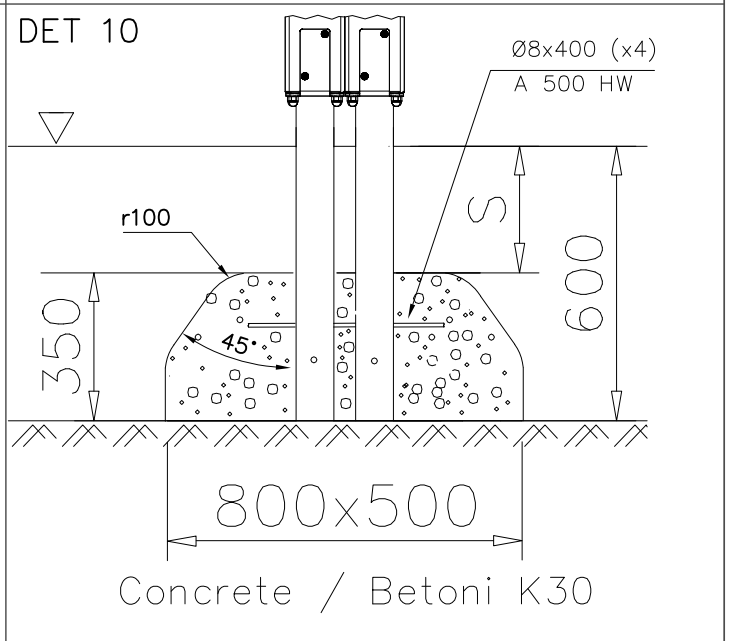
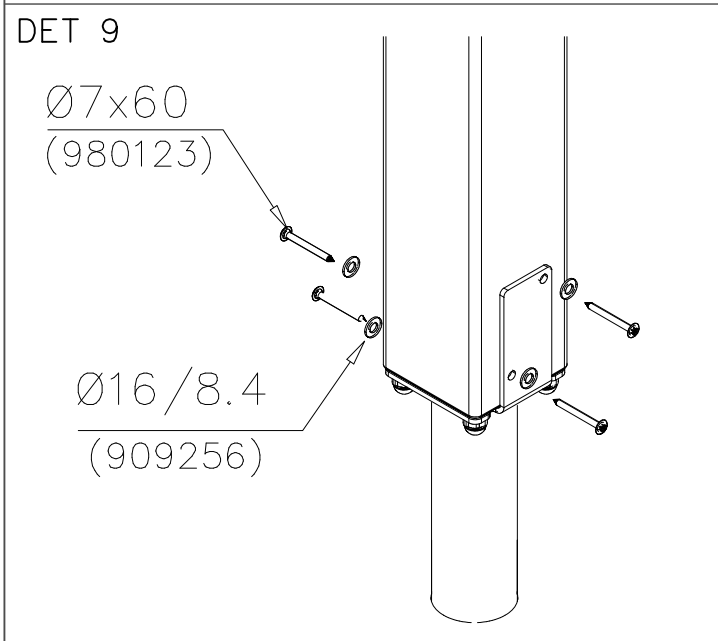
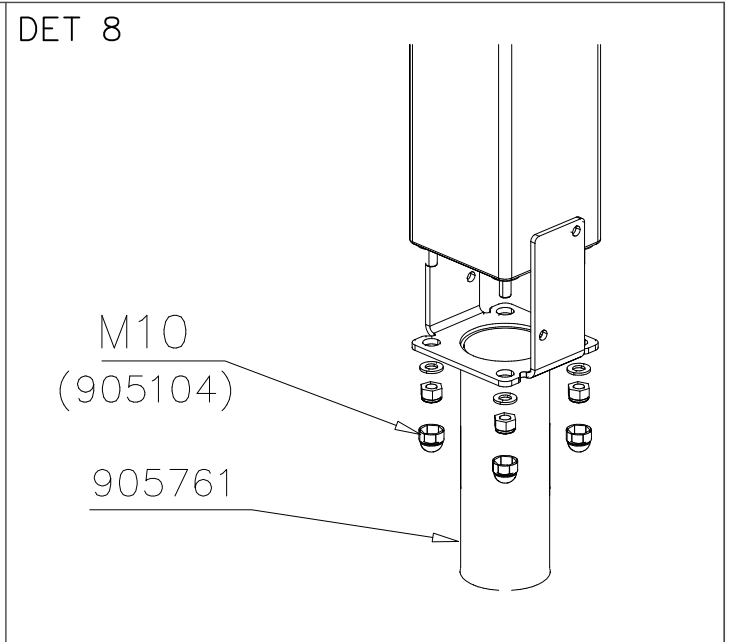
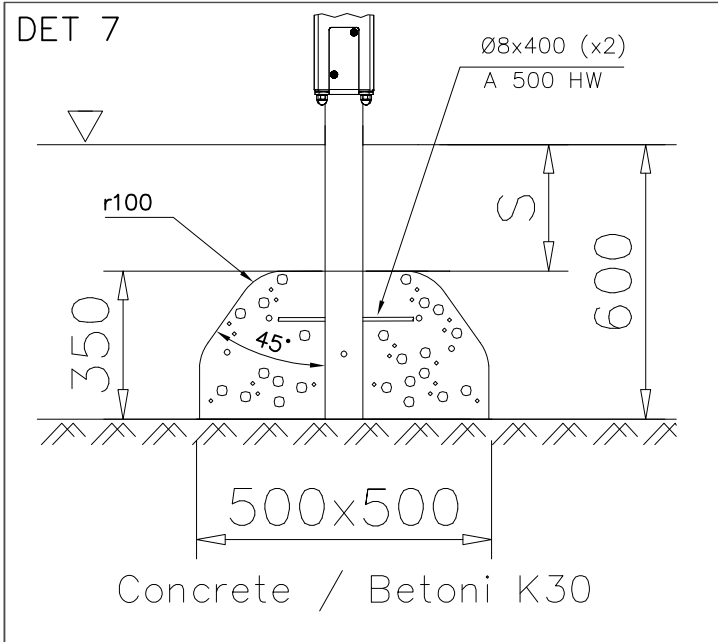
DET 4



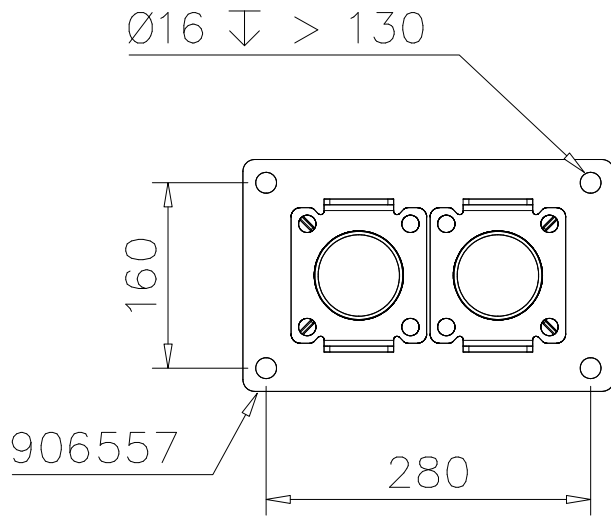
DET 5



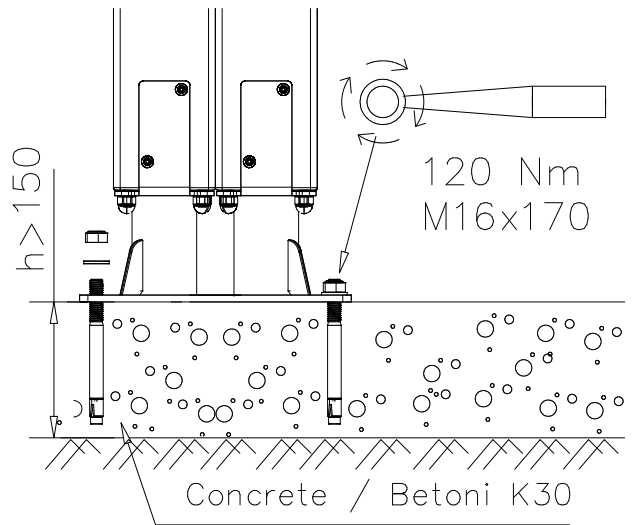
DET 6



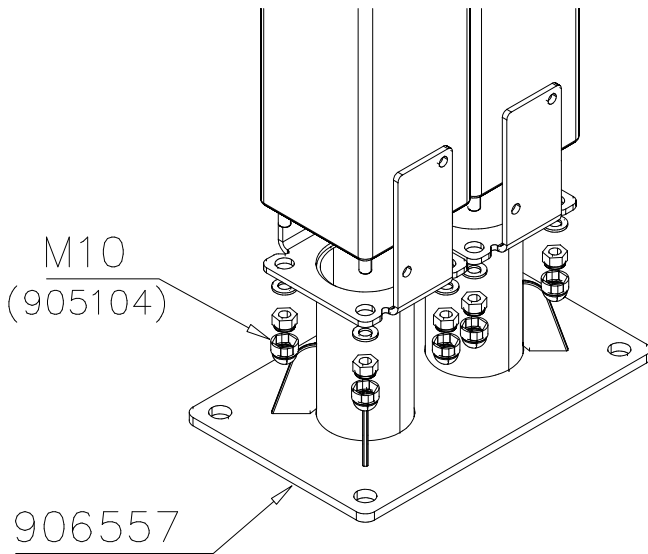
DET 13



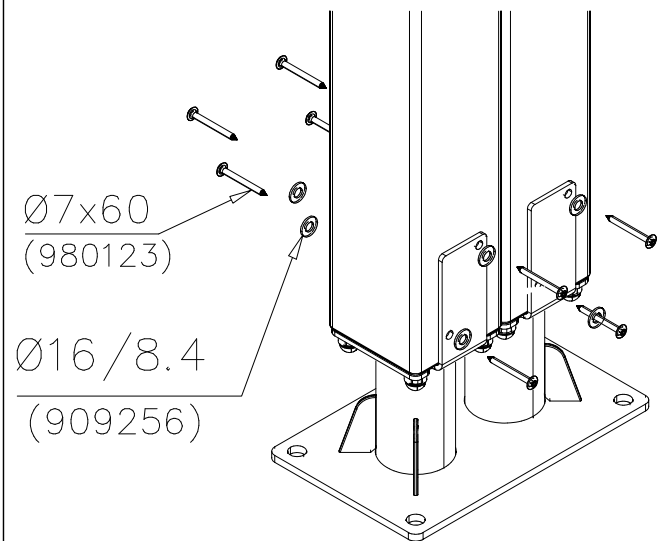
DET 14



DET 15

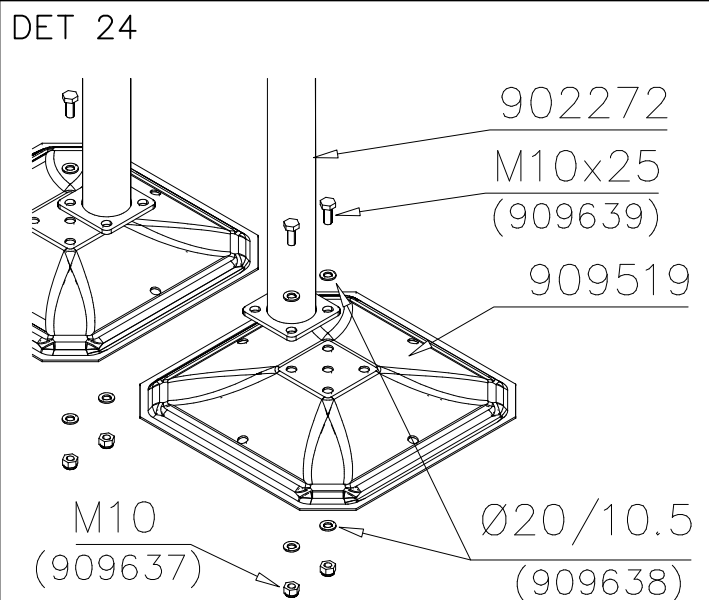
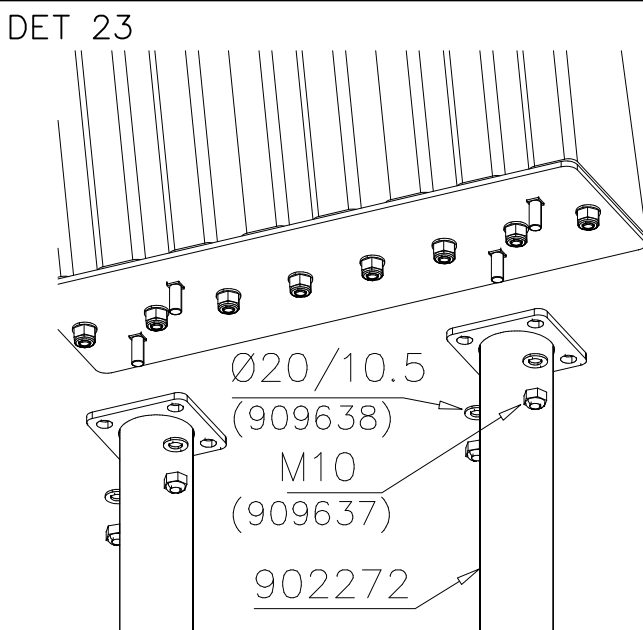
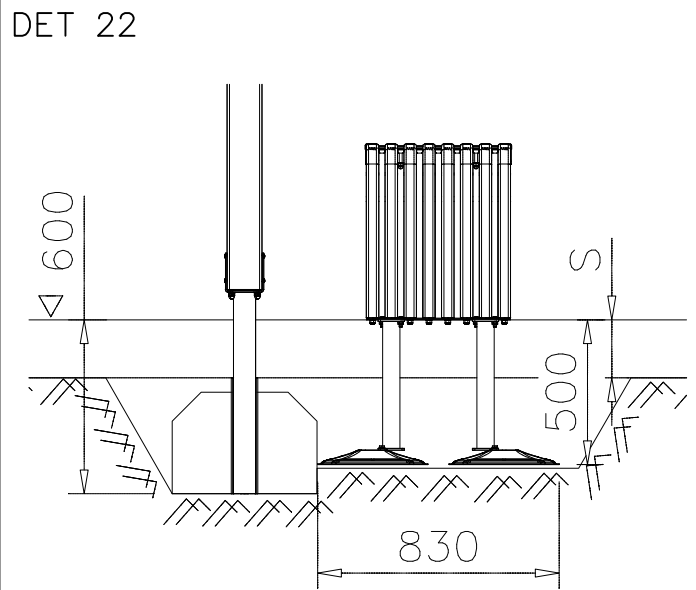
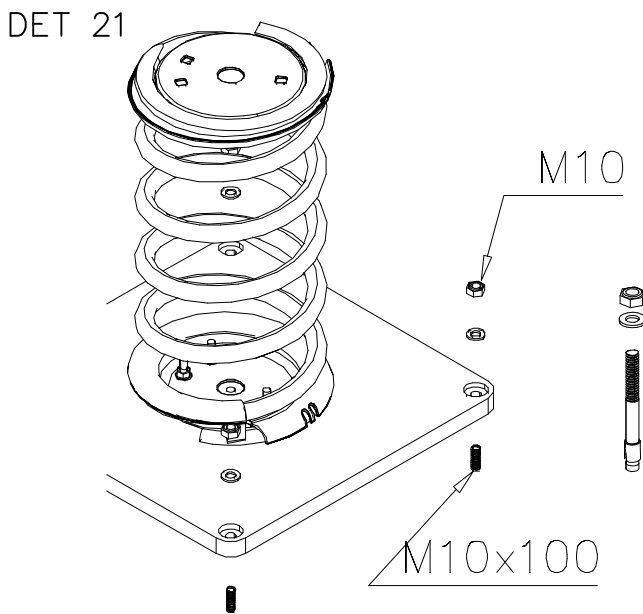
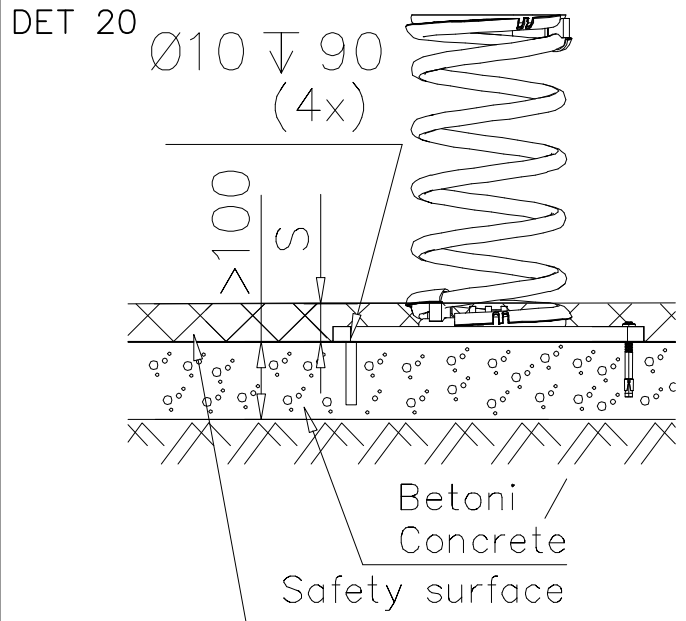
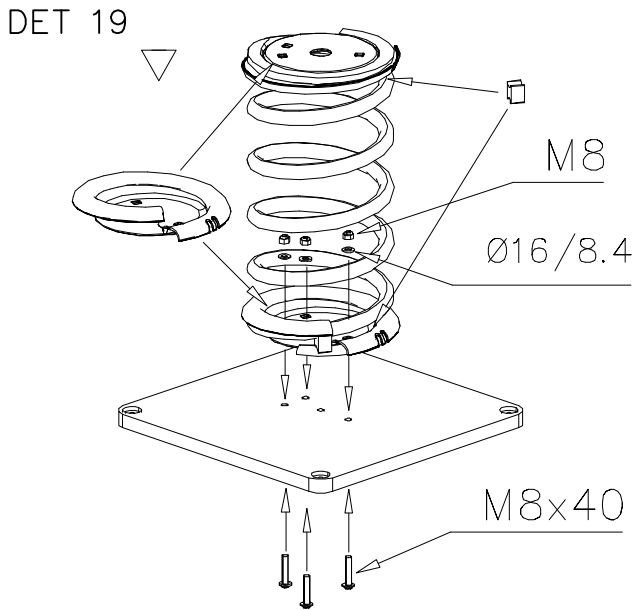


DET 16



DET 17

DET 18

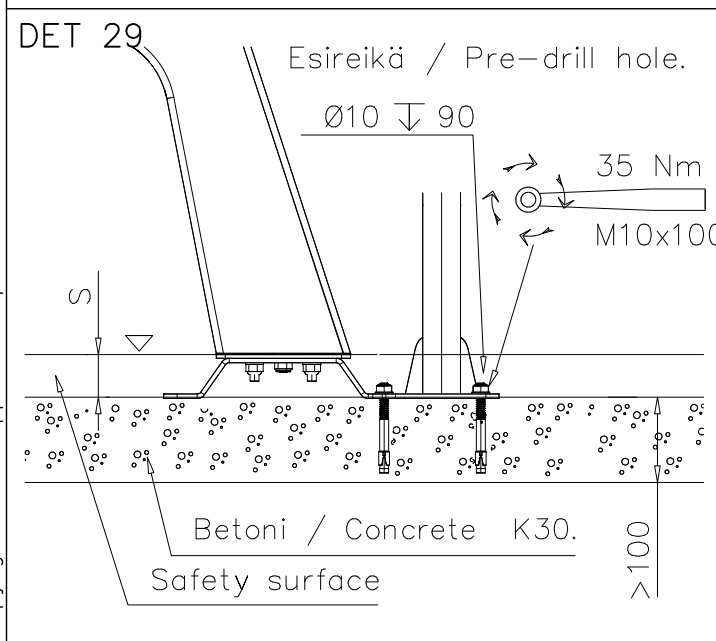
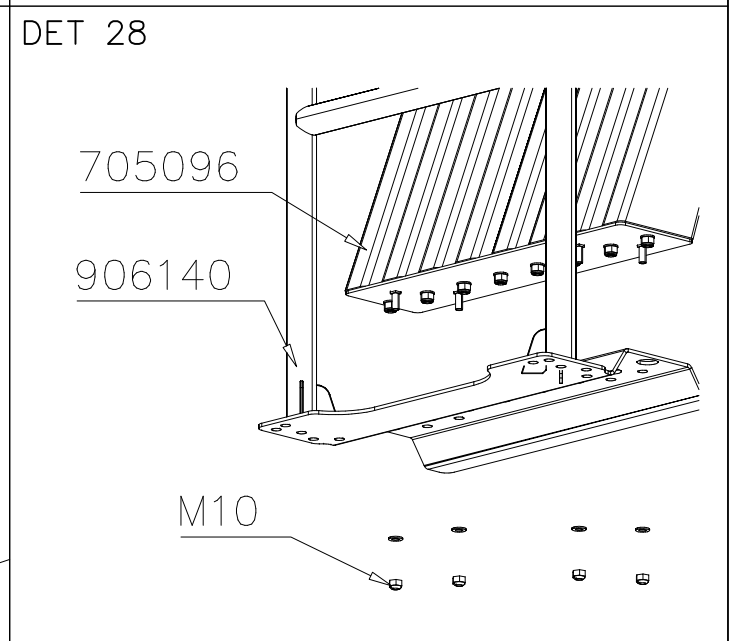
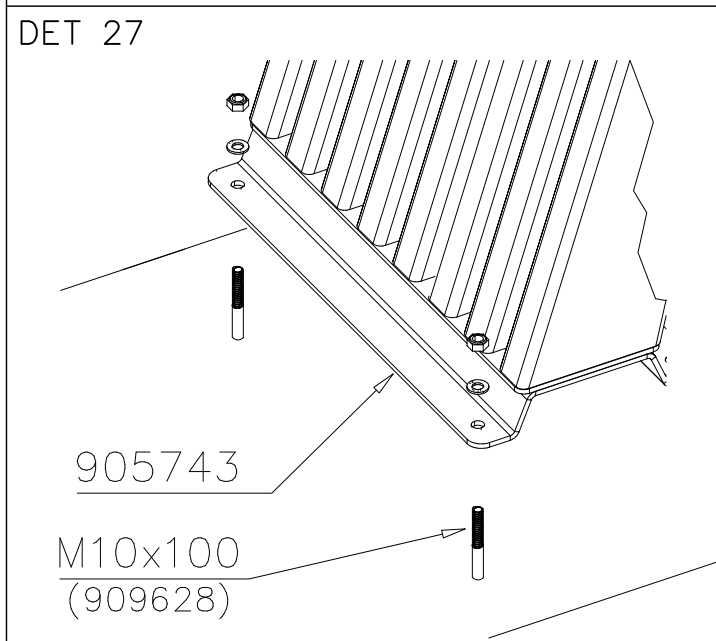
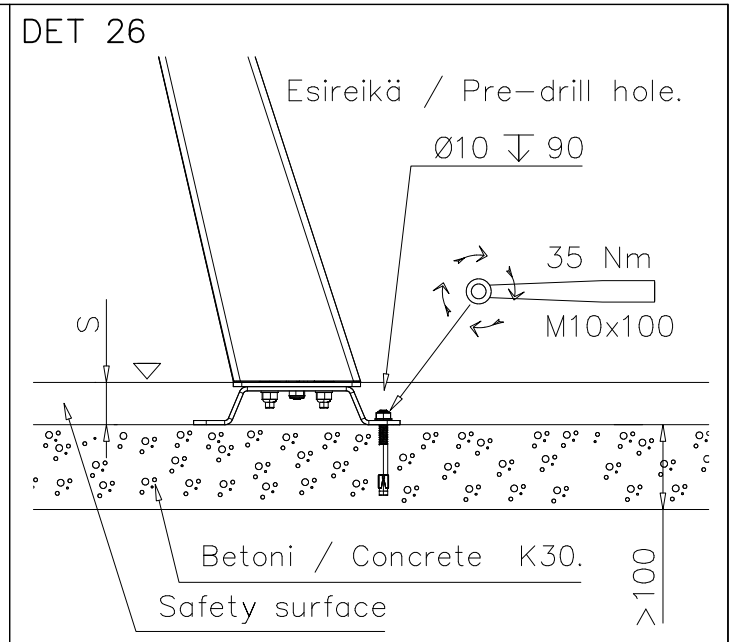
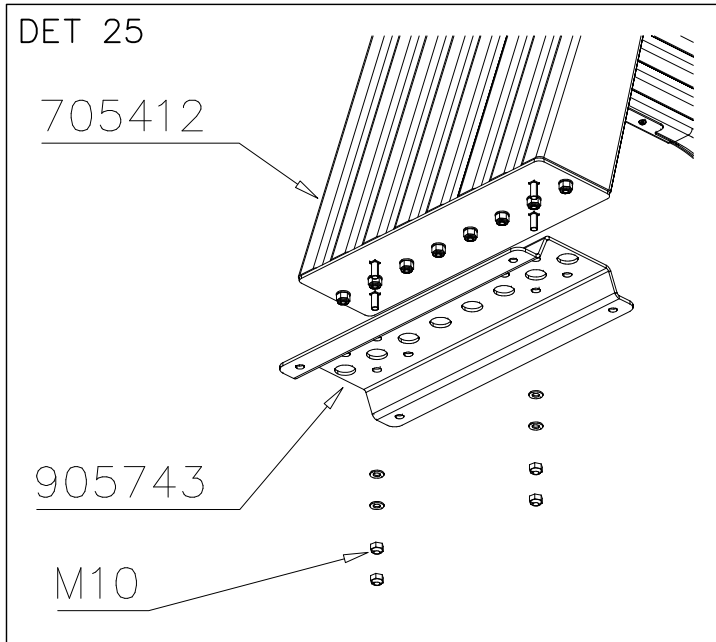


LAPPSET SPORT

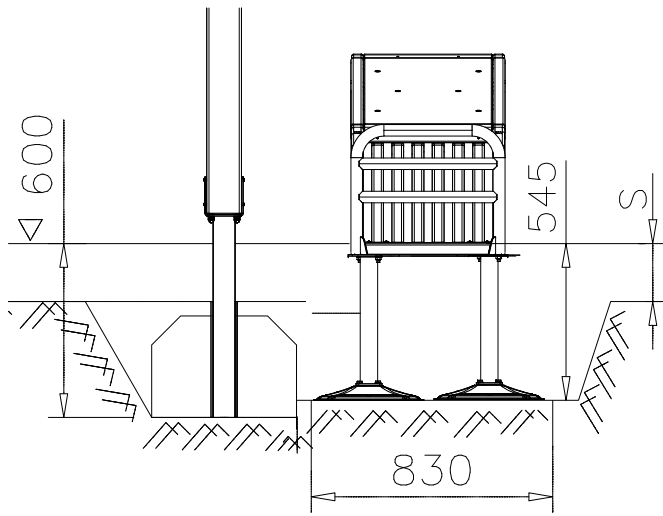
BASE

DATE: 29.4.2015

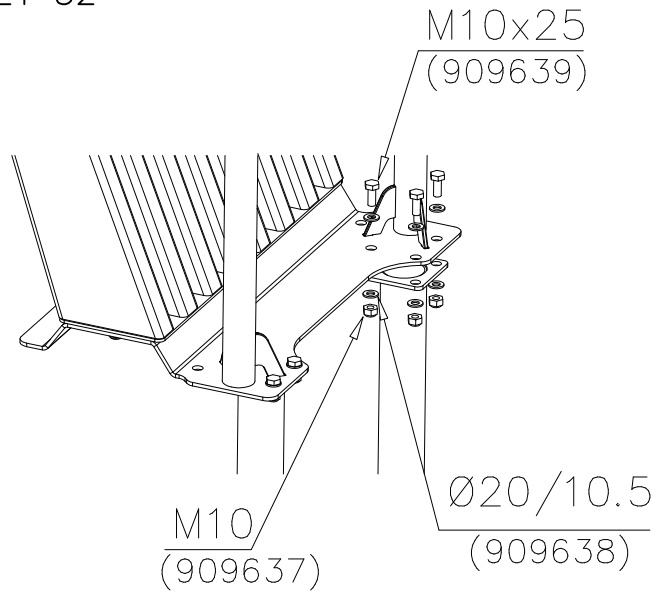
5(10)



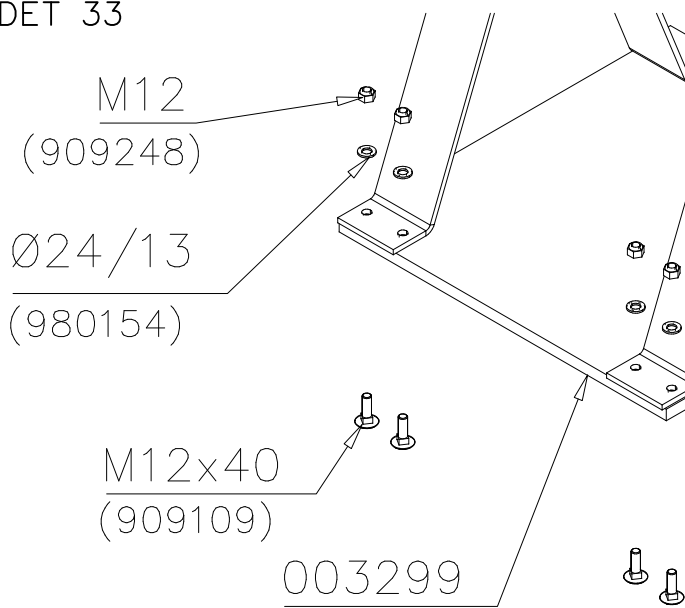
DET 31



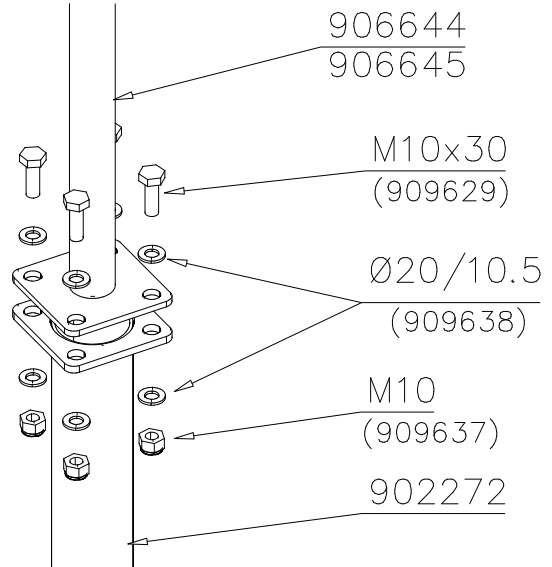
DET 32



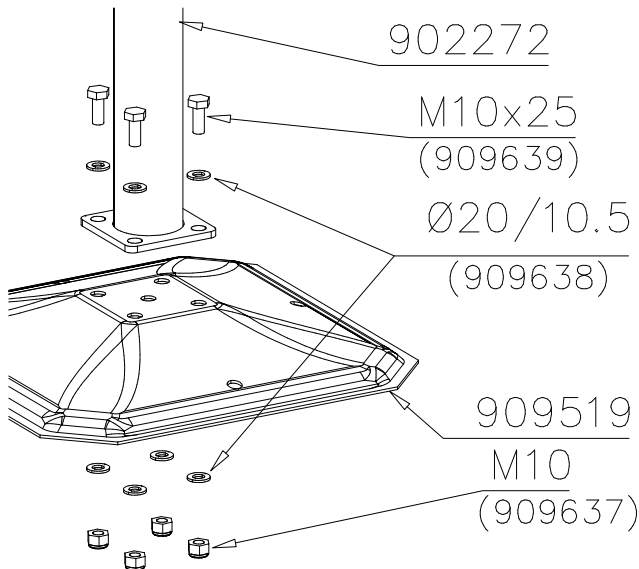
DET 33



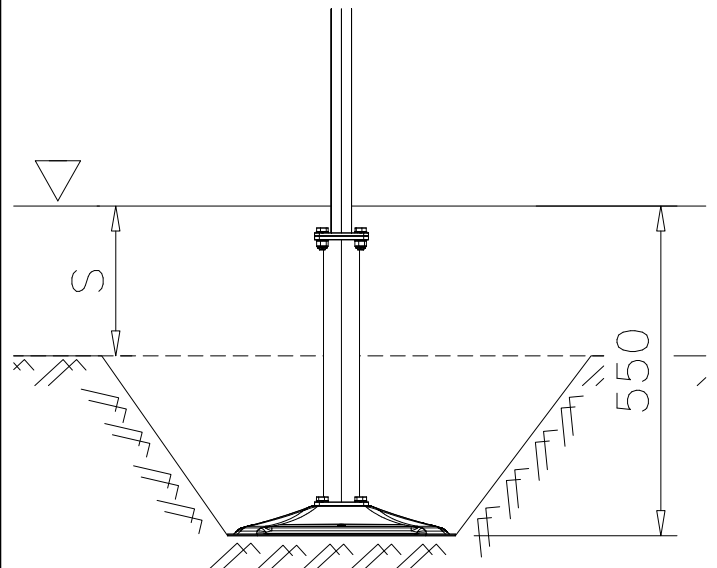
DET 34



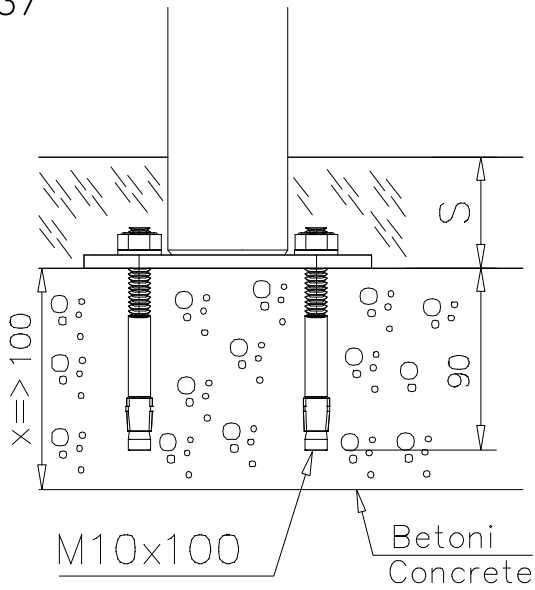
DET 35



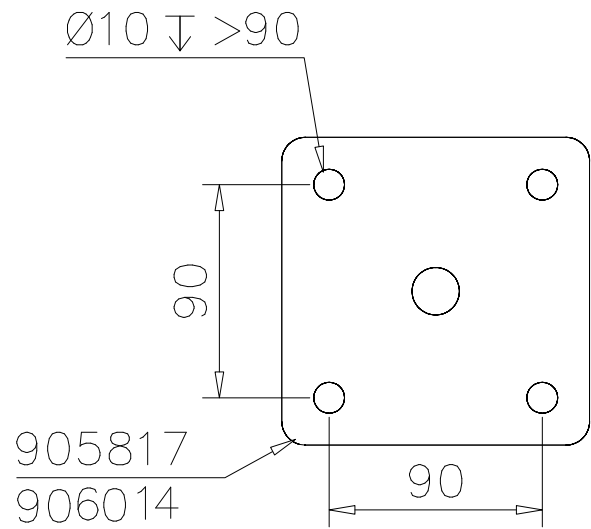
DET 36



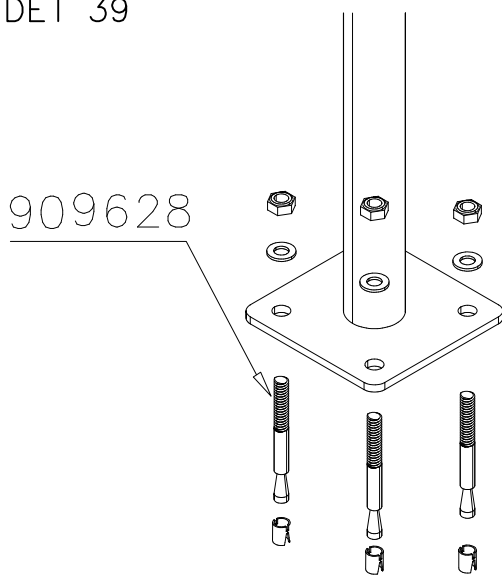
DET 37



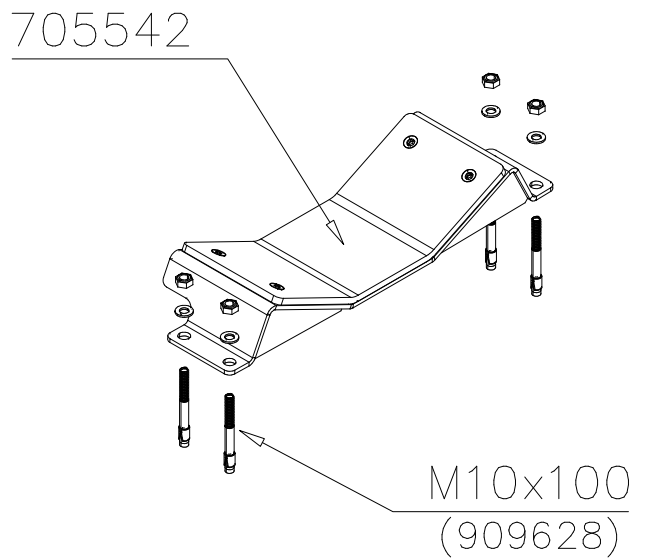
DET 38



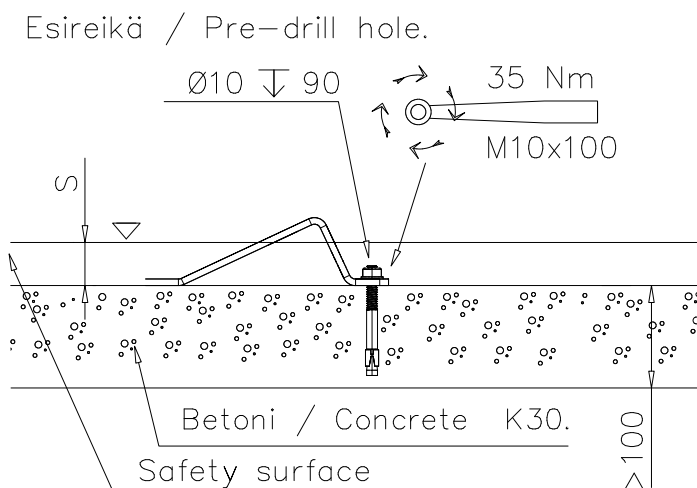
DET 39



DET 40



DET 41



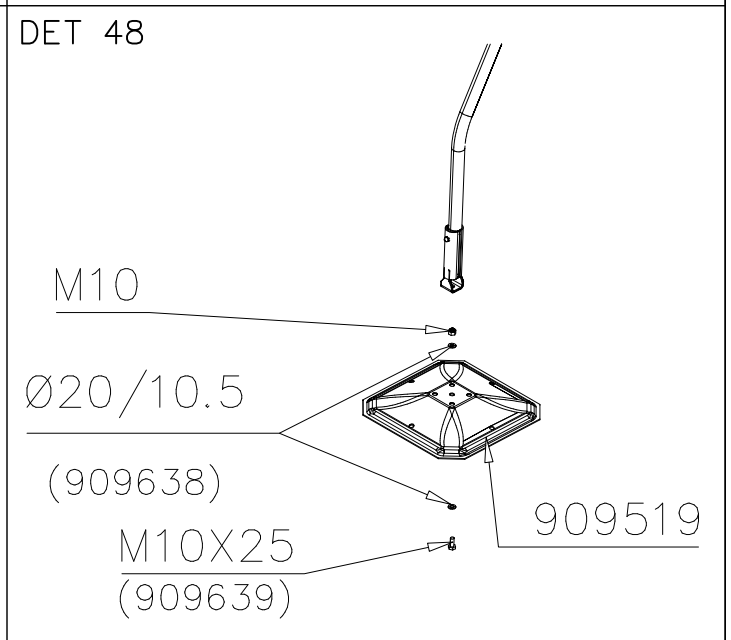
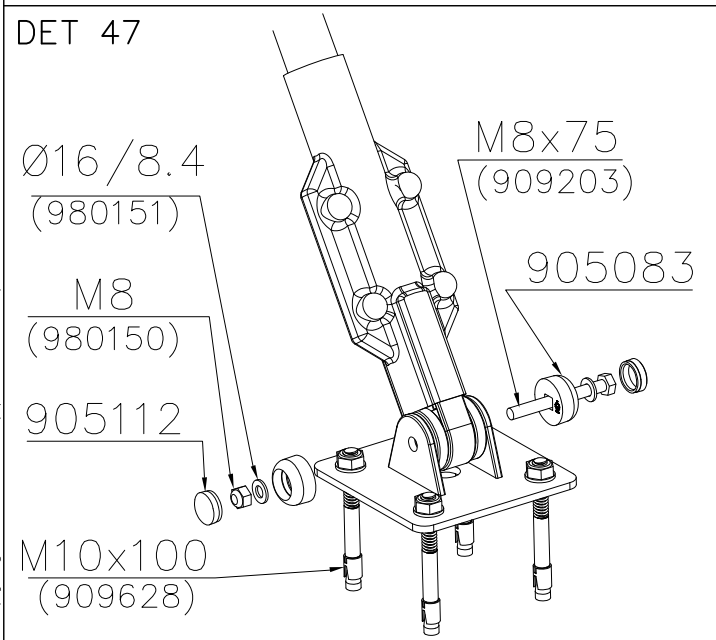
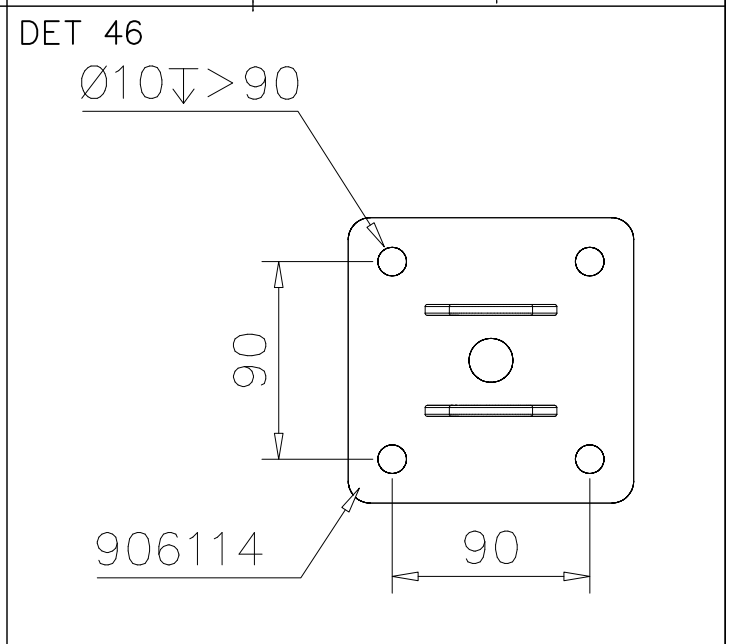
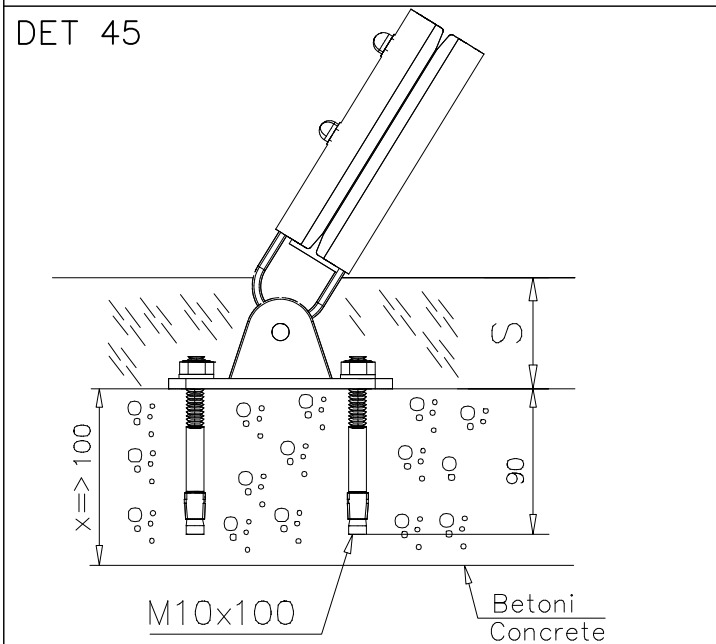
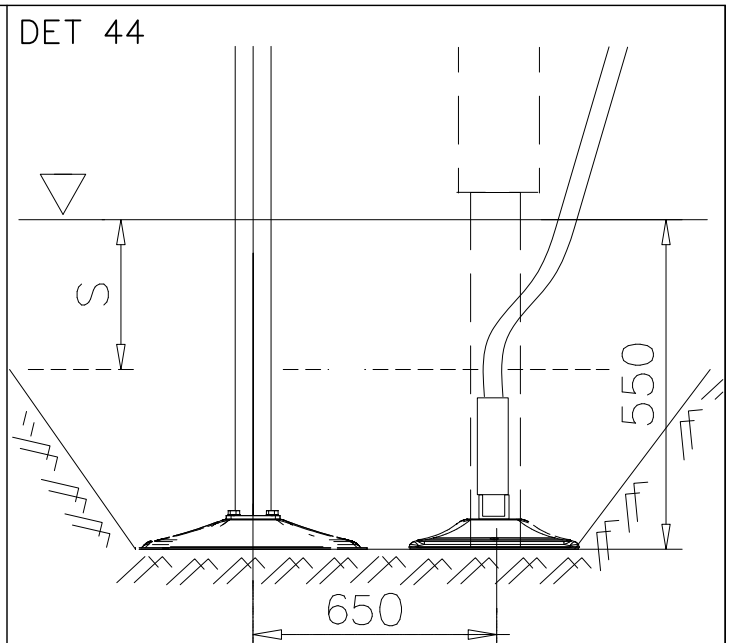
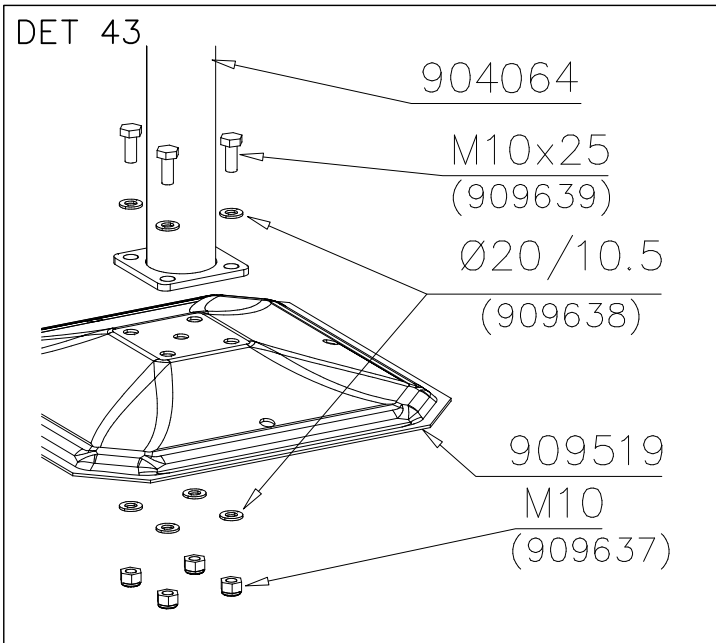
DET 42

LAPPSET SPORT

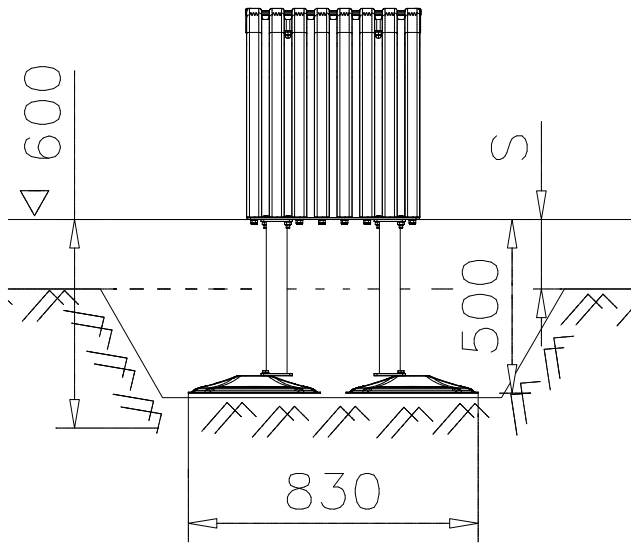
BASE

DATE: 15.8.2017

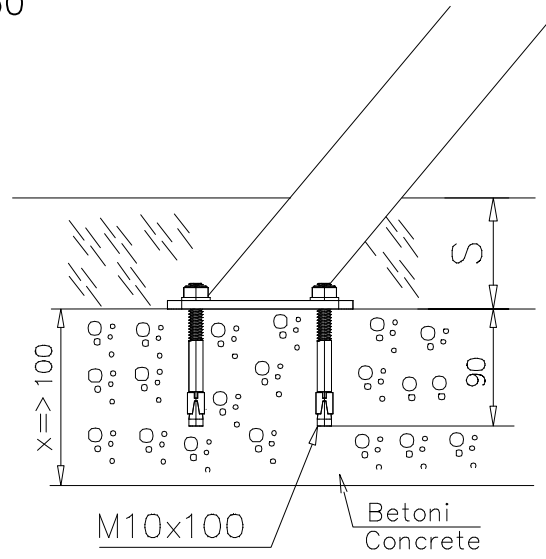
8(10)



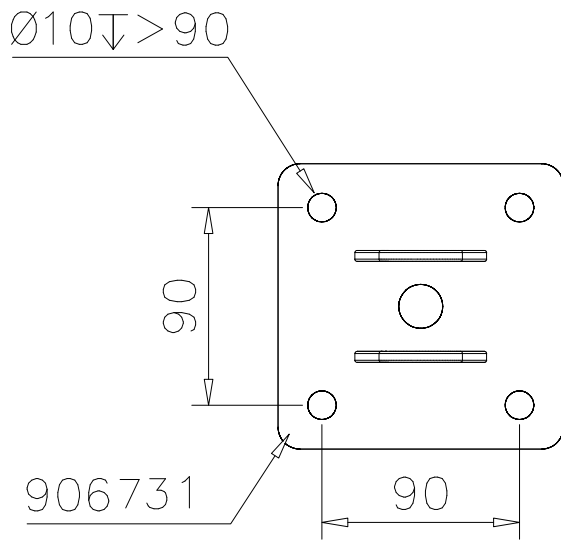
DET 49



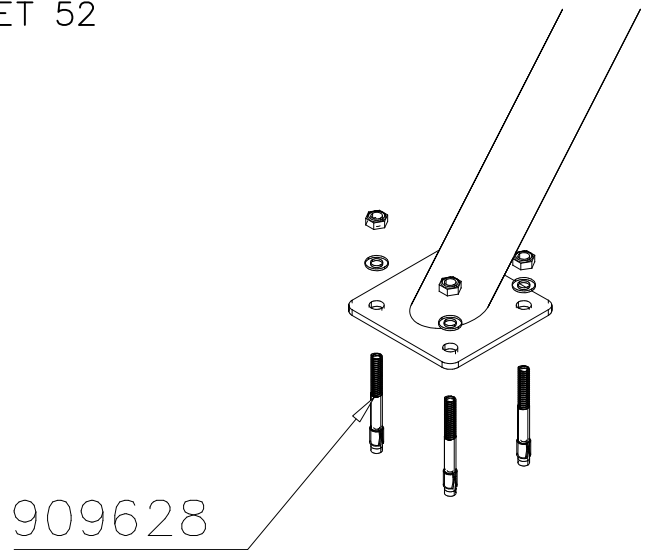
DET 50



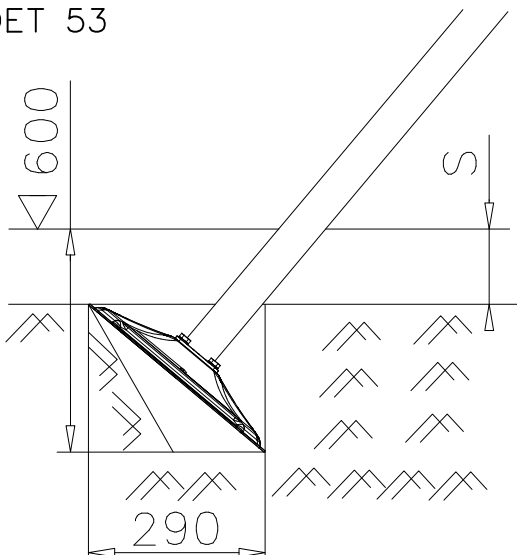
DET 51



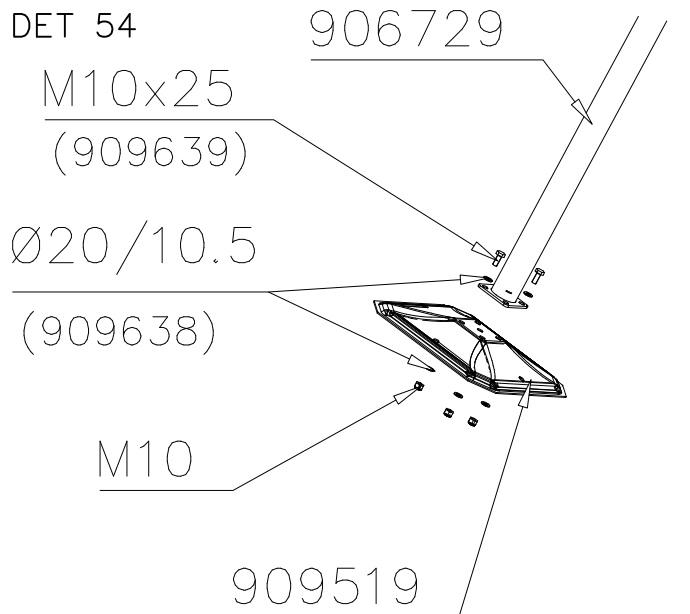
DET 52



DET 53

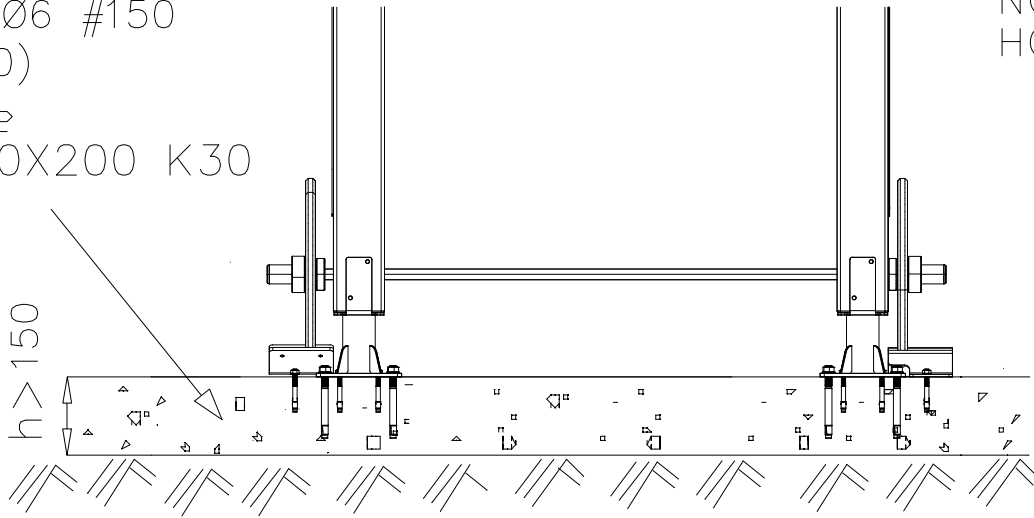


DET 54



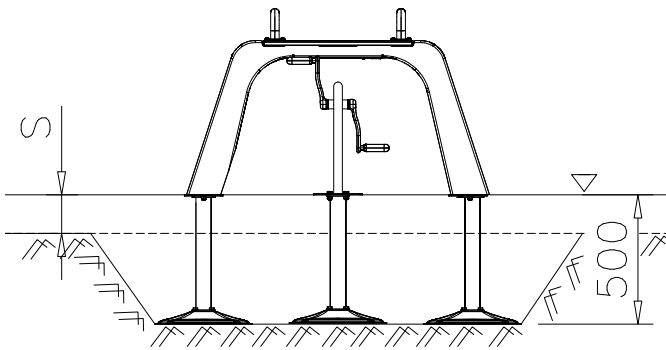
DET 55

STEELNET Ø6 #150
(1400x2100)
Concrete
1500X2200X200 K30

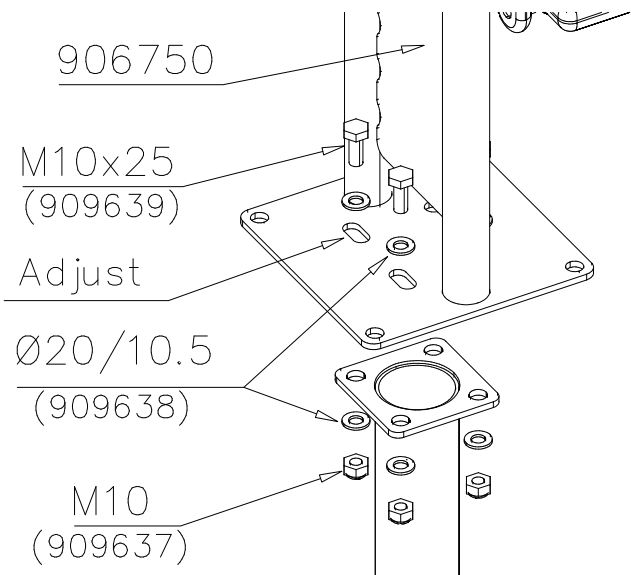


NOTE!
HOX!

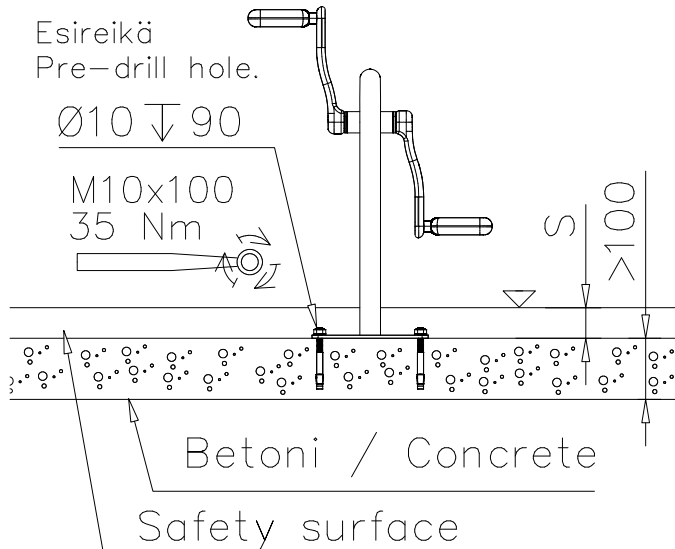
DET 56



DET 57



DET 58



DET 59

