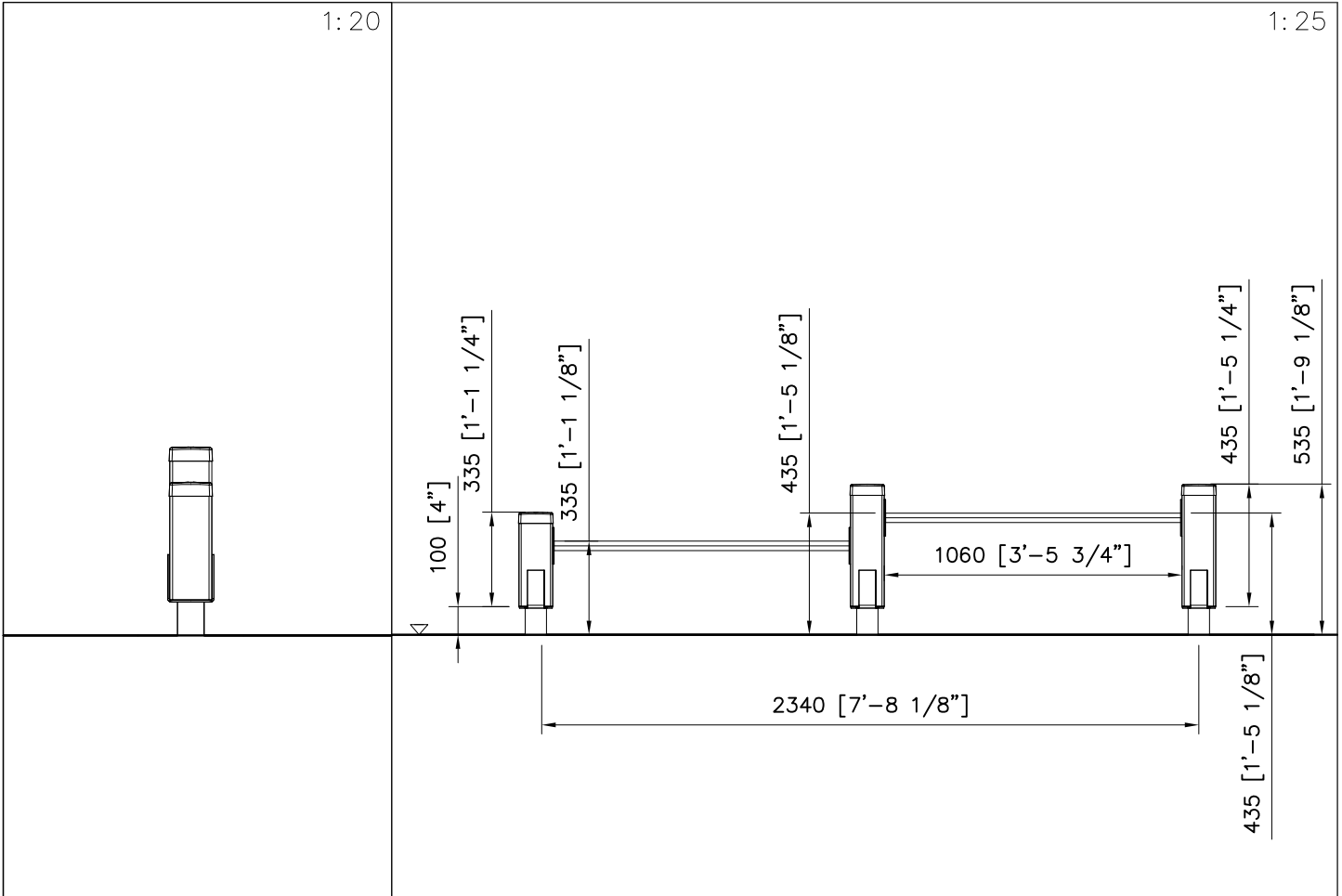


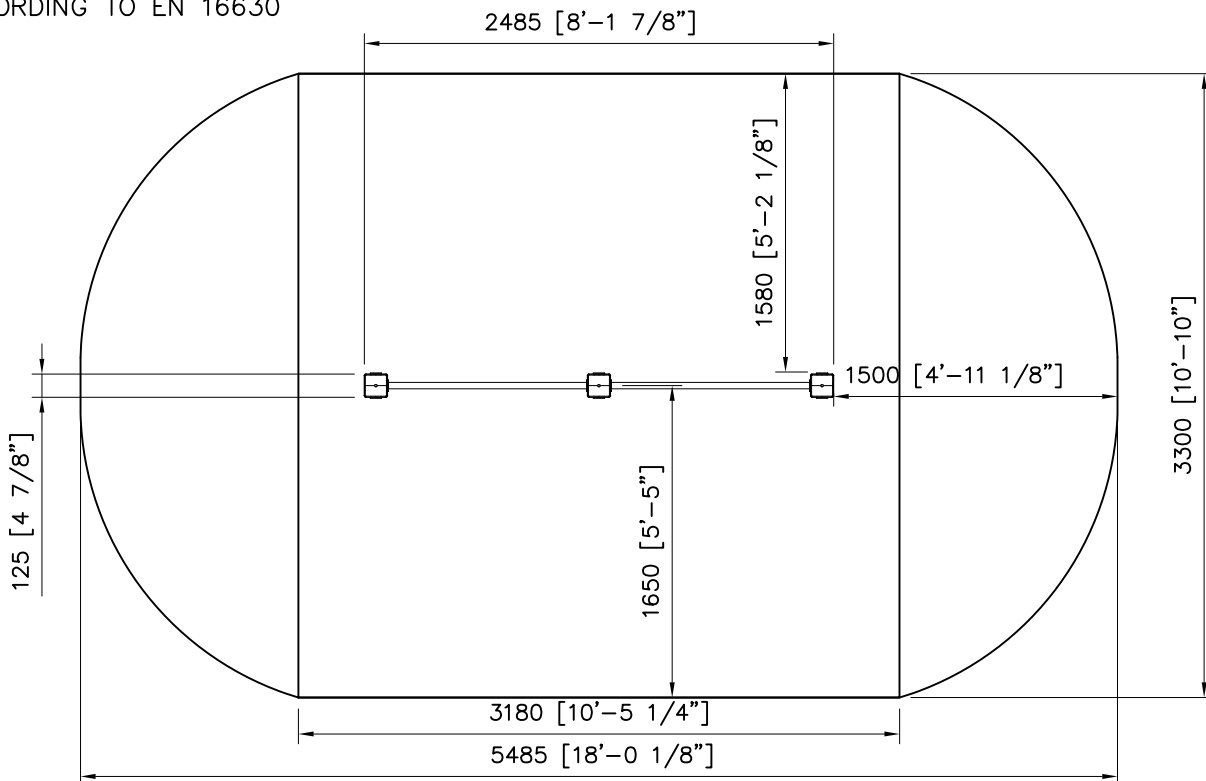
①	706025	PCS	②	705348	PCS
		1		1	
			120x120x300		
③	705349	PCS	④	980114	PCS
		2		4	
	120x120x400		Ø4x20		
⑤	980123	PCS	⑥	905104	PCS
		28		12	
	Ø7x60		M10		
⑦	905761	PCS	⑧	905830	PCS
		3		3	
	120x120x700		123x123x40		
⑨	905838	PCS	⑩	980104	PCS
		2		3	
	L=1060		Ø5x90		
⑪	909256	PCS			PCS
		28			
	Ø16/8.4				
		PCS			PCS
		PCS			PCS



Area of Movement 16.2 m²
Training Space 10.5m²
Max Falling Height 435 mm

1: 40

ALL AREAS AND FALLING HEIGHT
ACCORDING TO EN 16630



												
<p>$h < 600$</p> <p>Without movement and therefore without Impact Area</p>	<p>Totally hard surfaces.</p> <p>Note. Lappset does <u>not recommend</u> totally hard surfaces at all.</p>	<p>E.g. concrete or asphalt</p> 										
<p>$h < 600$</p> <p>With movement e.g. rocking</p>	<p>Materials with very limited impact attenuating properties.</p>	<p>E.g. wood</p> 										
<p>$h < 1000$</p>	<p>Materials with significant impact attenuating properties.</p>	<p>fine gravel 0–8 mm</p>  <p>grass</p>  <p>unsorted sand</p> 										
<p>$h < 3000$</p>	<p>Loose fill material</p> <p>E.g. sand/gravel 0,25...8 mm D60/D10<3,0 Woodchips 5...30 mm bark 20...80 mm</p>	 <table data-bbox="1024 1691 1332 1780"> <tr> <td>\underline{S}</td> <td>\underline{h}</td> </tr> <tr> <td>30 cm</td> <td>< 2,0 m</td> </tr> <tr> <td>40 cm</td> <td>< 3,0 m</td> </tr> </table>	\underline{S}	\underline{h}	30 cm	< 2,0 m	40 cm	< 3,0 m				
\underline{S}	\underline{h}											
30 cm	< 2,0 m											
40 cm	< 3,0 m											
	<p>Syntethic granulates</p> <table data-bbox="406 1892 758 2060"> <tr> <td>\underline{S}</td> <td>\underline{h}</td> </tr> <tr> <td>40 mm</td> <td>~> 1,2...1,3 m</td> </tr> <tr> <td>50 mm</td> <td>~> 1,5...1,7 m</td> </tr> <tr> <td>60 mm</td> <td>~> 1,8...2,0 m</td> </tr> <tr> <td>70 mm</td> <td>~> 2,1...2,5 m</td> </tr> </table> <p>Note. For accurate values, see manufacturer's instructions.</p>	\underline{S}	\underline{h}	40 mm	~> 1,2...1,3 m	50 mm	~> 1,5...1,7 m	60 mm	~> 1,8...2,0 m	70 mm	~> 2,1...2,5 m	
\underline{S}	\underline{h}											
40 mm	~> 1,2...1,3 m											
50 mm	~> 1,5...1,7 m											
60 mm	~> 1,8...2,0 m											
70 mm	~> 2,1...2,5 m											

REMOVE SAFETY SURFACE/SAND/GRAVEL
TO CHECK FOUNDATION

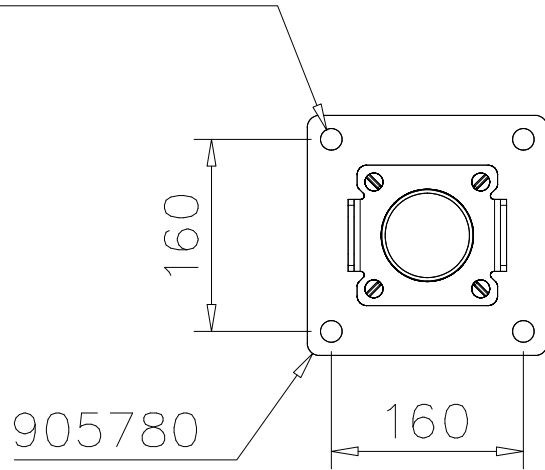


REMOVE SAFETY SURFACE/SAND/GRAVEL
TO CHECK FOUNDATION



DET 1

$\varnothing 16 \downarrow > 130$



DET 2



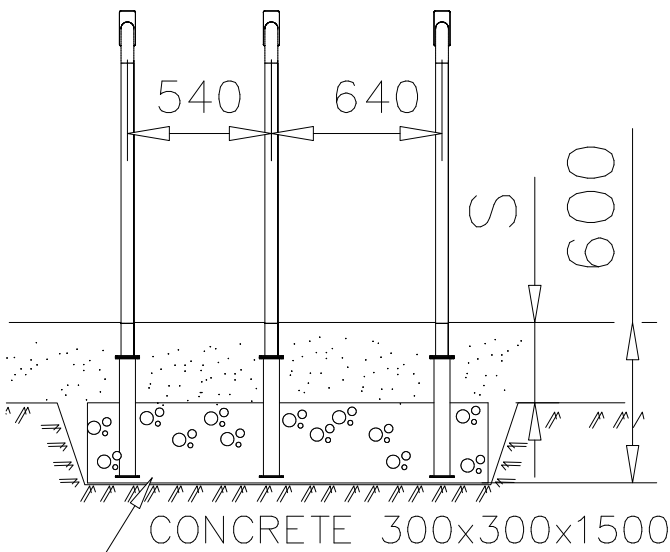
DET 3



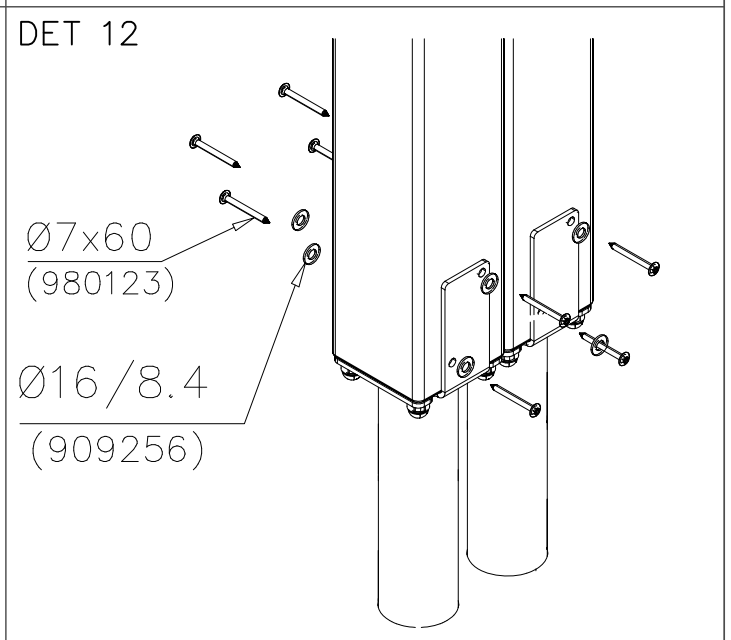
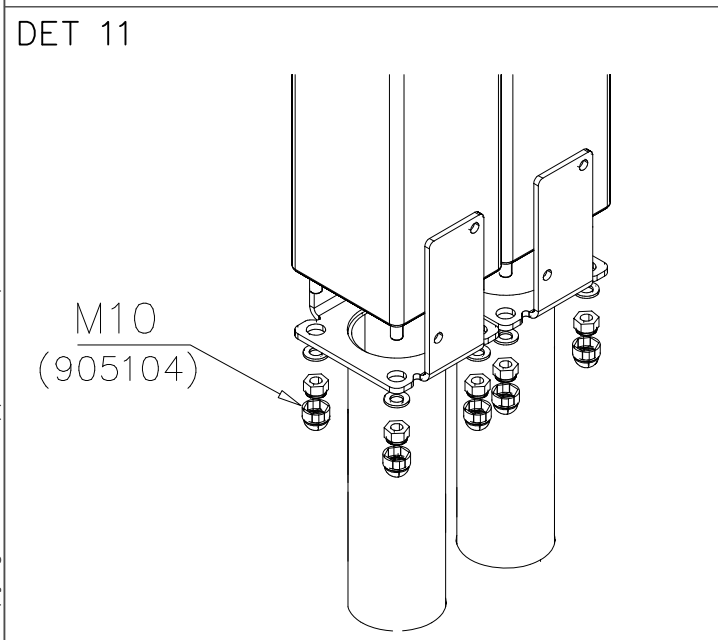
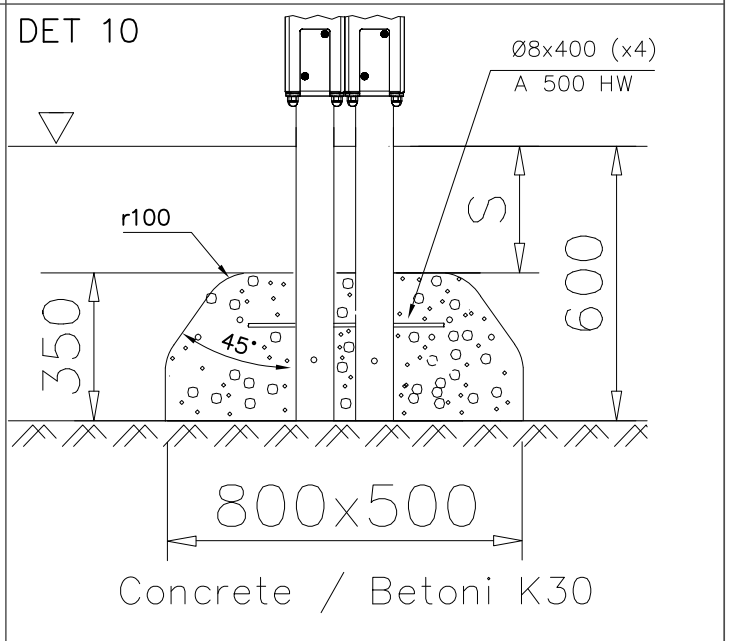
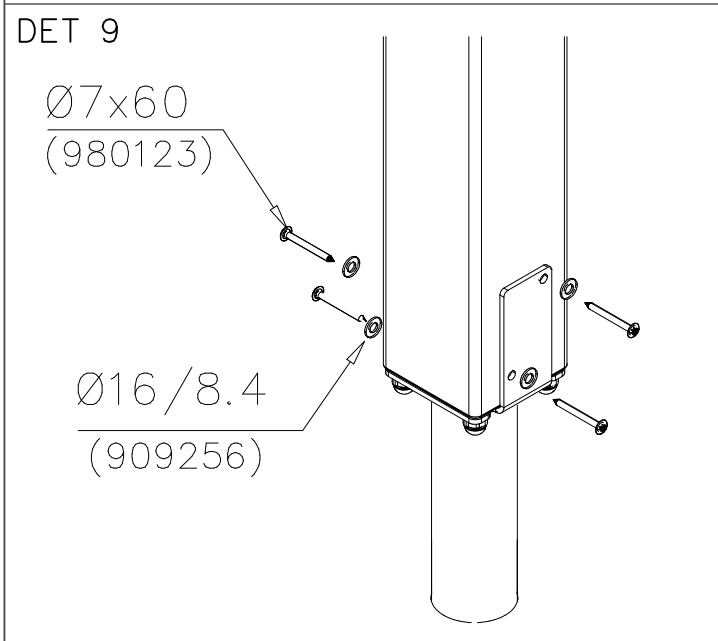
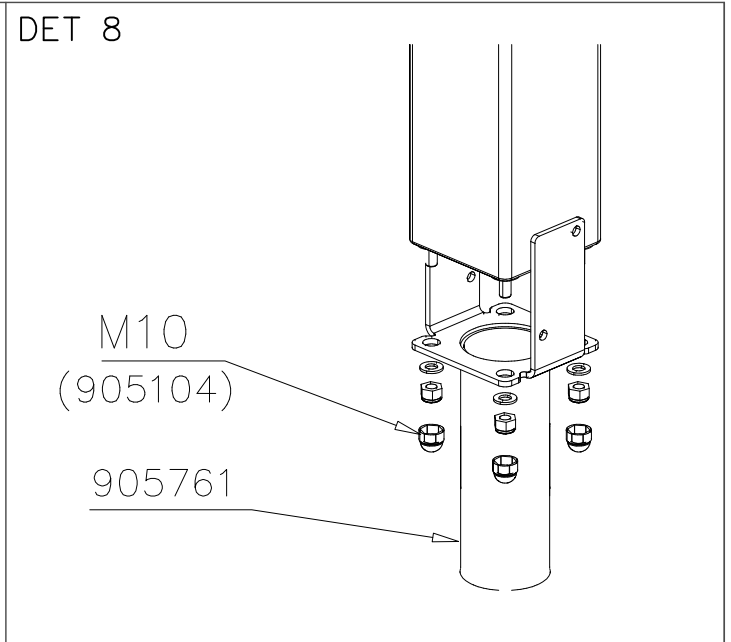
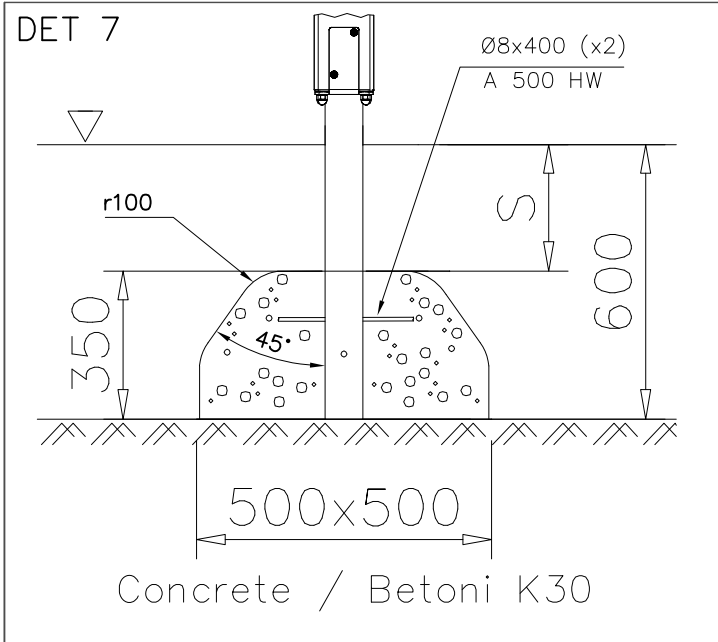
DET 4



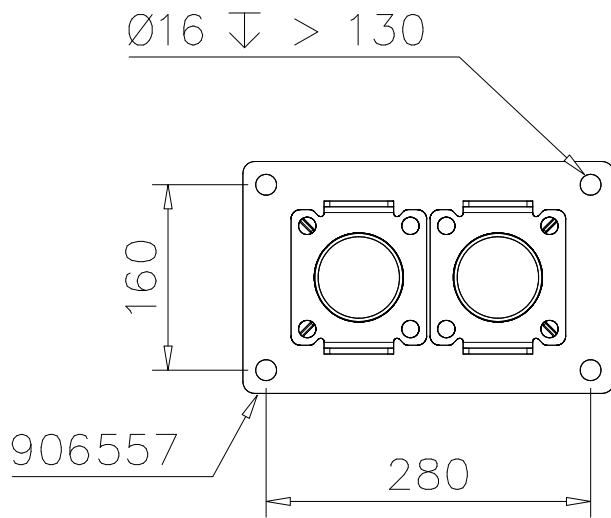
DET 5



DET 6



DET 13



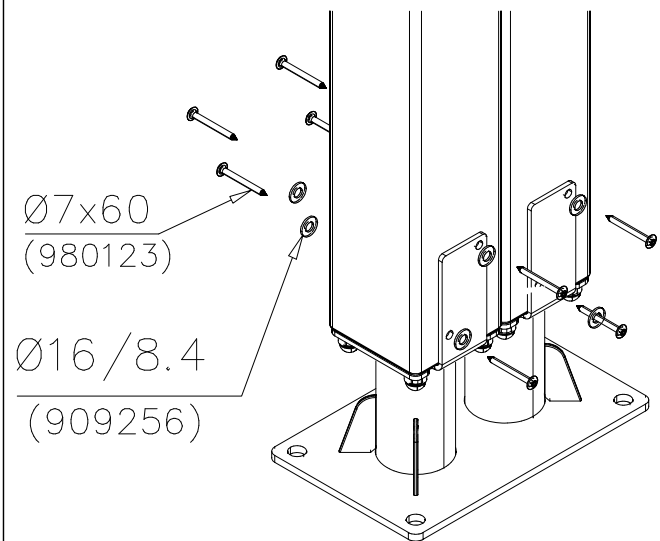
DET 14



DET 15

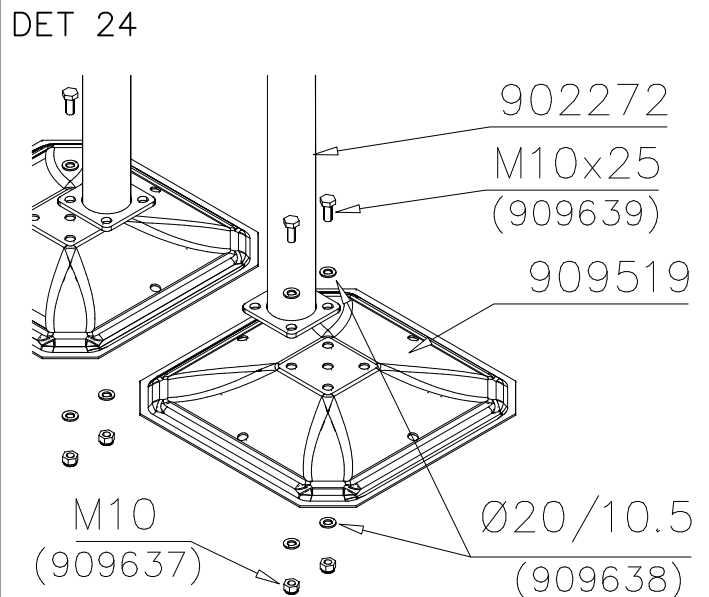
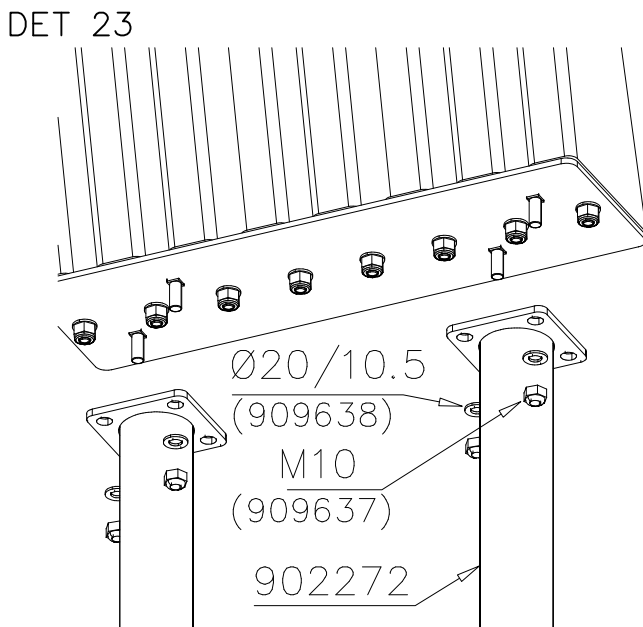
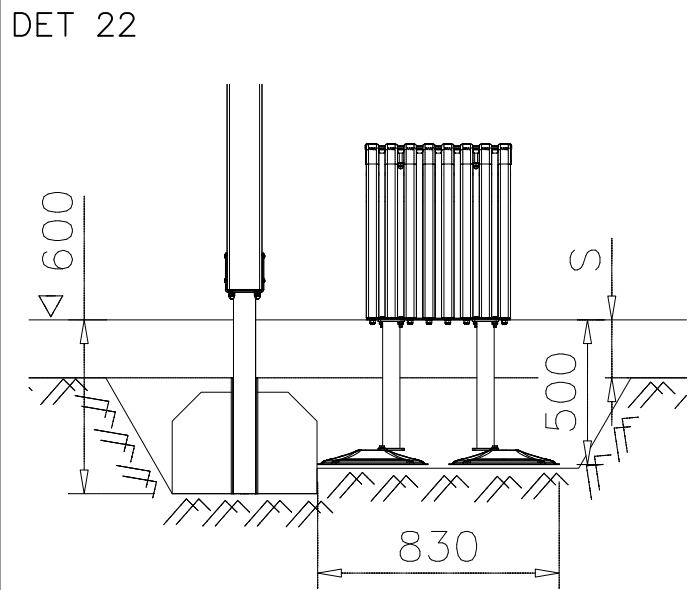
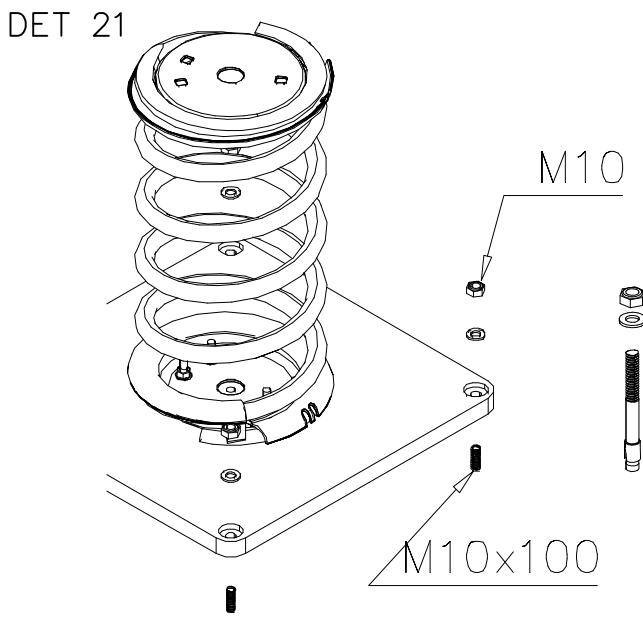
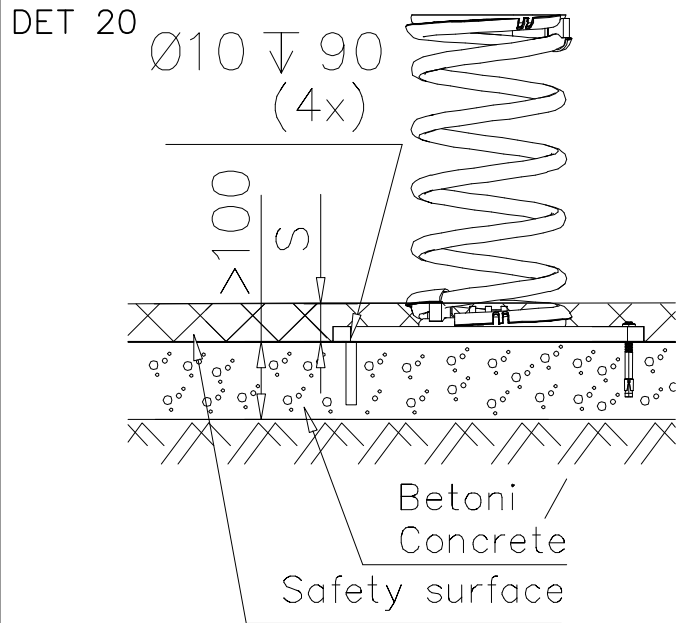
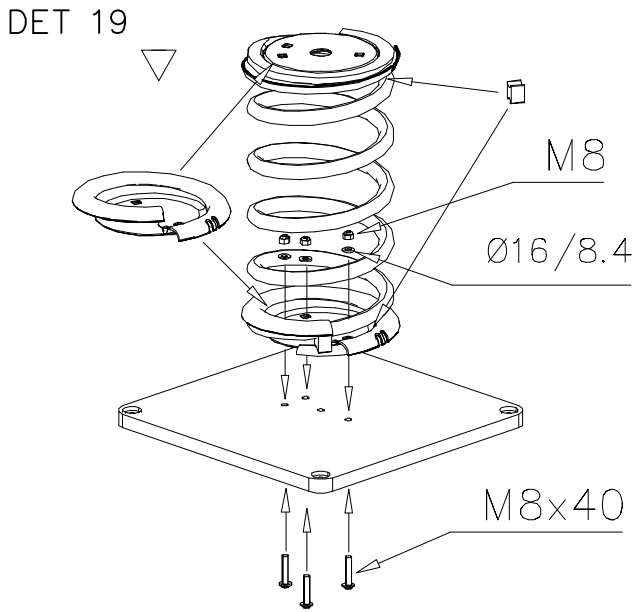


DET 16



DET 17

DET 18

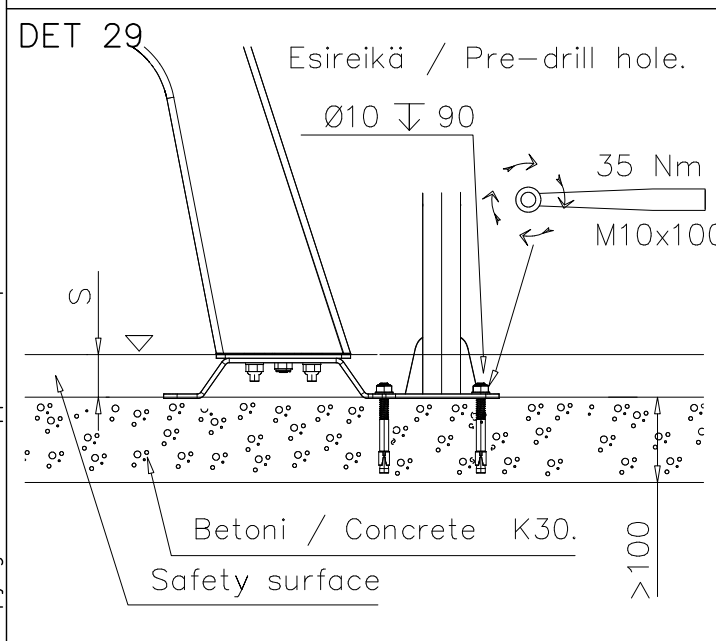
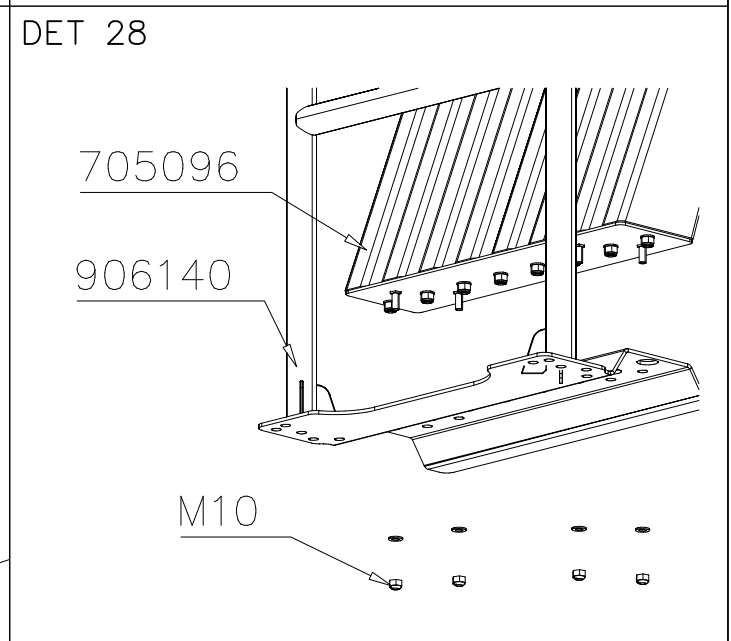
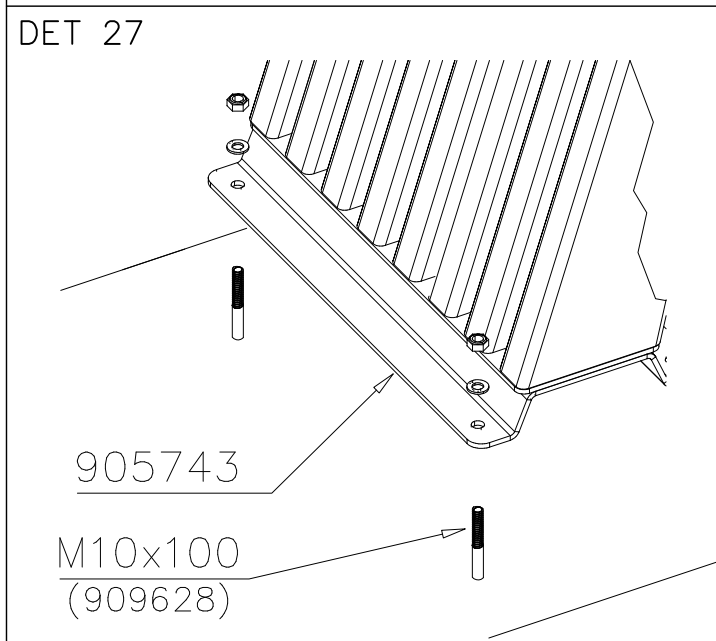
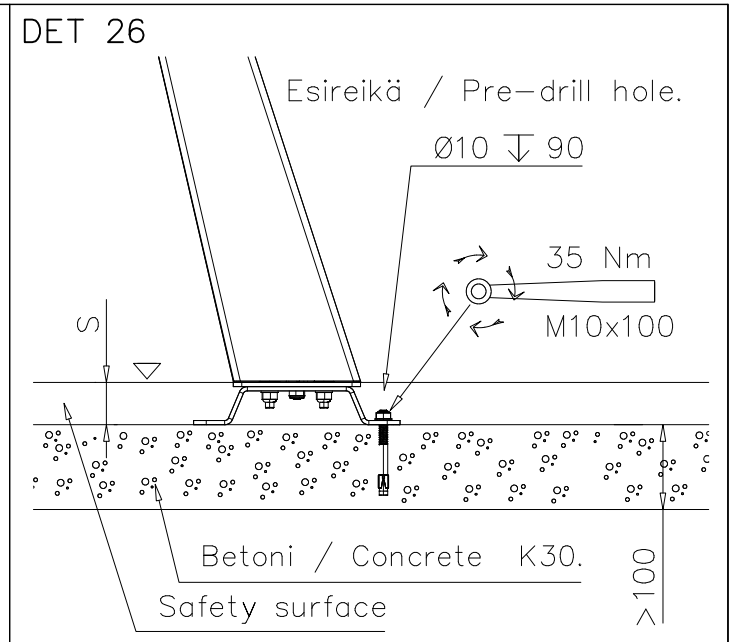
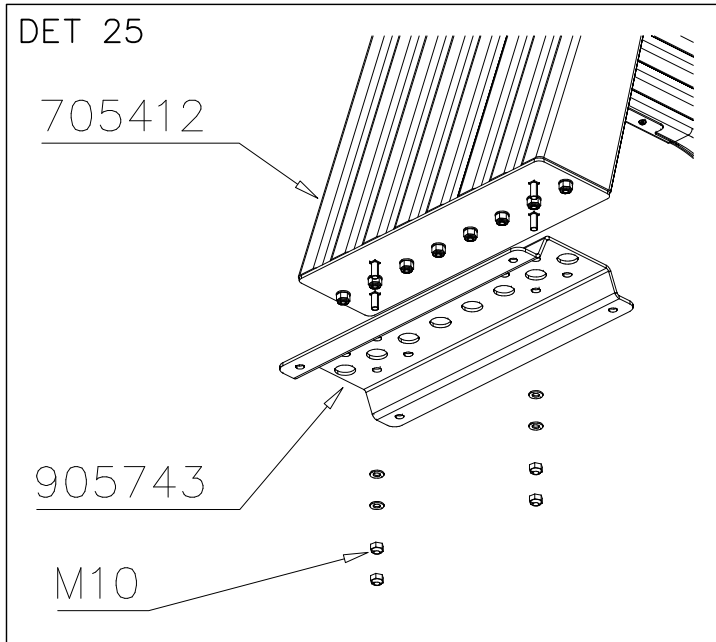


LAPPSET SPORT

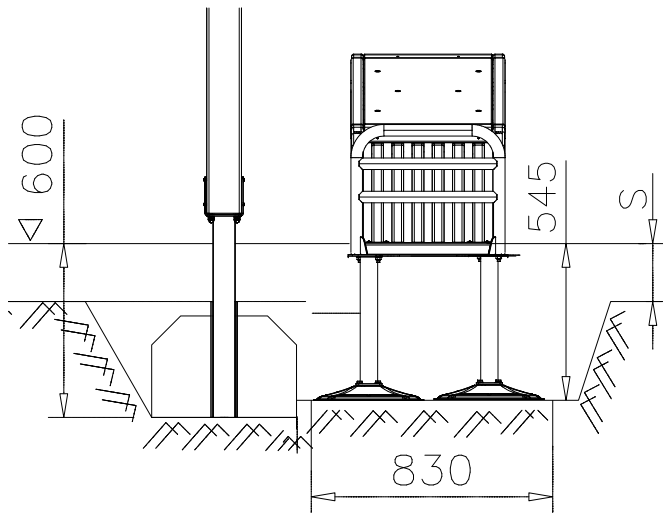
BASE

DATE: 29.4.2015

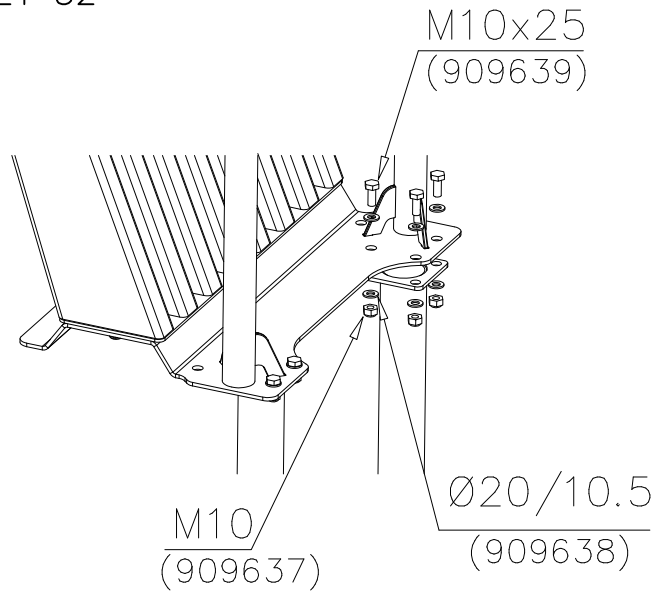
5(10)



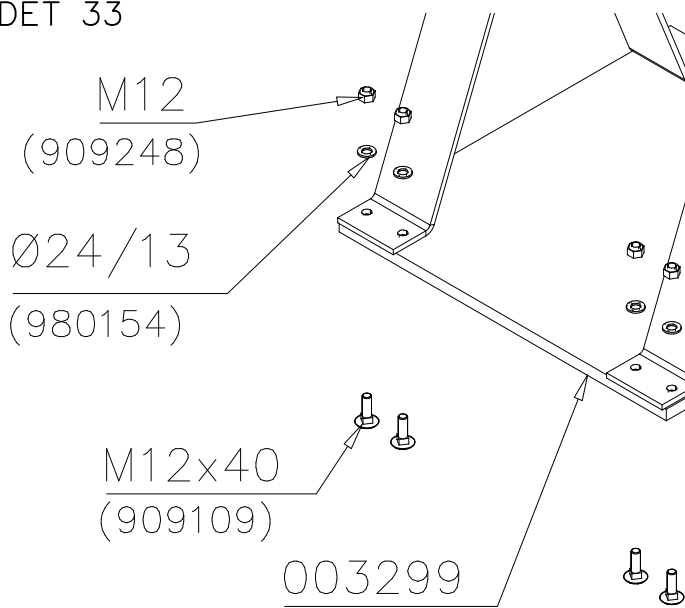
DET 31



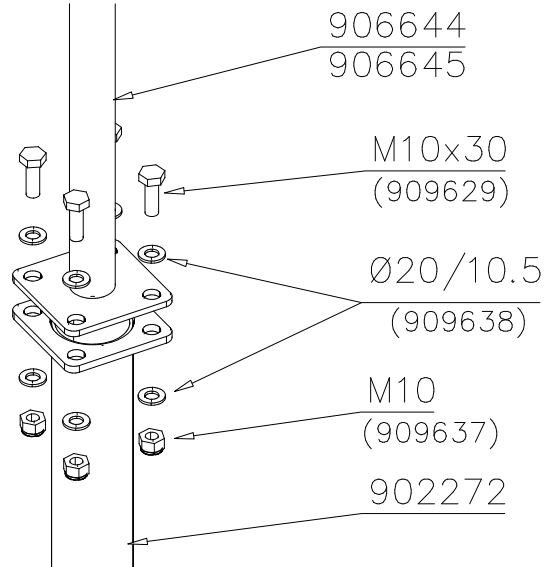
DET 32



DET 33



DET 34



DET 35



DET 36



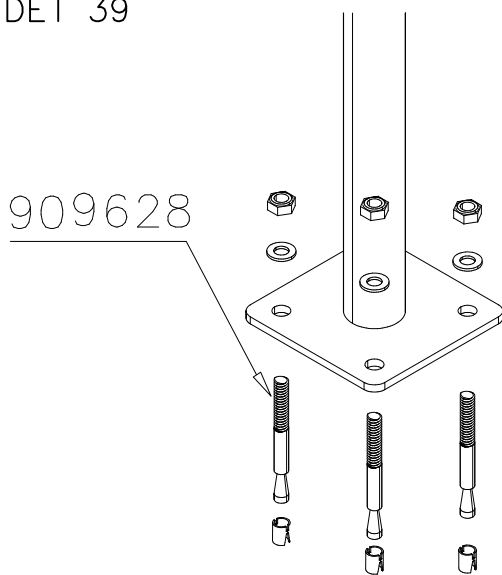
DET 37



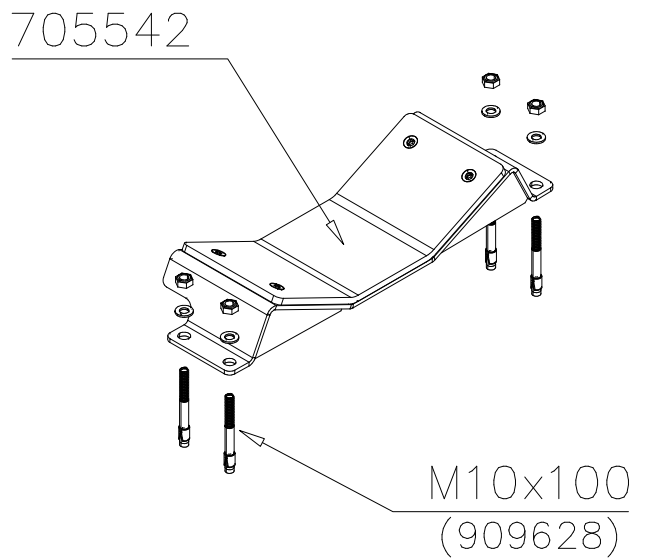
DET 38



DET 39



DET 40



DET 41



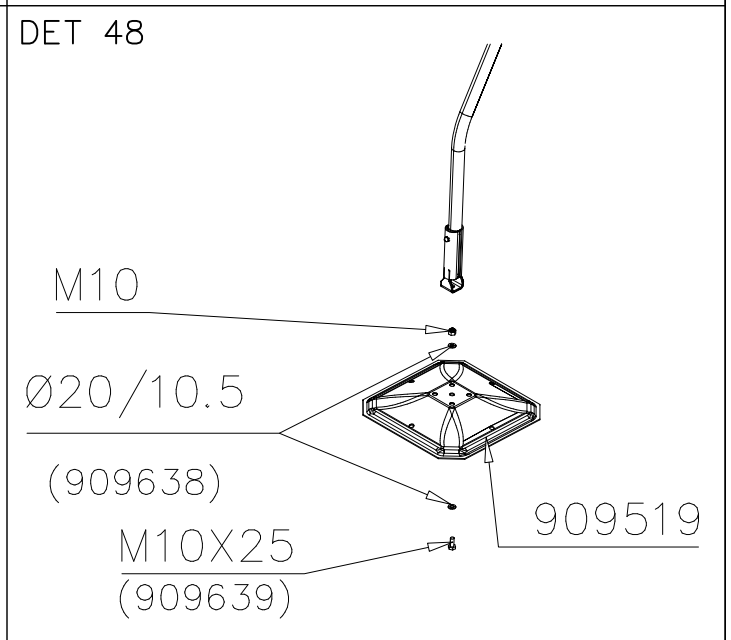
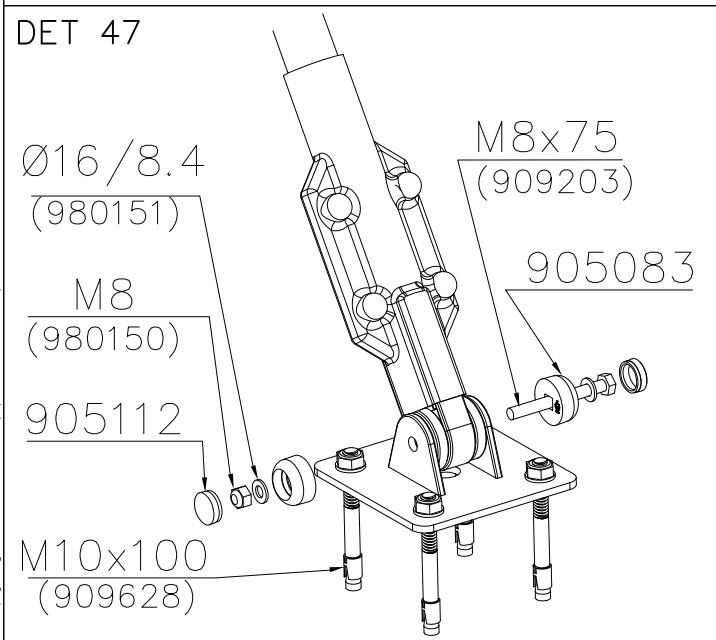
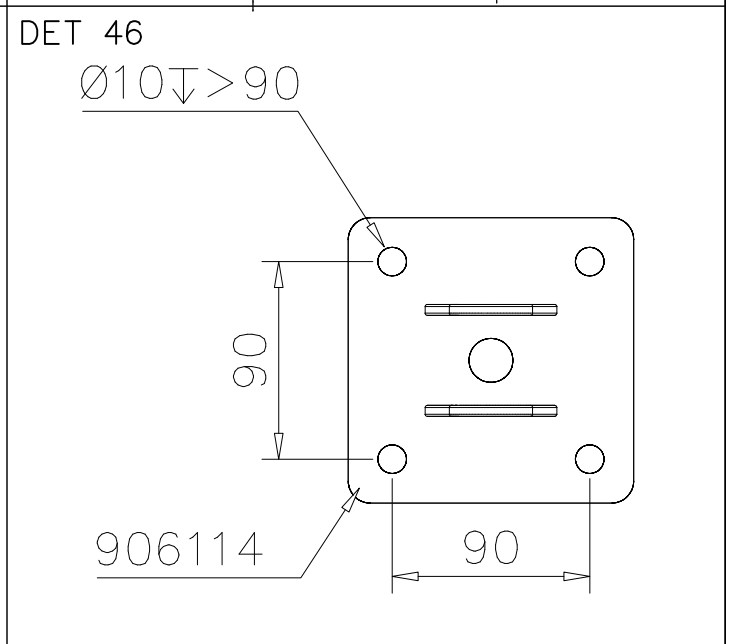
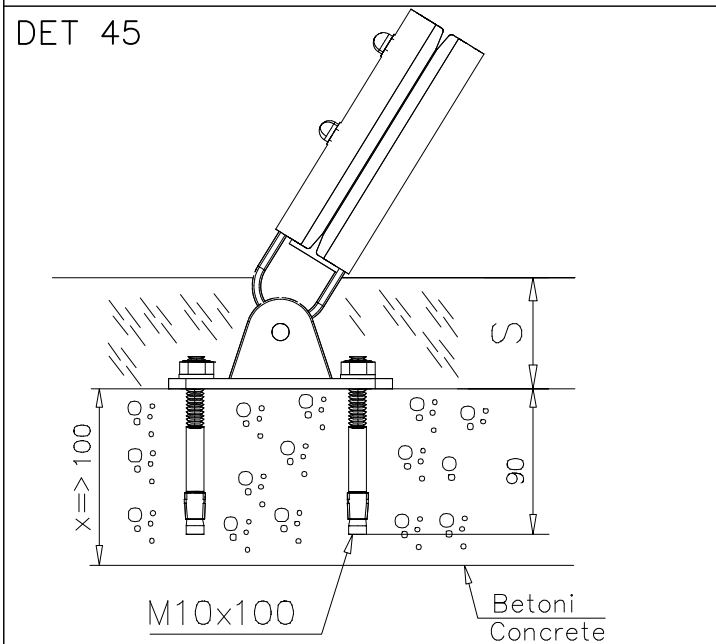
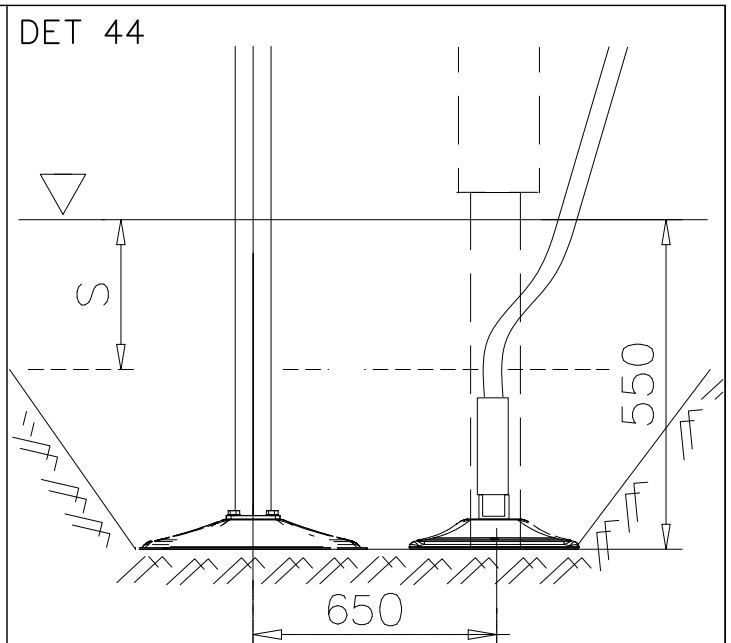
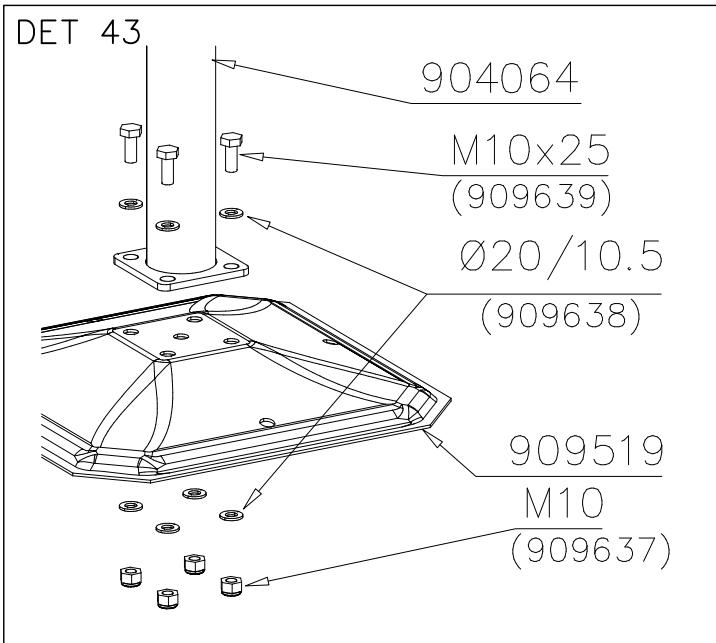
DET 42

LAPPSET SPORT

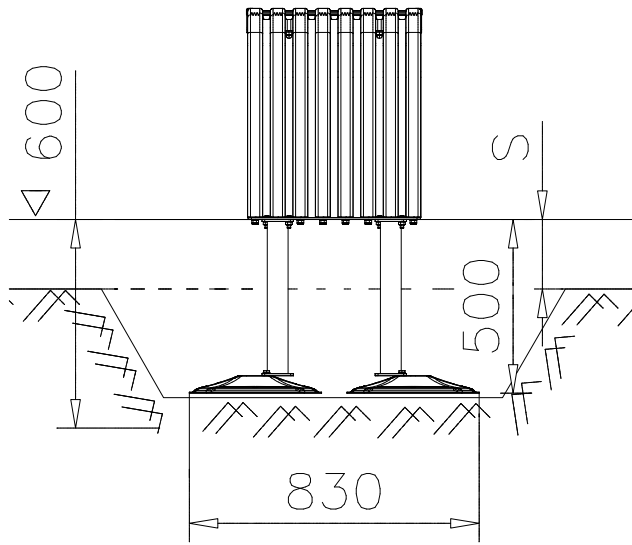
BASE

DATE: 15.8.2017

8(10)



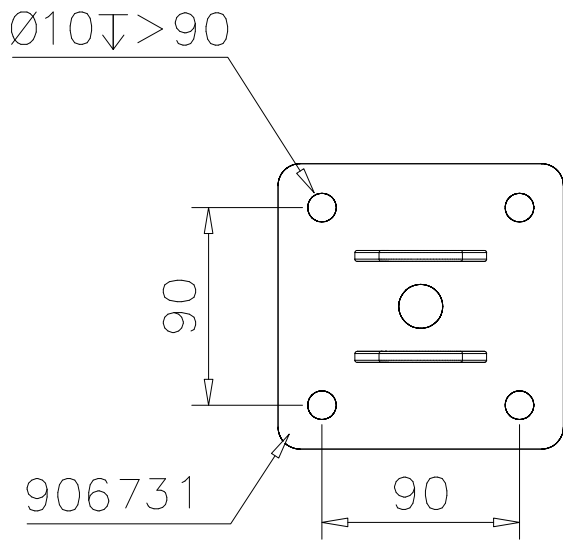
DET 49



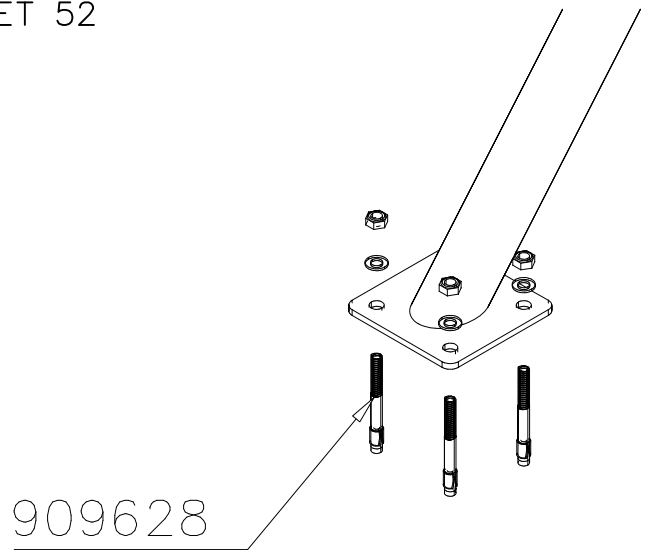
DET 50



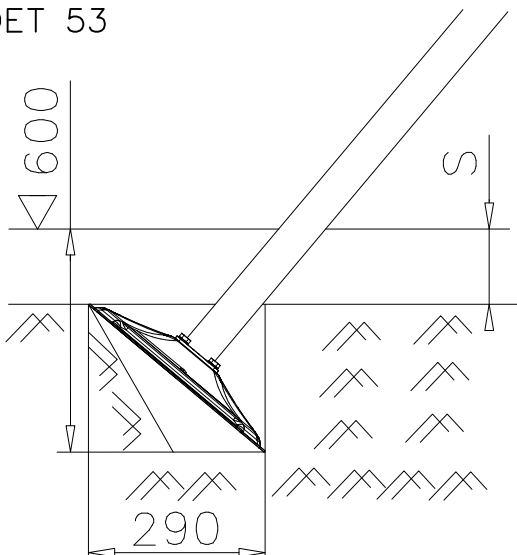
DET 51



DET 52



DET 53

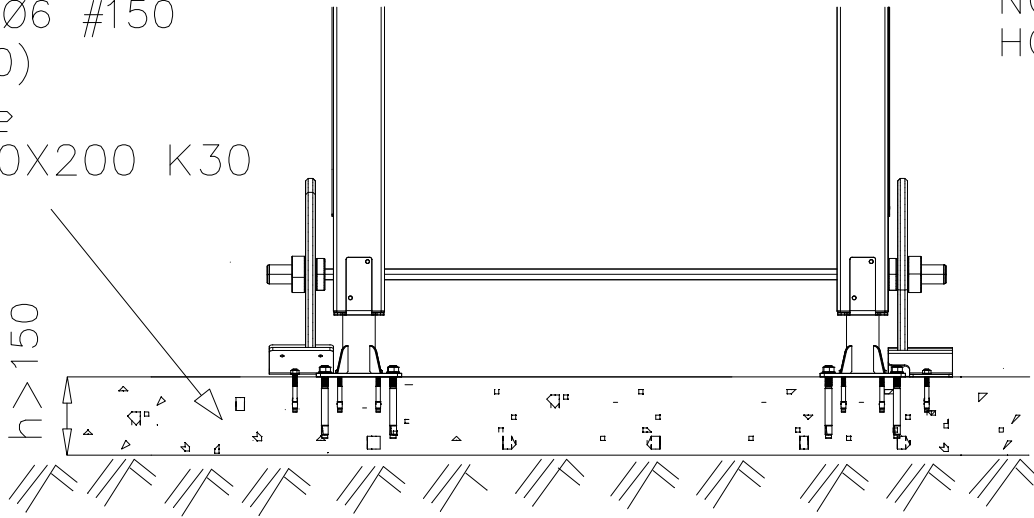


DET 54



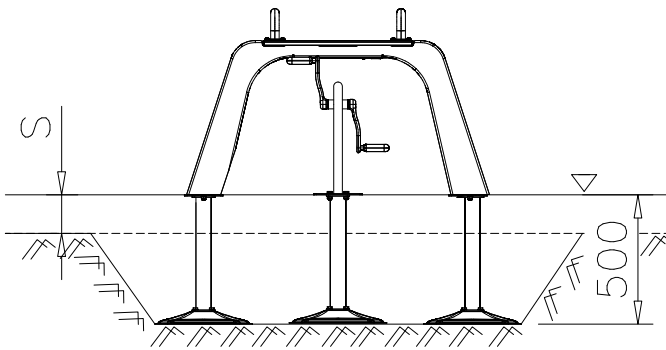
DET 55

STEELNET Ø6 #150
(1400x2100)
Concrete
1500X2200X200 K30

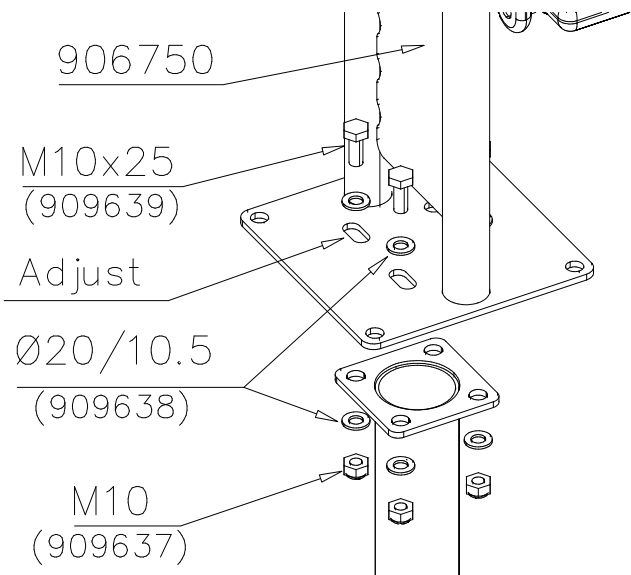


NOTE!
HOX!

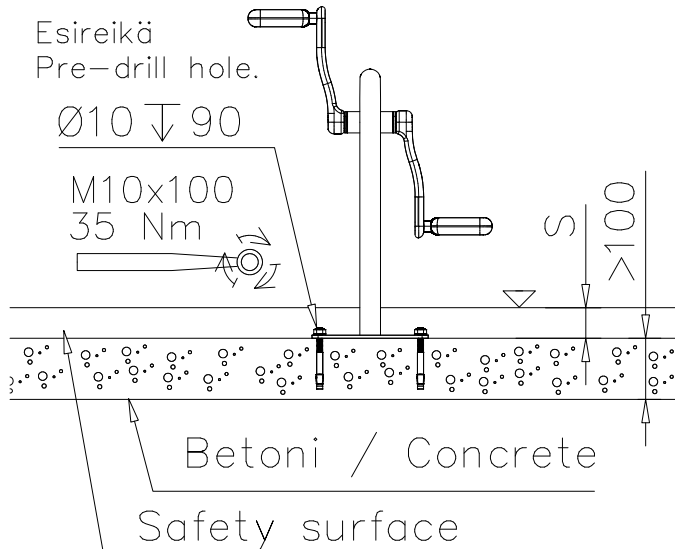
DET 56



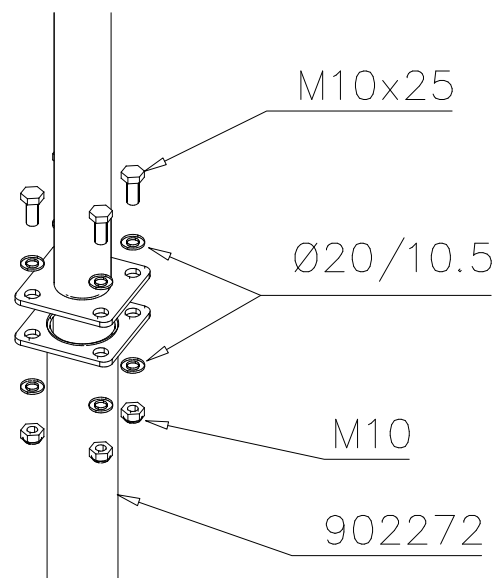
DET 57



DET 58



DET 59



DET 1



DET 2



DET 3



DET 4



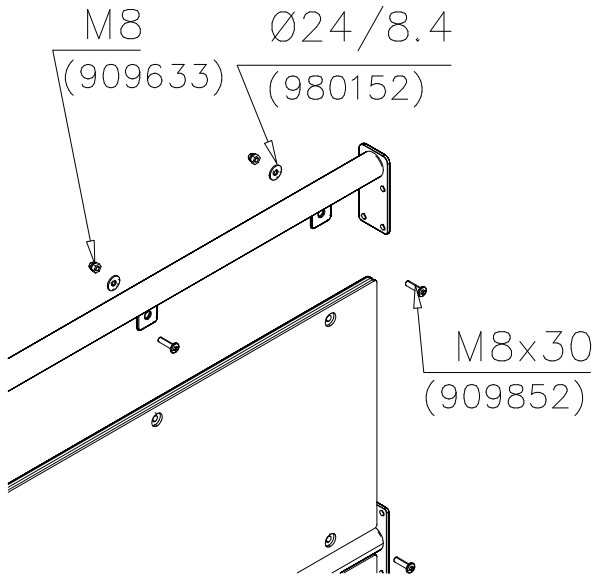
DET 5



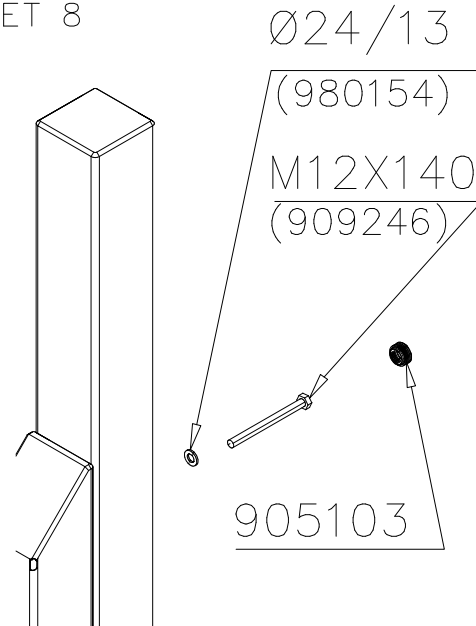
DET 6



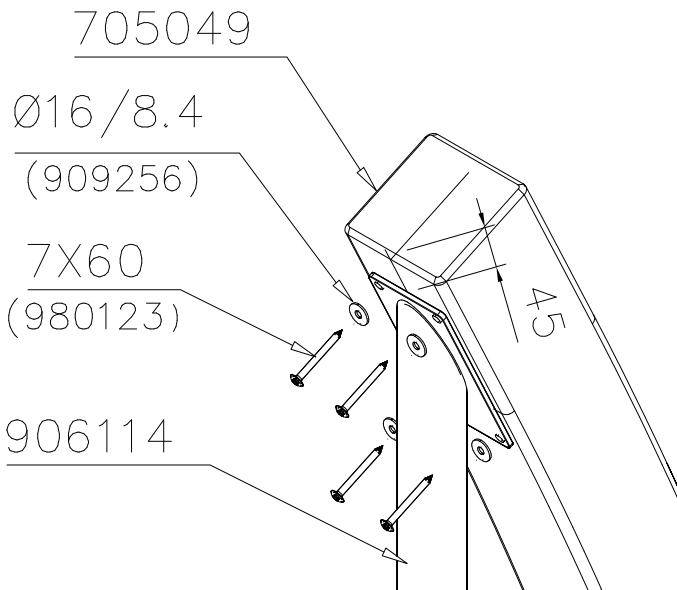
DET 7



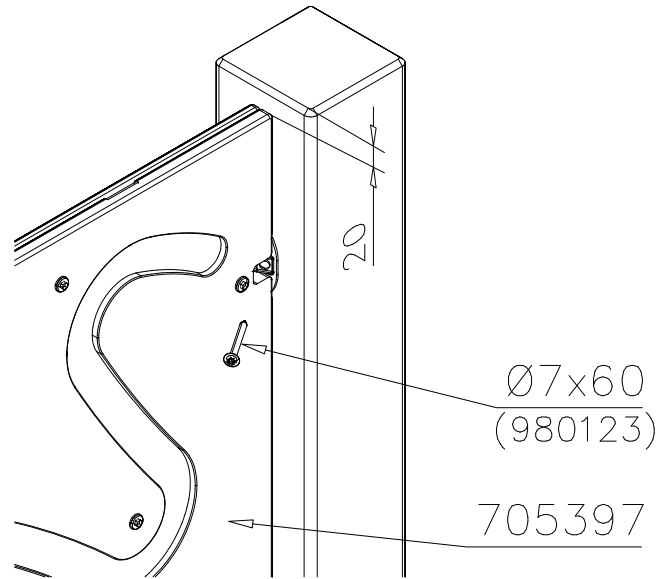
DET 8



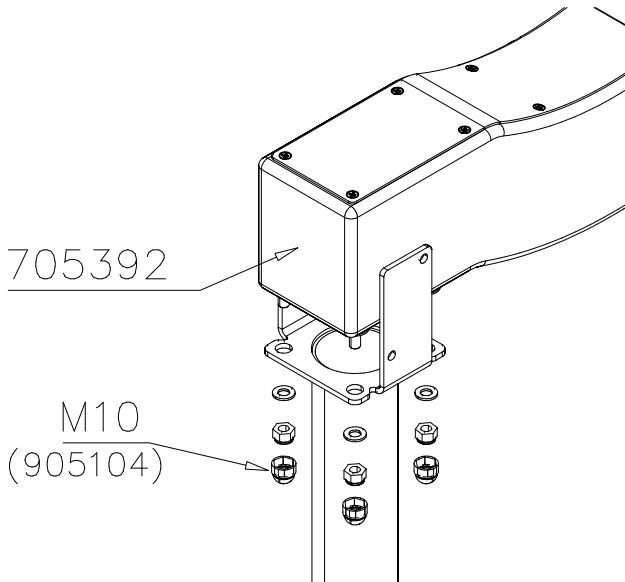
DET 9



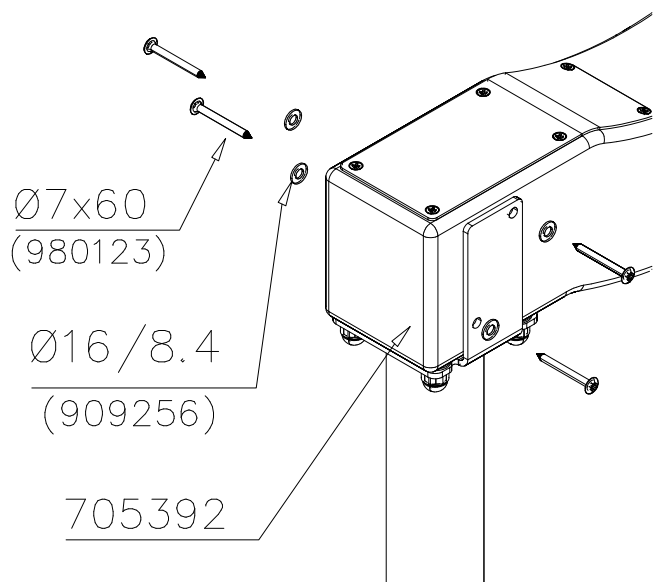
DET 10



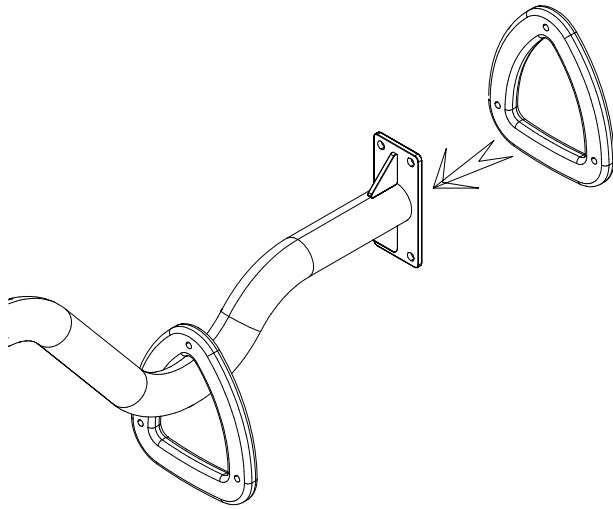
DET 11



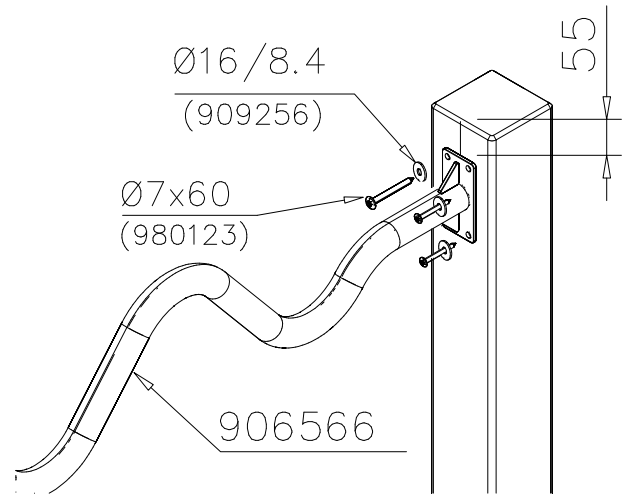
DET 12



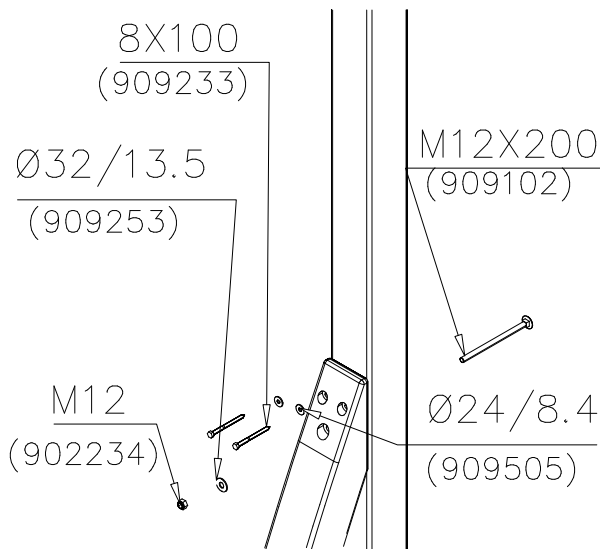
DET 13



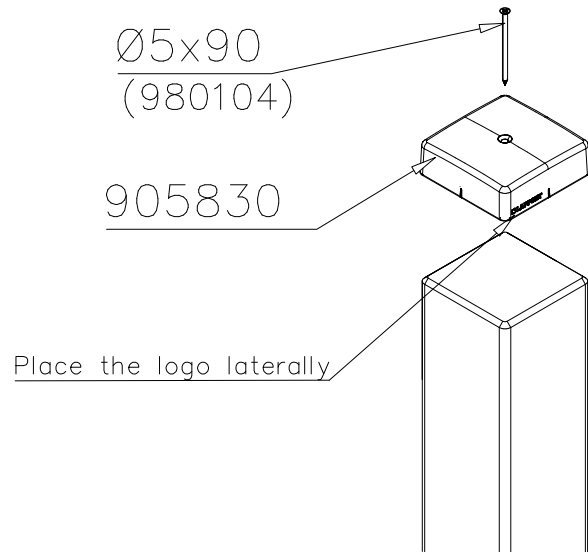
DET 14



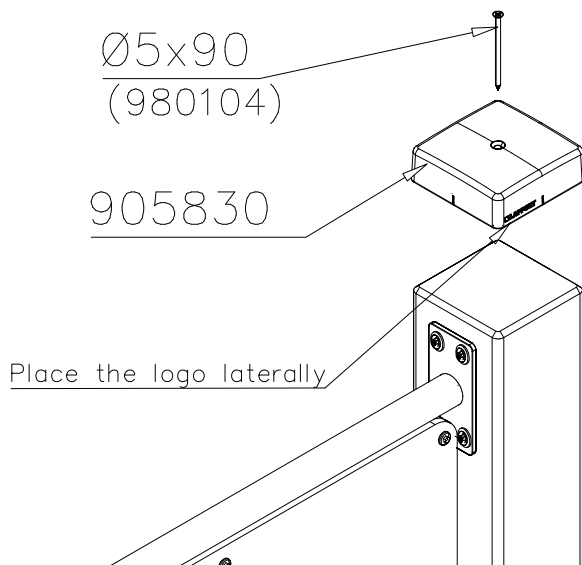
DET 15



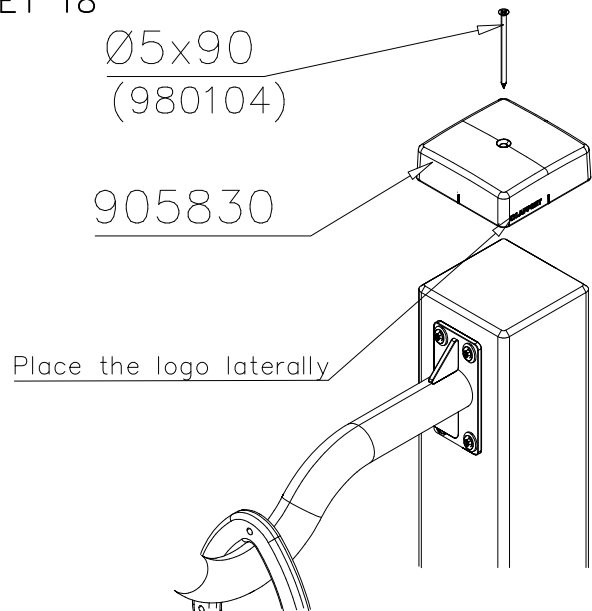
DET 16



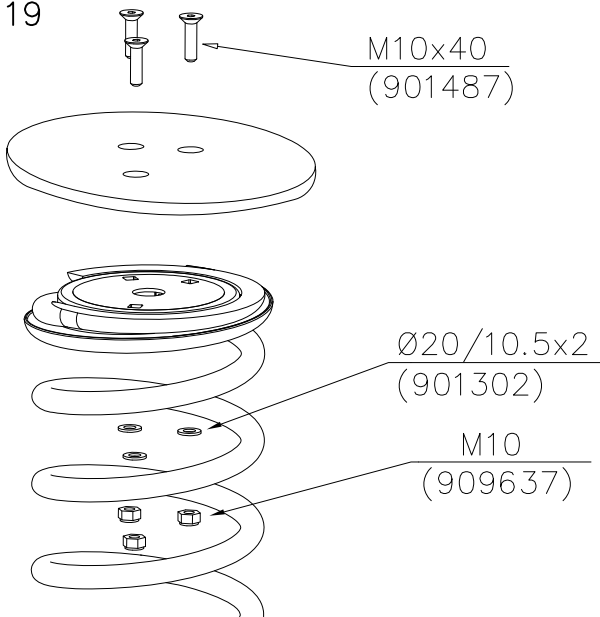
DET 17



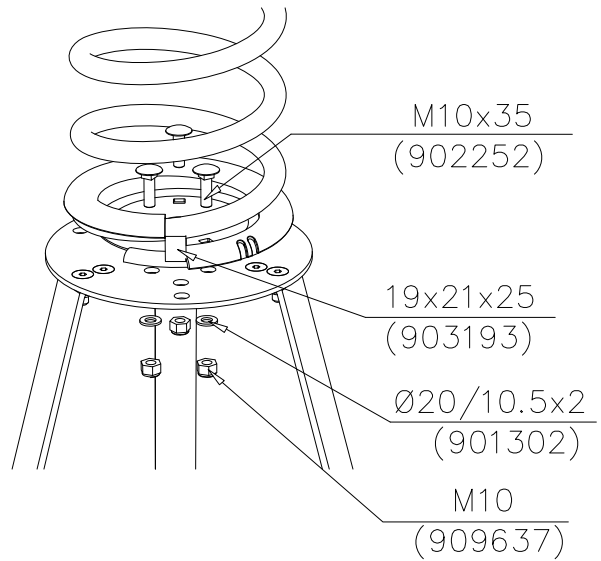
DET 18



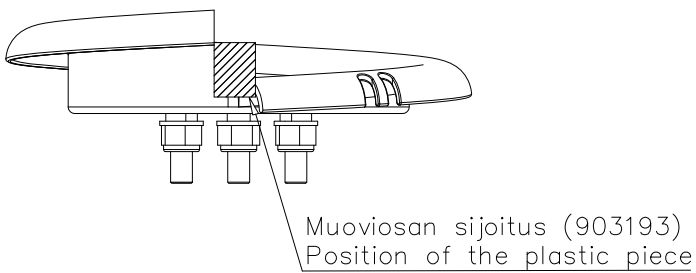
DET 19



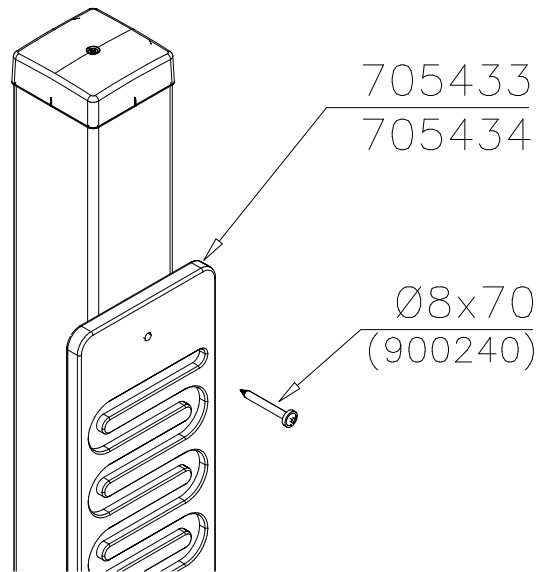
DET 20



DET 21



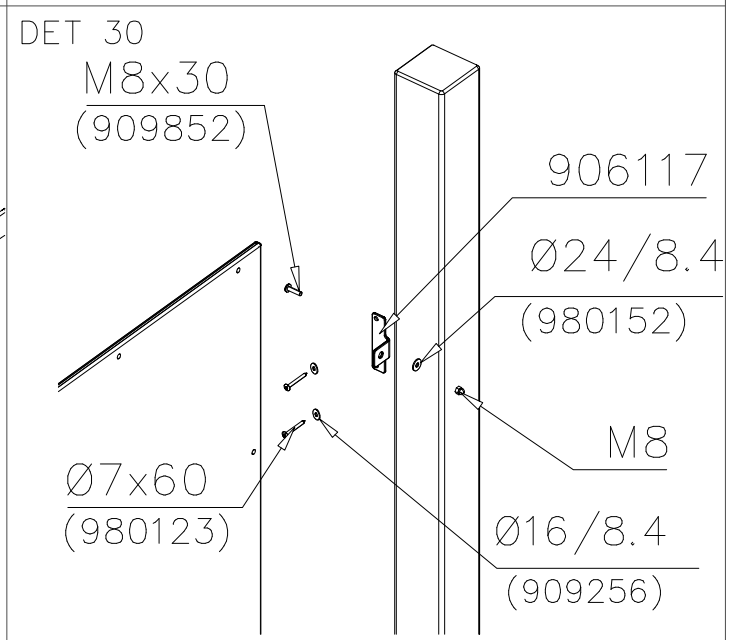
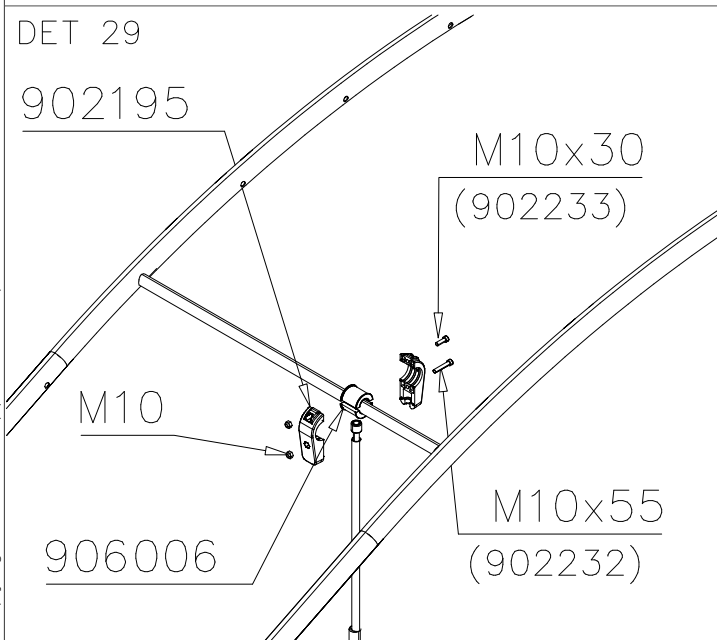
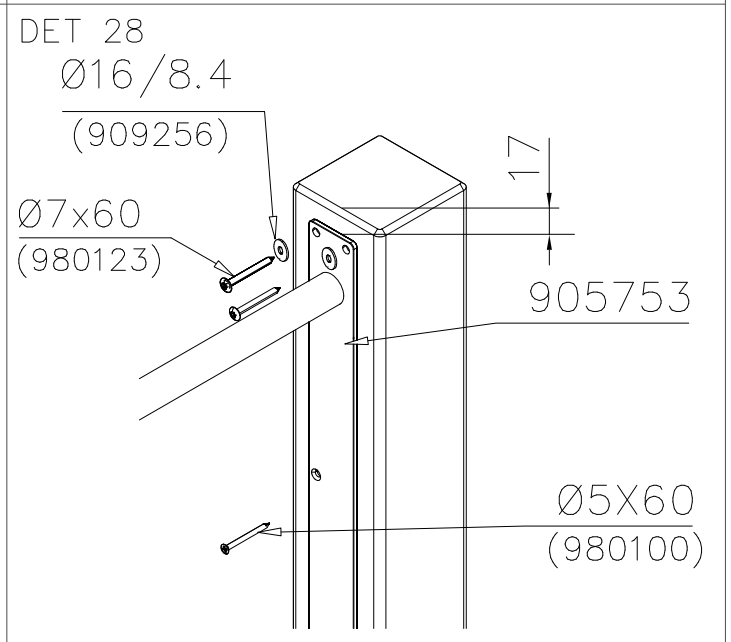
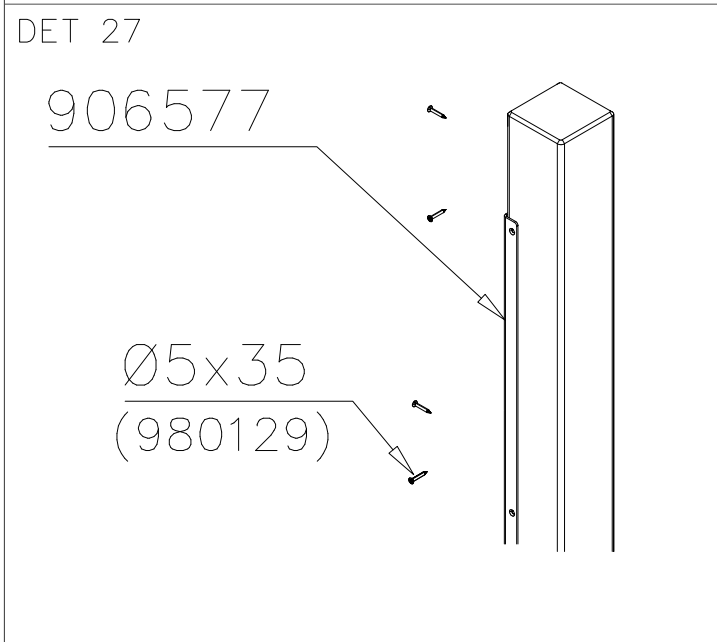
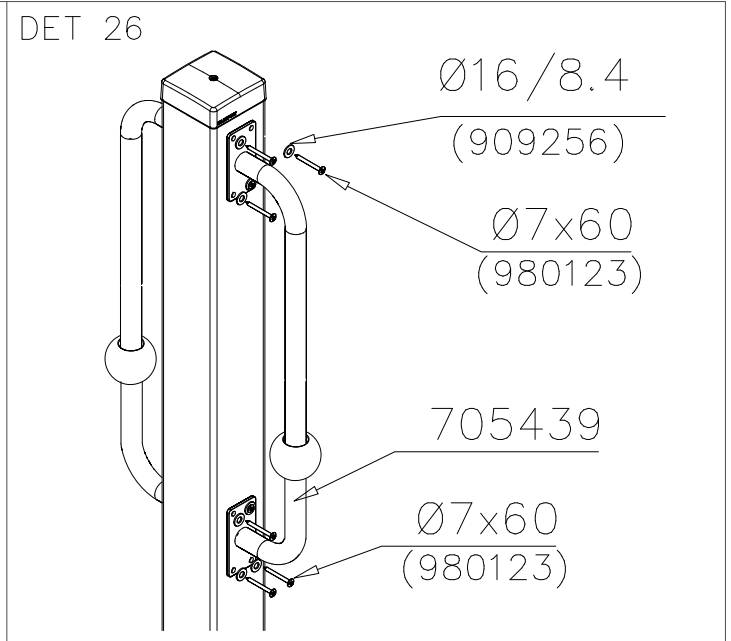
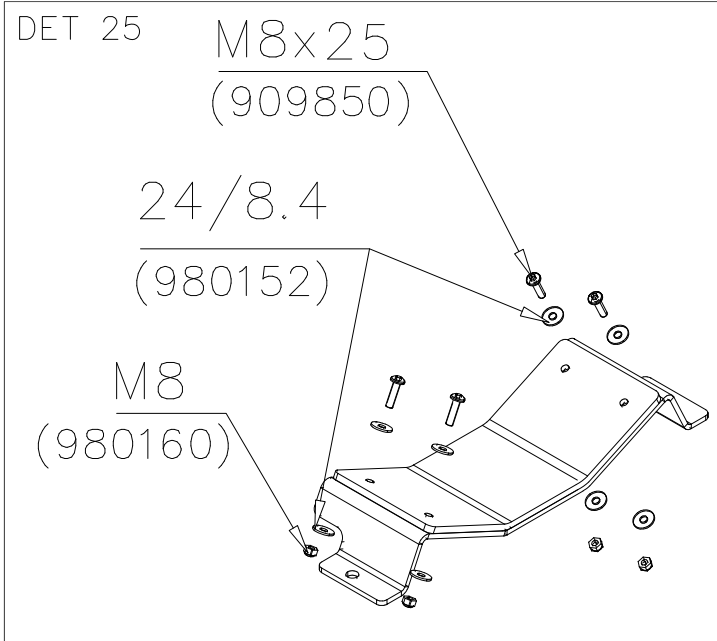
DET 22



DET 23



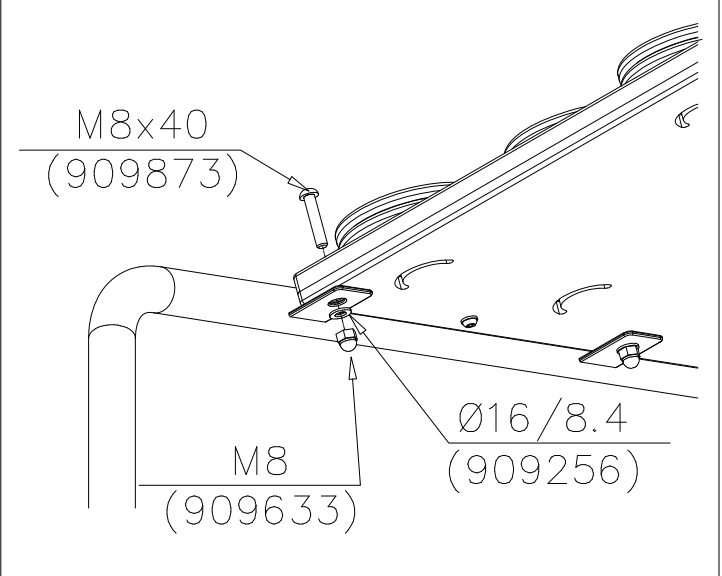
DET 24



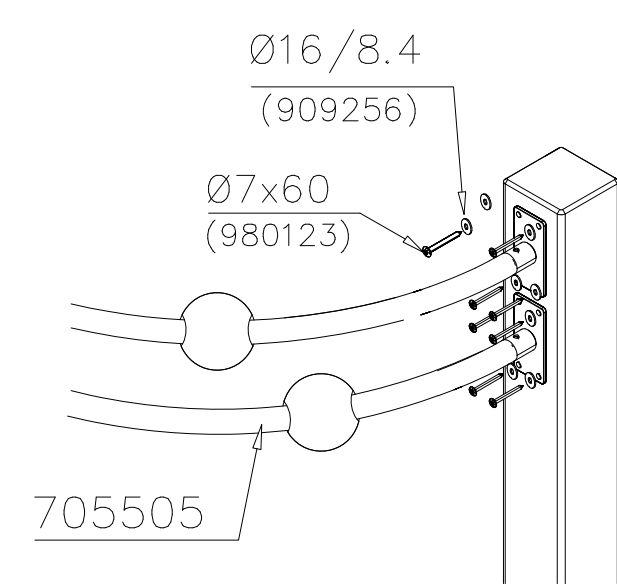
DET 31



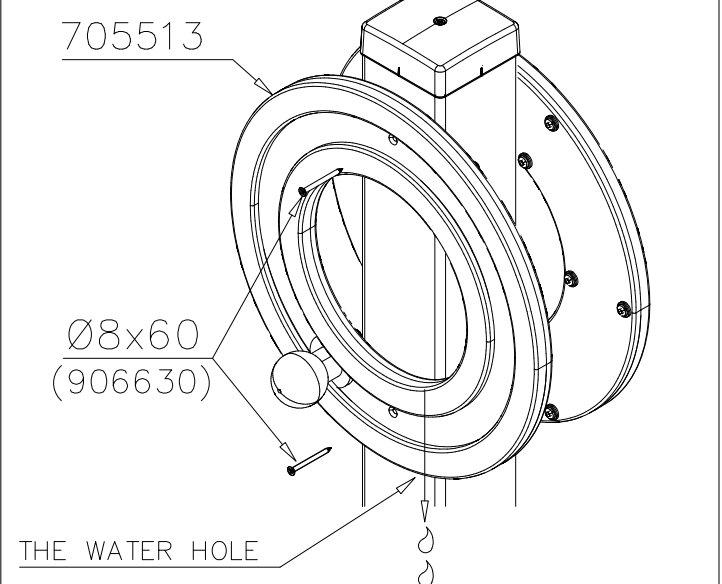
DET 32



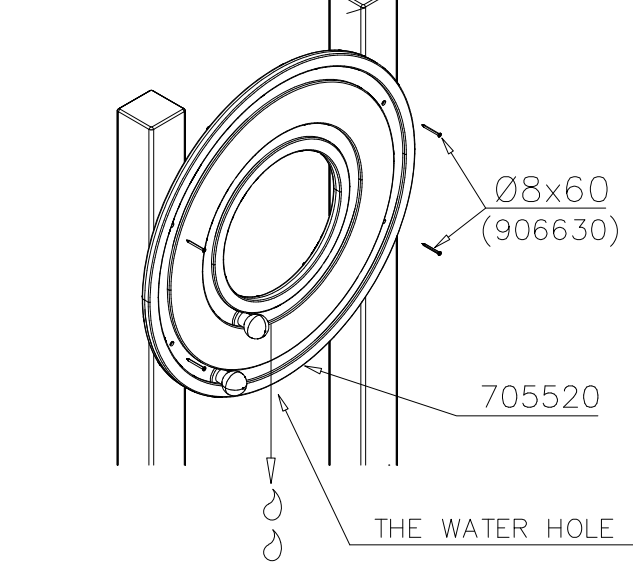
DET 33



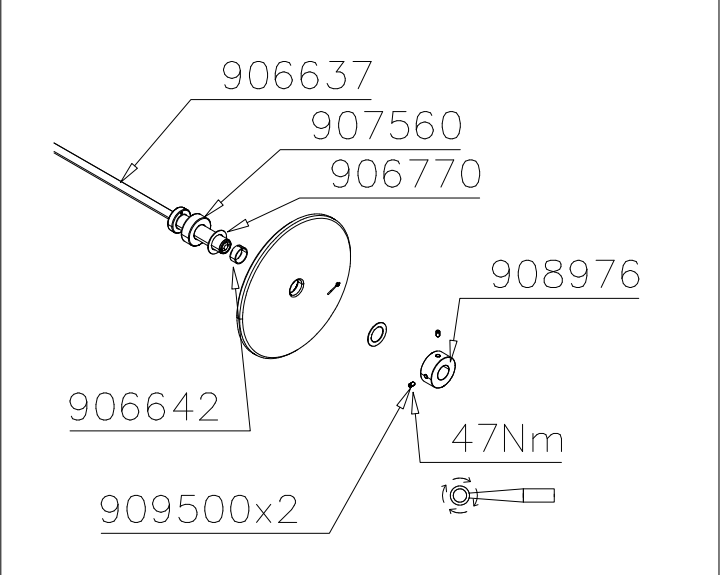
DET 34



DET 35



DET 36



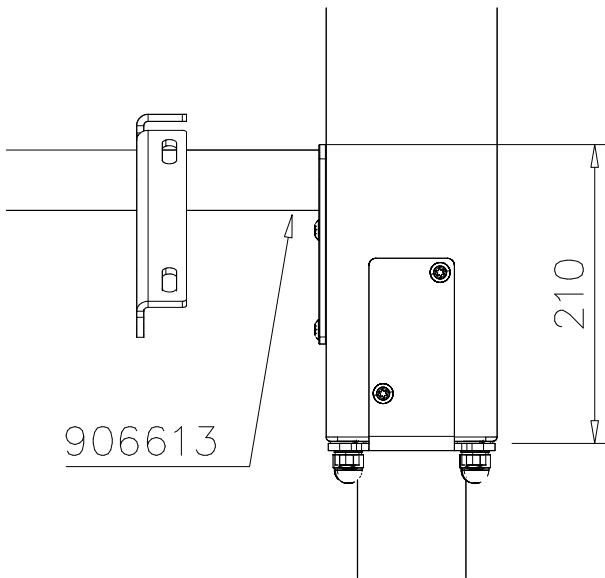
DET 37



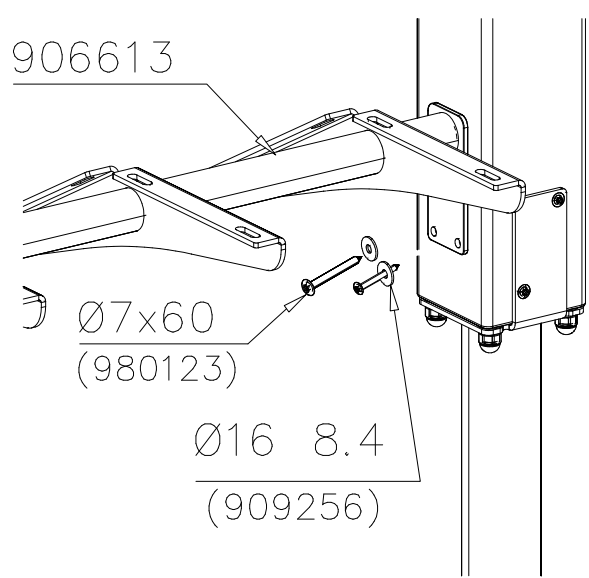
DET 38



DET 39



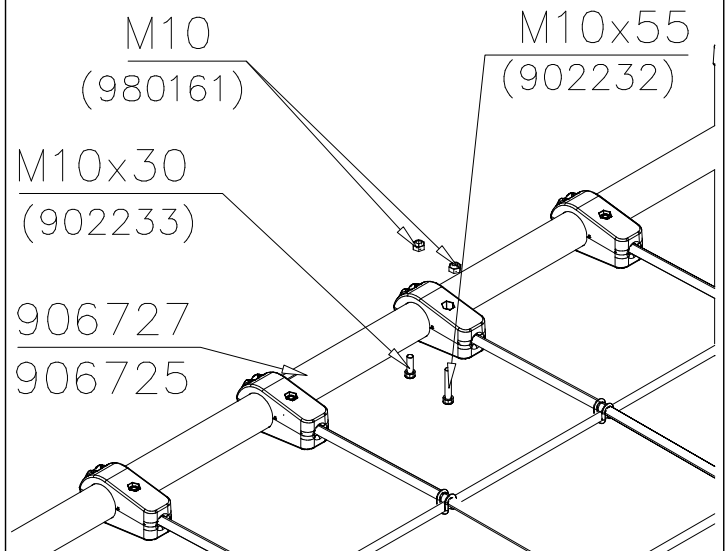
DET 40

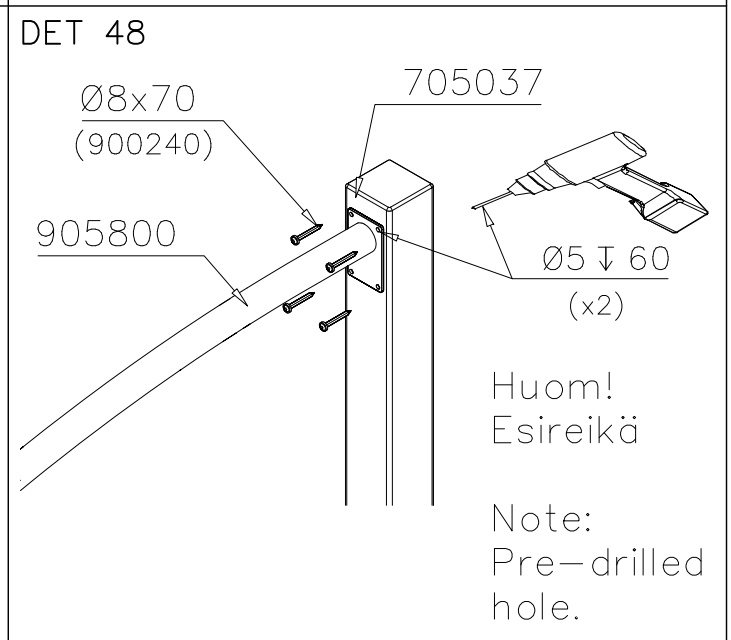
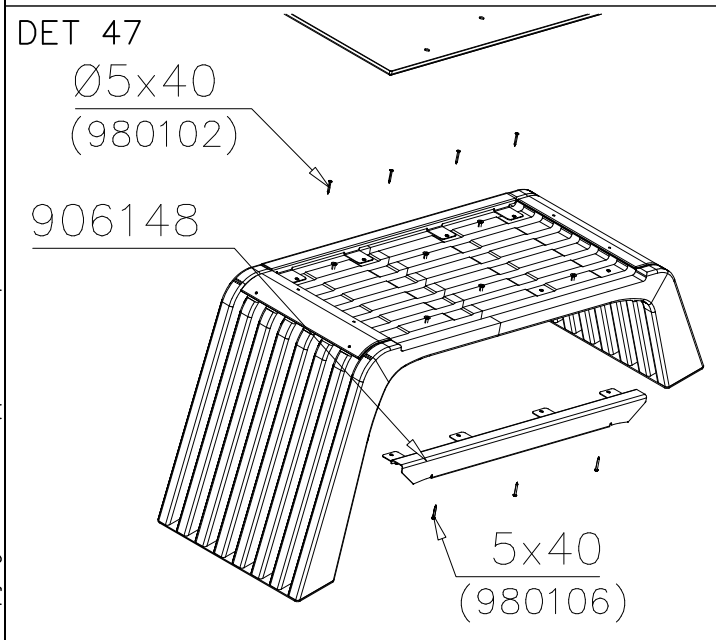


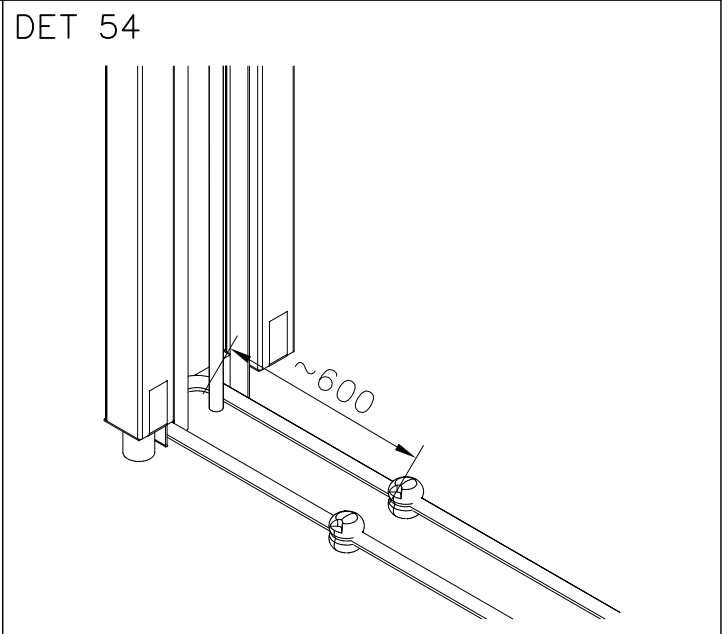
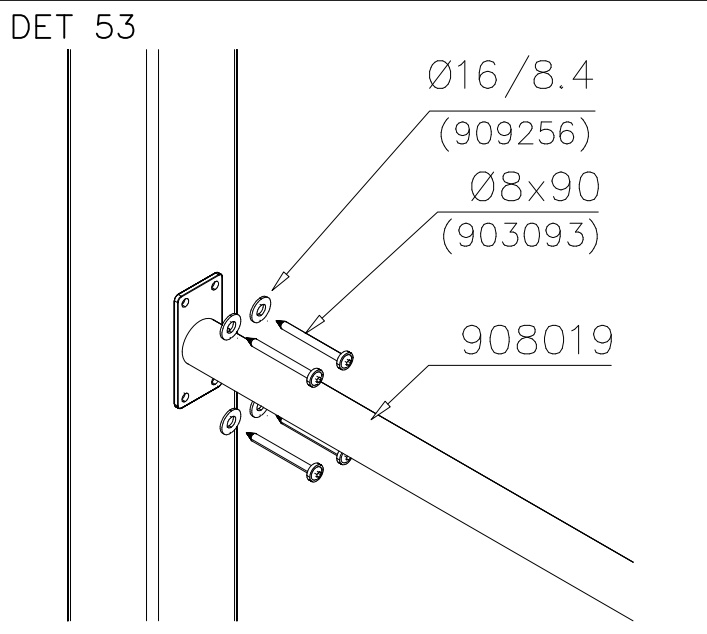
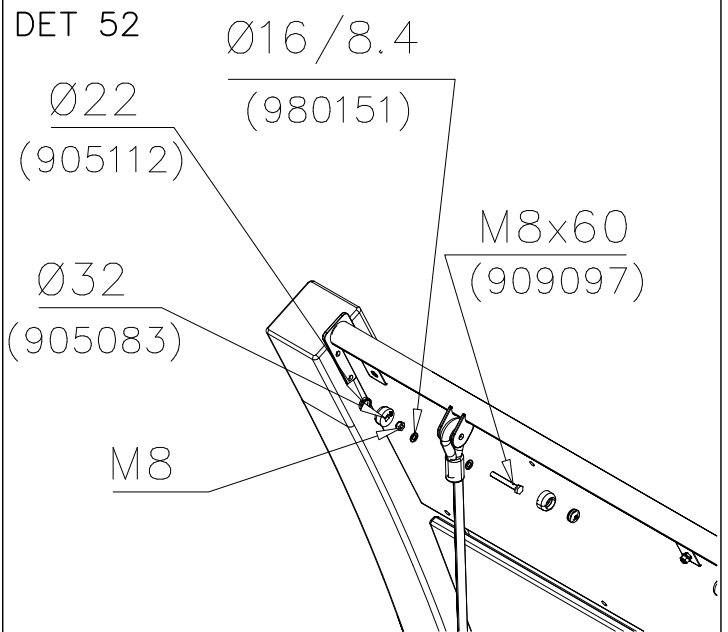
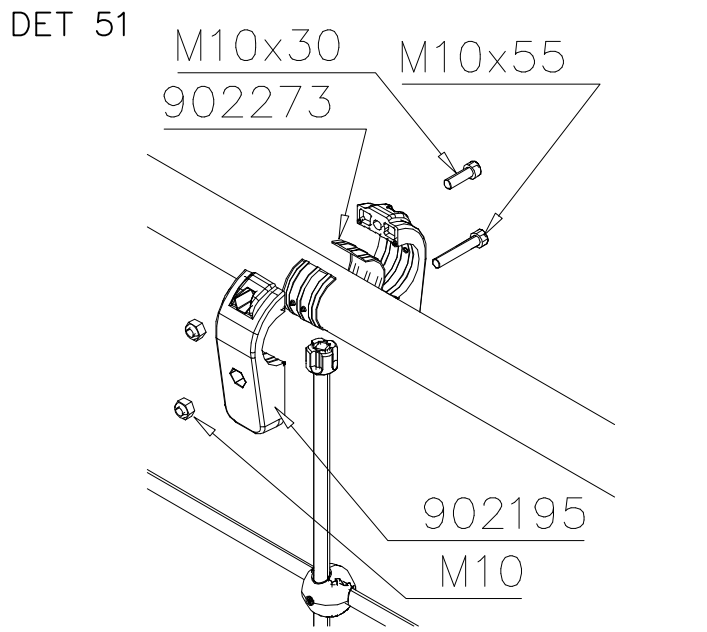
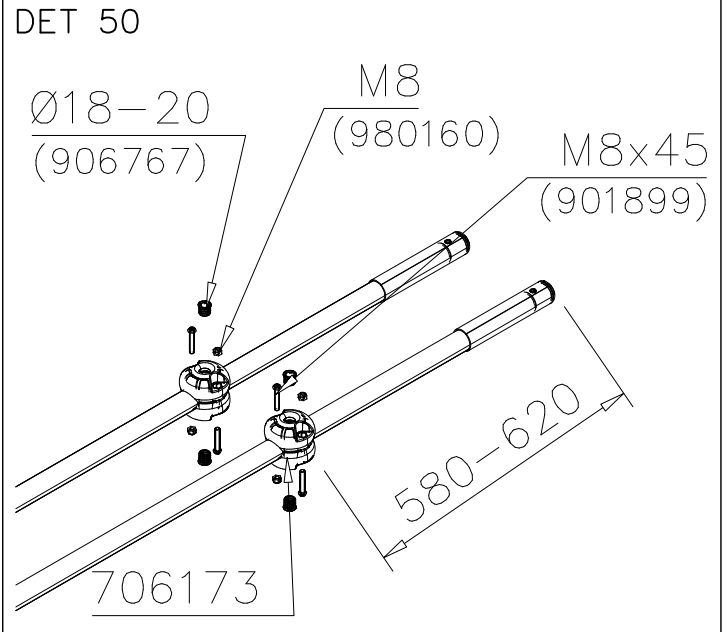
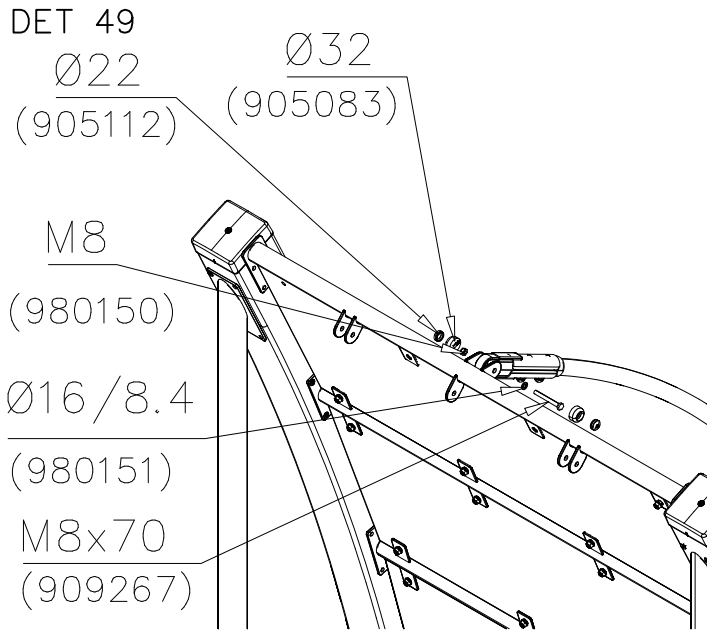
DET 41



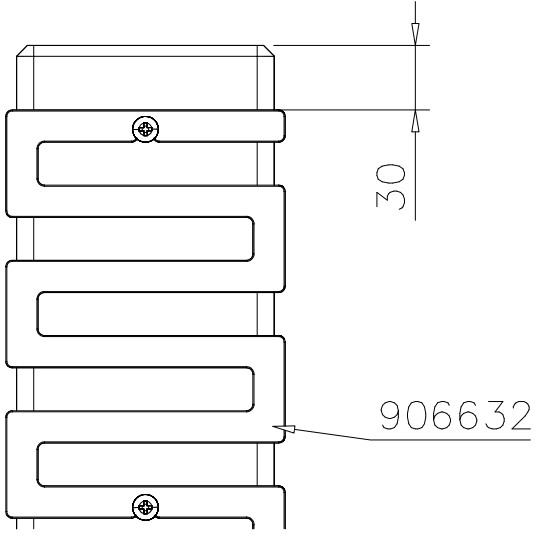
DET 42



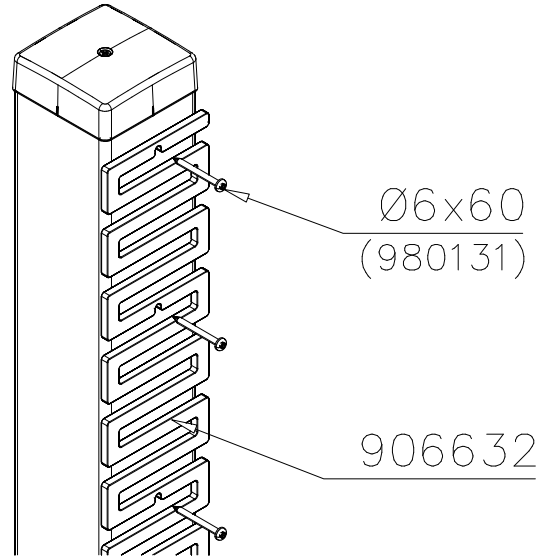




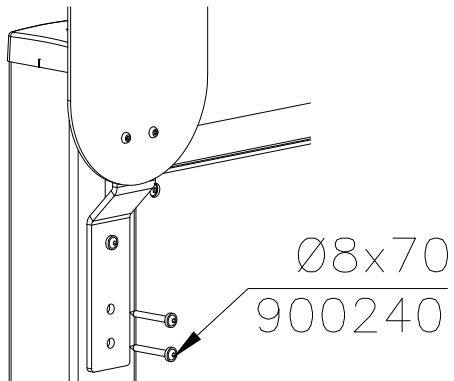
DET 55



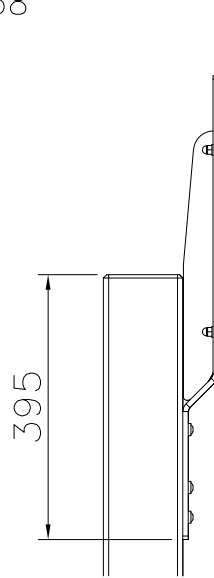
DET 56



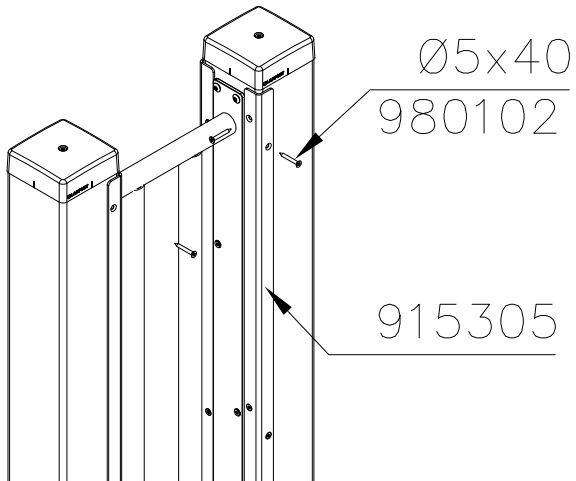
DET 57



DET 58

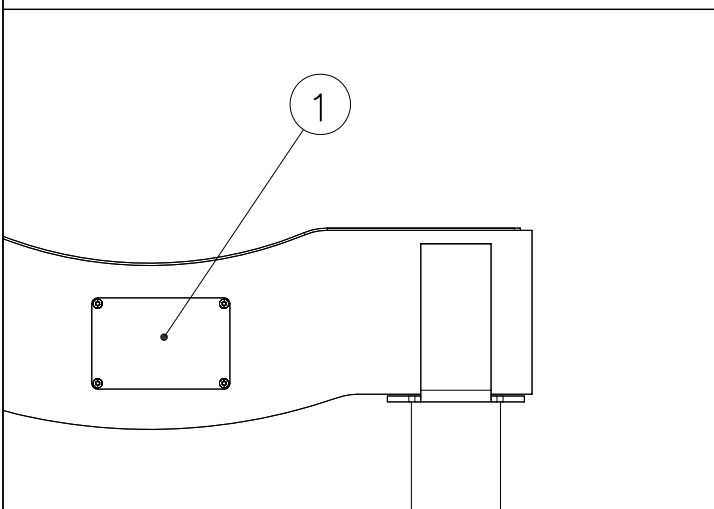
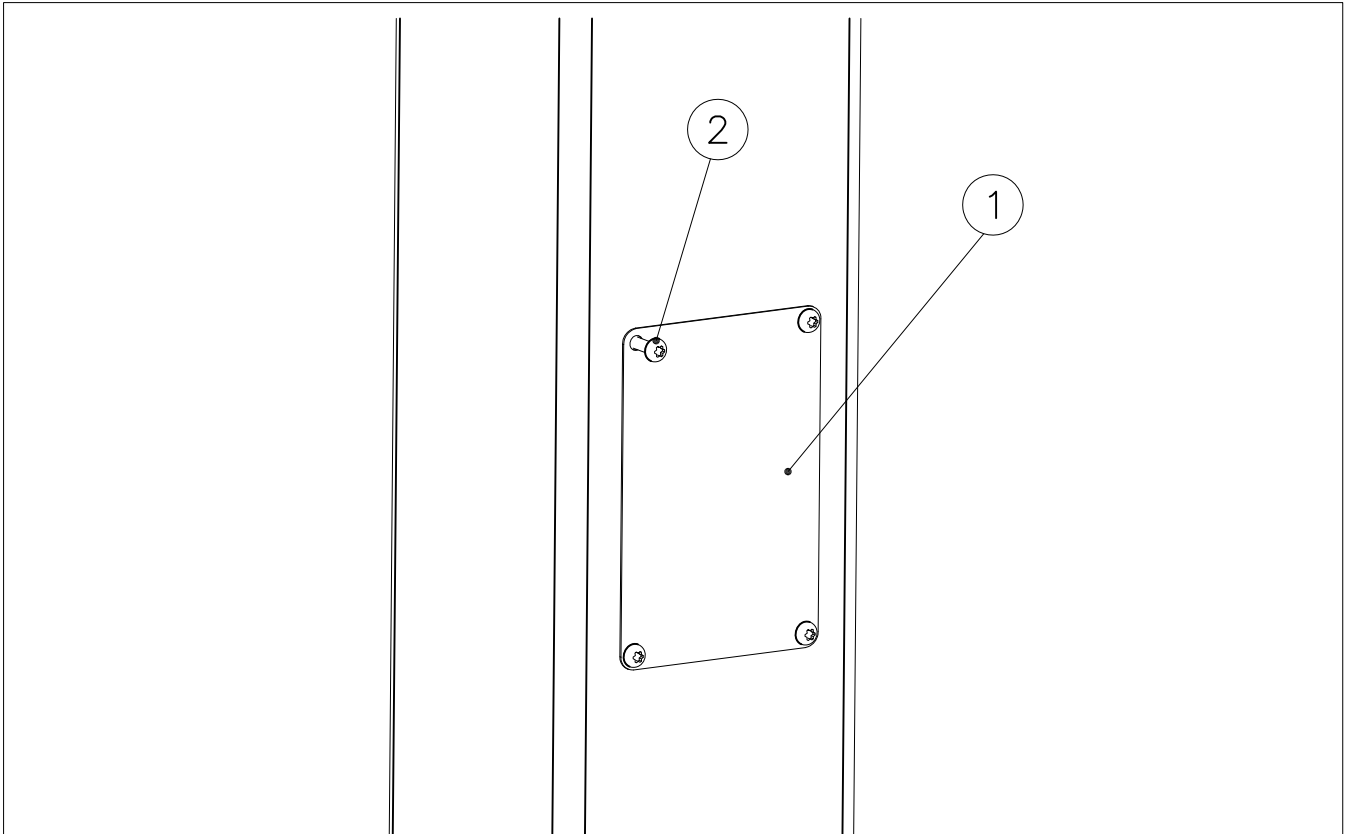


DET 59



DET 60

① SHEET METAL	PCS	② 980114	PCS
	1		4
118x78x0.7		Ø4x20	



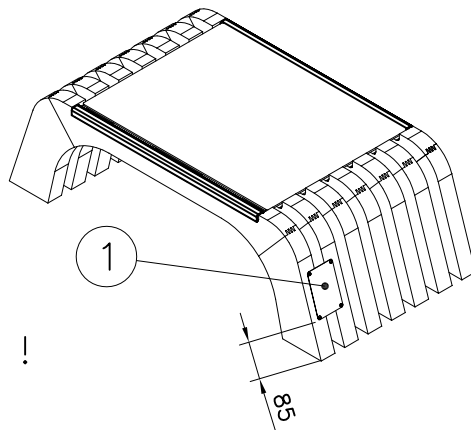
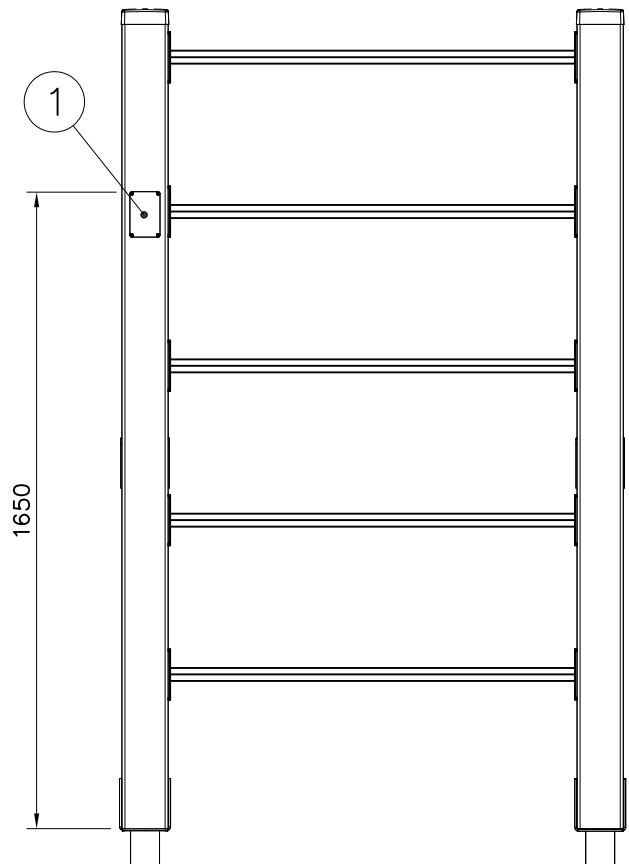
Example installation !
Esimerkki asennus !

Example installation !
Esimerkki asennus !

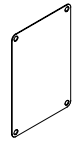

Example installation !
Esimerkki asennus !

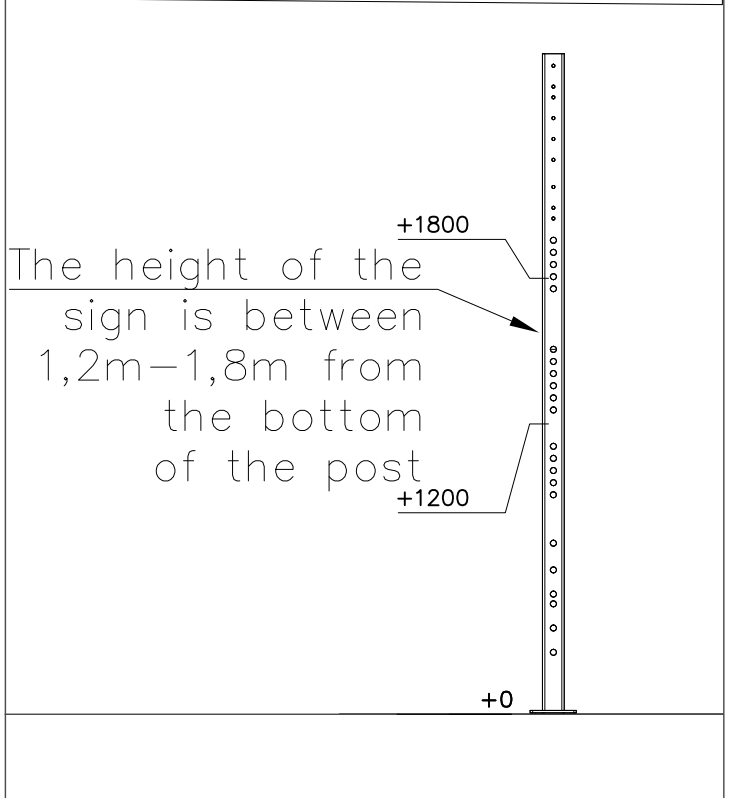
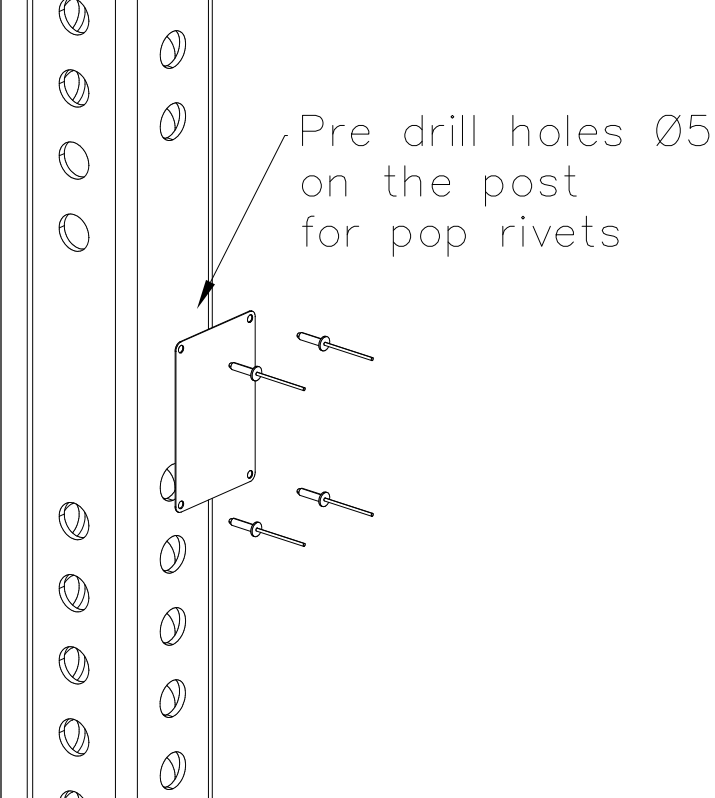
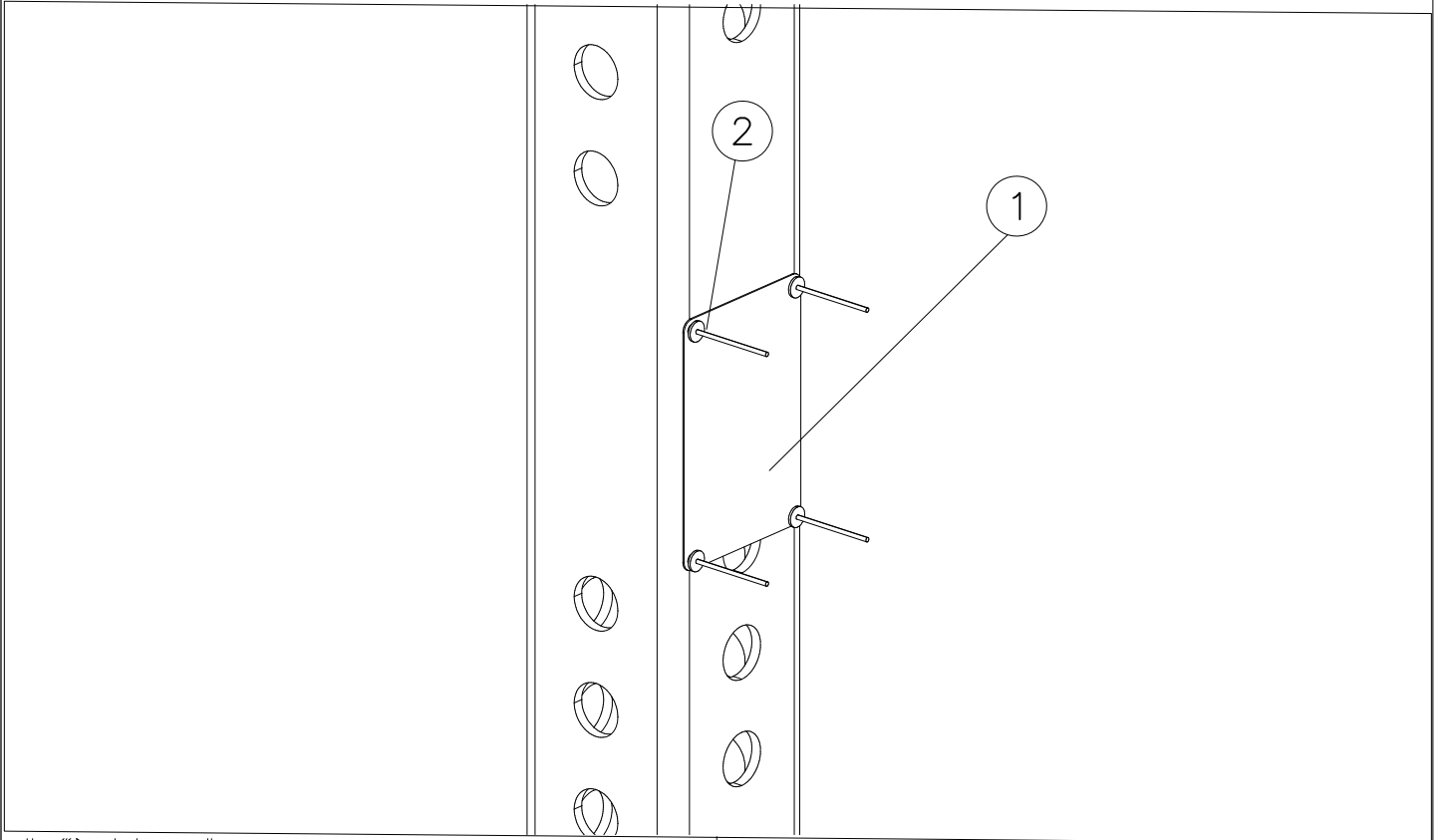


Example installation !
Esimerkki asennus !



Example installation !
Esimerkki asennus !

①	SIGN	PCS	②	905390	PCS
		1			4
118x78			Ø4,8x28		

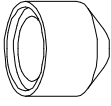


LAPPSET®
BETON FOUNDATION

FOOT

DATE: 27.10.2015

1(1)

② 905104	PCS		PCS
	4		
 M10	PCS		PCS



905104