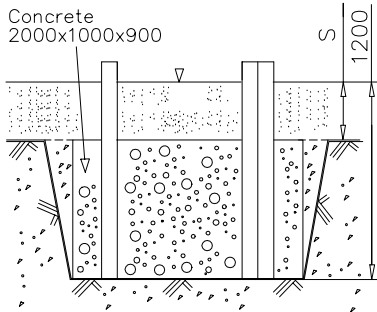
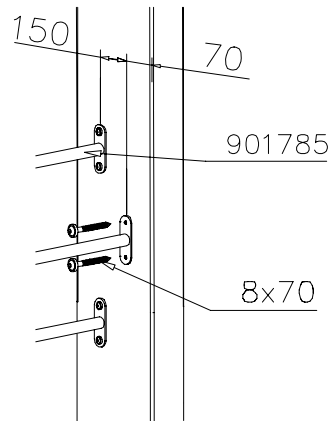


① 003105	PCS	② 006880	PCS
	1		1
		140x290x5100	
③ 006881	PCS	④ 006882	PCS
	2		1
140x290x3390		140x290x3055	
⑤ 909390	PCS	⑥ 905104	PCS
	1		4
		M10	
⑦ 901785	PCS	⑧ 909133	PCS
	3		11
L 1104		M12x260	
⑨ 900240	PCS	⑩ 909248	PCS
	12		11
8x70		M12	
	PCS	⑪ 980154	PCS
			22
		Ø24/13	
	PCS		PCS
	PCS		PCS

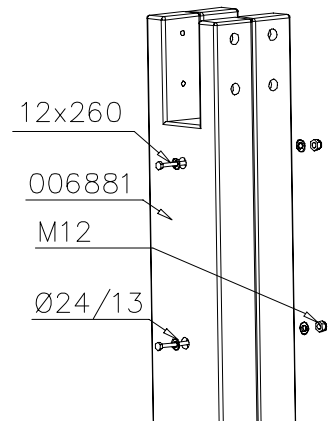
DET 1



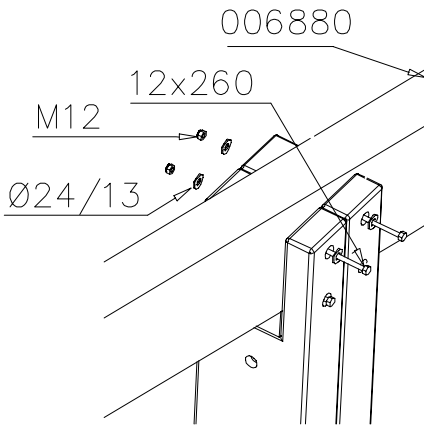
DET 2



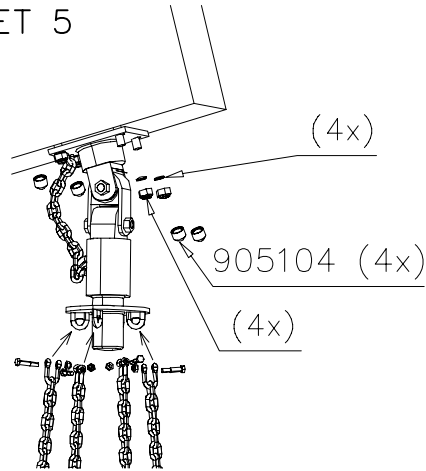
DET 3



DET 4



DET 5



— EN Impact Area 54.5 m2
 - - - Falling Space 54.5 m2
 Max Falling Height 1450 mm

