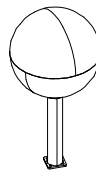
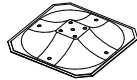
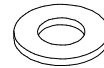
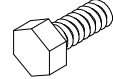
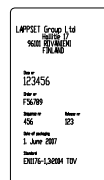
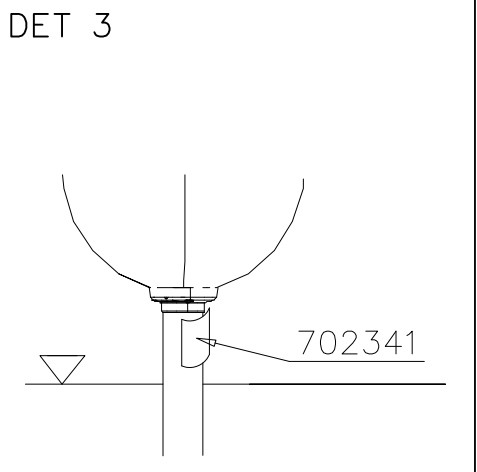
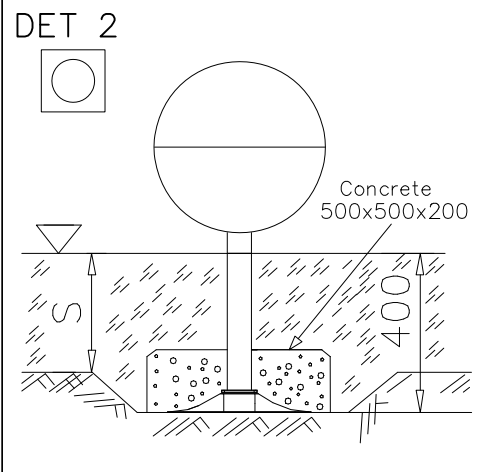
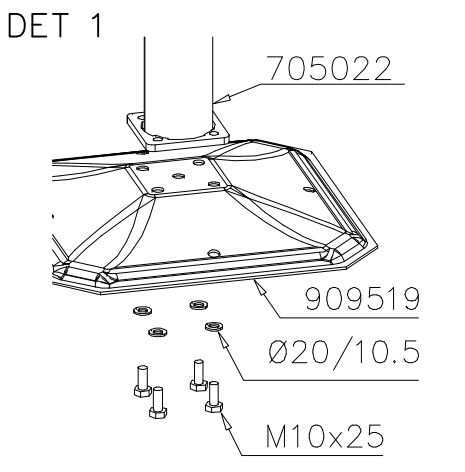
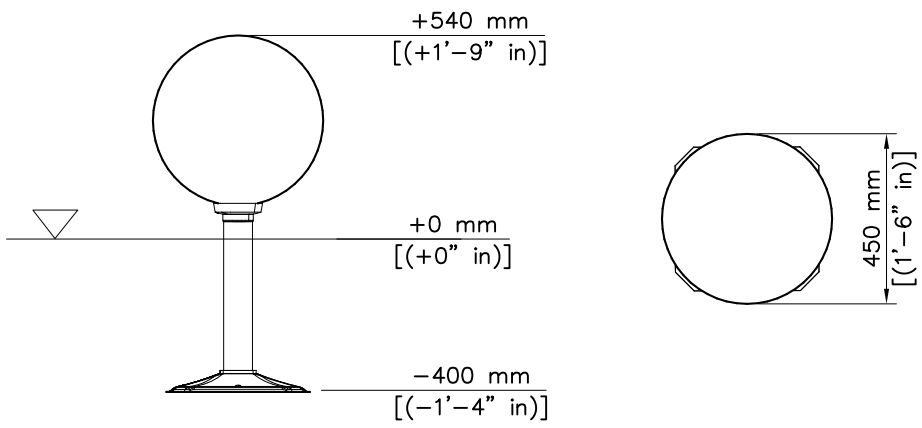
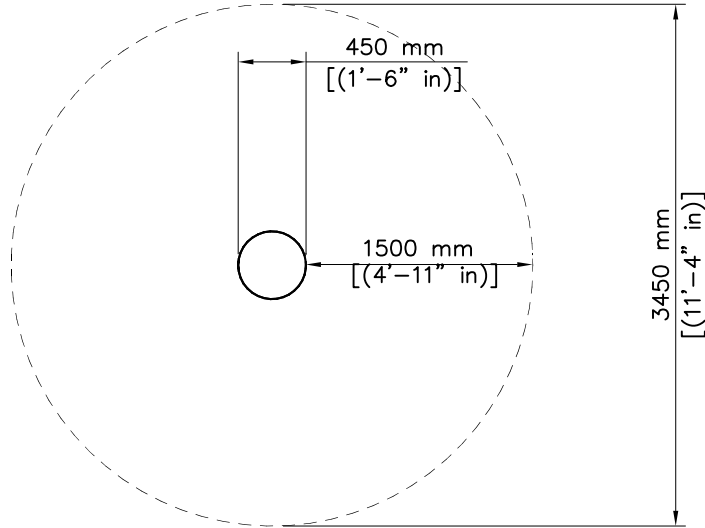
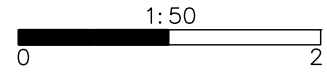
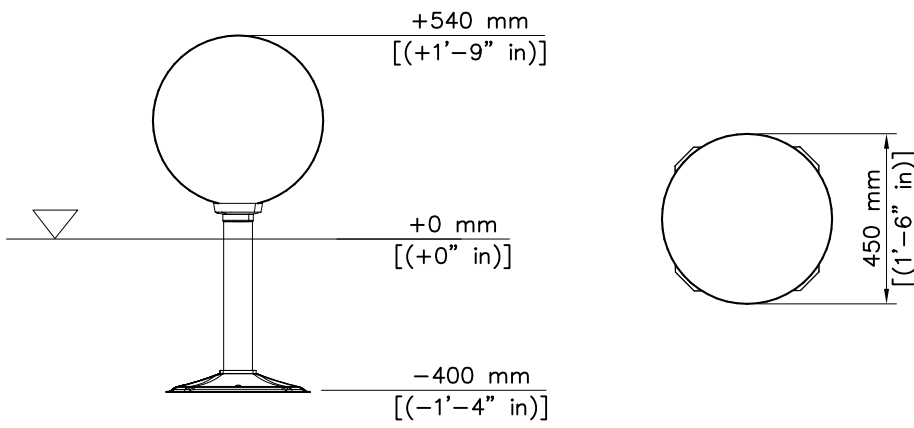
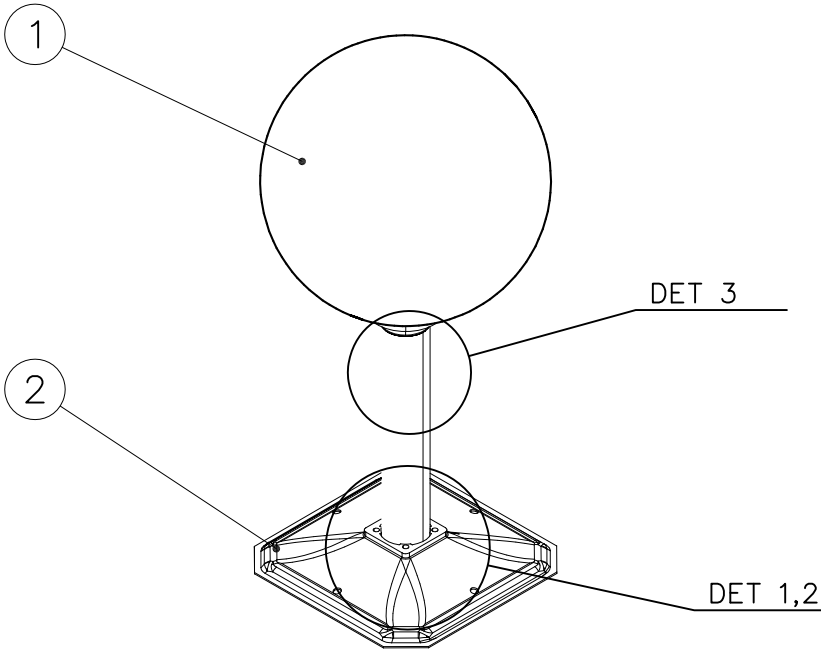


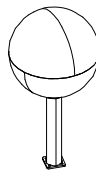
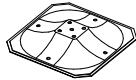
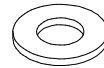
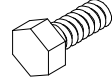
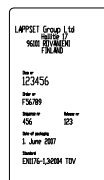
① 705022	PCS	② 909519	PCS
	1		1
		380X380	
③ 909638	PCS	④ 909639	PCS
	4		4
Ø20/10.5		M10x25	
⑤ 702341	PCS		PCS
	1		
	PCS		PCS
	PCS		PCS
	PCS		PCS



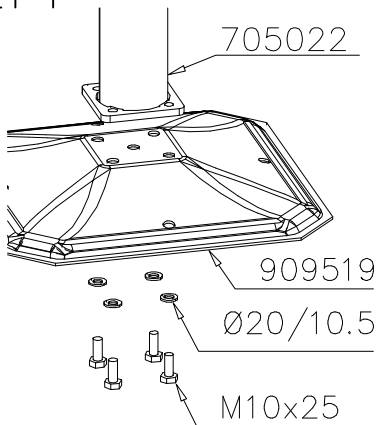
----- Falling Space 9.3 m² (100 sq ft)
Max Falling Height 520 mm (1'-9" in)



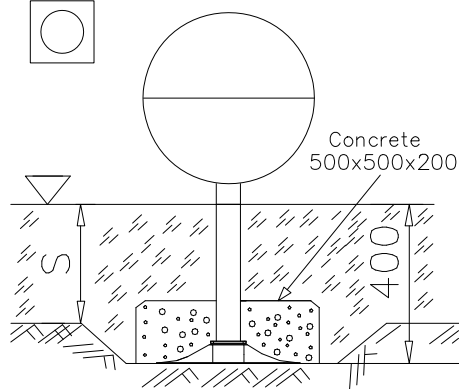


① 705022	PCS	② 909519	PCS
	1		1
		380X380	
③ 909638	PCS	④ 909639	PCS
	4		4
Ø20/10.5		M10x25	
⑤ 702341	PCS		PCS
	1		
	PCS		PCS
	PCS		PCS
	PCS		PCS

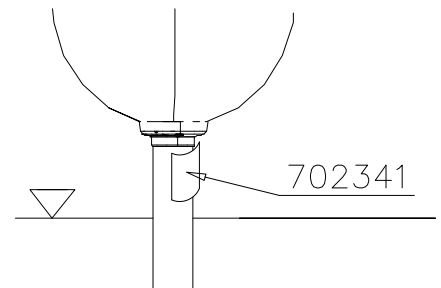
DET 1



DET 2



DET 3



----- Falling Space 9.3 m² (100 sq ft)
Max Falling Height 520 mm (1'-9" in)

