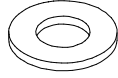
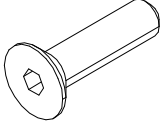



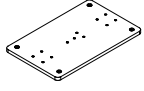
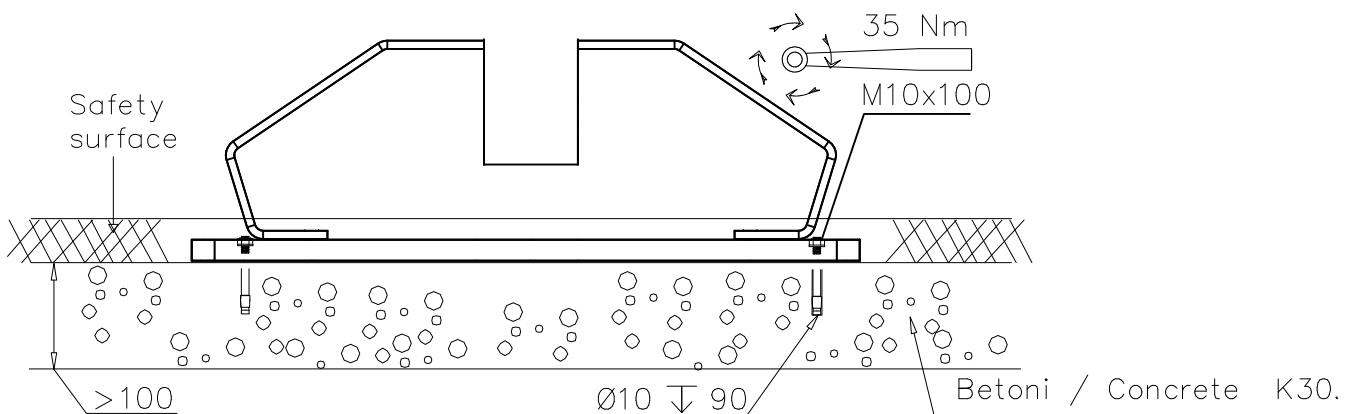
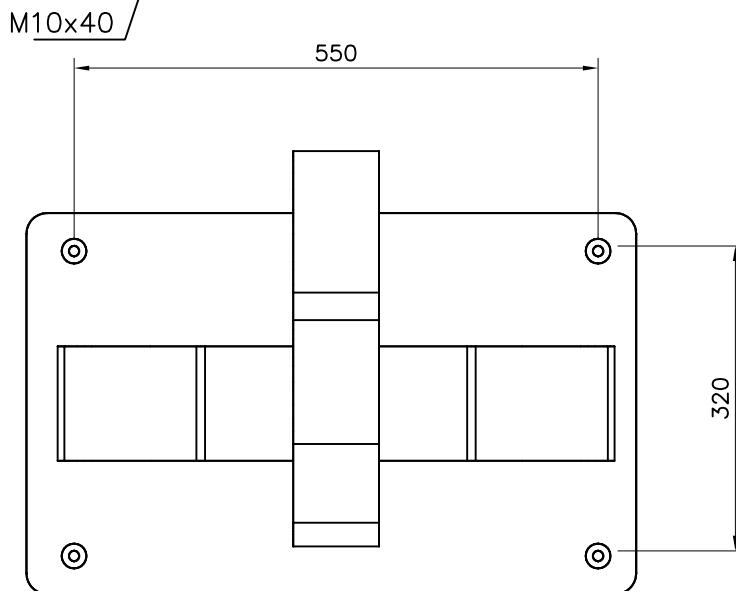
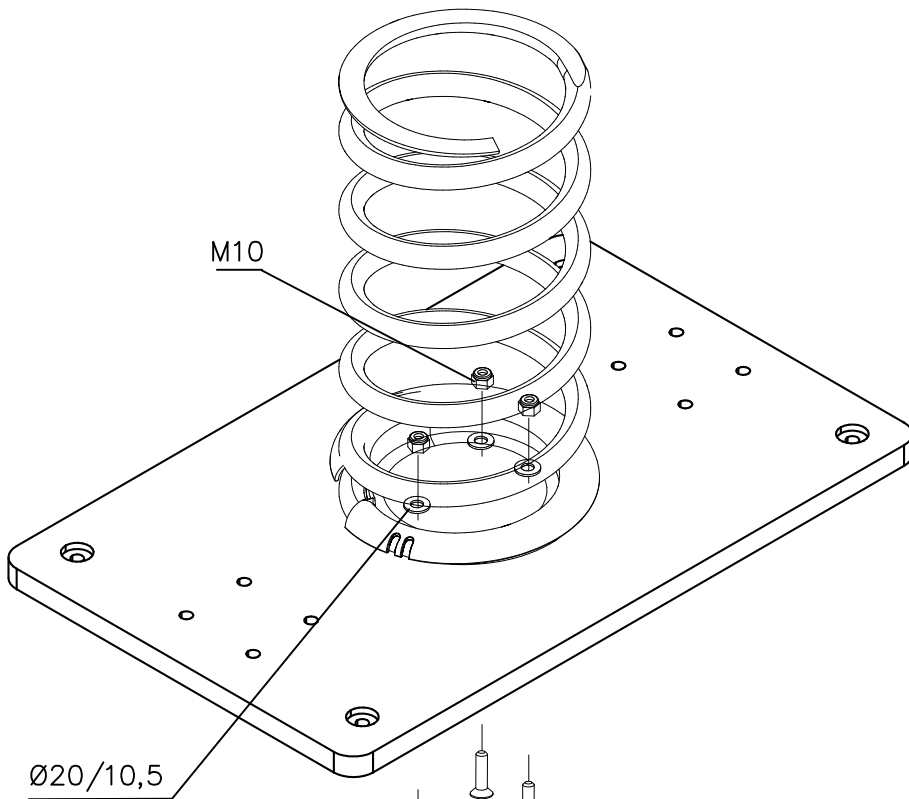
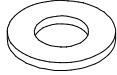
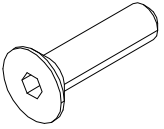



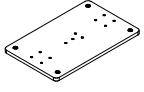
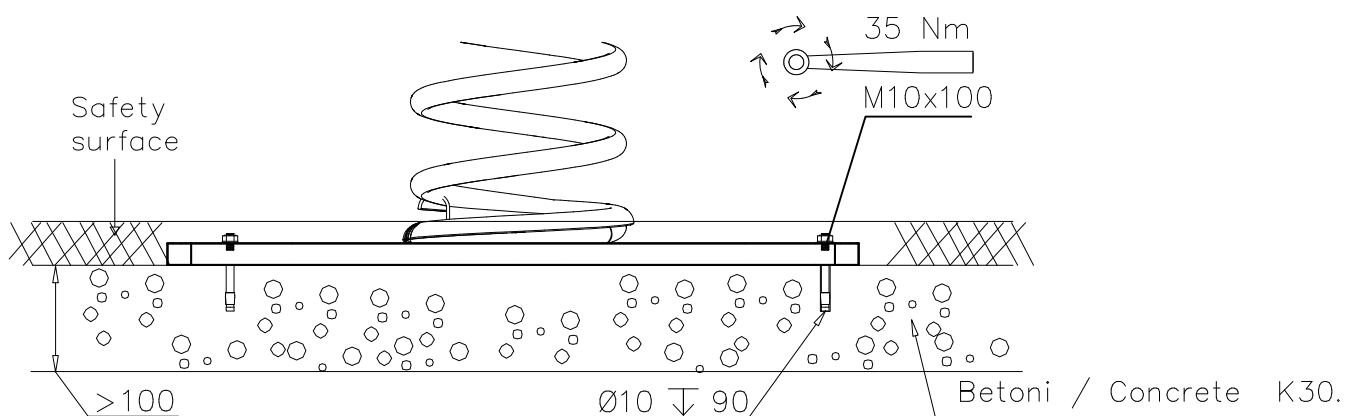
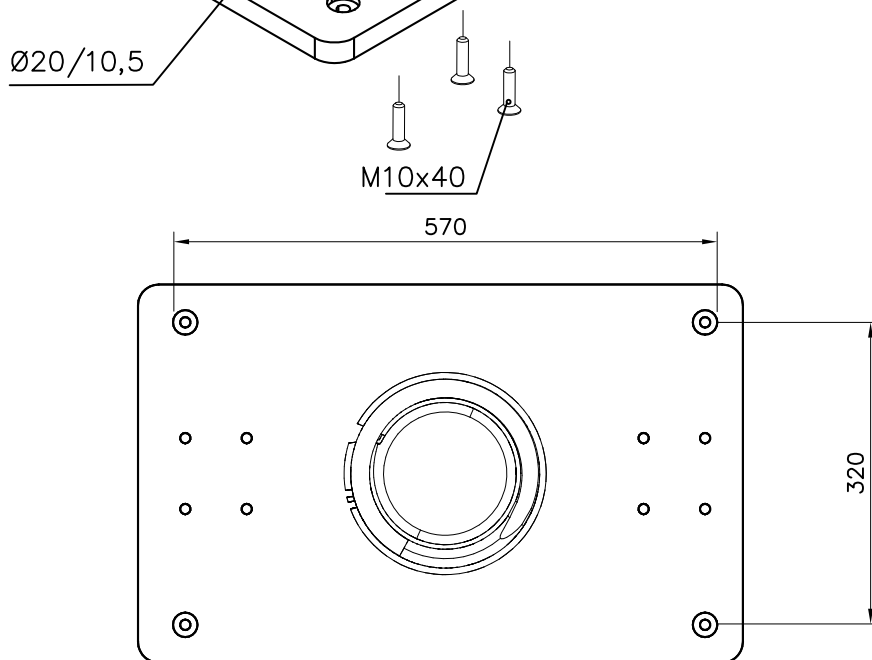


①	901302	PCS	②	901487	PCS
		4			4
	Ø20/10,5			M10x40	
③	909628	PCS	④	980161	PCS
		4			4
				M10	
	M10x100				
⑤	707750	PCS			PCS
		1			
	20x400x640				





①	901302	PCS	②	901487	PCS
		3			3
	Ø20/10,5		M10x40		
③	909628	PCS	④	980161	PCS
		4			3
			M10		
	M10x100				
⑤	707750	PCS			PCS
		1			
	20x400x640				



In case of concrete block

