

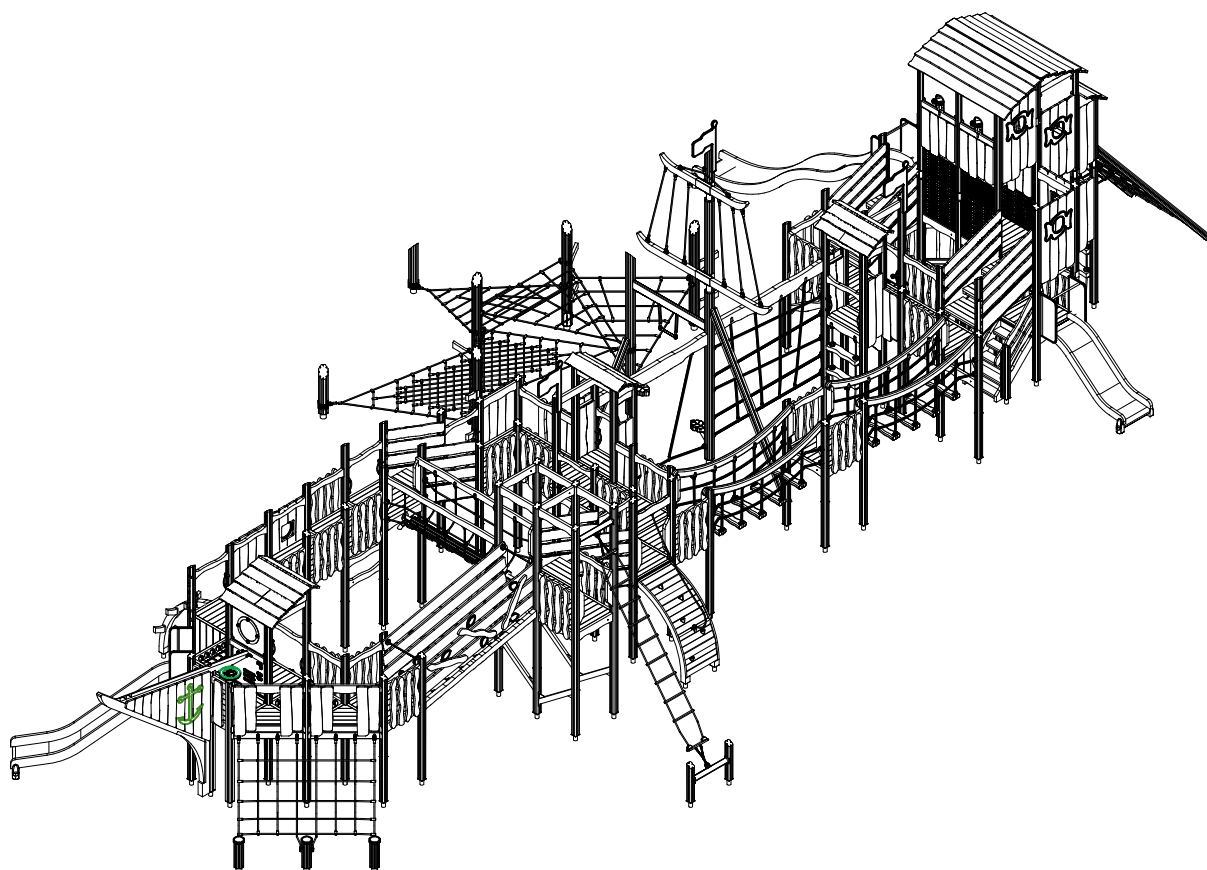
LAPPSET®

FLORA

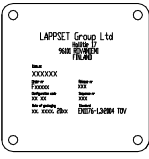
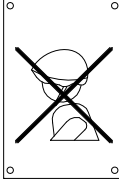
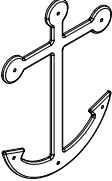
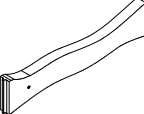
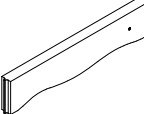
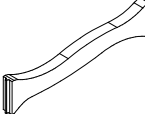



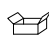
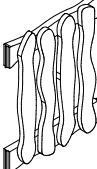



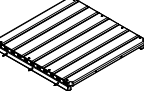

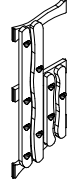

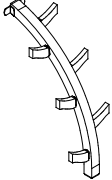
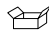




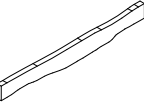
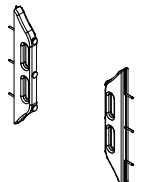

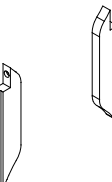



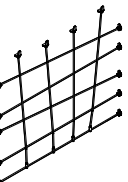


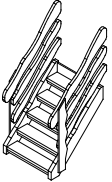


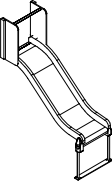
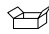
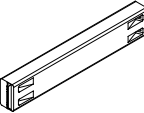
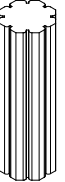
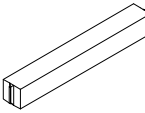

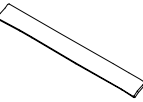
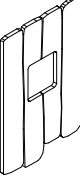
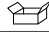

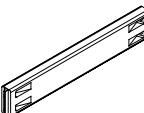






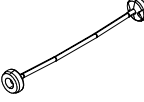

ASENNUSOHJE
MONTERINGSANSVISNING
INSTALLATION INSTRUCTION
AUFBAUANLEITUNG
NOTICE D'INSTALLATION

DATE: 11.6.2024

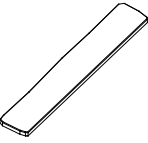
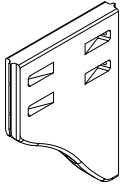

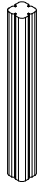



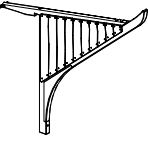
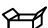
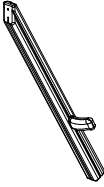

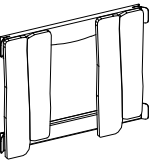


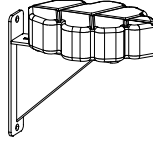

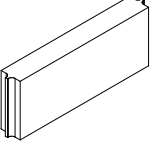



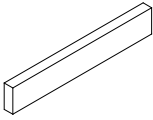
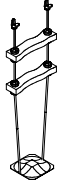

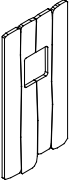

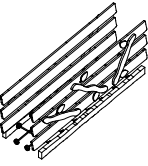
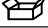
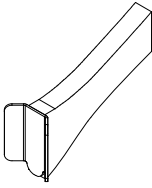

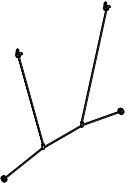

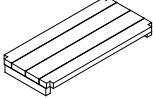

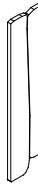
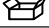
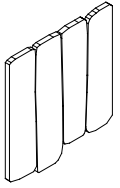

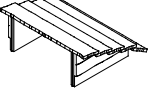

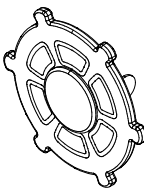

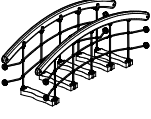

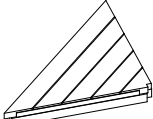



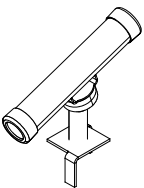



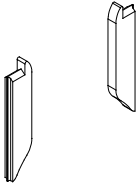



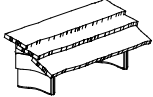

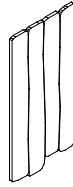

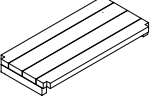

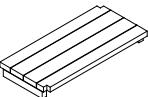
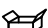
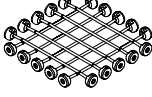
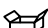
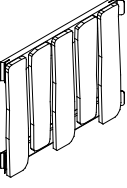

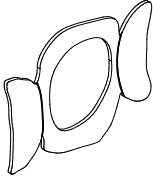
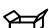
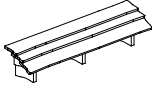
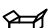
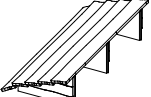

175522M



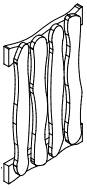

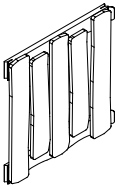

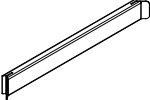

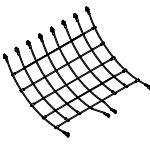

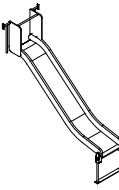

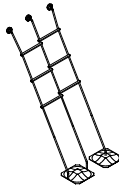

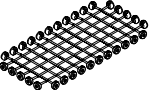



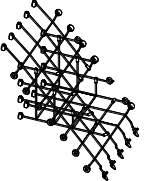

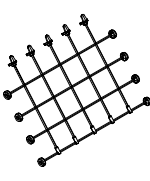

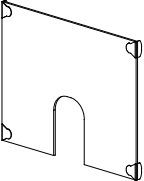

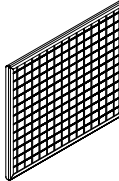



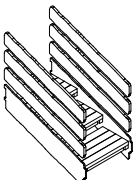

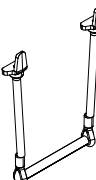

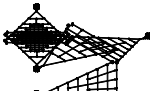

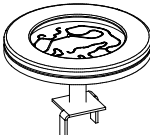

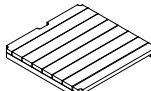

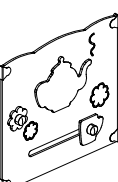

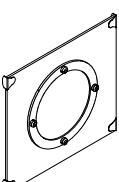

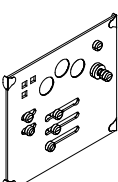

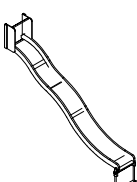

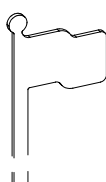

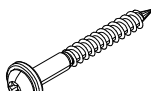
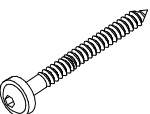
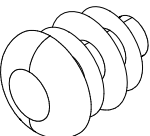
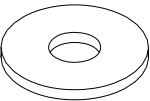
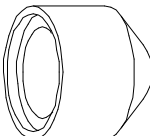
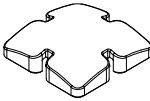
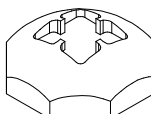


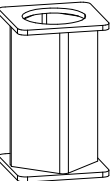
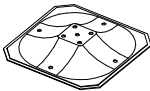
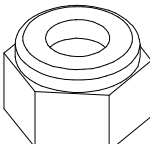
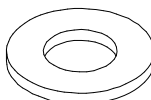
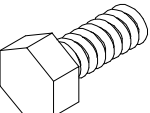
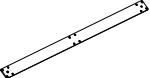
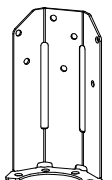
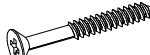
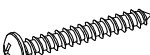
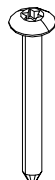
DATE: 20.6.2024

702286  65x65	PCS 1	702339  118x78	PCS 1	704868  2	PCS 2	705197  45x145x724	PCS 4	705211  45x145x724	PCS 131	705214  45x145x724	PCS 13
705217  93x93x2250	PCS 31	705220  93x93x2446	PCS 7	705227  	PCS 1	705230  	PCS 25	705236  93x93x3138	PCS 10	705238  93x93x2846	PCS 10
705258  	PCS 28	705270  	PCS 2	705368  	PCS 1	705375  	PCS 1	705394  140x140x1800	PCS 4	705429  140x140x2894	PCS 1
705431  68x260x2280	PCS 2	705506  	PCS 3	705507  	PCS 2	705511  	PCS 25	705927  	PCS 1	706180  93x93x2538	PCS 2
706185  	PCS 1	706192  93x93x946	PCS 2	706234  	PCS 1	706512  70x120x724	PCS 2	707594  140x140x450	PCS 3	707912  93x93x724	PCS 3
708370  28x200x1100	PCS 3	708372  28x200x2000	PCS 1	708437  	PCS 1	708575  140x140x800	PCS 2	708746  45x120x724	PCS 4	708761  	PCS 1
708767  45x145x1525	PCS 2	708817  93x93x2450	PCS 9	708876  93x93x3660	PCS 2	708989  93x93x3800	PCS 3	709649  Ø16x705	PCS 2	709888  93x93x3750	PCS 6

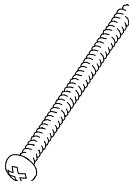
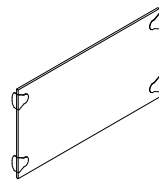

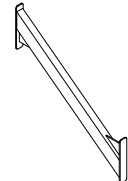
DATE: 20.6.2024

709892  28x700x795	PCS 2	709904  45x324x450	PCS 4	710105  93x93x2150	PCS 2	710180  93x93x800	PCS 3	710190  93x93x2960	PCS 4	710201  	PCS 1
710207  	PCS 1	710347  	PCS 1	710349  	PCS 2	710425  93x93x3140	PCS 1	710427  	PCS 1	711368  45x120x324	PCS 28
711369  93x93x1846	PCS 6	711371  93x93x1200	PCS 3	711373  93x93x660	PCS 2	711375  45x120x741	PCS 8	711502  	PCS 3	711506  	PCS 6
711512  	PCS 1	711514  	PCS 7	711515  	PCS 1	711516  	PCS 6	711517  	PCS 8	711519  	PCS 8
711522  	PCS 1	711524  	PCS 1	711526  	PCS 2	711533  	PCS 7	711534  	PCS 1	711535  	PCS 2
711536  	PCS 4	711537  	PCS 4	711538  	PCS 4	711539  	PCS 2	711541  	PCS 2	711542  	PCS 4
711543  	PCS 4	711544  	PCS 2	711546  	PCS 3	711547  	PCS 7	711549  	PCS 1	711551  	PCS 2

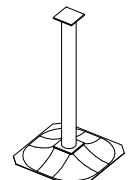


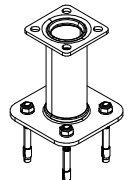

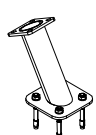

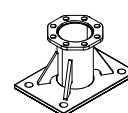

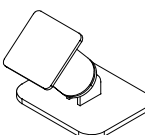

DATE: 20.6.2024

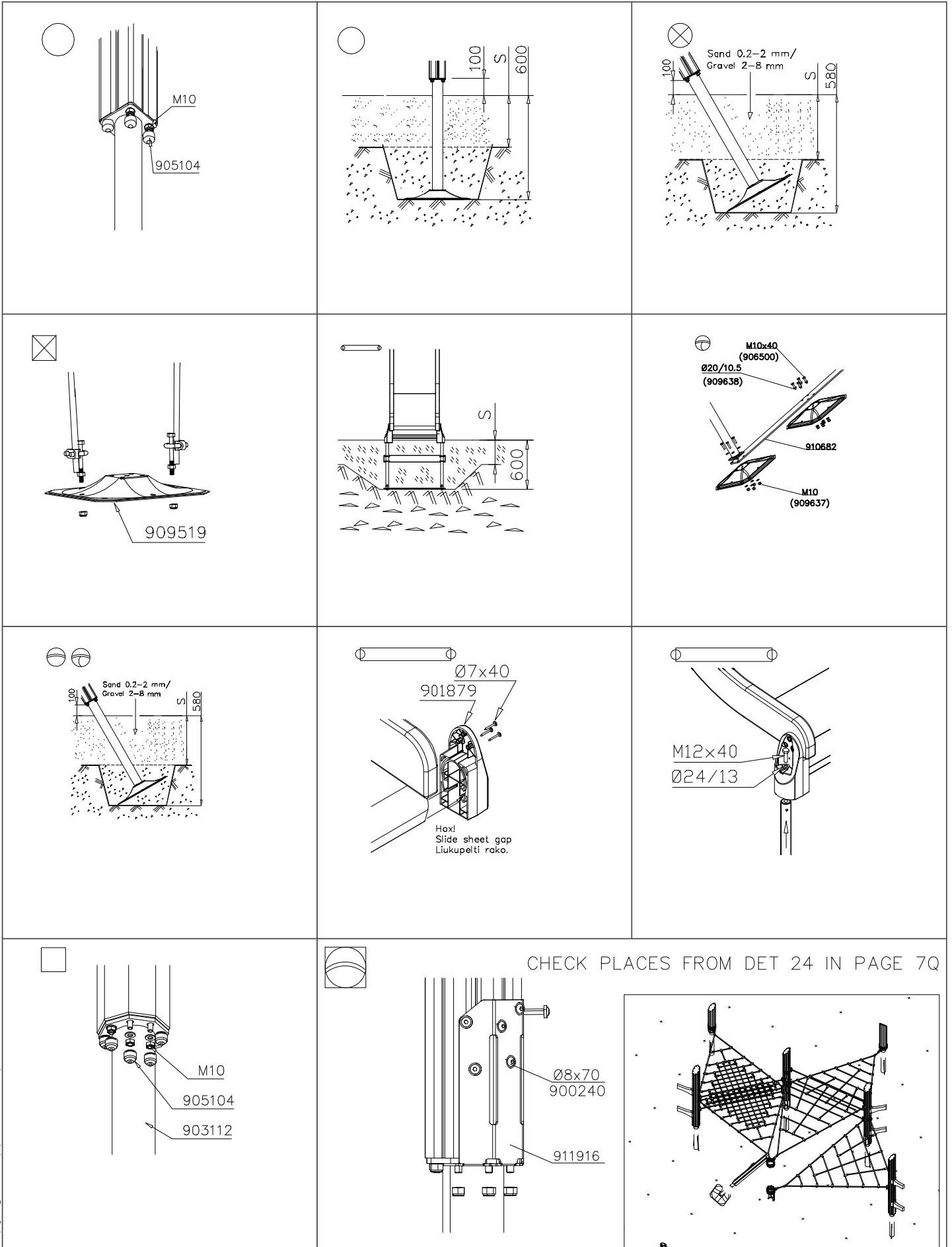
711552  	PCS 1	711553  	PCS 1	711555  	PCS 2	711557  	PCS 1	711558  	PCS 1	711559  	PCS 3
711562  	PCS 1	711563  	PCS 1	711565  	PCS 1	711566  	PCS 1	711567  	PCS 2	711568  	PCS 4
711569  	PCS 2	711570  	PCS 4	711577  	PCS 1	711579  	PCS 1	711580  	PCS 1	711581  	PCS 1
711583  	PCS 1	711584  	PCS 1	711585  	PCS 1	711586  	PCS 1	711933  	PCS 3	900240  Ø8x70	PCS 81
903093  Ø8x90	PCS 774	903533  Ø9	PCS 12	905051  Ø24/8.4	PCS 4	905104  M10	PCS 540	905139  BLACK	PCS 3	905197  BLACK	PCS 3
909231  8x30	PCS 2	909233  8x100	PCS 2	909491  L 150	PCS 12	909519  380x380x50	PCS 1	909637  M10	PCS 4	909638  Ø20/10.5	PCS 8
909639  M10x25	PCS 4	910682  8x90x1690	PCS 1	911916  L 150	PCS 7	980100  Ø5x60	PCS 32	980114  Ø4x20	PCS 8	980128  Ø7x40	PCS 12

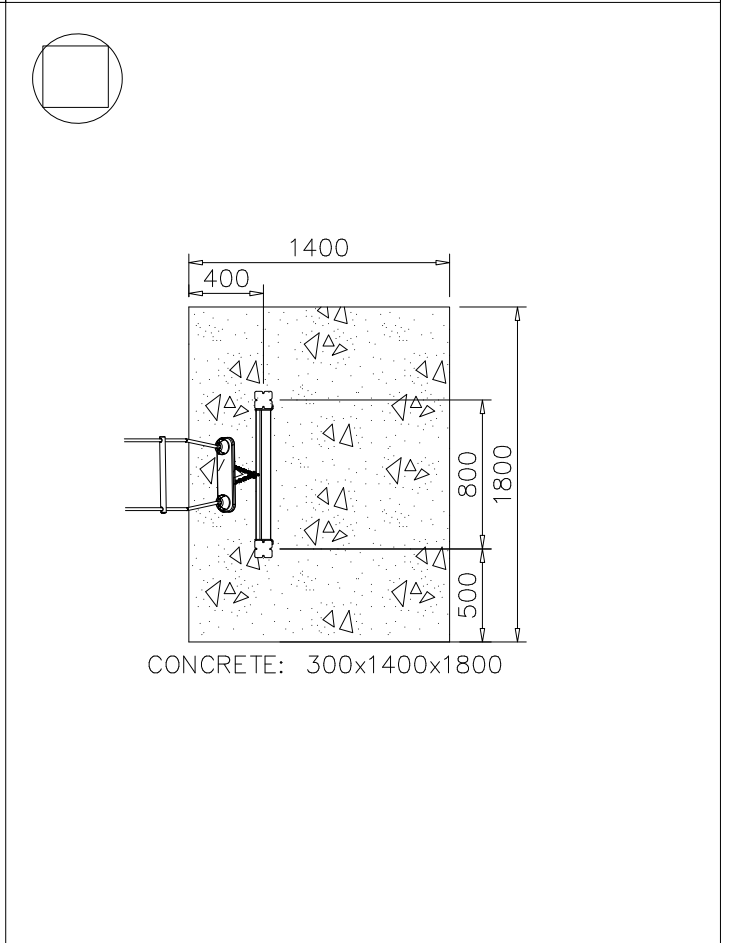
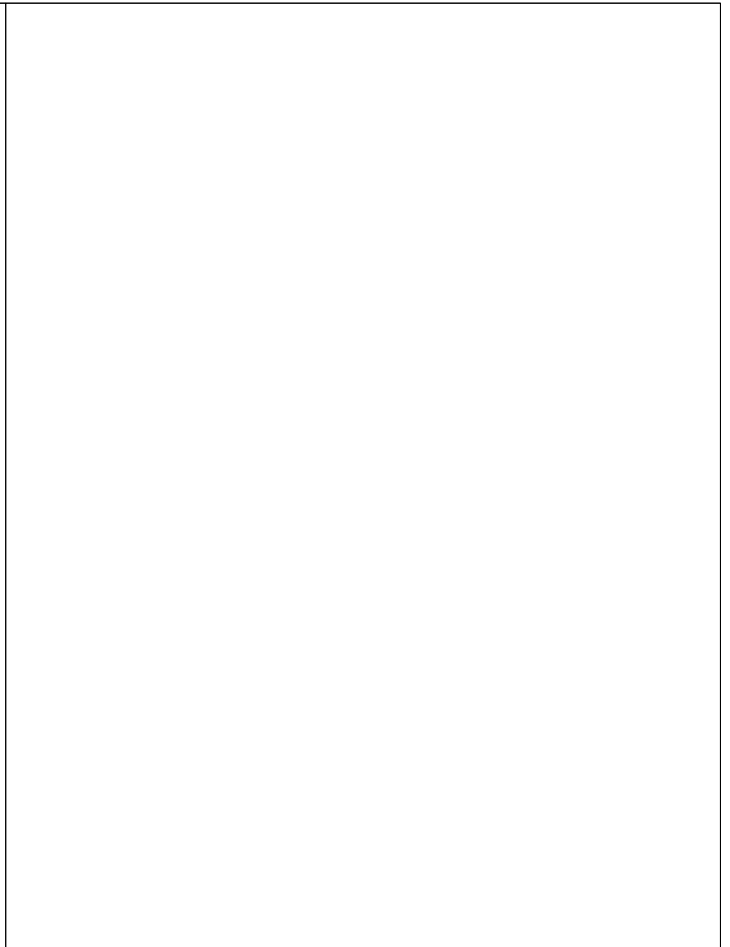
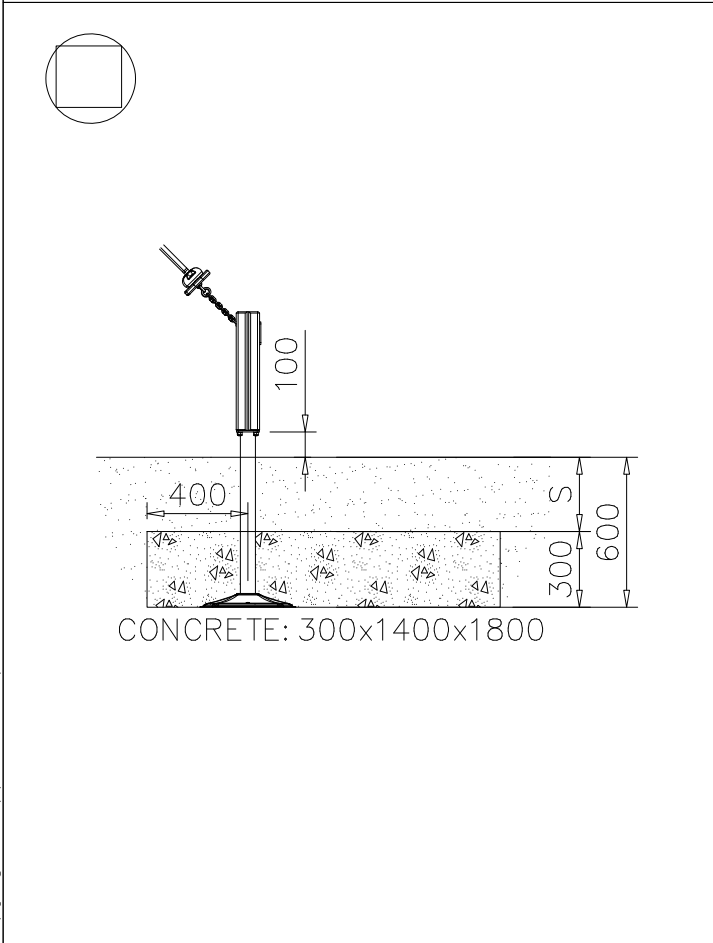
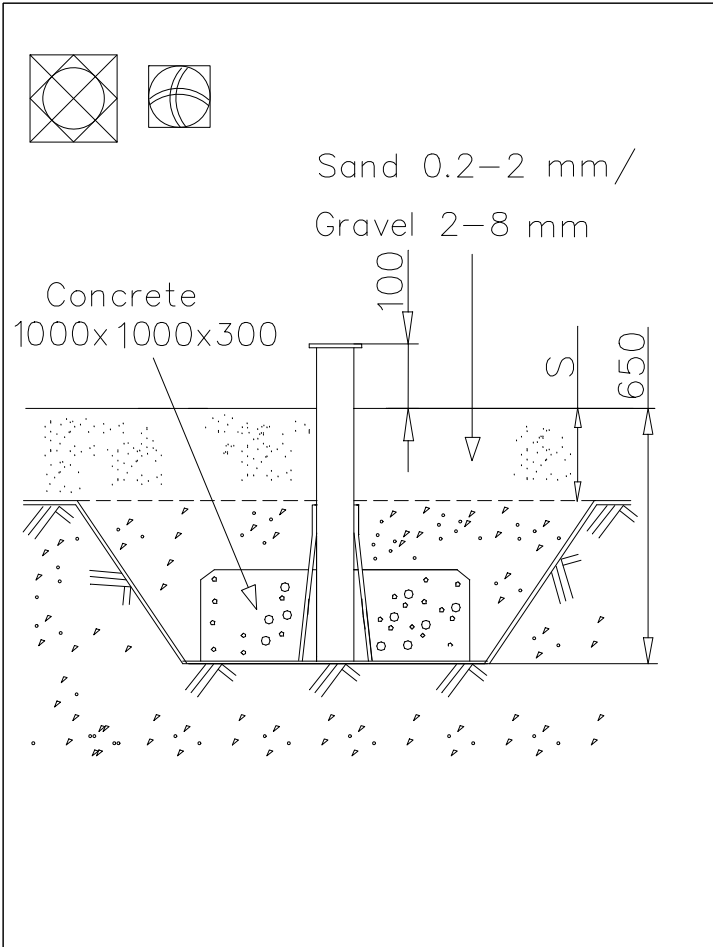
DATE: 20.6.2024

980131  6x60	PCS 12	A00553  	PCS 4	P14006 	PCS 4		PCS		PCS		PCS
	PCS		PCS		PCS		PCS		PCS		PCS
	PCS		PCS		PCS		PCS		PCS		PCS

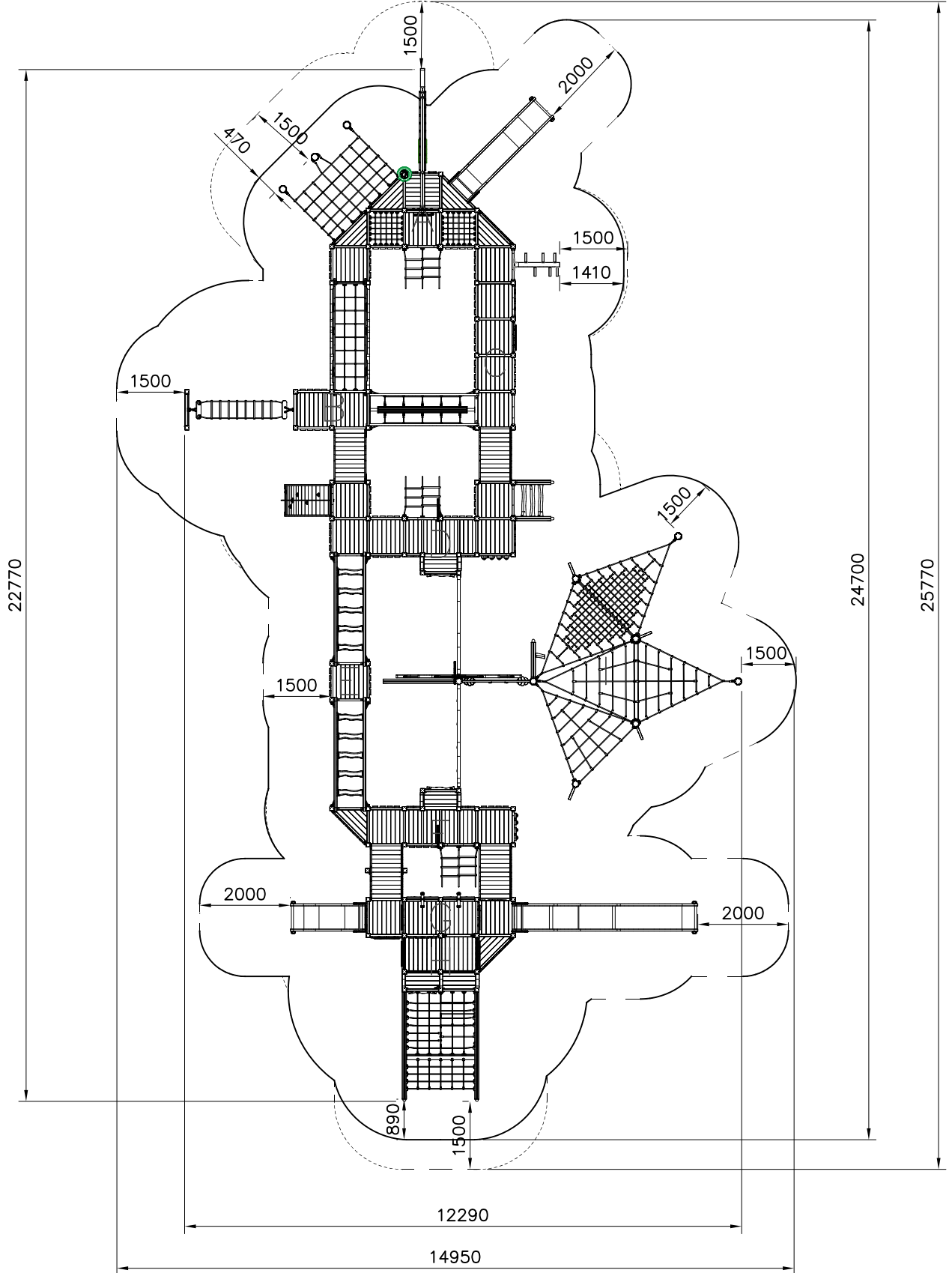
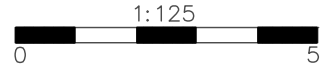
FOOT OPTIONS

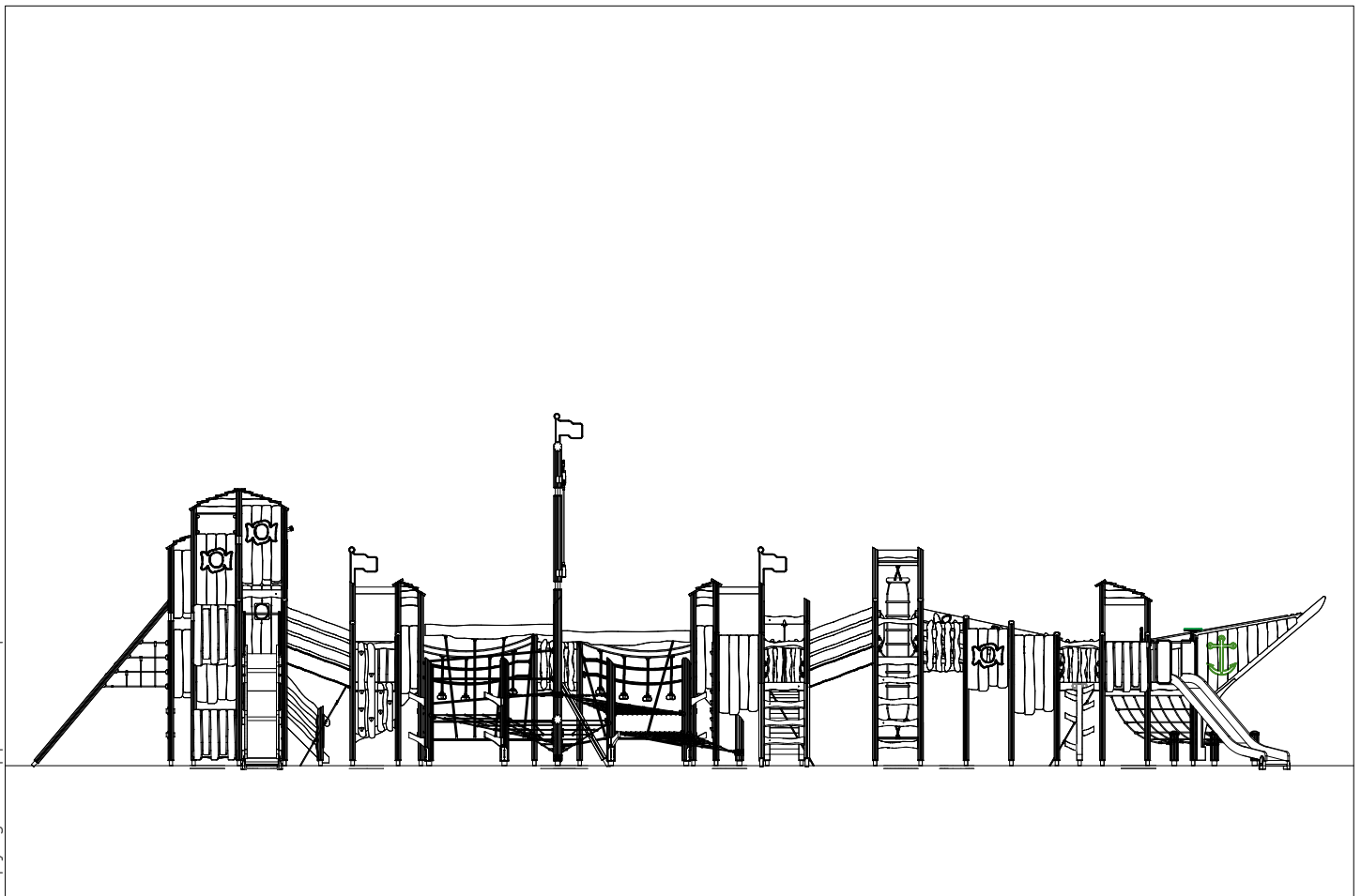
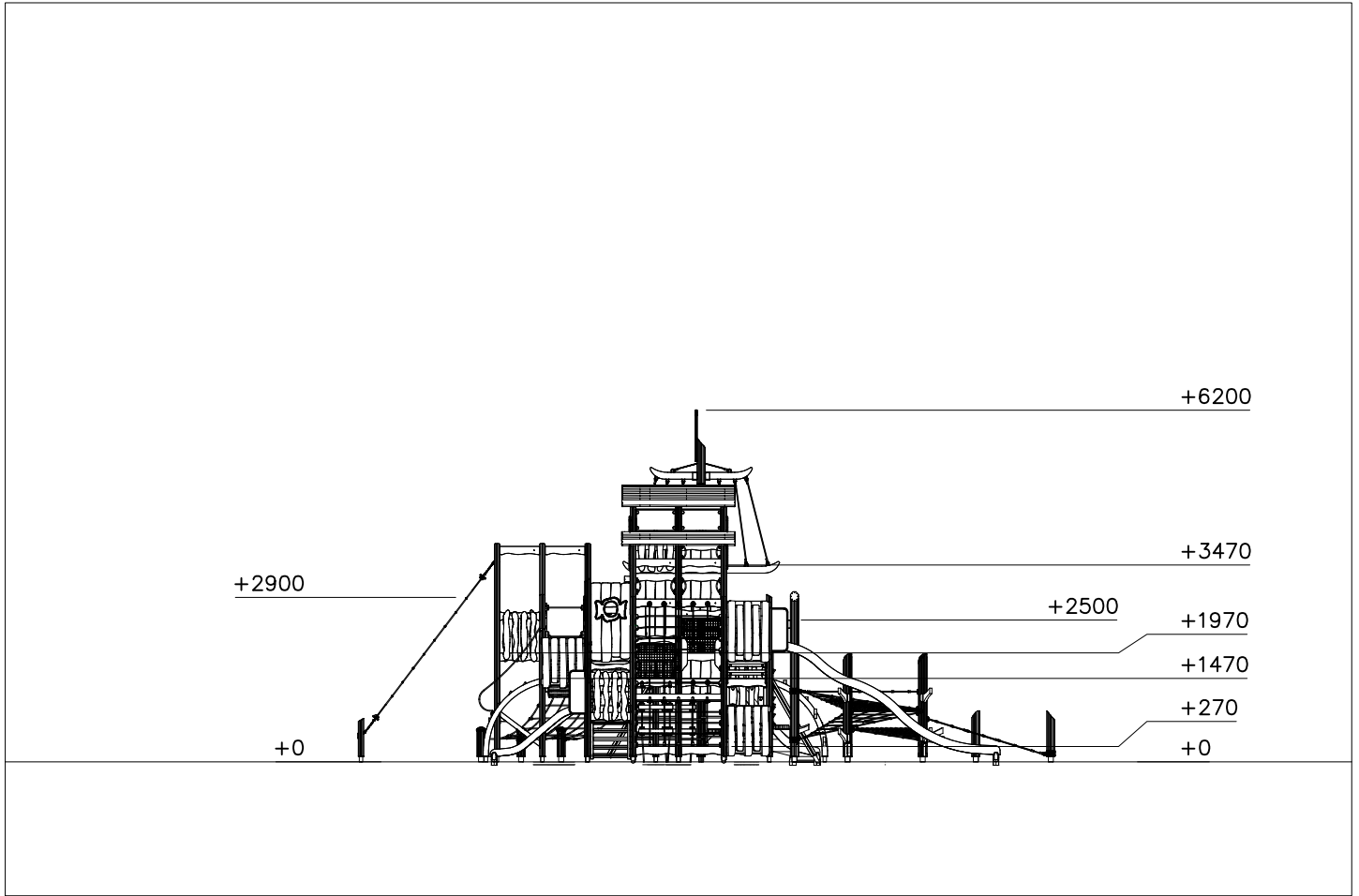
DEEP				SURFACE							
909521  	PCS 96	903112  L=750	PCS 10	701898  	91	701899  	PCS 3	711554  	PCS 10	711656  	PCS 2
	PCS		PCS		PCS		PCS		PCS		PCS
	PCS		PCS		PCS		PCS		PCS		PCS

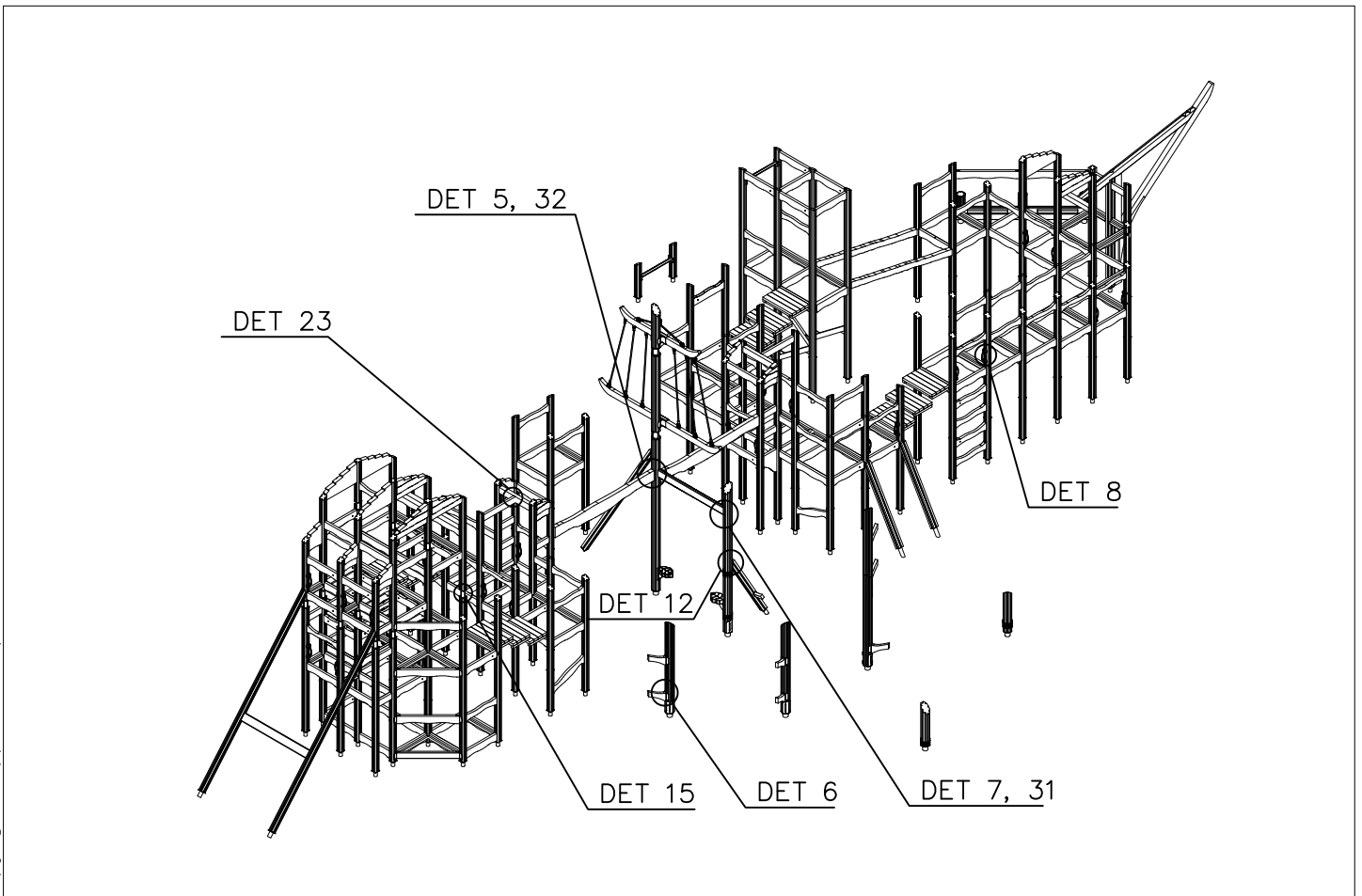
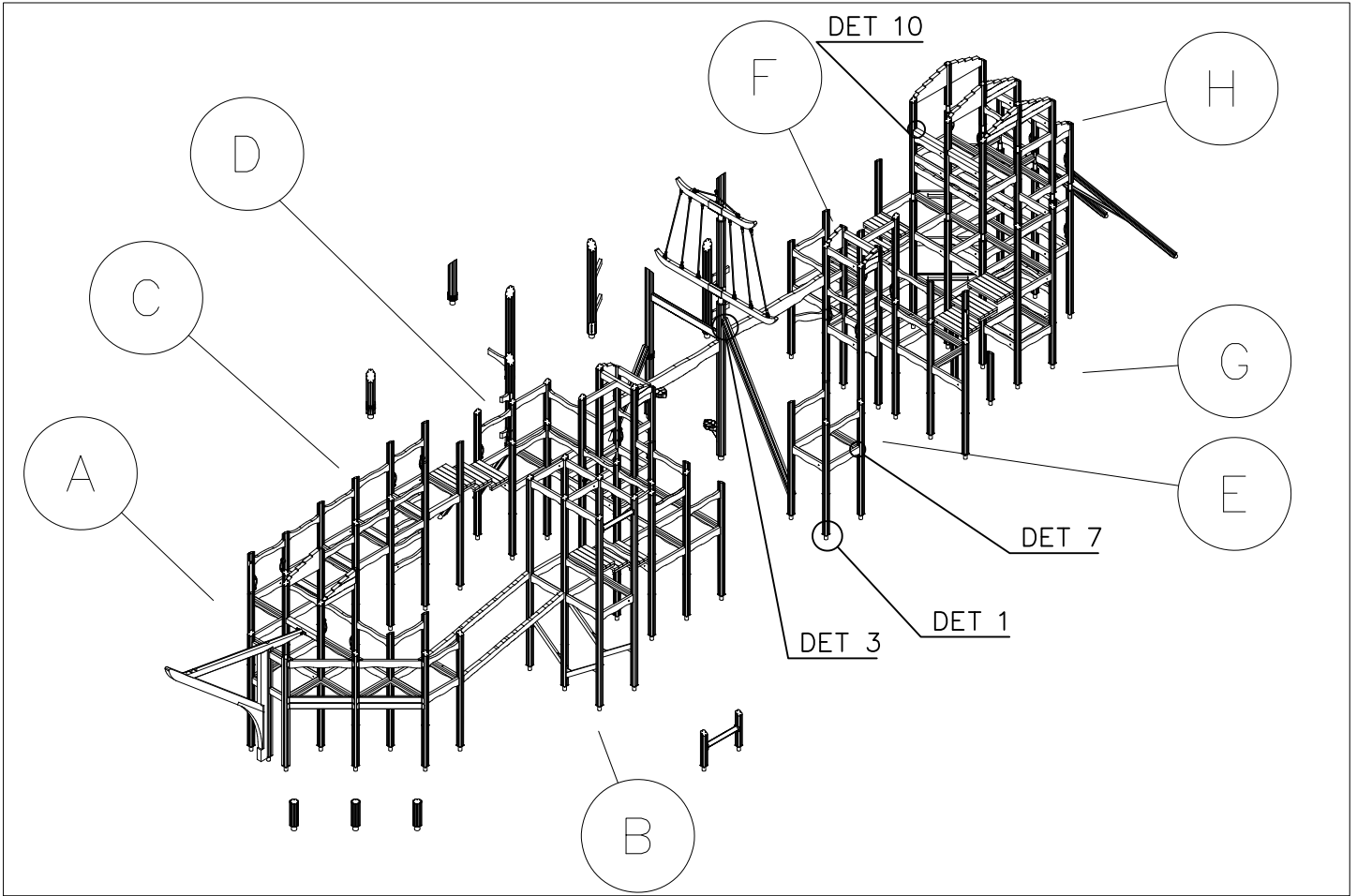




- EN/AS Impact Area 221.2 m²
- - - Falling Space 234.8 m²
- Max Falling Height 2900 mm

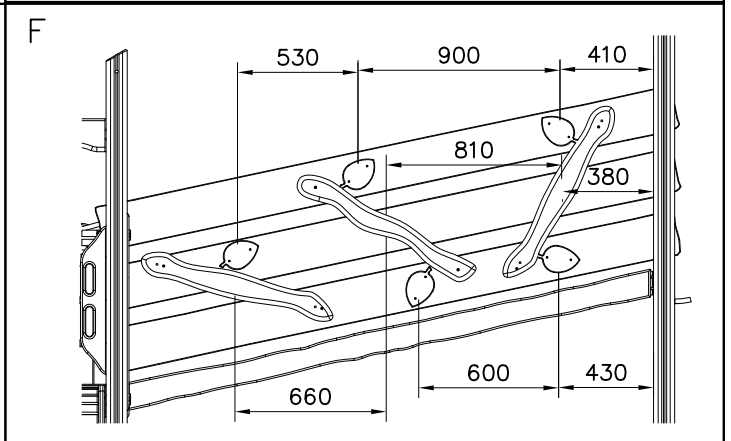
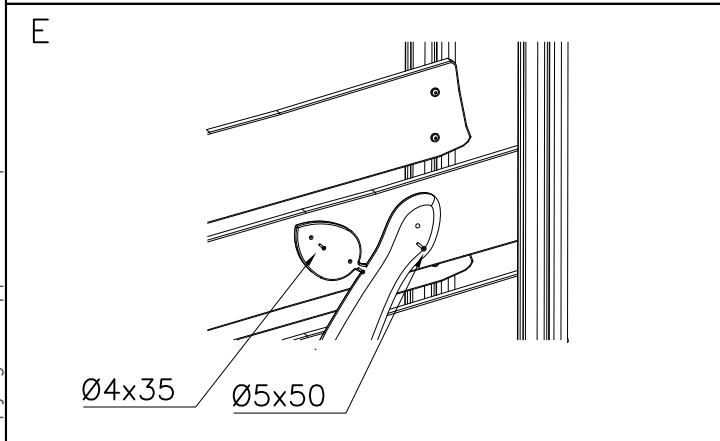
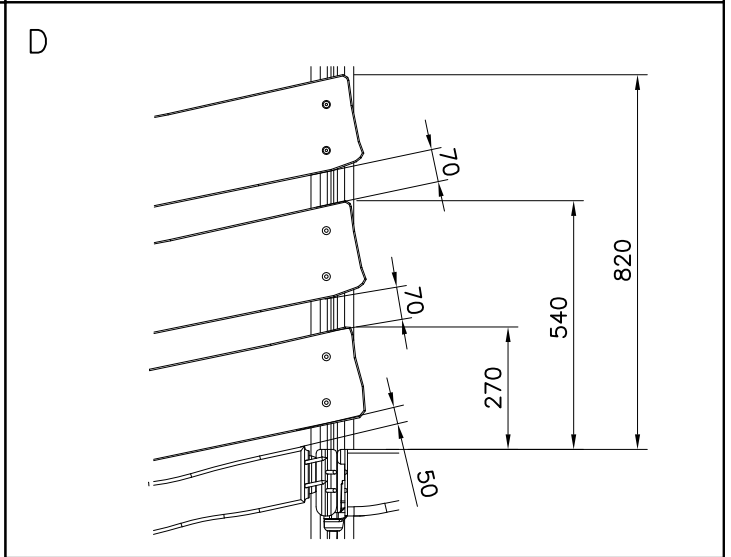
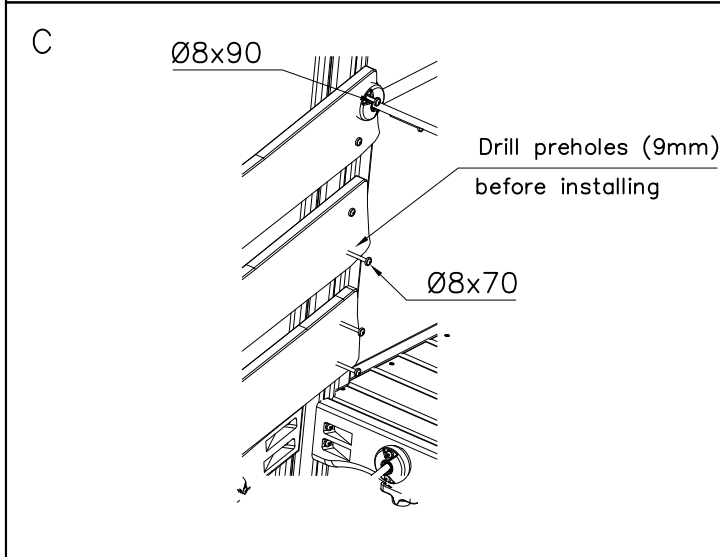
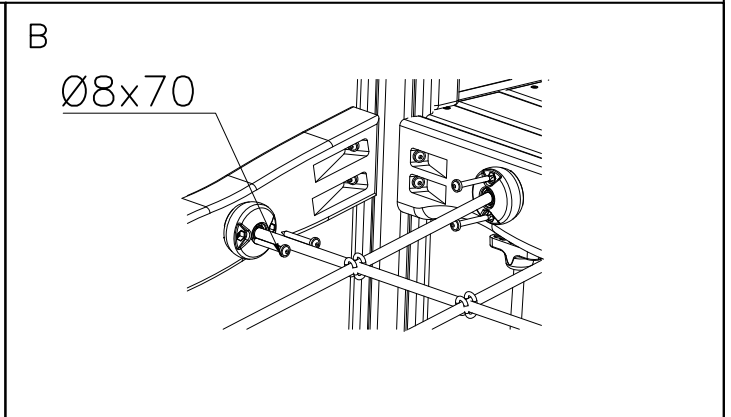
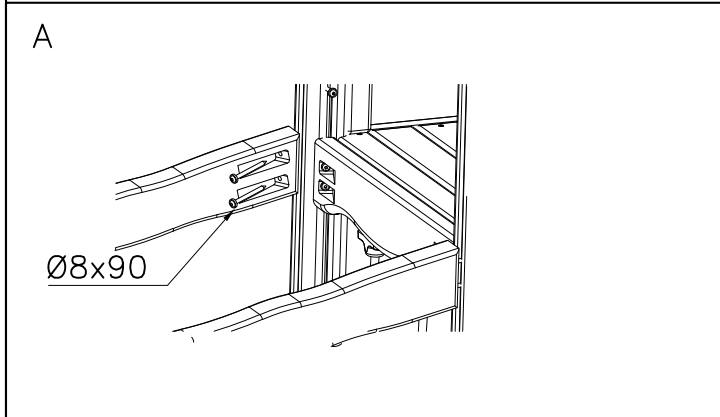
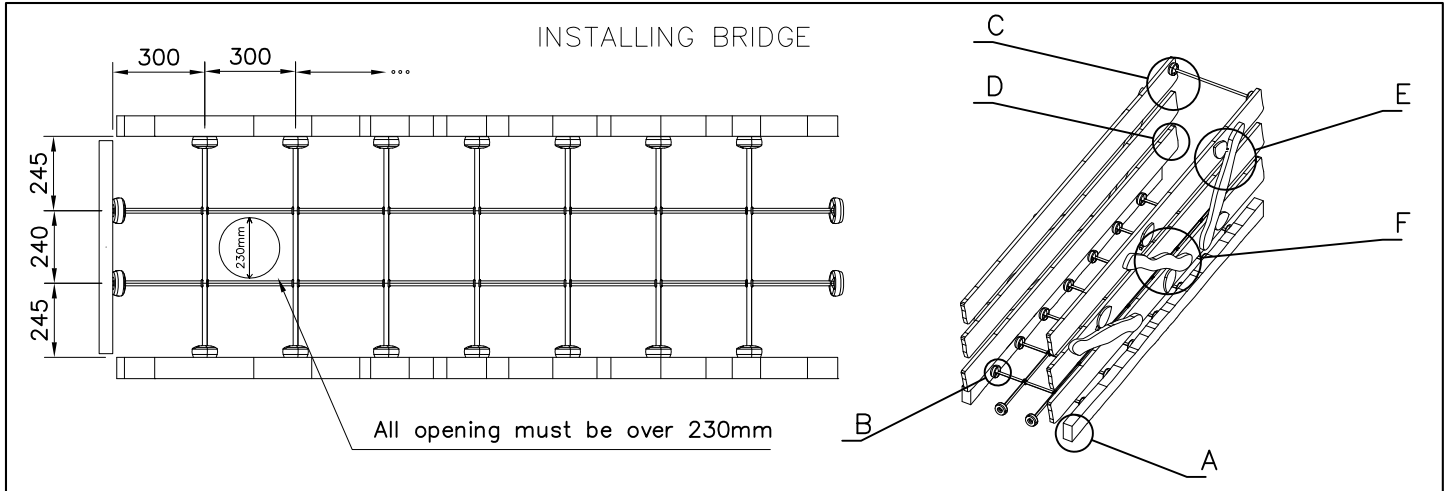




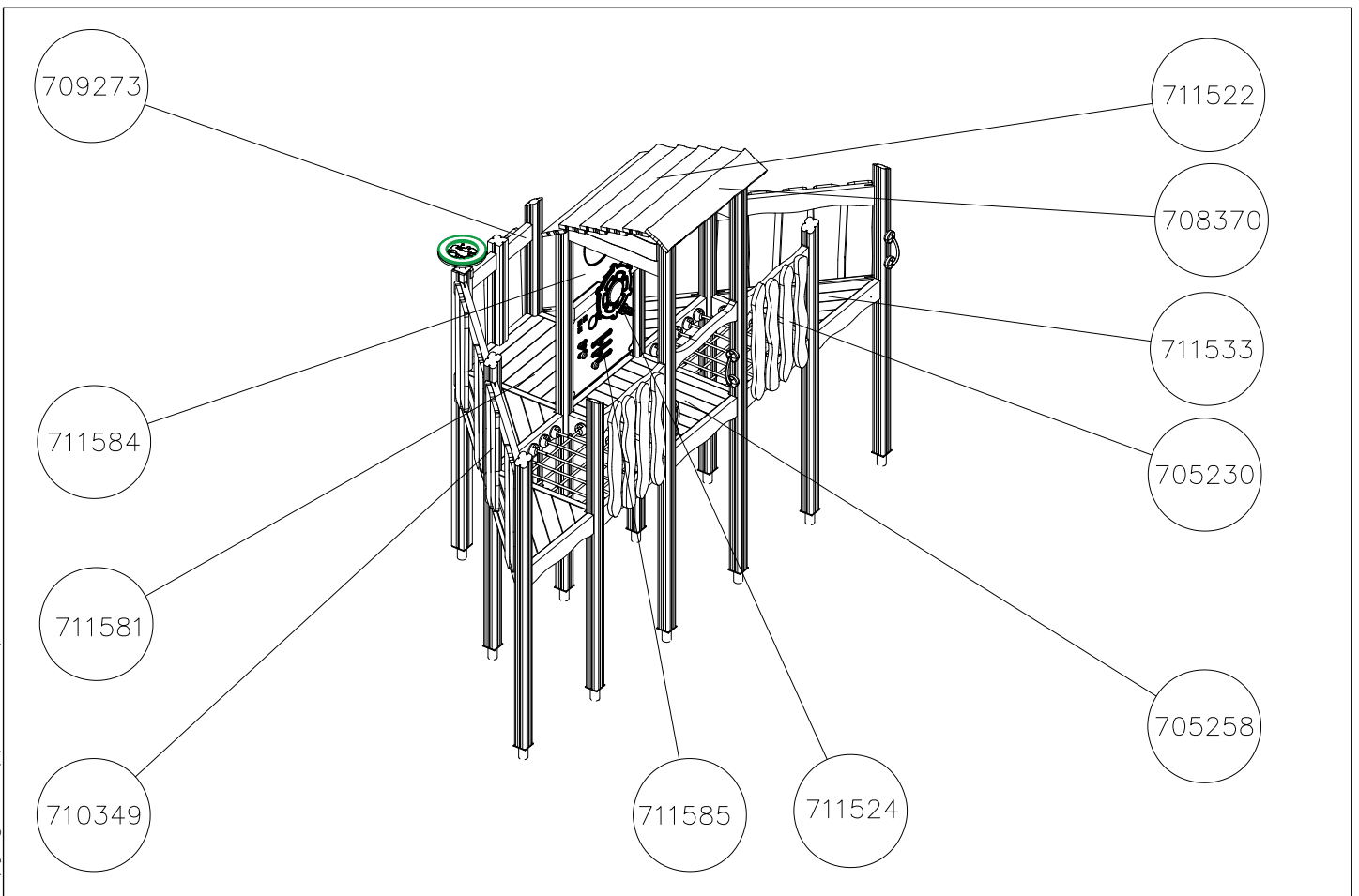
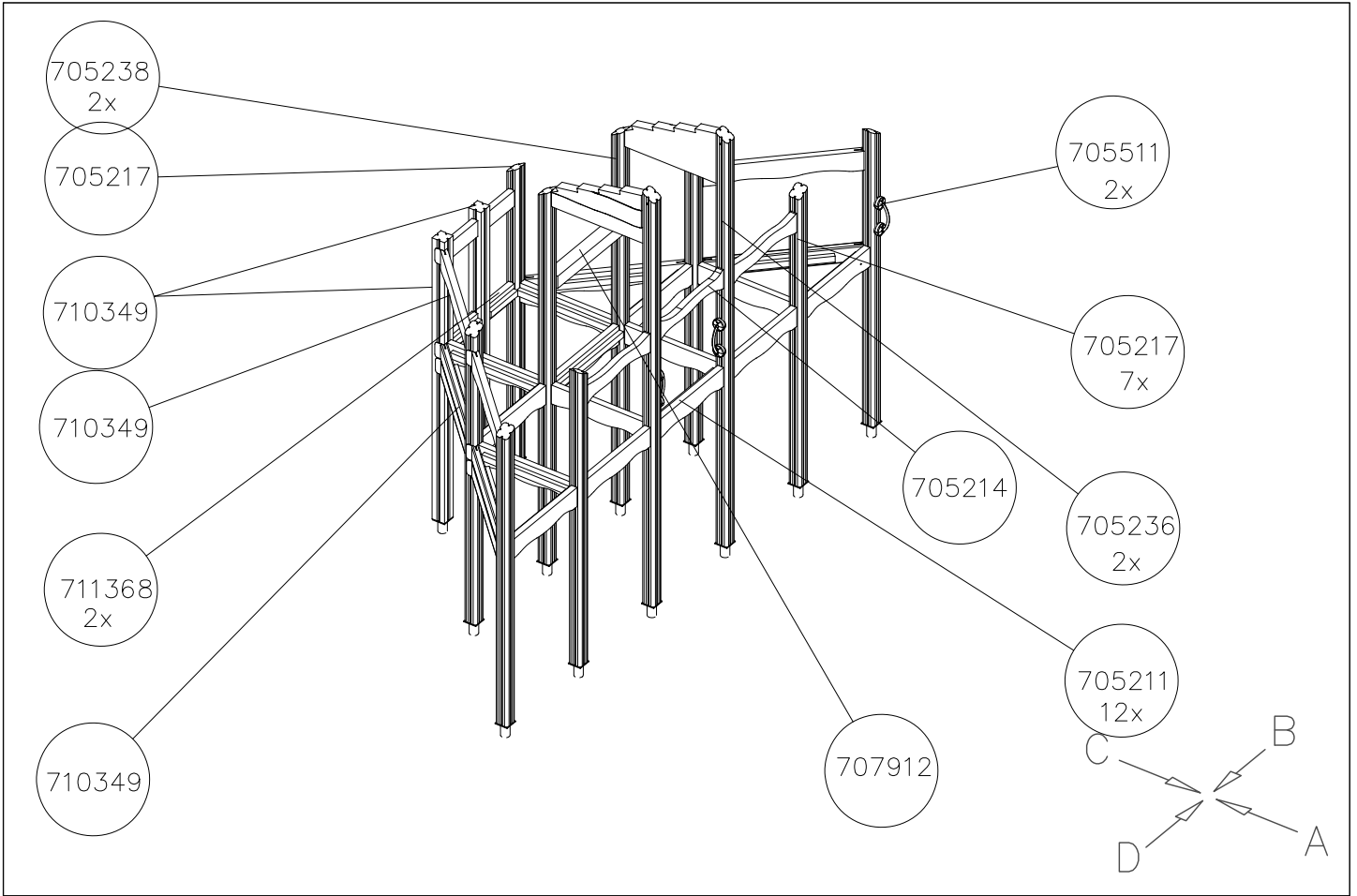


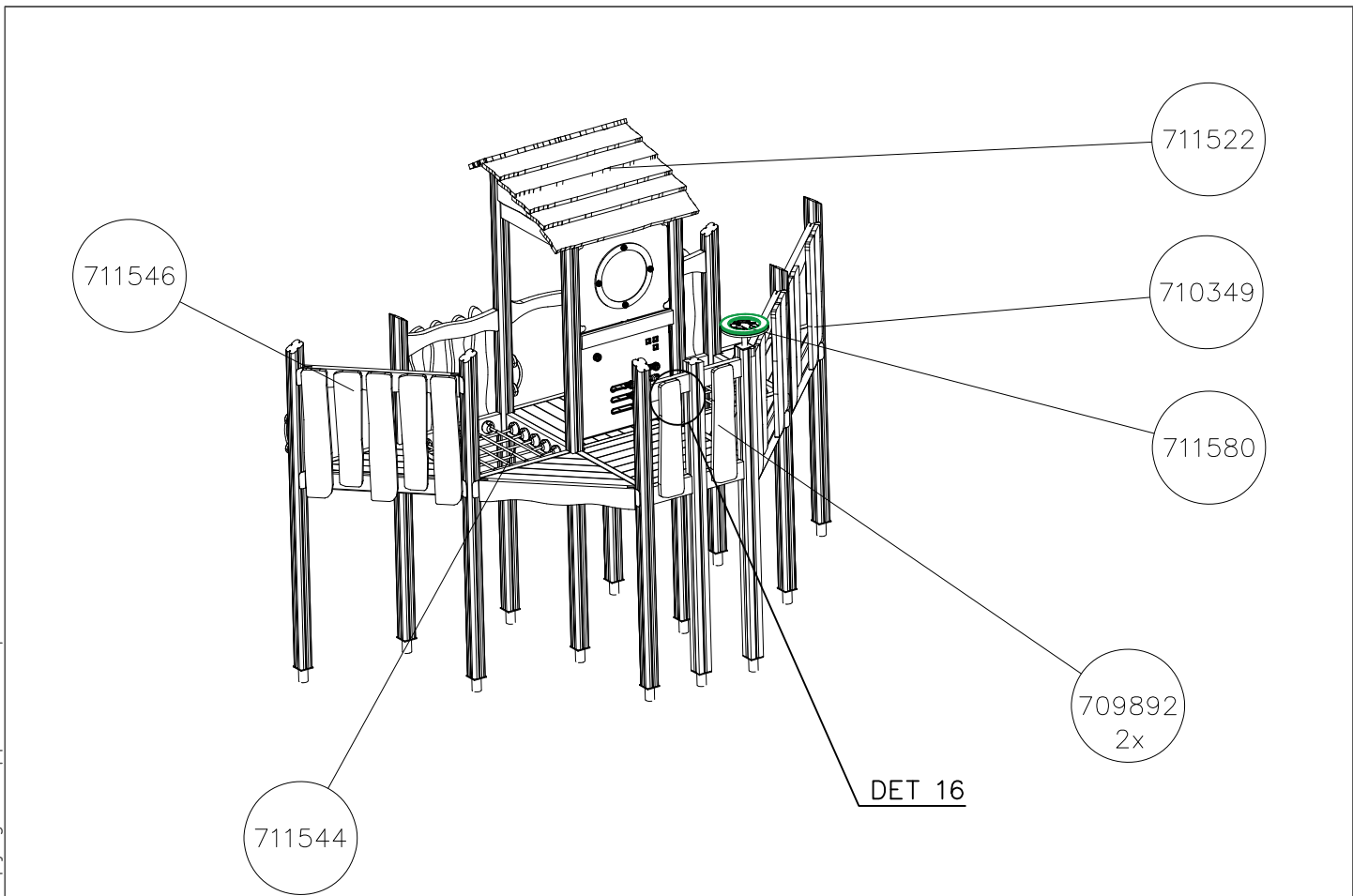
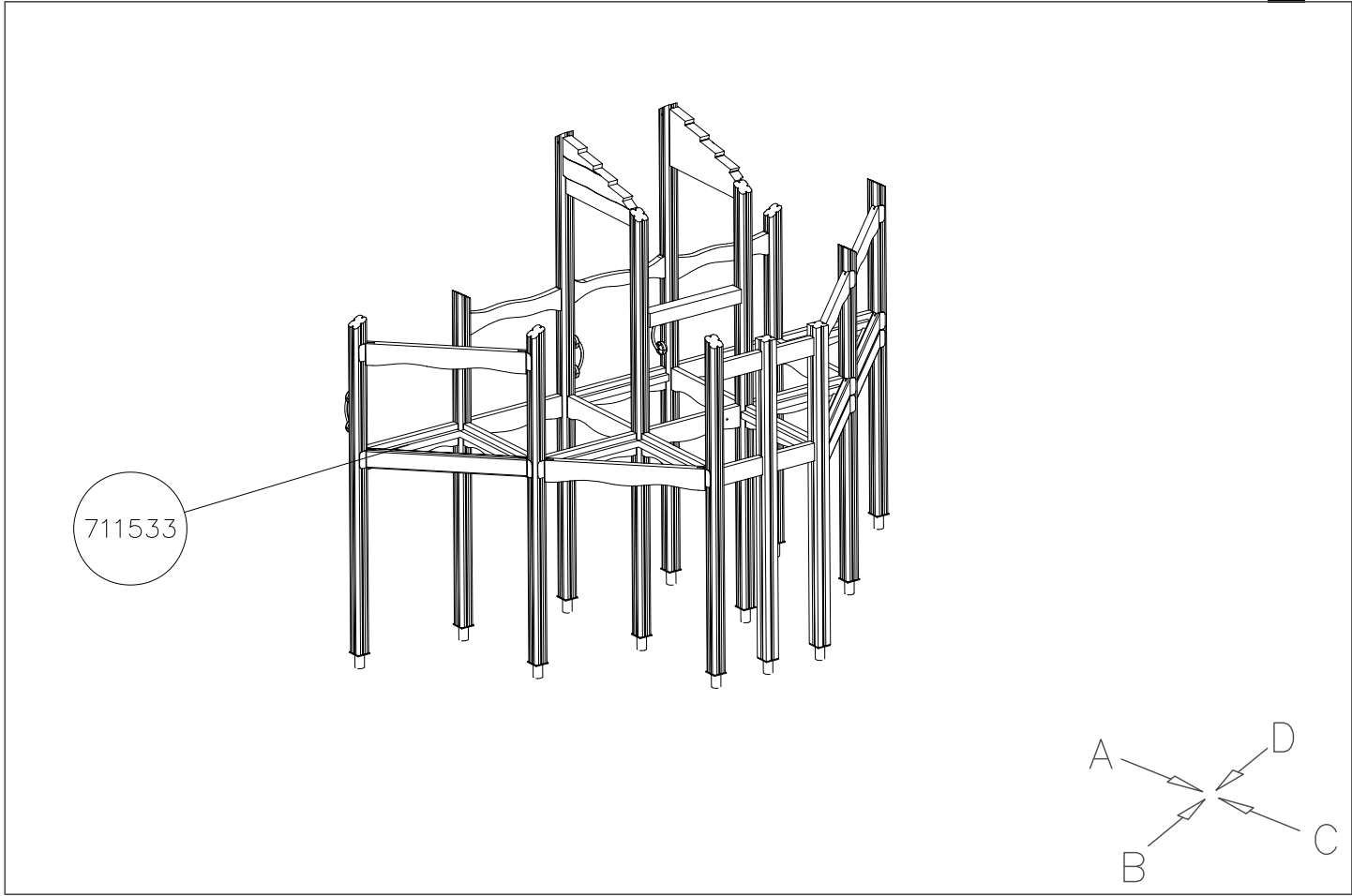
<p>DET 1</p>	<p>DET 2</p>	<p>DET 3</p>	<p>DET 4</p>
<p>DET 5</p>	<p>DET 6</p>	<p>DET 7</p>	<p>DET 8</p>
<p>DET 9</p>	<p>DET 10</p>	<p>DET 11</p>	<p>DET 12</p>
<p>DET 13</p>	<p>DET 14</p>	<p>DET 15</p>	<p>DET 16</p>
<p>DET 17</p>	<p>DET 18</p>	<p>DET 19</p>	<p>DET 20</p>

<p>DET 21</p> <p>Ø5x60</p>	<p>DET 22</p> <p>Ø4x35</p>	<p>DET 23</p> <p>Ø8x90</p>	<p>DET 24</p> <p>Ø8x90 903093 45° Pre Drill (X)</p>
<p>DET 25</p> <p>Ø8x90</p> <p>Drill preholes (9mm) before installing</p>	<p>DET 26</p> <p>Ø7x40 (980128) Ø7x60 (980123)</p>	<p>DET 27</p> <p>980101</p>	<p>DET 28</p> <p>Same level</p> <p>Top of beam</p>
<p>DET 29</p> <p>909561 910566 Ø7x60 980123</p>	<p>DET 30</p> <p>M8x45 901899 Ø16/8.4 980151 M8 909633</p>		
<p>DET 31</p> <p>+2400 +480 +0 100</p>	<p>DET 32</p> <p>+2250 +2400 +0 100</p>		

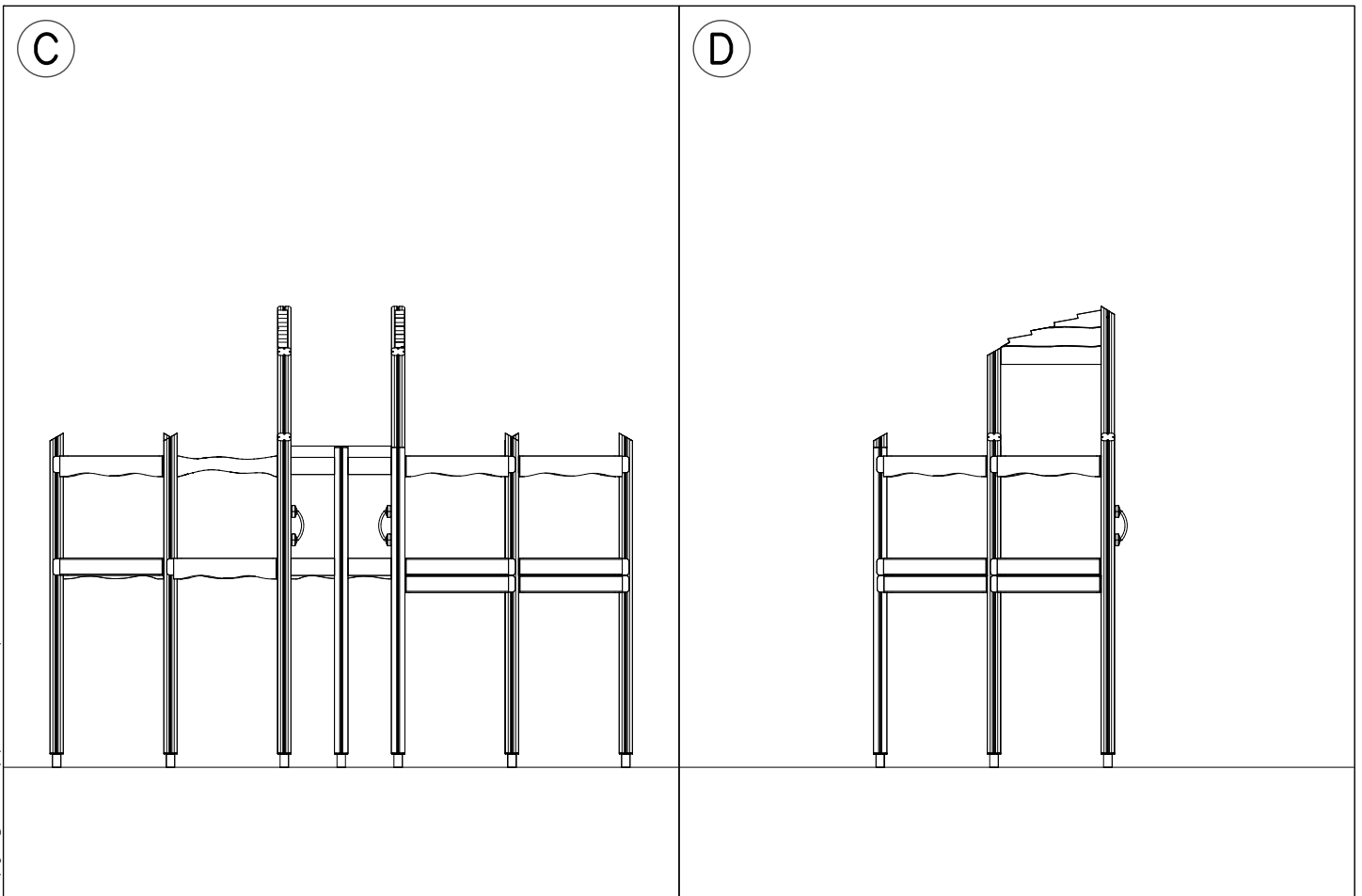
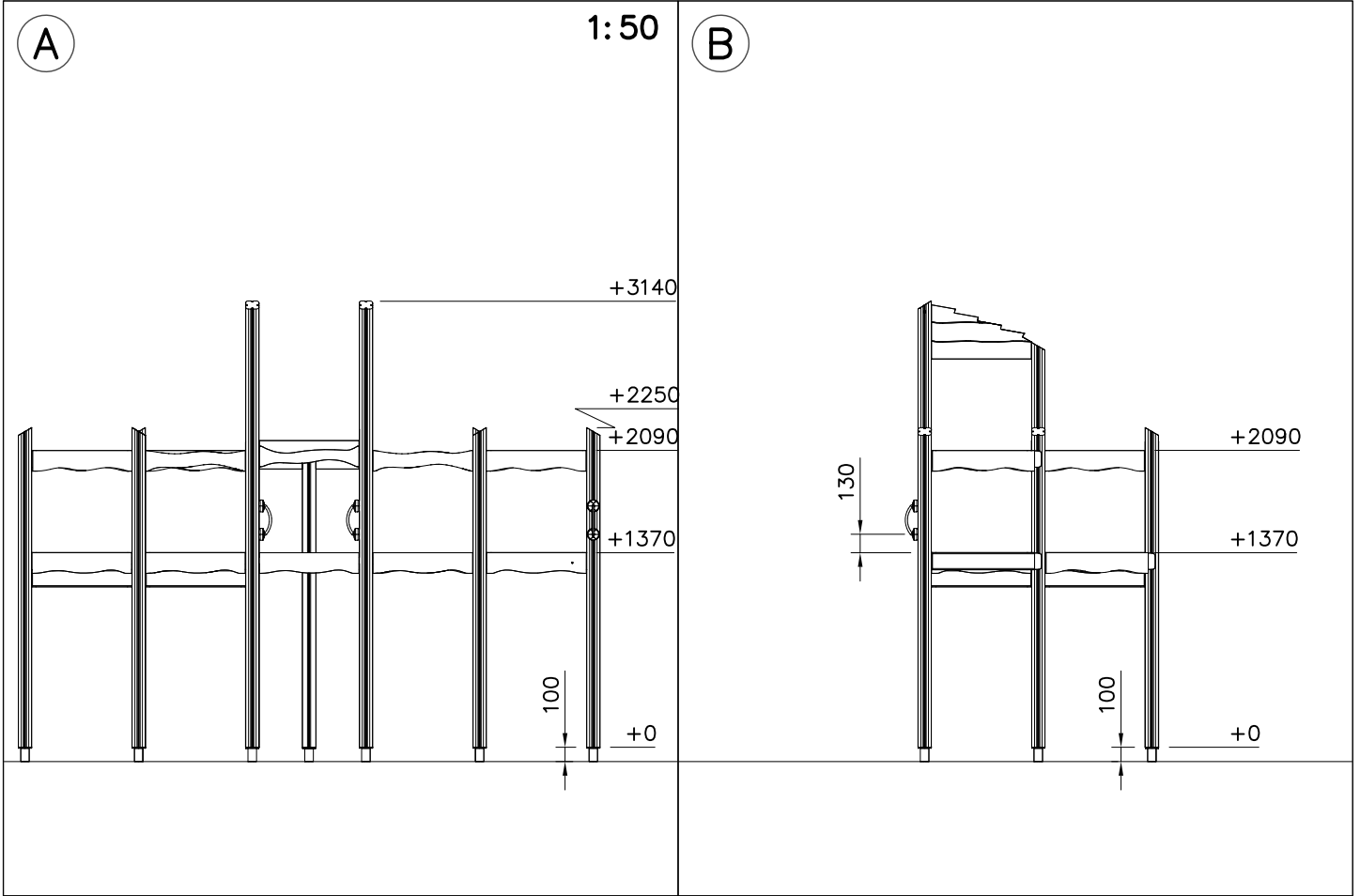


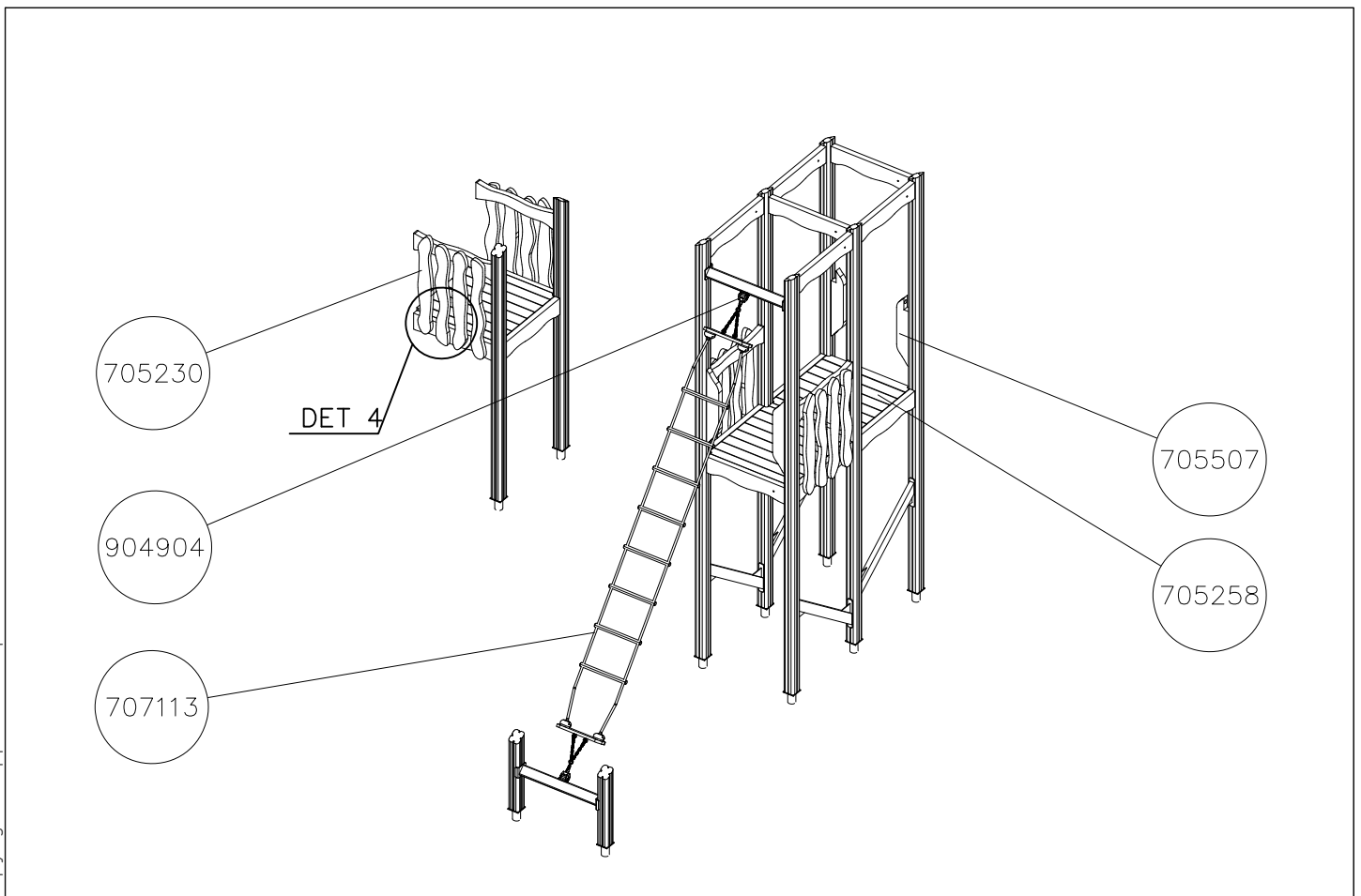
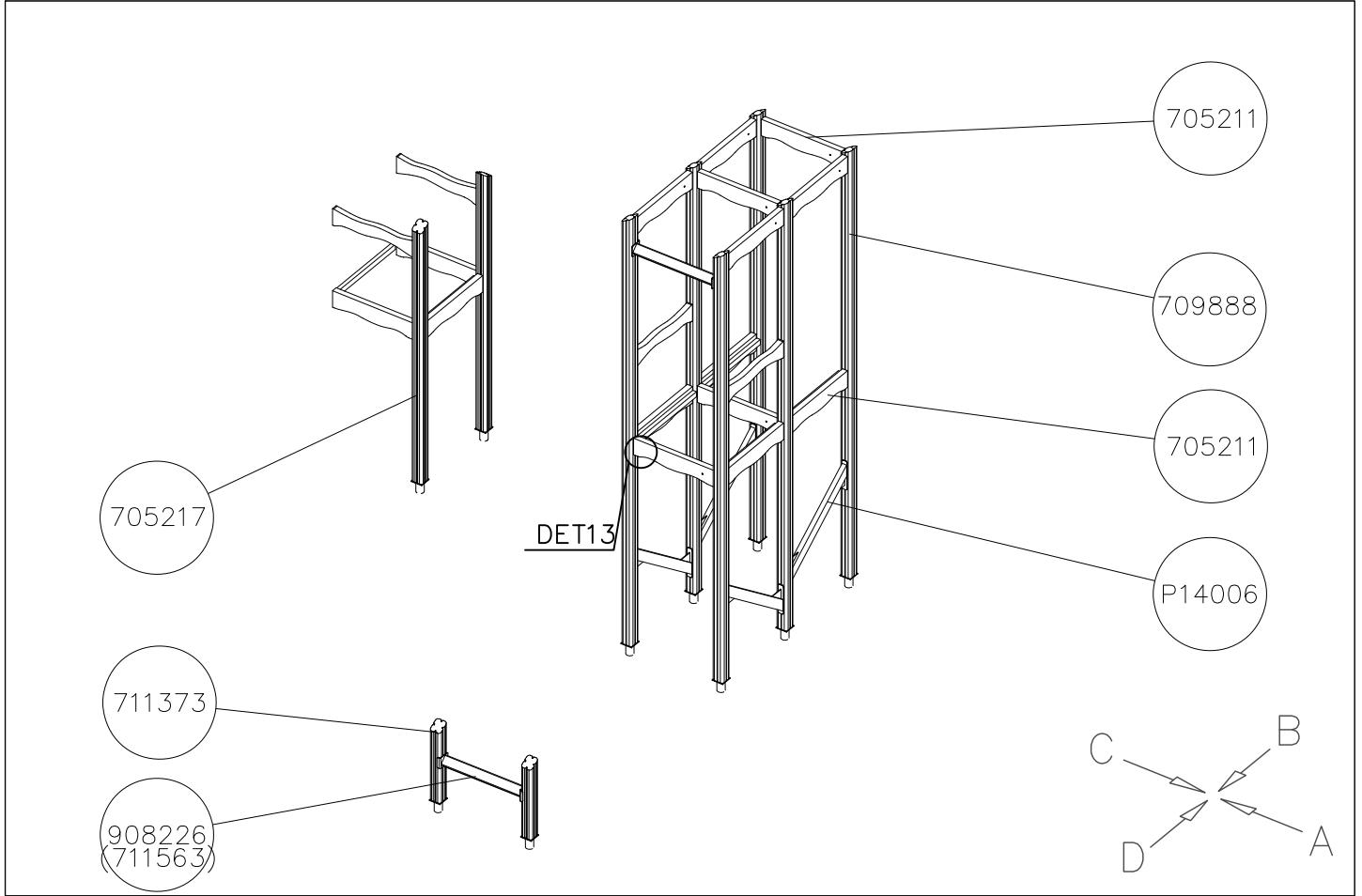
DATE: 11.6.2024





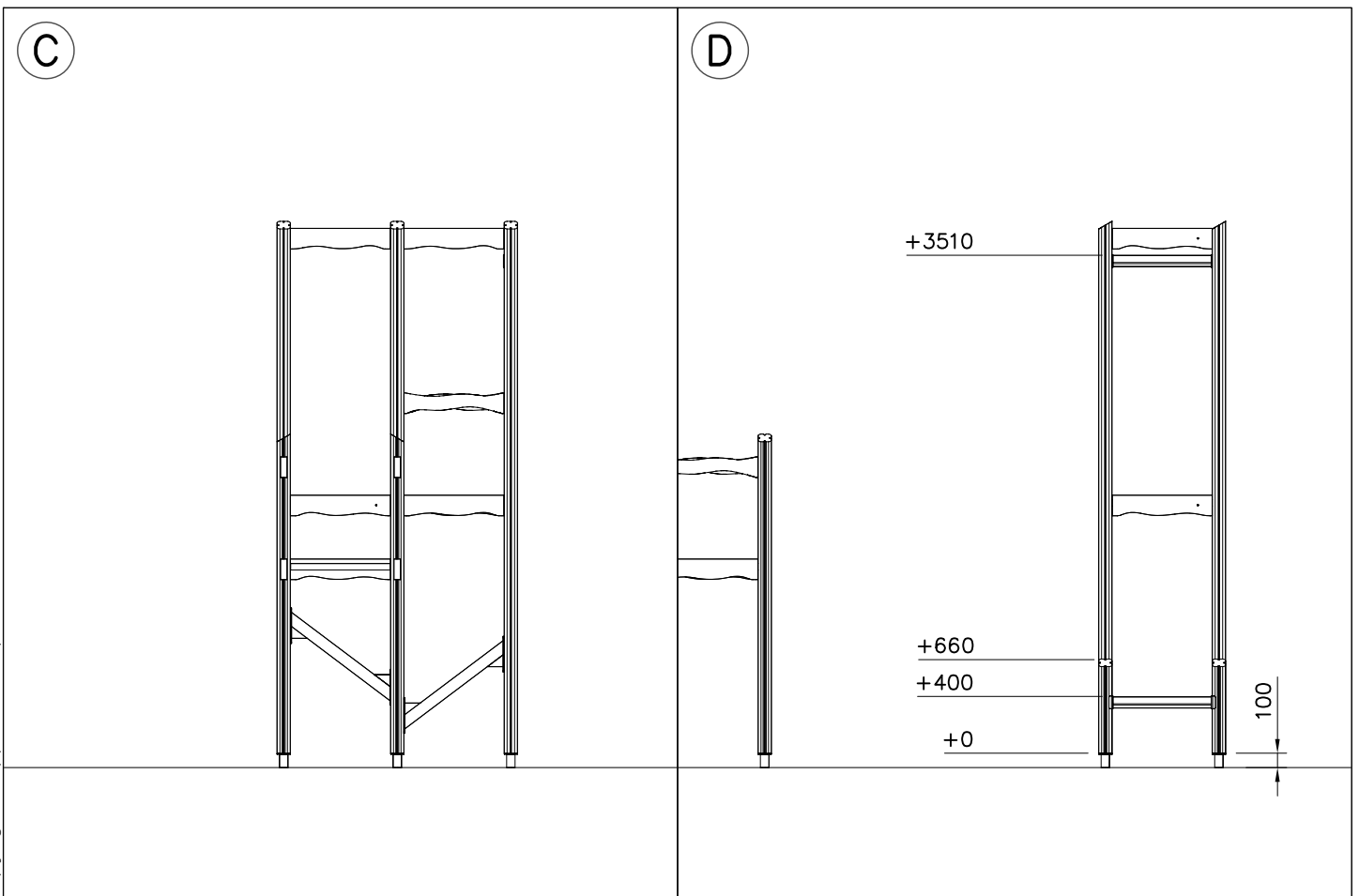
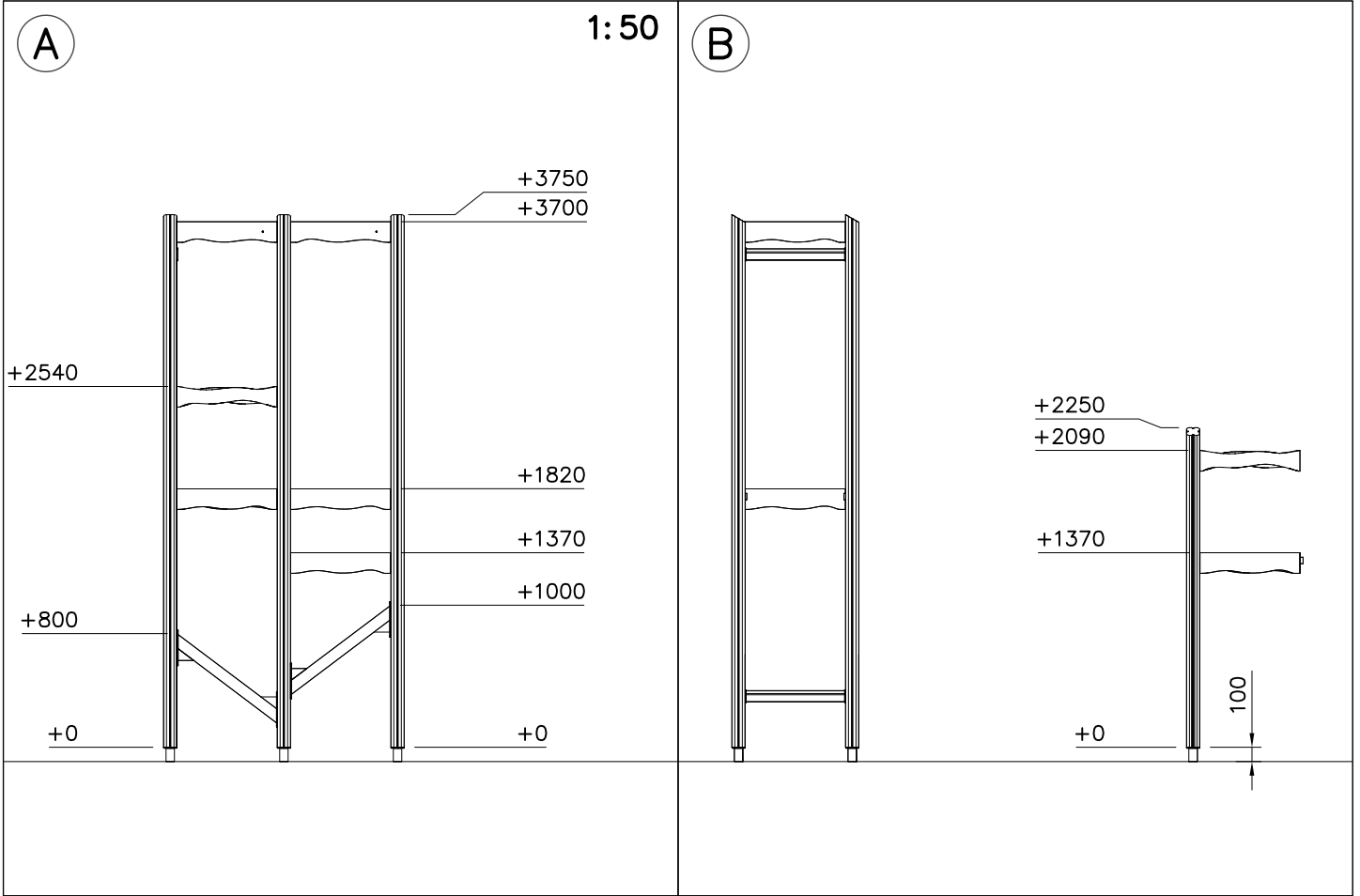
DATE: 11.6.2024

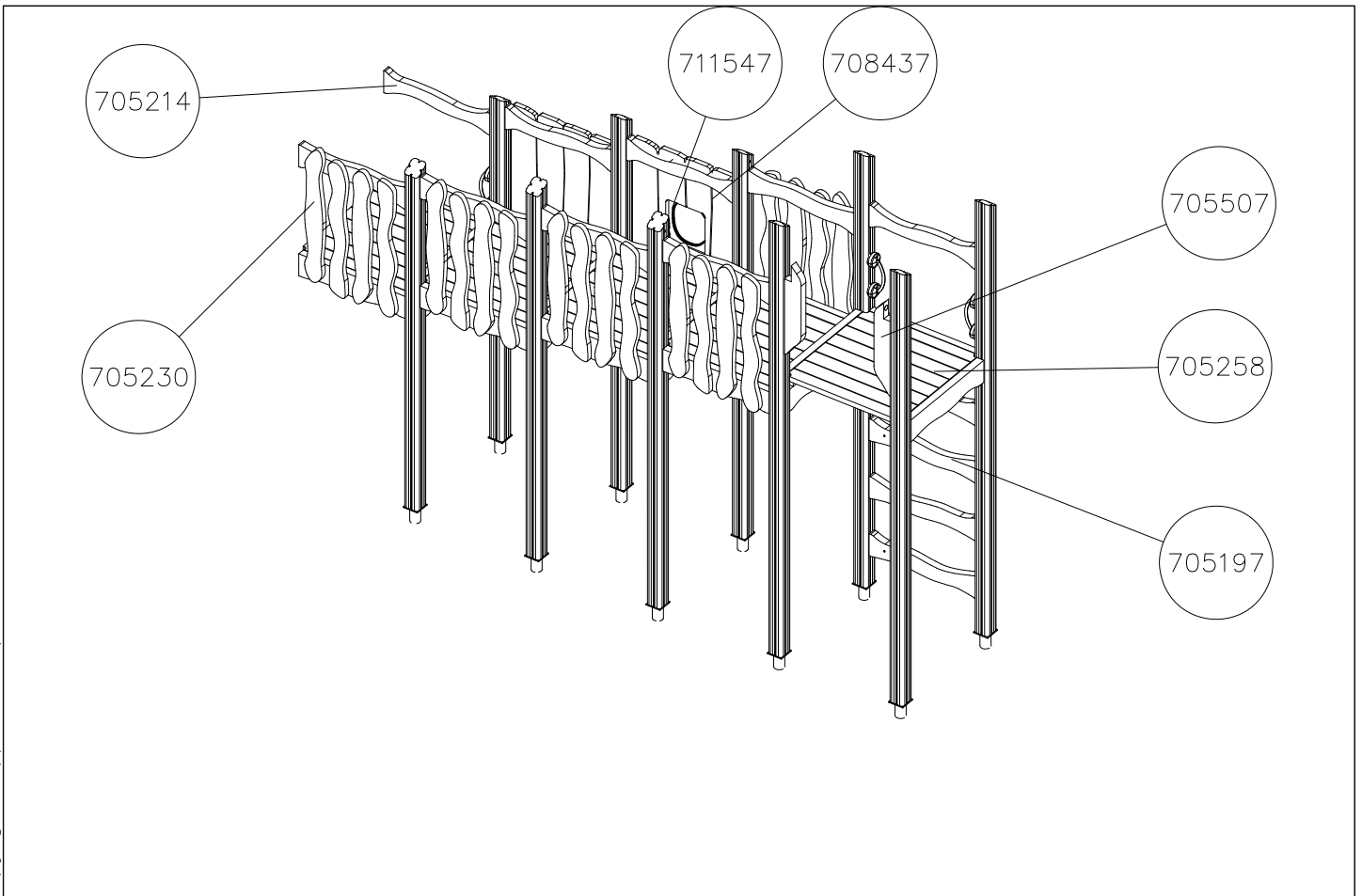
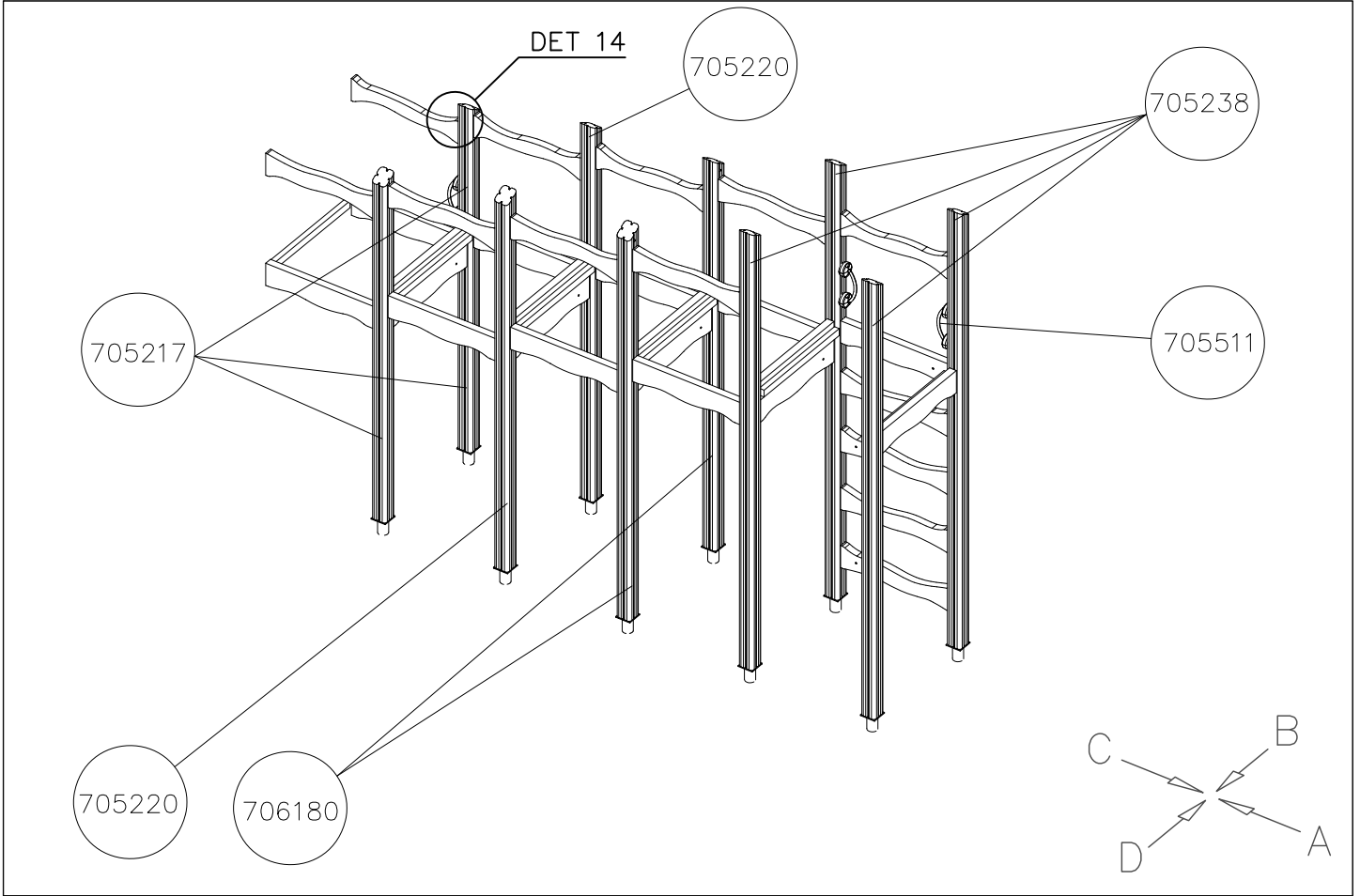




DATE: 11.6.2024

1:50

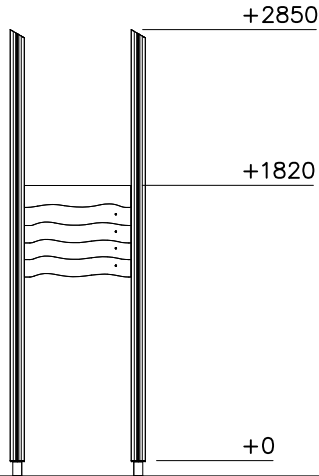




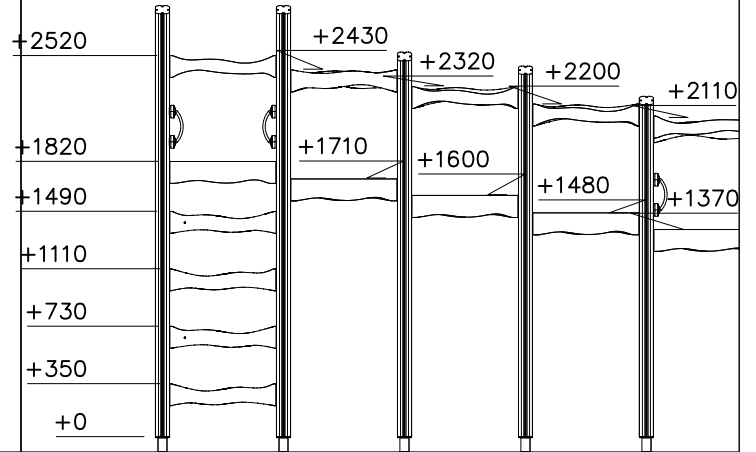
DATE: 11.6.2024

1:50

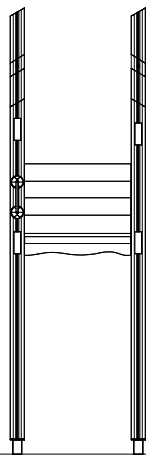
A



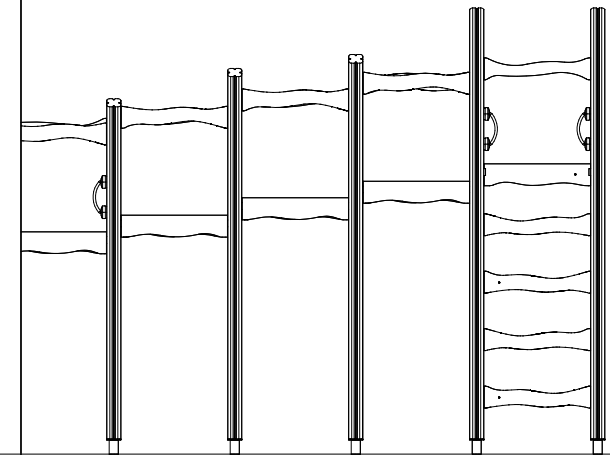
B

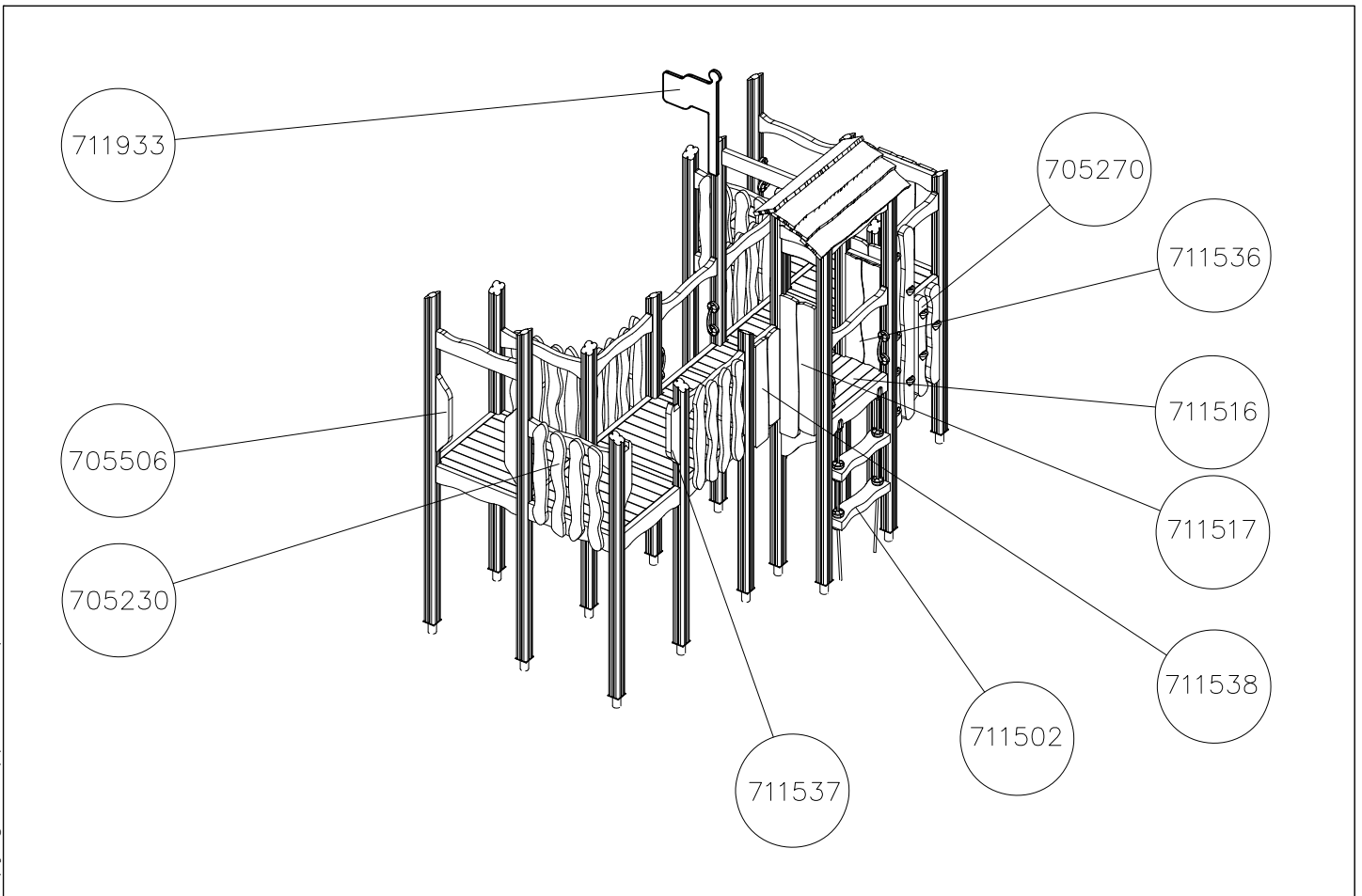
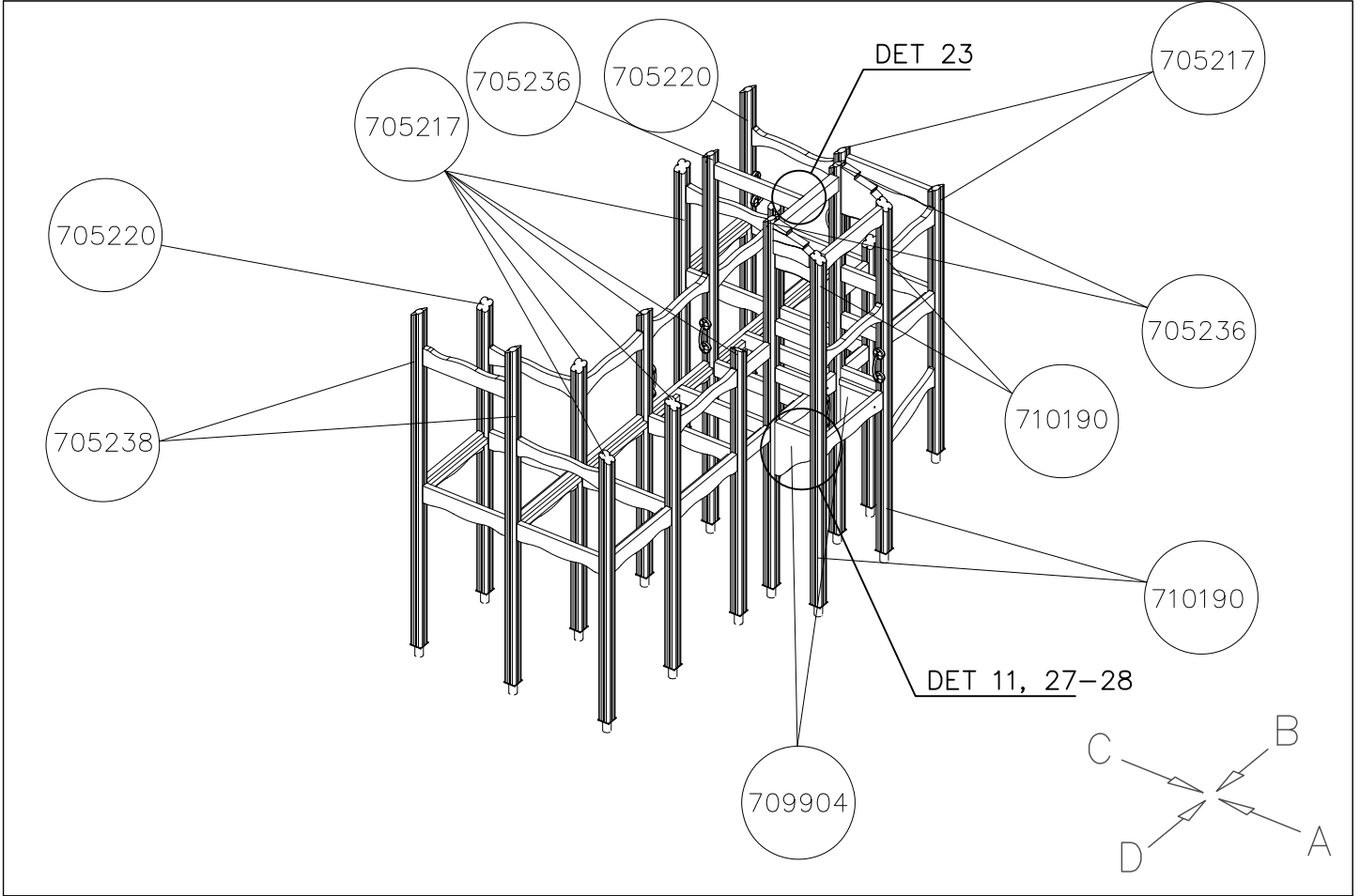


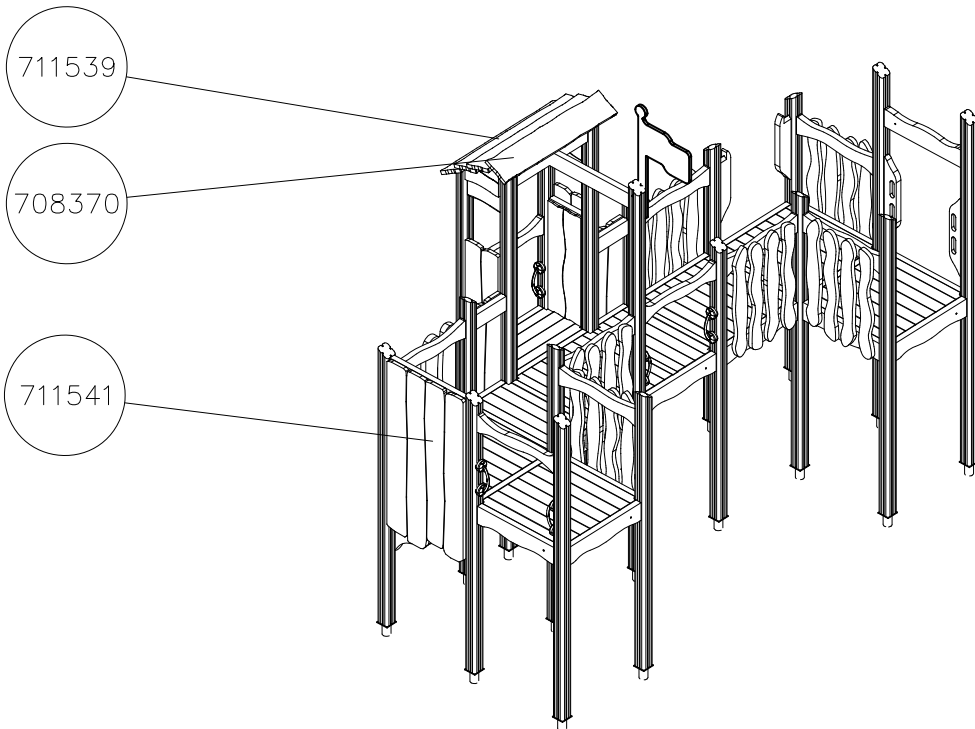
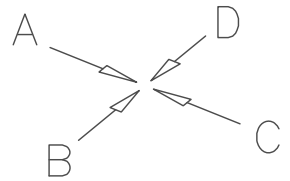
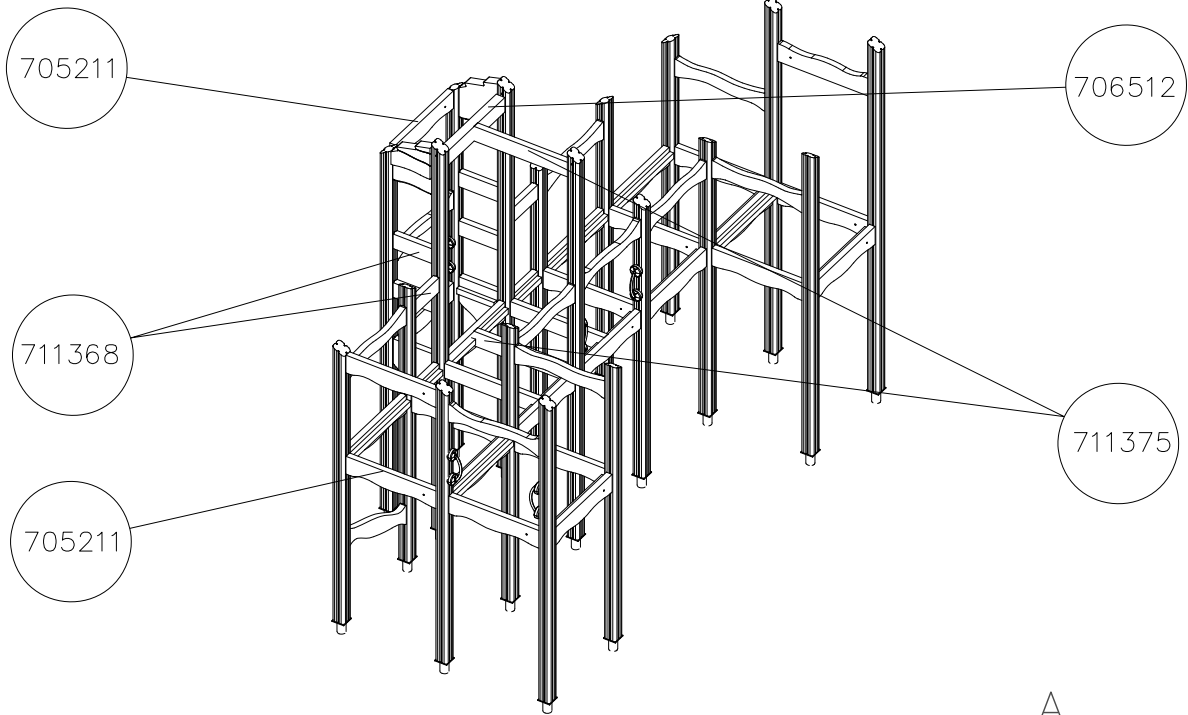
C



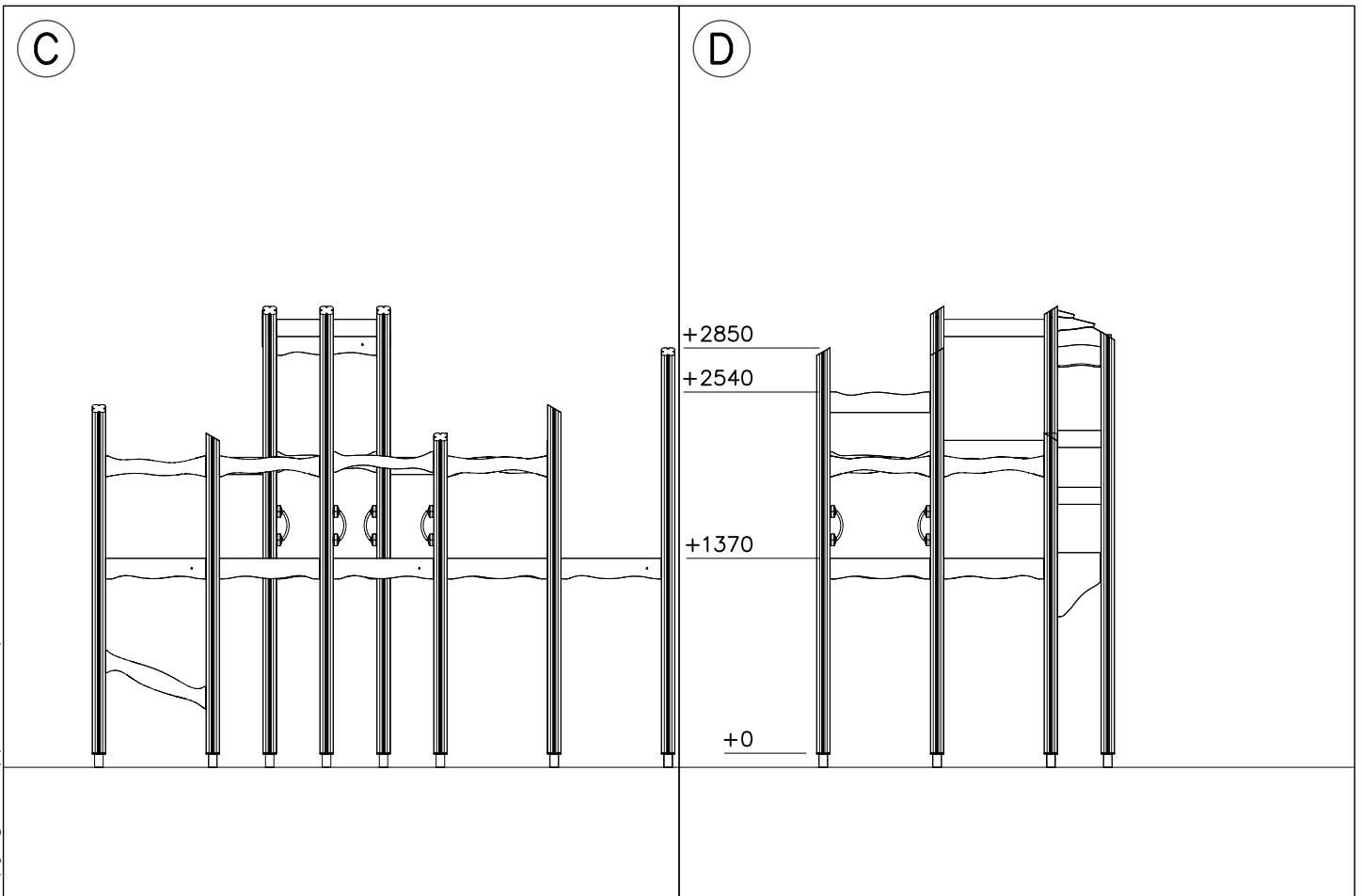
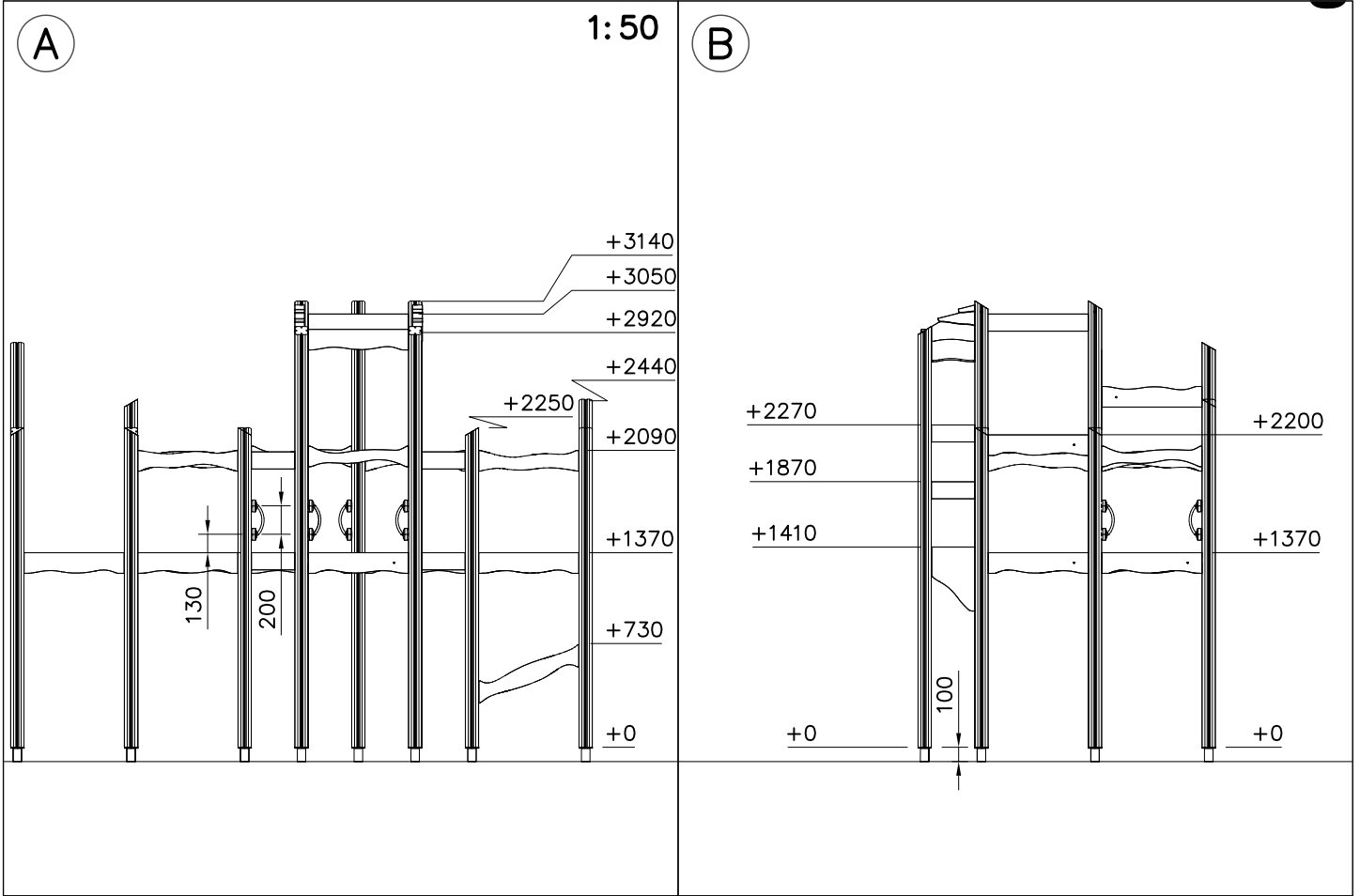
D

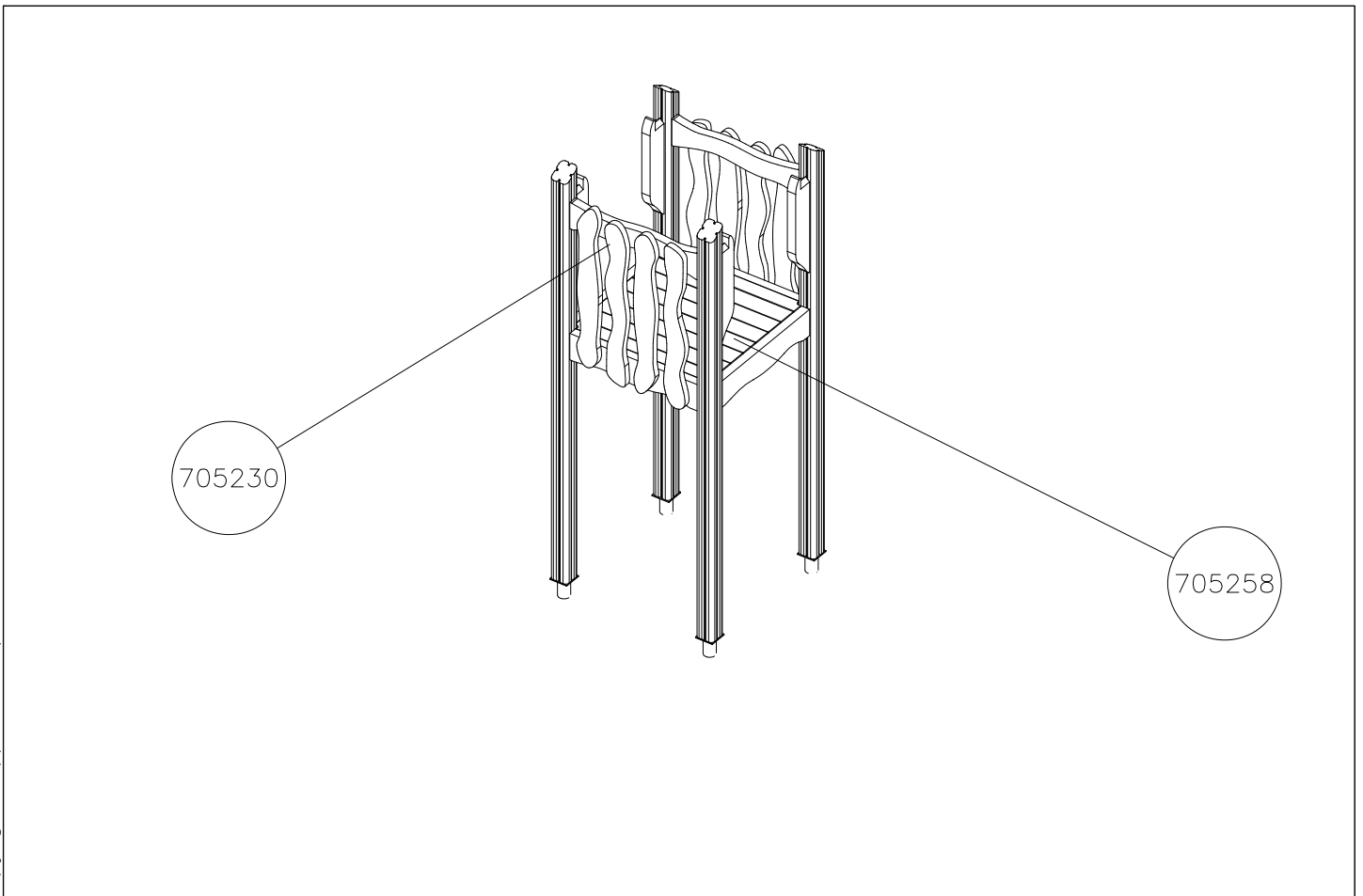
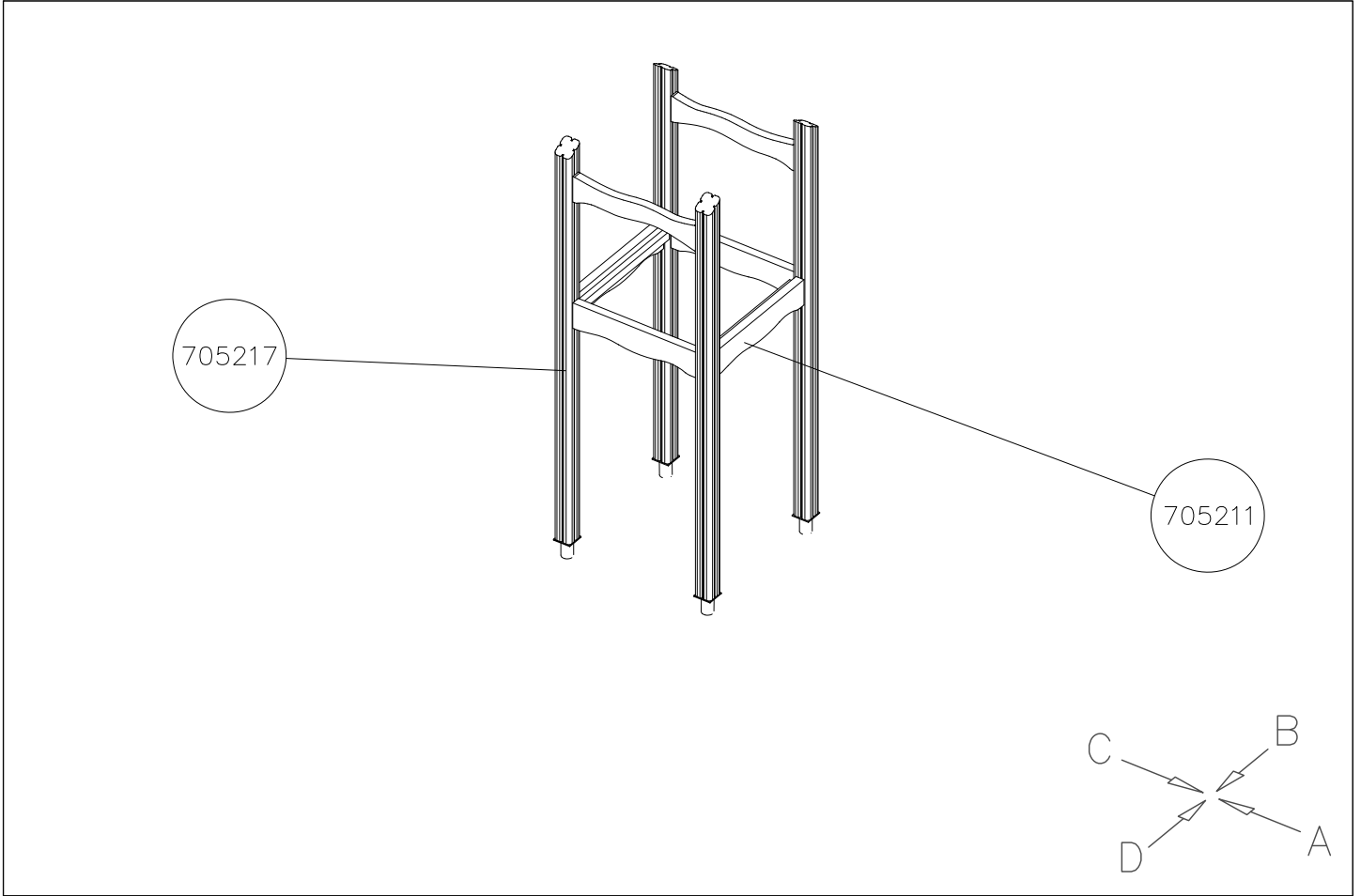






DATE: 11.6.2024

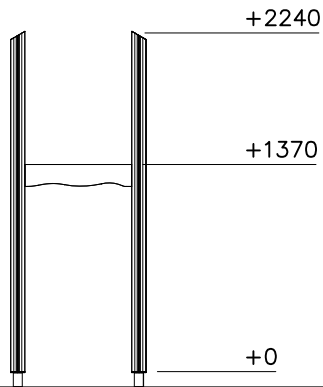




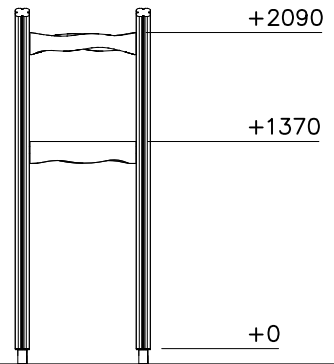
DATE: 11.6.2024

1:50

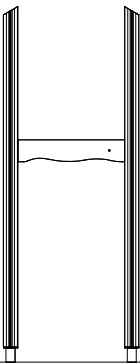
A



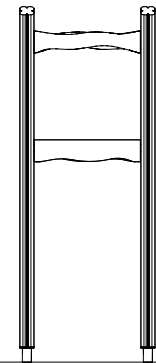
B



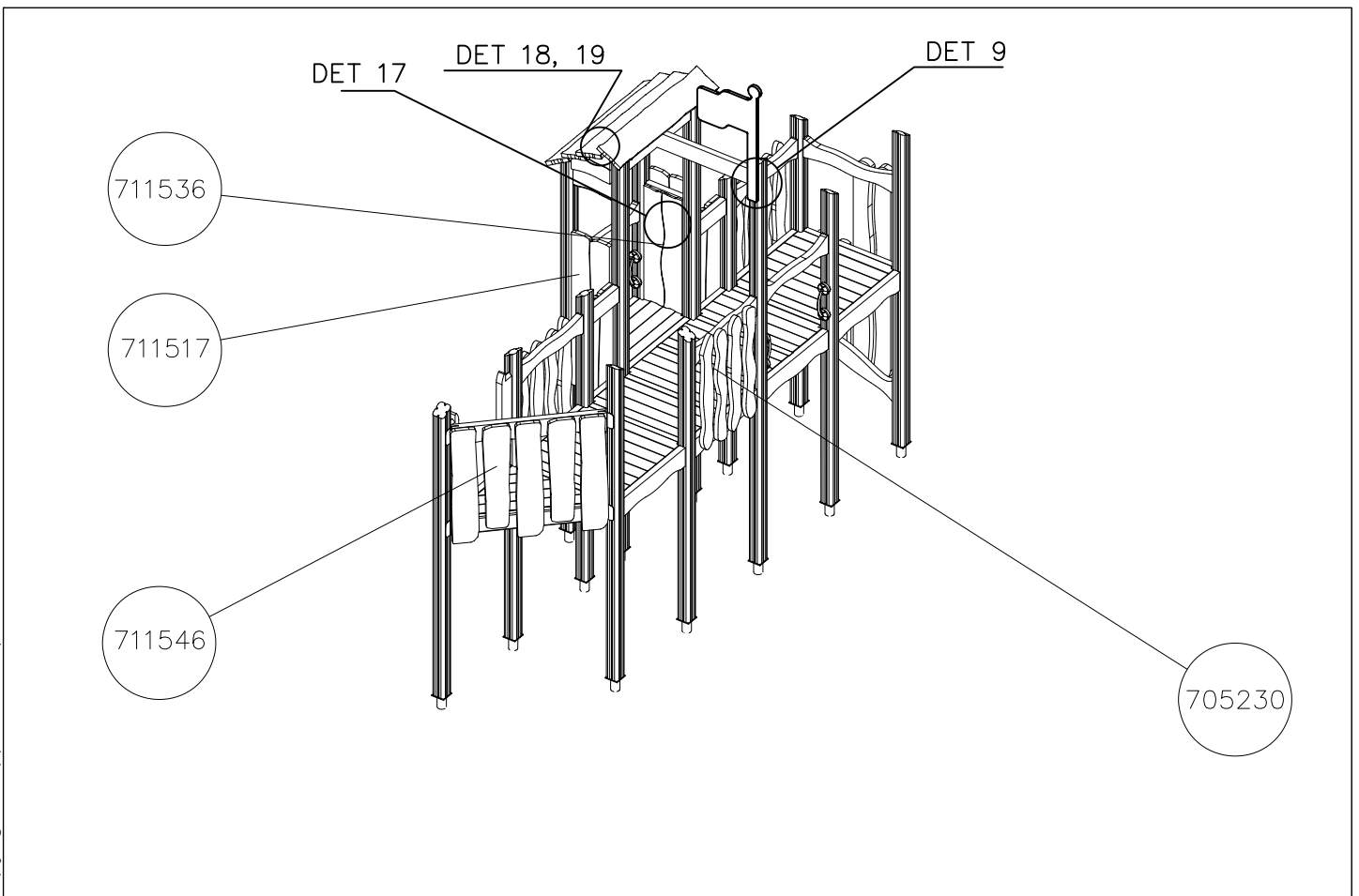
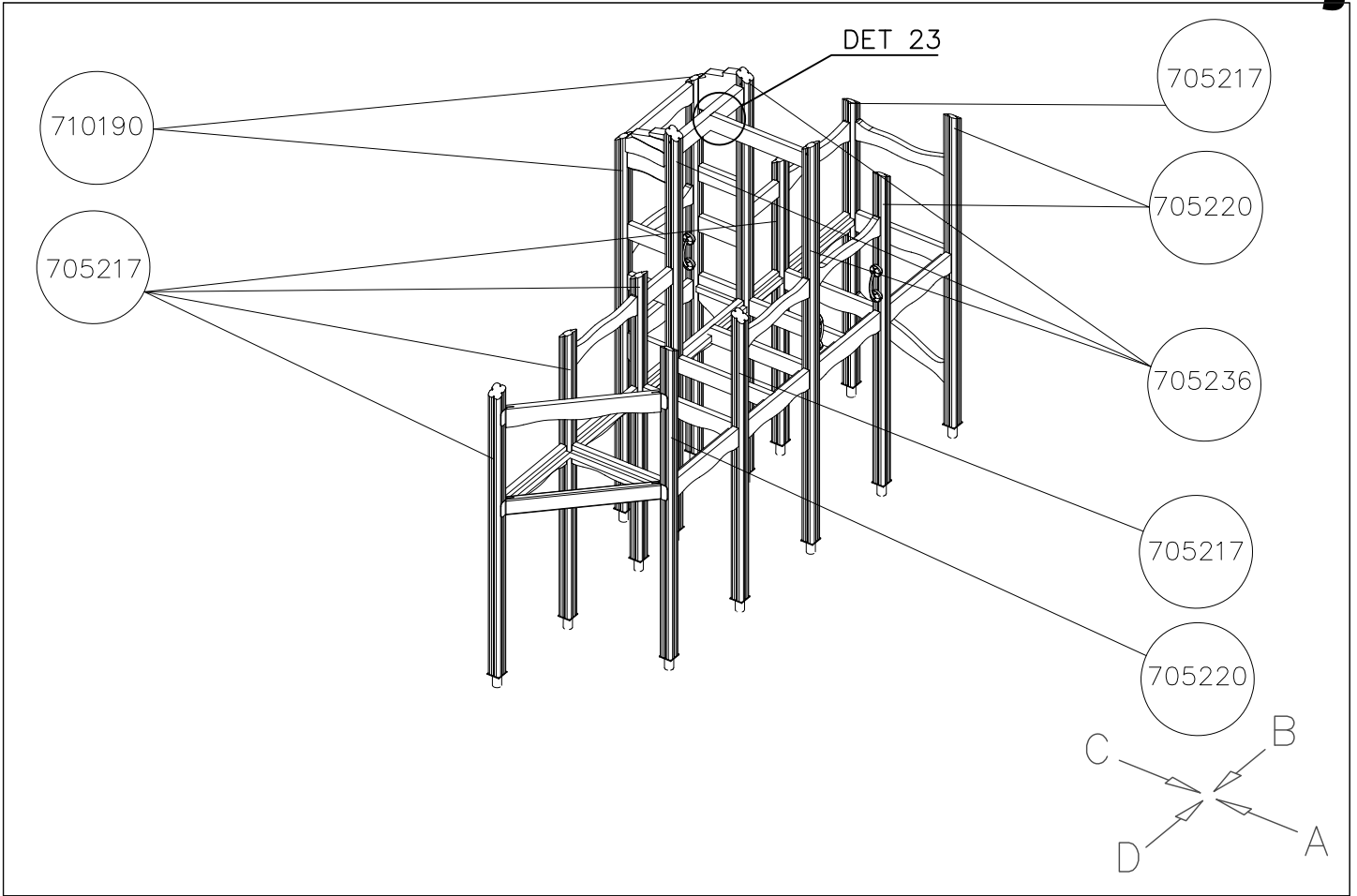
C

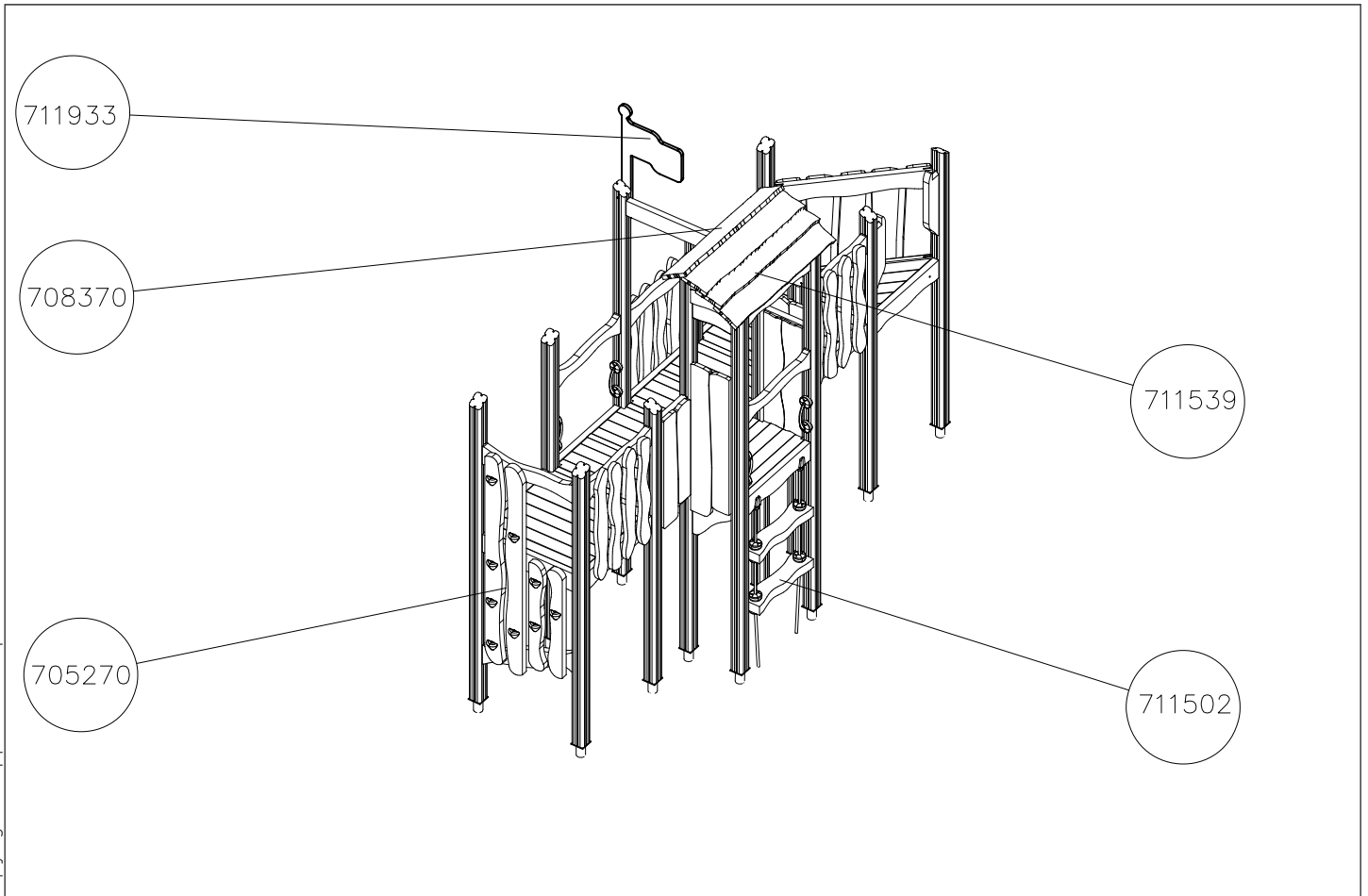
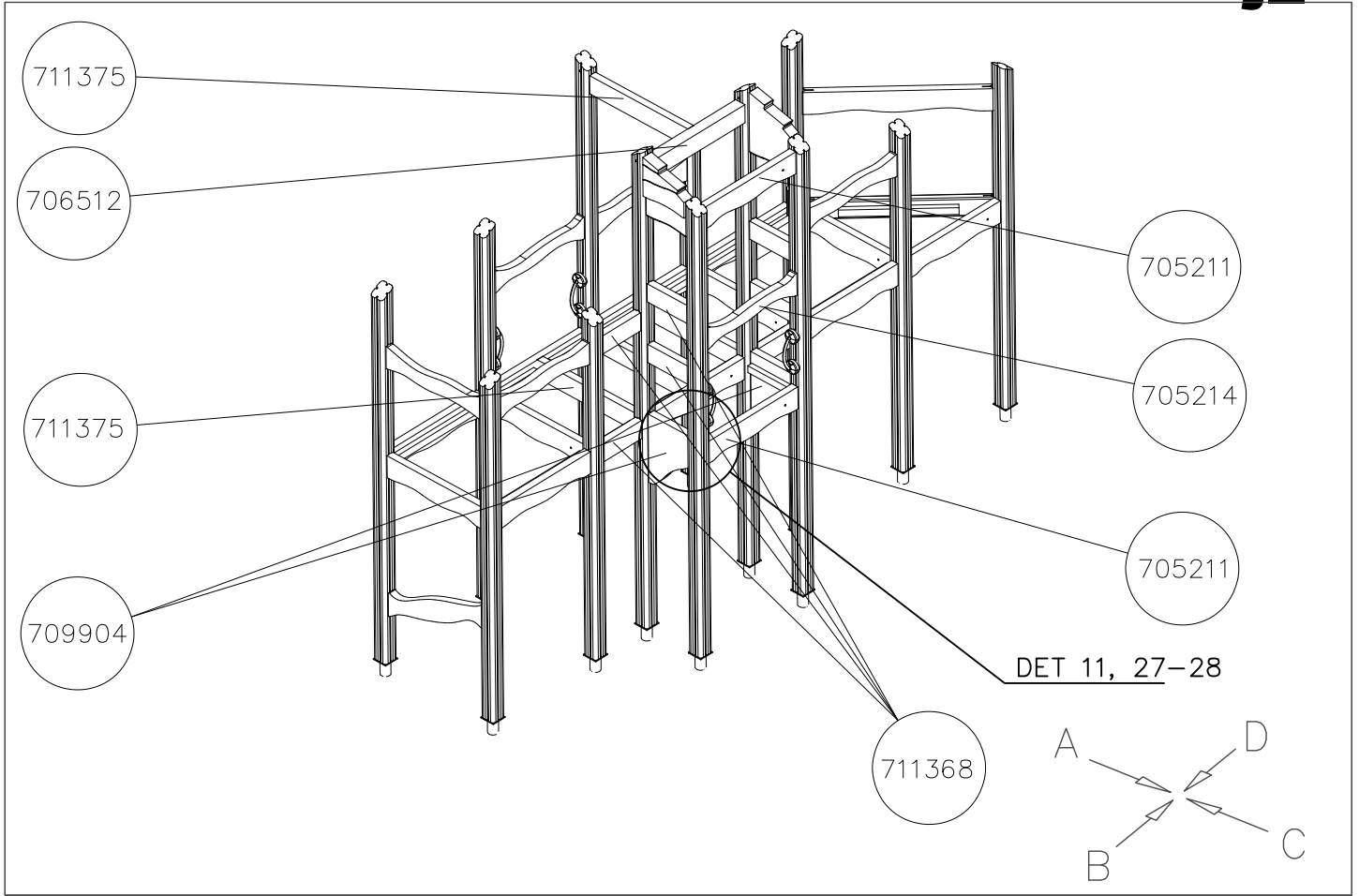


D



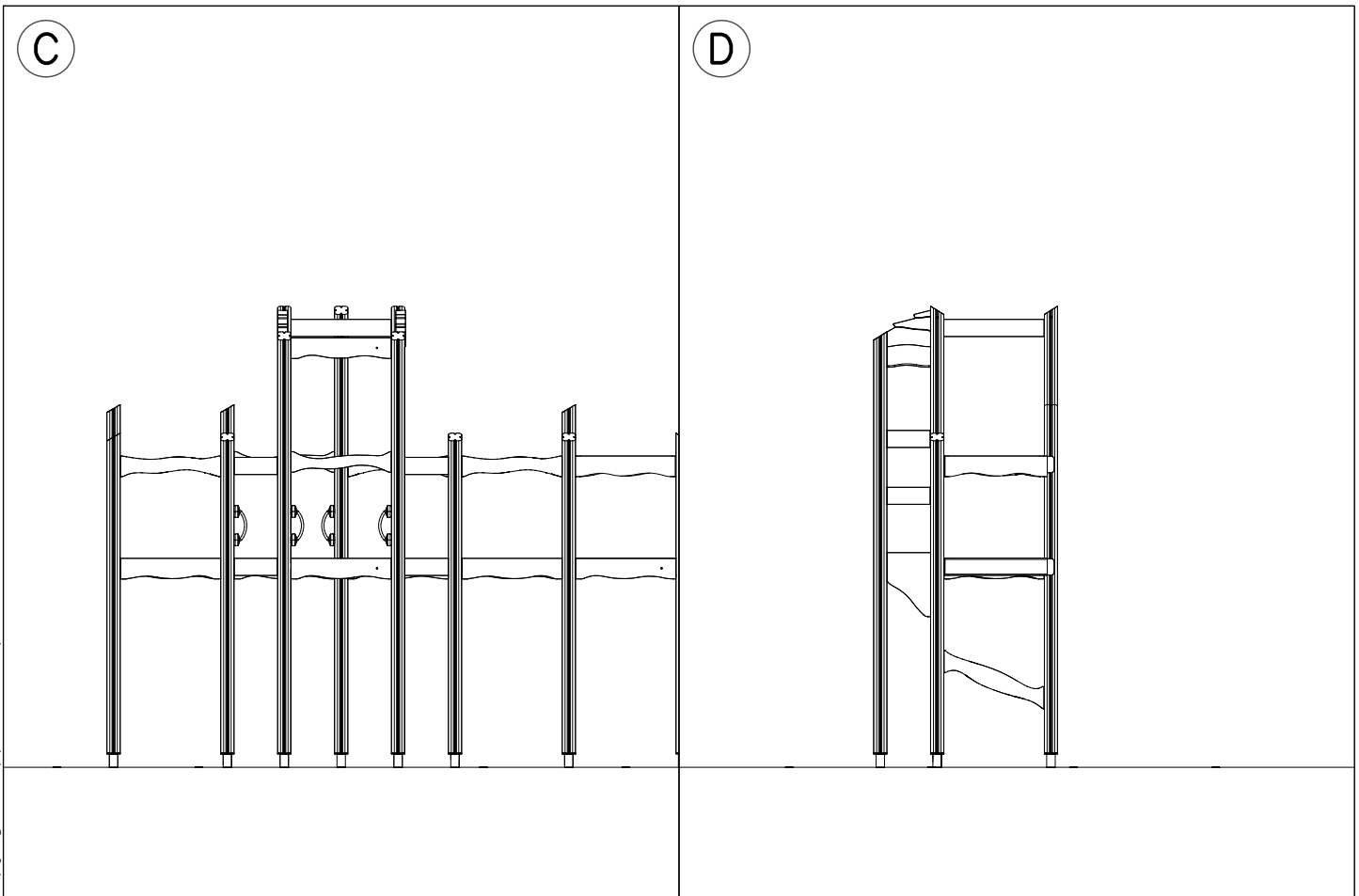
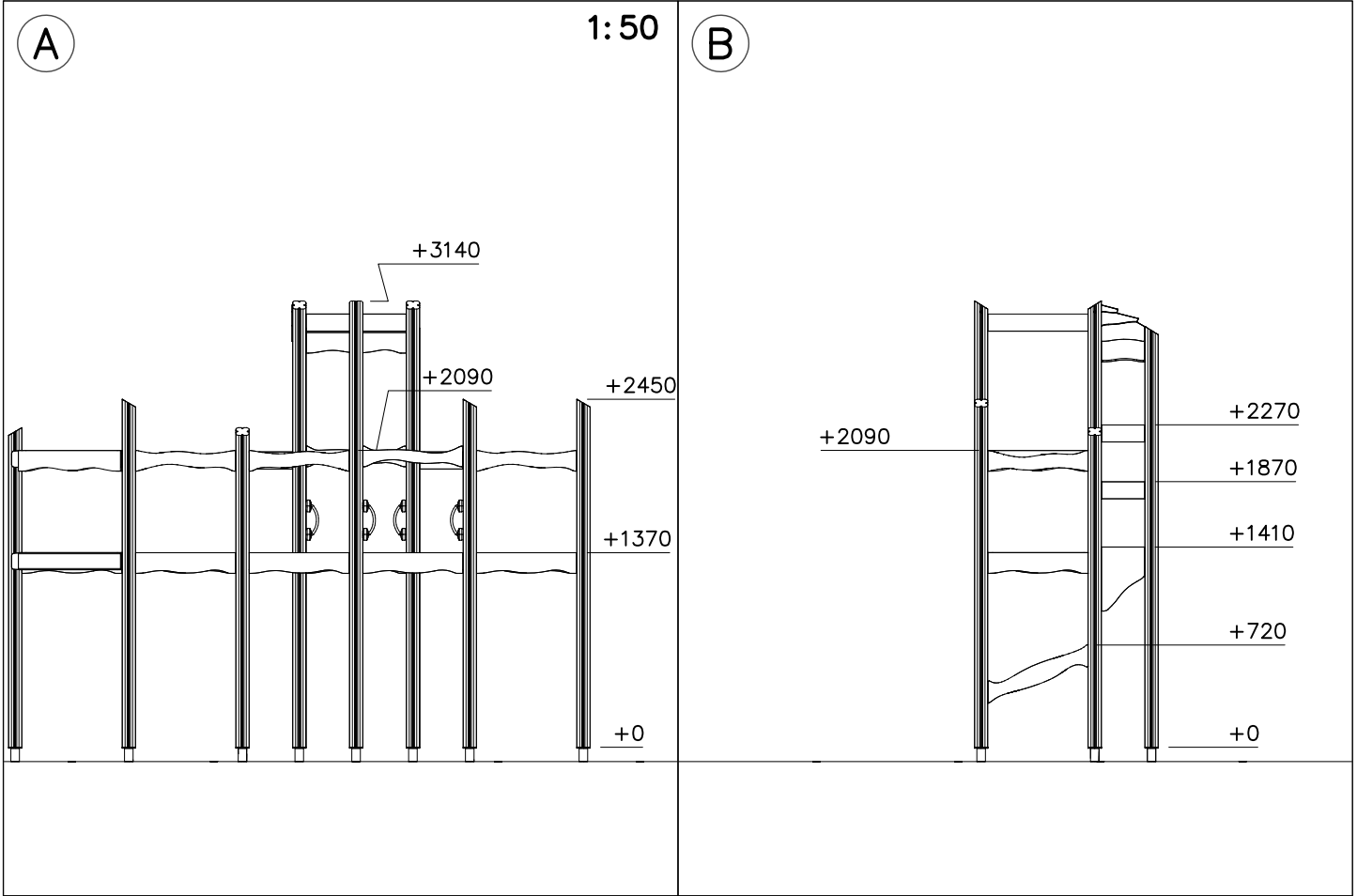
DATE: 11.6.2024

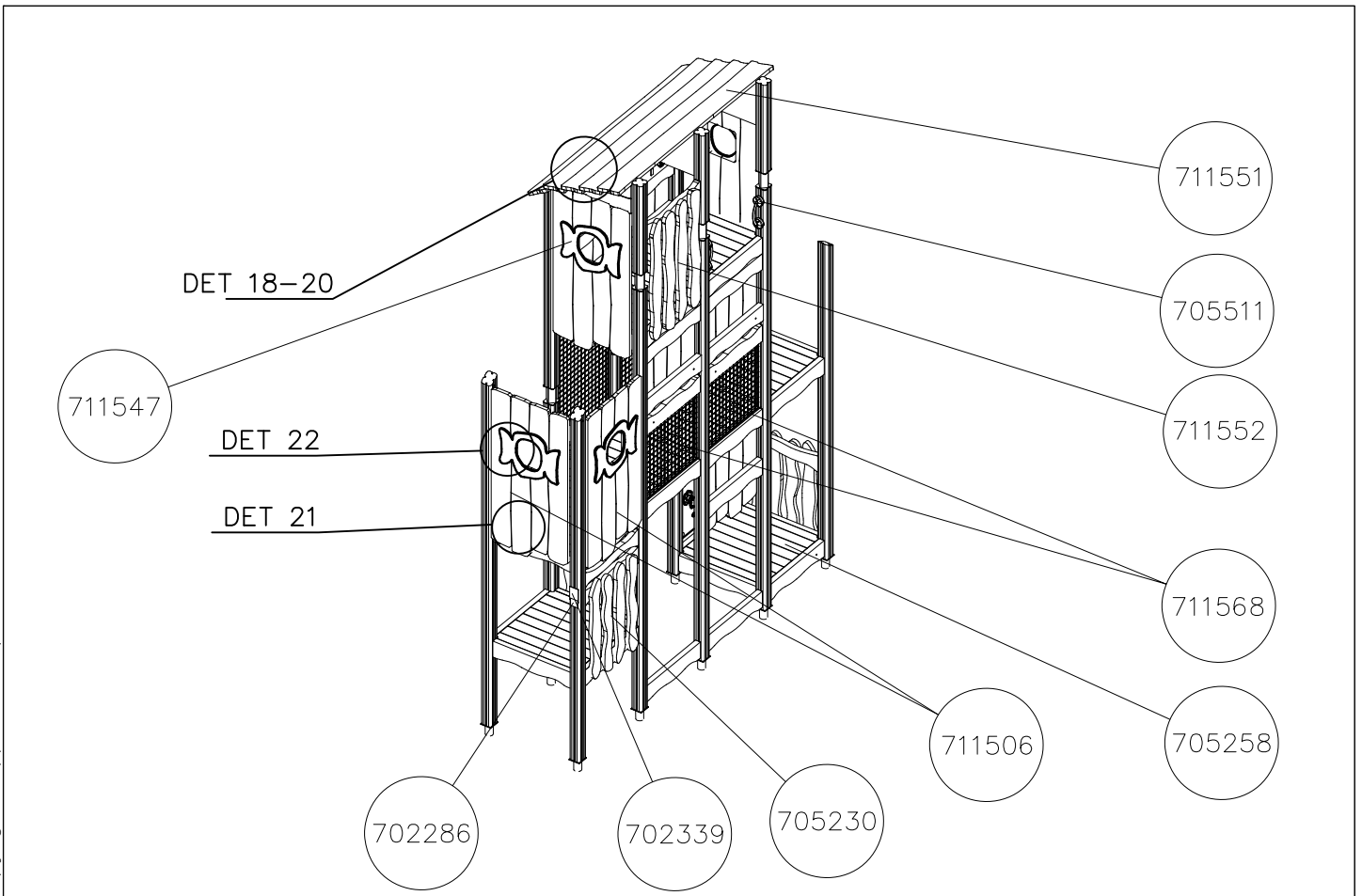
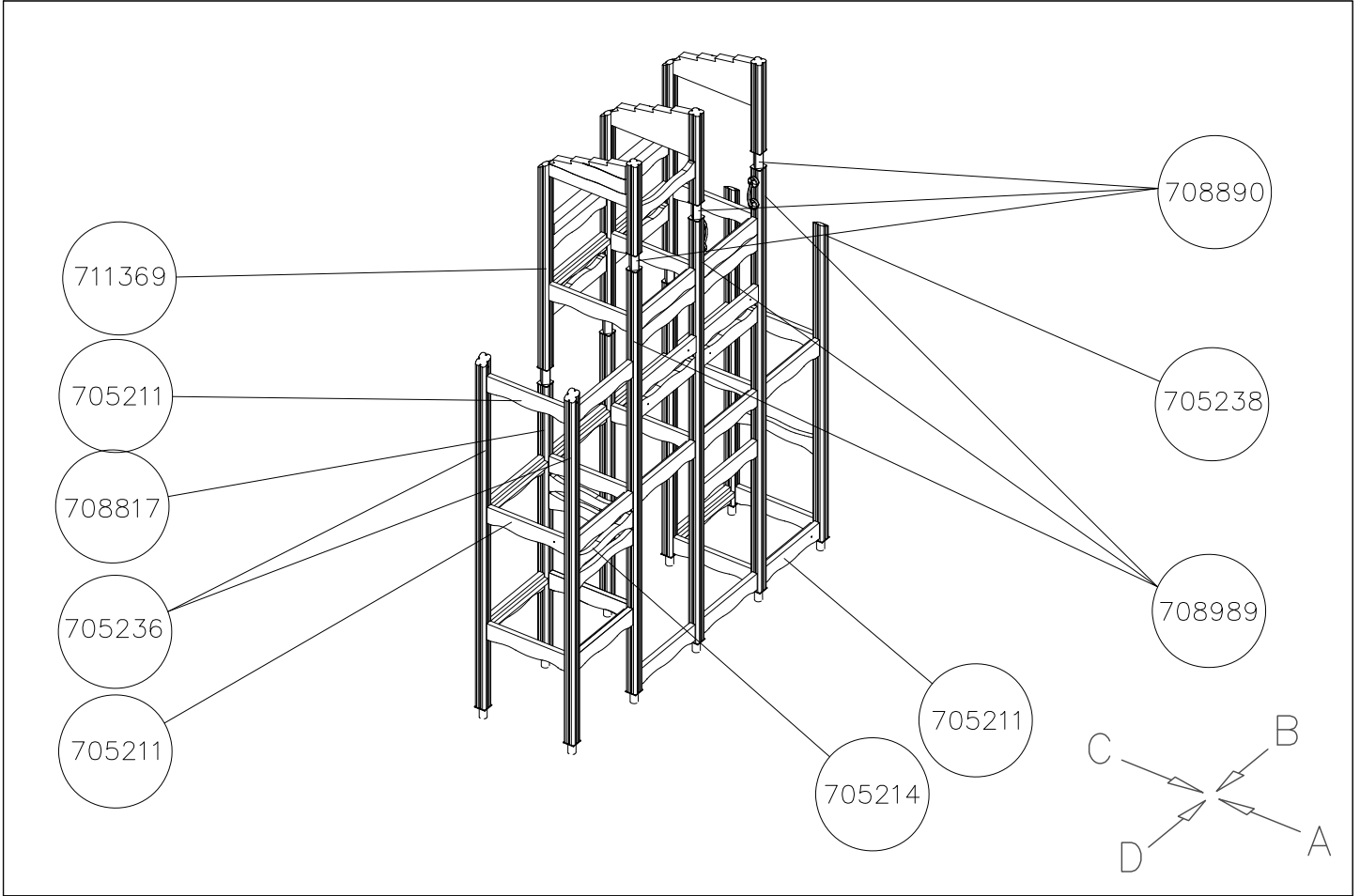


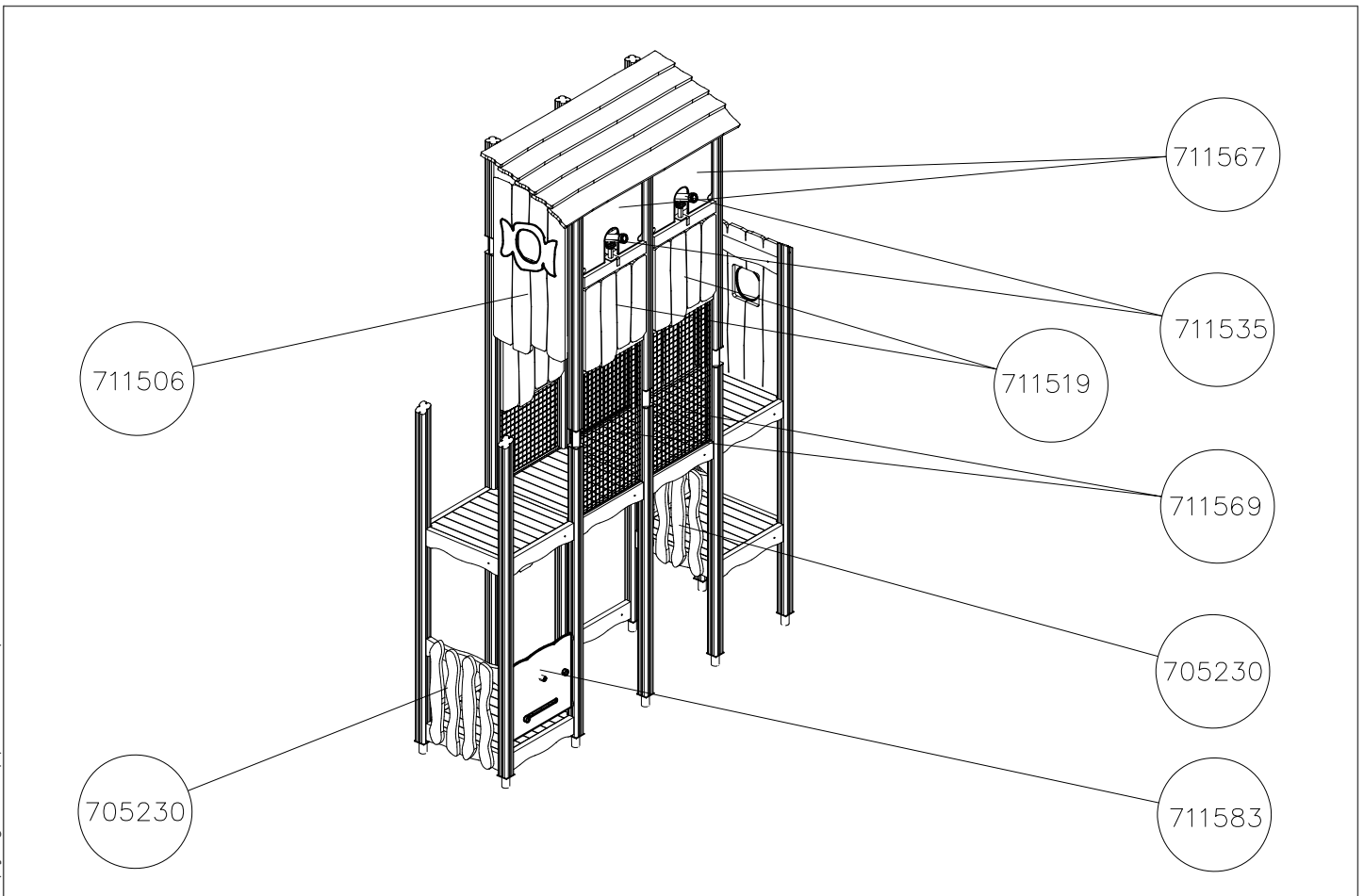
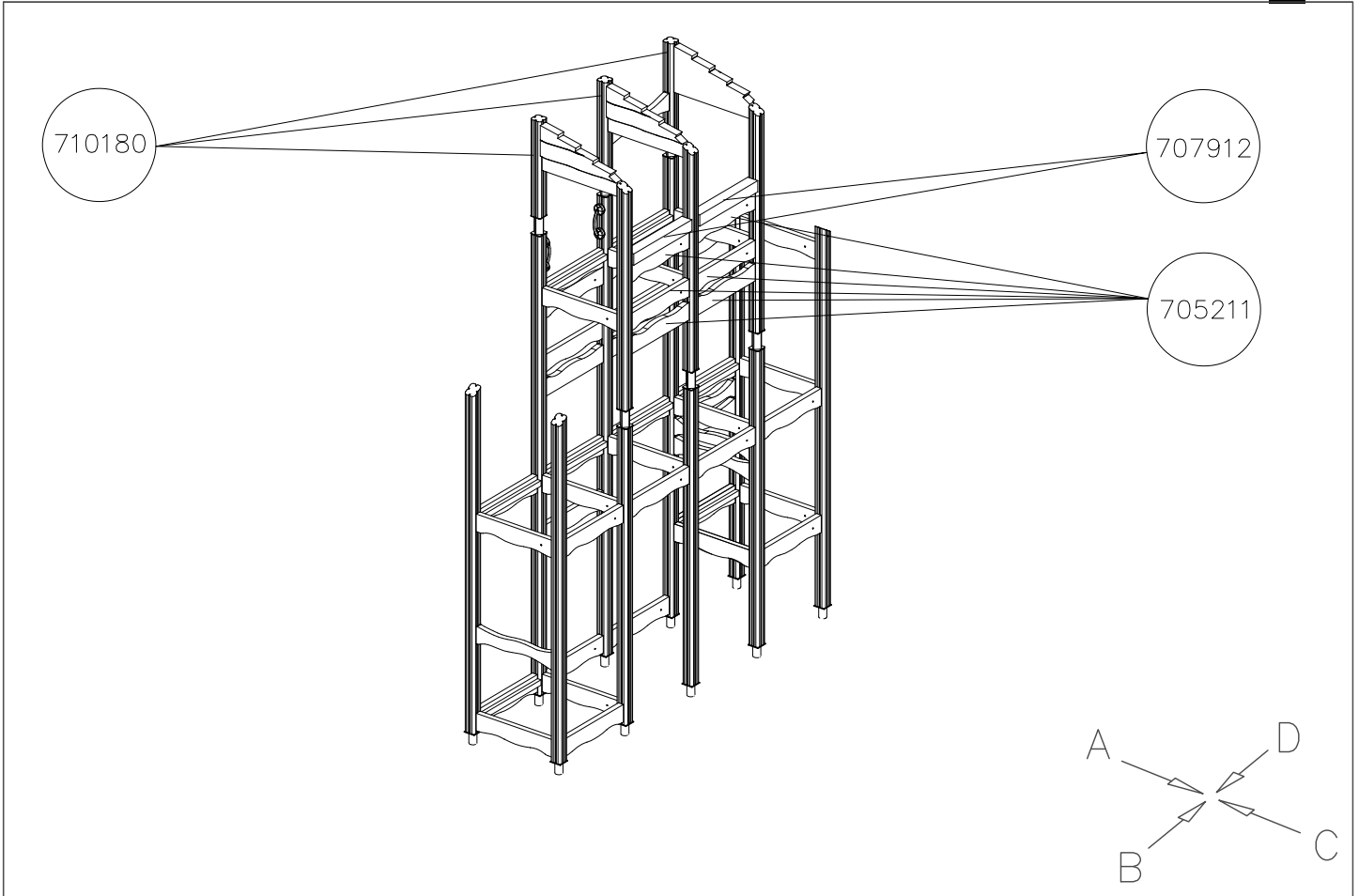


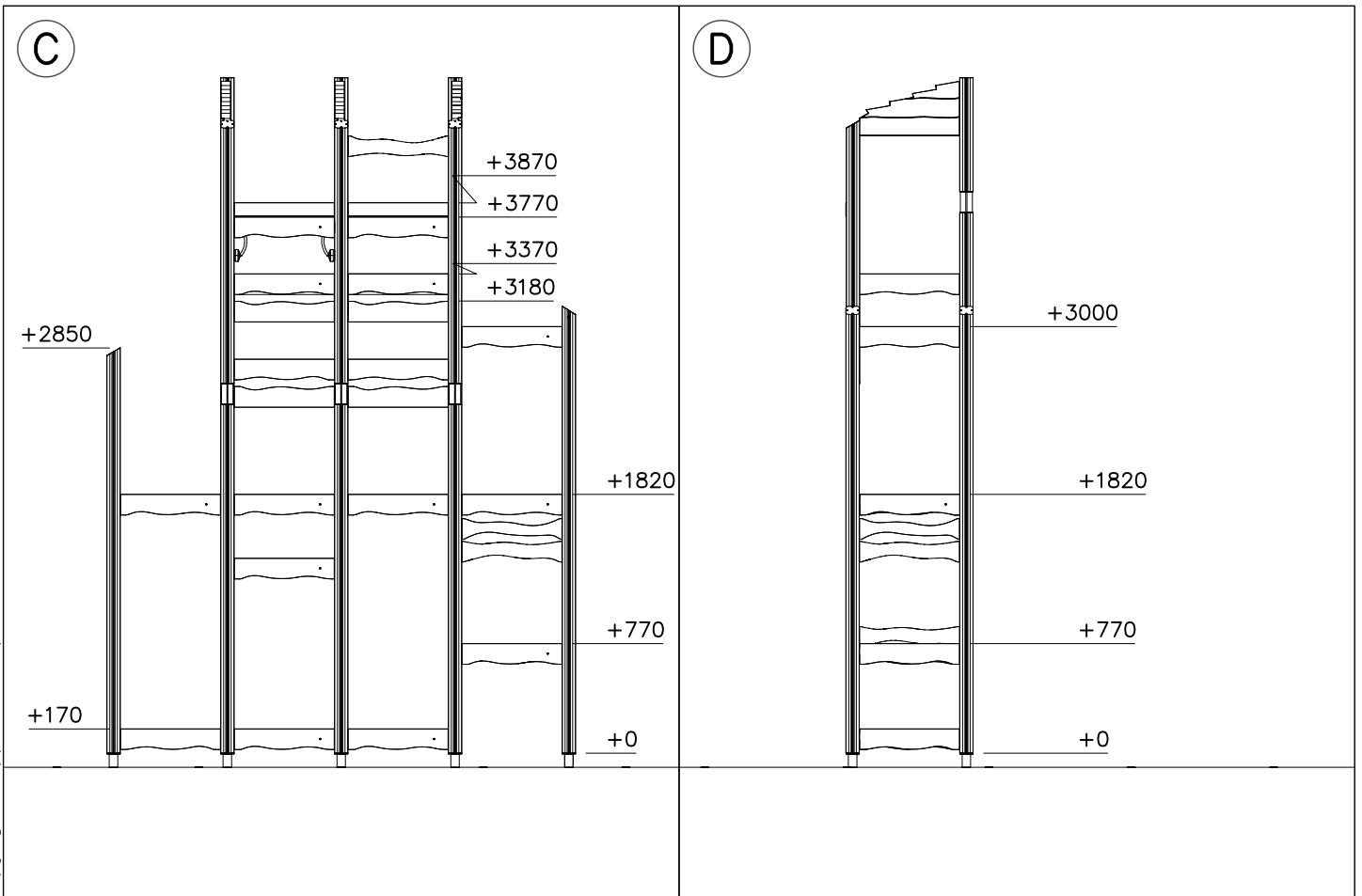
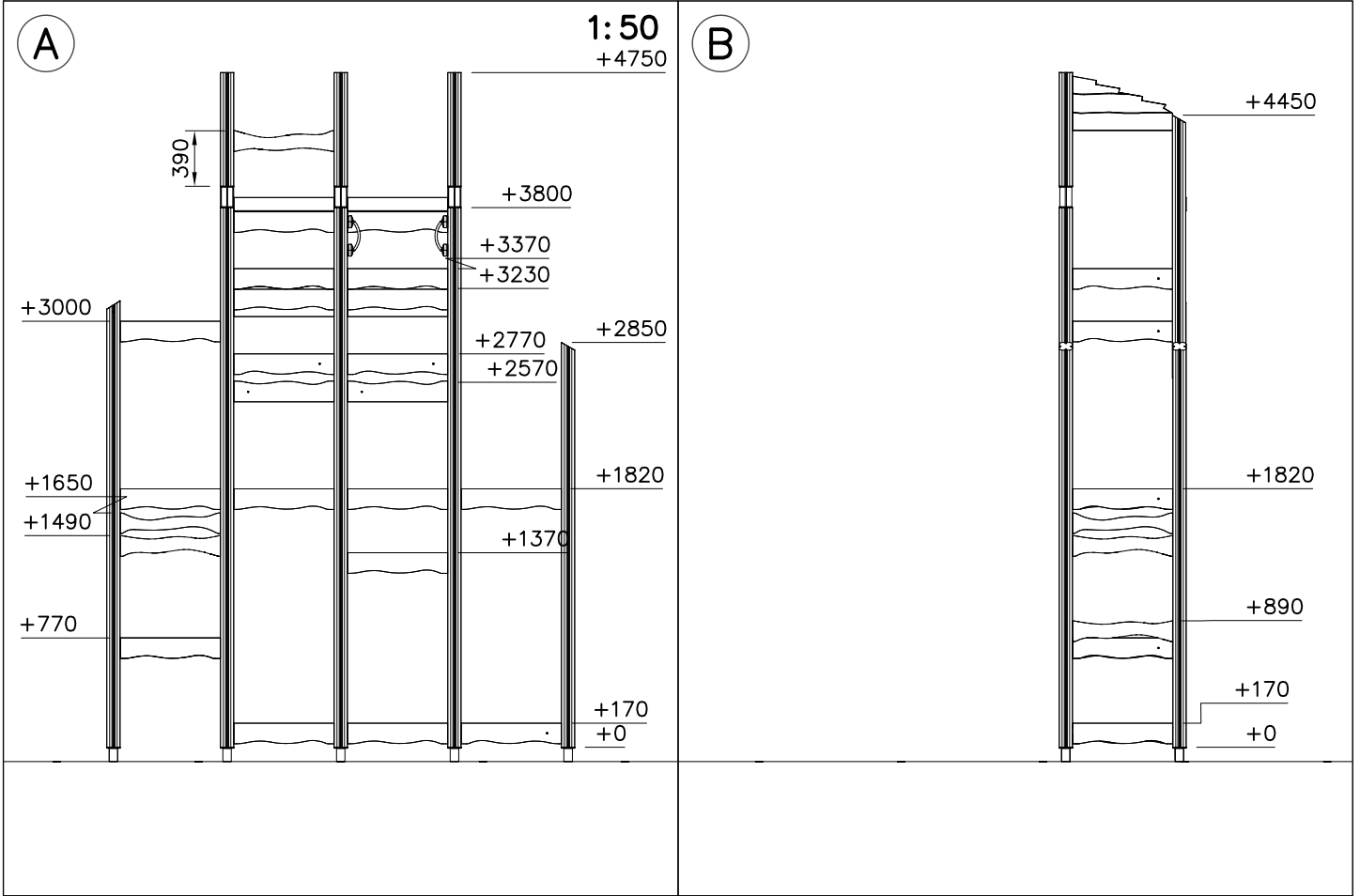
DATE: 11.6.2024

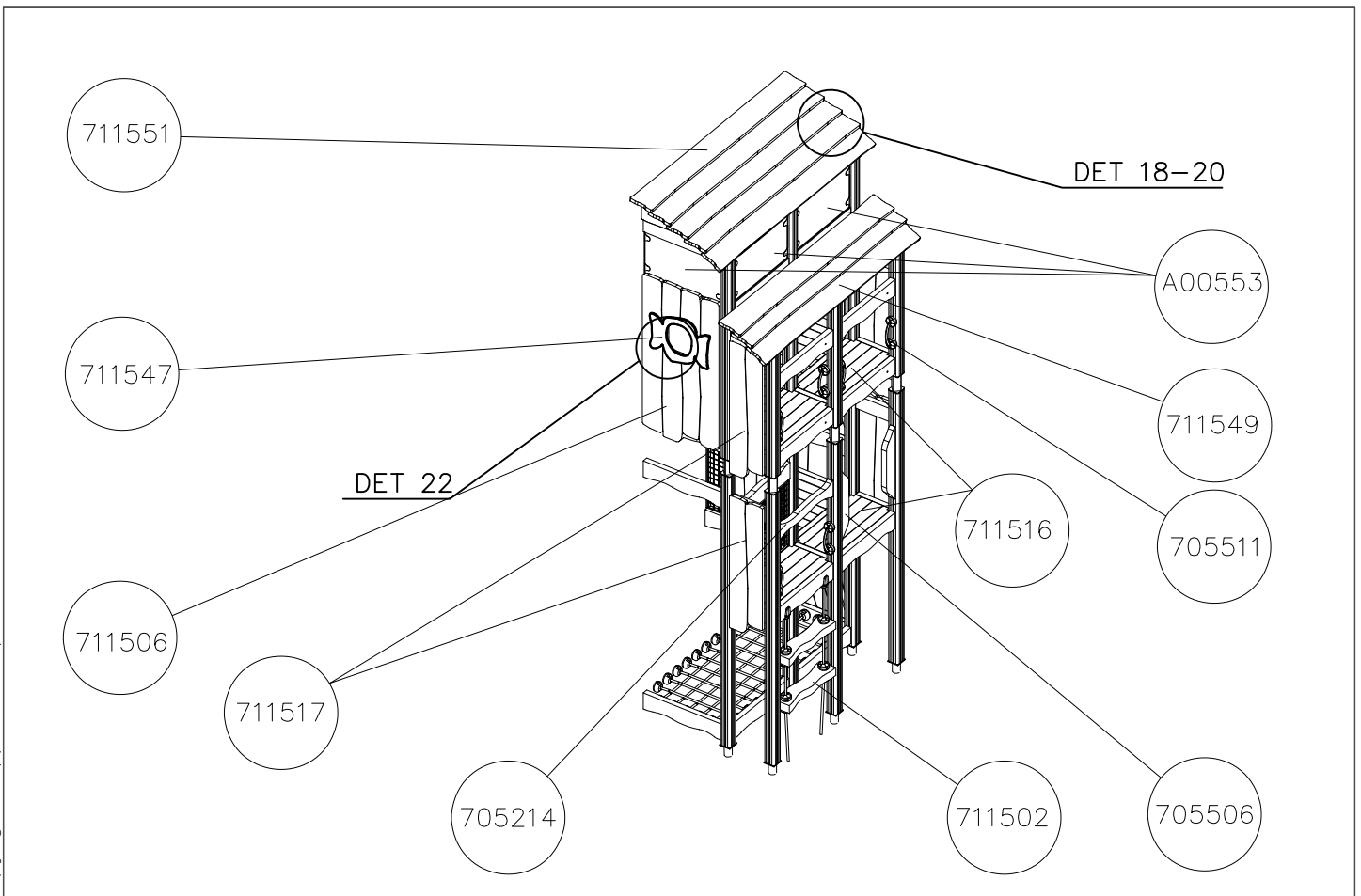
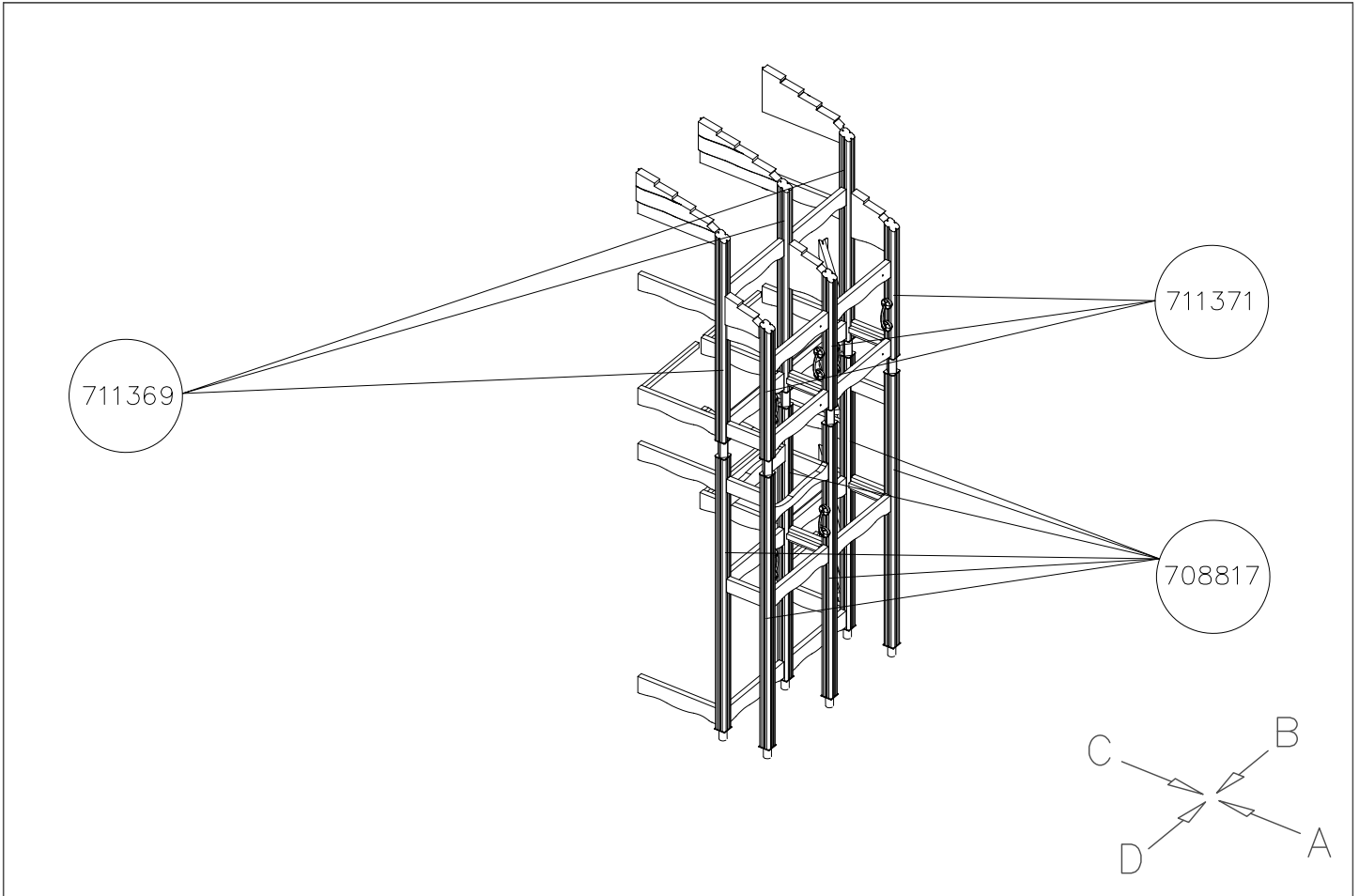
1:50

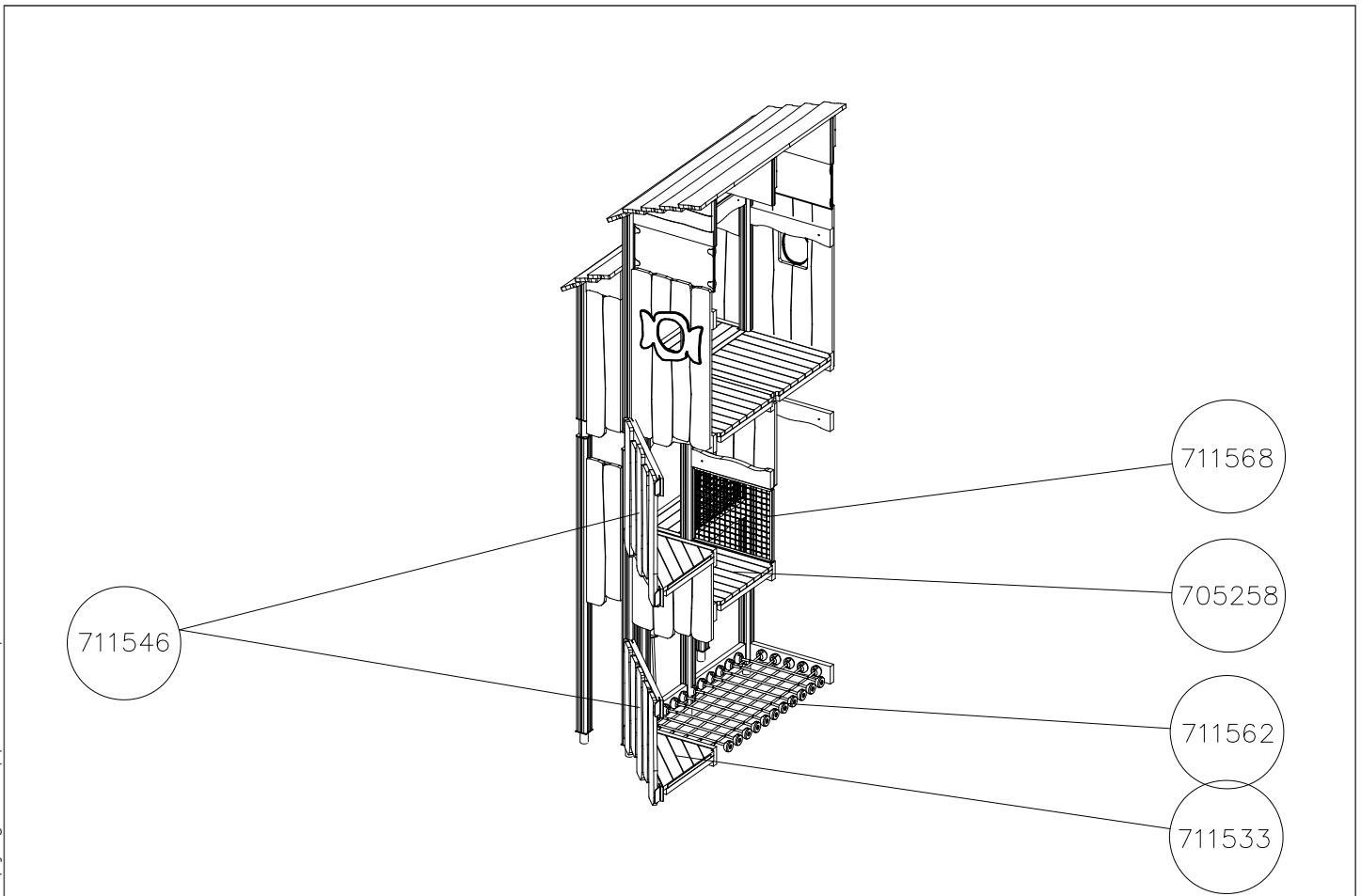
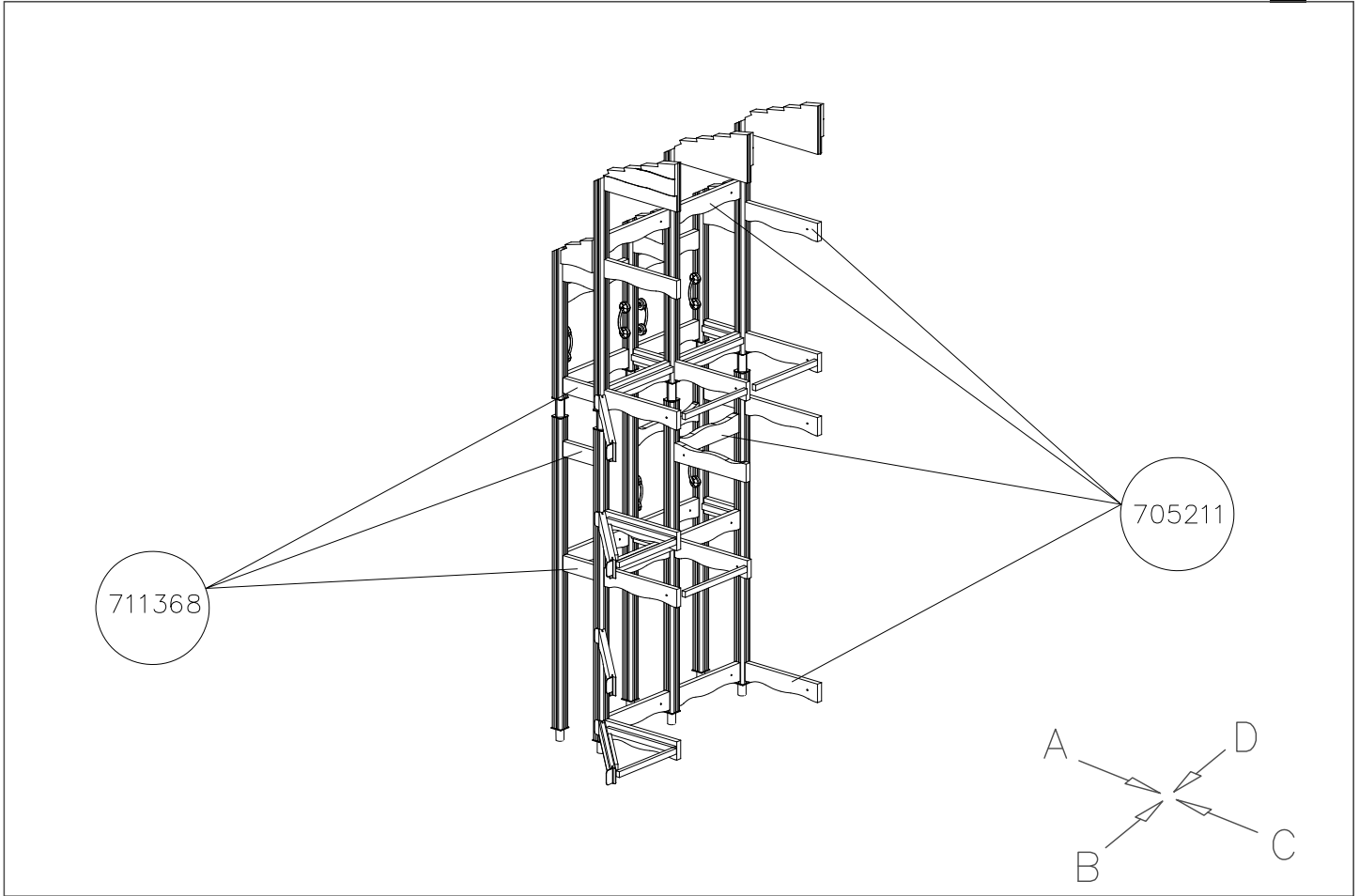


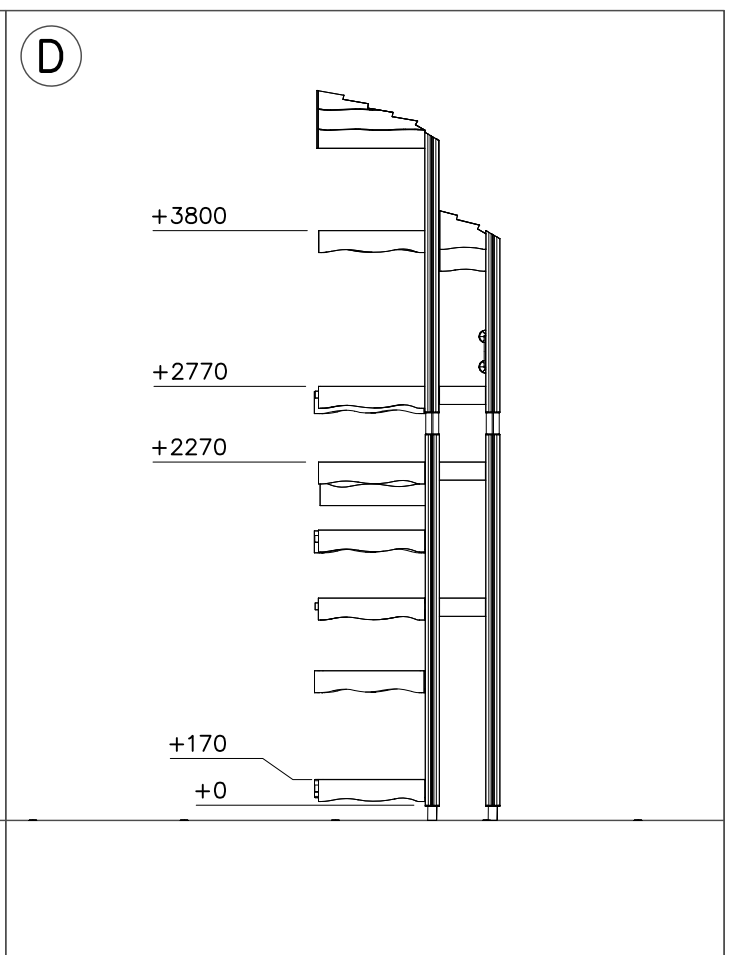
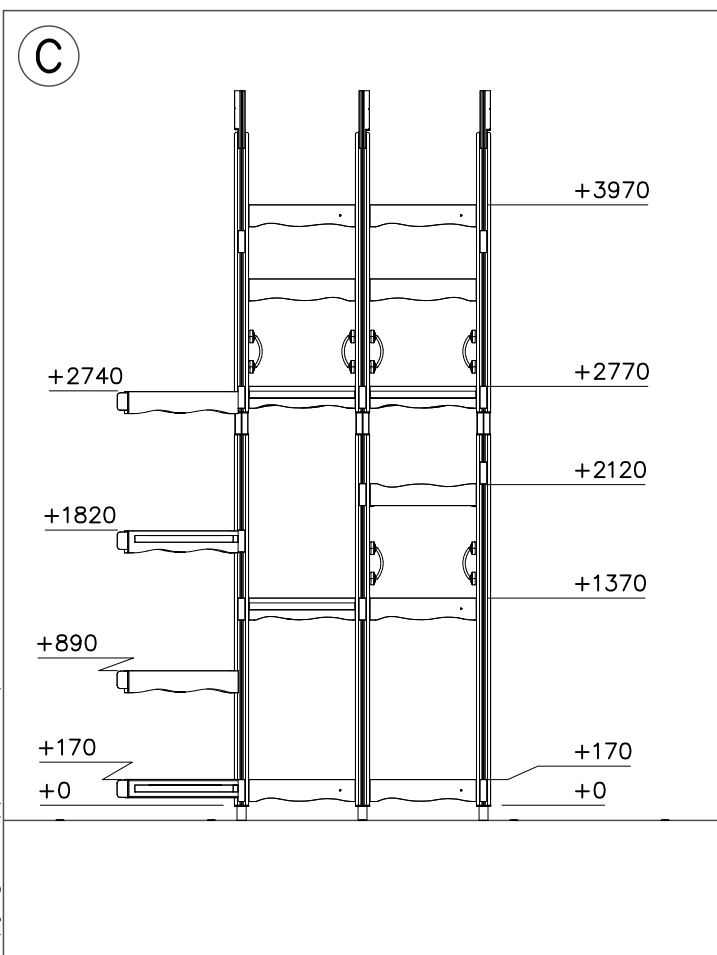
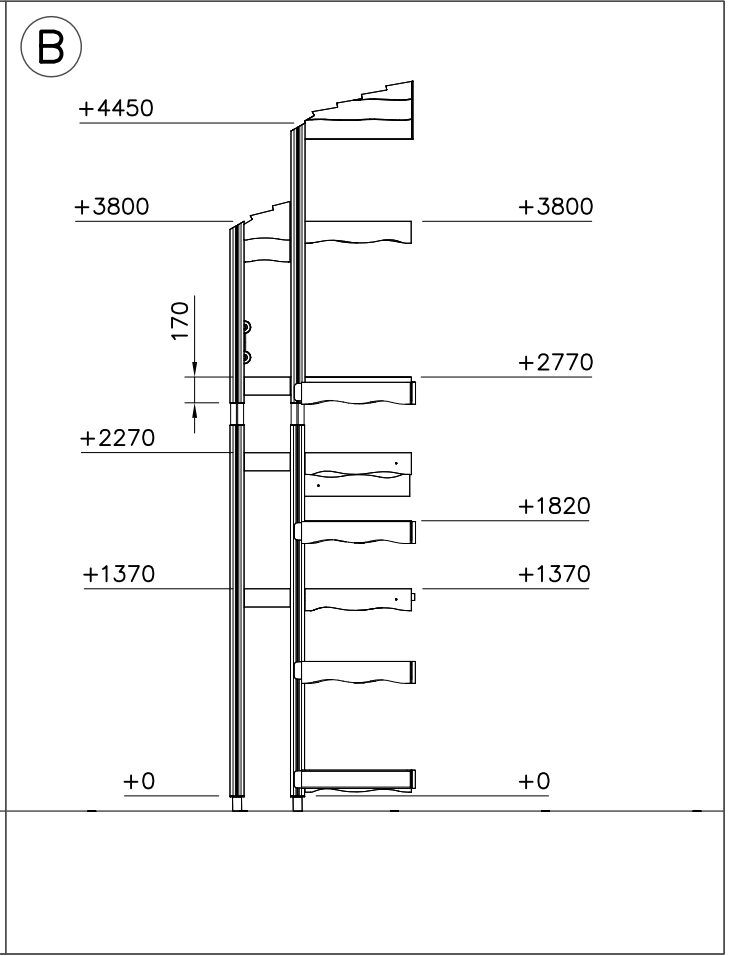
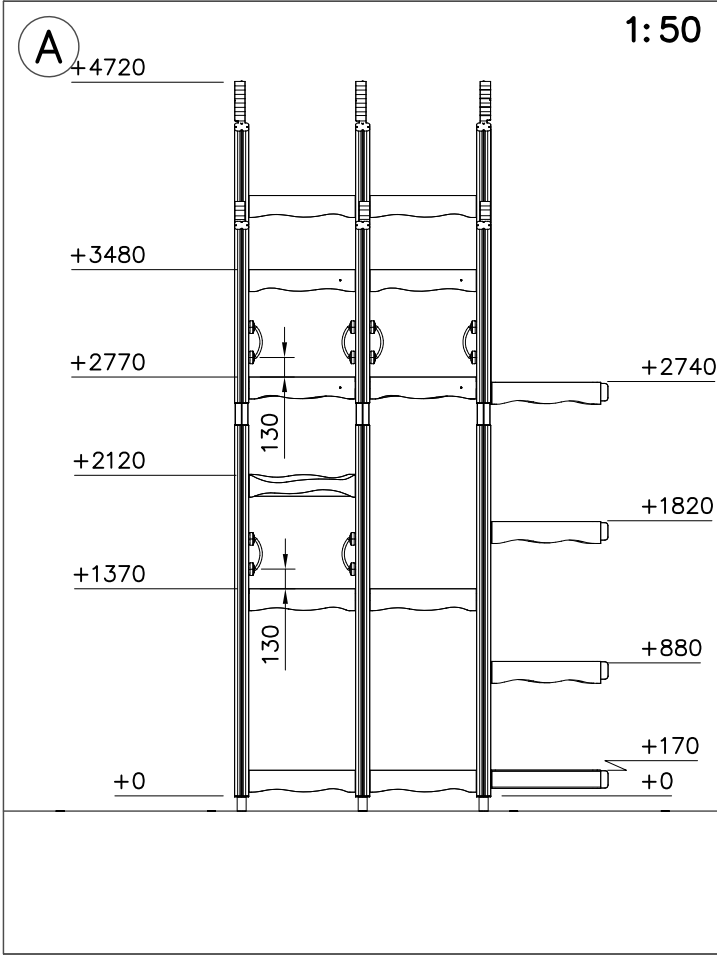


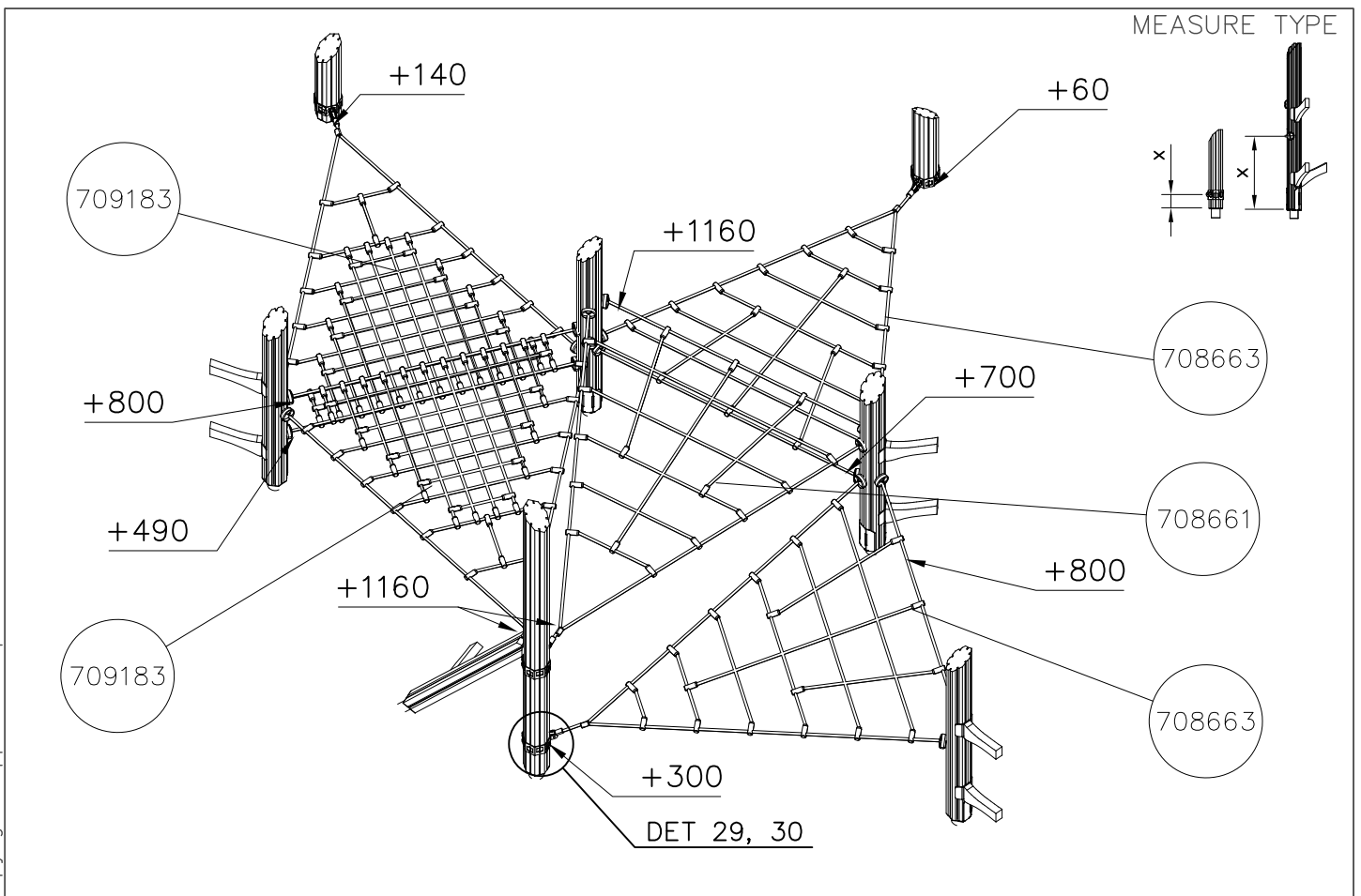
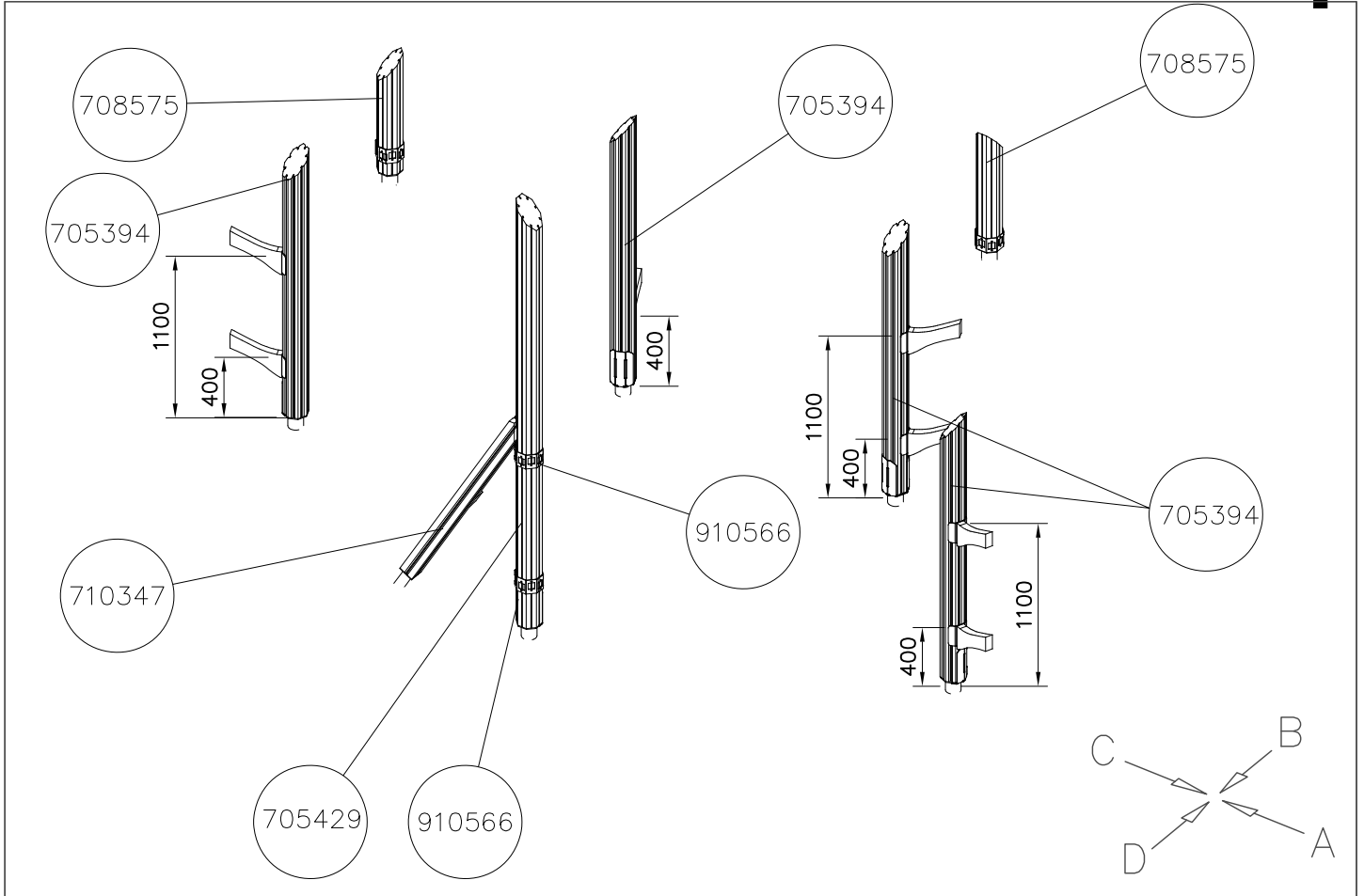






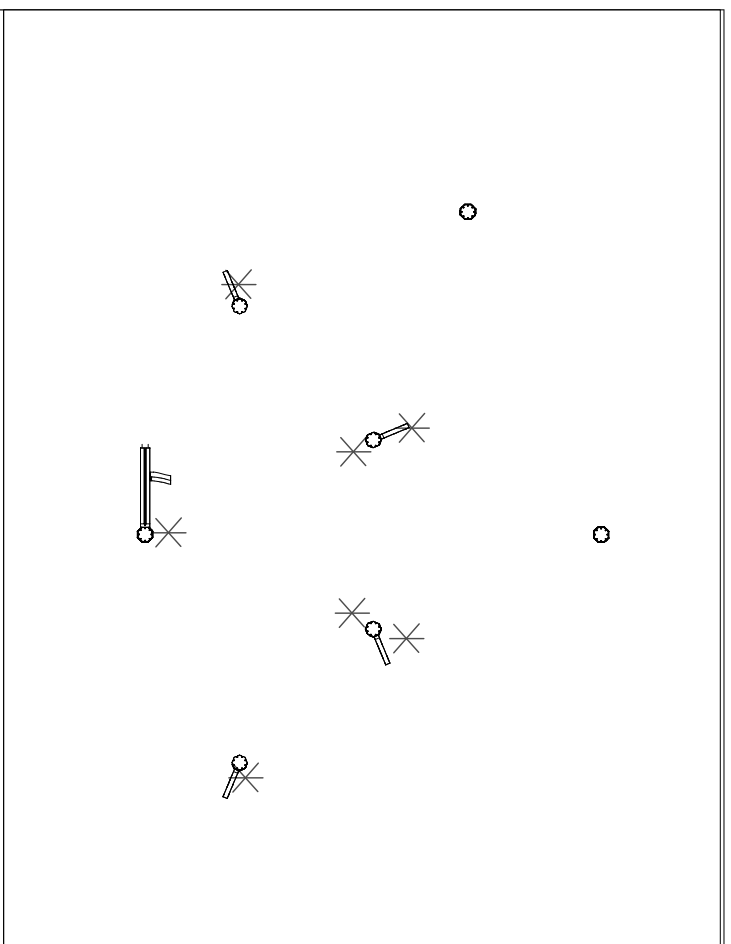
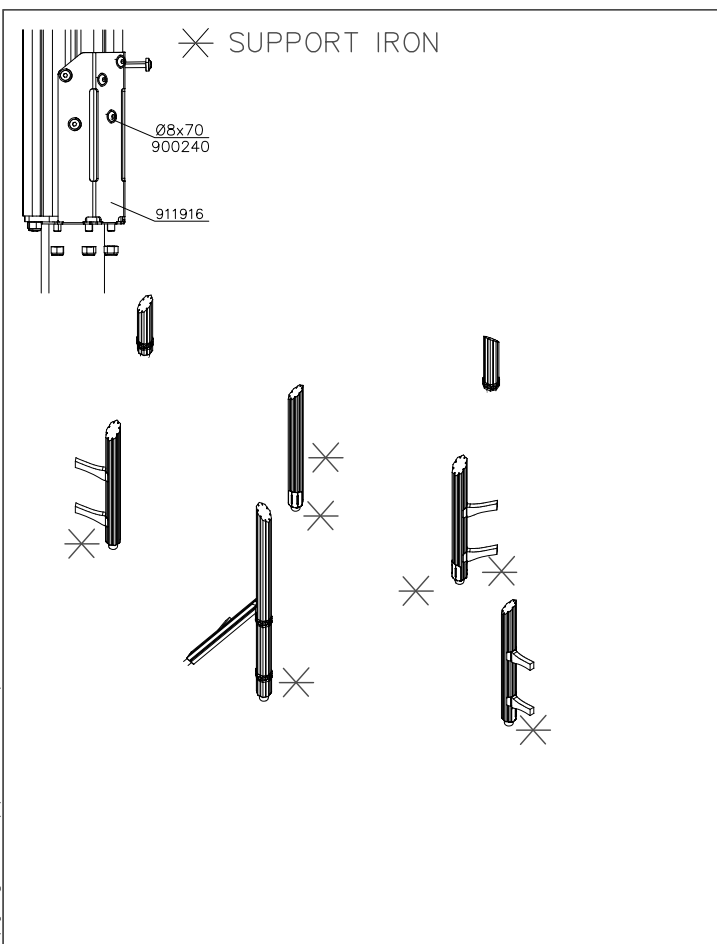
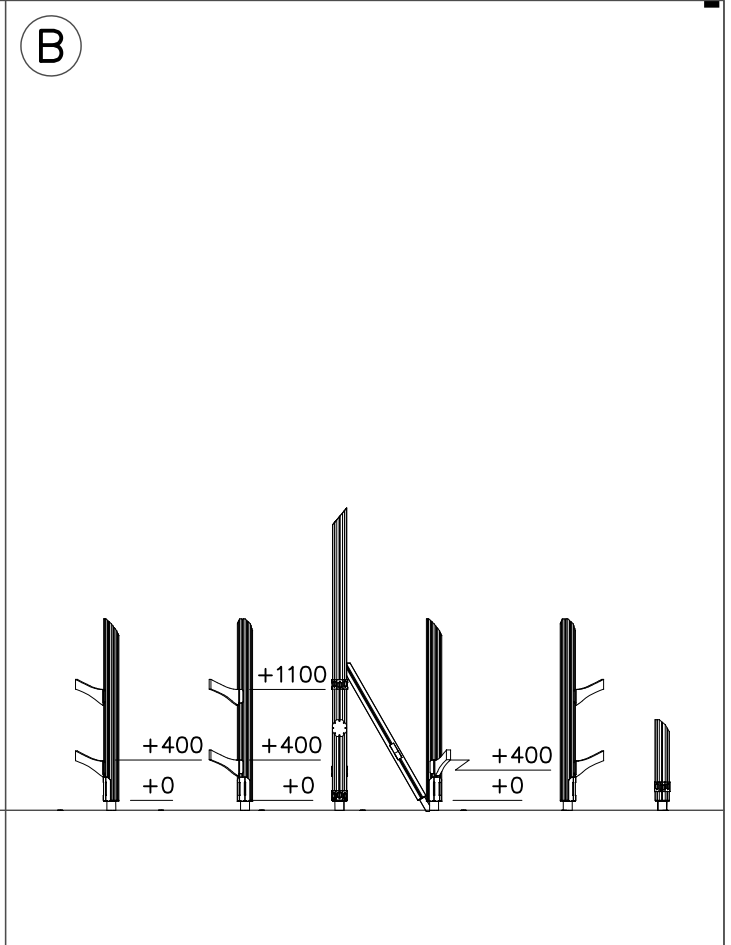
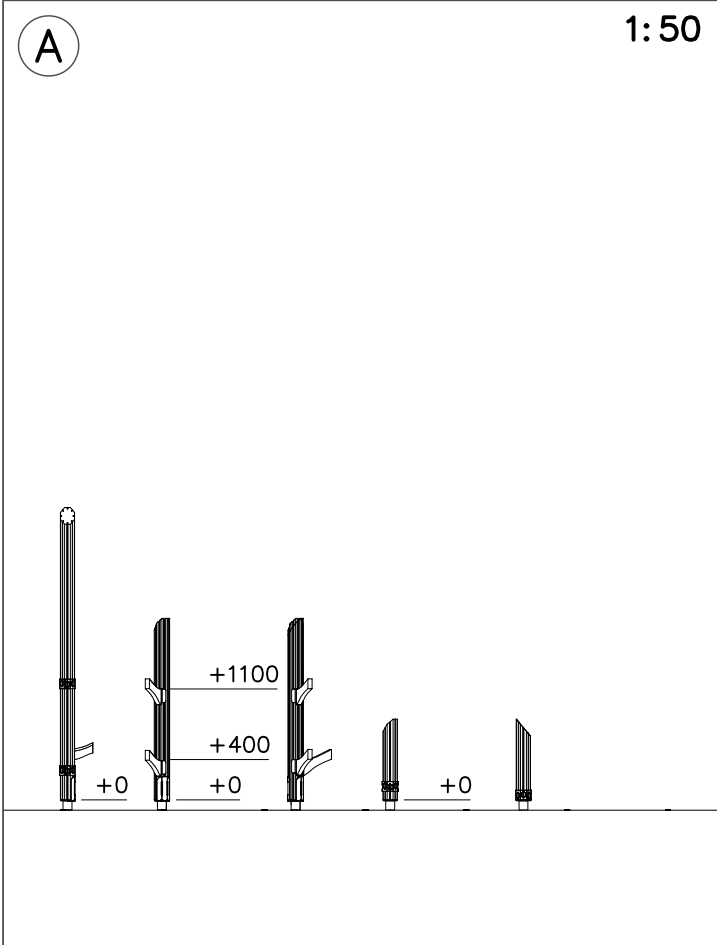


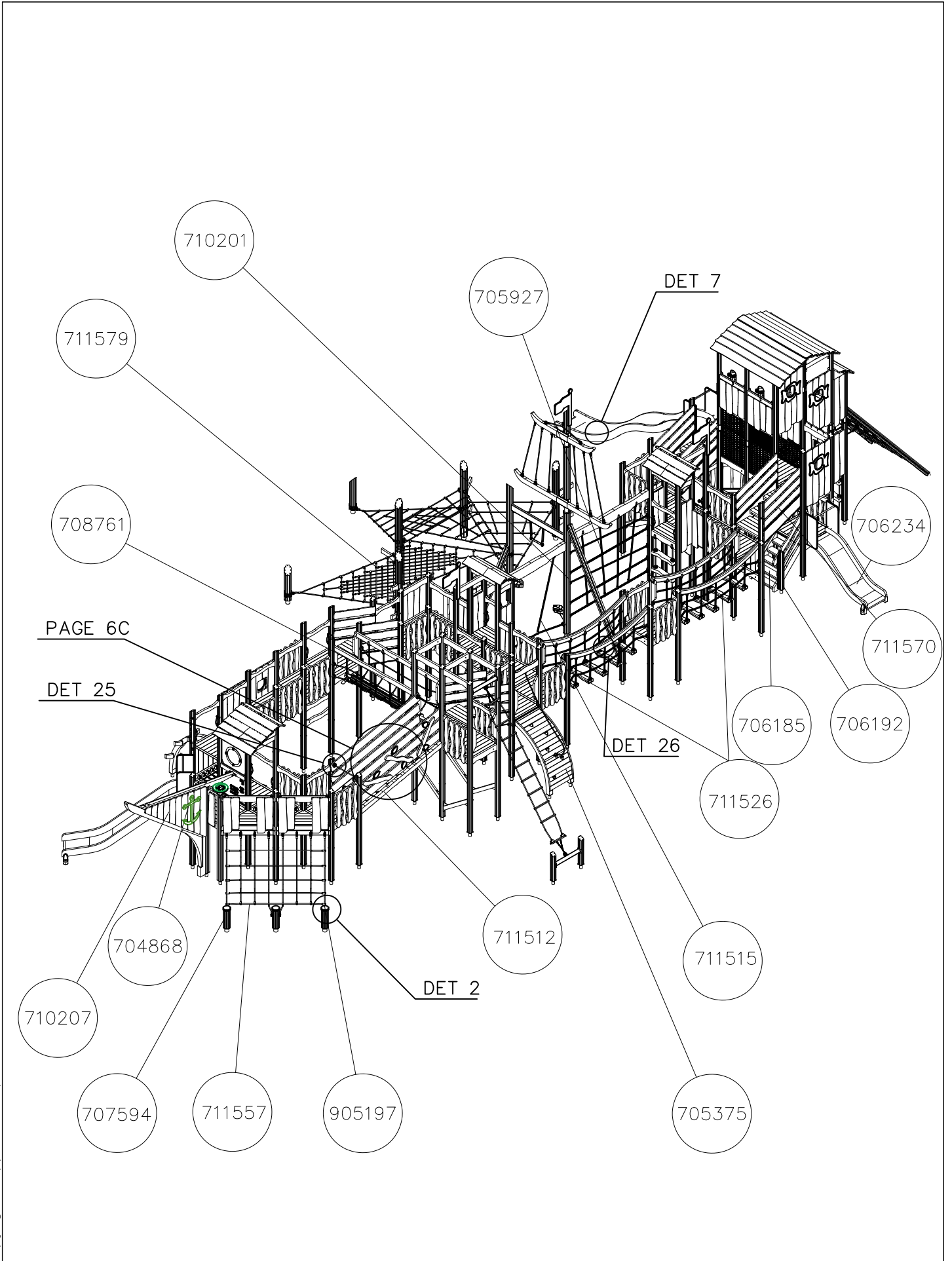


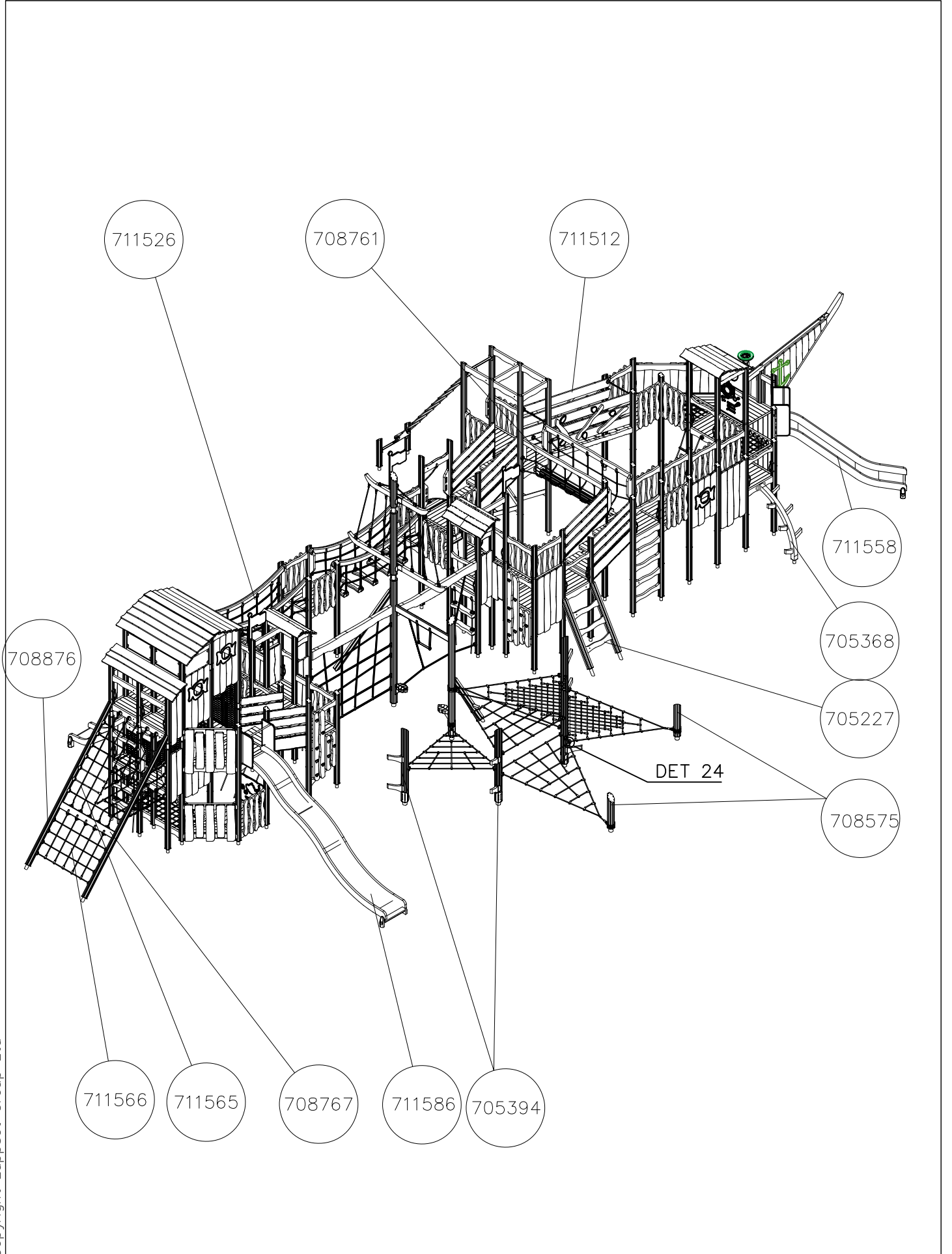


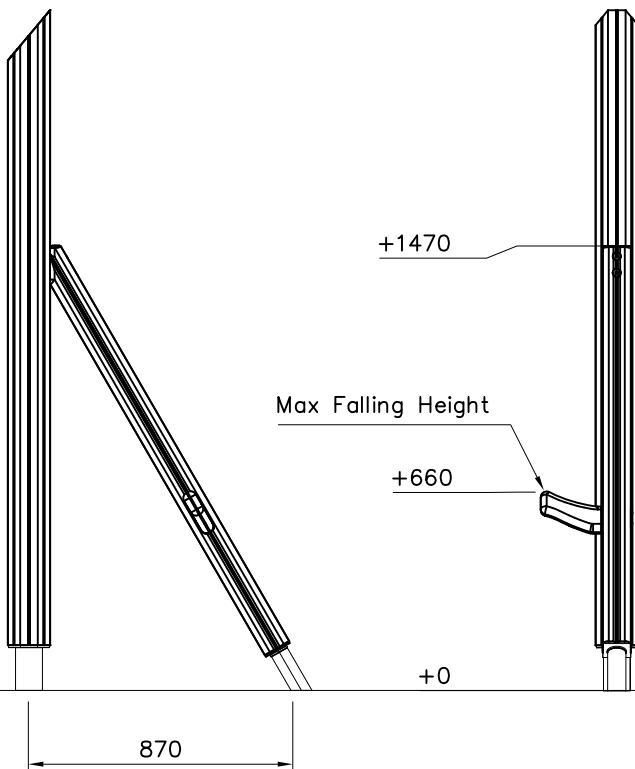
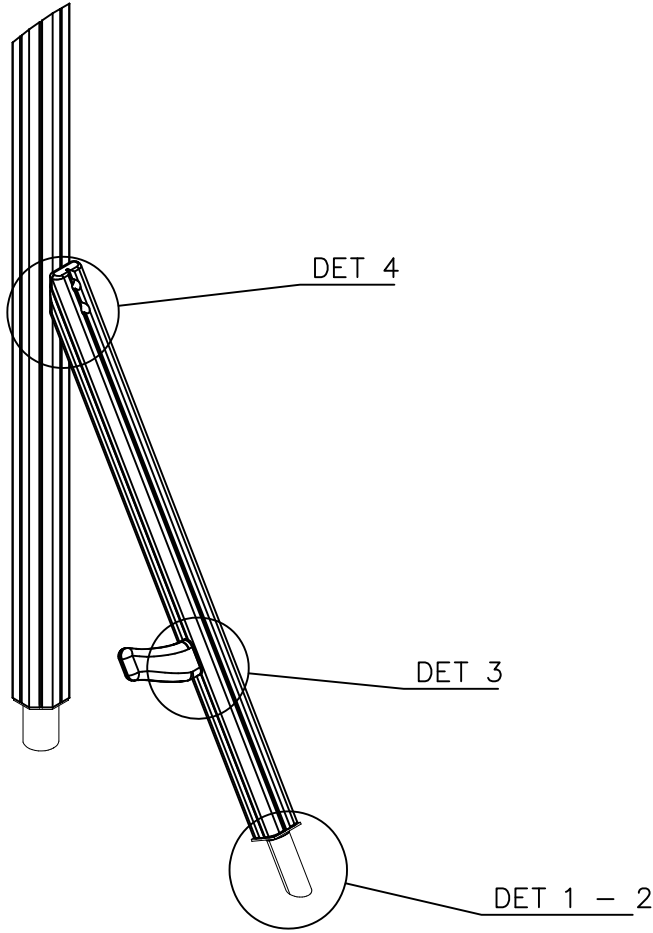
DATE: 11.6.2024

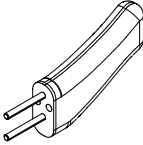

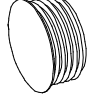
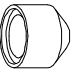
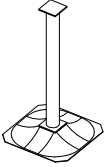


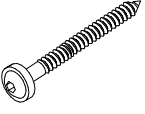
1:50



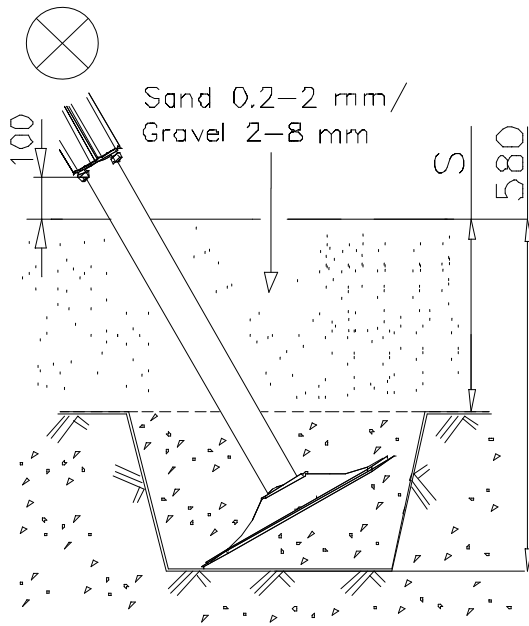




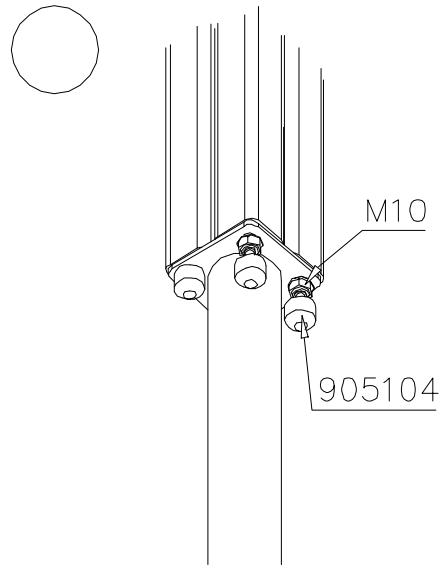


① 705643	PCS	② 710346	PCS
	1		1
l=243		l=1527	
③ 905103	PCS	④ 905104	PCS
	2		4
PT-28/32-H		M10	
⑤ 909521	PCS	⑥ 980161	PCS
	1		2
l=700		M10	
⑦ 980165	PCS	⑧ 903093	PCS
	2		2
Ø26/13x3		Ø8x90	
	PCS		PCS
	PCS		PCS
	PCS		PCS
	PCS		PCS

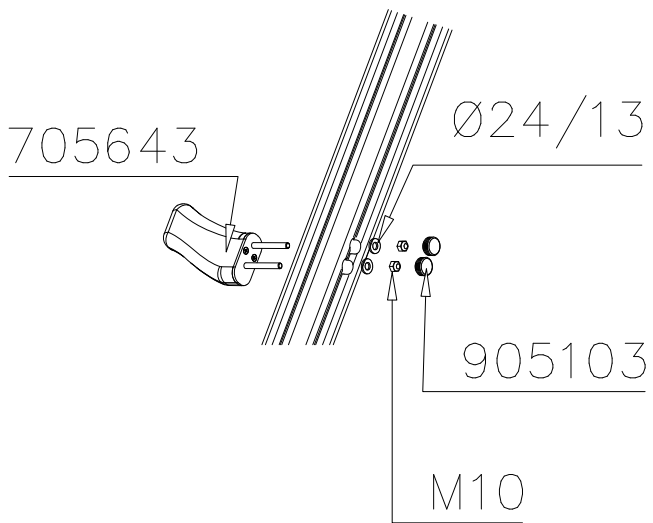
DET 1



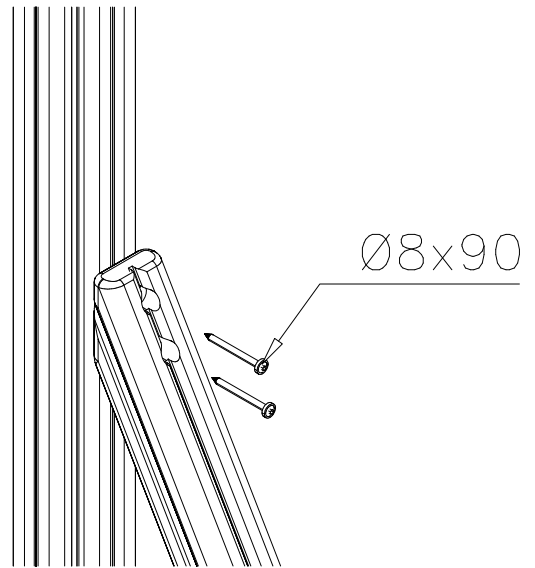
DET 2

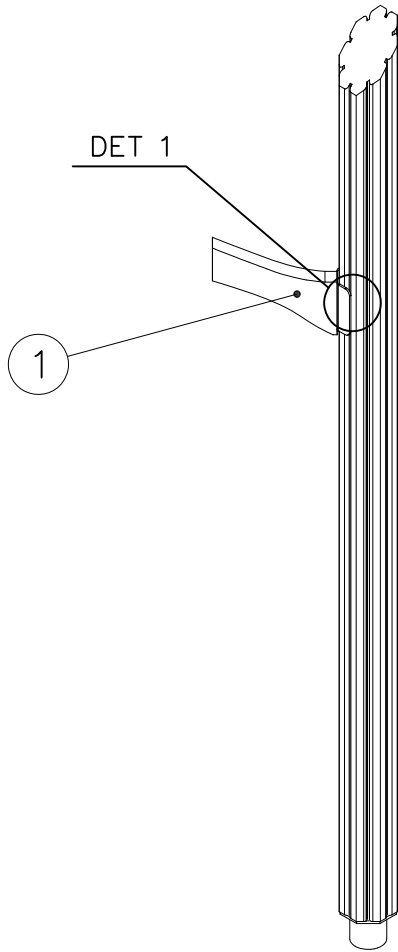


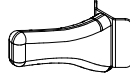
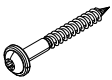
DET 3

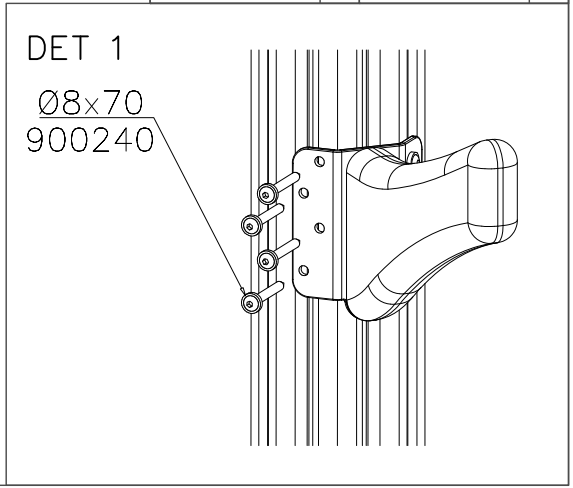


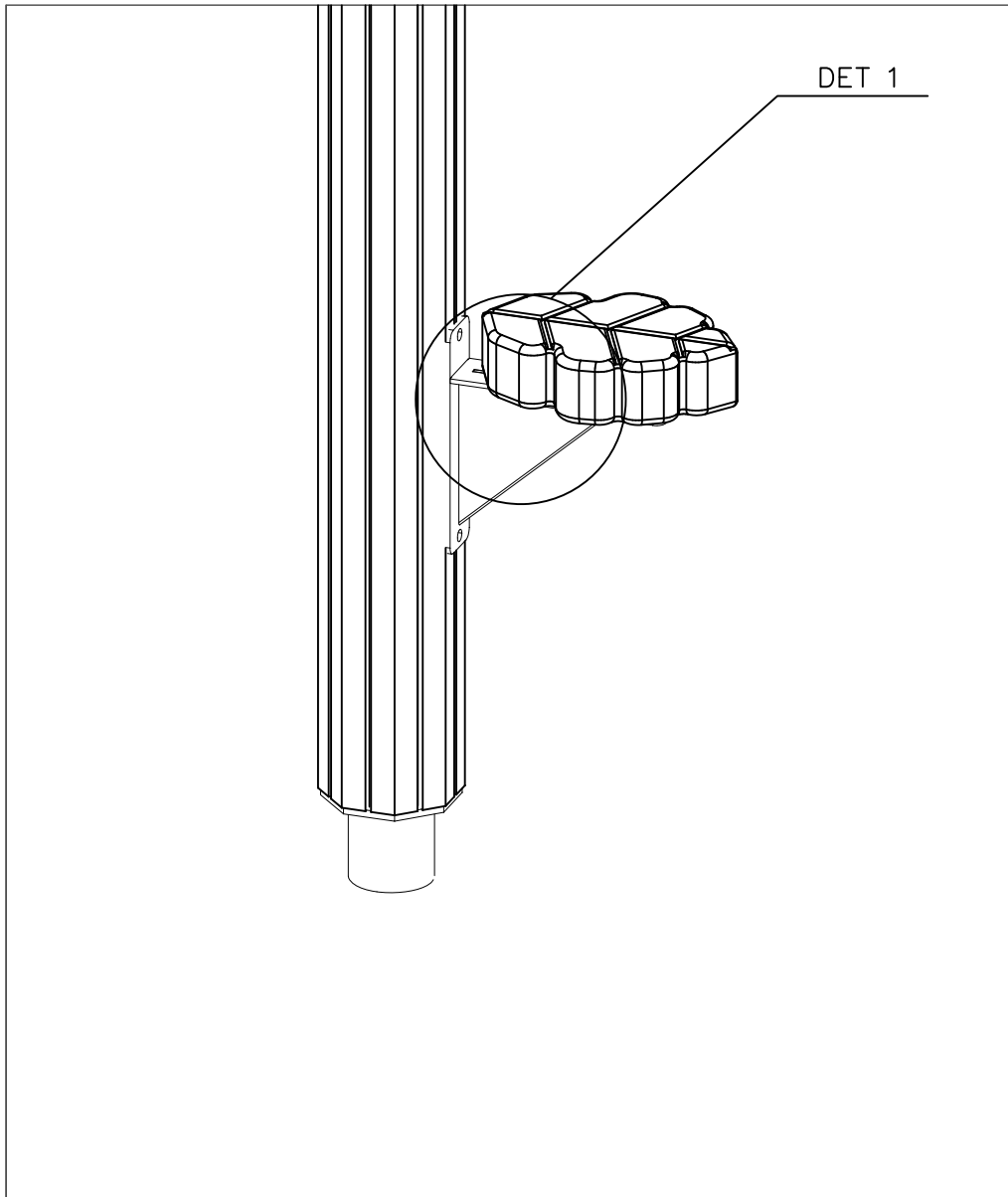
DET 4

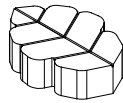
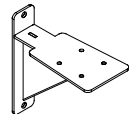






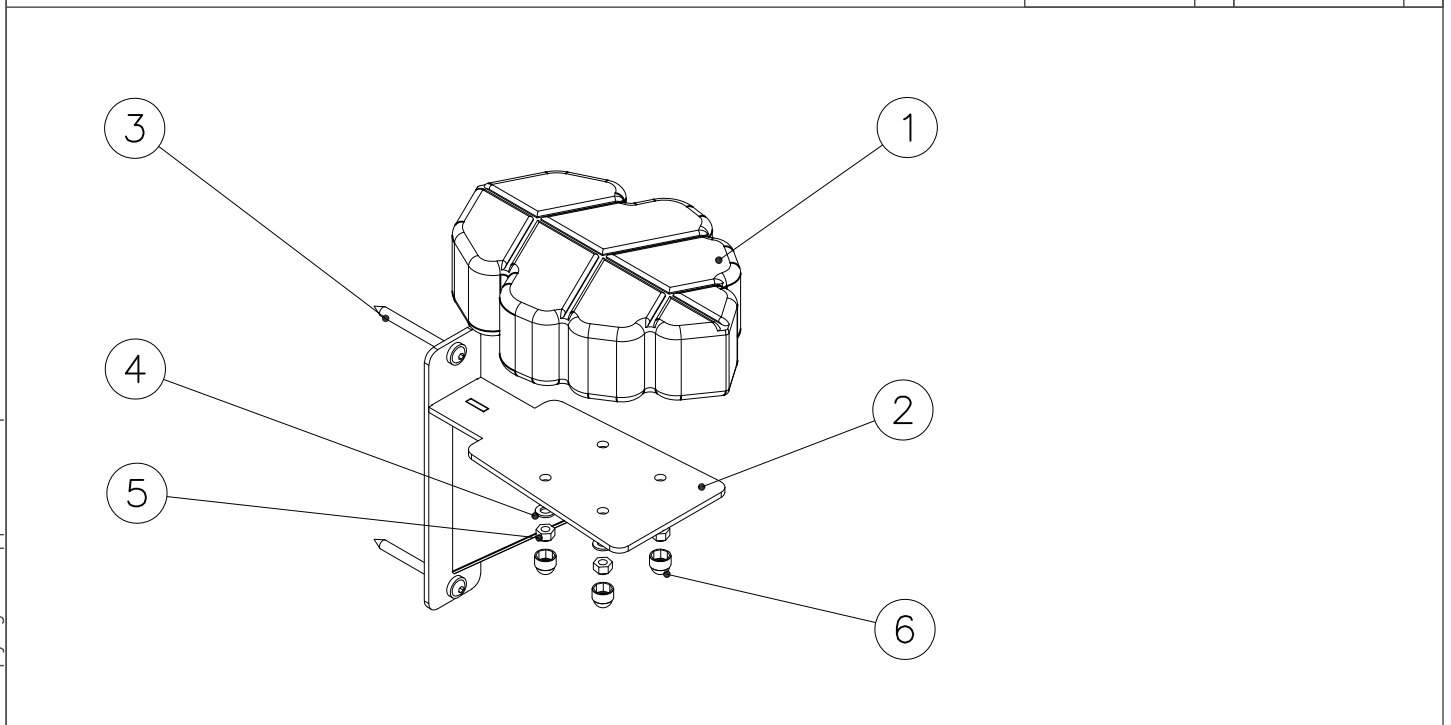


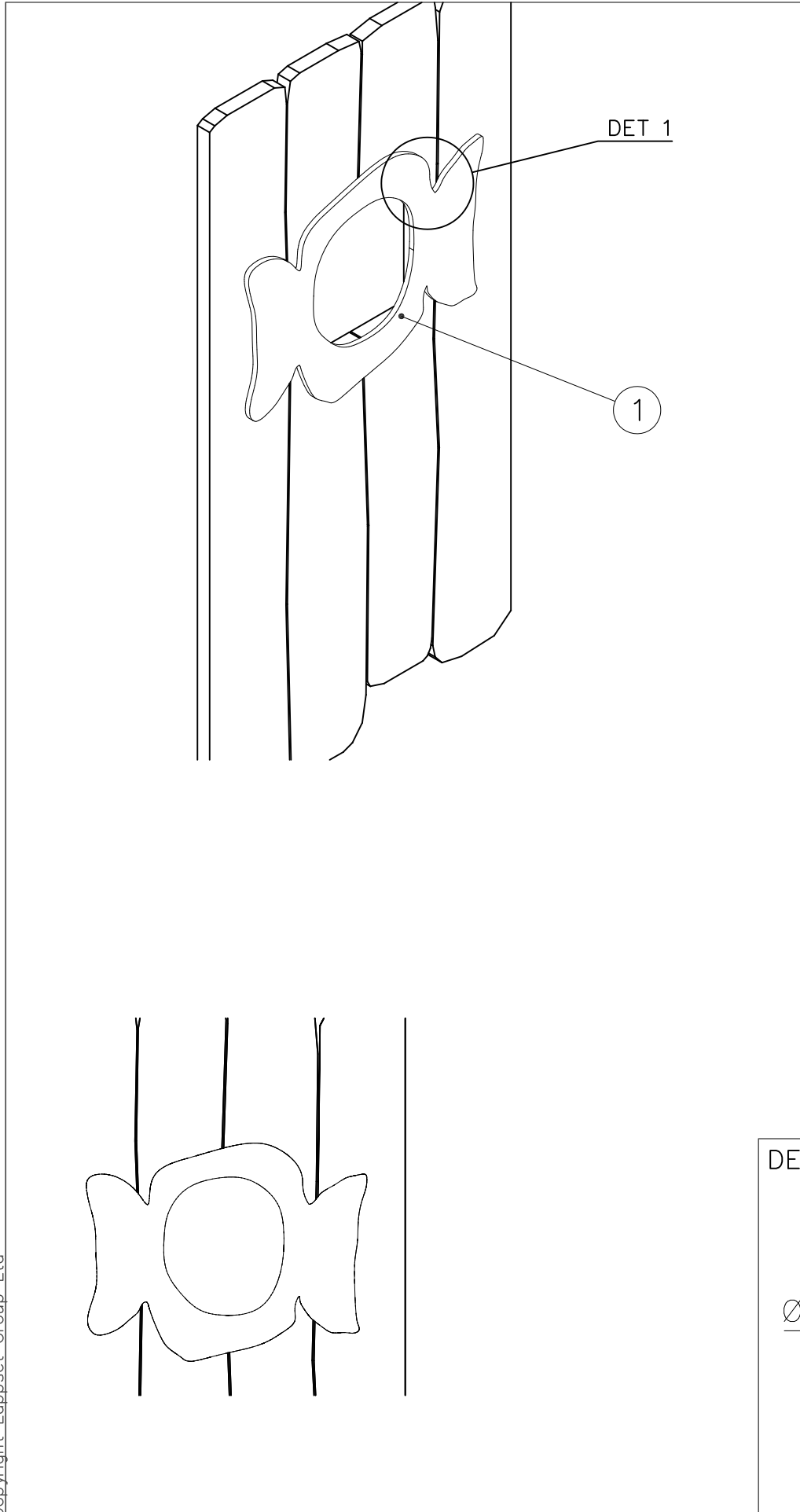
① 705789	PCS	② 900240	PCS
	1		8
45x120x333		Ø8x70	
	PCS		PCS
	PCS		PCS
	PCS		PCS
	PCS		PCS
	PCS		PCS



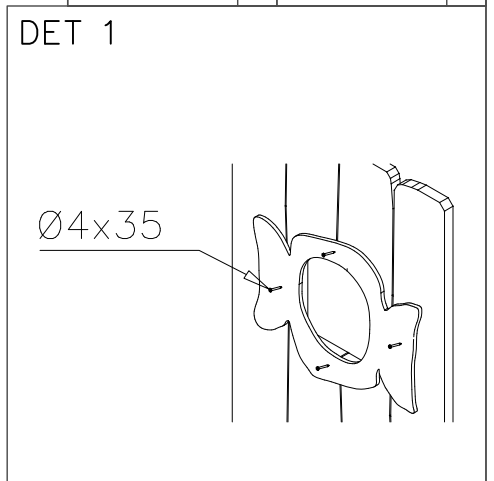


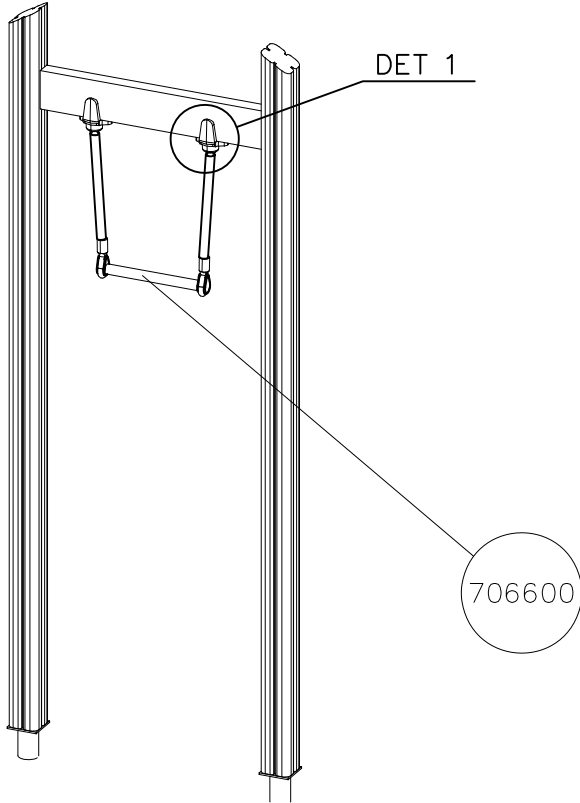
① 708820	PCS	② 911437	PCS
	1		1
③ 903093	PCS	④ 909256	PCS
	2		4
Ø8x90		Ø16/8.4x1.6	
⑤ 980160	PCS	⑥ 902607	PCS
	4		4
M8		M8	
	PCS		PCS
	PCS		PCS



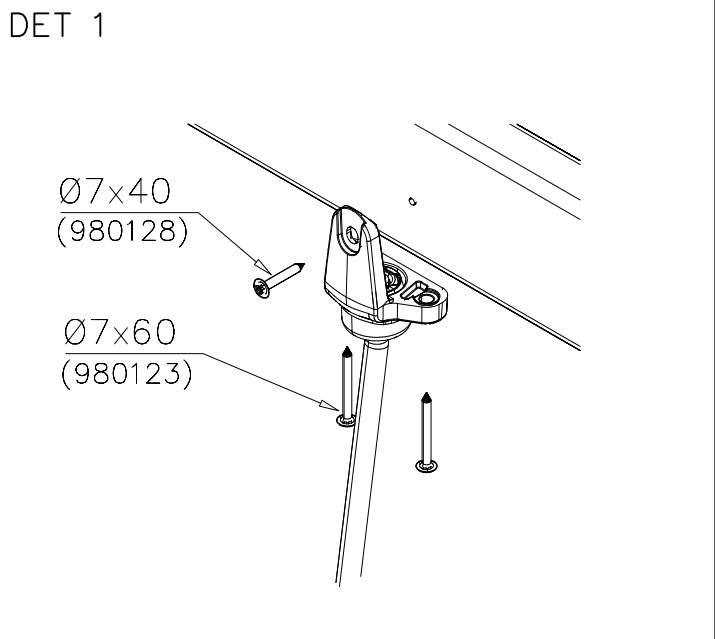
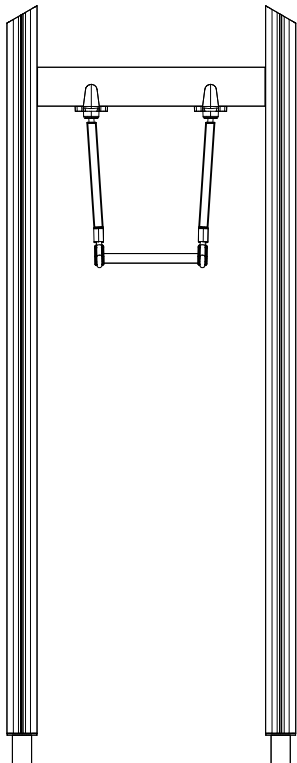


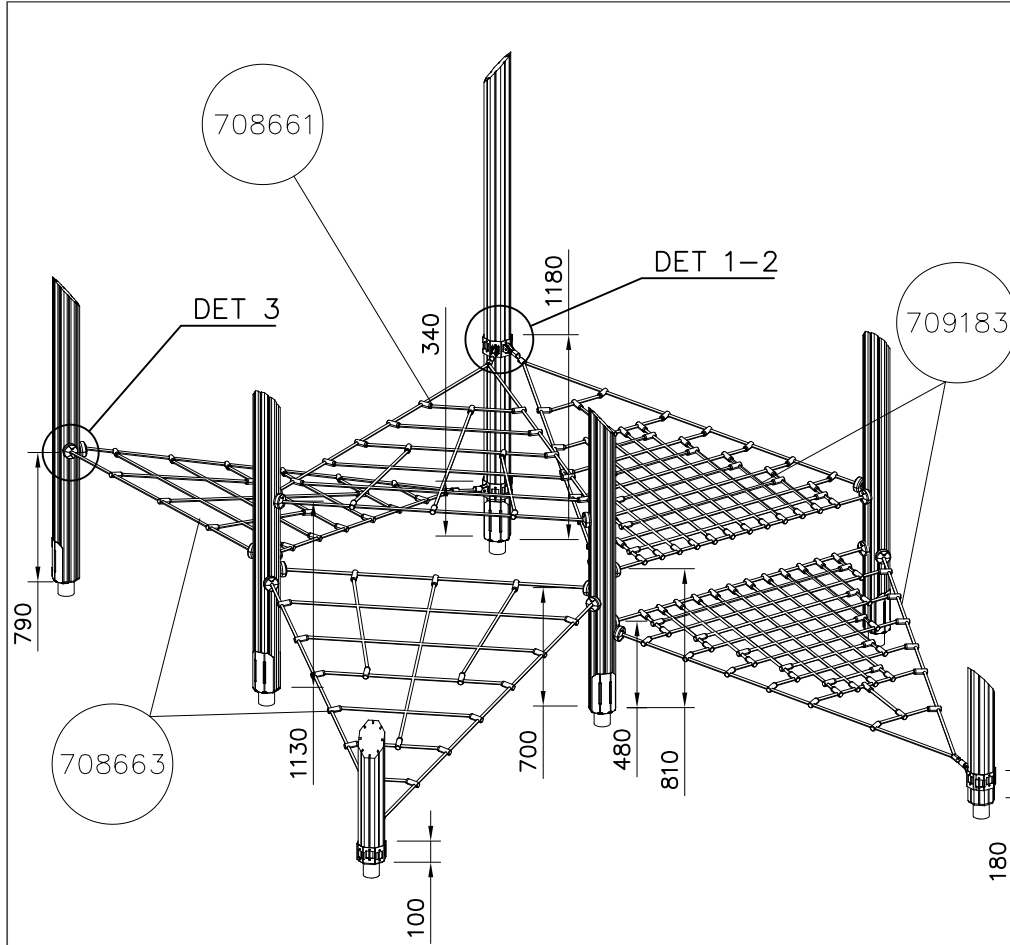
① 708472	PCS	② 980110	PCS
	1		4
		Ø4x35	
	PCS		PCS
	PCS		PCS
	PCS		PCS
	PCS		PCS

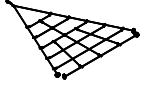
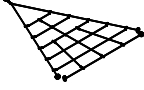
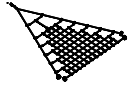
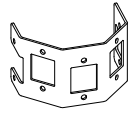



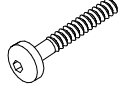




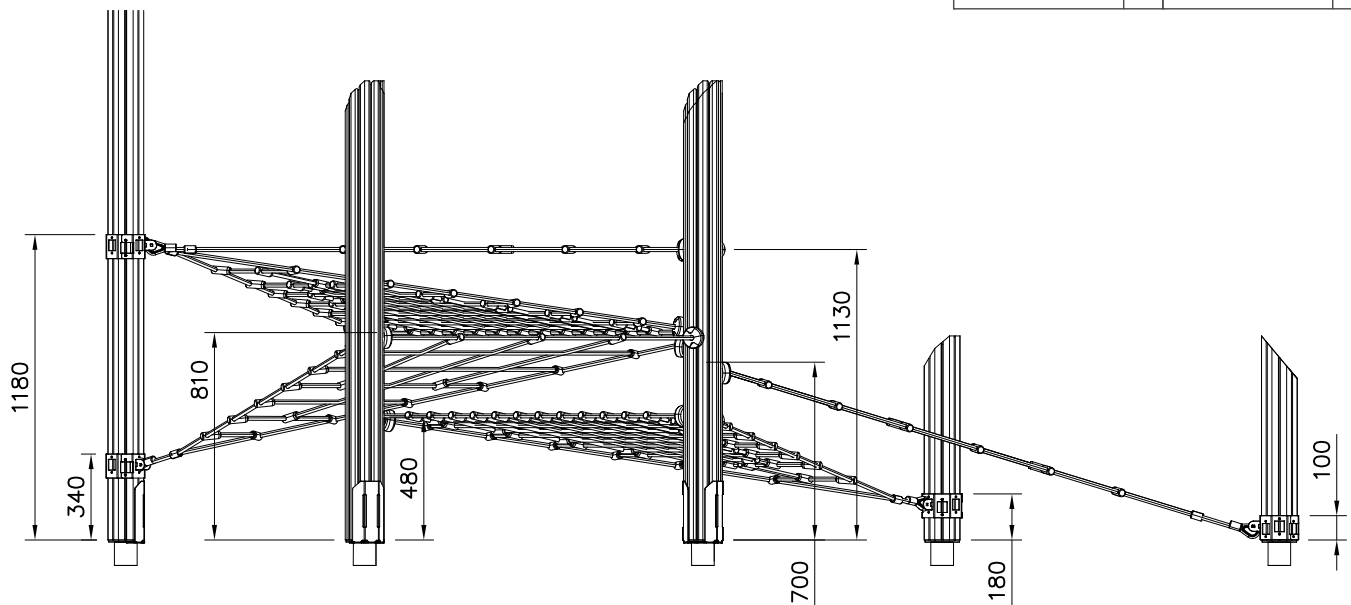


① 706600	PCS	② 980123	PCS
	1		4
		Ø7x60	
	PCS	③ 980128	PCS
			2
		Ø7x40	
	PCS		PCS
	PCS		PCS

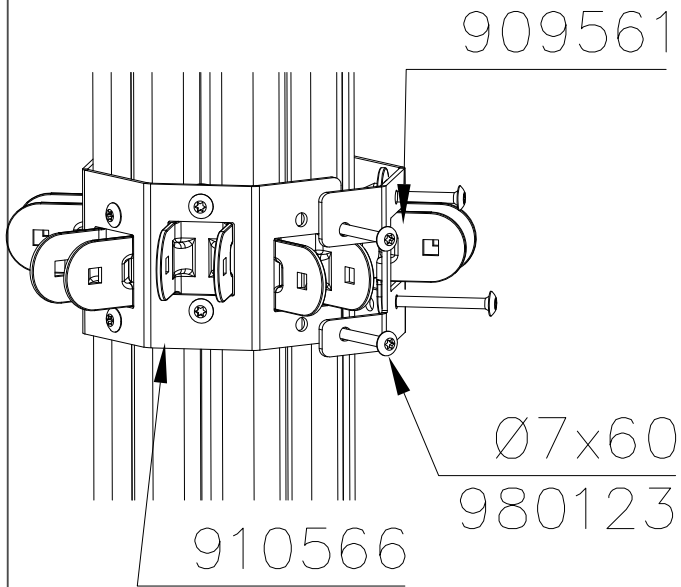




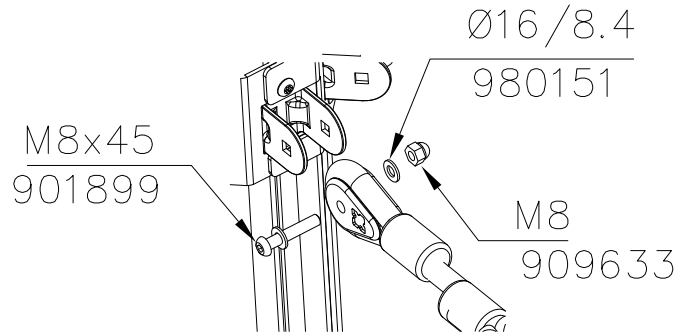
① 708661	PCS	② 708663	PCS
	1		2
③ 709183	PCS	④ 910566	PCS
	2		8
⑤ 909561	PCS	⑥ 909633	PCS
	5		5
		M8	
⑦ 909256	PCS	⑧ 901899	PCS
	74		5
Ø16/8.4		M8x45	
⑨ 980123	PCS	⑩ 903093	PCS
	64		40
Ø7x60		Ø8x90	



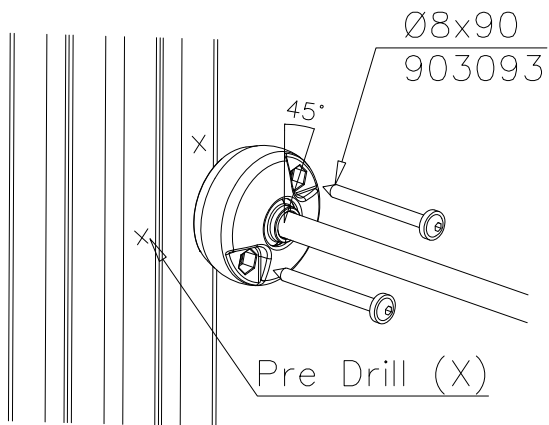
DET 1



DET 2



DET 3



**Tuotekyltti tulee tuotteen mukana yhdellä seuraavista tavoista:****1) Metallinen tuotekyltti ja kiinnitysruuvit**

- Kiinnitä tuotekyltti ruuveilla tolppaan noin 2 metrin korkeuteen kuvan 1 mukaisesti.

2) Tuotekylttitarra

- Puhdista maalattu metalli- tai vaneripinta pölystä ja kosteudesta. Liimaa tarra kuvan 2 mukaisesti.
- Huom. Älä kiinnitä tarraa karheapintaiseen laminaattiin tai maalattuun puuhun.

Vår produktmärkning levereras på ett av följande sätt:**1) Produktskylt i metall**

- Fäst skylten med de medföljande skruvarna

2) Självhäftande produktetikett

- Rengör den pulverlackerade metallytan eller laminatyten så att den blir fri från smuts och fukt. Fäst etiketten enligt fig. 2.
- Obs! Fäst ej etiketten på detaljer med skrovlig yta eller på målat trä.

Product label is delivered by one of following ways:**1) Metal product label and screws**

- Fasten the label with screws.

2) Label sticker

- Clean the painted metal or plywood surface from dirt and moisture. Fasten the sticker as shown in the figure 2.
- Note. Do not attach the sticker to rough surfaced laminate or painted wood.

La plaque d'informations produit est livrée sous l'une de ces 3 formes :**1) Plaque métallique et vis**

- Fixez la plaque à l'aide des vis.

2) Etiquette autocollante

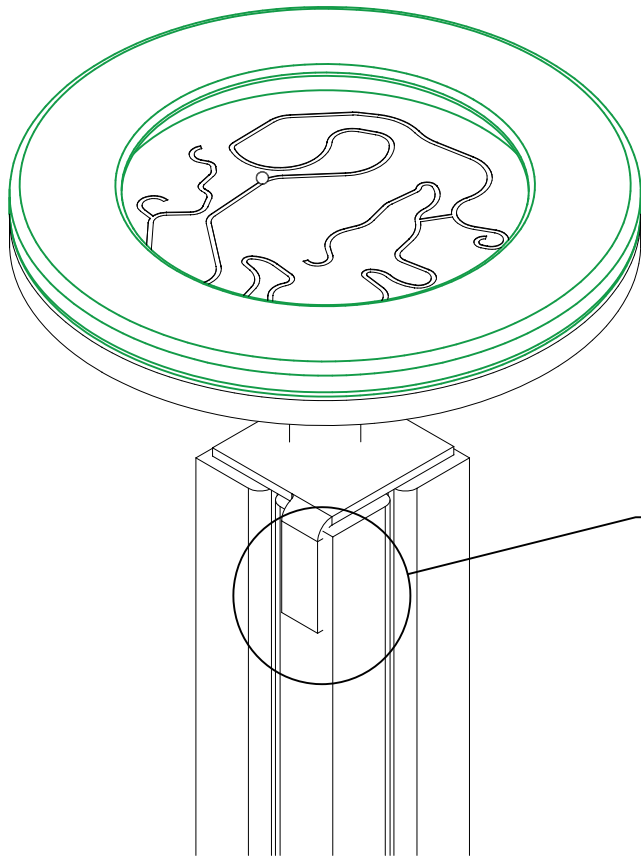
- Avant de coller l'étiquette, nettoyez le composant métallique peint ou la plaque de contreplaqué, de toute saleté. La surface doit être sèche (voir image 2).
- Attention, ne pas coller l'étiquette sur une surface lamellé-collée irrégulière ou sur du bois peint.

Die Auslieferung des Produktaufklebers erfolgt auf eine dieser Arten:**1) Produkt-Schild aus Metall incl. Schrauben**

- Die Befestigung des Schildes erfolgt mittels der Schrauben.

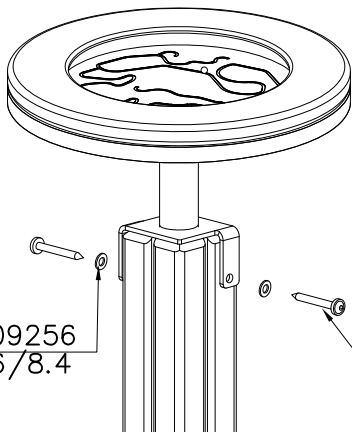
2) Aufkleber

- Entfernen Sie zunächst Schmutz und Feuchtigkeit vom lackierten Metall bzw. von der Holzoberfläche und bringen Sie den Aufkleber wie im Bild oben rechts beschrieben auf den gesäuberten Untergrund auf.
- Beachten Sie: Bringen Sie den Aufkleber nicht auf raues laminiertes oder lackiertes Holz an.



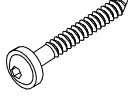
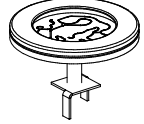

DET1

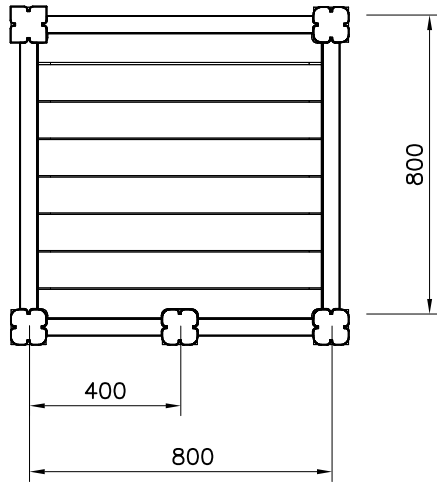
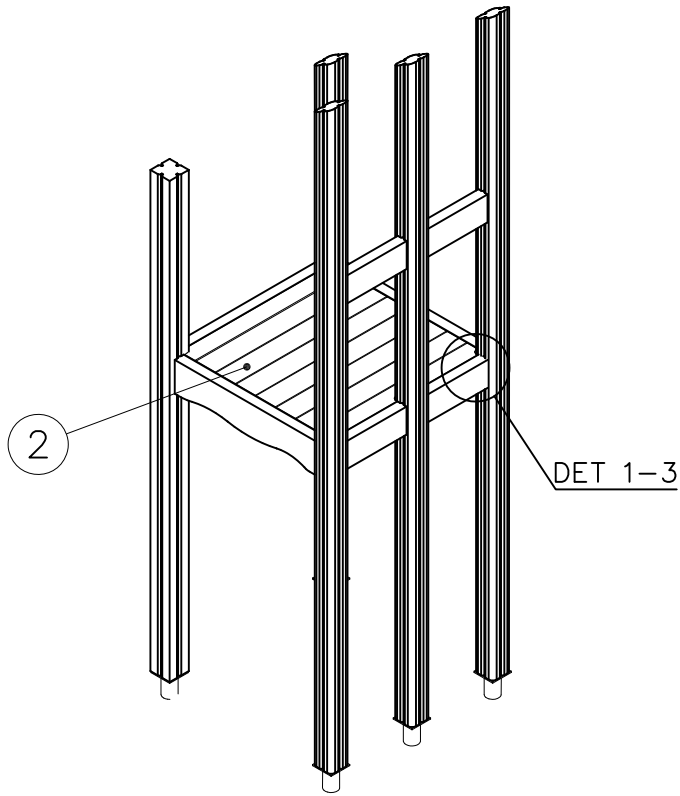
DET 1

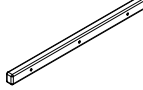

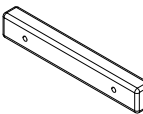

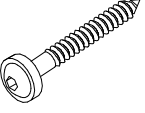


909256
Ø16/8.4

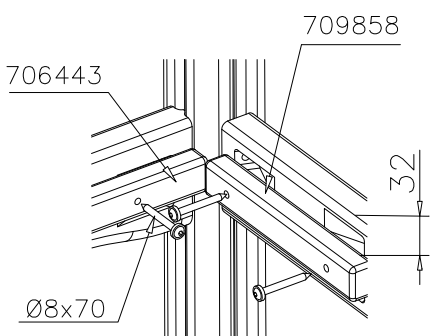
900240
Ø8x70

① 900240	PCS	② 707305	PCS
	2		1
Ø8x70			
	PCS	③ 909256	PCS
			2
		Ø16/8.4	
	PCS		PCS
	PCS		PCS
	PCS		PCS
	PCS		PCS
	PCS		PCS
	PCS		PCS

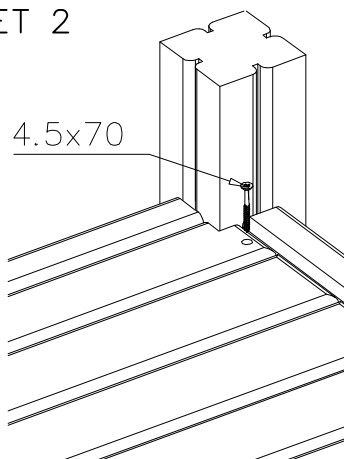


① 706443	PCS	② 710455	PCS
	2		1
32x45x702		32x750x750	
③ 709858	PCS	④ 980101	PCS
	2		10
32x45x290		Ø4.5x70	
	PCS	⑤ 900240	PCS
			10
		Ø8x70	
	PCS		PCS

DET 1



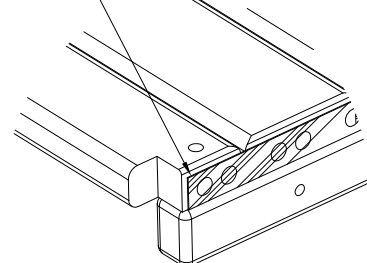
DET 2

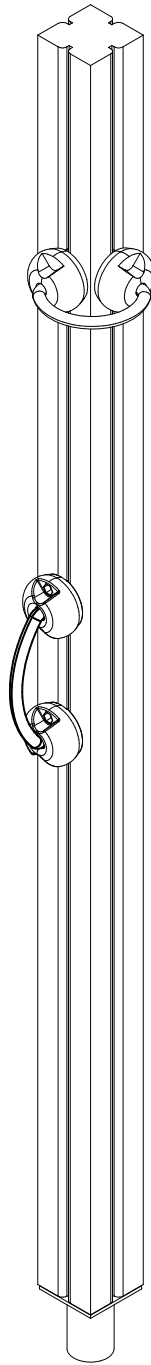



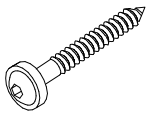
DET 3

Naulanauha pitkän kannatinlistan puolelle.

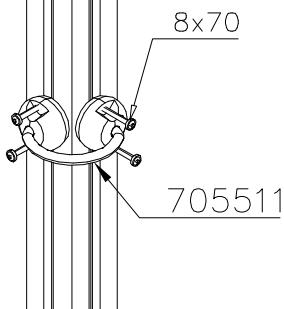
Nail list to the 706443 strip side



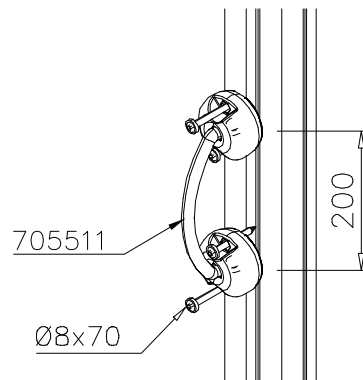


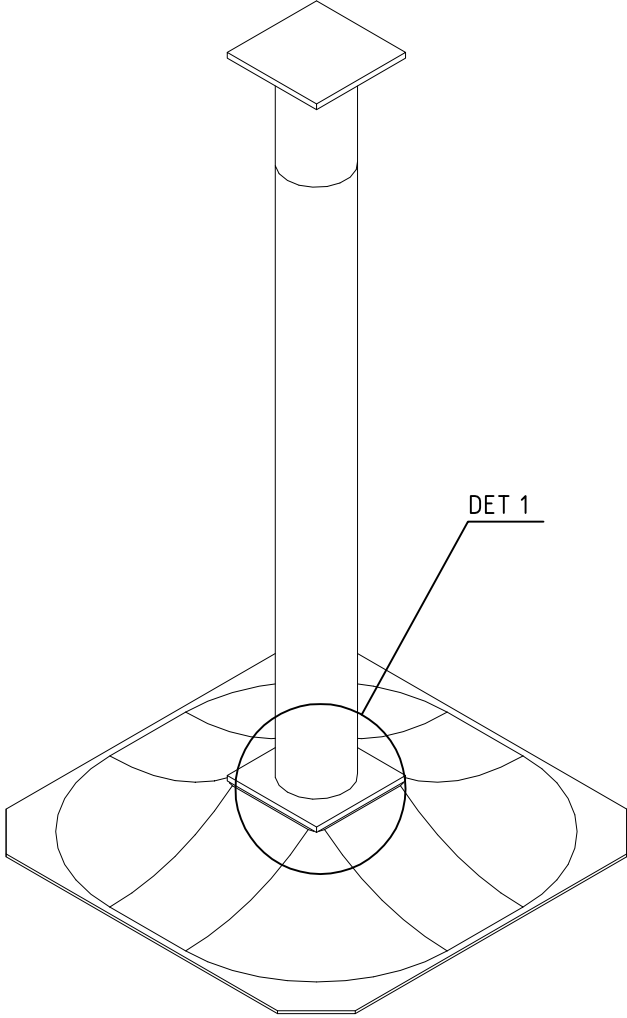
① 705510	PCS	② 900240	PCS
	1		4
		Ø8x70	
	PCS		PCS
	PCS		PCS
	PCS		PCS
	PCS		PCS
	PCS		PCS
	PCS		PCS
	PCS		PCS


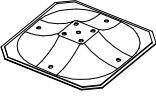


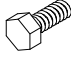
DET 1



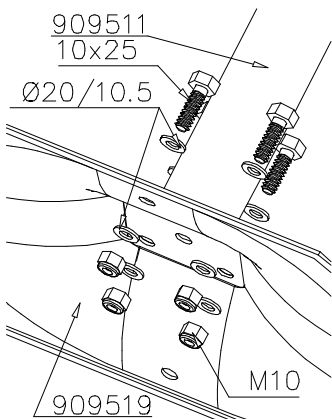
DET 2





①	909511	PCS	②	909519	PCS
		1			1
③	909637	PCS	④	909638	PCS
		4			8
	M10			Ø20/10.5	
⑤	909639	PCS			PCS
		4			
	M10x25				
		PCS			PCS
		PCS			PCS
		PCS			PCS
		PCS			PCS
		PCS			PCS

DET 1

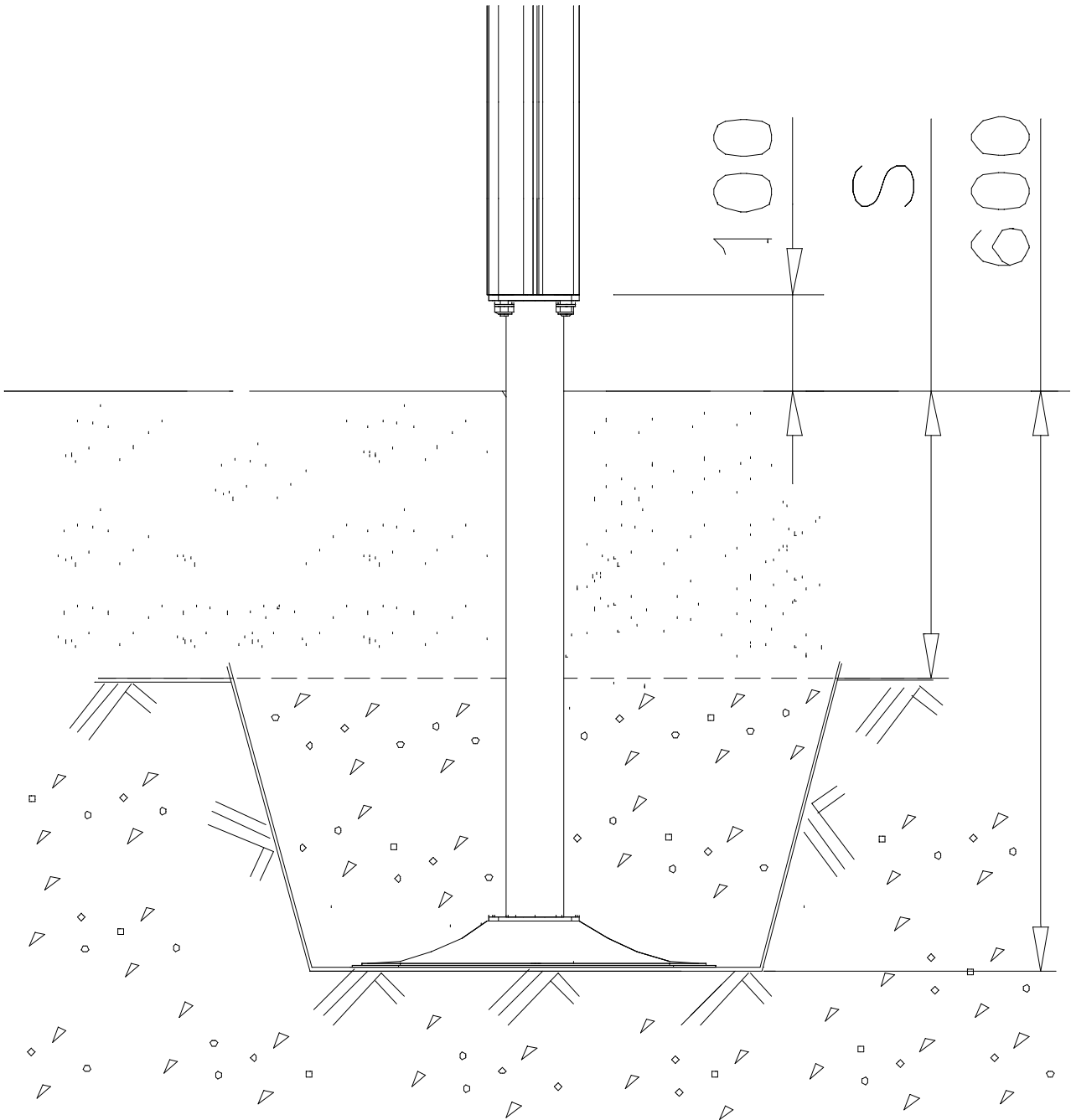
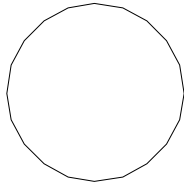


LAPPSET®
DEEP FOUNDATION

FOOT

DATE: 13.3.2014

4A

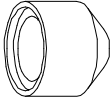


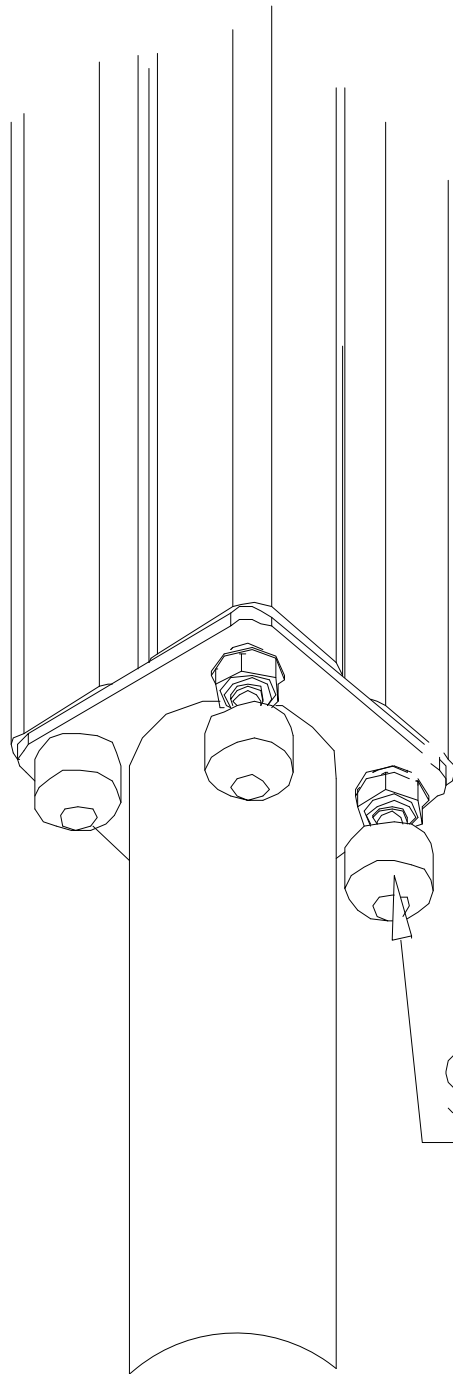
LAPPSET® BETON FOUNDATION

FOOT

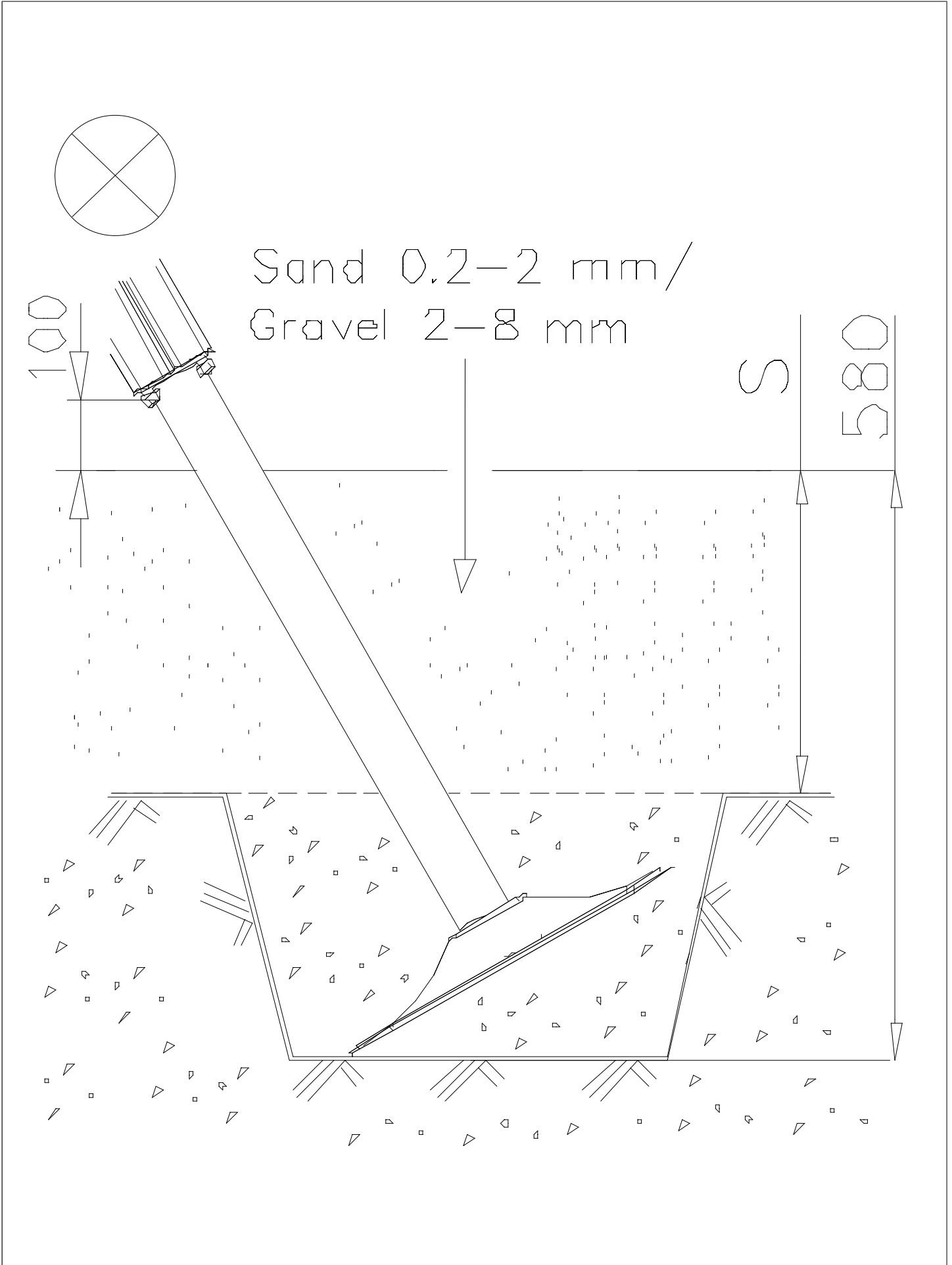
DATE: 27.10.2015

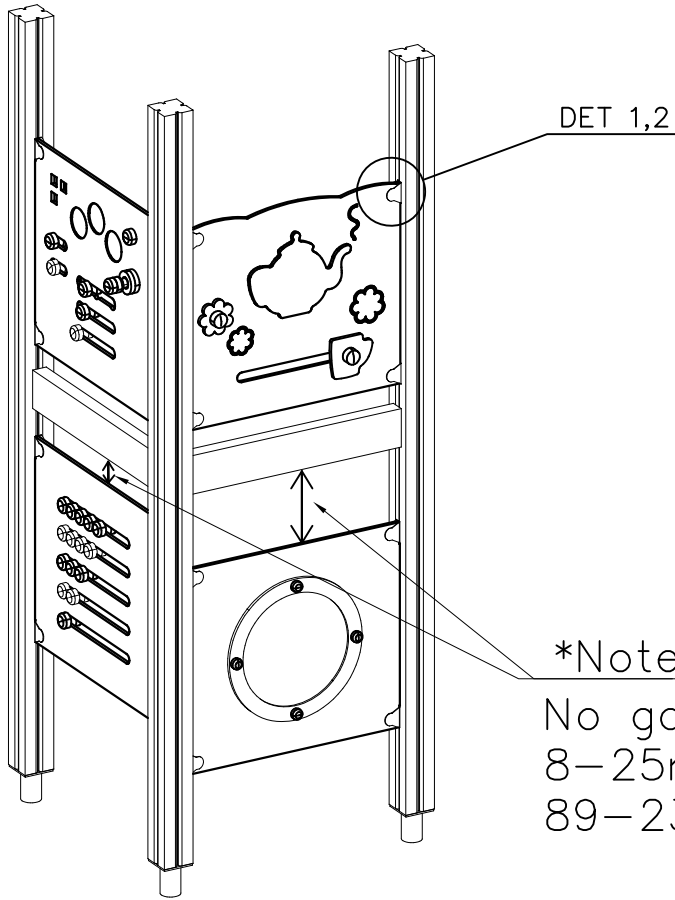
1(1)

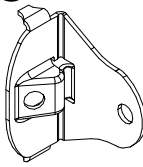
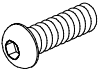

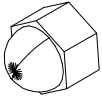
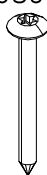
② 905104	PCS		PCS
	4		
 M10	PCS		PCS



905104





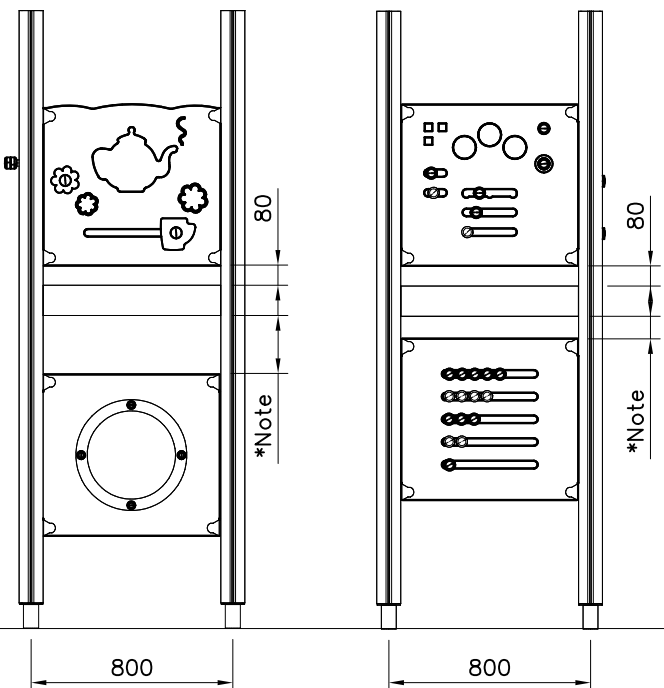
① 903176	PCS	② 909850	PCS
	4		4
		M8x25	
③ 909256	PCS	④ 909633	PCS
	8		4
Ø16/8.4x1.6		M8	
⑤ 980123	PCS		PCS
	4		
Ø7x60			

*Note:

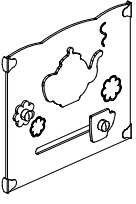
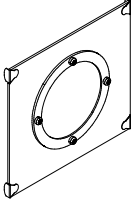
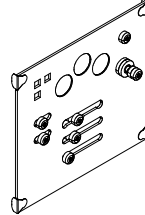
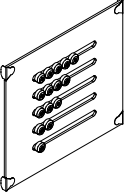
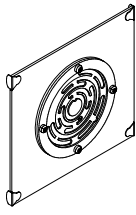
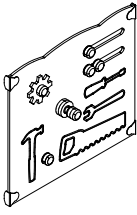
No gaps between:
8–25mm
89–230mm

COLOR OPTIONS

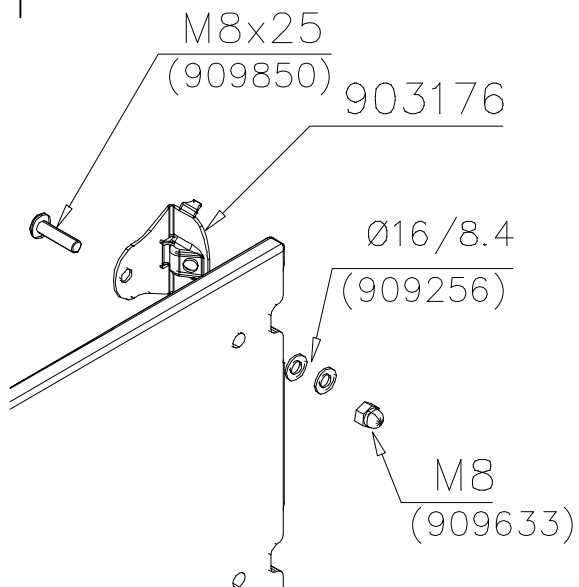
–707 GREEN



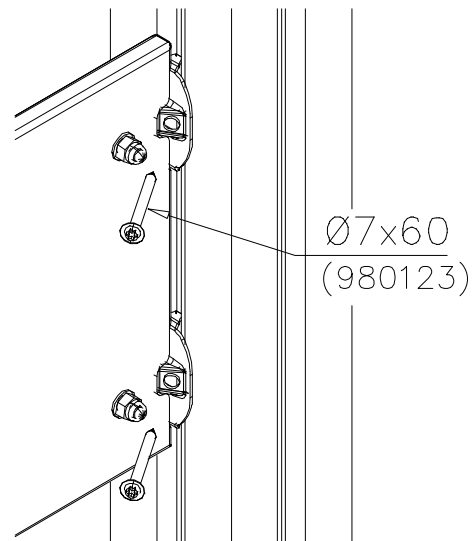
GAME WALL OPTIONS

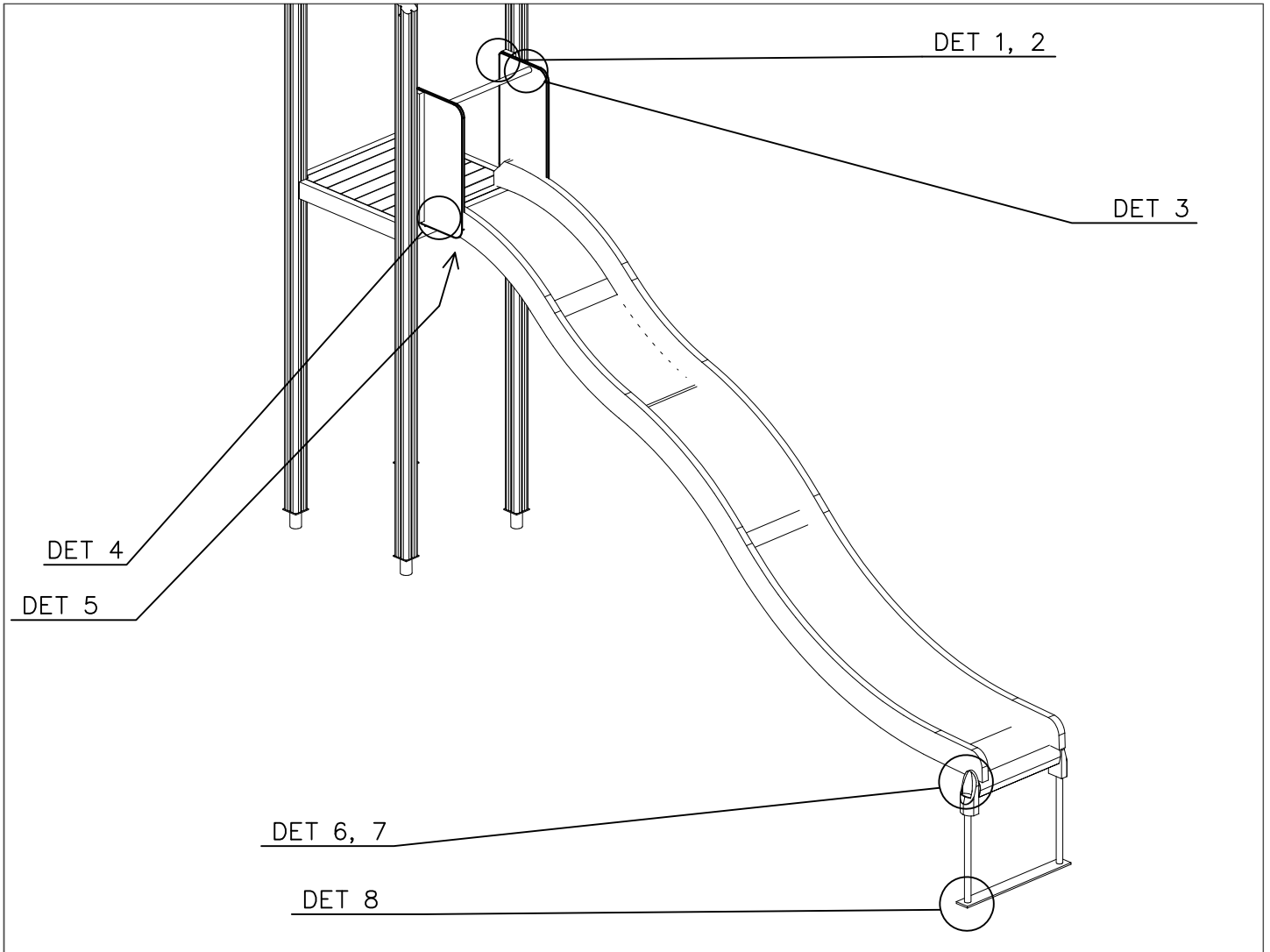
711583	711584	711585	
			
640x702	640x702	640x702	
711593	711596	711634	
			
640x702	640x702	640x702	

DET 1

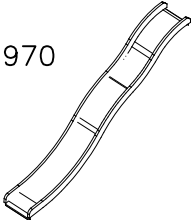


DET 2




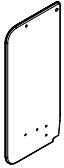

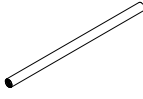
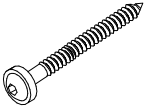
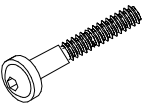
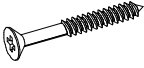
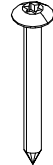



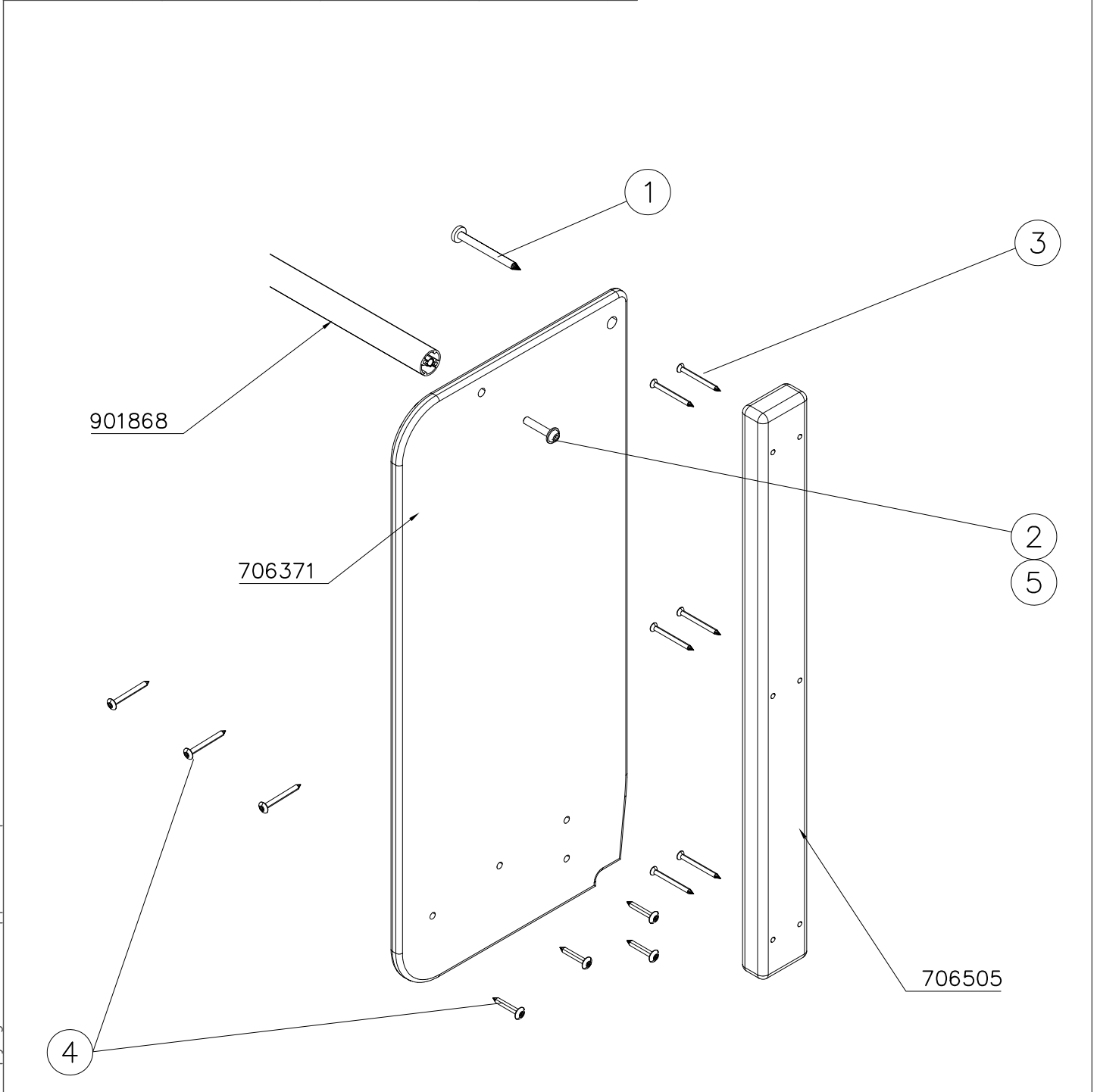
SLIDE OPTIONS

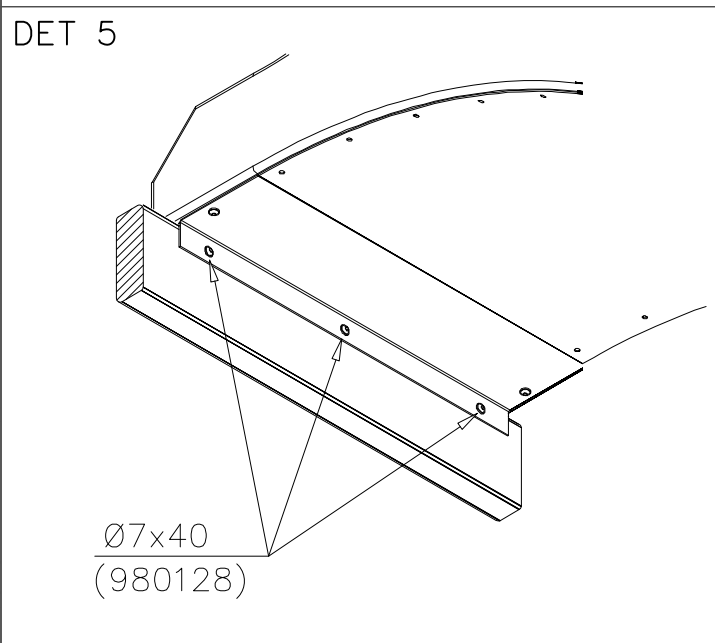
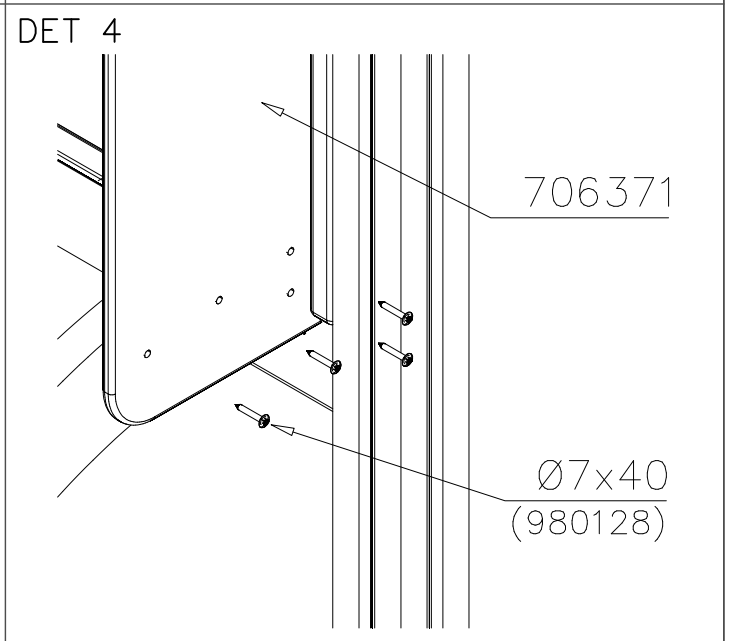
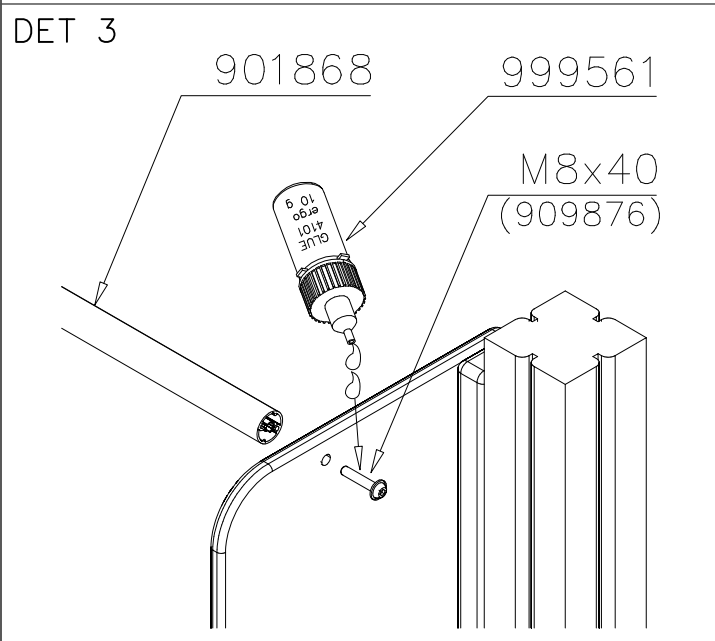
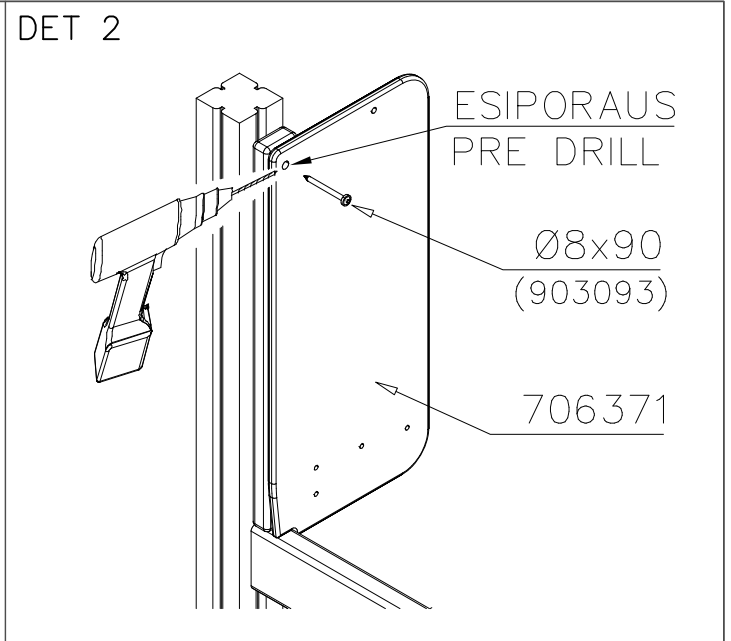
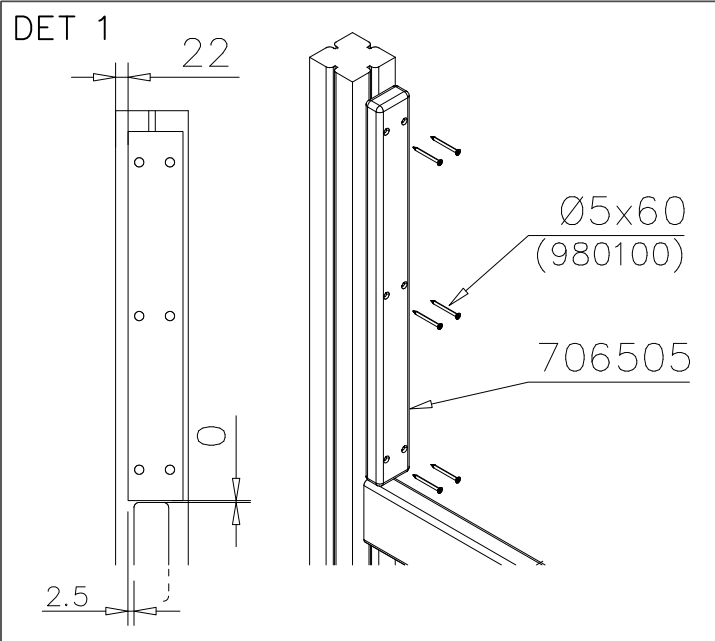
 <p>+1970</p>	<p>704409-001 NATURAL 704409-614 FLORA BROWN</p>	

WALL OPTIONS

 <p>706371</p>	<p>706371-707 GREEN</p>	
---	-------------------------	--

○ SLIDE	PCS	○ 706371	PCS	○ 706505	PCS	○ 901868	PCS	① 903093	PCS	② 909876	PCS
	1		2		2		1		2		2
+1970		15x345x750		35x70x730		Ø34x598		Ø8x90		M8x40	
③ 980100	PCS	④ 980128	PCS	⑤ 999561	PCS						
	12		11		1						
Ø5x60		Ø7x40		10g							





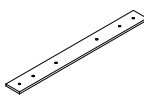
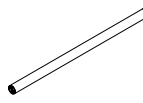

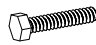
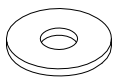
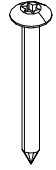
LAPPSET

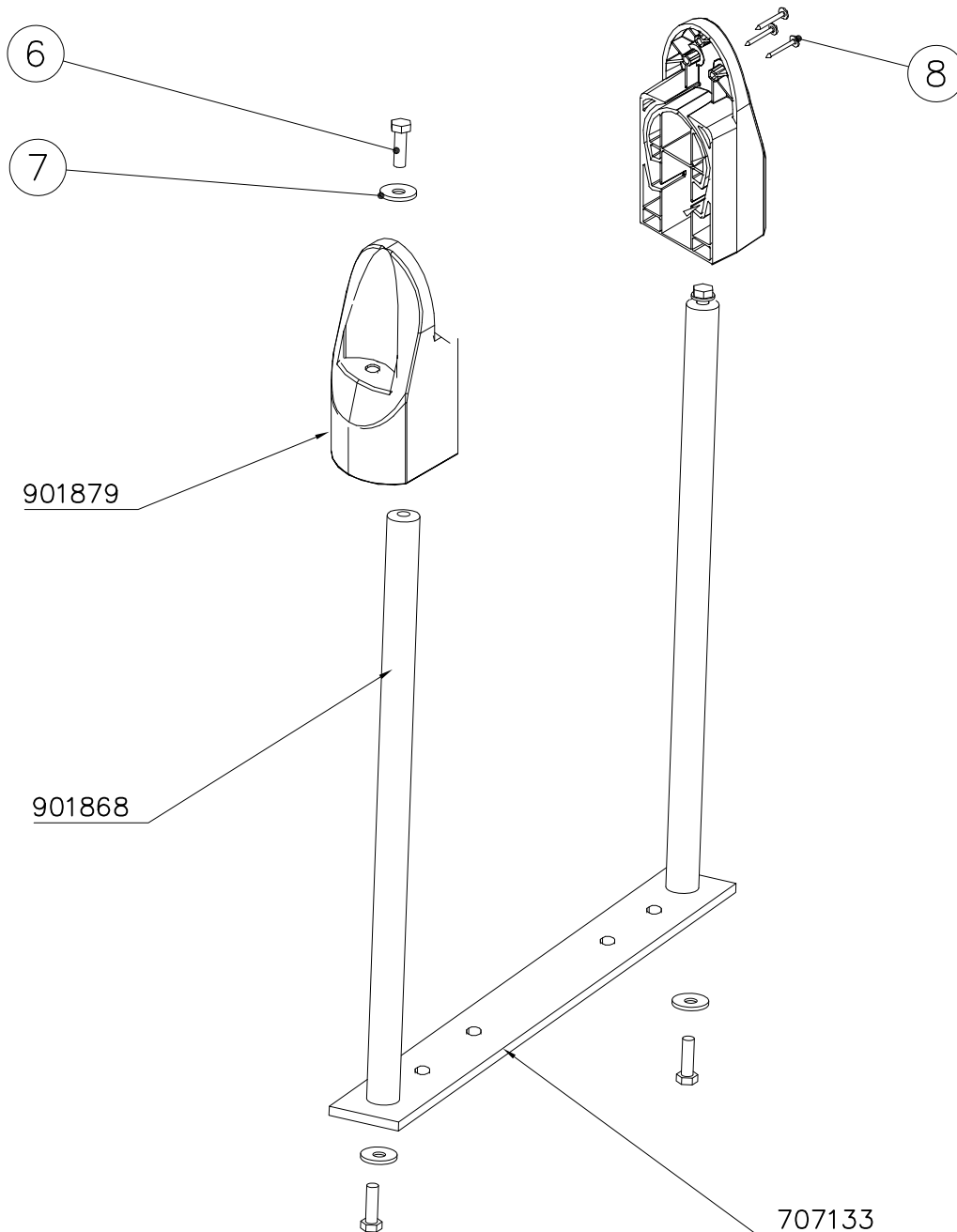
DEEP FOUNDATION

711586

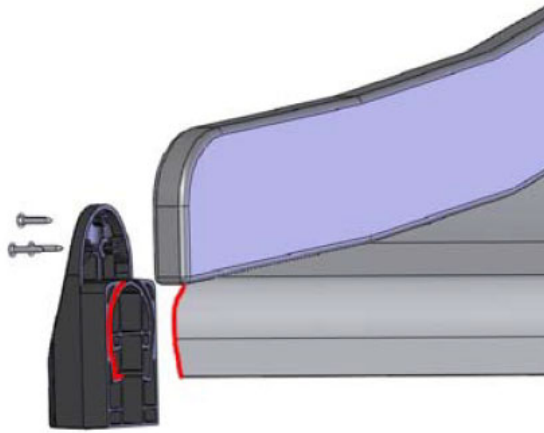
DATE: 28.8.2024

4(5)

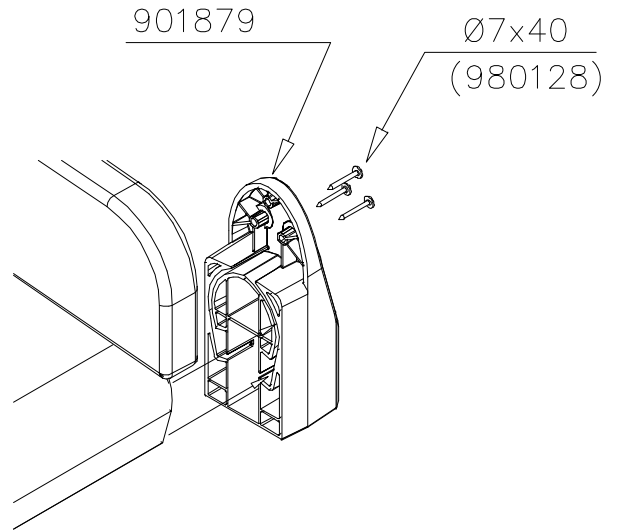
○ 707133	PCS	○ 901868	PCS	○ 901879	PCS	⑥ 909210	PCS	⑦ 905051	PCS	⑧ 980128	PCS
	1		2		2		4		4		6
10x80x745		Ø30x598				M8x40		Ø24/8.4		Ø7x40	



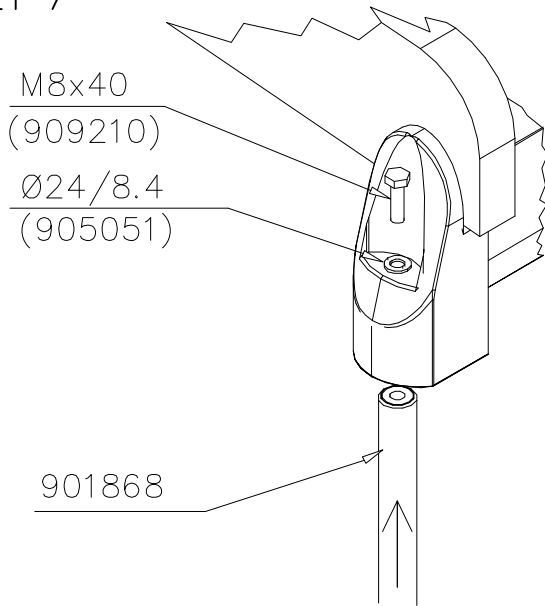
DET 6



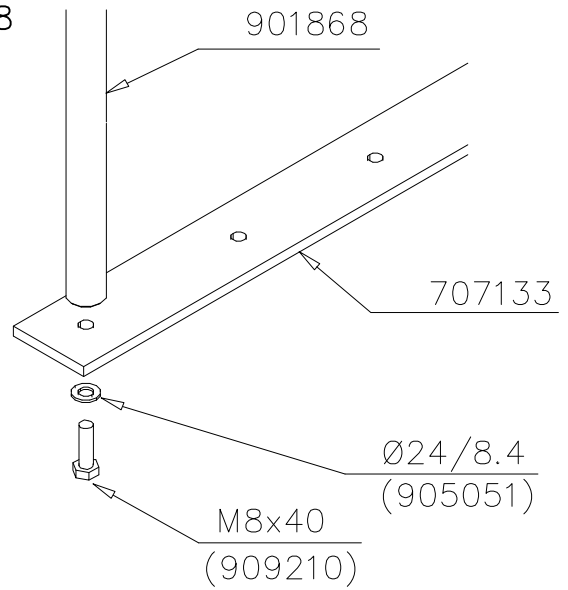
Insert sheet metal IN to the plastic cover.

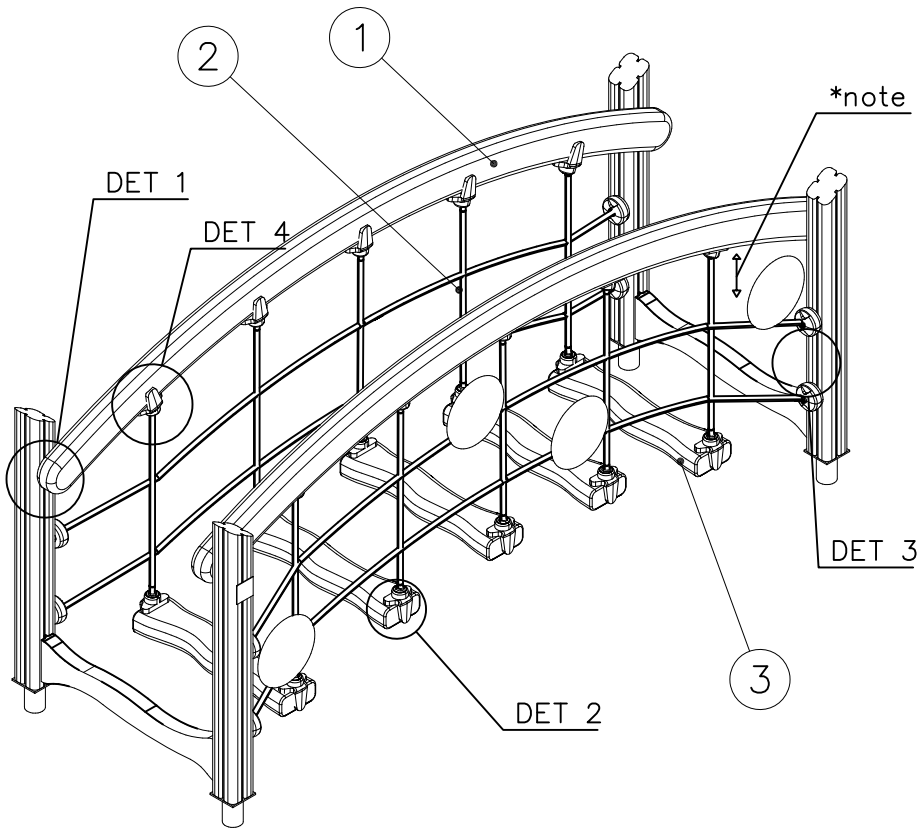


DET 7



DET 8

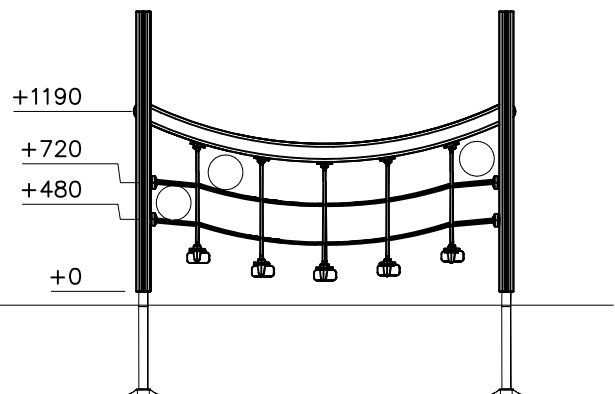
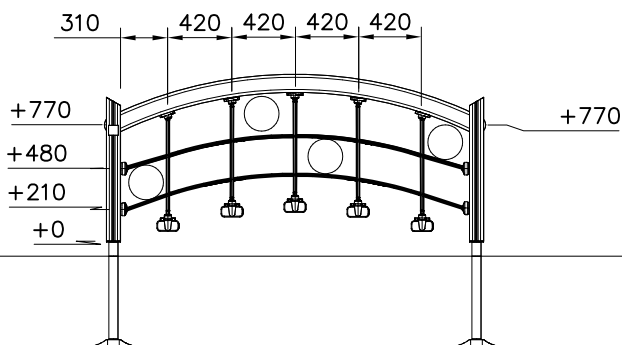




① 708497	PCS	② 708500	PCS
	2		2
68x120x2520		700x2400	2
③ 705223	PCS	④ 900240	PCS
	5		16
70x145x600		Ø8x70	
⑤ 980128	PCS	⑥ 980123	PCS
	10		50
Ø7x40		Ø7x60	
⑦ 980151	PCS	⑧ 909232	PCS
	4		4
Ø16/8.4		Ø8x120	
	PCS	⑨ 905103	PCS
			4
		PT-28/32-H	

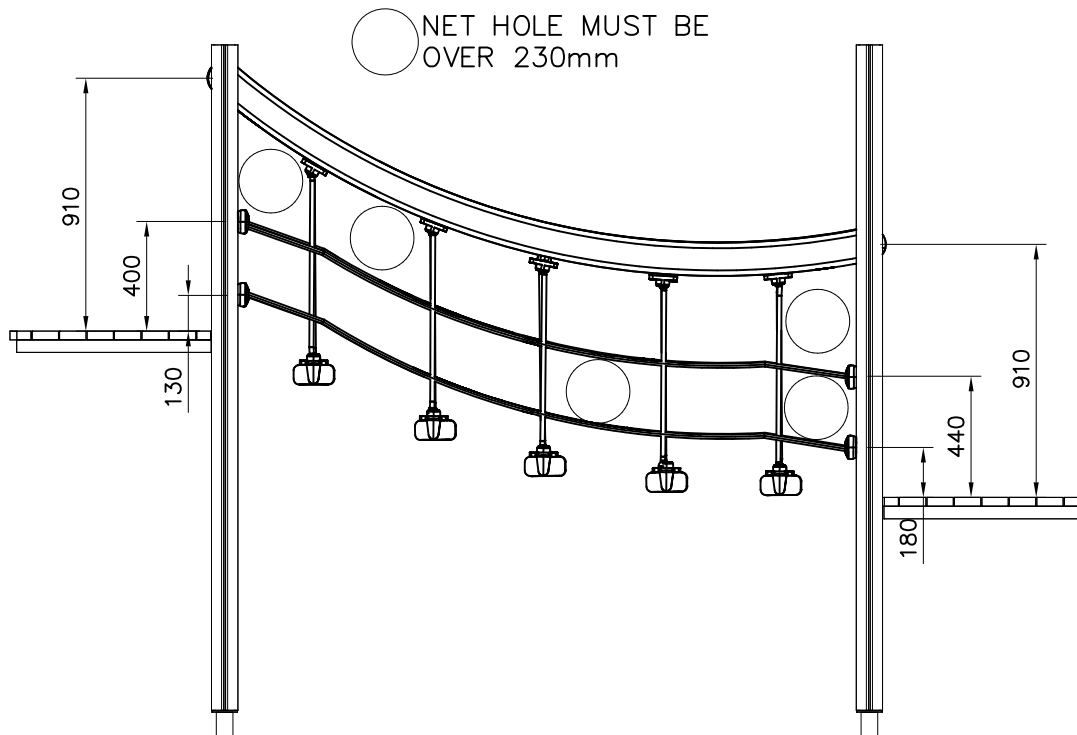
NET HOLE MUST BE OVER 230mm

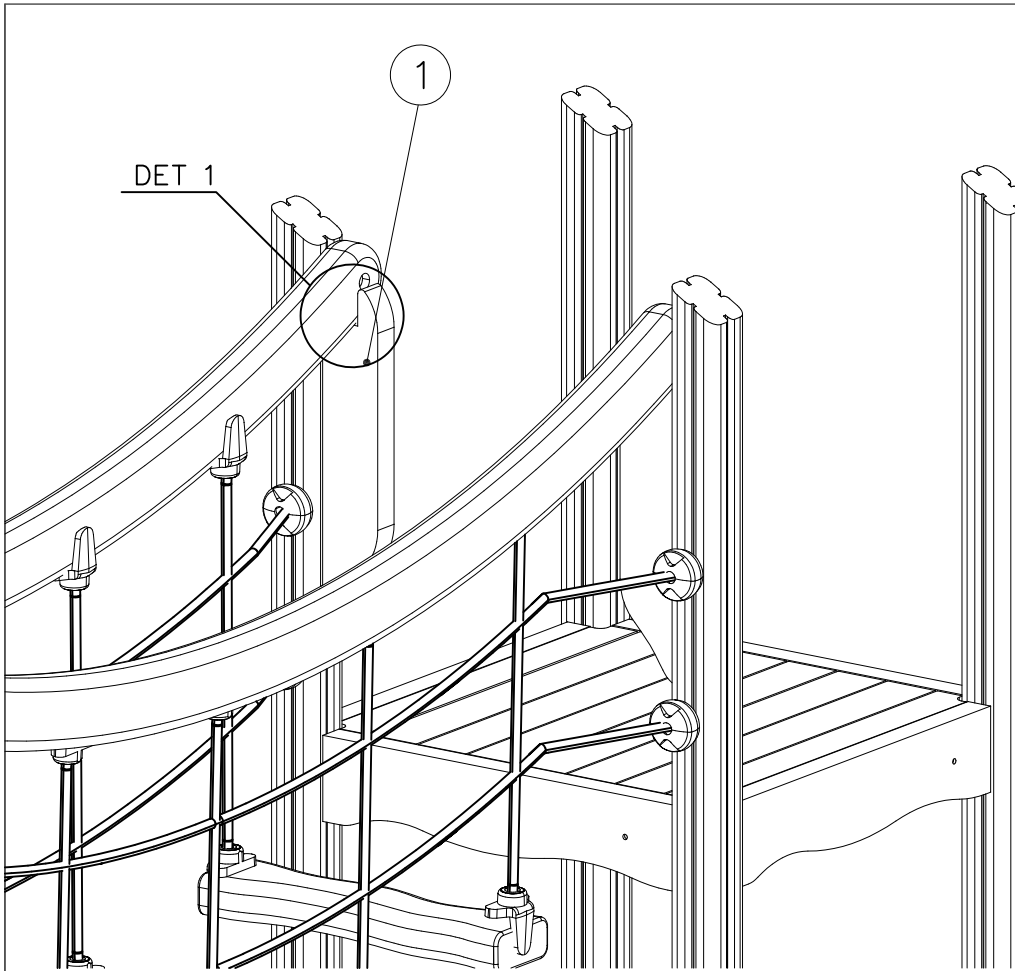
OPTION INSTALLATION

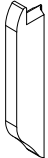

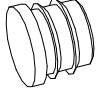



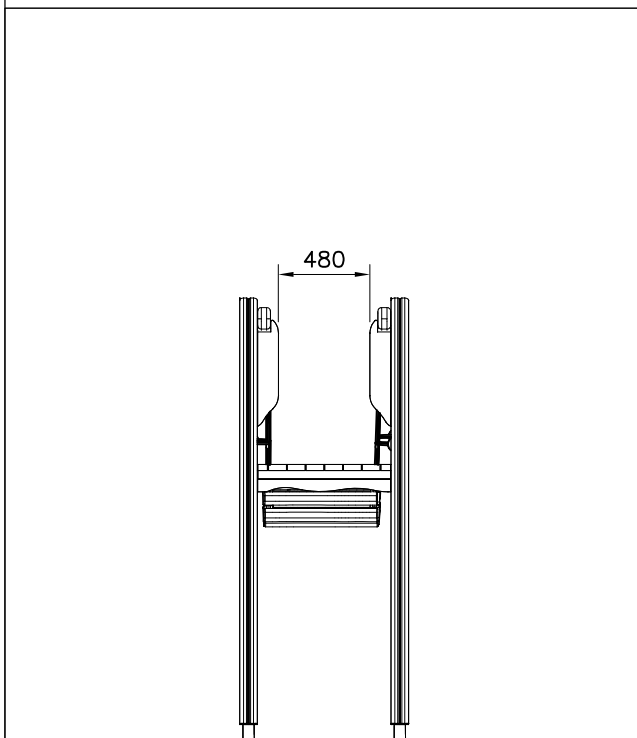
<p>DET 1</p>	<p>DET 2</p>	<p>DET 3</p>
<p>DET 4</p>	<p>*note</p> <p>Rope elements are not symmetrical horizontally. When installing make sure there is larger gap between railing and net.</p>	

OPTION INSTALLATION +500mm

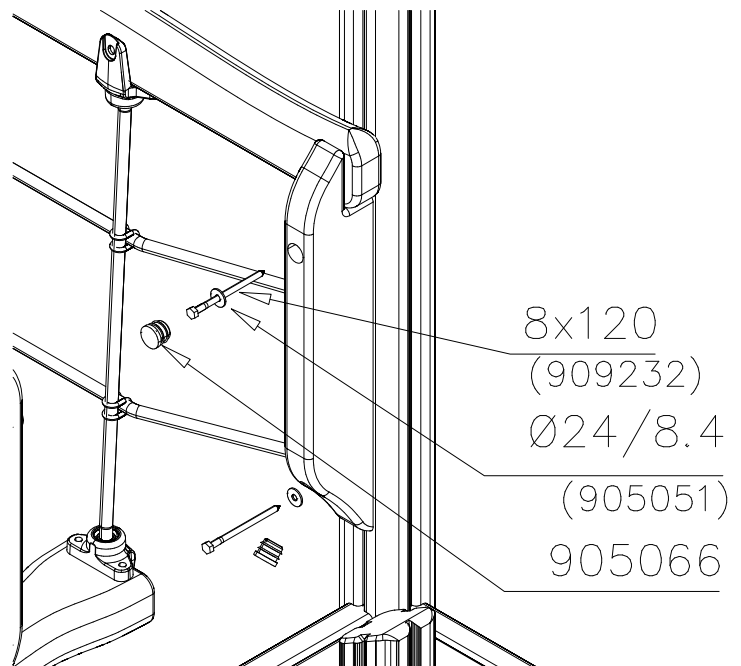


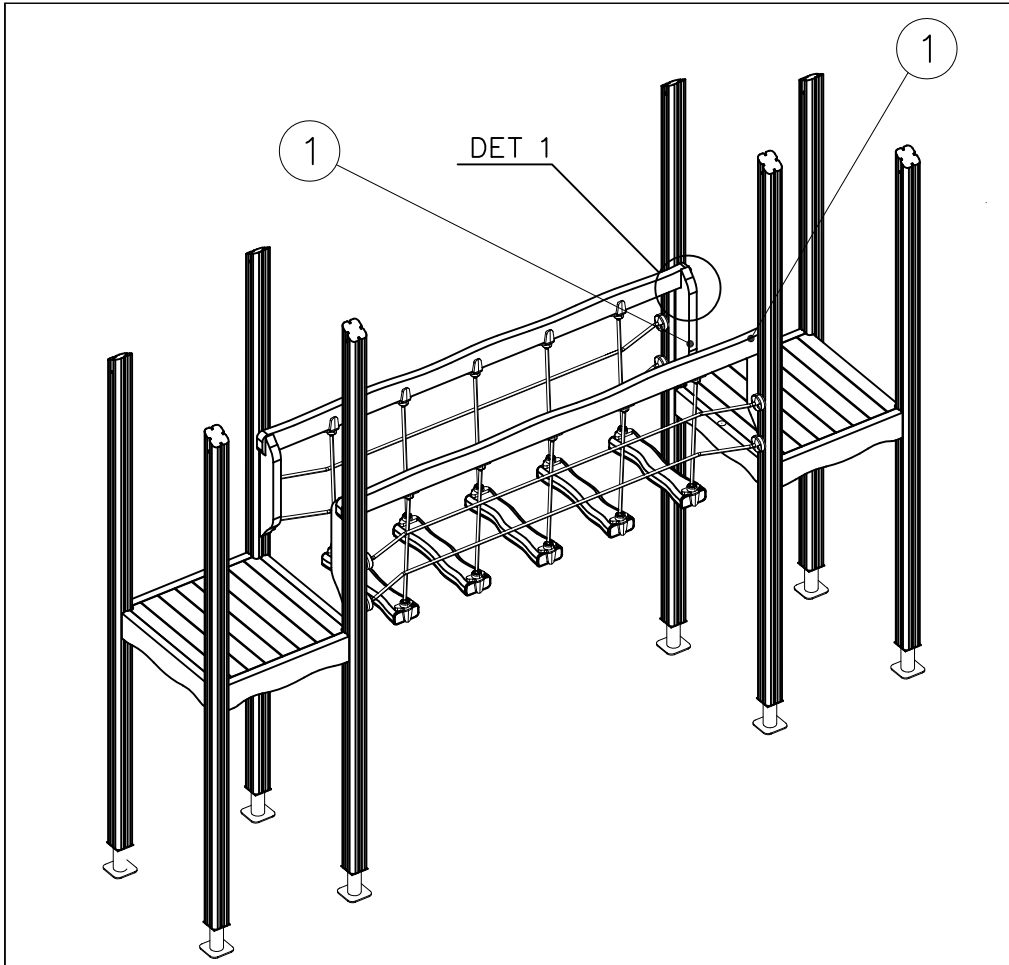


① 710156	PCS	② 905051	PCS
	2		4
45x120x564		Ø24/8.4	
③ 905066	PCS	④ 909232	PCS
	4		4
S30H		8x120	
	PCS		PCS
	PCS		PCS

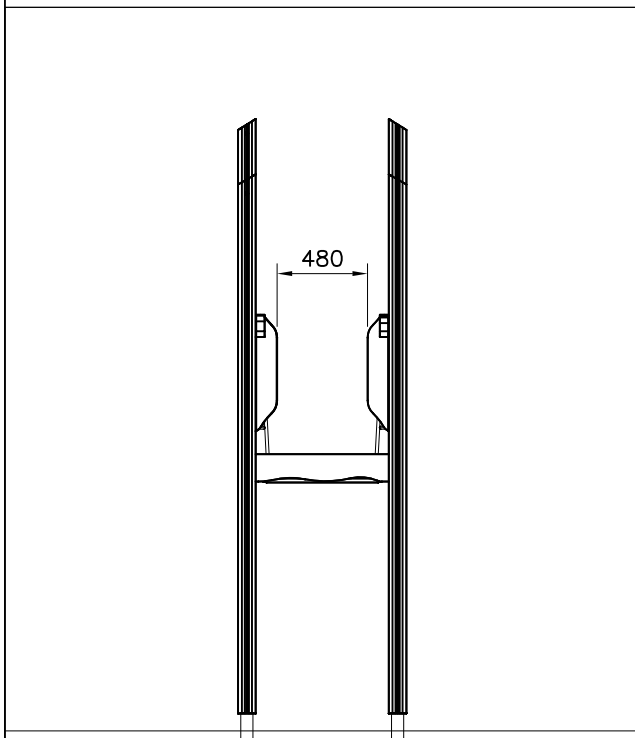


DET 1

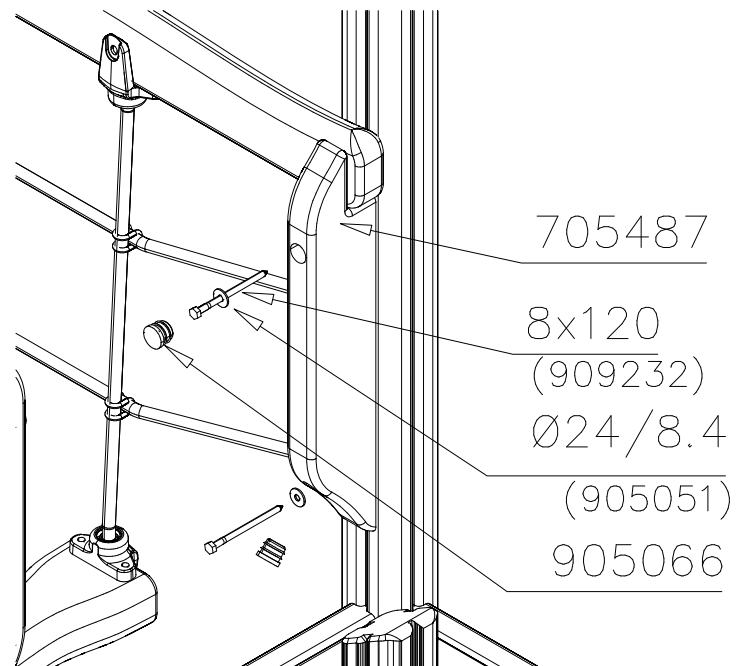


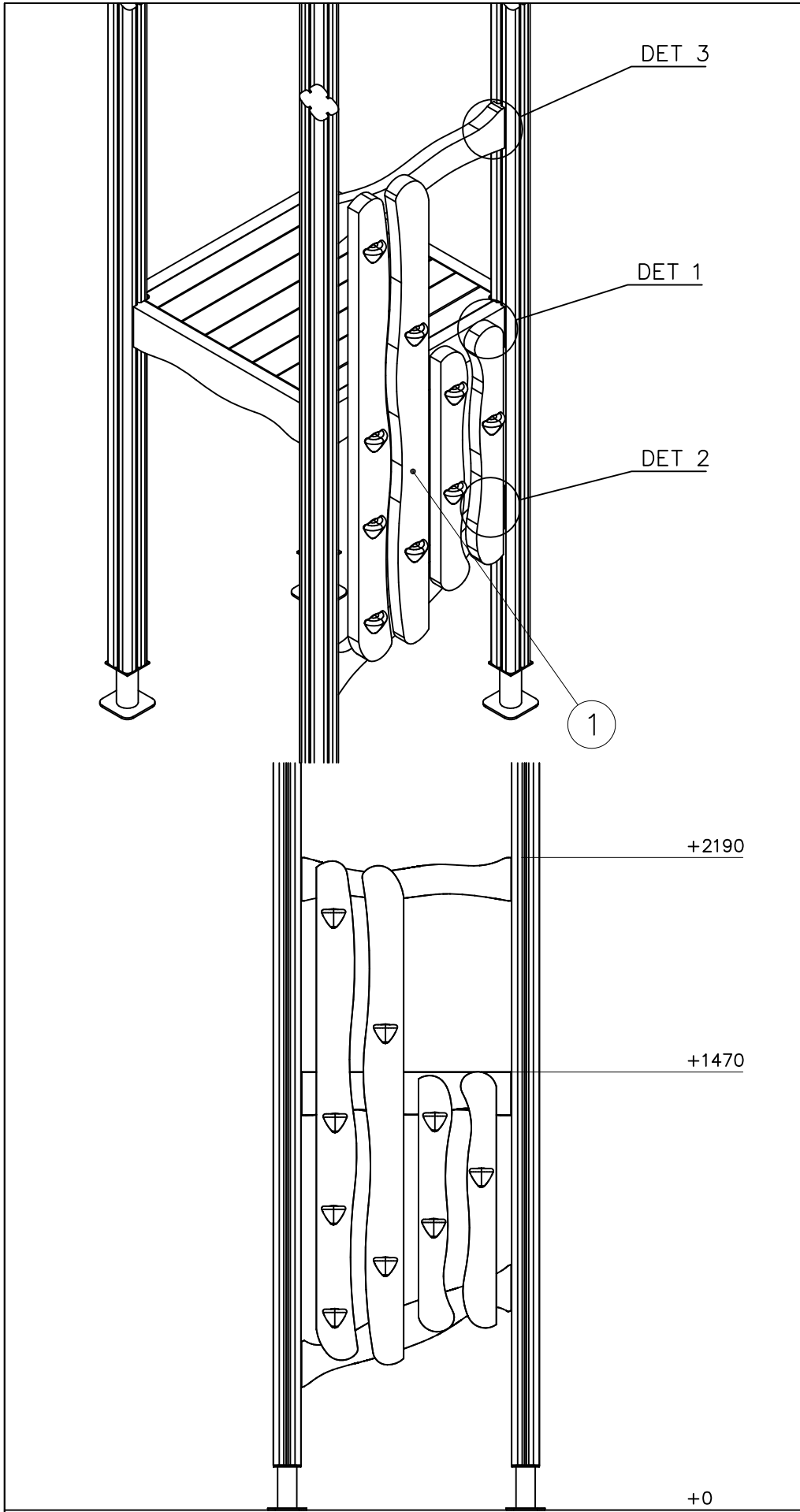


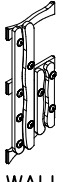
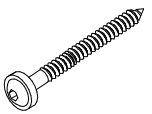
① 705487	PCS	② 905051	PCS
	2		4
45x120x590		Ø24/8.4	
③ 905066	PCS	④ 909232	PCS
	4		4
S30H		8x120	
	PCS		PCS
	PCS		PCS



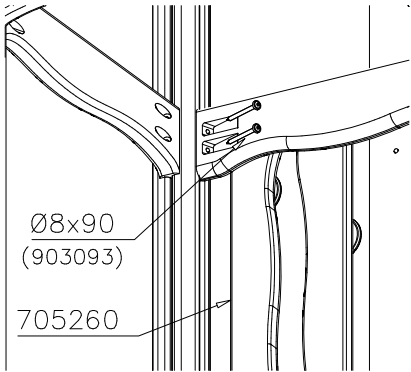
DET 1



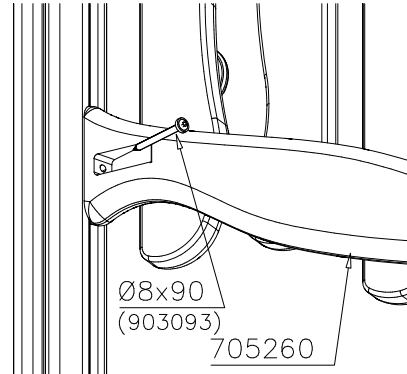


① 705260	PCS	② 903093	PCS
	1		10
WALL		Ø8x90	
	PCS		PCS
	PCS		PCS
	PCS		PCS
	PCS		PCS
	PCS		PCS
	PCS		PCS
	PCS		PCS

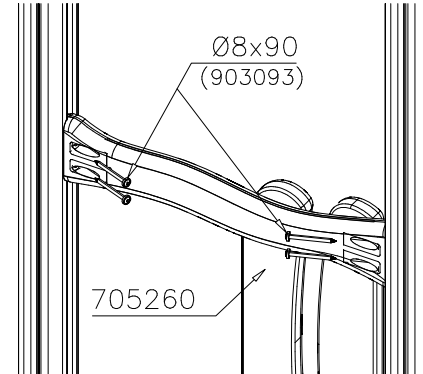
DET 1

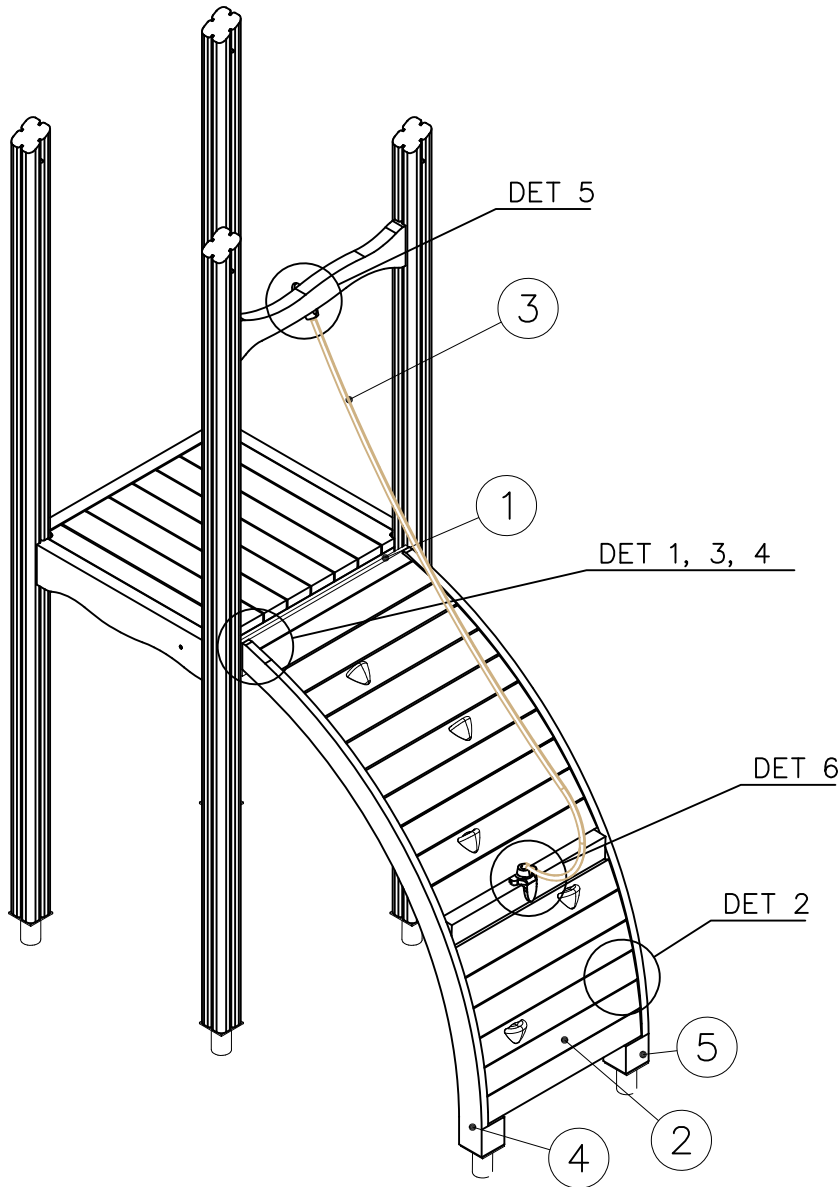


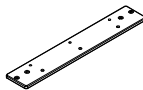




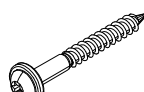

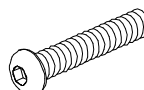
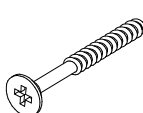


DET 2

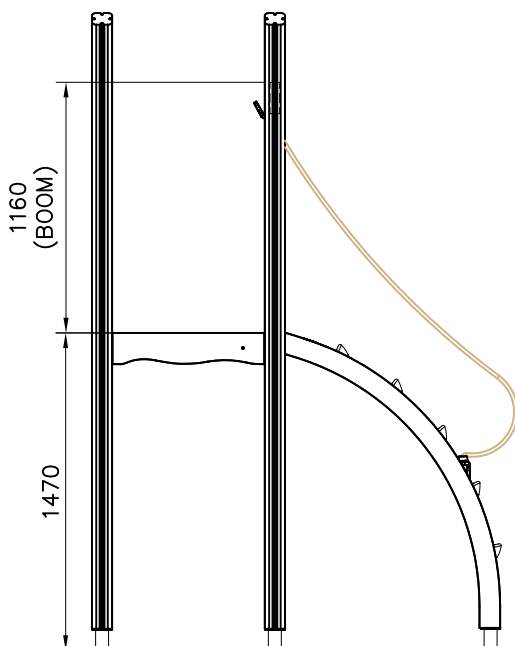


DET 3

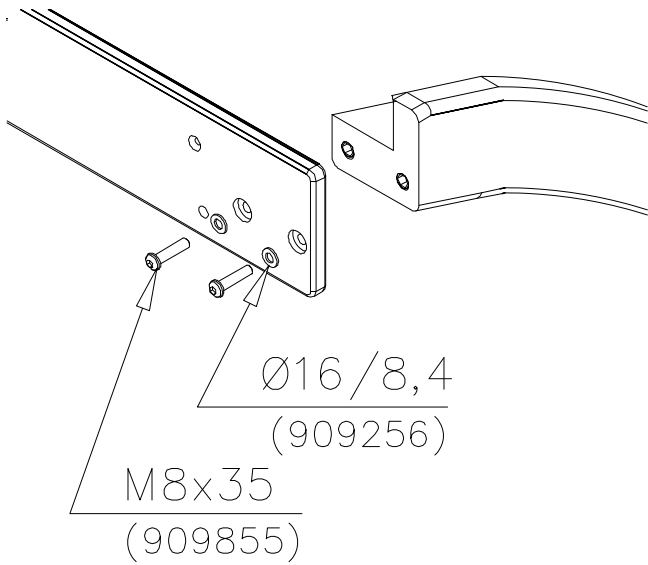




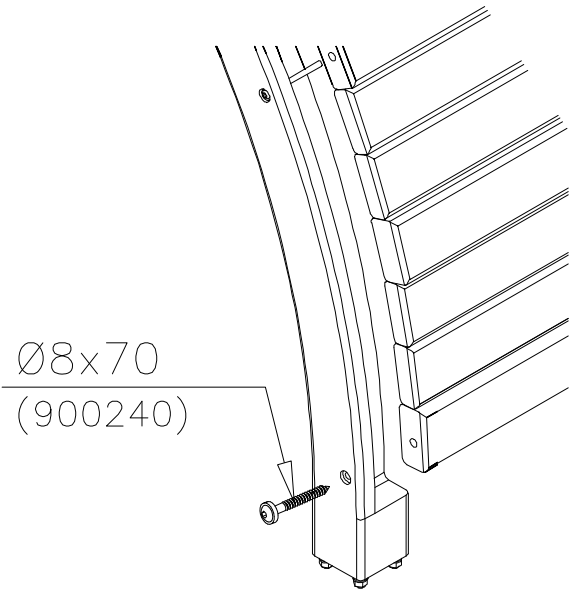
① 701092 -707	PCS 1	② 705331	PCS 1
			
15x120x700		45x645x1670	
③ 705363	PCS 1	④ 701090	PCS 1
			
L 2120		95x1005x1365	
⑤ 701091	PCS 1	⑥ 900240	PCS 8
			
95x1005x1365		Ø8x70	
⑦ 909256	PCS 4	⑧ 909855	PCS 4
			
Ø16/8.4x1.6		M8x35	
⑨ 980107	PCS 3	⑩ 980123	PCS 4
			
Ø6x60		Ø7x60	
⑪ 980128	PCS 5		PCS
			
Ø7x40			
	PCS		PCS
	PCS		PCS



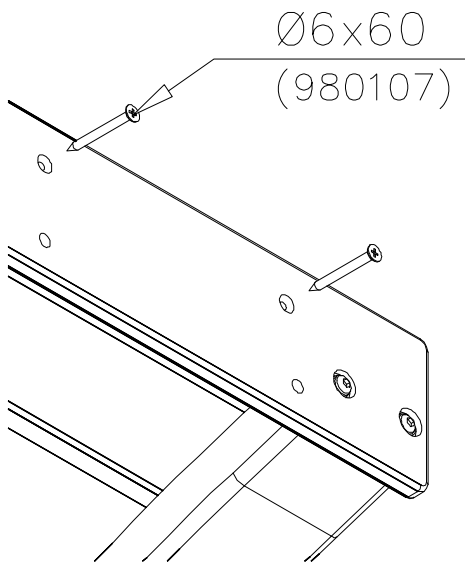
DET 1



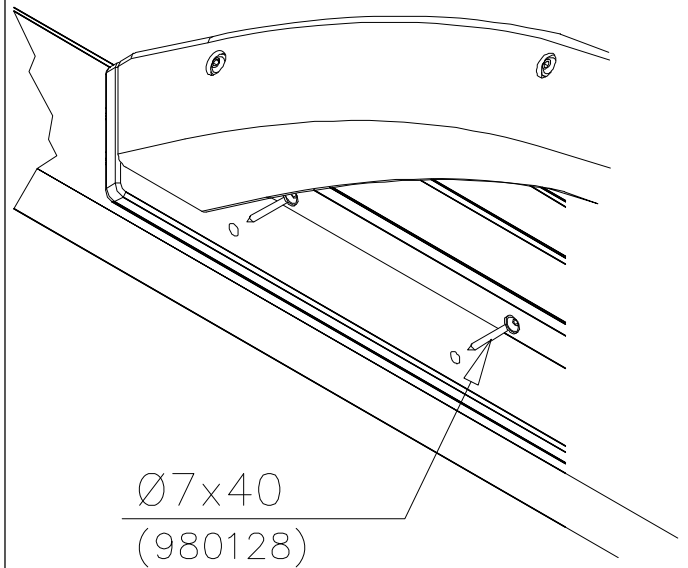
DET 2



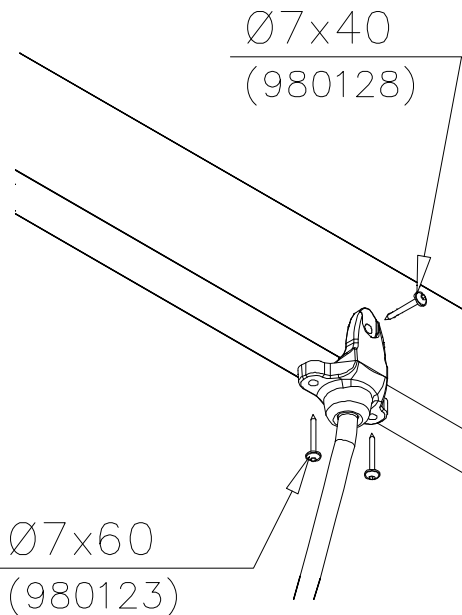
DET 3



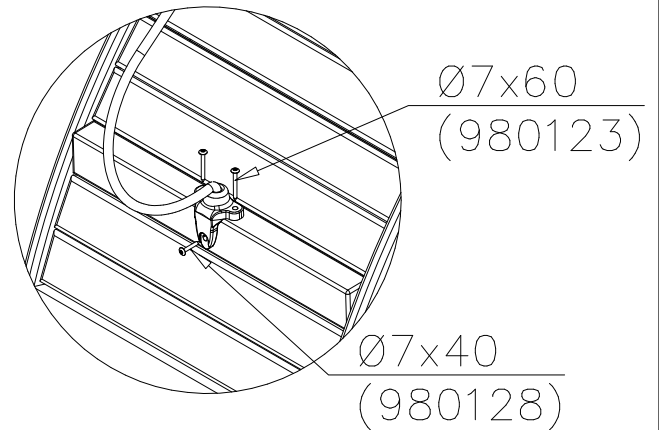
DET 4

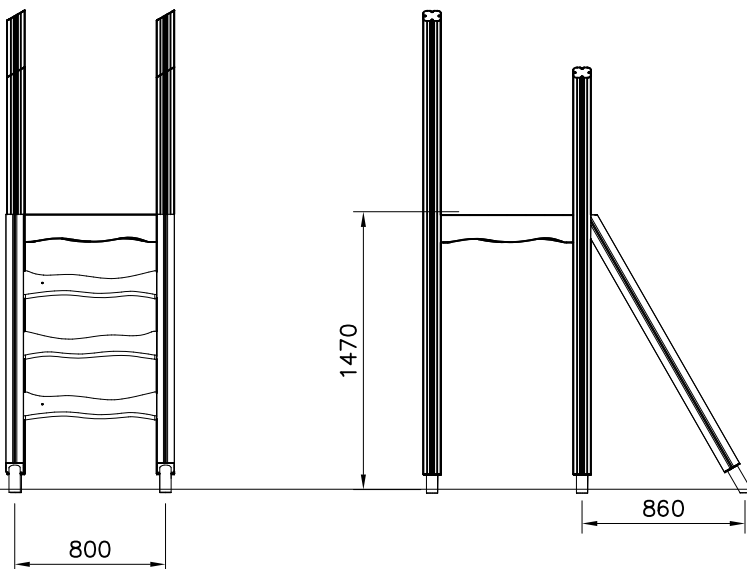
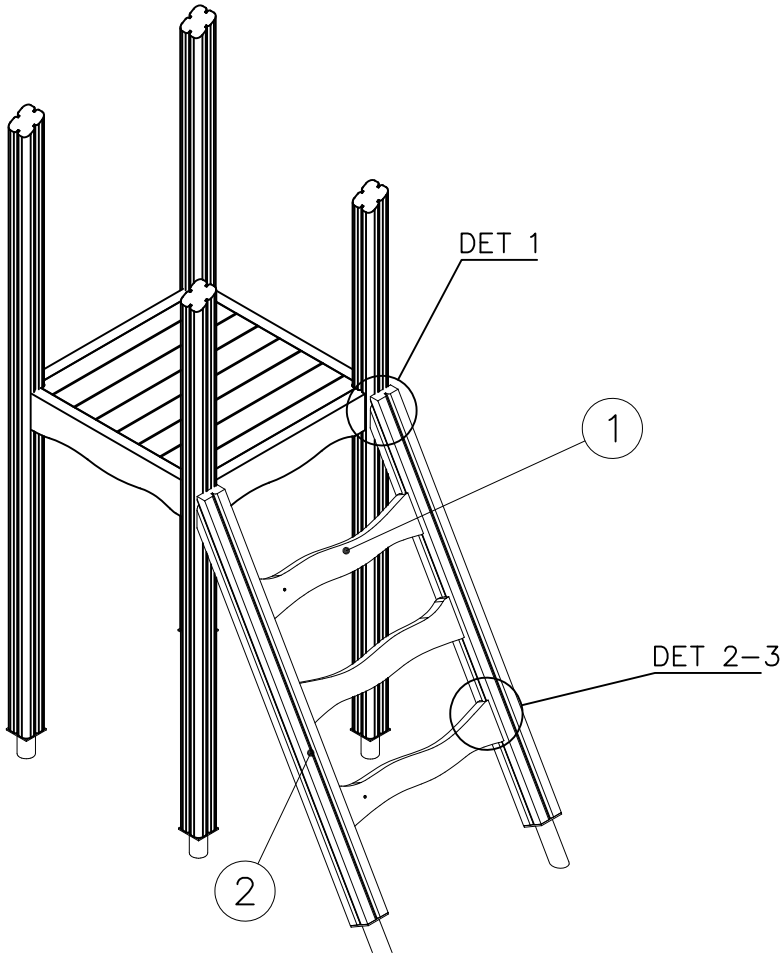


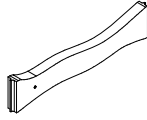

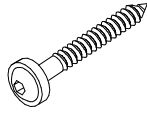
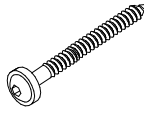
DET 5

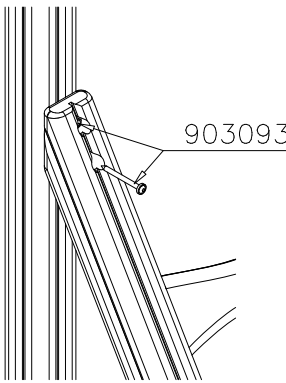
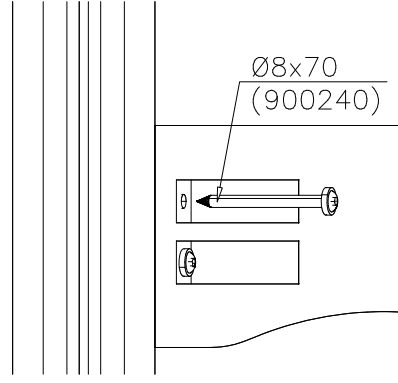
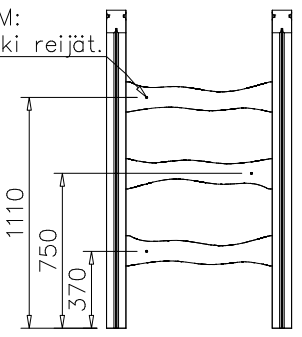


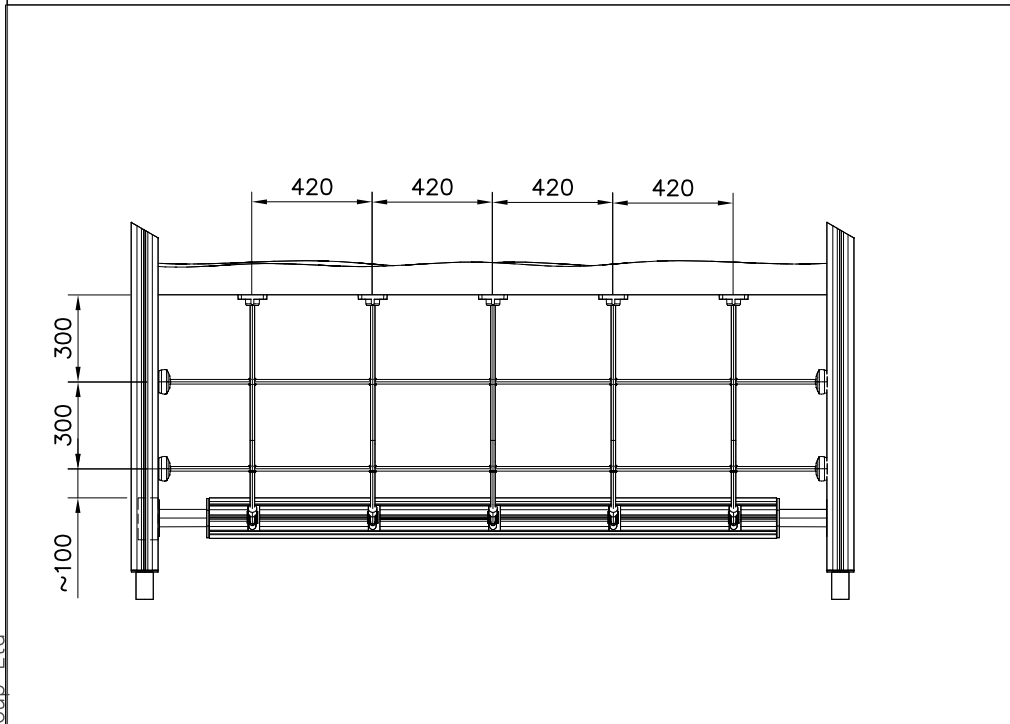
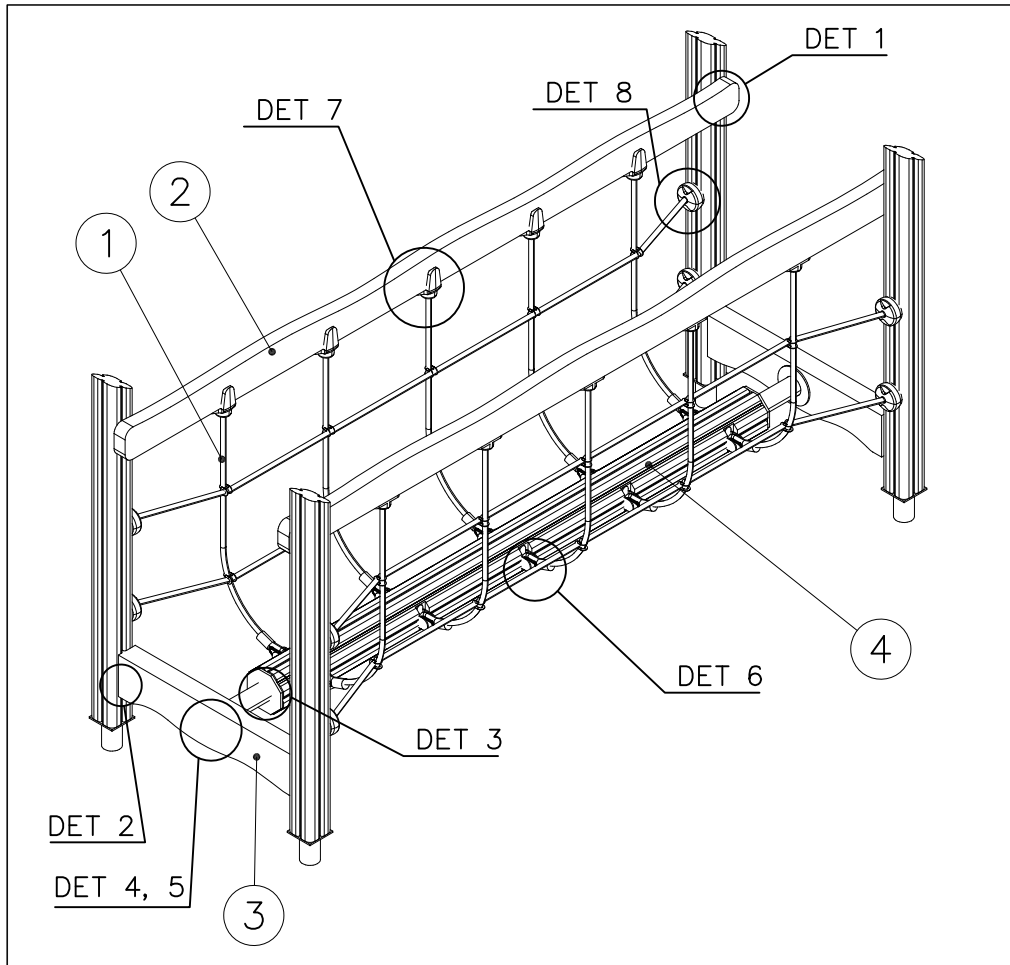
DET 6

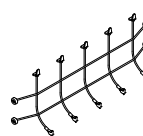
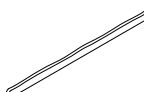
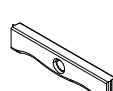







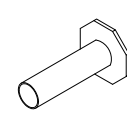
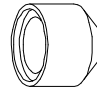

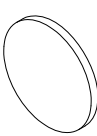



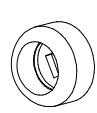




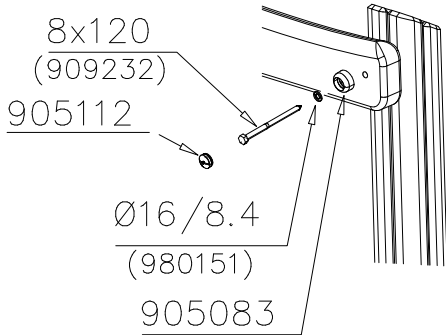
① 705197	PCS	② 705225	PCS
	3		2
L=724		L=1527	
③ 900240	PCS	④ 903093	PCS
	12		4
Ø8x70		Ø8x90	
	PCS		PCS
	PCS		PCS
	PCS		PCS
	PCS		PCS
	PCS		PCS

<p>DET 1</p> 	<p>DET 2</p> 	<p>DET 3</p> <p>NOTE: Marker holes HUOM: Merkki reiät.</p> 
<p>DET 4</p>	<p>DET 5</p>	

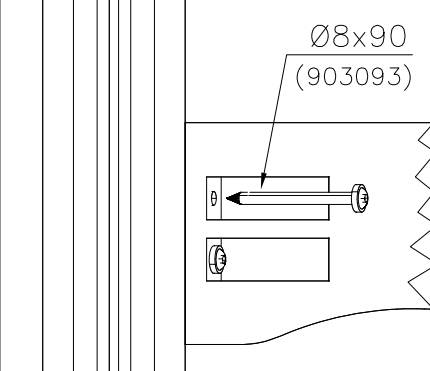


① 708748	PCS	② 705222	PCS
	2		2
		45x113x2480	
③ 708760	PCS	④ 708712	PCS
	2		1
68x145x724		140x140x1999	
⑤ 980123	PCS	⑥ 980102	PCS
	20		8
Ø7x60		Ø5x40	
⑦ 900366	PCS	⑧ 980128	PCS
	2		10
M12x40		Ø7x40	
⑨ 907239	PCS	⑩ 900240	PCS
	2		20
		Ø8x70	
⑪ 910350	PCS	⑫ 905104	PCS
	2		16
		M10	
⑬ 903093	PCS	⑭ 910462	PCS
	24		2
Ø8x90			
⑮ 980151	PCS	⑯ 909232	PCS
	4		4
Ø16/8.4		Ø8x120	
⑰ 905112	PCS	⑱ 905083	PCS
	4		4
Ø22		Ø32	

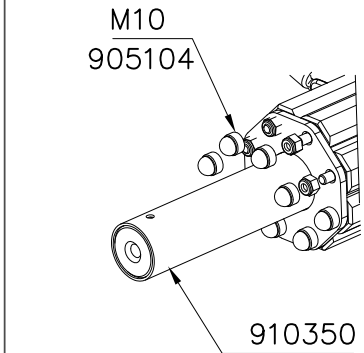
DET 1



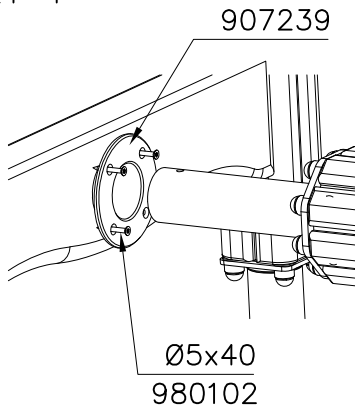
DET 2



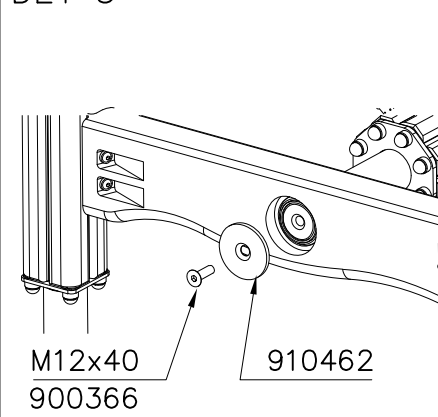
DET 3



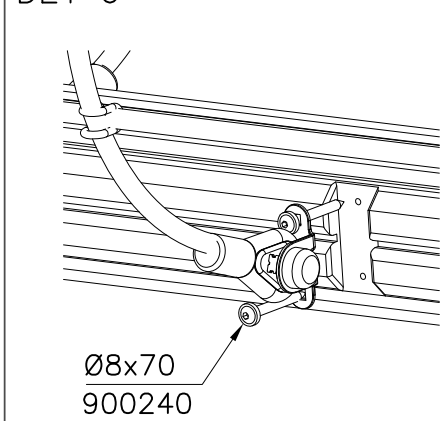
DET 4



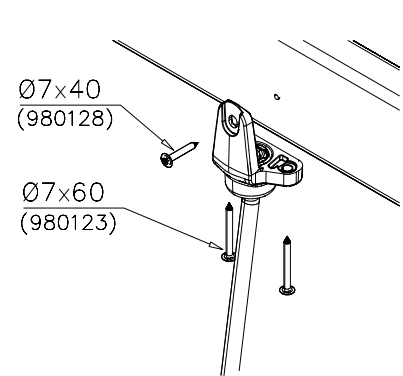
DET 5



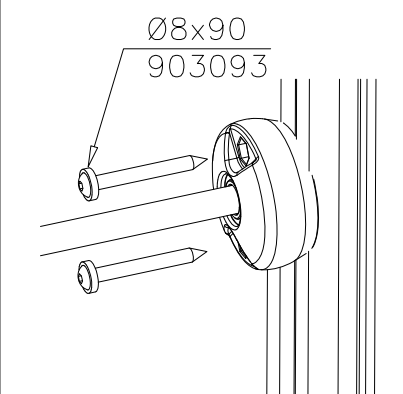
DET 6

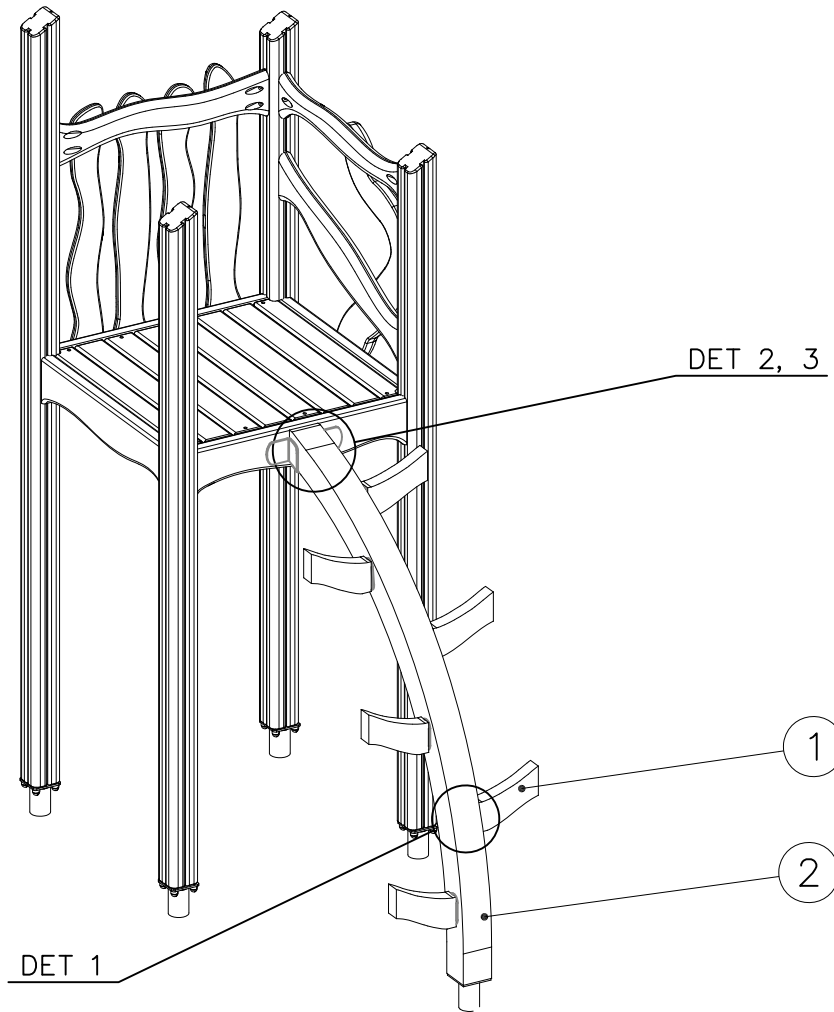


DET 7

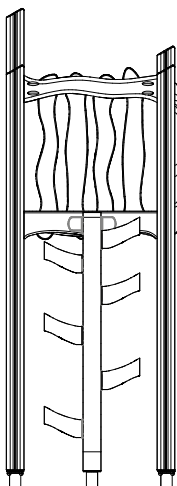


DET 8

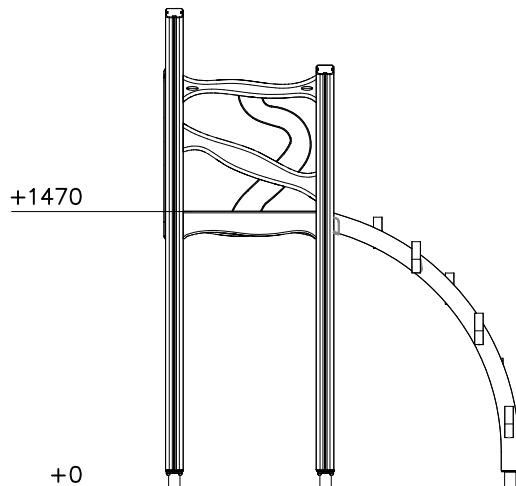




① 705643	PCS	② 705367	PCS
	6		1
		95x1005x1365	
③ 902439	PCS	④ 902474	PCS
	1		1
⑤ 905103	PCS	⑥ 909256	PCS
	12		12
PT-28/32-H		Ø16/8.4	
⑦ 980161	PCS	⑧ 980165	PCS
	12		12
M10		Ø24/13	
⑨ 980128	PCS		PCS
	12		
Ø7x40			



400

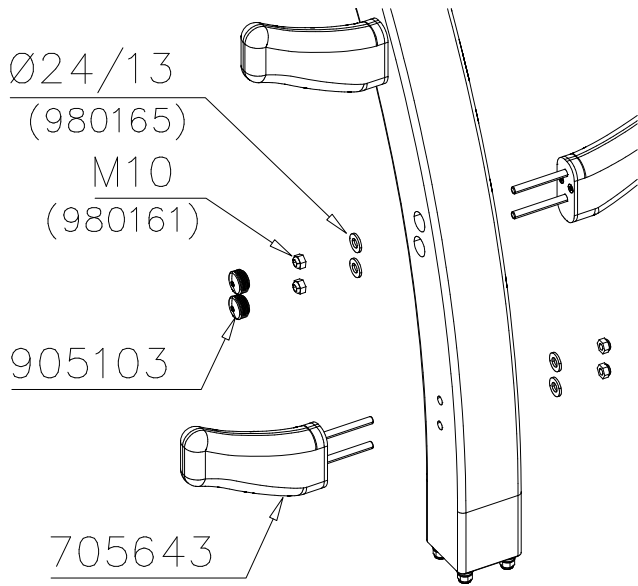


+1470

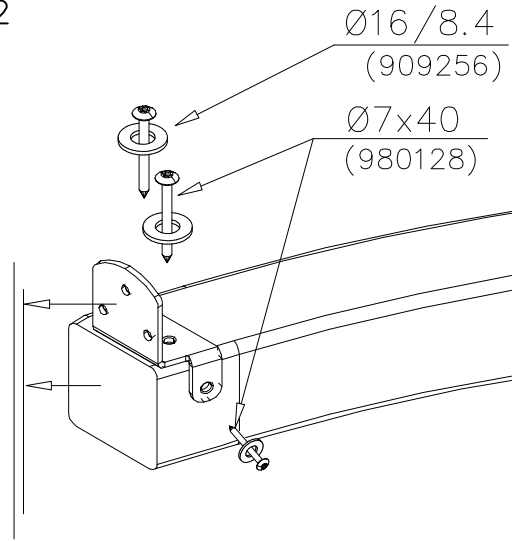
+0

980

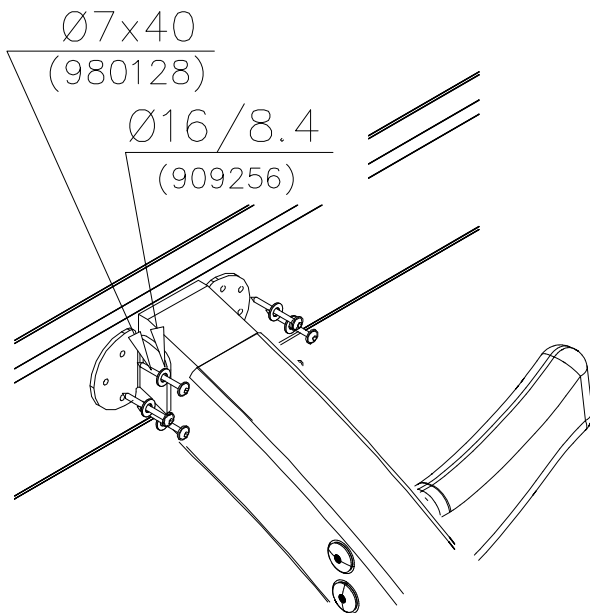
DET 1

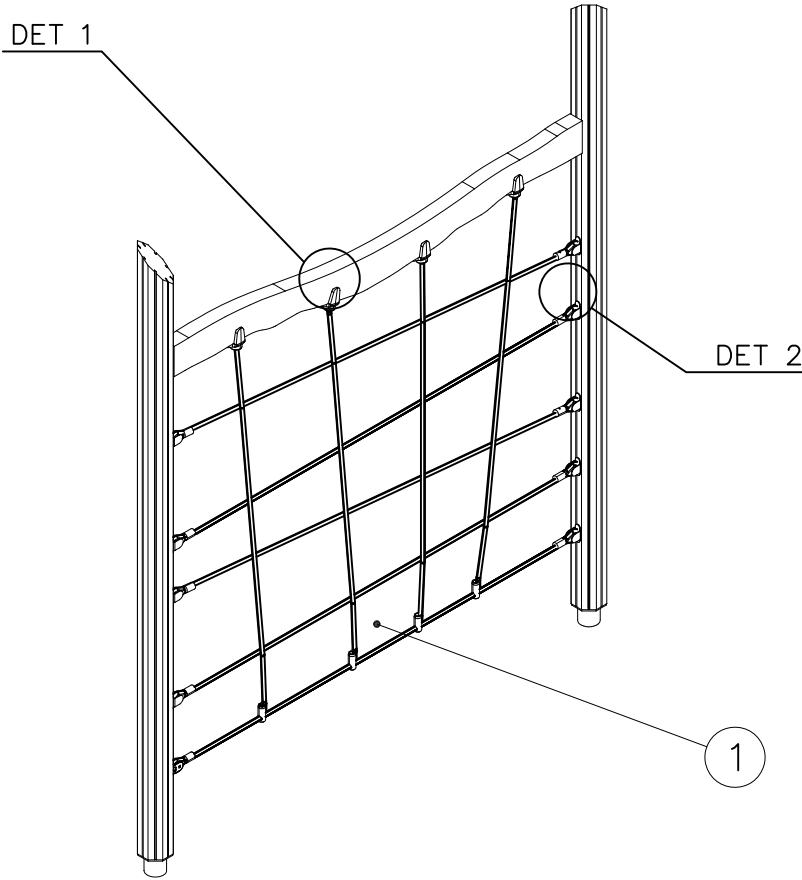



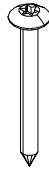



DET 2

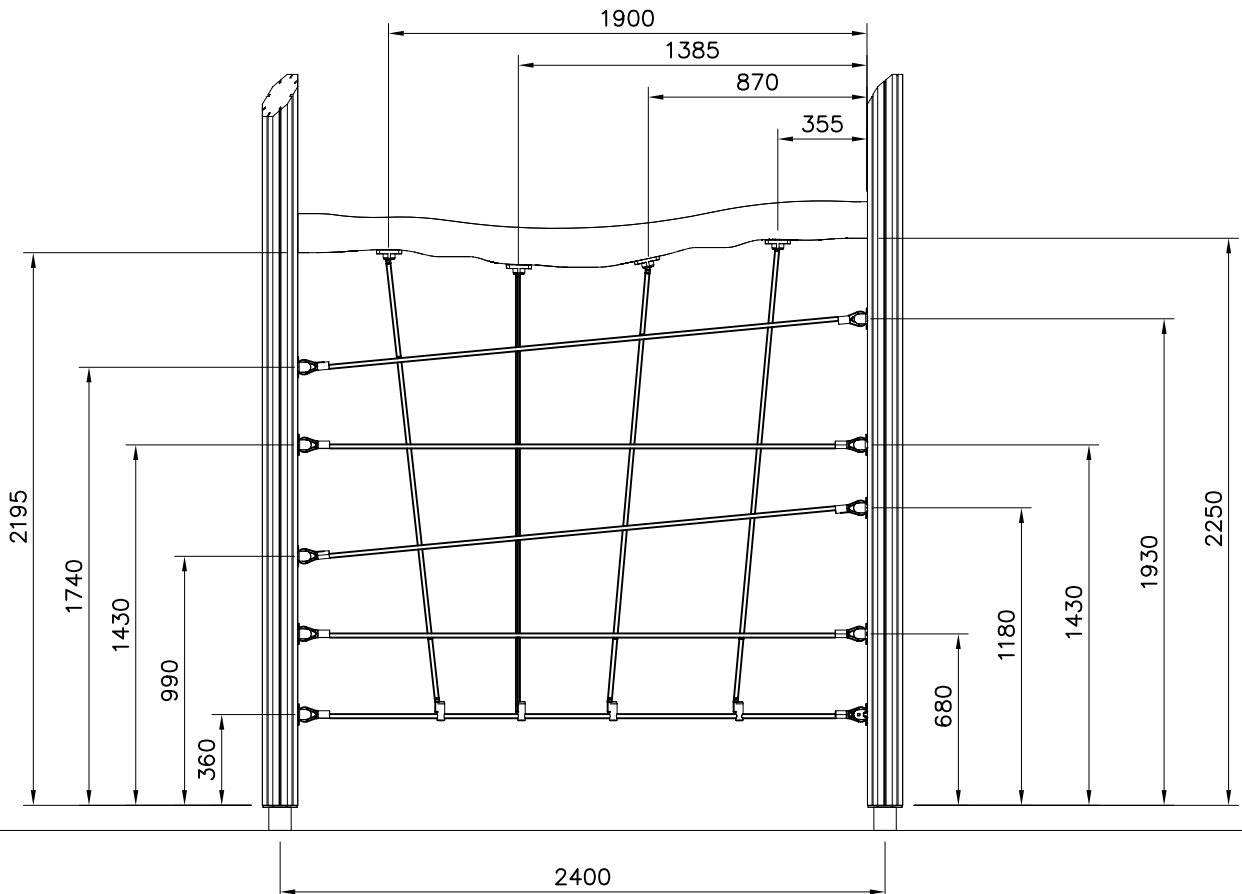


DET 3

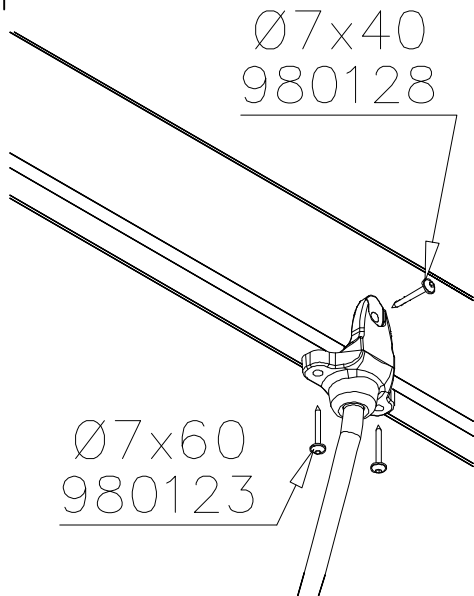




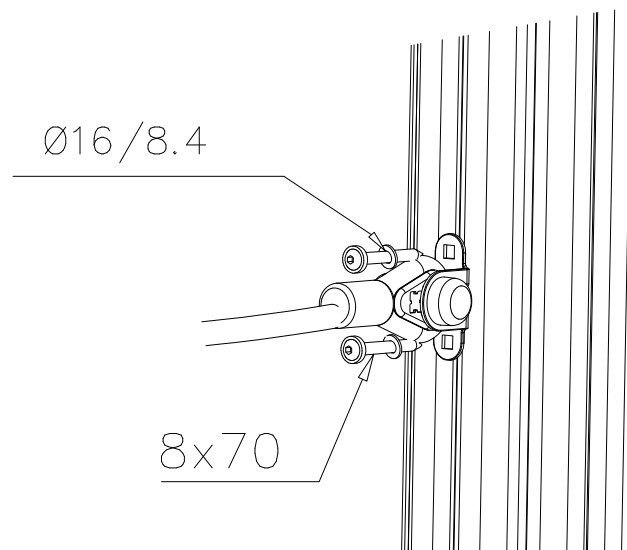
① 705918	PCS	② 980123	PCS
	1		8
		Ø7x60	
③ 980128	PCS	④ 909256	PCS
	4		20
Ø7x40		Ø16/8.4	
	PCS	⑤ 900240	PCS
			20
		Ø8x70	
	PCS		PCS

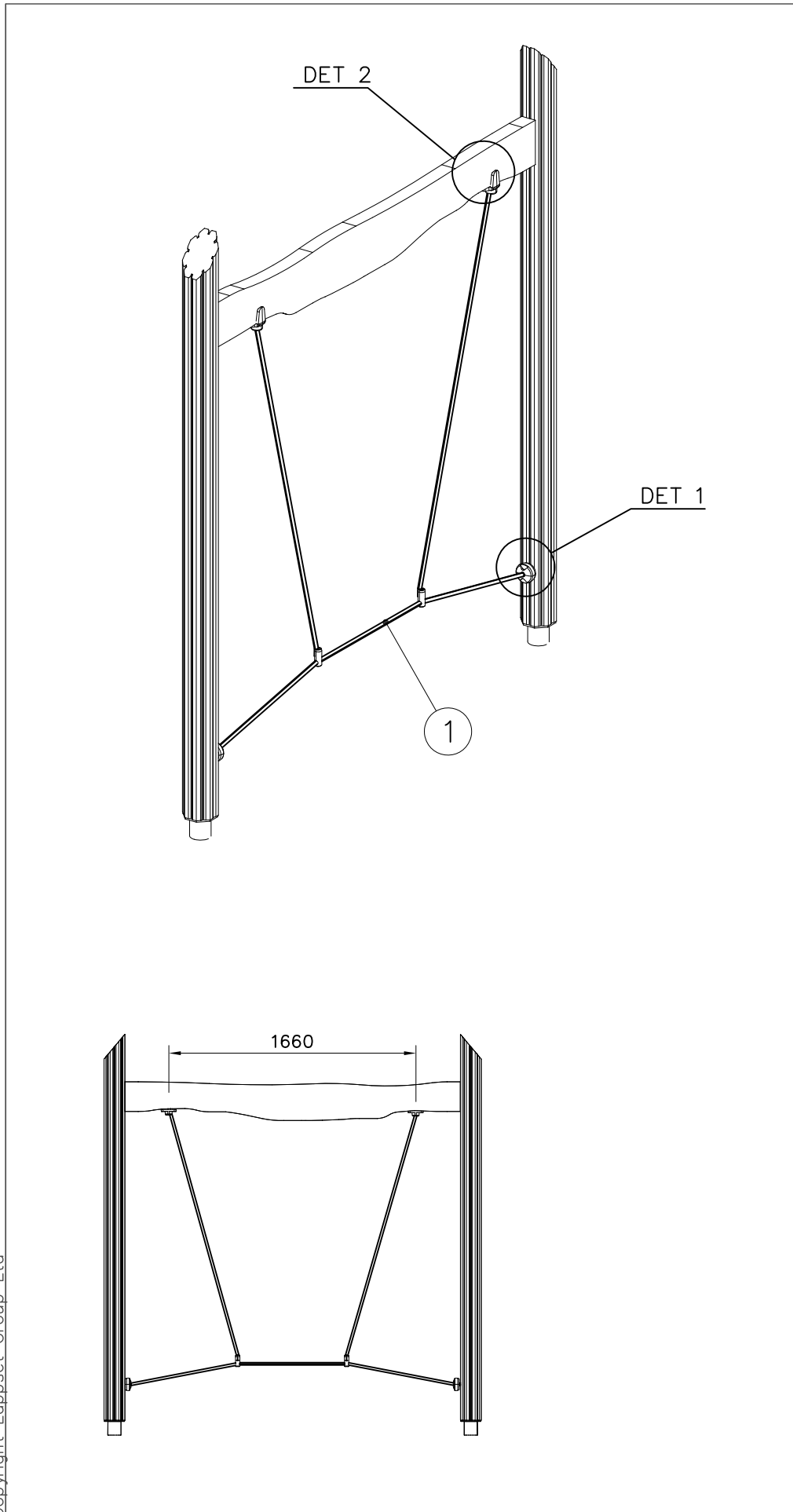


DET 1



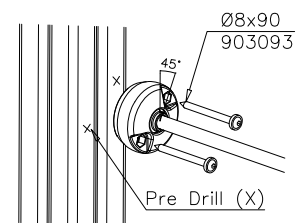
DET 2



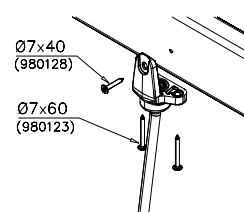


① 708537 68x385x725	PCS 1	② 980128 Ø7x40	PCS 2
③ 980123 Ø7x60	PCS 4	④ 903093 Ø8x90	PCS 4
	PCS		PCS
	PCS		PCS
	PCS		PCS

DET 1



DET 2



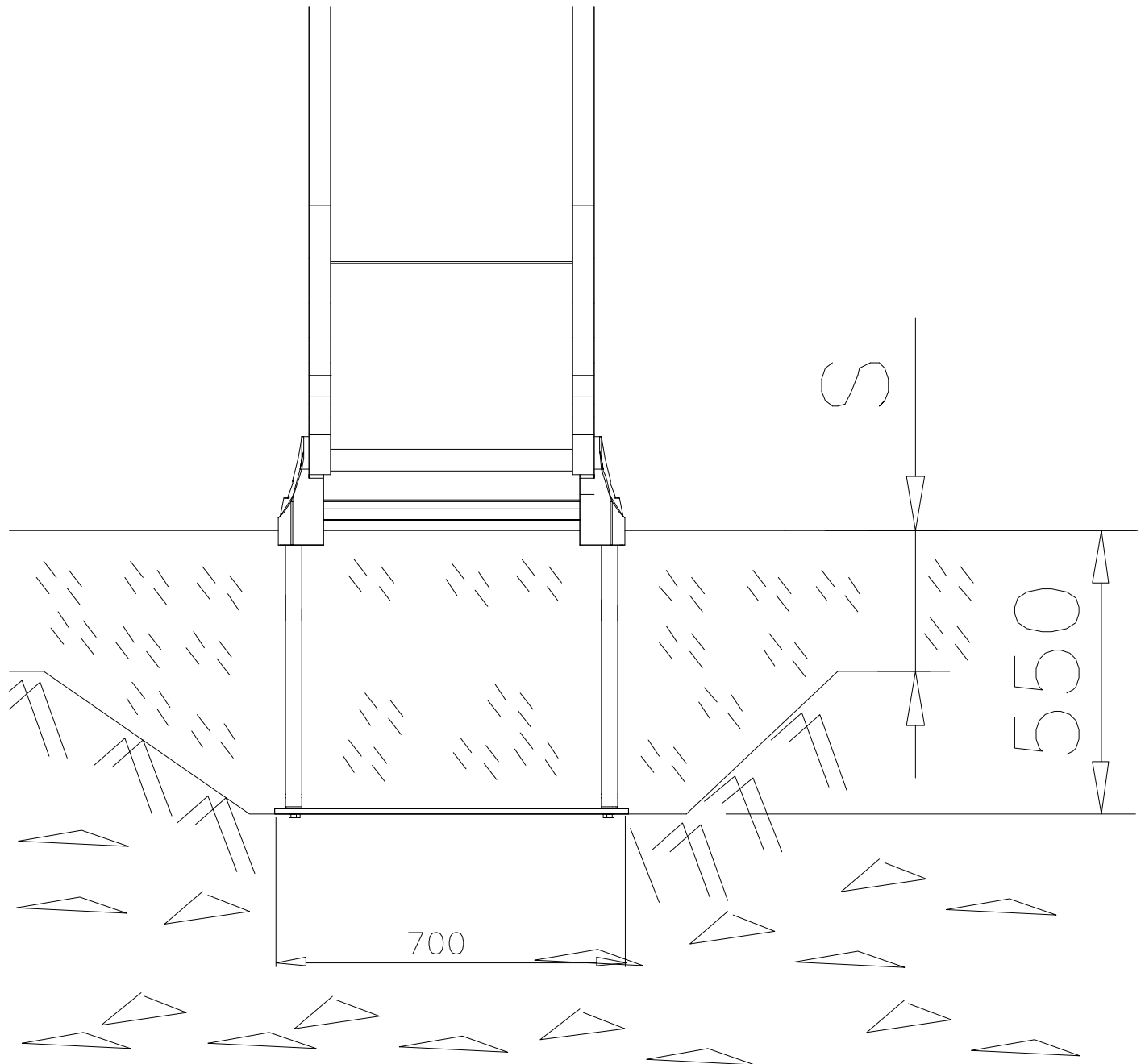
LAPPSET

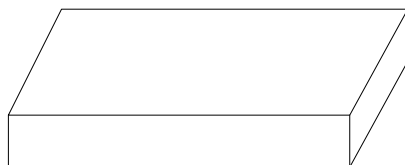
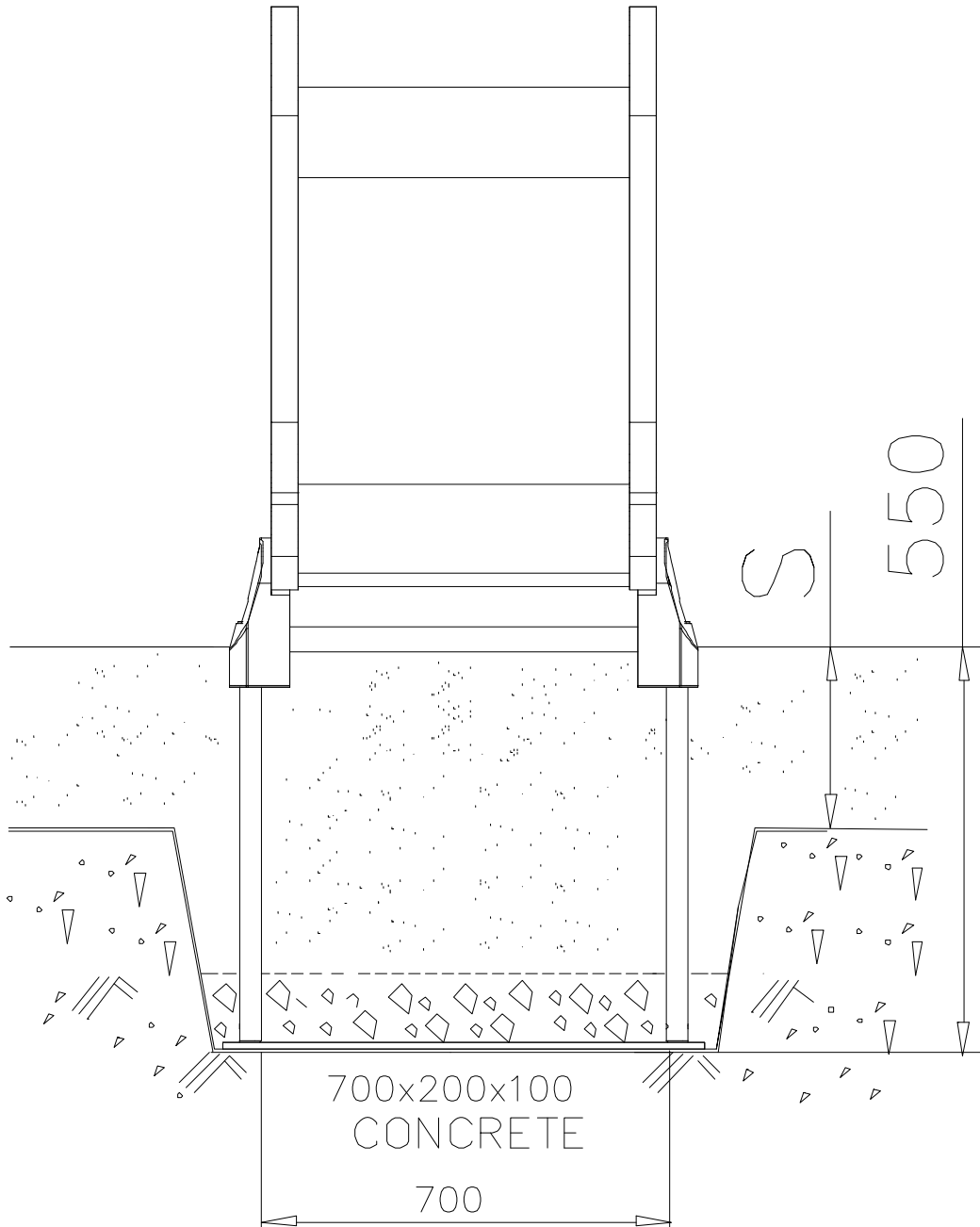
DEEP FOUNDATION

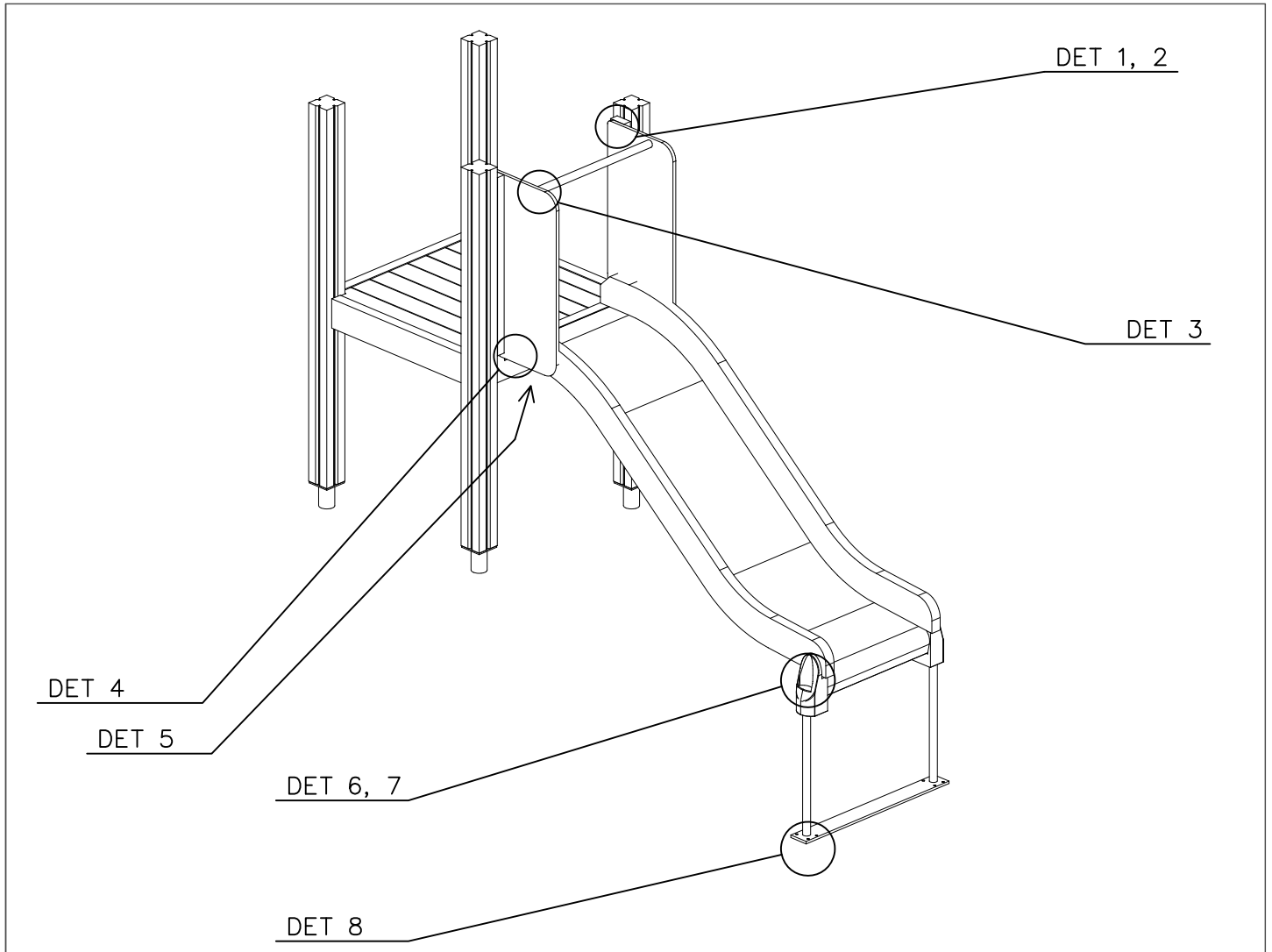
SLIDE WOOD

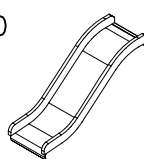
DATE: 22.5.2015


1(1)

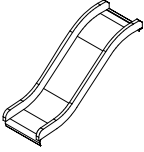
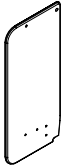

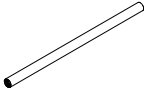
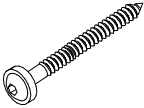
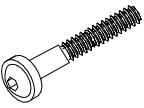
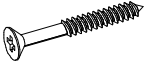
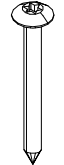



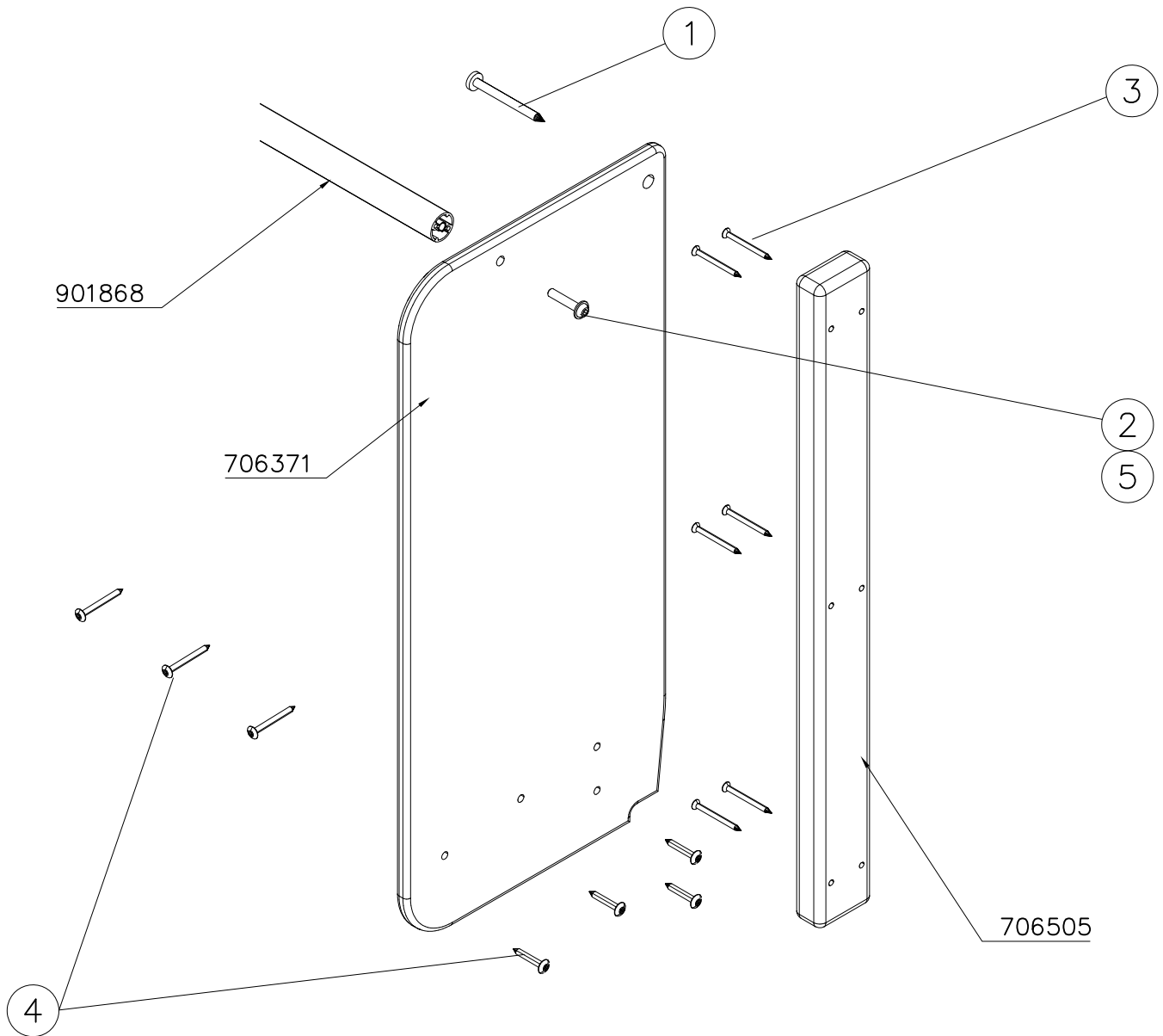


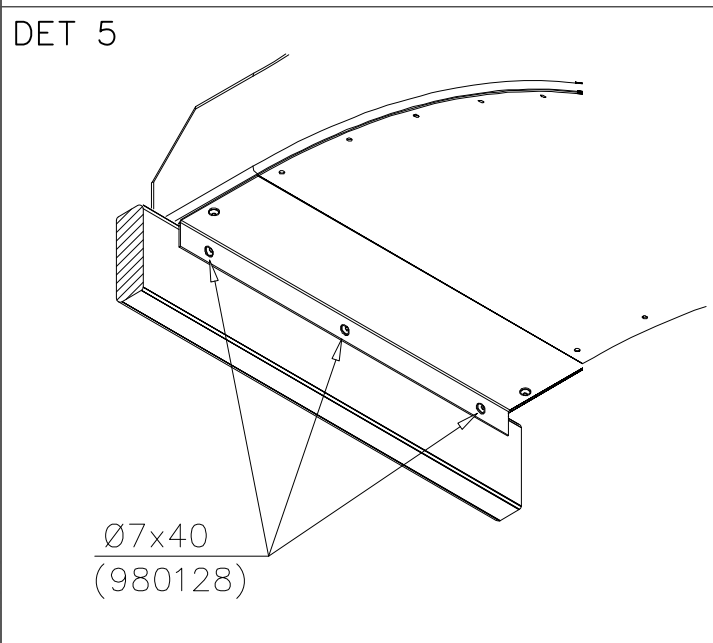
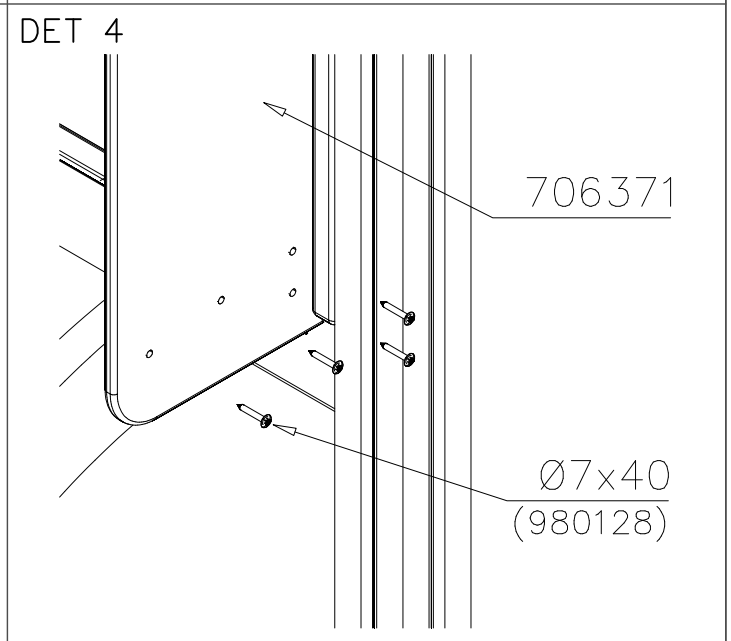
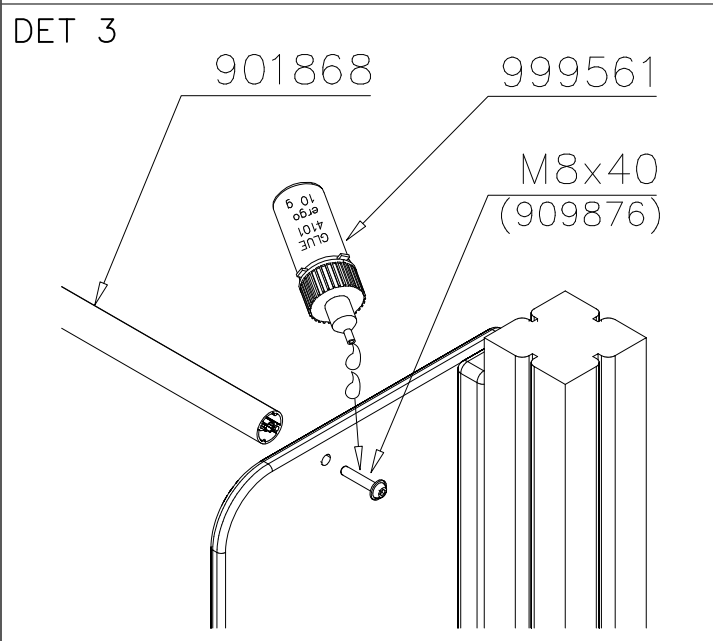
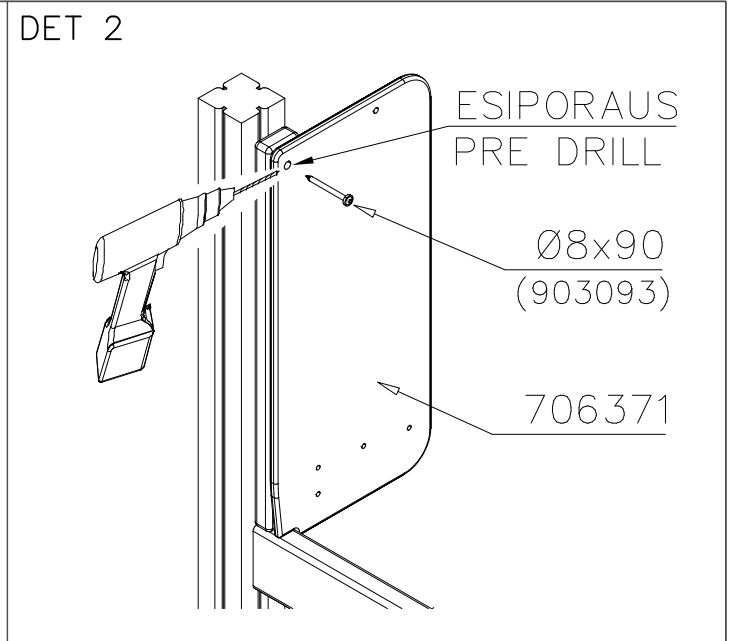
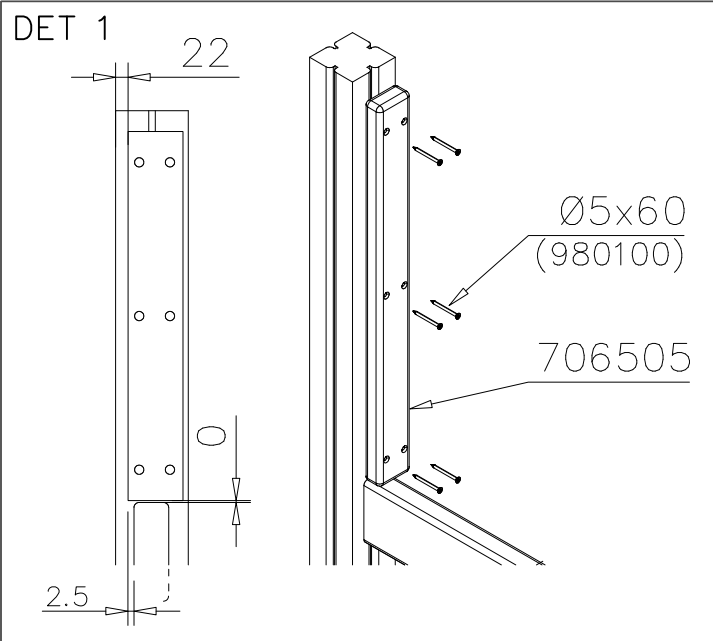


SLIDE OPTIONS		
+870 	706452-001 NATURAL 706452-614 FLORA BROWN	

WALL OPTIONS		
706371 	706371-707 GREEN	

○ SLIDE	PCS	○ 706371	PCS	○ 706505	PCS	○ 901868	PCS	① 903093	PCS	② 909876	PCS
	1		2		2		1		2		2
+870		15x345x750		35x70x730		Ø34x598		Ø8x90		M8x40	
③ 980100	PCS	④ 980128	PCS	⑤ 999561	PCS						
	12		11		1						
Ø5x60		Ø7x40		10g							





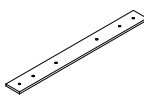
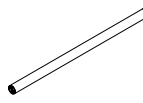

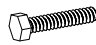
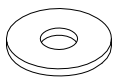
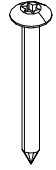
LAPPSET

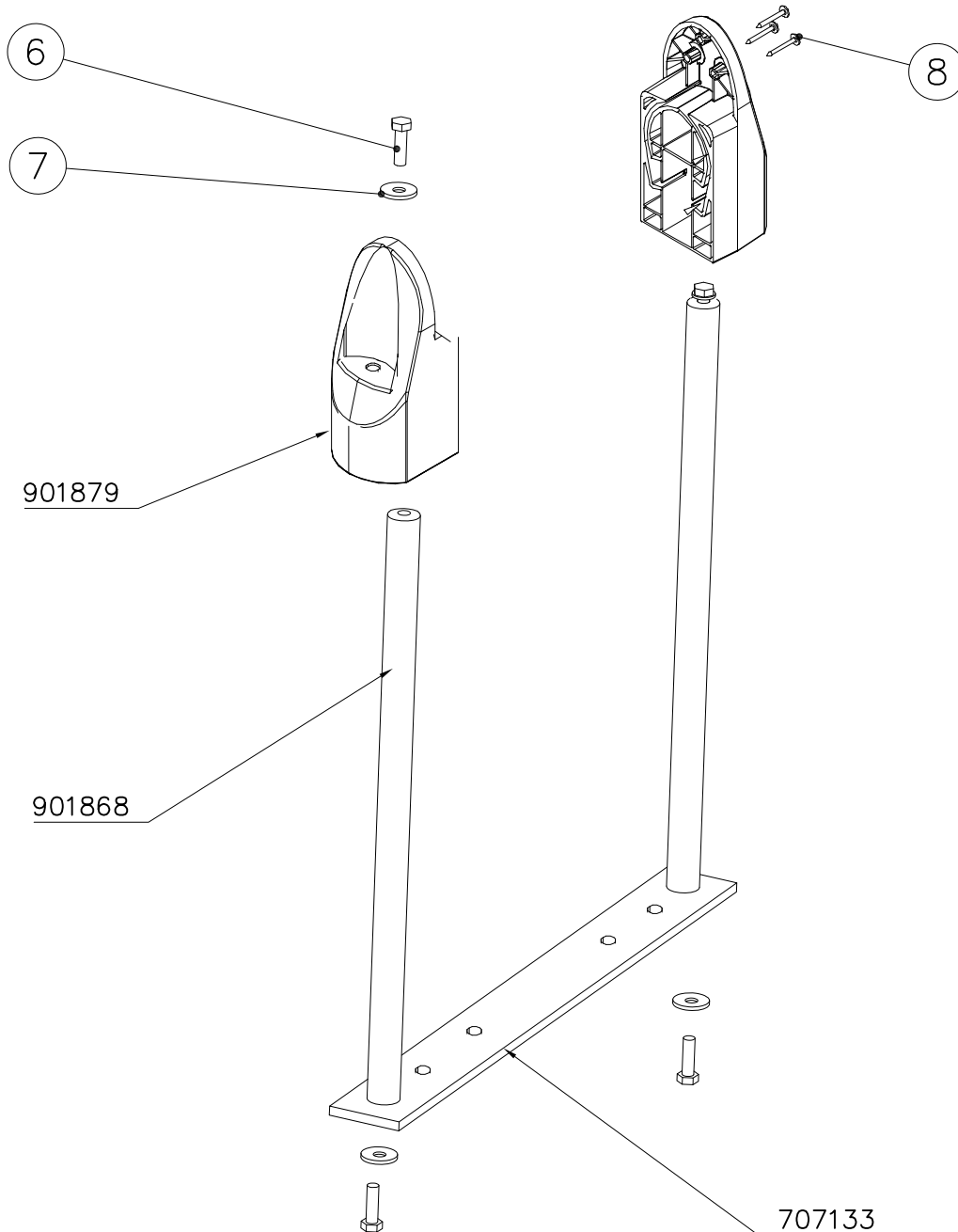
DEEP FOUNDATION

706234

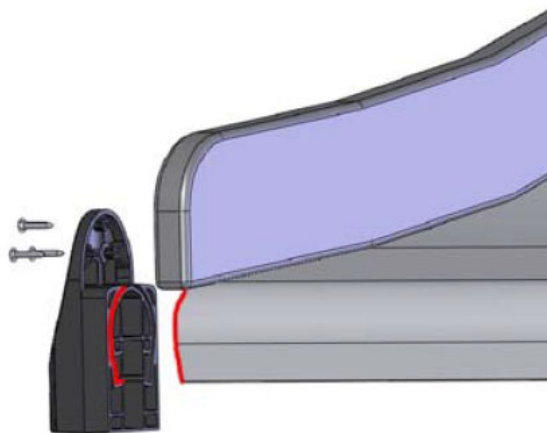
DATE: 6.10.2023

4(5)

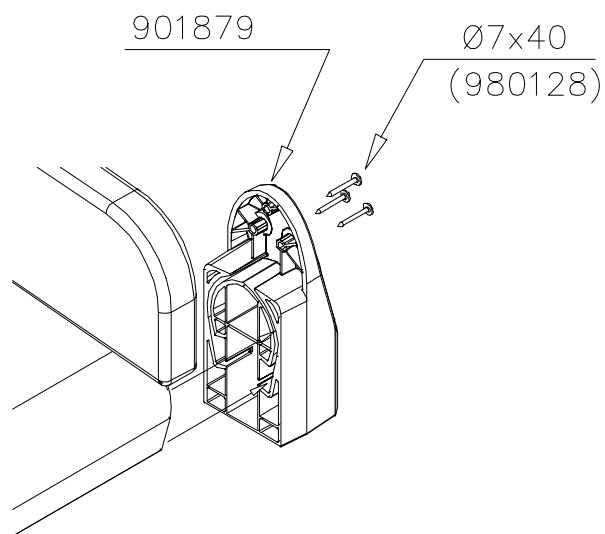
○ 707133	PCS	○ 901868	PCS	○ 901879	PCS	⑥ 909210	PCS	⑦ 905051	PCS	⑧ 980128	PCS
	1		2		2		4		4		6
10x80x745		Ø30x598				M8x40		Ø24/8.4		Ø7x40	



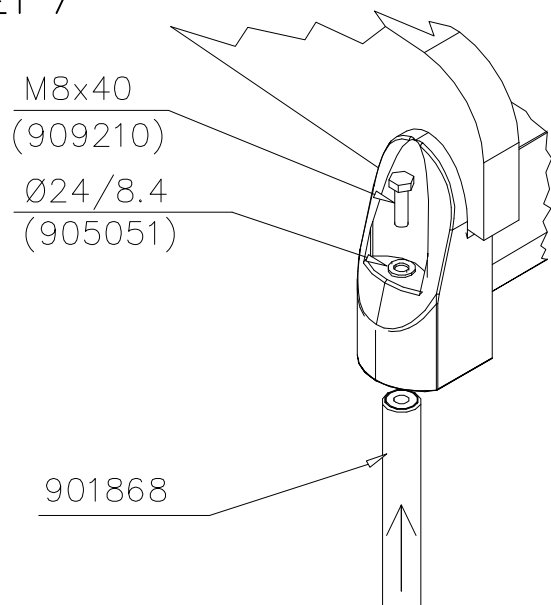
DET 6



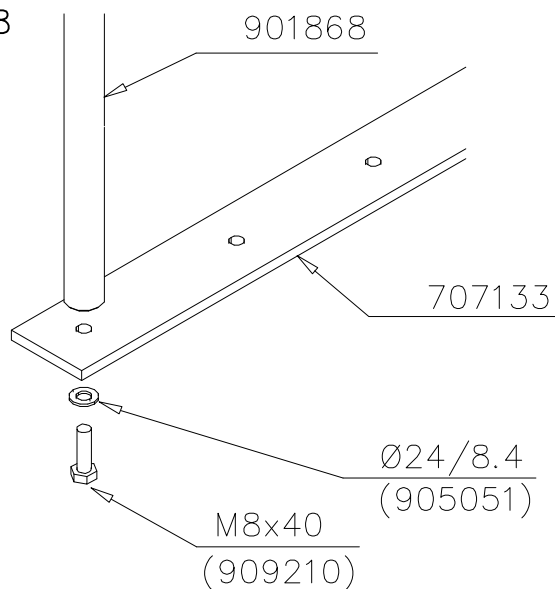
Insert sheet metal IN to the plastic cover.



DET 7



DET 8



DET 5, 6

1


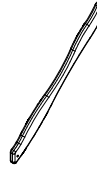


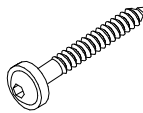

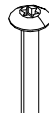
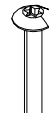
DET 2

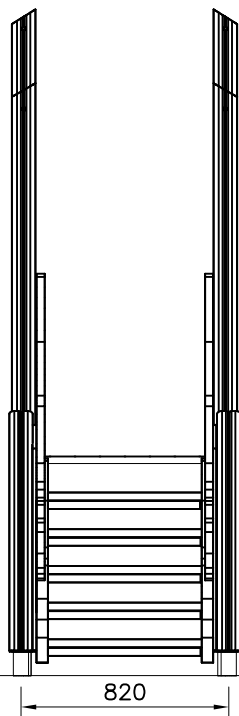
2

DET 1, 7

3

DET 1, 3, 4

① 706182	PCS	② 706183	PCS
	2		4
		32x95x999	
③ 711438	PCS	④ 706187	PCS
	2		1
		149x700x1089	
⑤ 900240	PCS	⑥ 903093	PCS
	6		8
Ø8x70		Ø8x90	
⑦ 980123	PCS	⑧ 980128	PCS
	6		3
Ø7x60		Ø7x40	
	PCS		PCS



+870

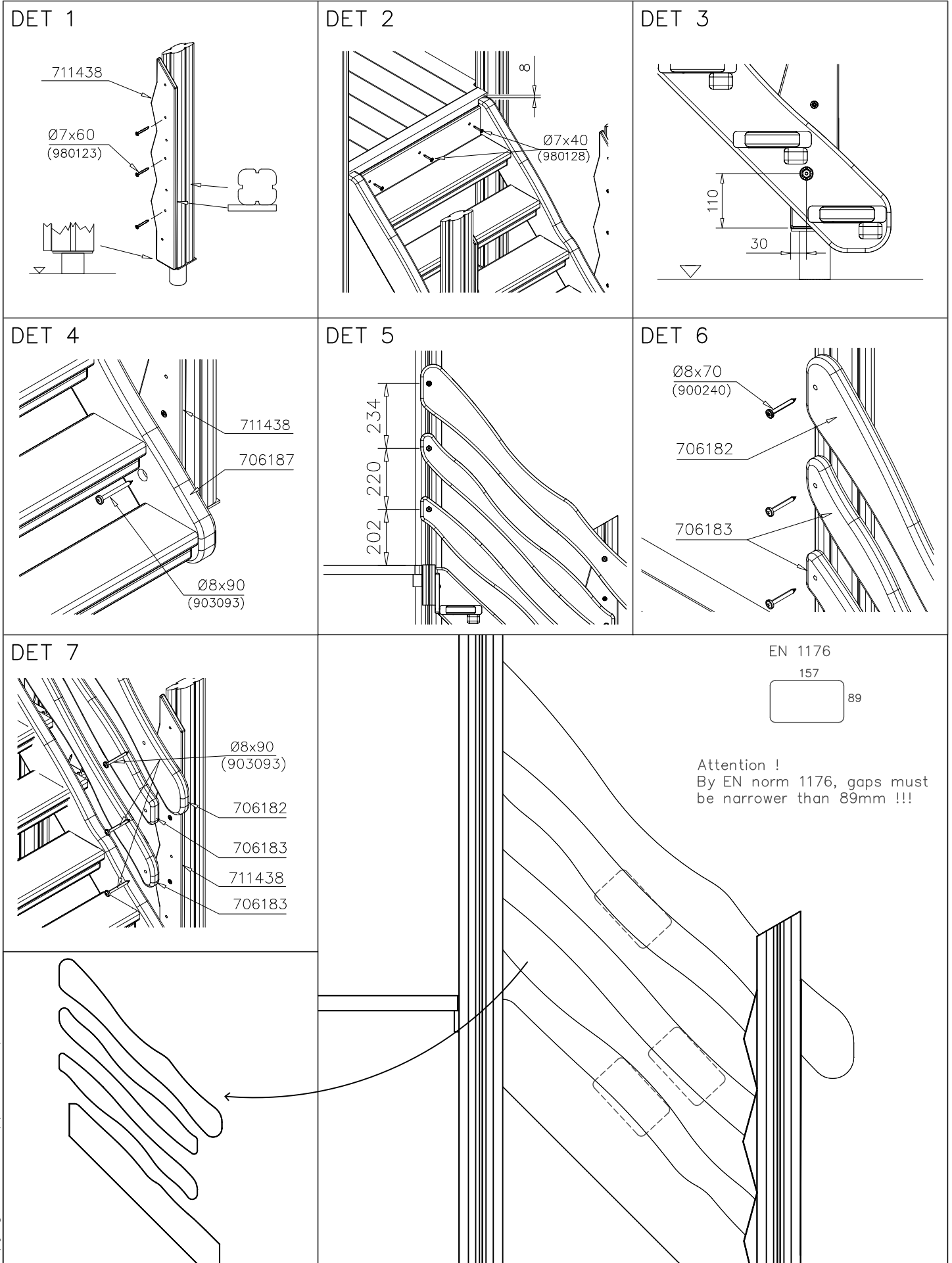
100

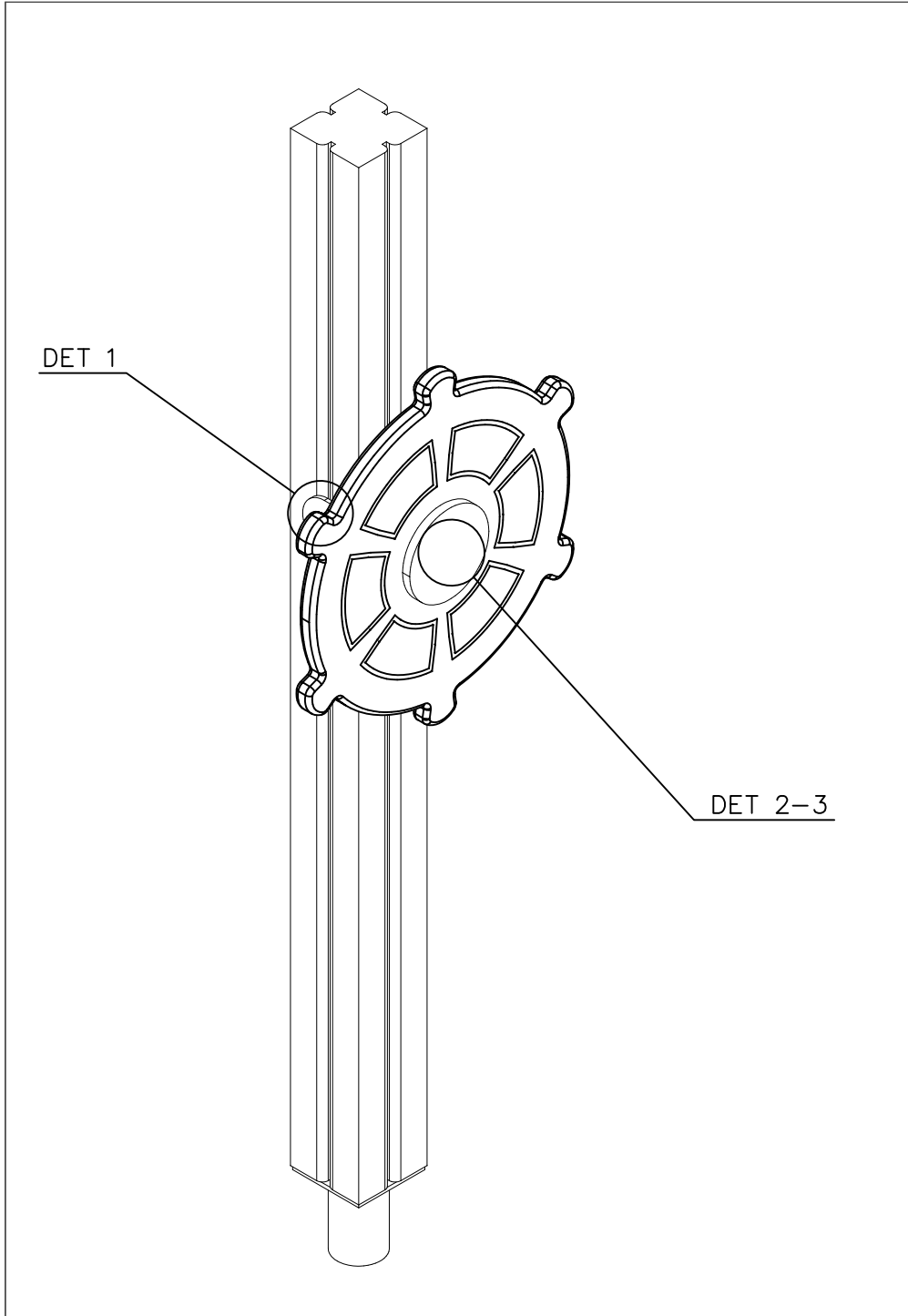
+0

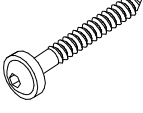
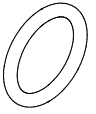
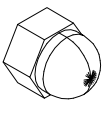
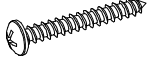

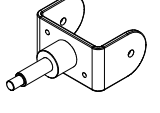
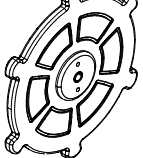
820

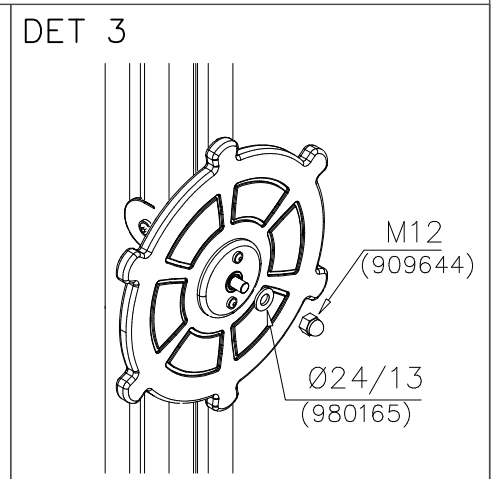
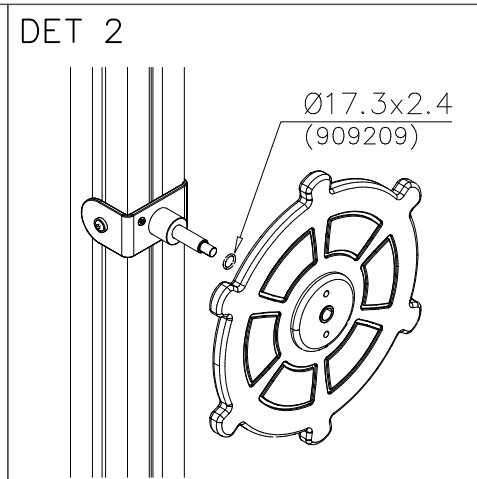
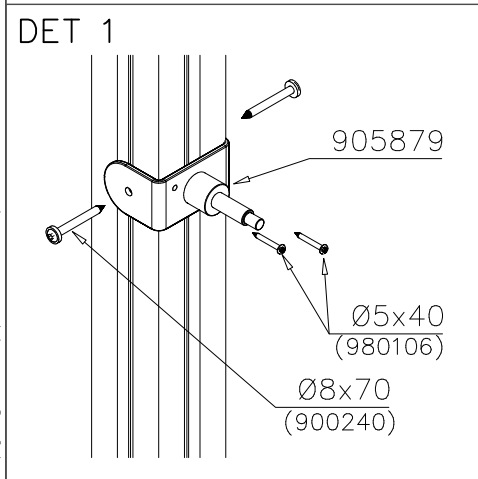
635

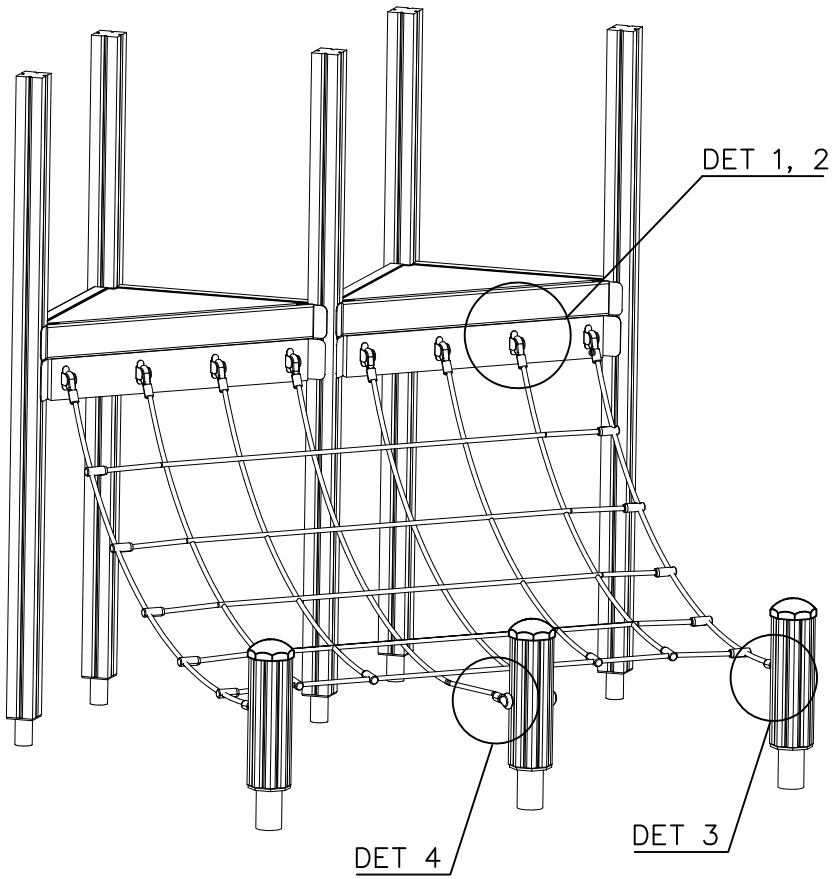
+1050







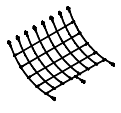


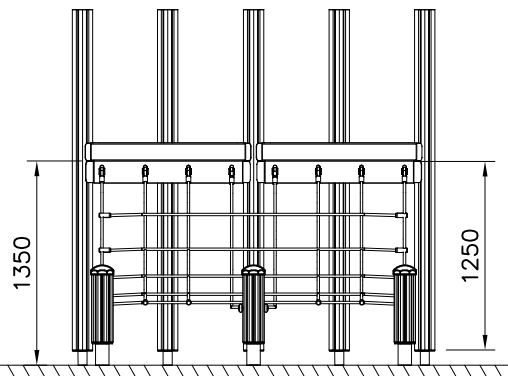
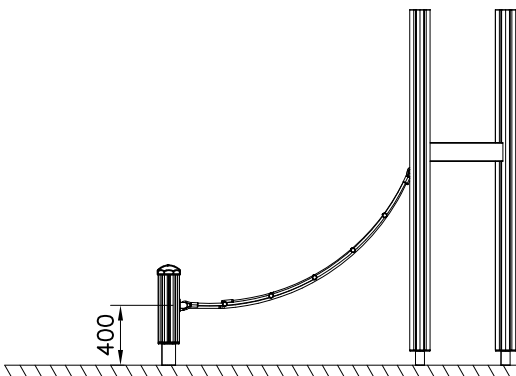


① 900240	PCS	② 909209	PCS
	2		1
Ø8x70		Ø17.3x2.4	
③ 909644	PCS	④ 980106	PCS
	1		2
M12		Ø5x40	
⑤ 980165	PCS	○ 905879	PCS
	1		1
Ø24/13x3			
○ 707320	PCS		PCS
	1		

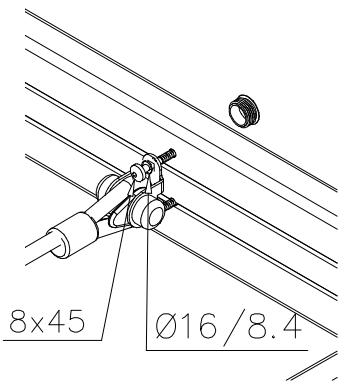




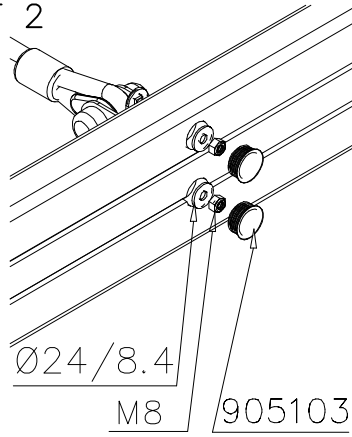
① 901899	PCS	② 905051	PCS
	16		16
M8x45		Ø24/8.4	
③ 980150	PCS	④ 905103	PCS
	16		16
M8		PT-28/32-H	
⑥ 903093	PCS	⑦ 909256	PCS
	6		20
Ø8x90		Ø16/8.4	
	PCS	⑧ 707600	PCS
			1
		2000x1850	



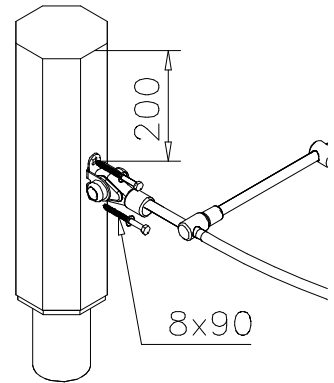
DET 1



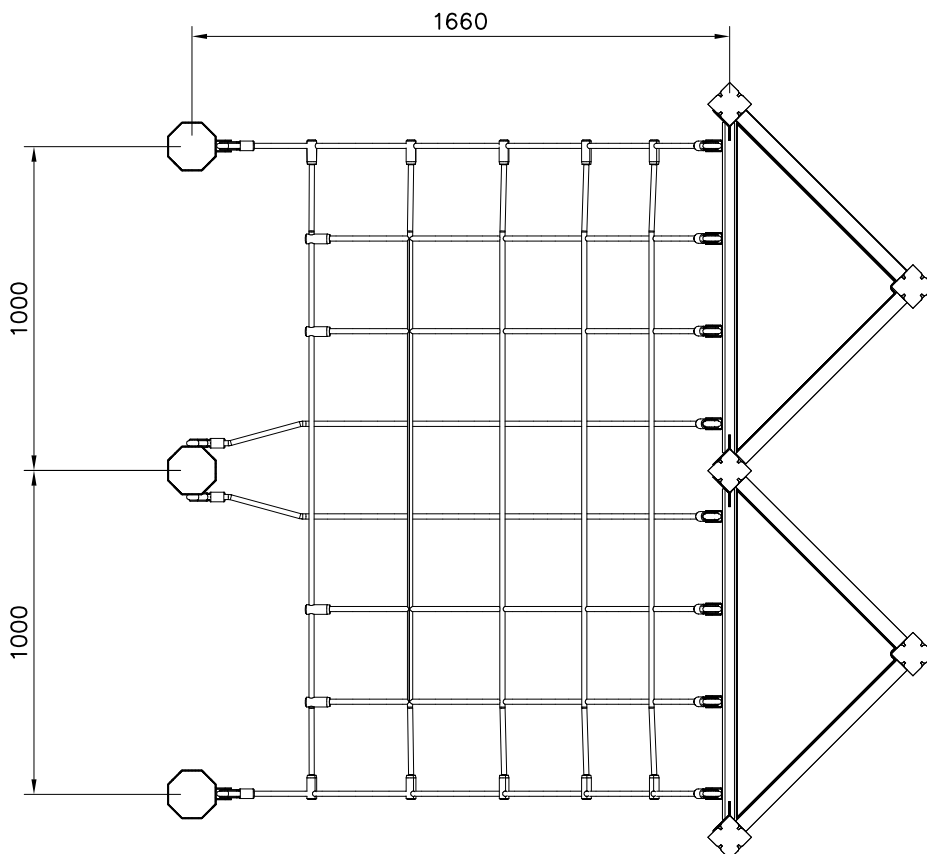
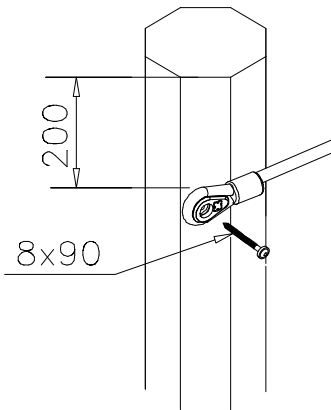
DET 2

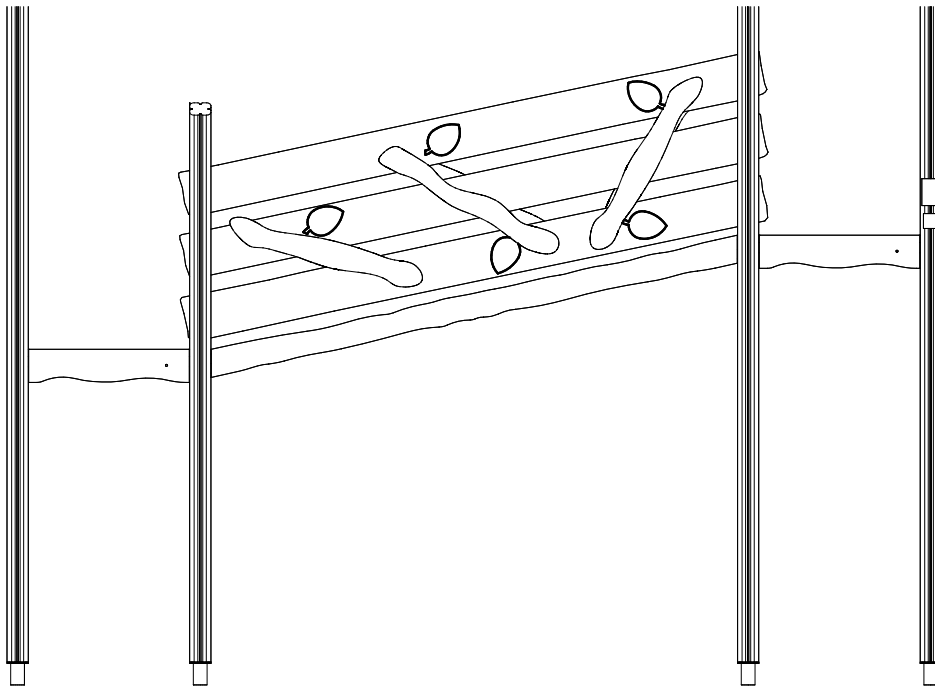
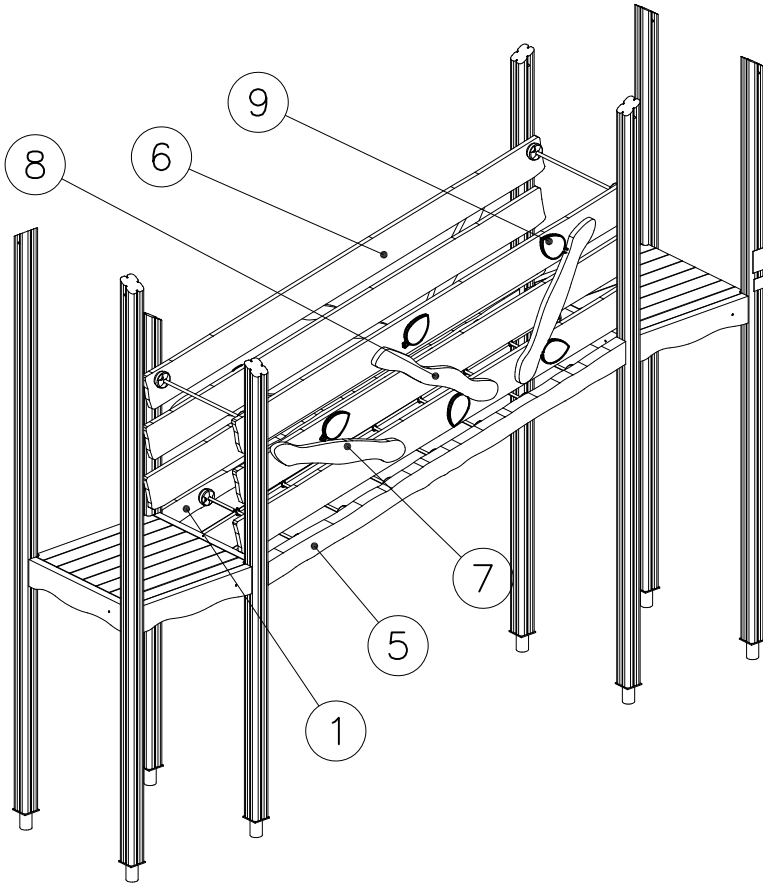


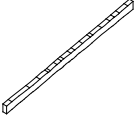
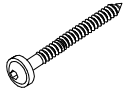
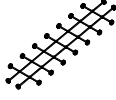
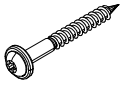
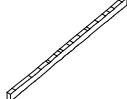




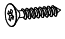

DET 3

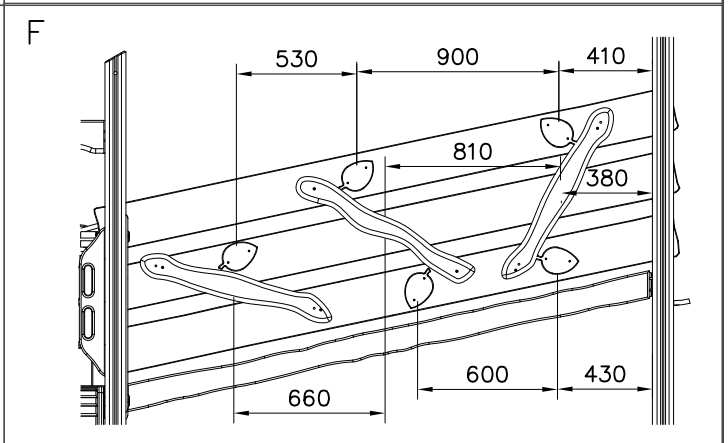
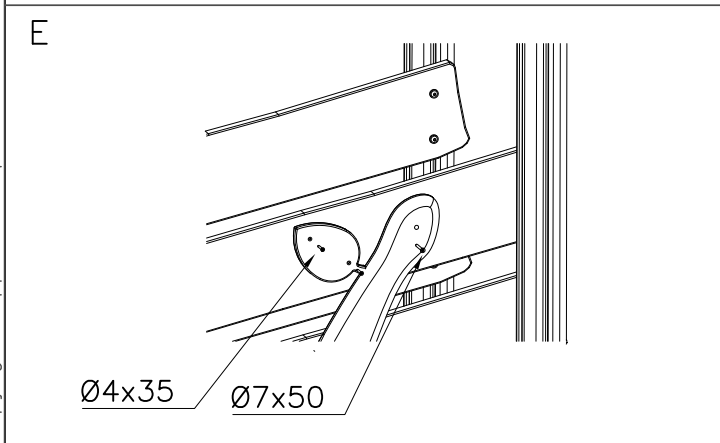
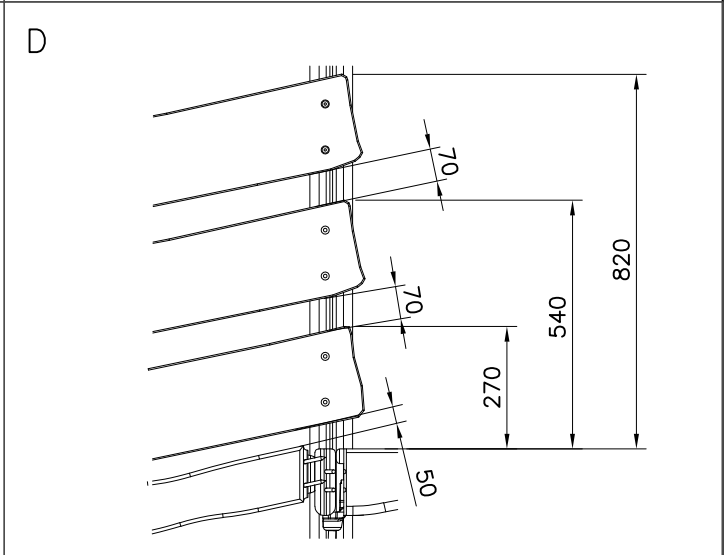
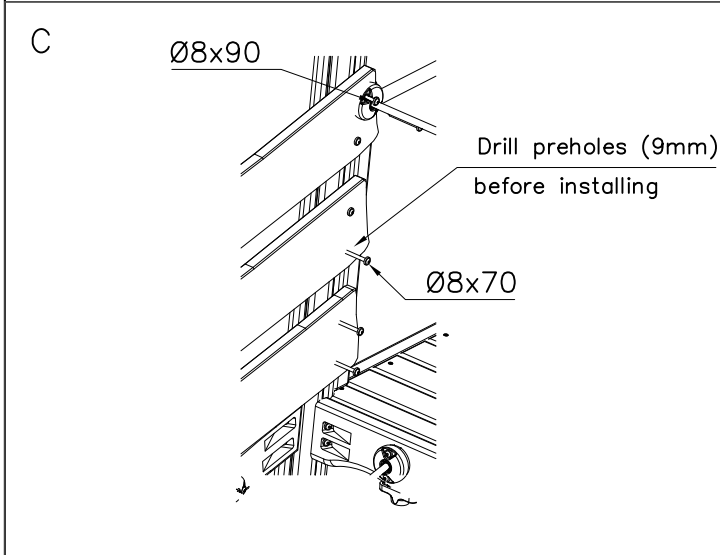
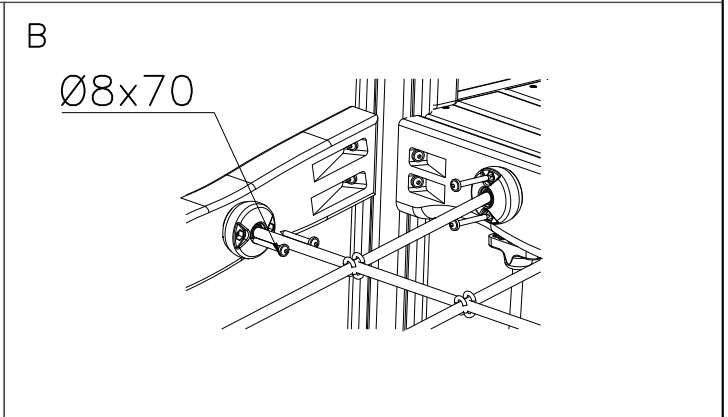
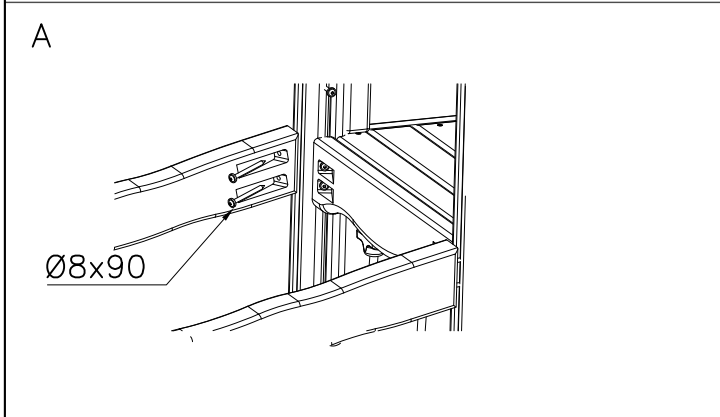
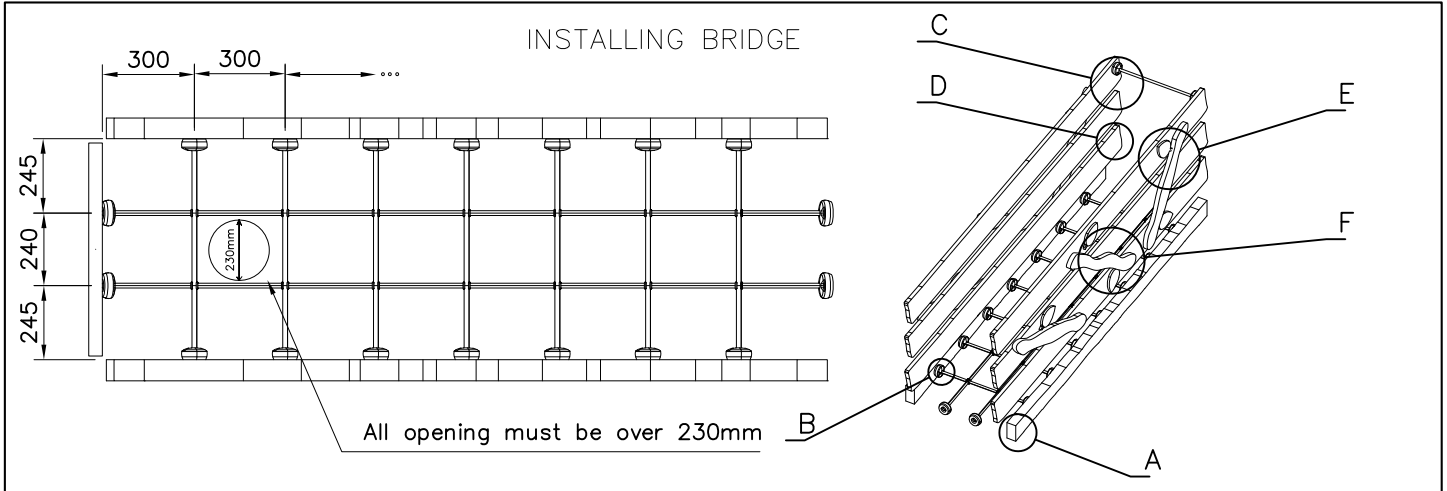


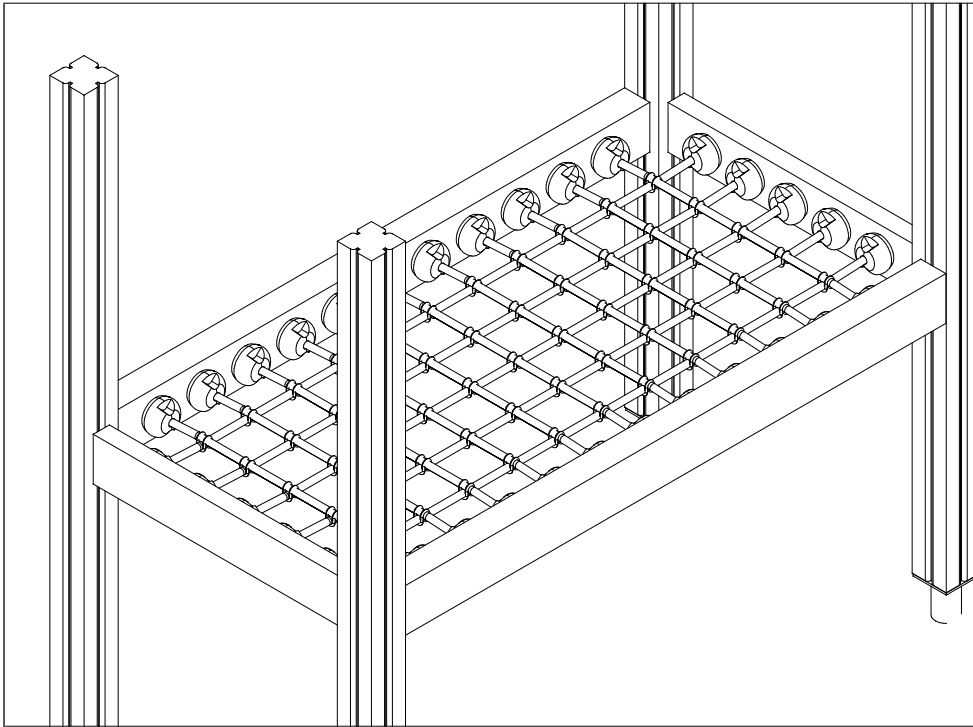
DET 4

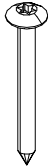

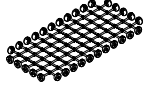


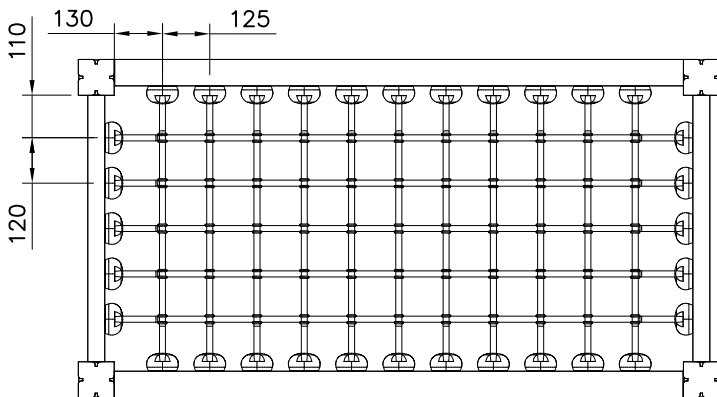


① 710488	PCS	② 903093	PCS
	1		8
68x120x2400		Ø8x90	
③ 708694	PCS	④ 900240	PCS
	1		60
730x2405		Ø8x70	
⑤ 710489	PCS	⑥ 708701	PCS
	1		6
68x120x2400		28x200x2555	
⑦ 705208	PCS	⑧ 705209	PCS
	4		2
32x120x880		32x120x880	
⑨ 708710	PCS	⑩ 980110	PCS
	10		20
		Ø4x35	
	PCS	⑪ 980125	PCS
			12
		Ø7x50	
	PCS		PCS
	PCS		PCS

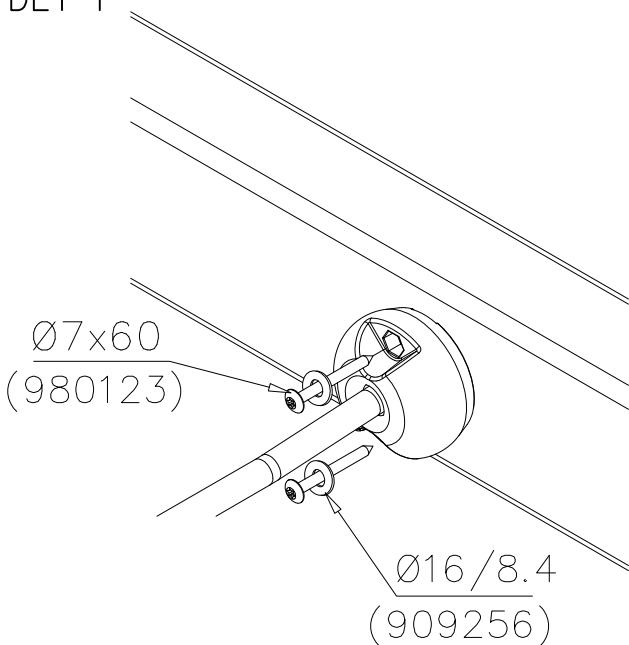


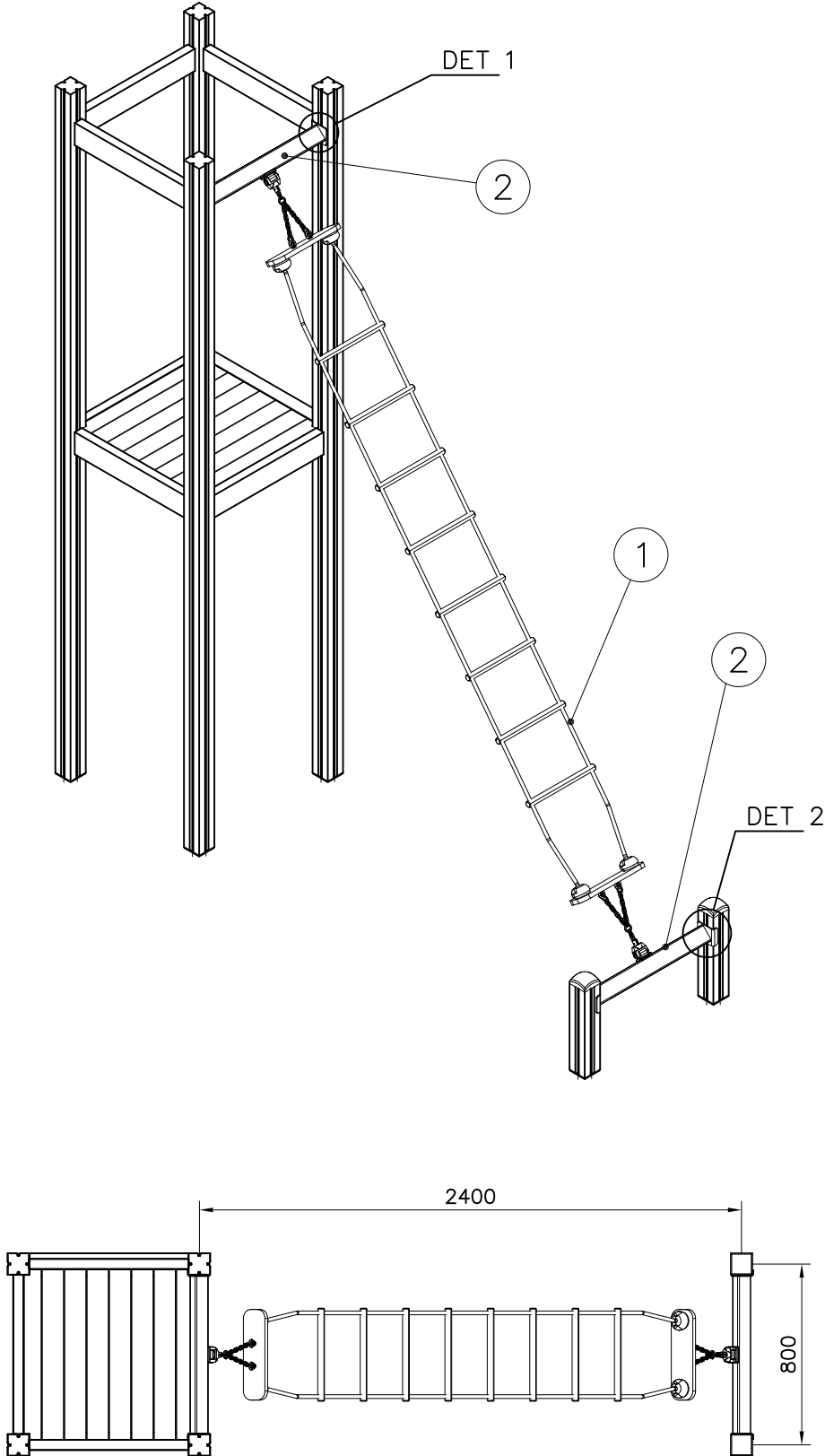



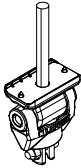

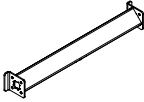
① 980123	PCS	② 909256	PCS
	64		64
Ø7x60		Ø16/8.4	
	PCS	③ 707595	PCS
			1
		755x1555	
	PCS		PCS
	PCS		PCS
	PCS		PCS

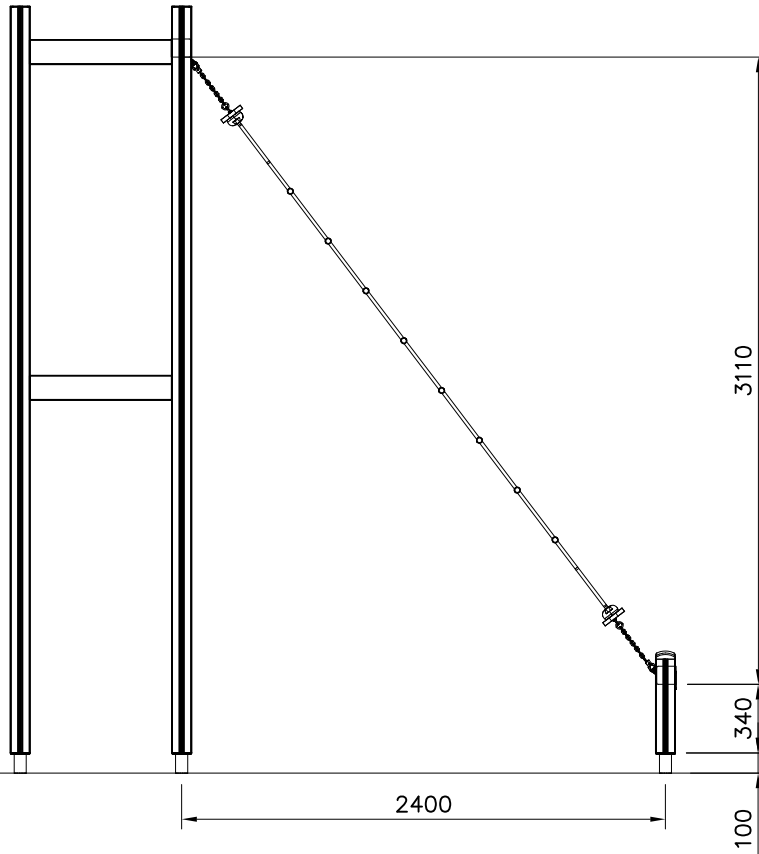


DET 1

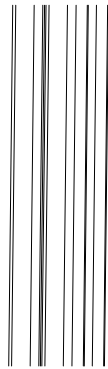
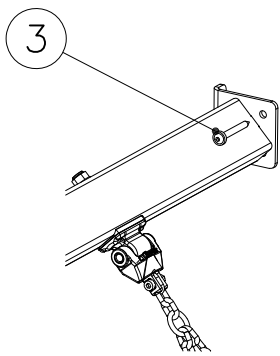




① 707113	PCS	② 904904	PCS
	1		2
③ 900240	PCS	④ 908226	PCS
	8		2
Ø8x70		90x96,5x704	
	PCS		PCS
	PCS		PCS
	PCS		PCS
	PCS		PCS
	PCS		PCS
	PCS		PCS

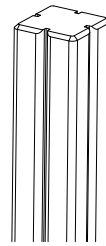
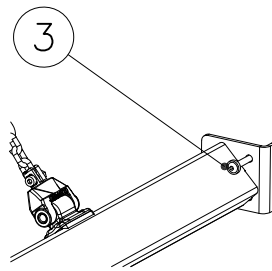


DET 1



NOTE:
Pre-Drill hole
for screw
Ø5 ∇50

DET 2



NOTE:
Pre-Drill hole
for screw
Ø5 ∇50

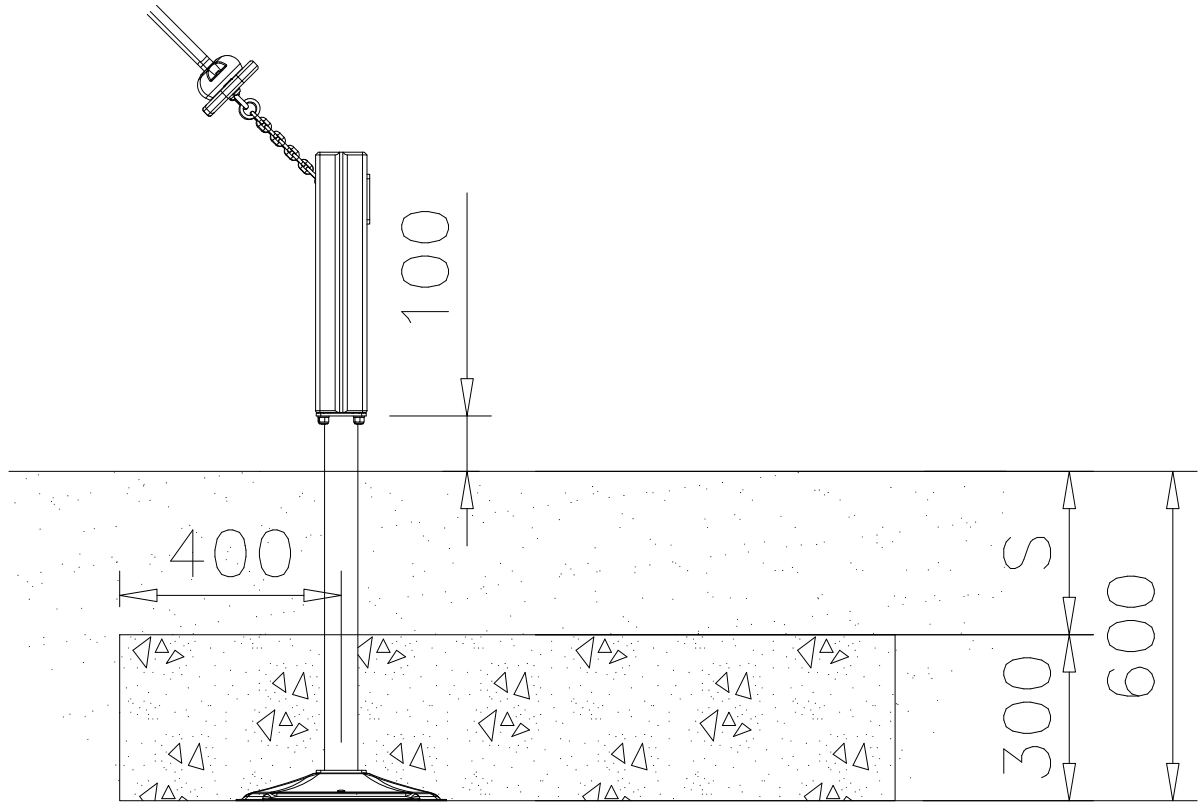
DET 3

DET 4

DET 5

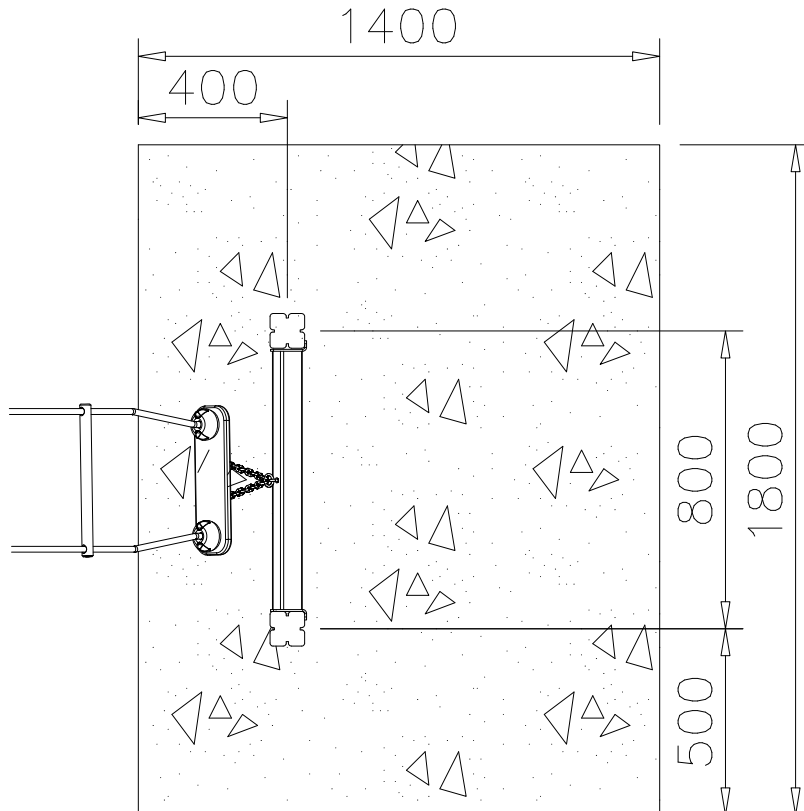
DET 6

DEEP FOUNDATION



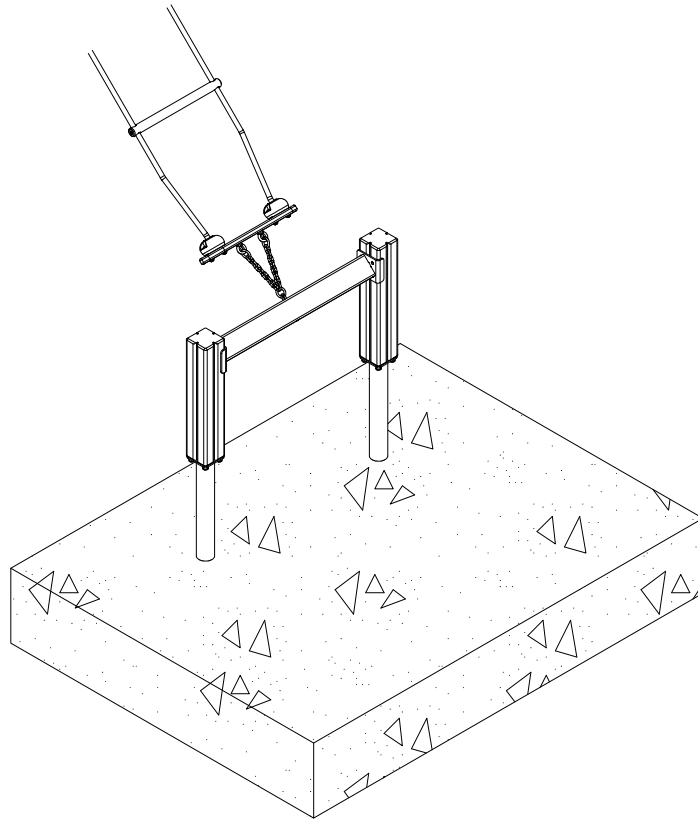
CONCRETE: 300x1400x1800

DEEP FOUNDATION



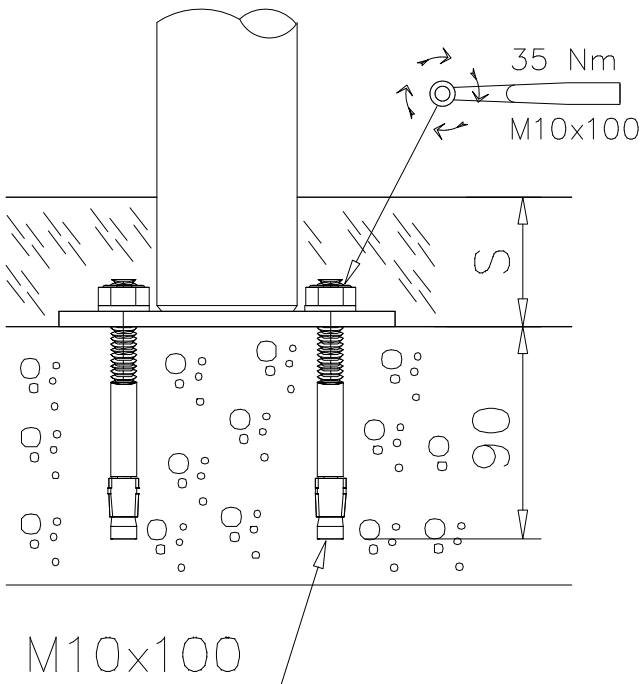
CONCRETE: 300x1400x1800

DEEP FOUNDATION

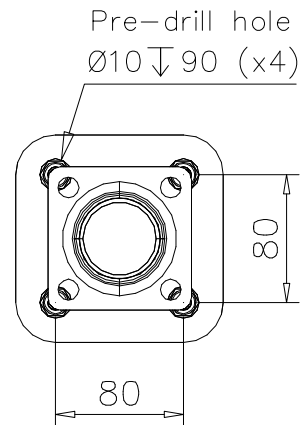


CONCRETE: 300x1400x1800

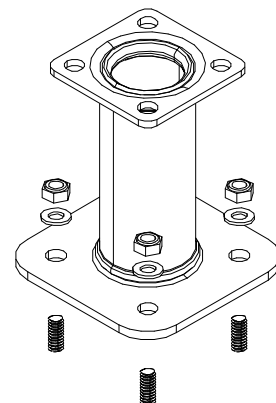
SURFACE FOUNDATION

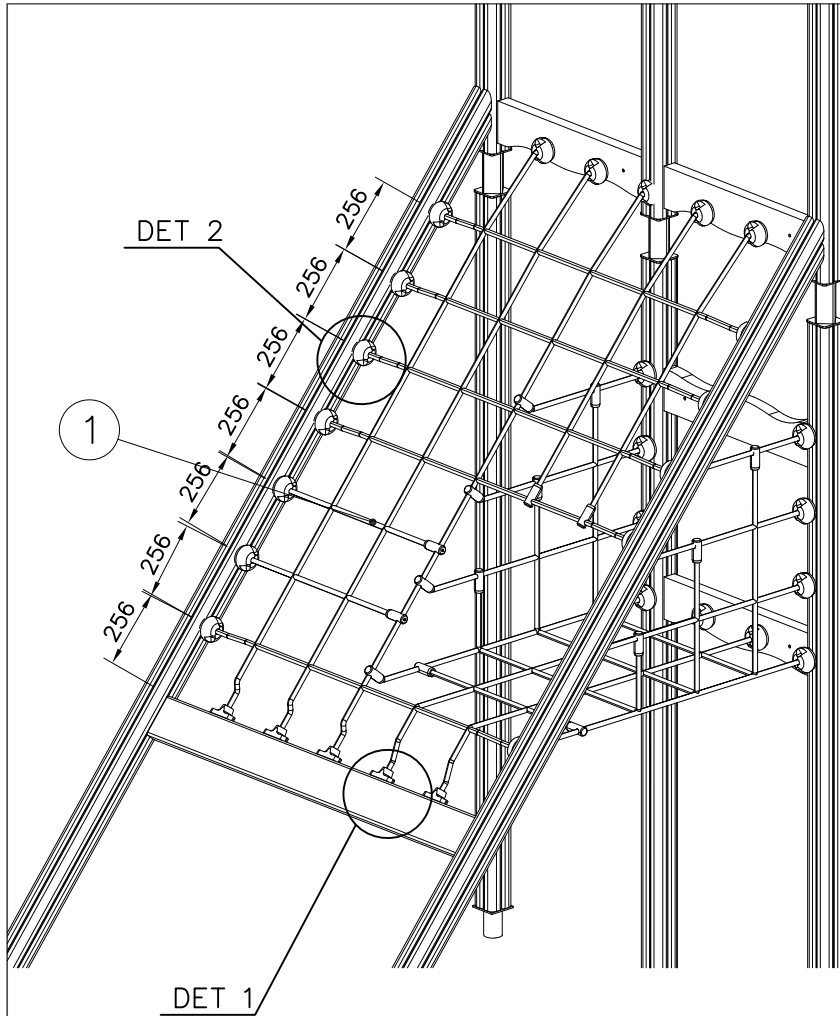


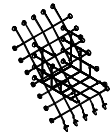
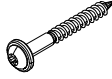


SURFACE FOUNDATION

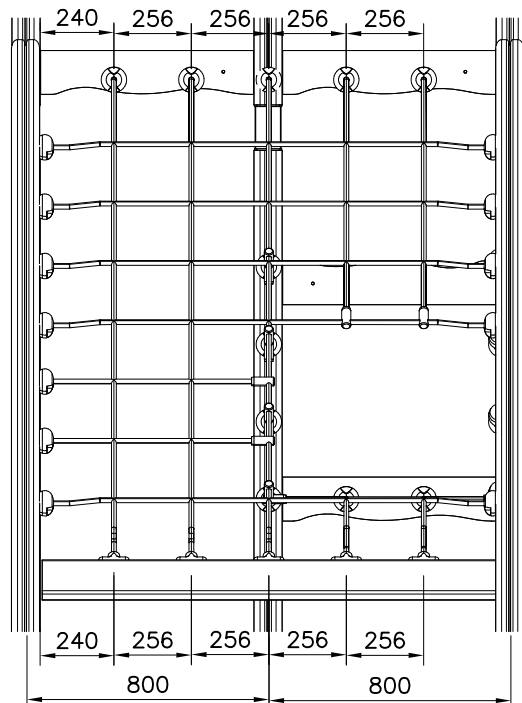
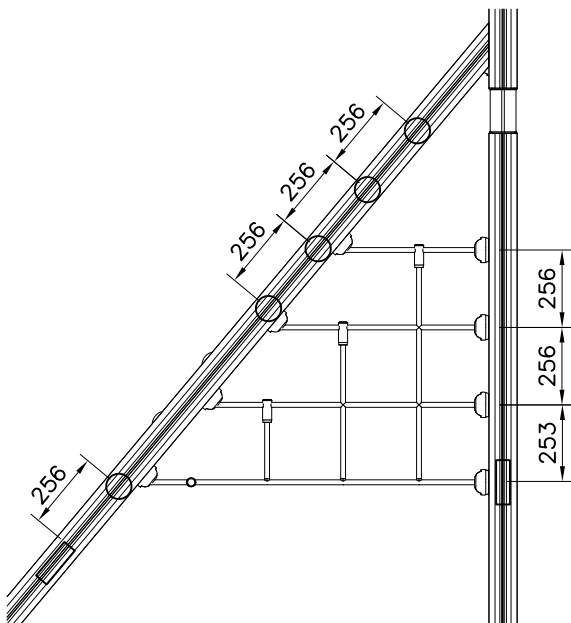


SURFACE FOUNDATION

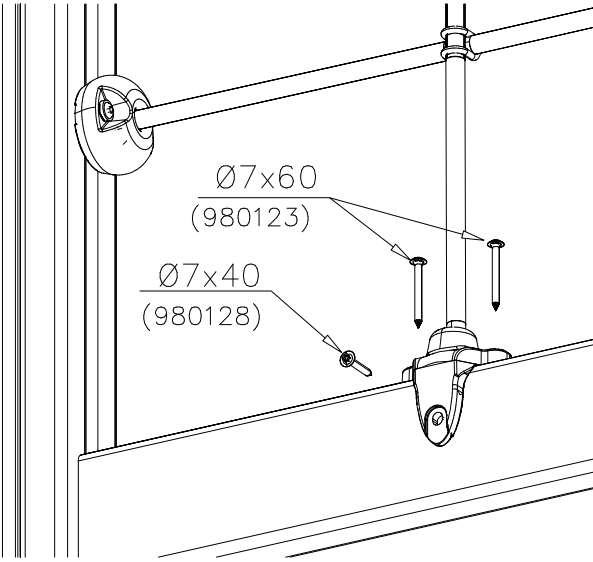




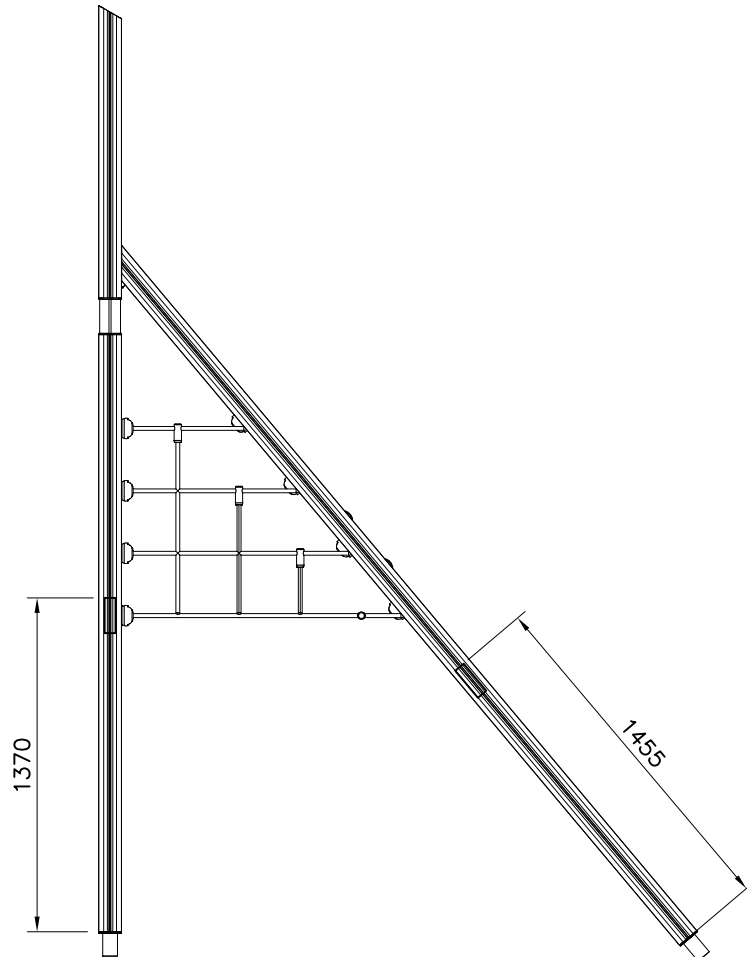
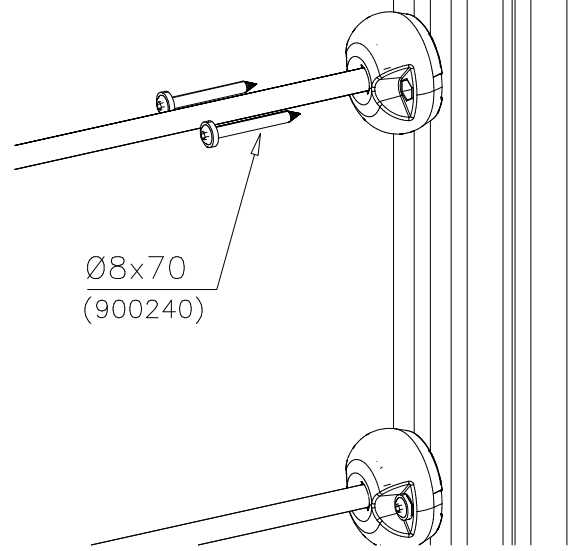
① 708756	PCS	② 900240	PCS
	1		62
1510x1800		Ø8x70	
③ 980128	PCS	④ 980123	PCS
	5		10
Ø7x40		Ø7x60	
	PCS		PCS
	PCS		PCS

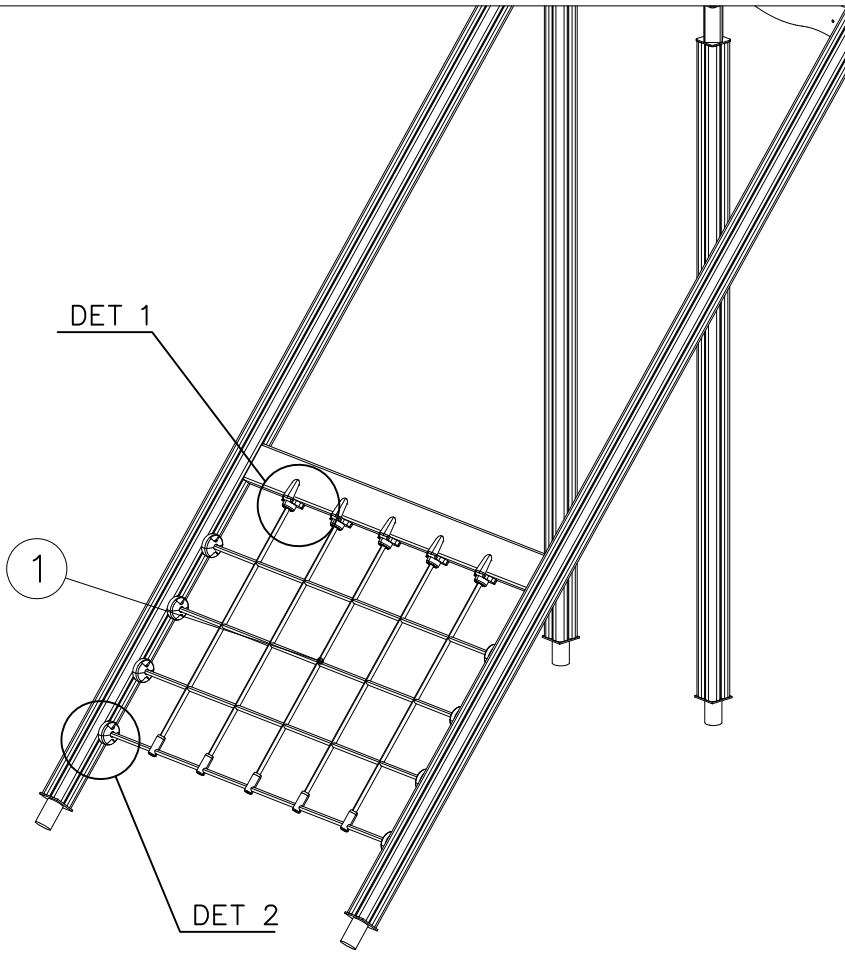



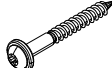


DET 1

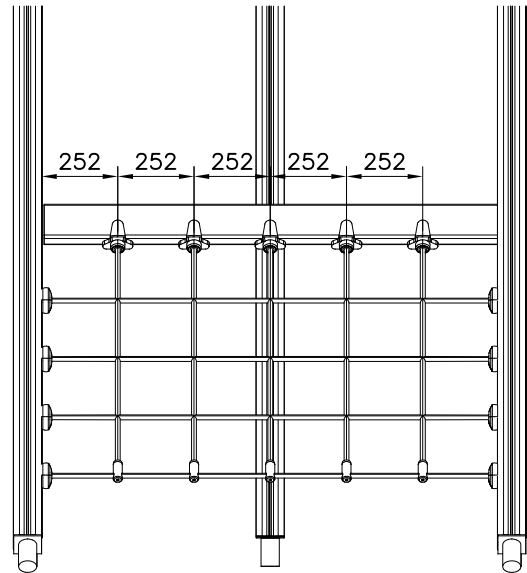
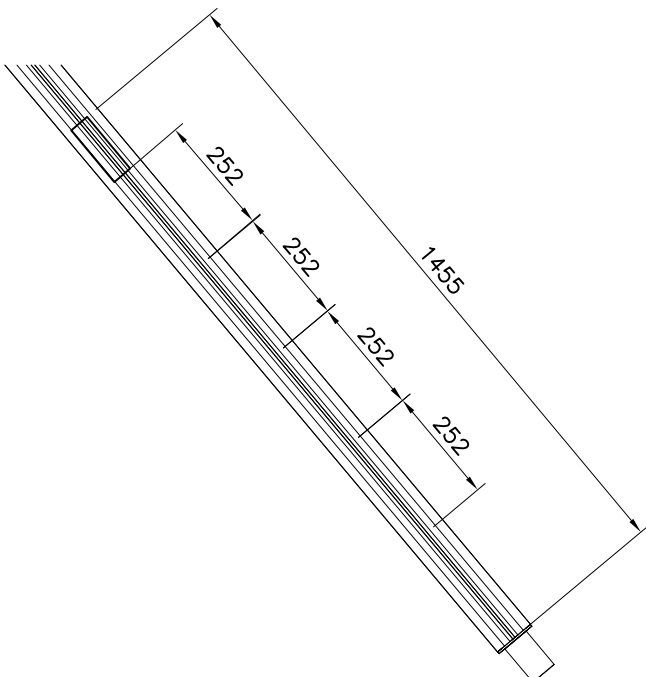


DET 2

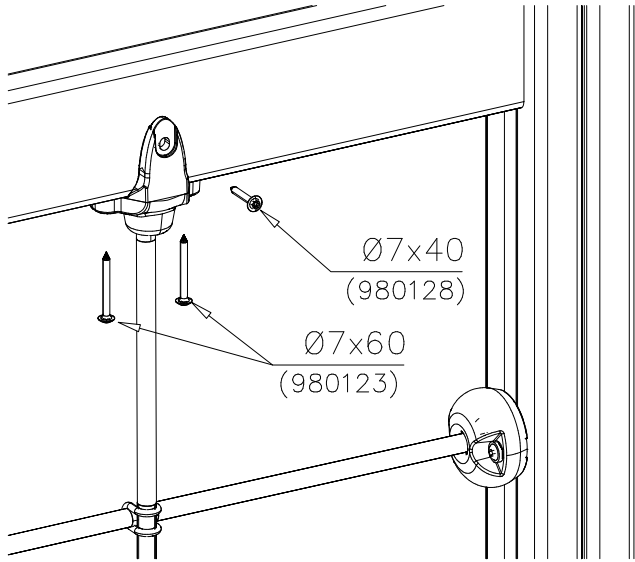




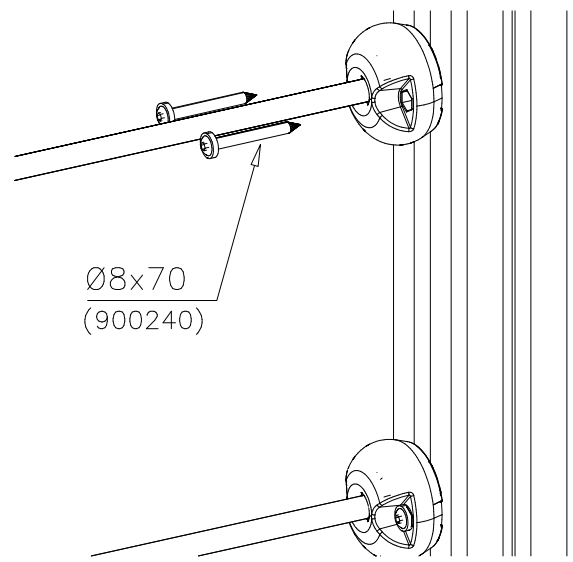
① 709475	PCS	② 900240	PCS
	1		16
		Ø8x70	
③ 980128	PCS	④ 980123	PCS
	5		10
Ø7x40		Ø7x60	
	PCS		PCS
	PCS		PCS

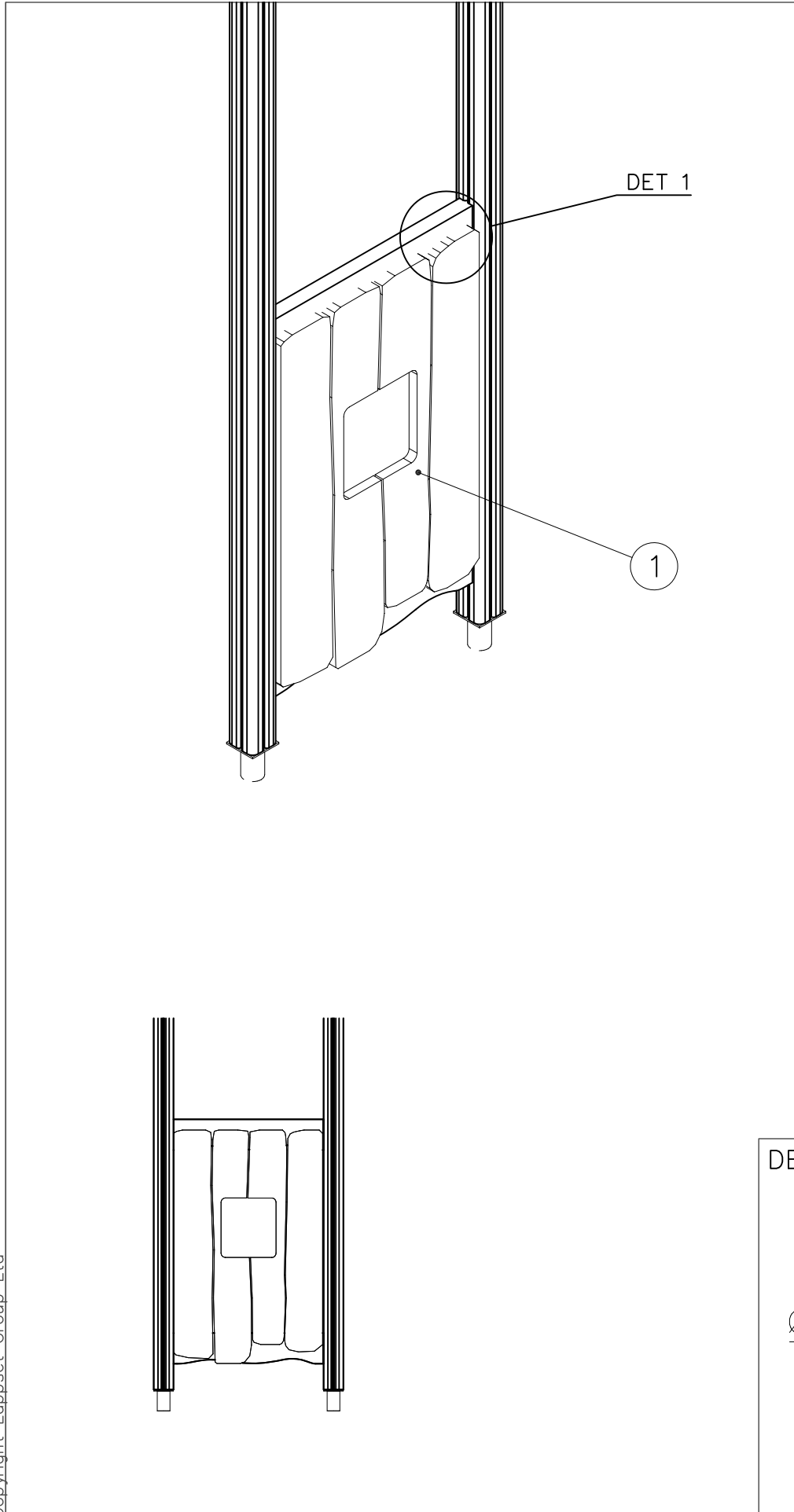


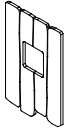
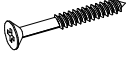
DET 1

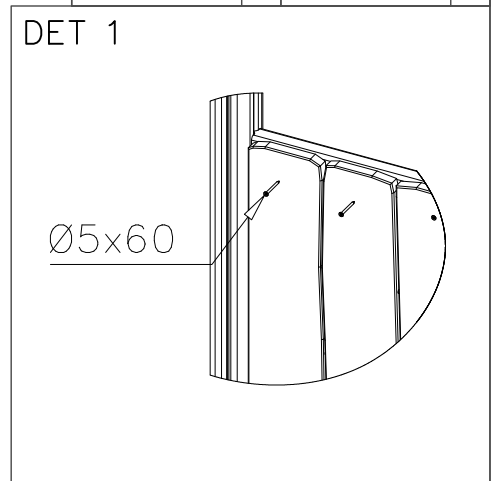


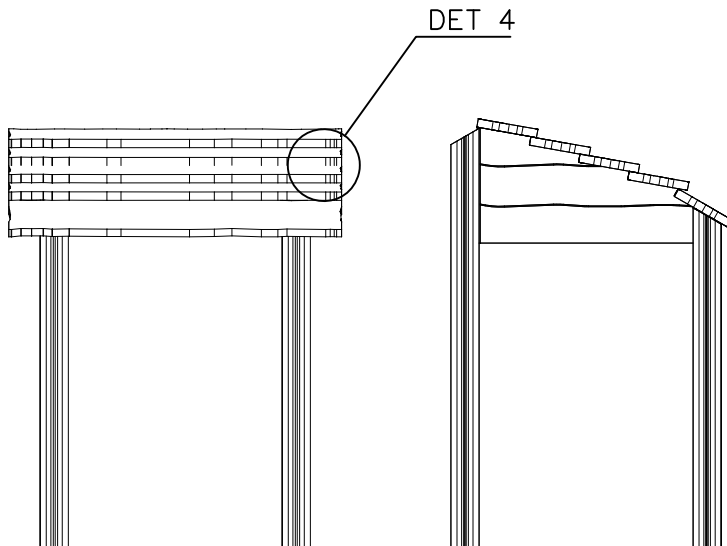
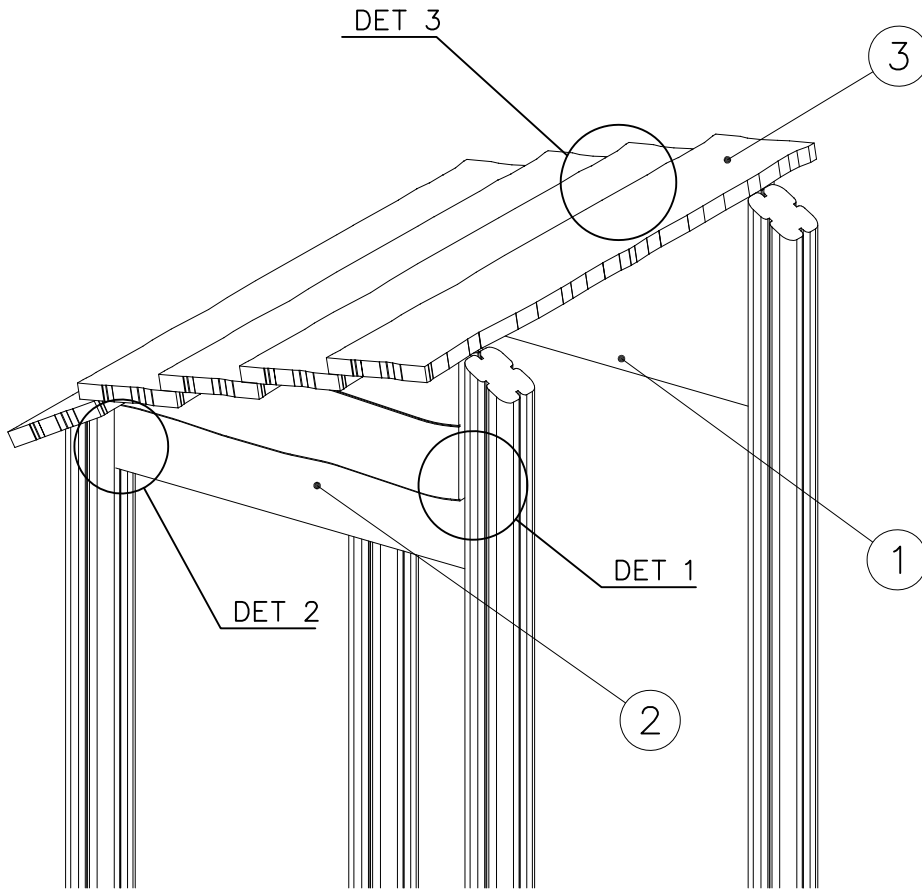
DET 2

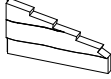
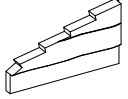


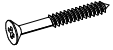




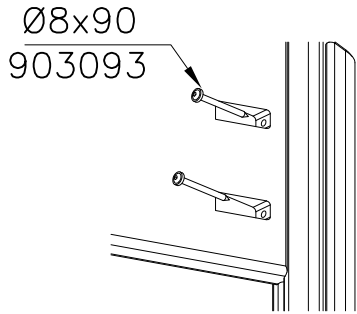
① 708595	PCS	② 980100	PCS
	1		16
700x1100		Ø5x60	
	PCS		PCS
	PCS		PCS
	PCS		PCS
	PCS		PCS



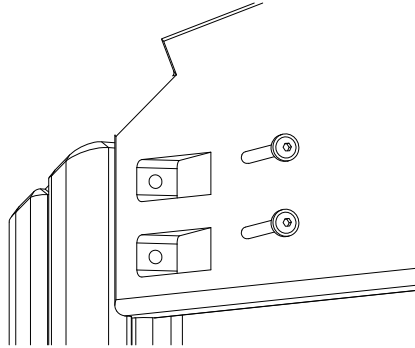


① 708696	PCS	② 708681	PCS
	1		1
68x385x725		68x385x725	
③ 708370	PCS	④ 903093	PCS
	5		8
28x200x1100		Ø8x90	
	PCS	⑤ 980100	PCS
			20
		Ø5x60	
	PCS		PCS
	PCS		PCS
	PCS		PCS

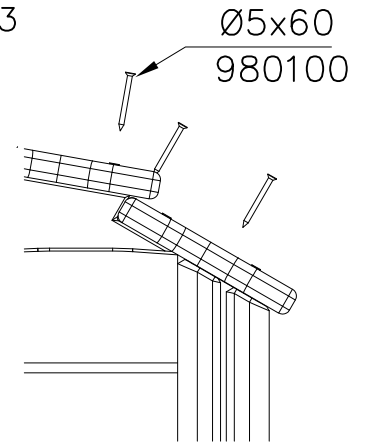
DET 1



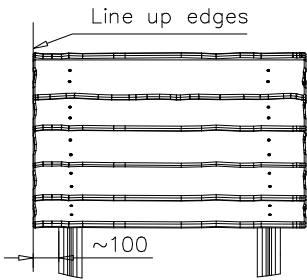
DET 2

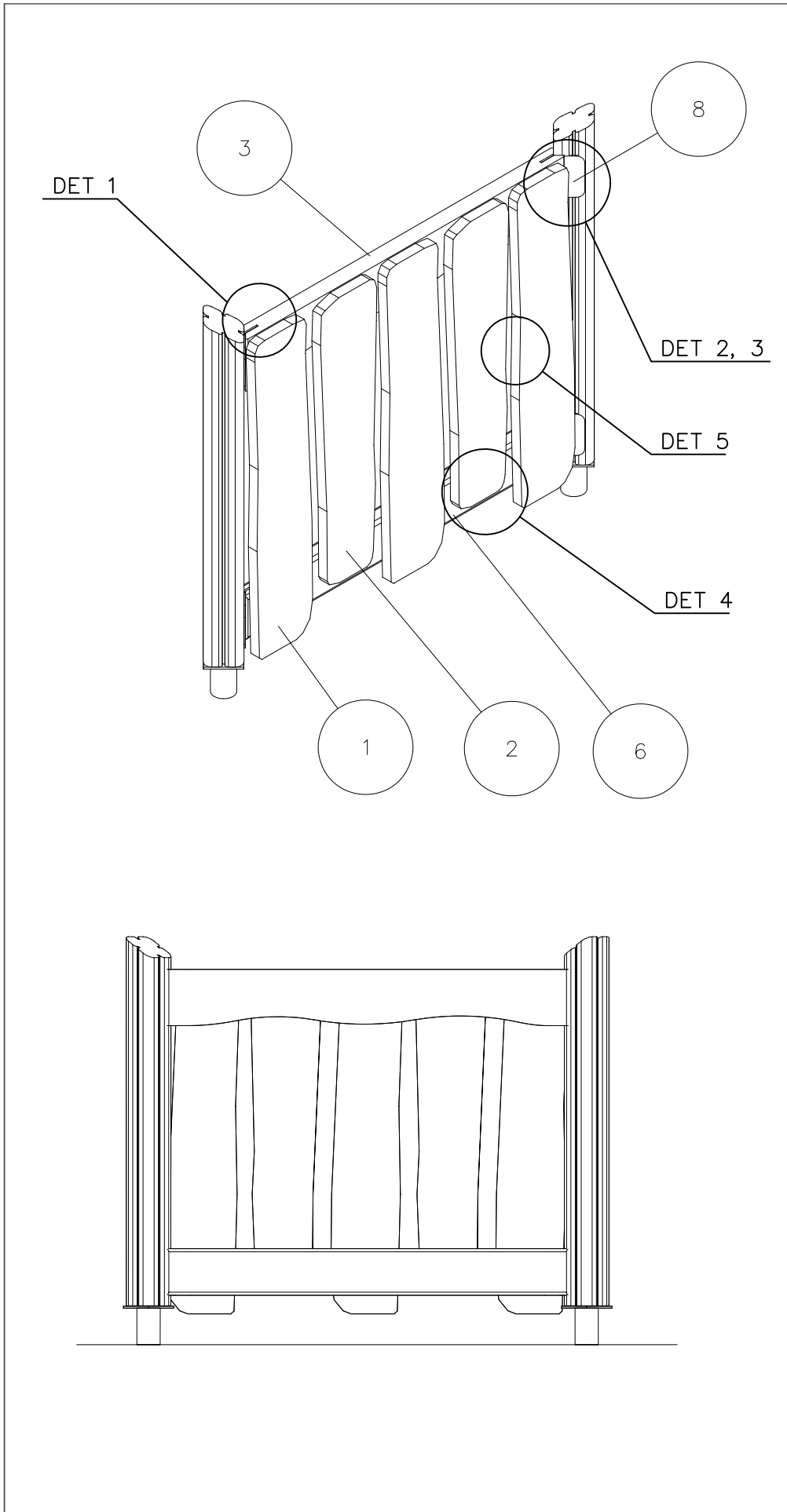


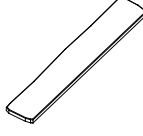
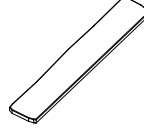
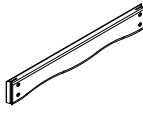
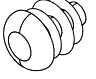
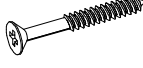
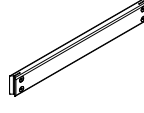
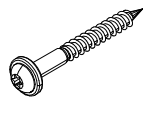
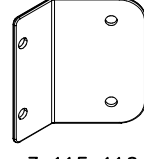
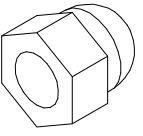
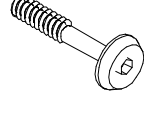
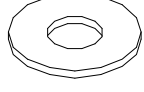
DET 3



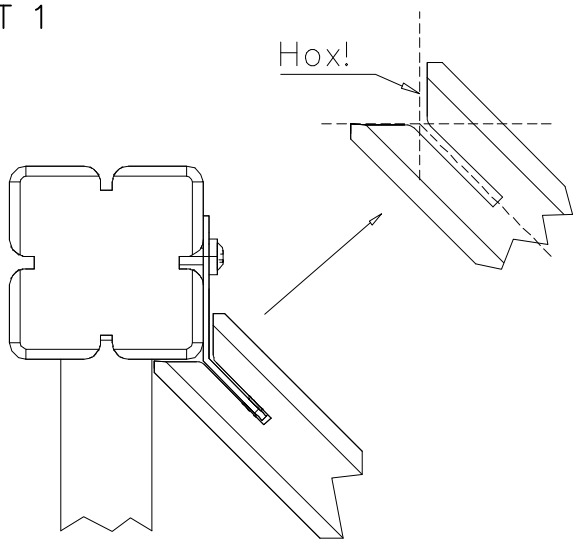
DET 4



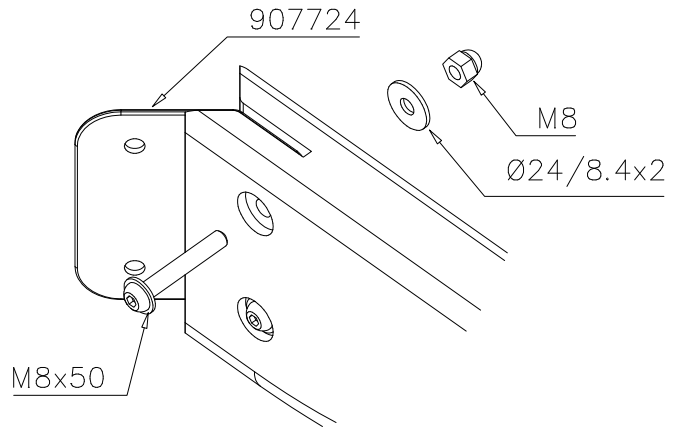


① 709891	PCS	② 709892	PCS
	3		2
28x700x885		28x700x795	
③ 710171	PCS	④ 903533	PCS
	1		33
45x145x1031		SRL12 TO Ø9	
⑤ 980100	PCS	⑥ P10210	PCS
	21		1
Ø5x60		45x120x1030	
⑦ 900240	PCS	⑧ 907724	PCS
	8		4
Ø8x70		3x115x110	
⑨ 909633	PCS	⑩ 909868	PCS
	8		8
M8		M8x50	
	PCS	⑪ 980152	PCS
			8
		Ø24/8.4x2	
	PCS		PCS
	PCS		PCS

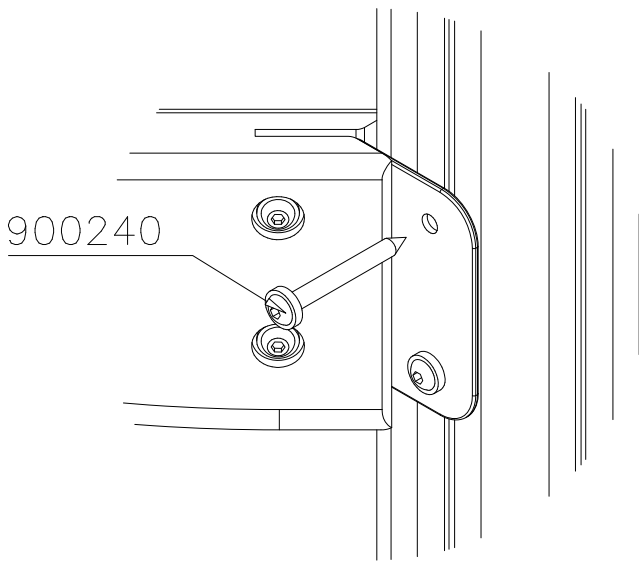
DET 1



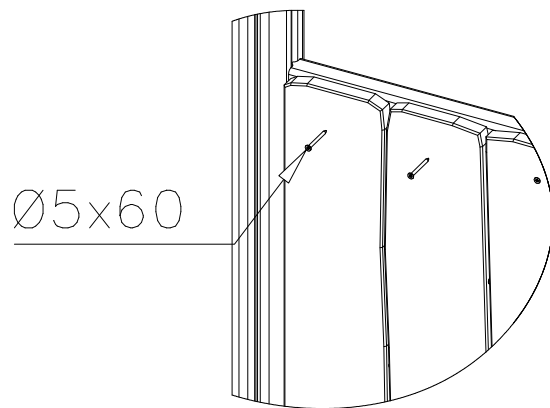
DET 2



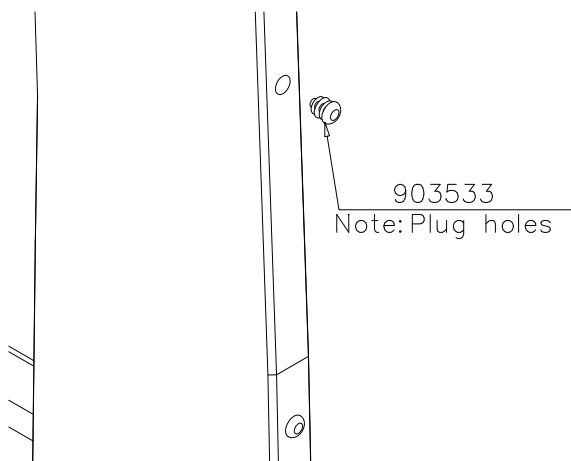
DET 3

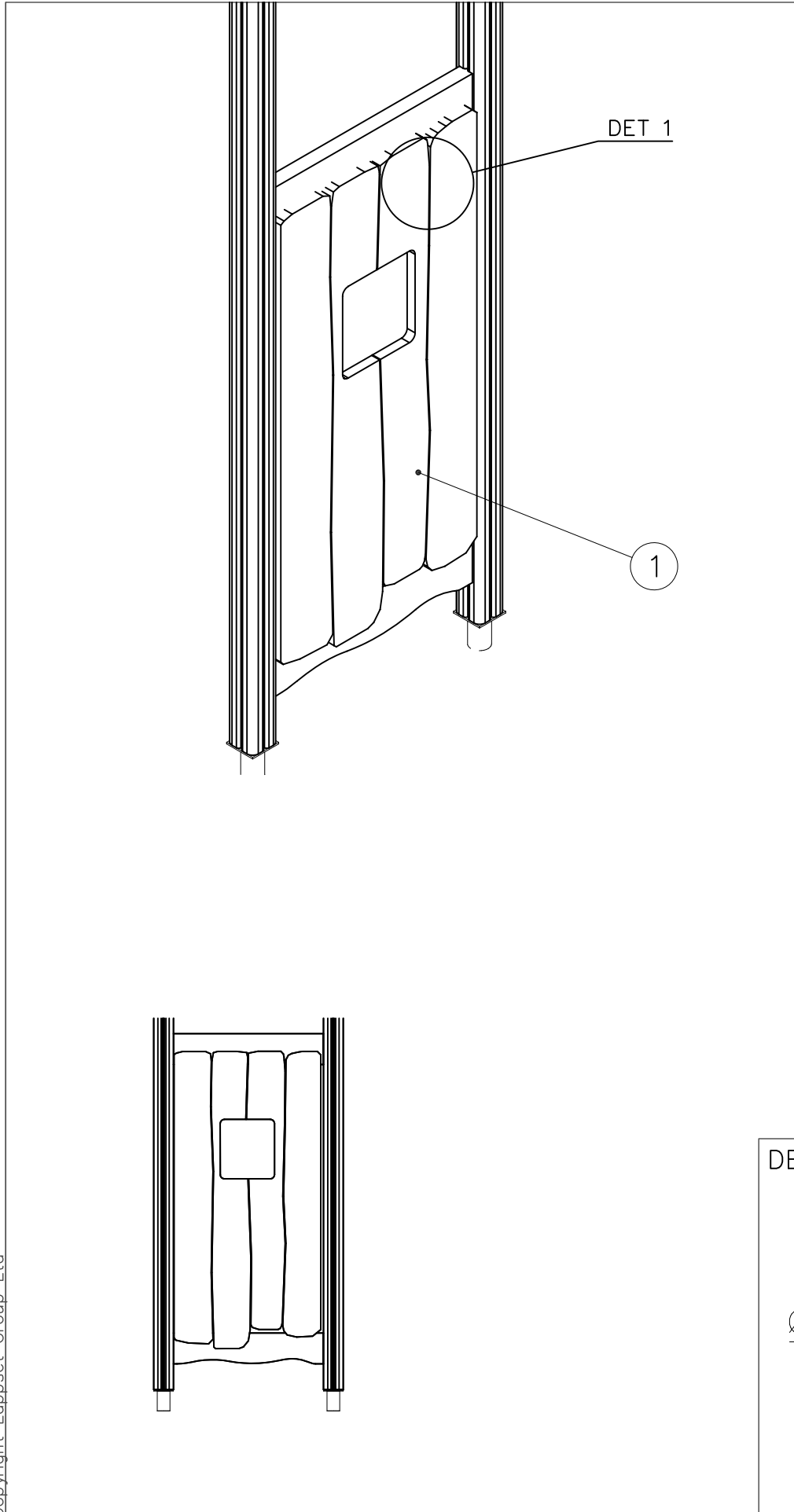


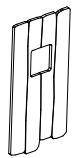

DET 4

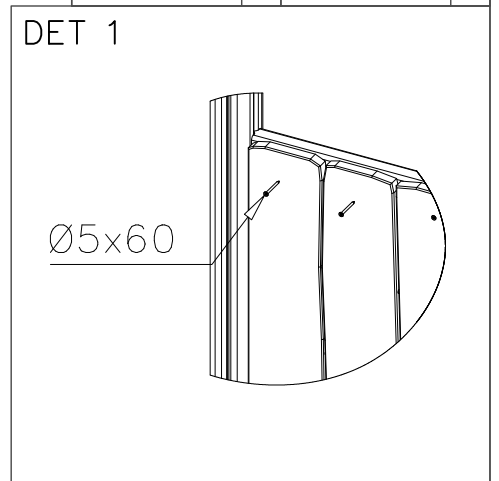


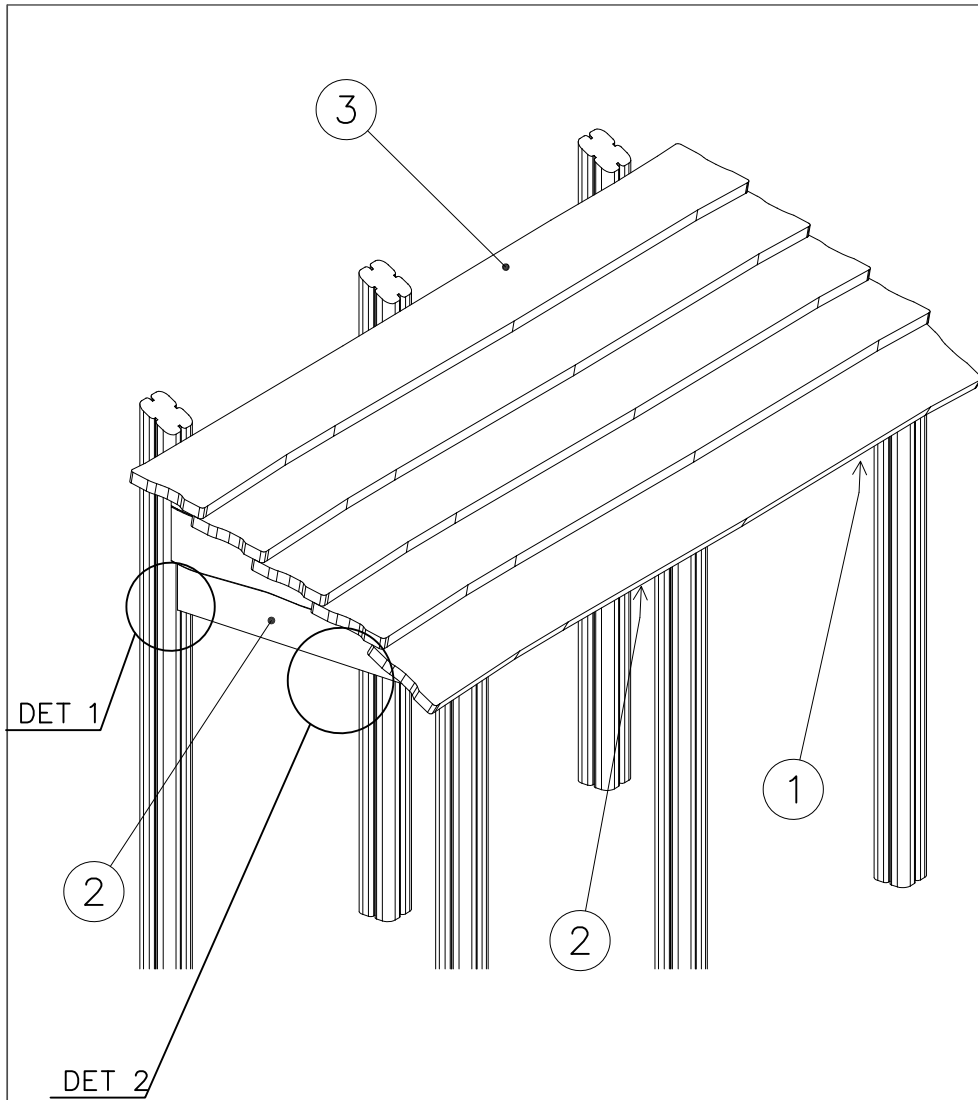
DET 5

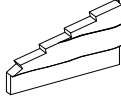
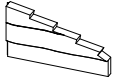
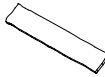




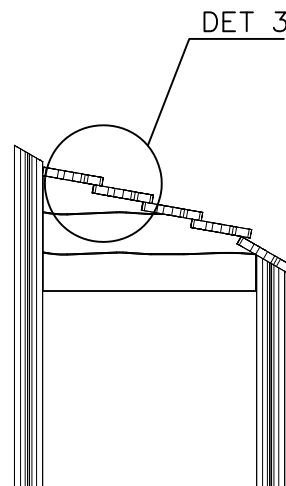
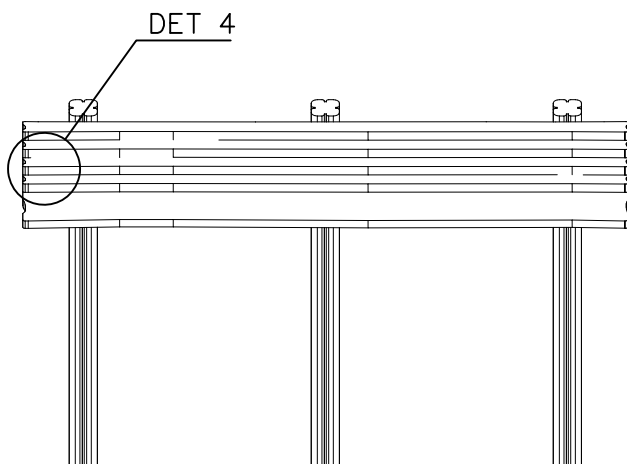


① 708407	PCS	② 980100	PCS
	1		16
700x1400		Ø5x60	
	PCS		PCS
	PCS		PCS
	PCS		PCS
	PCS		PCS

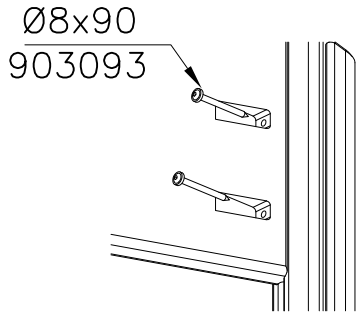




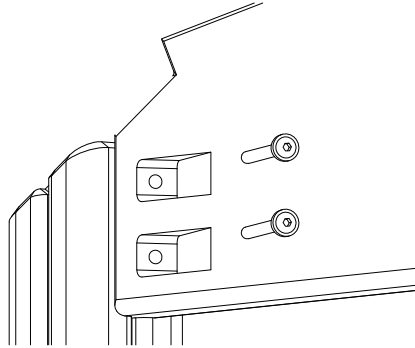
① 708681	PCS	② 708696	PCS
	1		2
68x385x725		68x385x725	
③ 708372	PCS	④ 903093	PCS
	5		12
28x200x2000		Ø8x90	
	PCS	⑤ 980100	PCS
			30
		Ø5x60	
	PCS		PCS
	PCS		PCS



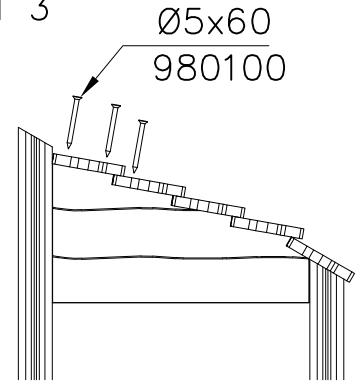
DET 1



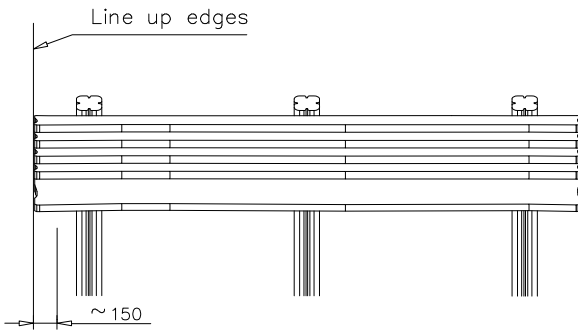
DET 2

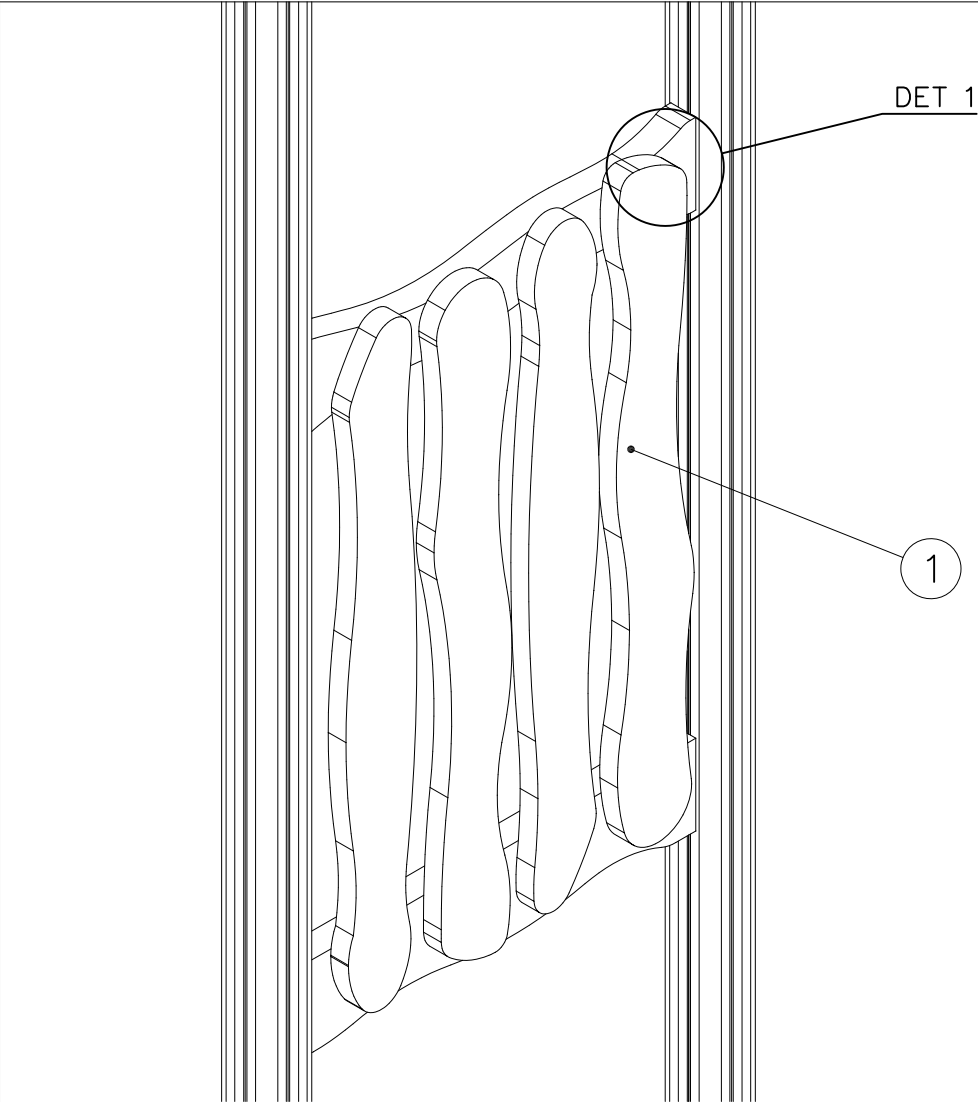




DET 3

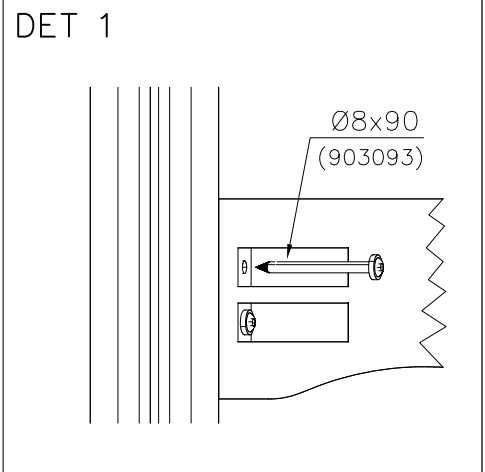
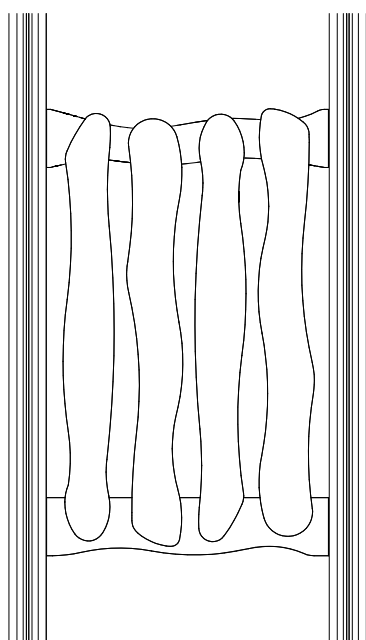


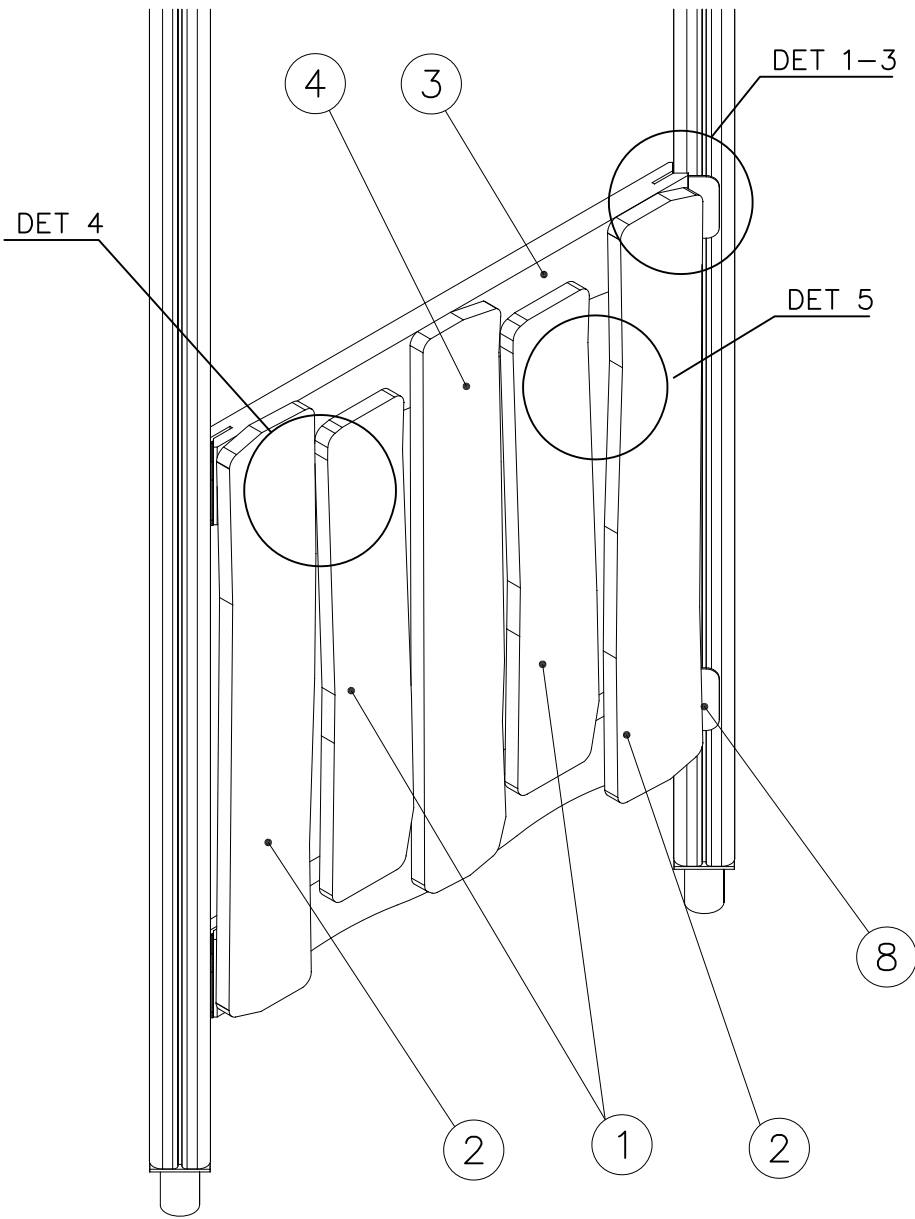
DET 4

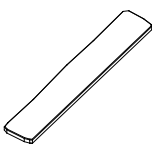
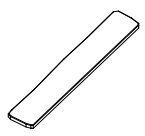
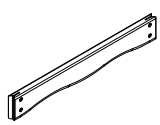

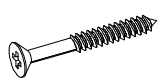
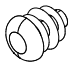
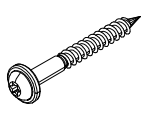
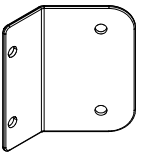
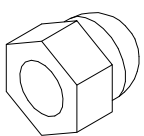
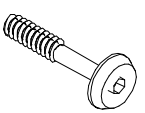
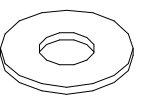


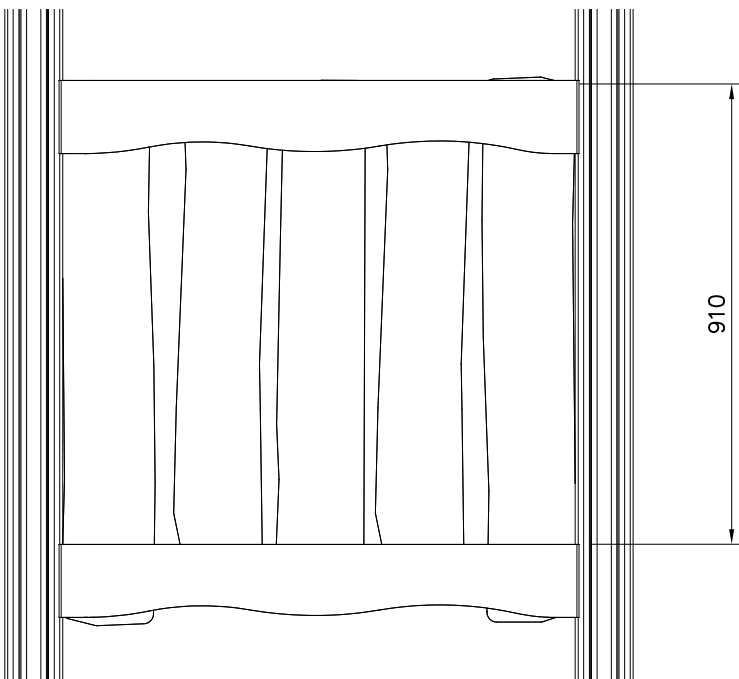


① 709762	PCS	② 903093	PCS
	1		8
		Ø8x90	
	PCS		PCS
	PCS		PCS
	PCS		PCS
	PCS		PCS

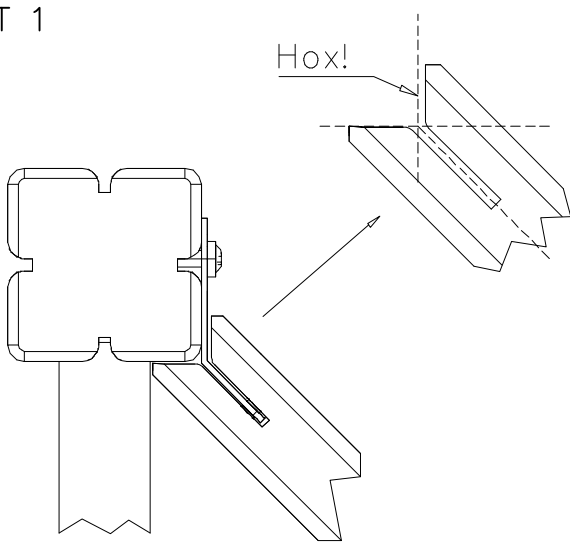




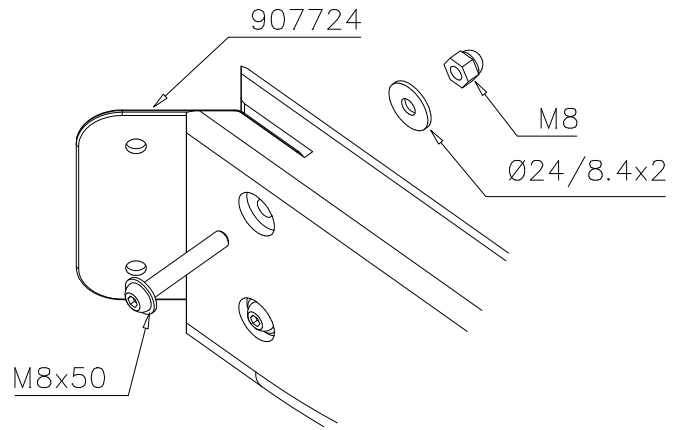
① 709891	PCS	② 708433	PCS
	2		2
28x700x885		28x187x1081	
③ 710171	PCS	④ 708436	PCS
	2		1
45x145x1030		28x176x1045	
⑤ 980100	PCS	⑥ 903533	PCS
	20		35
Ø5x60		Ø9	
⑦ 900240	PCS	⑧ 907724	PCS
	8		4
Ø8x70		3x115x110	
⑨ 909633	PCS	⑩ 909868	PCS
	8		8
M8		M8x50	
		⑪ 980152	PCS
			8
		Ø24/8.4x2	



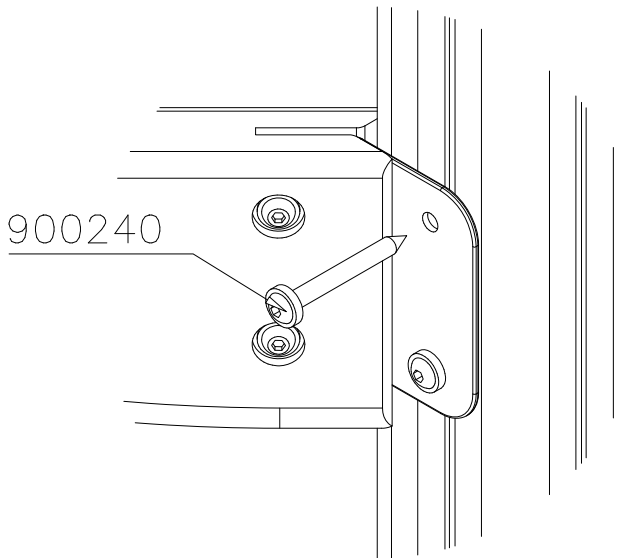
DET 1



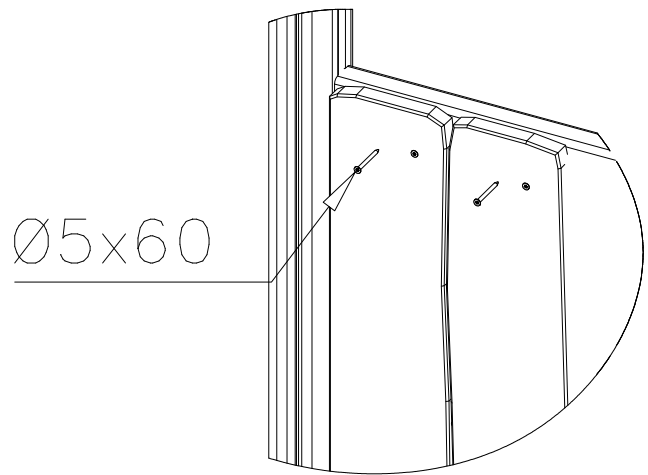
DET 2



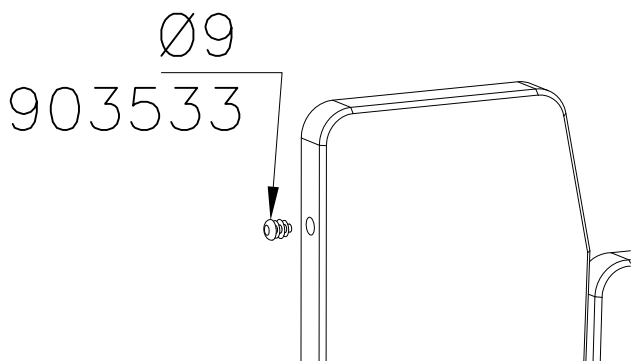
DET 3

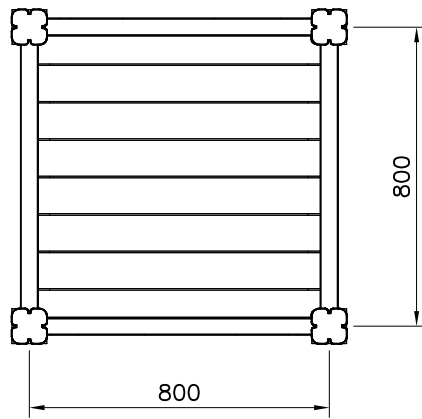
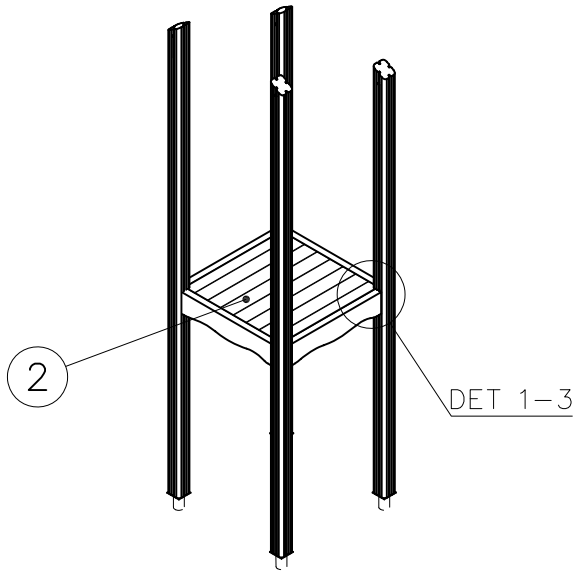


DET 4



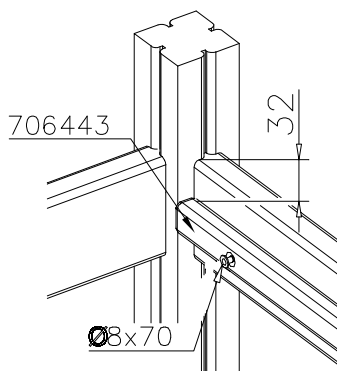
DET 5



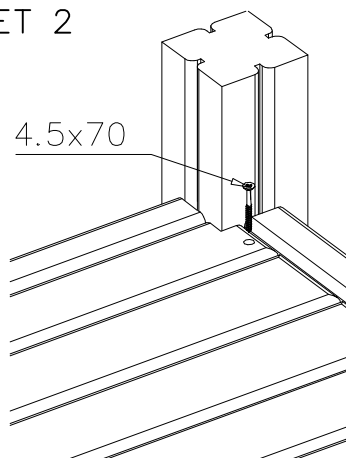


① 706443	PCS	② 705257	PCS
	2		1
32x45x702		32x750x750	
③ 900240	PCS	④ 980101	PCS
	6		8
Ø8x70		Ø4.5x70	
	PCS		PCS
	PCS		PCS

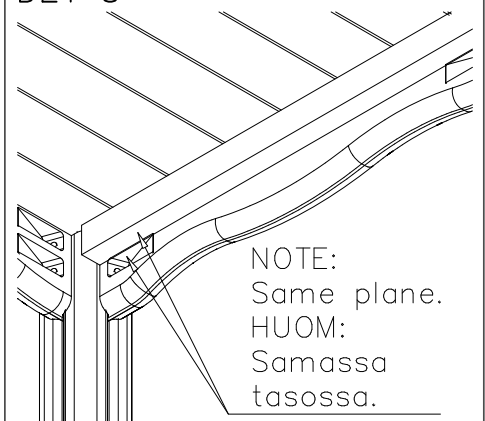
DET 1

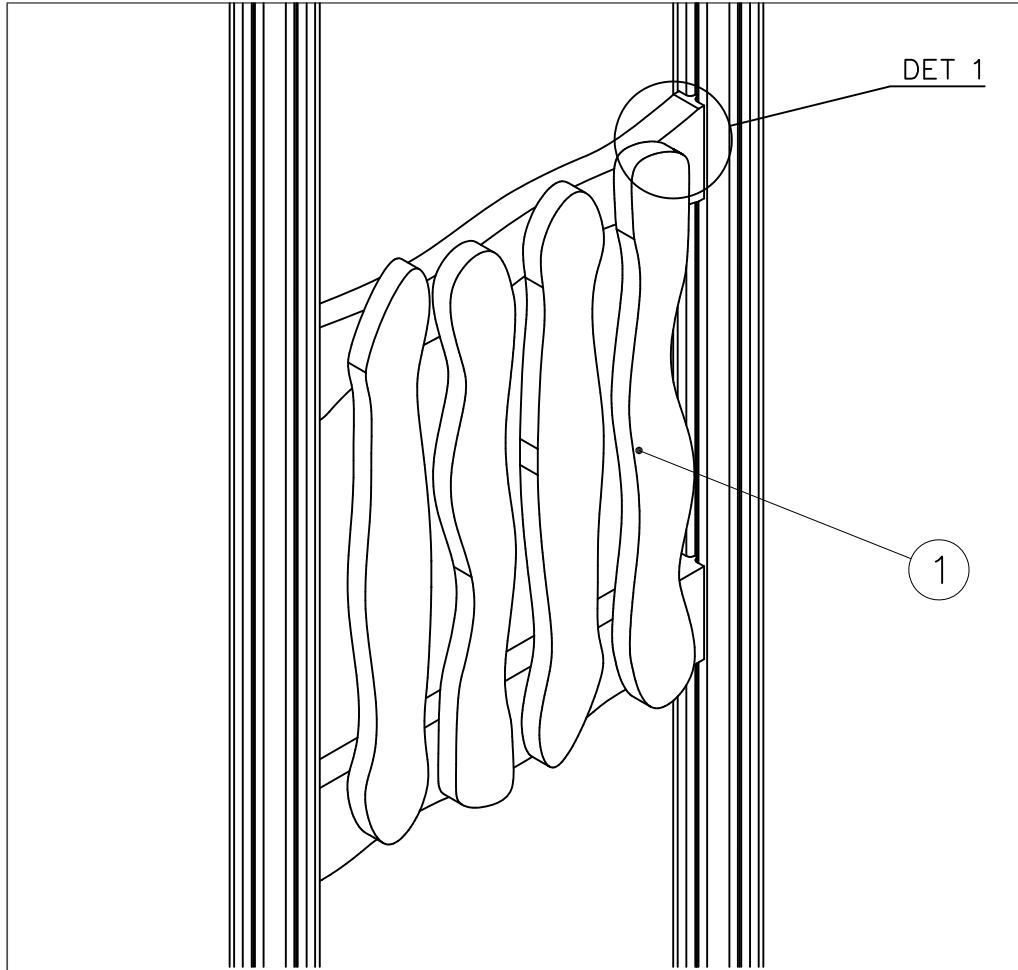


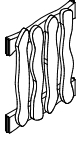

DET 2

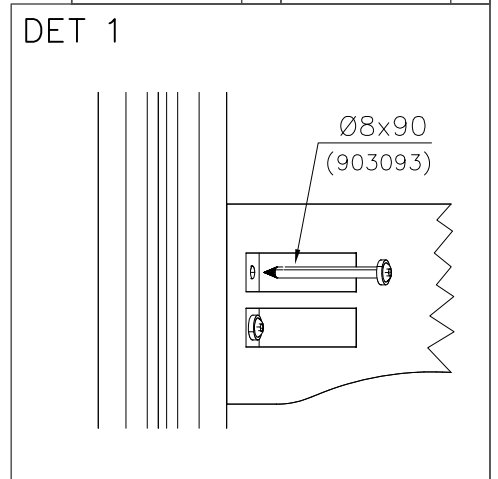
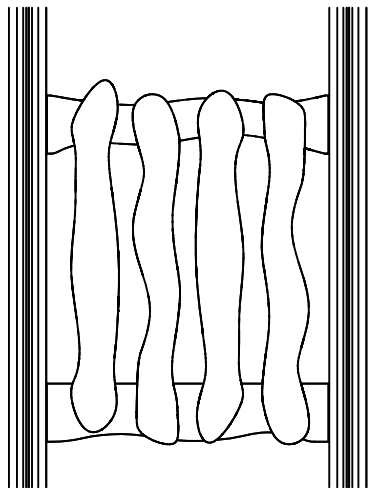


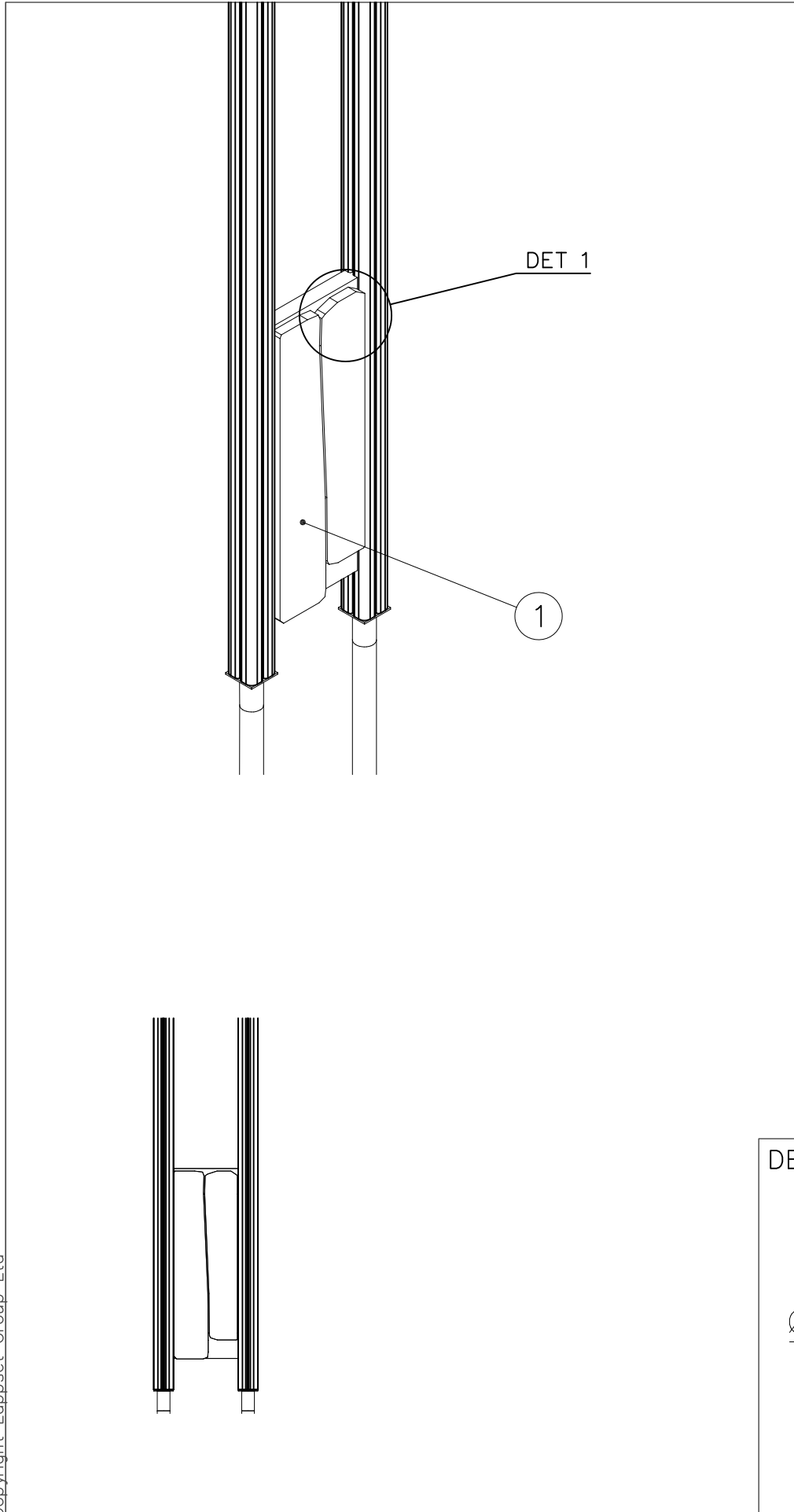
DET 3





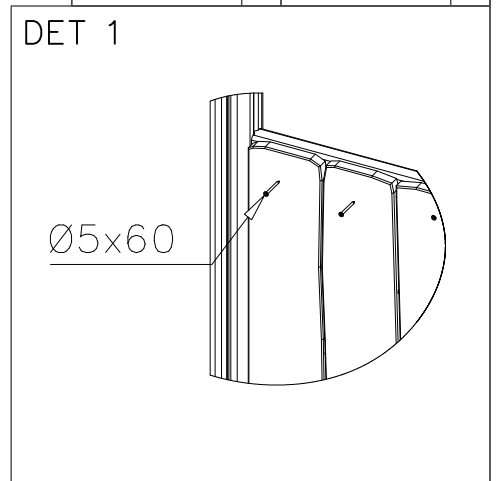


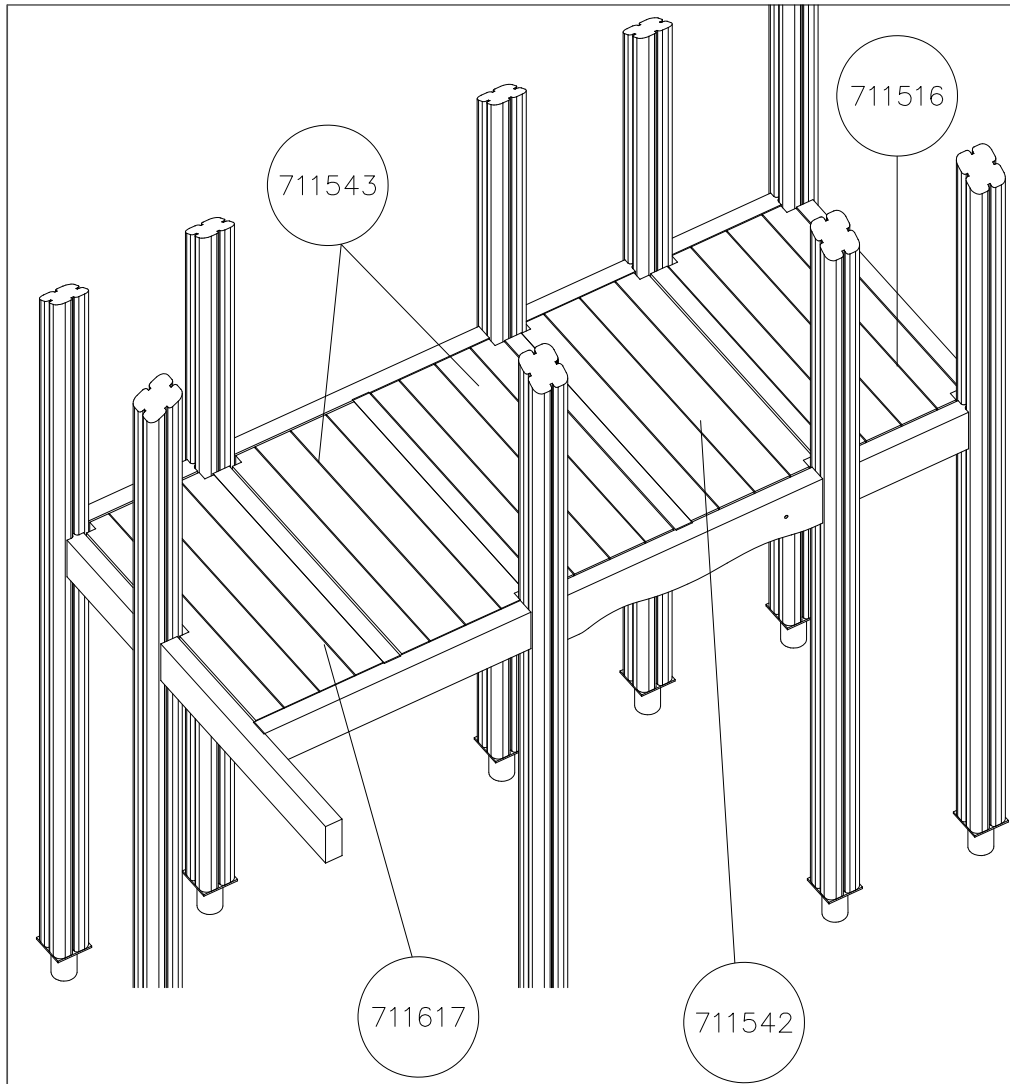
① 705210	PCS	② 903093	PCS
	1		8
		Ø8x90	
	PCS		PCS
	PCS		PCS
	PCS		PCS
	PCS		PCS
	PCS		PCS

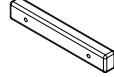

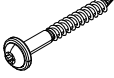




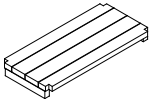
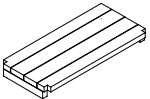
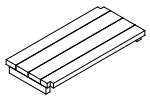
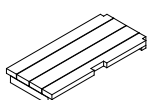
① 709897	PCS	② 980100	PCS
	1		8
28x300x885		Ø5x60	
	PCS		PCS
	PCS		PCS
	PCS		PCS
	PCS		PCS



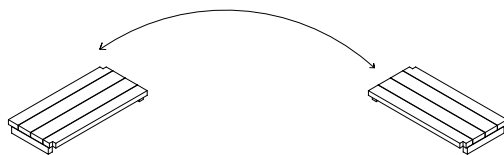


① 709858	PCS	② 980101	PCS
	2		4
32x45x290		Ø4.5x70	
③ 900240	PCS		PCS
	4		
Ø8x70			

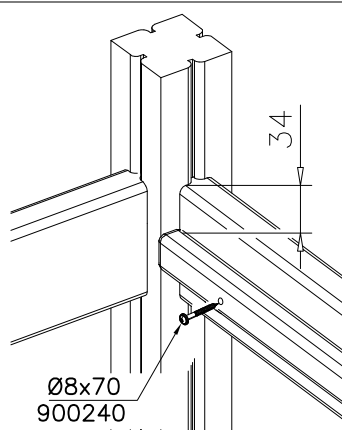
FLOOR OPTIONS

○ 711516	PCS	○ 711542	PCS
	1		1
○ 711543	PCS	○ 711617	PCS
	1		1
	PCS		PCS

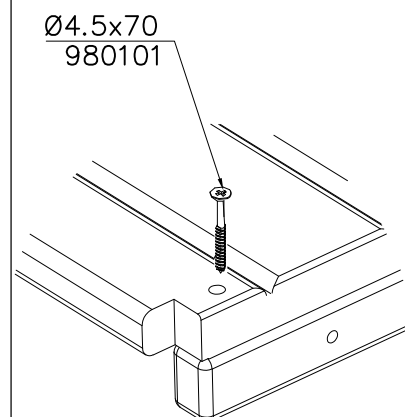
ATT ! You can turn the floorplate if needed !

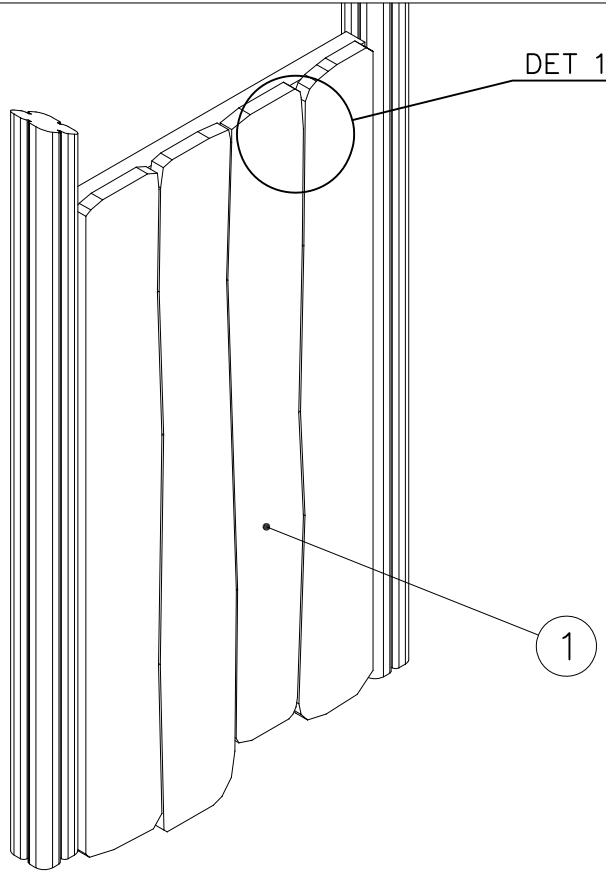


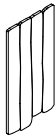
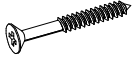
DET 1



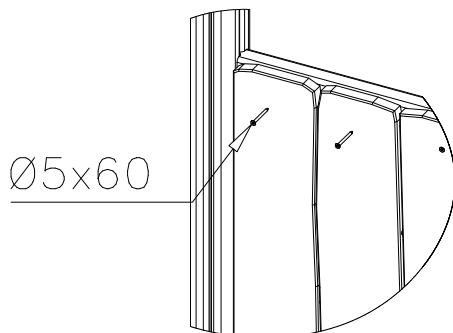
DET 2



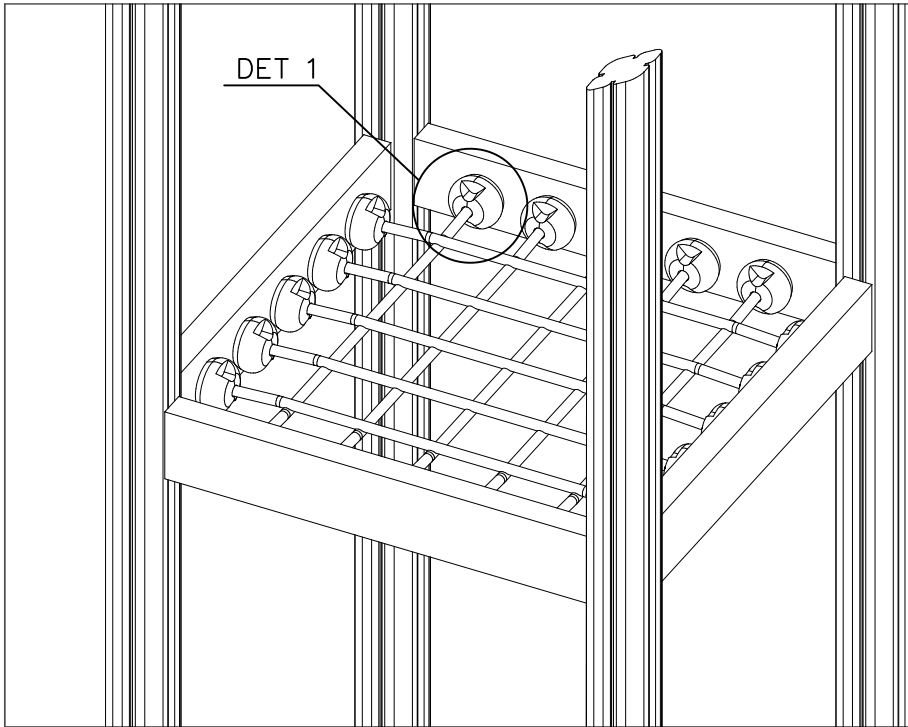


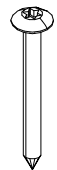

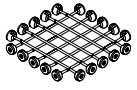
① 708700  700x1400	PCS	② 980100  Ø5x60	PCS
	1		24
	PCS		PCS
	PCS		PCS
	PCS		PCS
	PCS		PCS

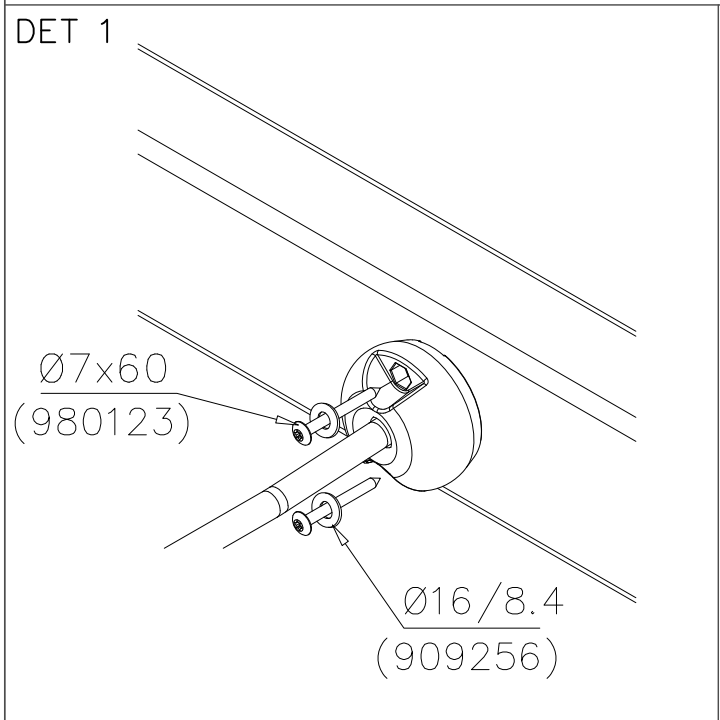
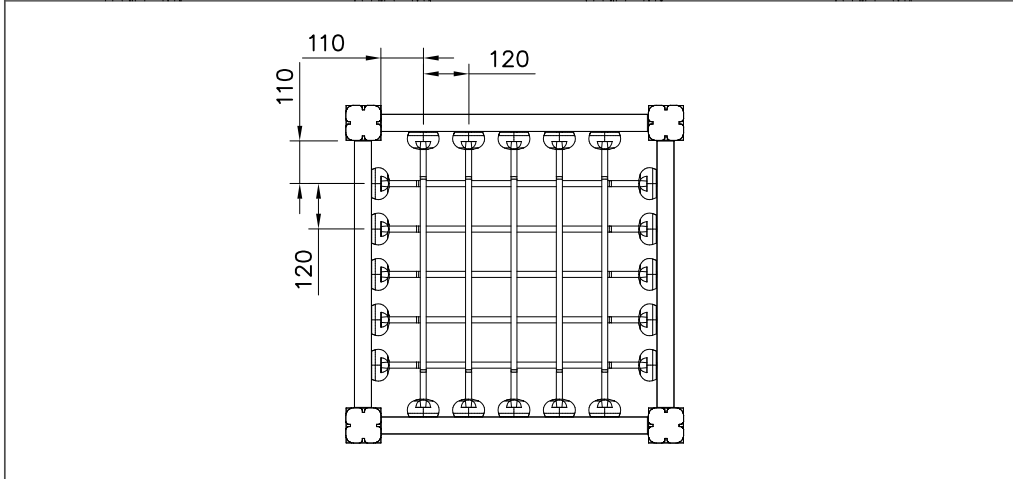
DET 1

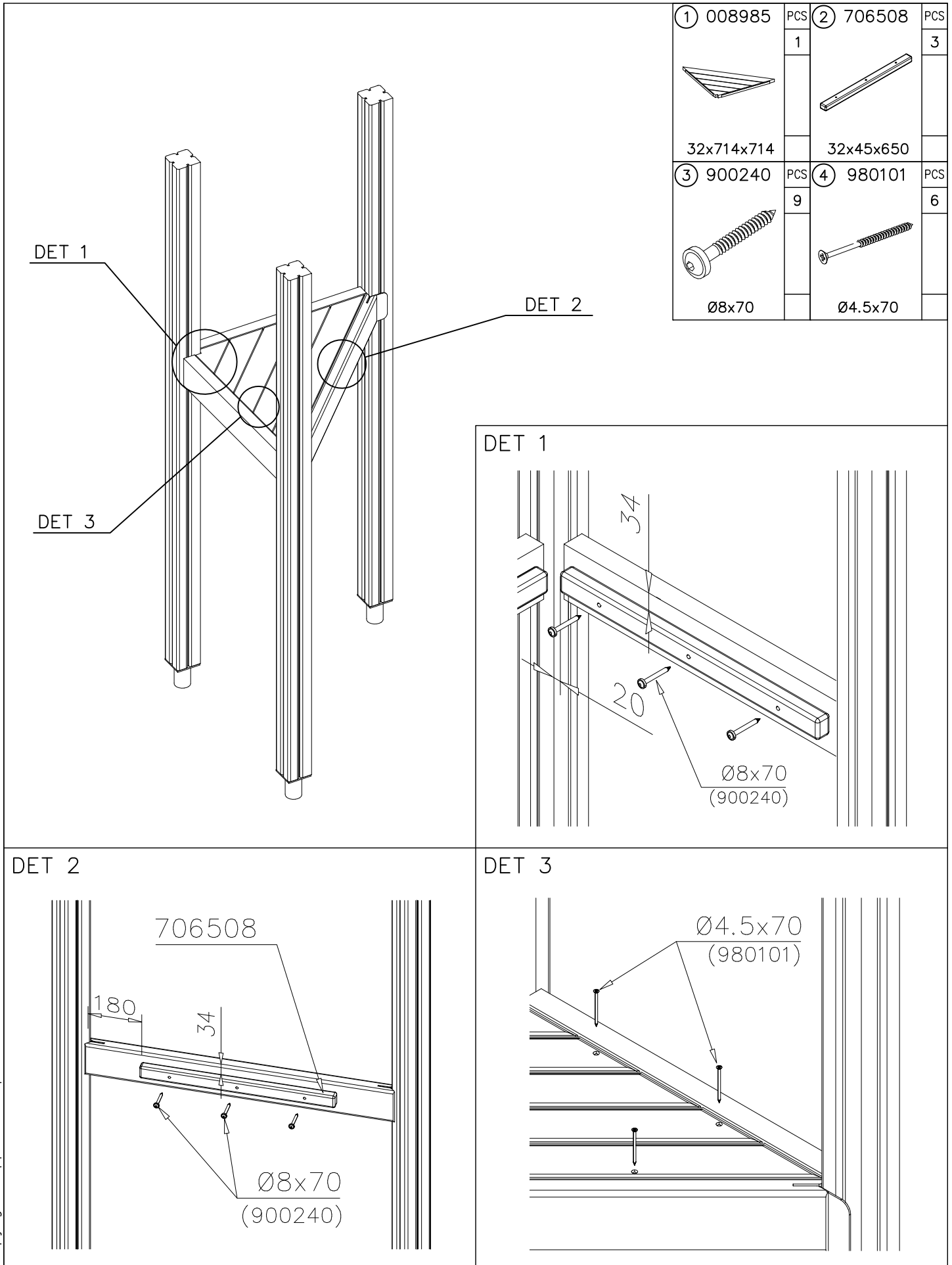


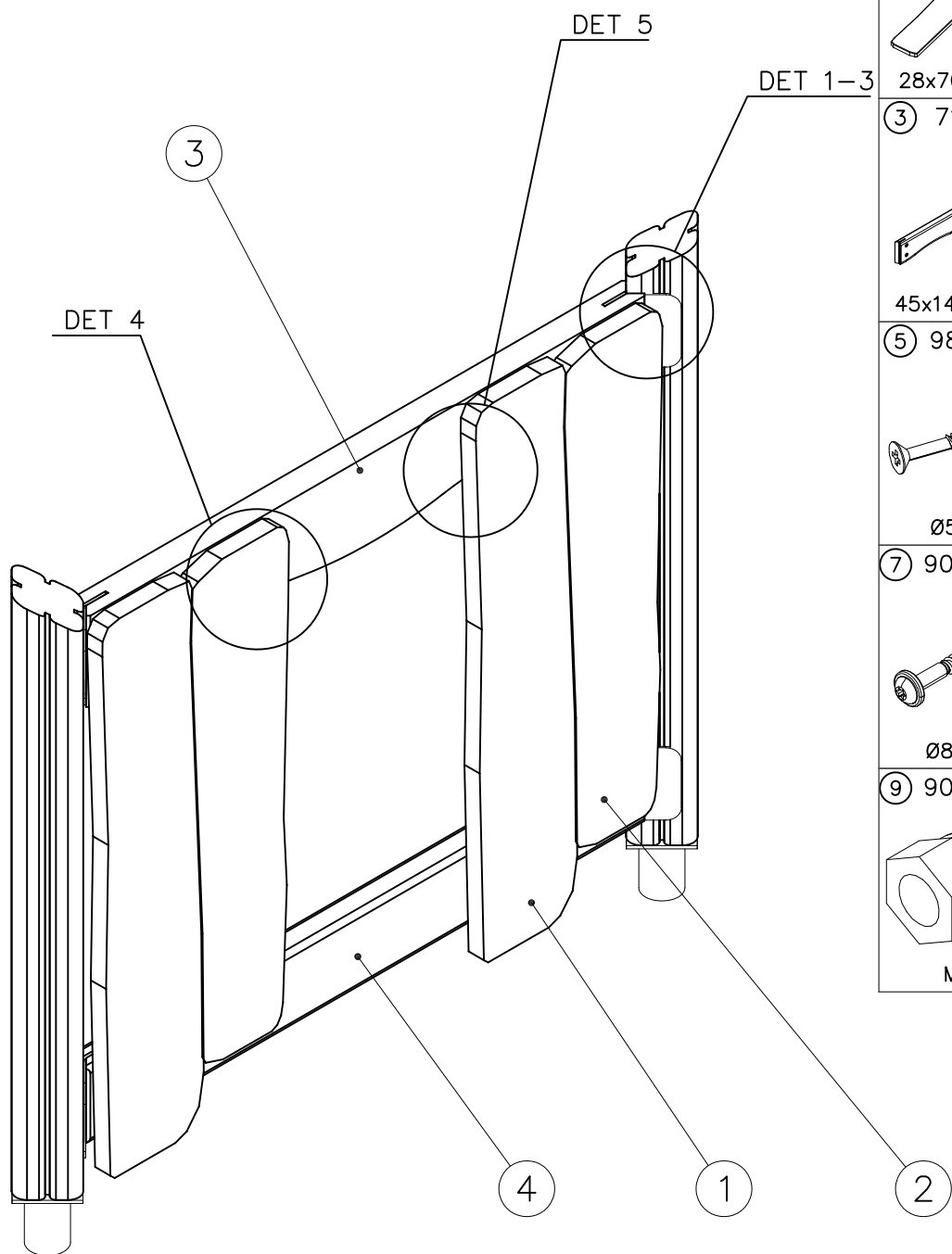
Ø5x60



① 980123	PCS	② 909256	PCS
	40		40
Ø7x60		Ø16/8.4	
	PCS	③ 707590	PCS
			
		755x755	
	PCS		PCS
	PCS		PCS
	PCS		PCS

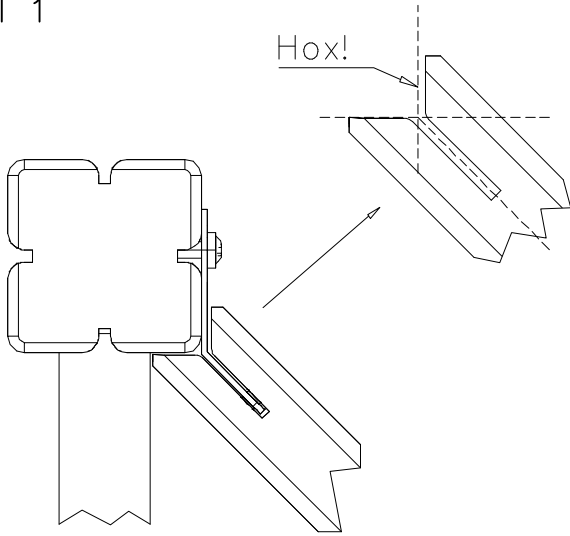




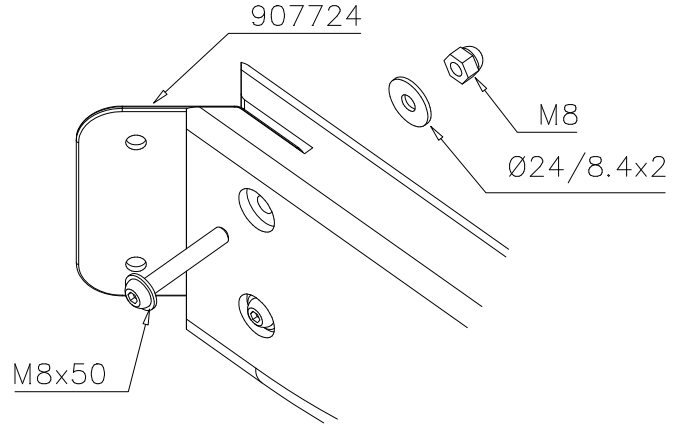


① 709891	PCS	② 709892	PCS
	2		2
28x700x885		28x700x795	
③ 710171	PCS	④ P10210	PCS
	1		1
45x145x1030		45x120x1030	
⑤ 980100	PCS	⑥ 903533	PCS
	16		14
Ø5x60		Ø9	
⑦ 900240	PCS	⑧ 907724	PCS
	8		4
Ø8x70		3x115x110	
⑨ 909633	PCS	⑩ 909868	PCS
	8		8
M8		M8x50	
		⑪ 980152	PCS
			8
		Ø24/8.4x2	

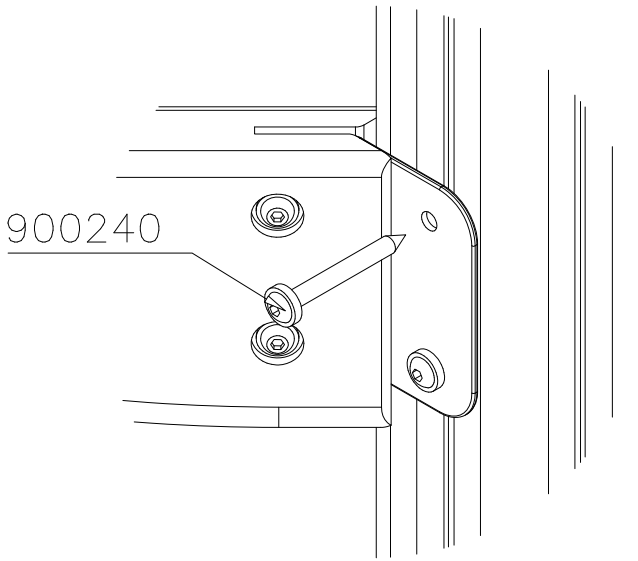
DET 1



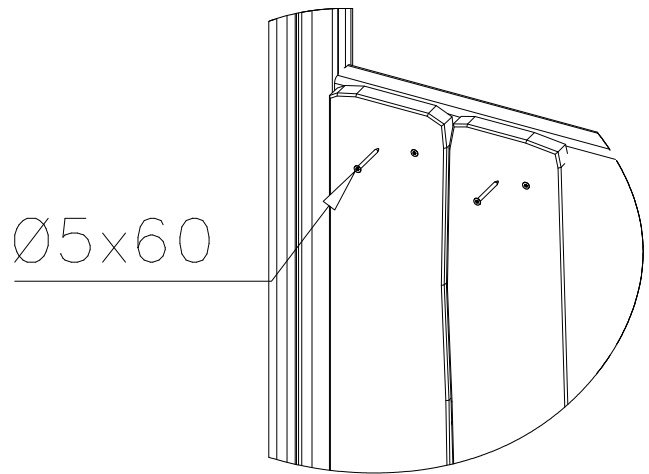
DET 2



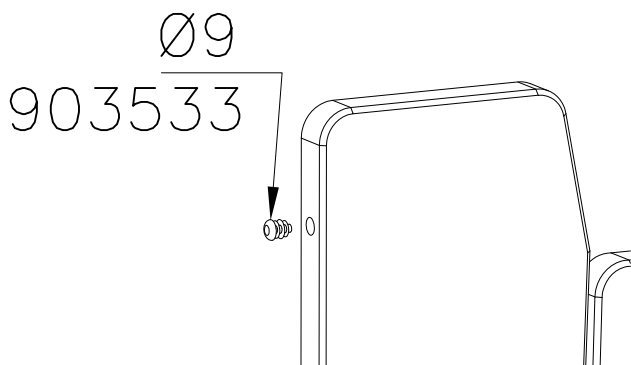
DET 3

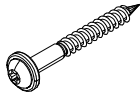
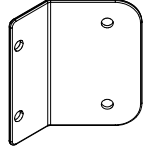
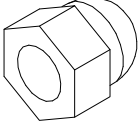
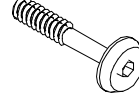
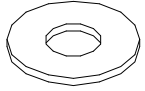
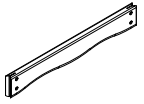


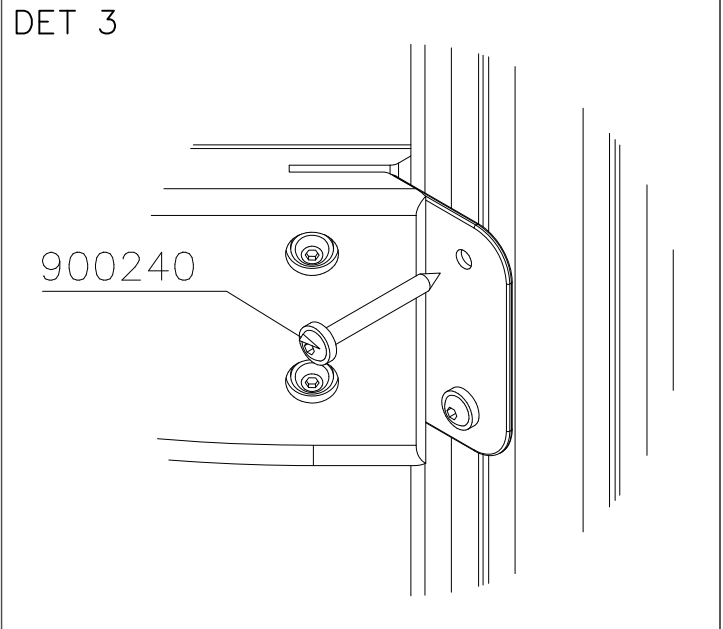
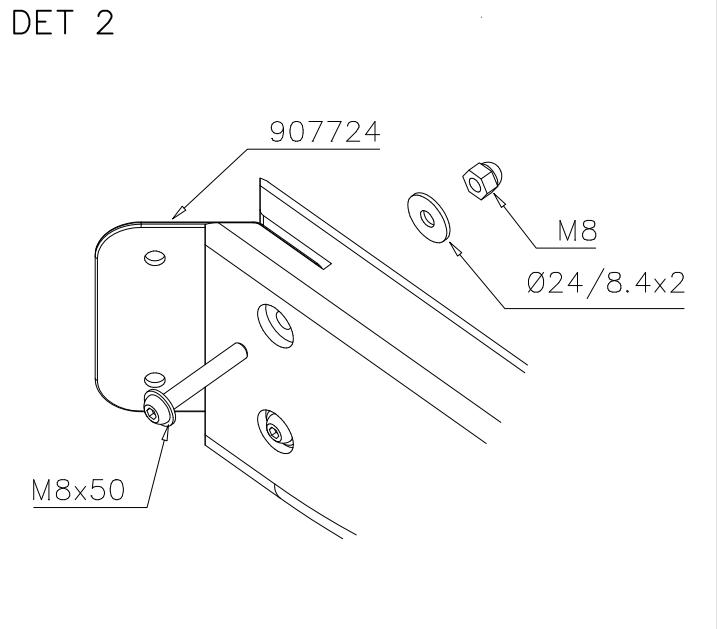
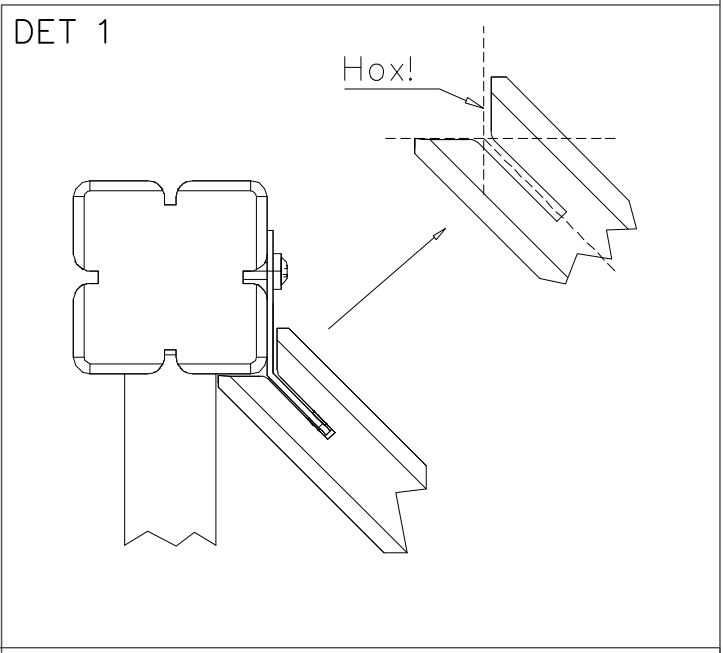
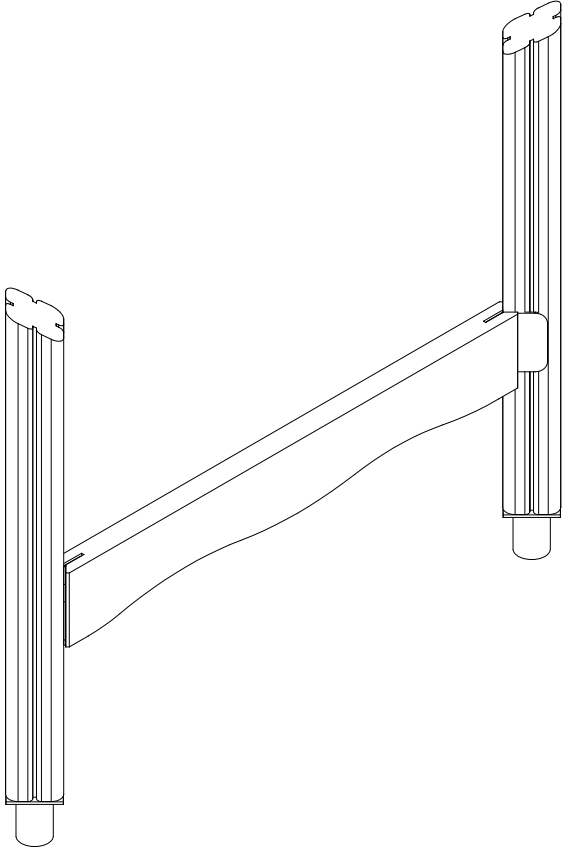
DET 4

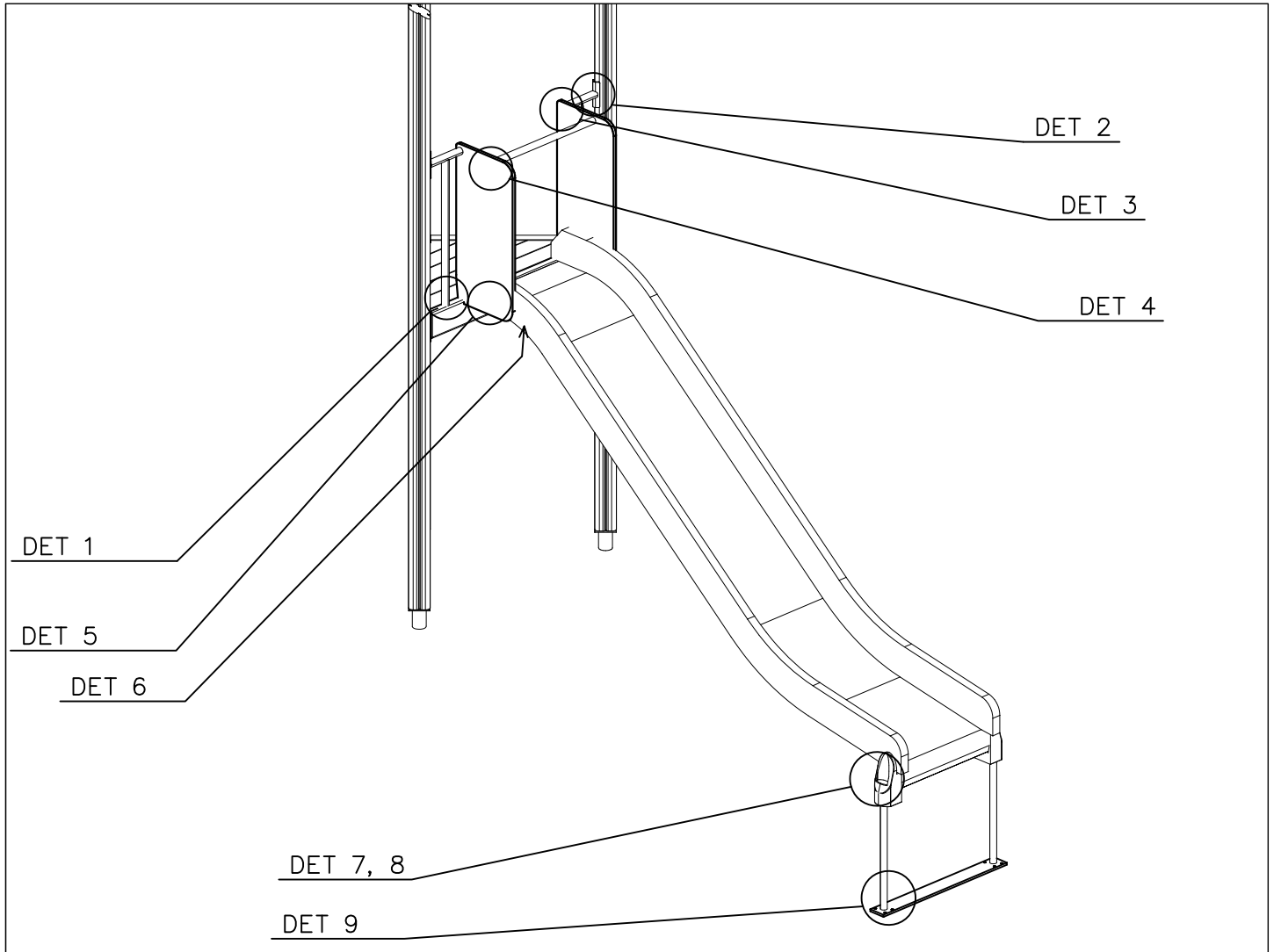


DET 5

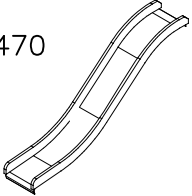


① 900240	PCS 4	② 907724	PCS 2	③ 909633	PCS 4	④ 909868	PCS 4	⑤ 980152	PCS 4	
										
Ø8x70		3x115x110		M8		M8x50		Ø24/8.4x2		
									⑥ 710171	PCS 1
										
									45x145x1031	






SLIDE OPTIONS

<p>+1470</p> 	<p>705307-001 NATURAL 705307-614 FLORA BROWN</p>	

WALL OPTIONS

<p>706371</p> 	<p>706371-707 GREEN</p>	
---	-------------------------	--


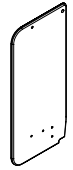
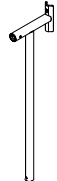
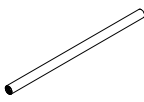
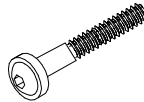
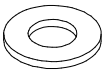
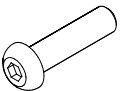



LAPPSET

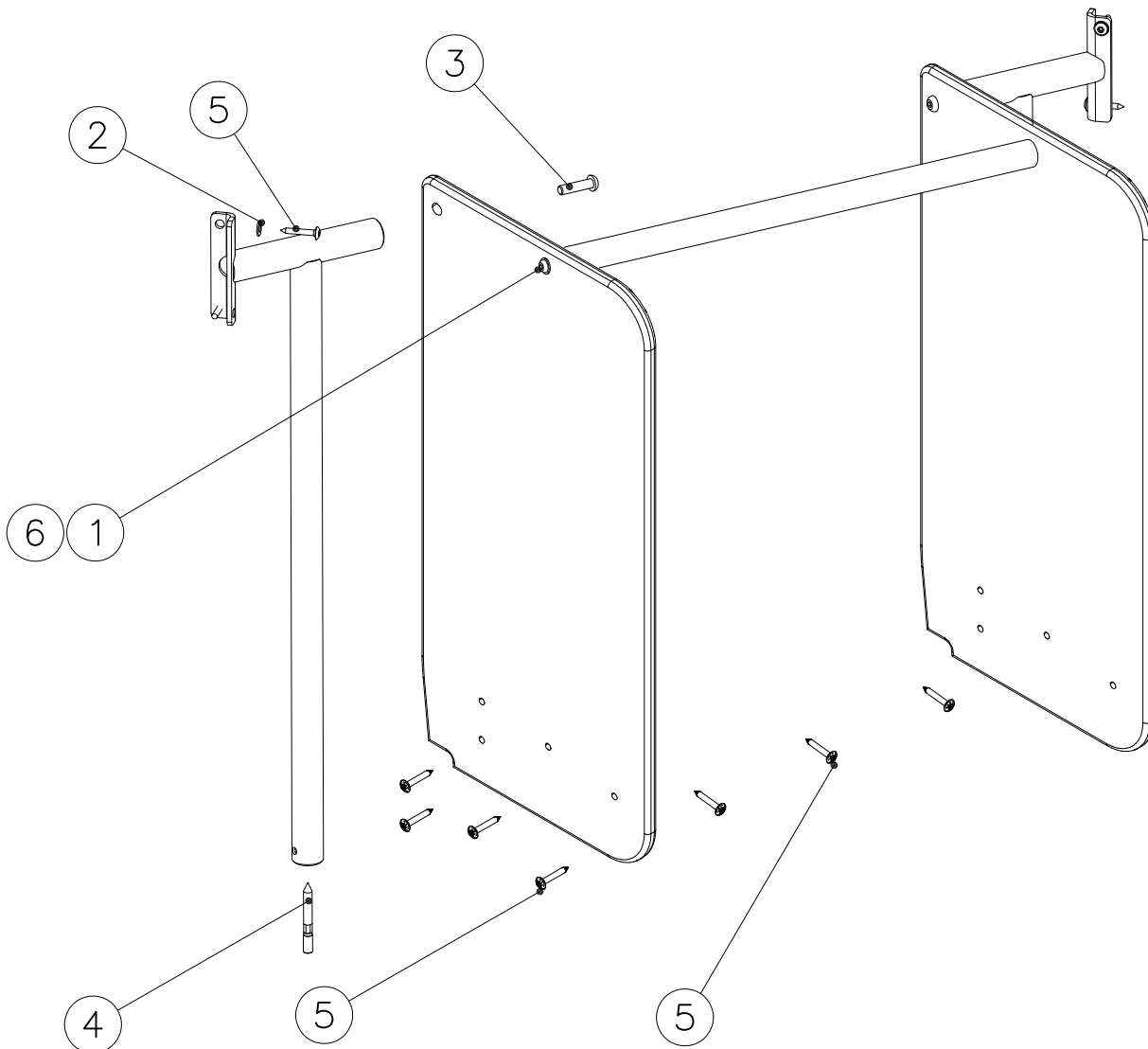
DEEP FOUNDATION

711558

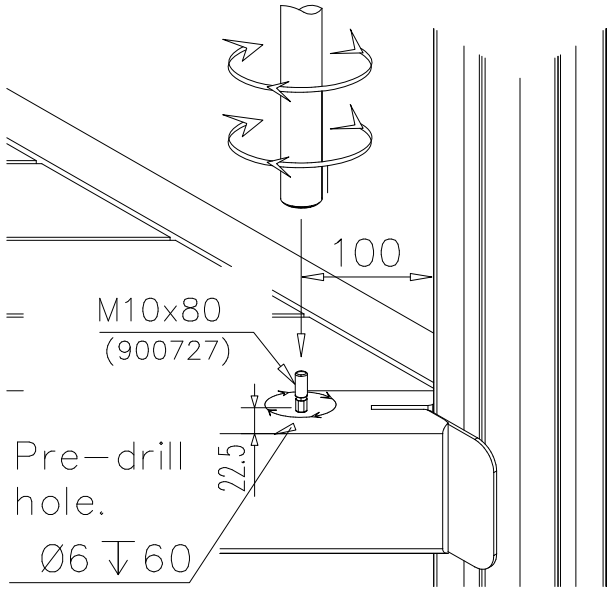
DATE: 12.9.2024

2(5)

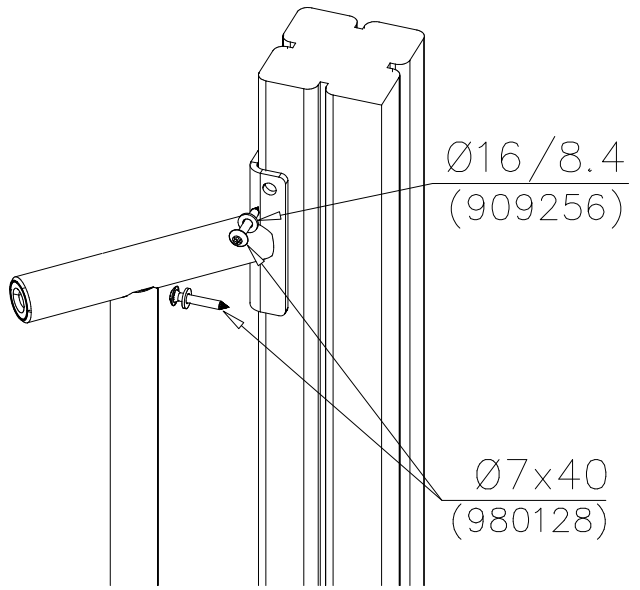
○ SLIDE	PCS 1	○ 706371	PCS 2	○ 907692	PCS 2	○ 901868	PCS 1	① 909876	PCS 2
									
+1470		15x345x750				Ø30x598		M8x40	
② 909256	PCS 4	③ 907727	PCS 2	④ 900727	PCS 2	⑤ 980128	PCS 15	⑥ 999561	PCS 1
									
Ø16/8.4		M10x40		M10x80		Ø7x40		10g	



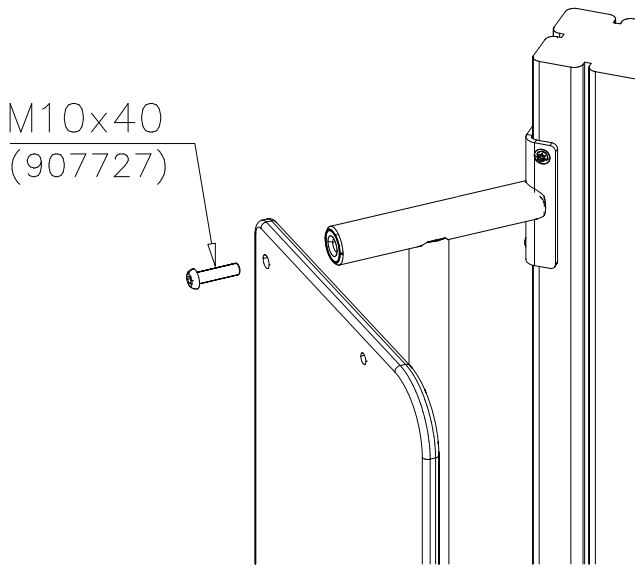
DET 1



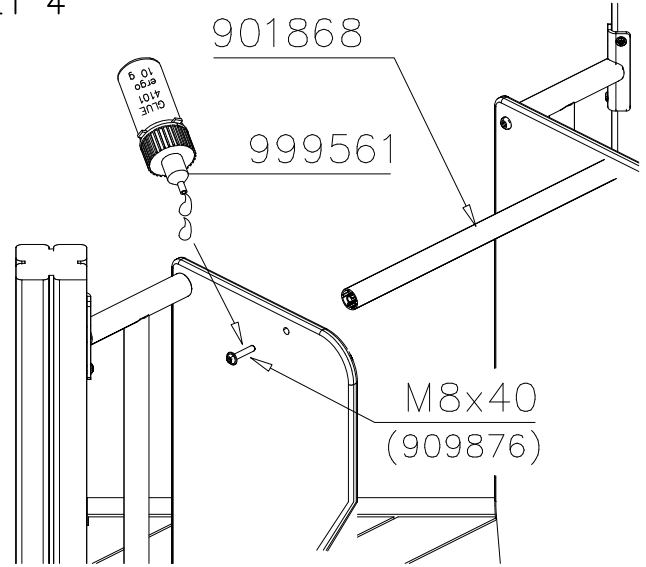
DET 2



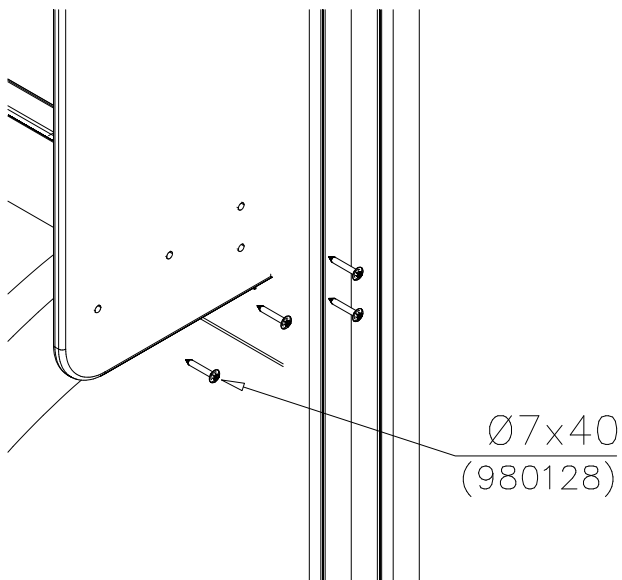
DET 3



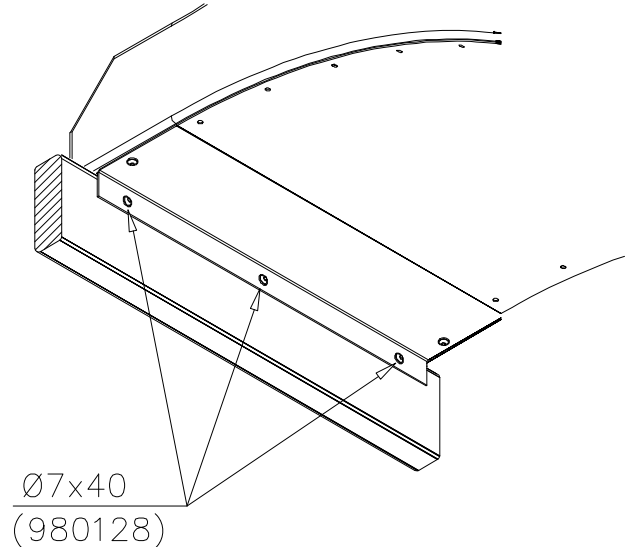
DET 4



DET 5



DET 6



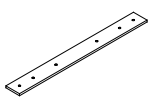
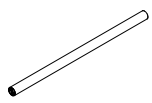
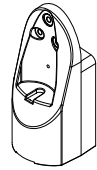
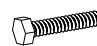
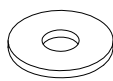
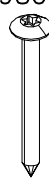
LAPPSET

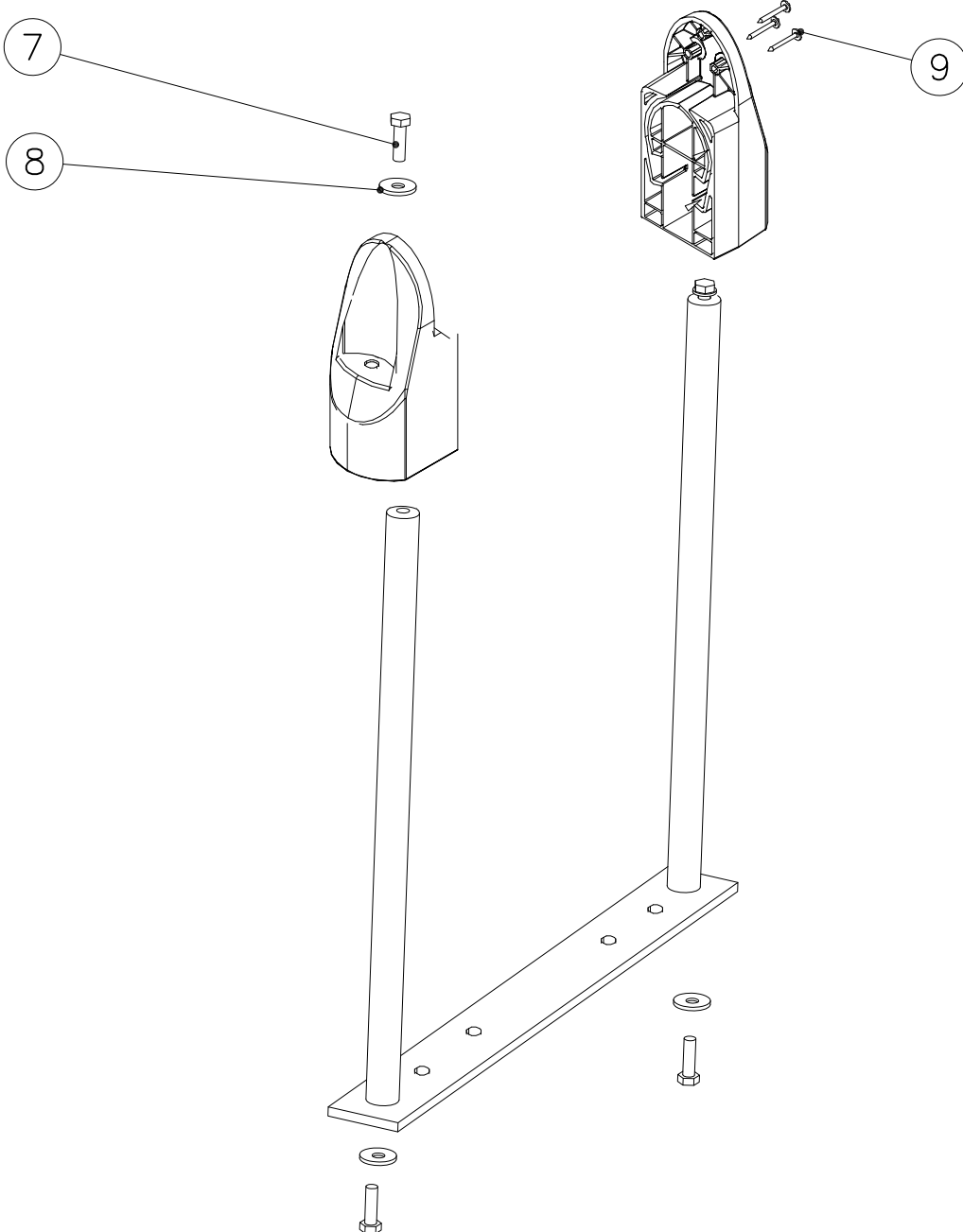
DEEP FOUNDATION

711558

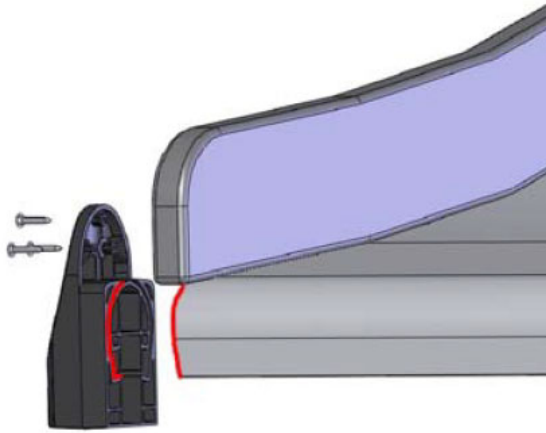
DATE: 12.9.2024

4(5)

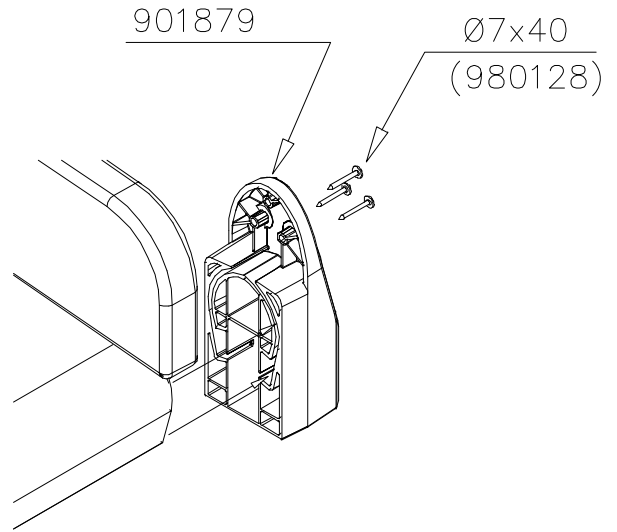
○ 707133	PCS	○ 901868	PCS	○ 901879	PCS	⑦ 909210	PCS	⑧ 905051	PCS	⑨ 980128	PCS
	1		2		2		4		4		6
10x80x745		Ø30x598				M8x40		Ø24/8.4		Ø7x40	



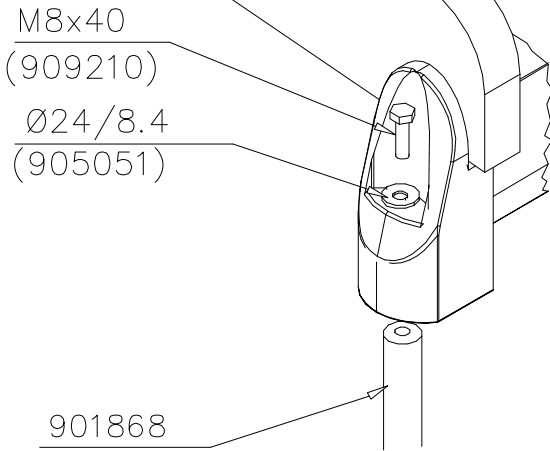
DET 7



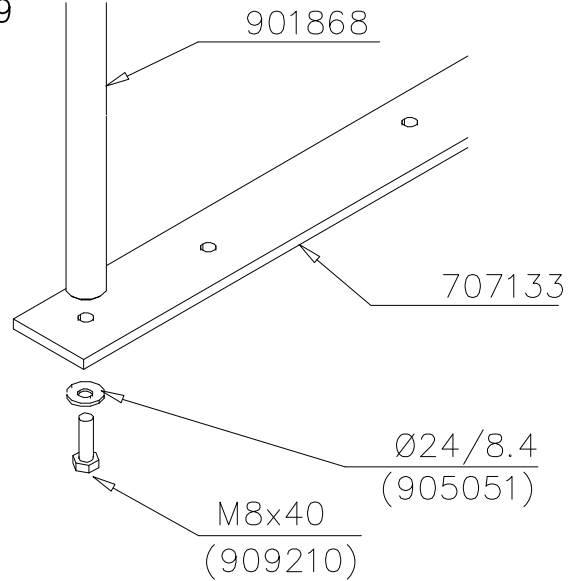
Insert sheet metal IN to the plastic cover.

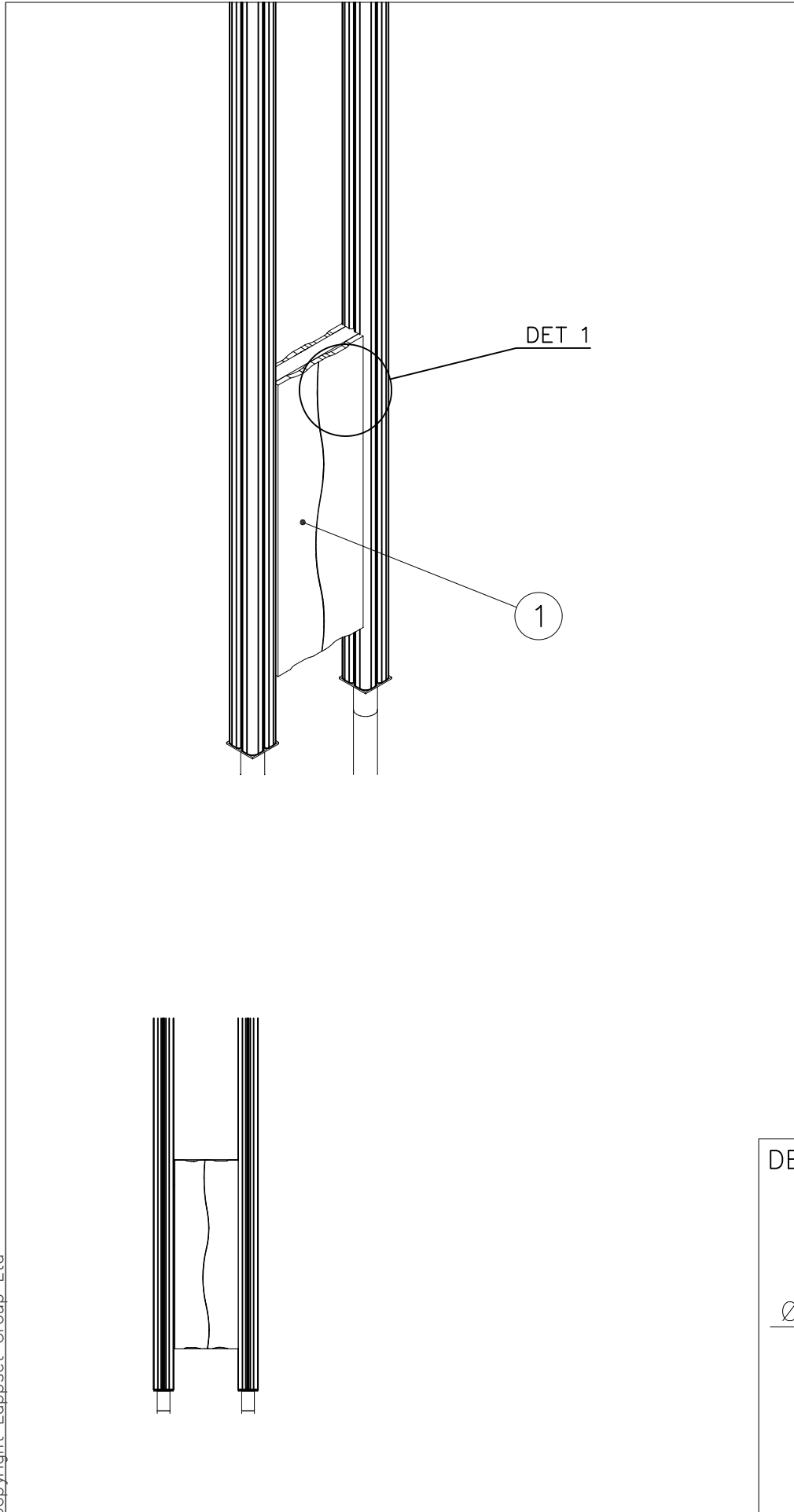




DET 8

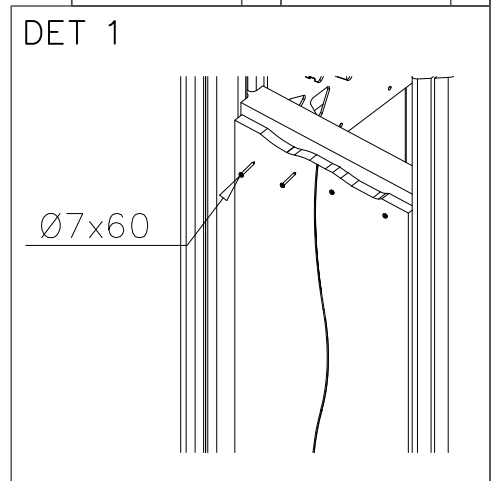


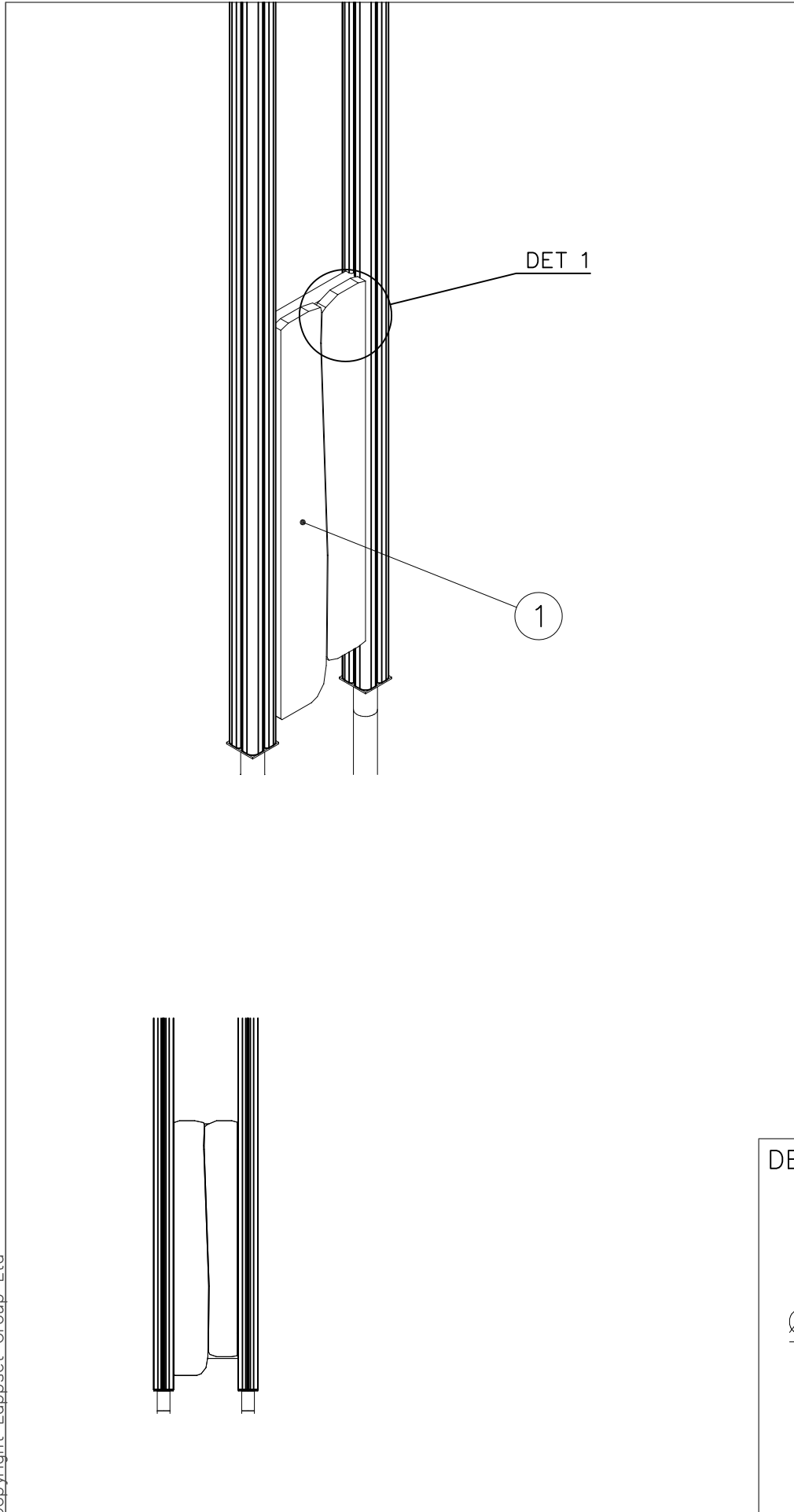
DET 9





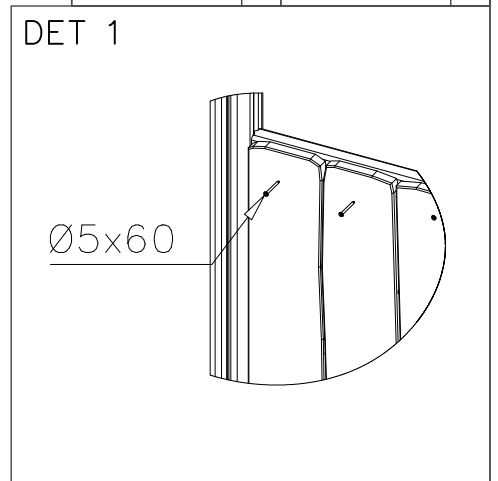


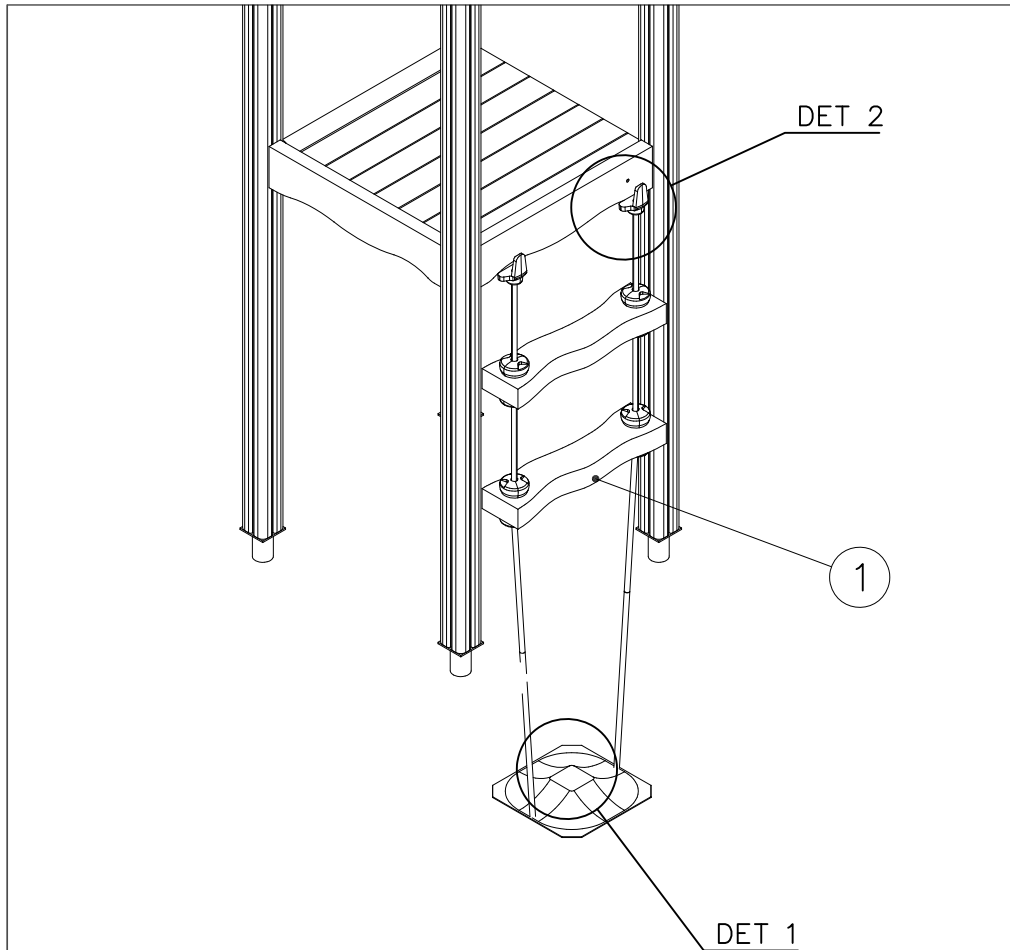
① 709911  15x300x890	PCS	② 980123  Ø7x60	PCS
	1		12
	PCS		PCS
	PCS		PCS
	PCS		PCS
	PCS		PCS
	PCS		PCS



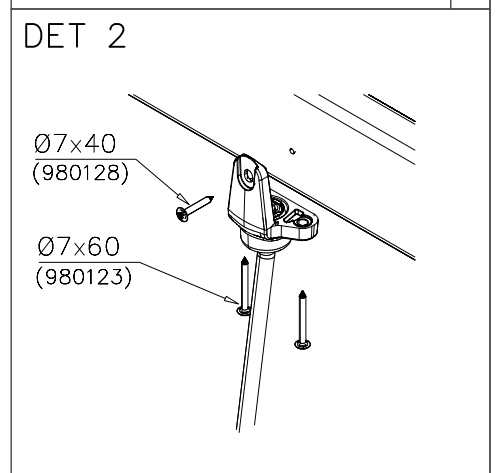
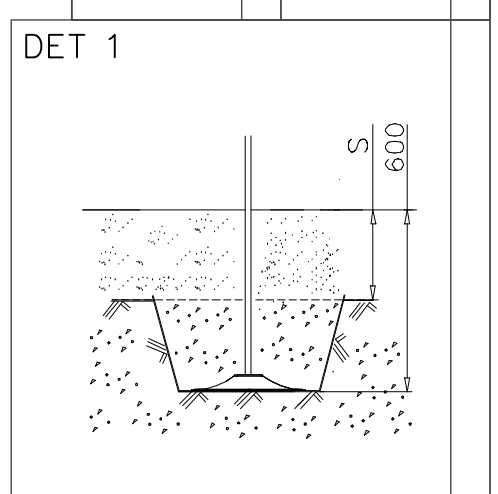
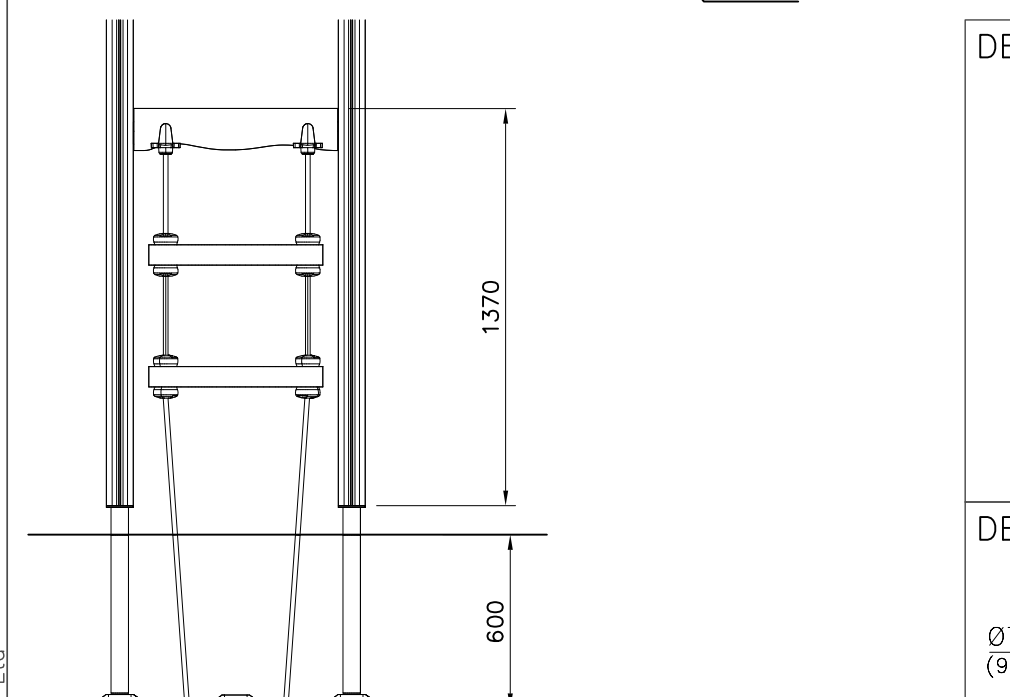


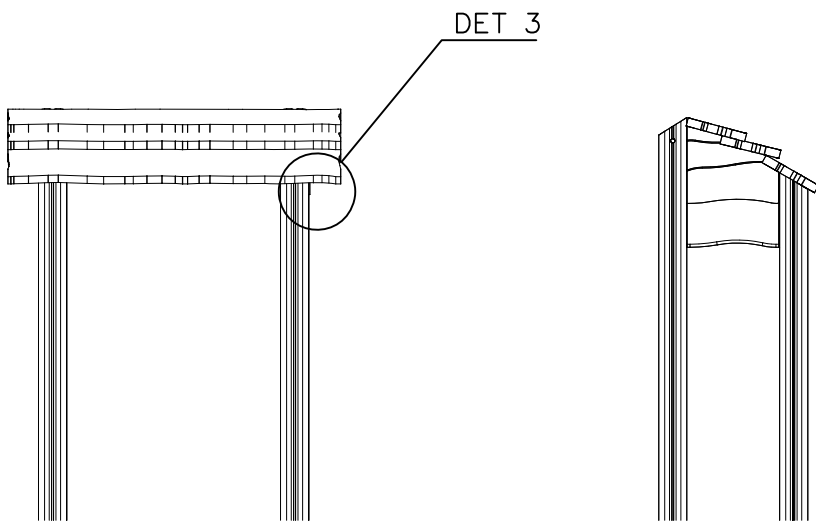
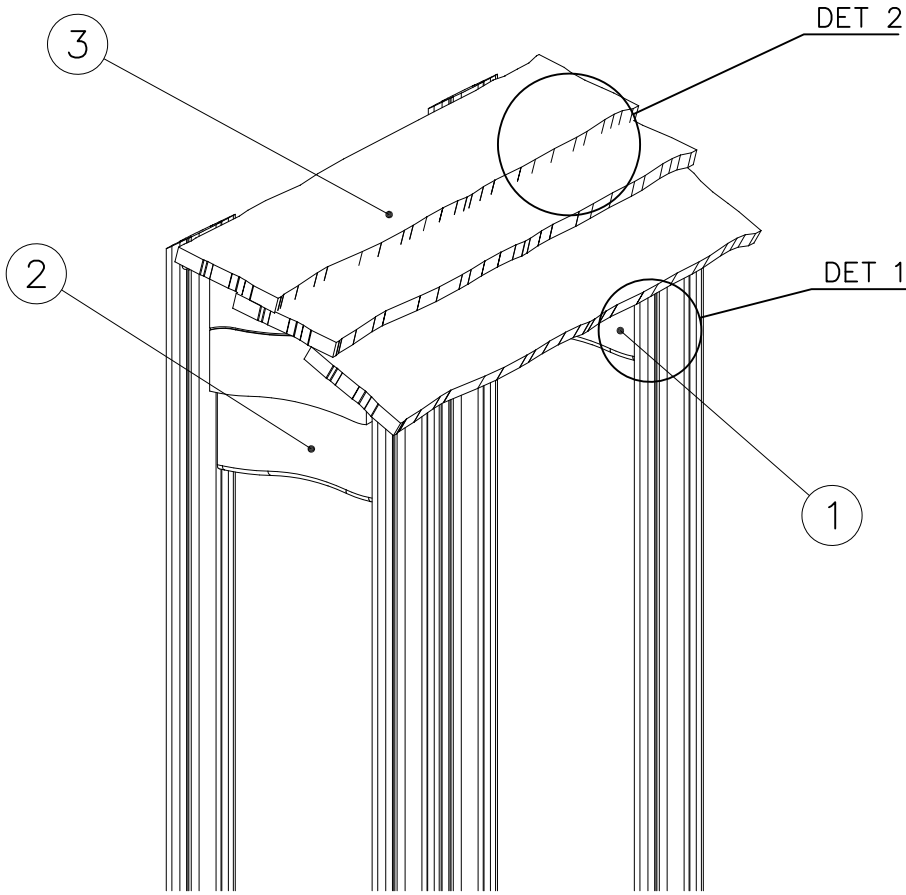
① 709896	PCS	② 980100	PCS
	1		12
28x300x1200		Ø5x60	
	PCS		PCS
	PCS		PCS
	PCS		PCS
	PCS		PCS

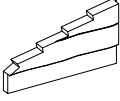
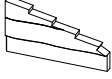

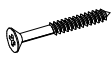





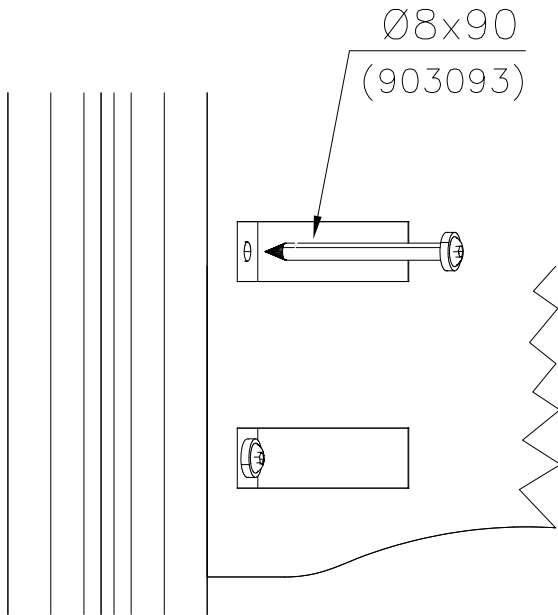
① 708923	PCS	② 980123	PCS
	1		4
		Ø7x60	
③ 980128	PCS		PCS
	2		
Ø7x40			
	PCS		PCS
	PCS		PCS



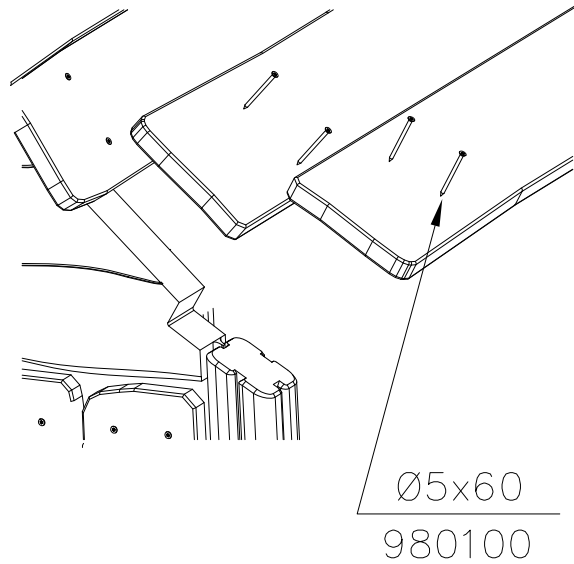


① 710072	PCS	② 710073	PCS
	2		1
68x324x400		68x324x400	
③ 708370	PCS	④ 980100	PCS
	3		12
28x200x1100		Ø5x60	
	PCS	⑤ 903093	PCS
			8
		Ø8x90	
	PCS		PCS
	PCS		PCS
	PCS		PCS

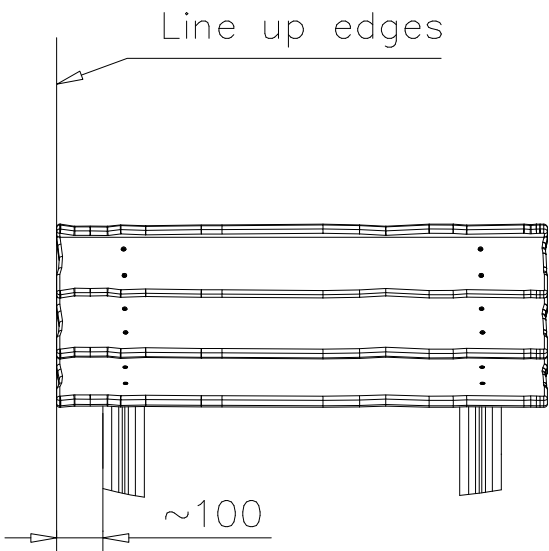
DET 1

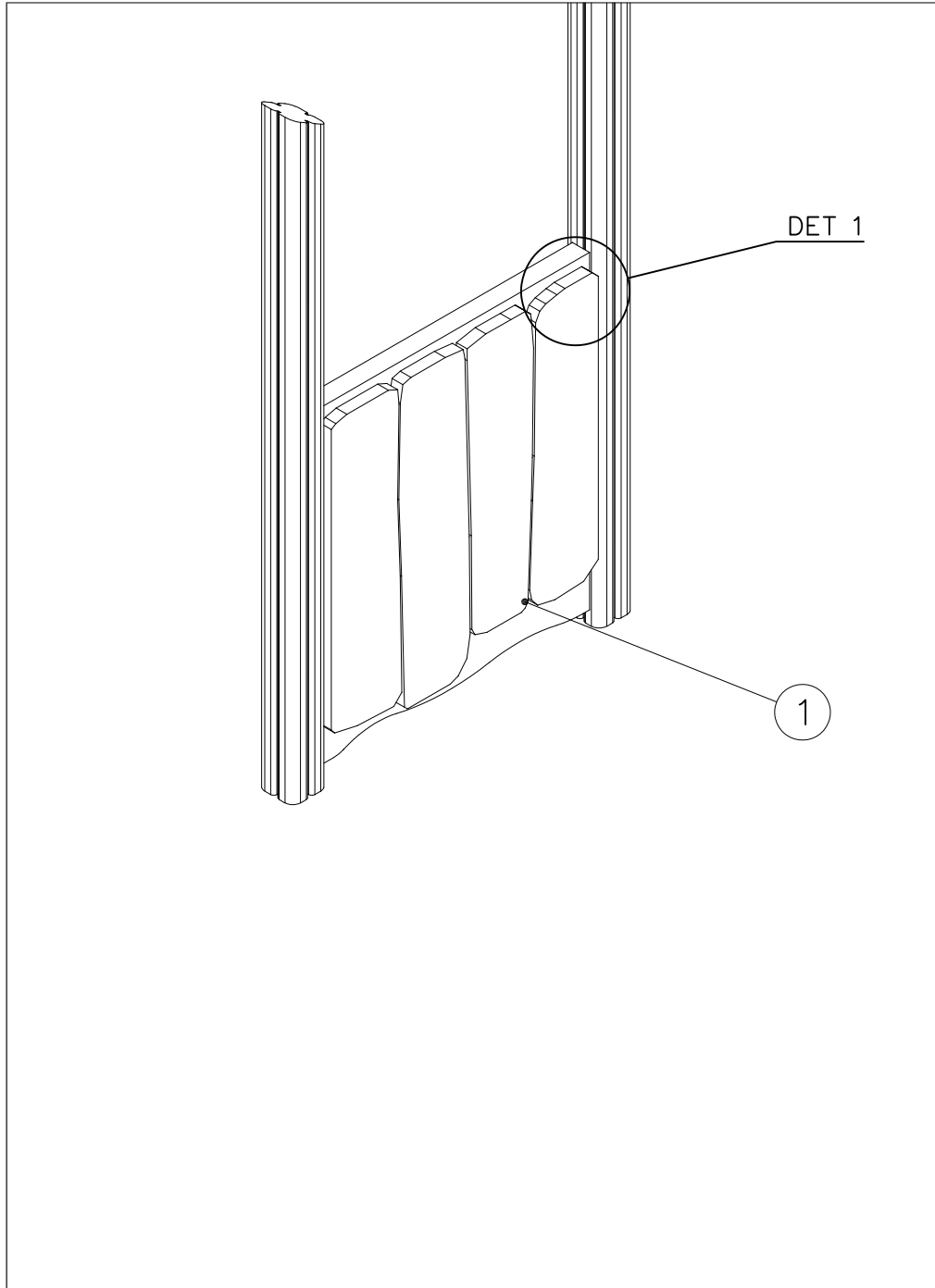


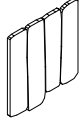
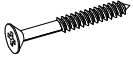
DET 2



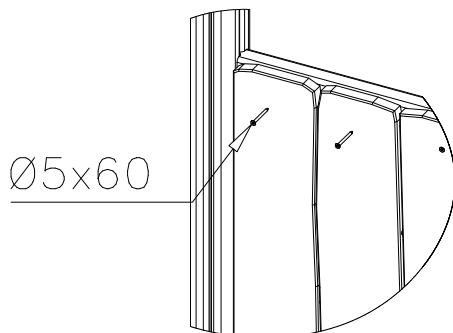
DET 3



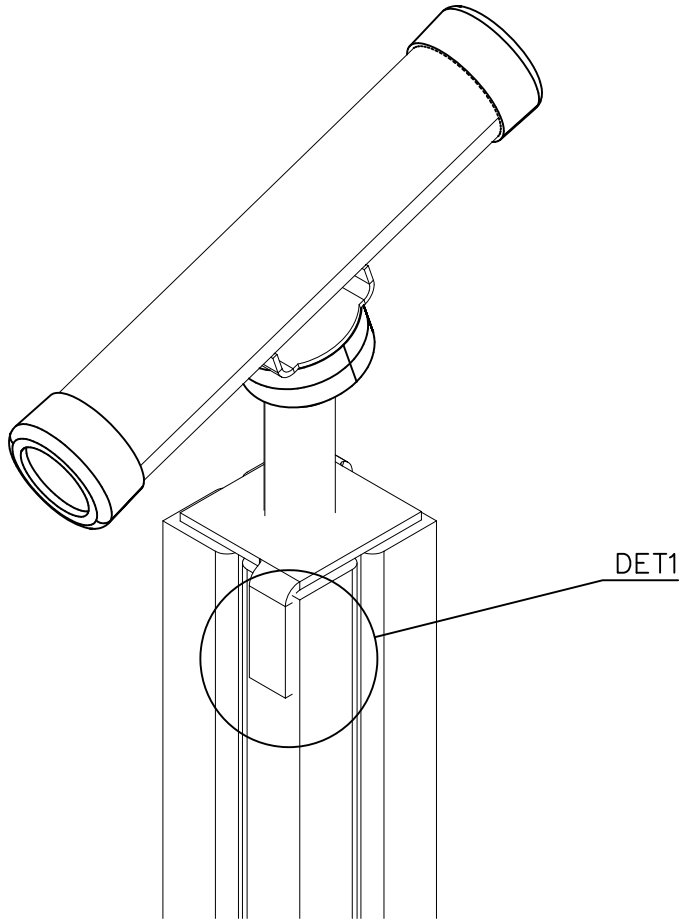


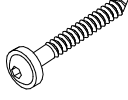
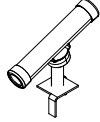
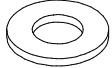
① 708917	PCS	② 980100	PCS
	1		16
			
28x700x745		Ø5x60	
	PCS		PCS
	PCS		PCS
	PCS		PCS
	PCS		PCS

DET 1

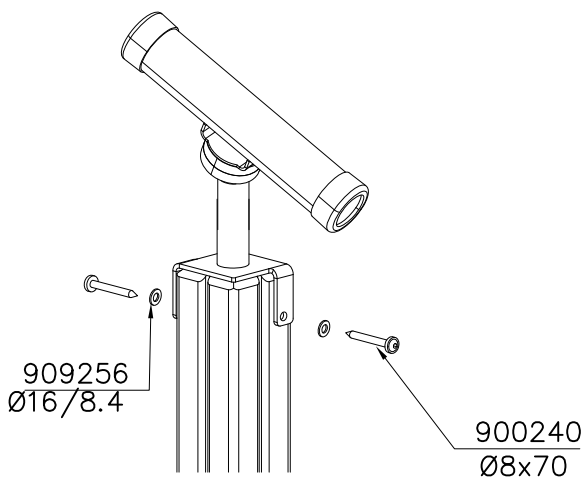


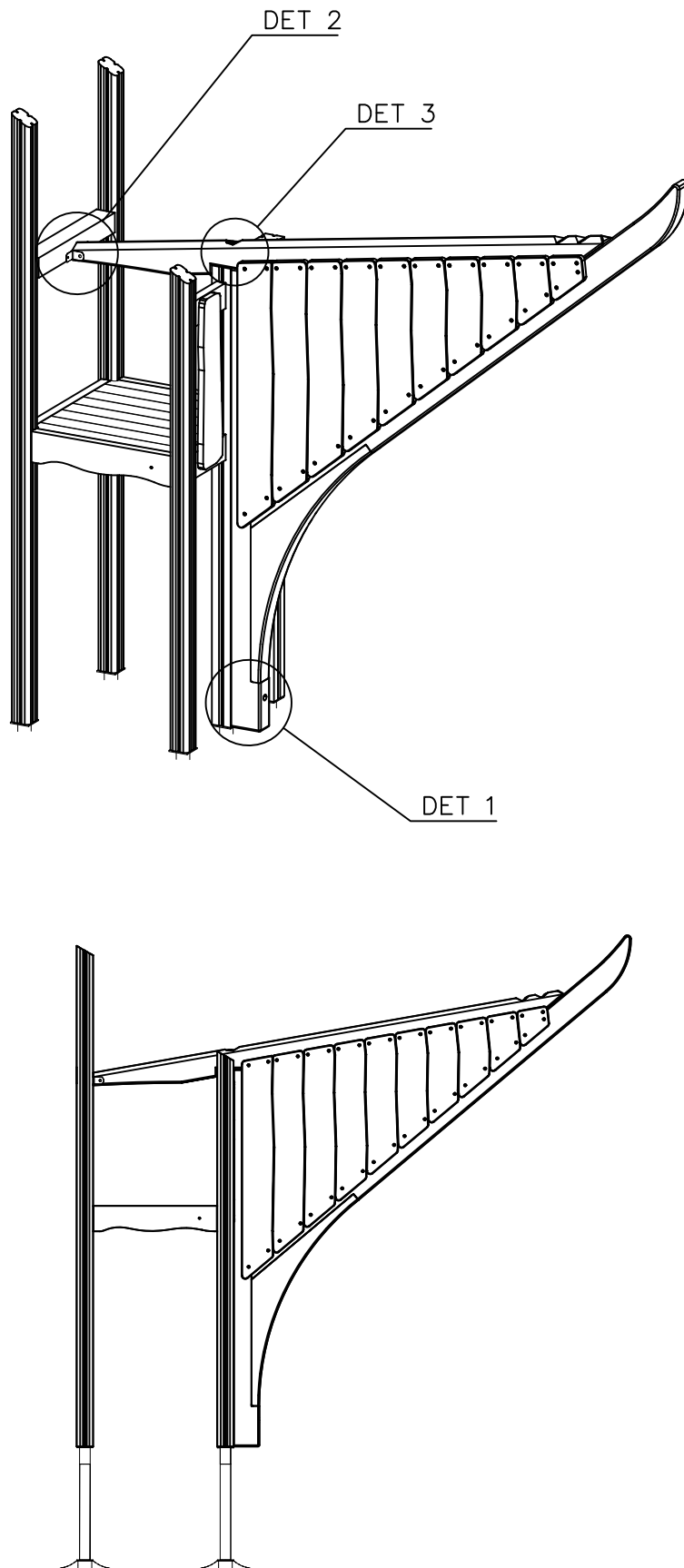
Ø5x60









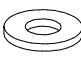

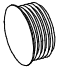
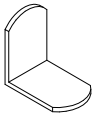


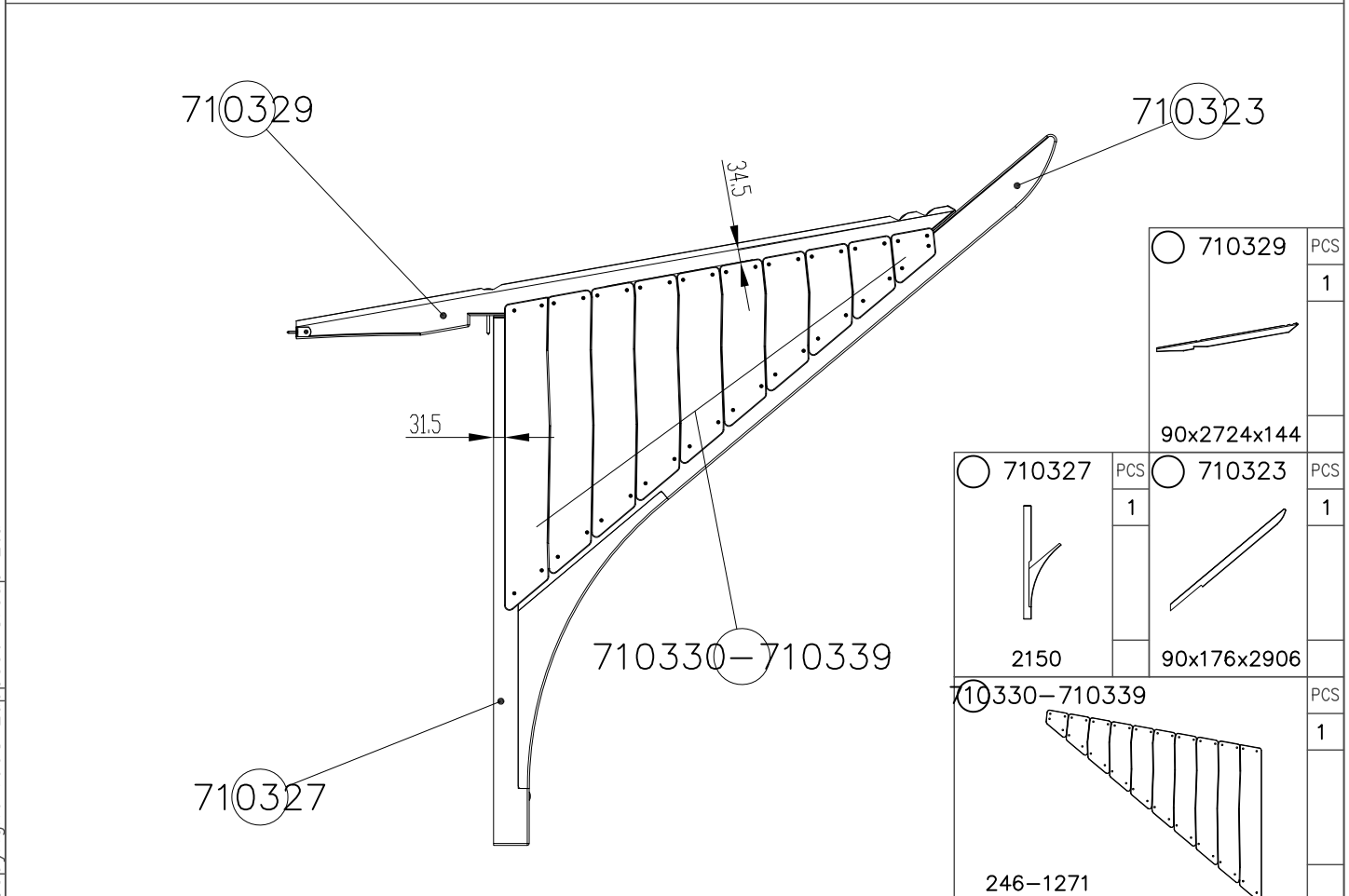
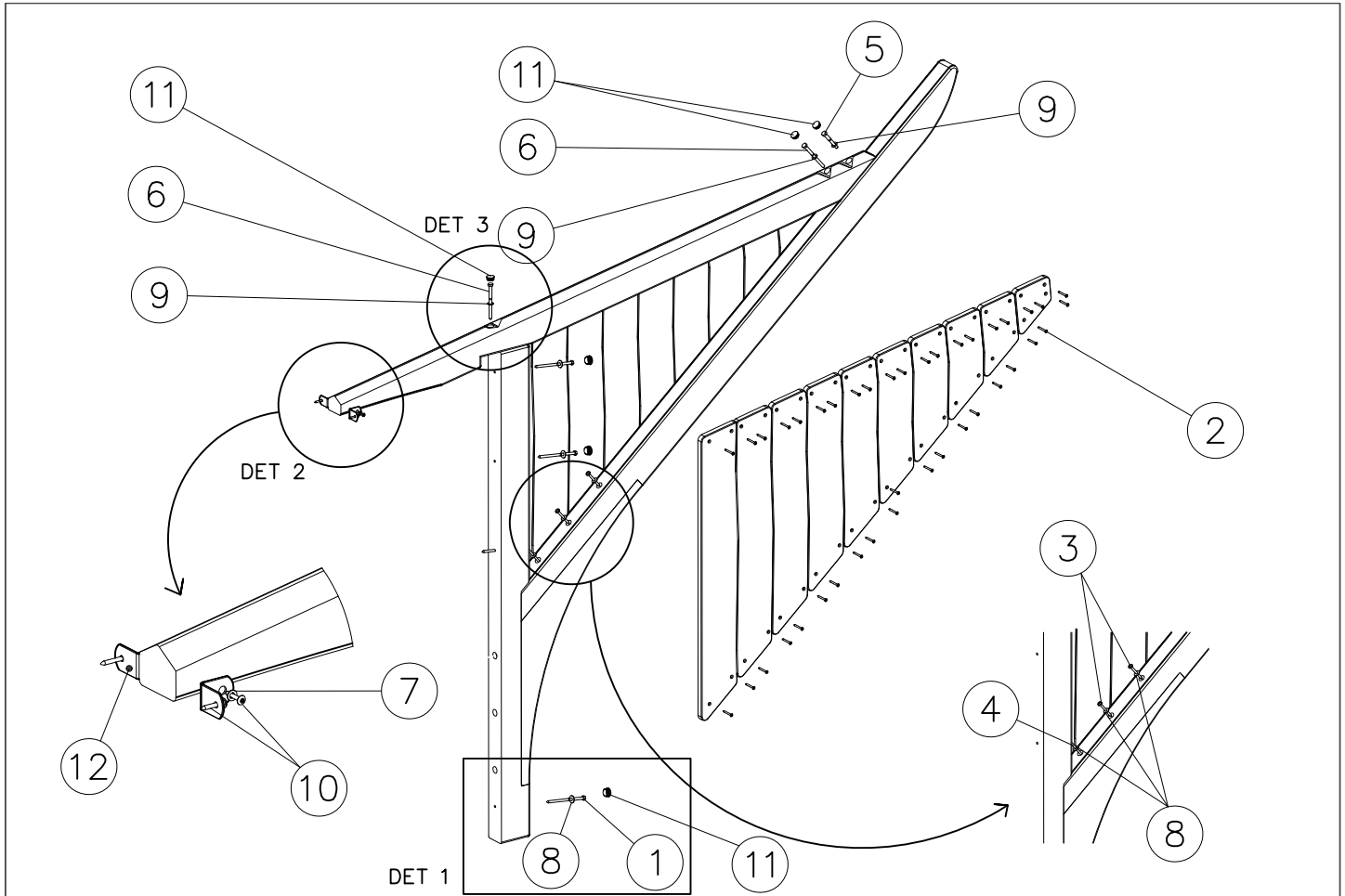
① 900240	PCS	② 707304	PCS
	2		1
Ø8x70			
	PCS	③ 909256	PCS
			2
		Ø16/8.4	
	PCS		PCS
	PCS		PCS
	PCS		PCS
	PCS		PCS
	PCS		PCS
	PCS		PCS

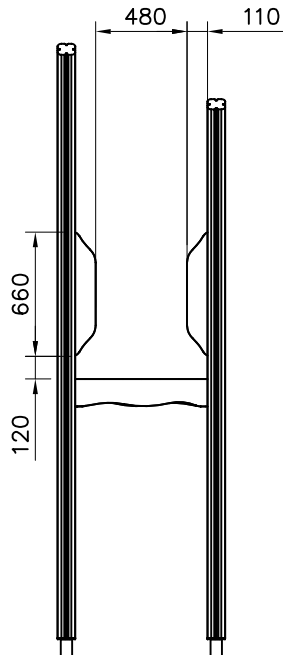
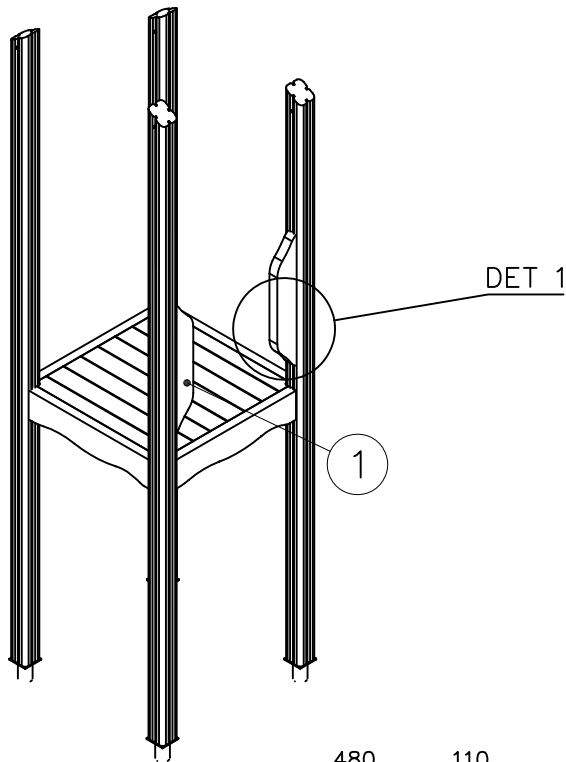
DET 1


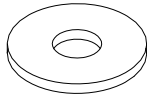

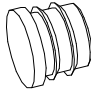




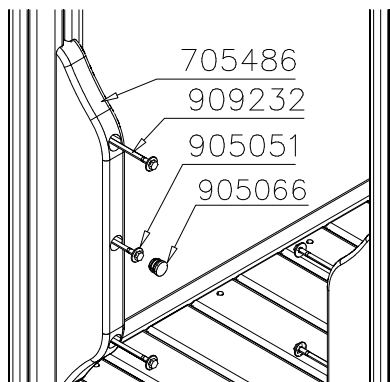
①	909230	PCS	②	980107	PCS
		4			80
					
	8x150			06x60	
③	903093	PCS	④	909232	PCS
		2			1
					
	08x90			8x120	
⑤	909224	PCS	⑥	909222	PCS
		1			2
					
	12x100			12x150	
⑦	980151	PCS	⑧	905051	PCS
		2			7
					
	016/8.4			024/8.4	
⑨	980154	PCS	⑩	980128	PCS
		3			4
					
	024/13			07x40	
⑪	905103	PCS	⑫	905071	PCS
		7			2
					
	PT-28/32-H			113x40x3	
		PCS			PCS
		PCS			PCS

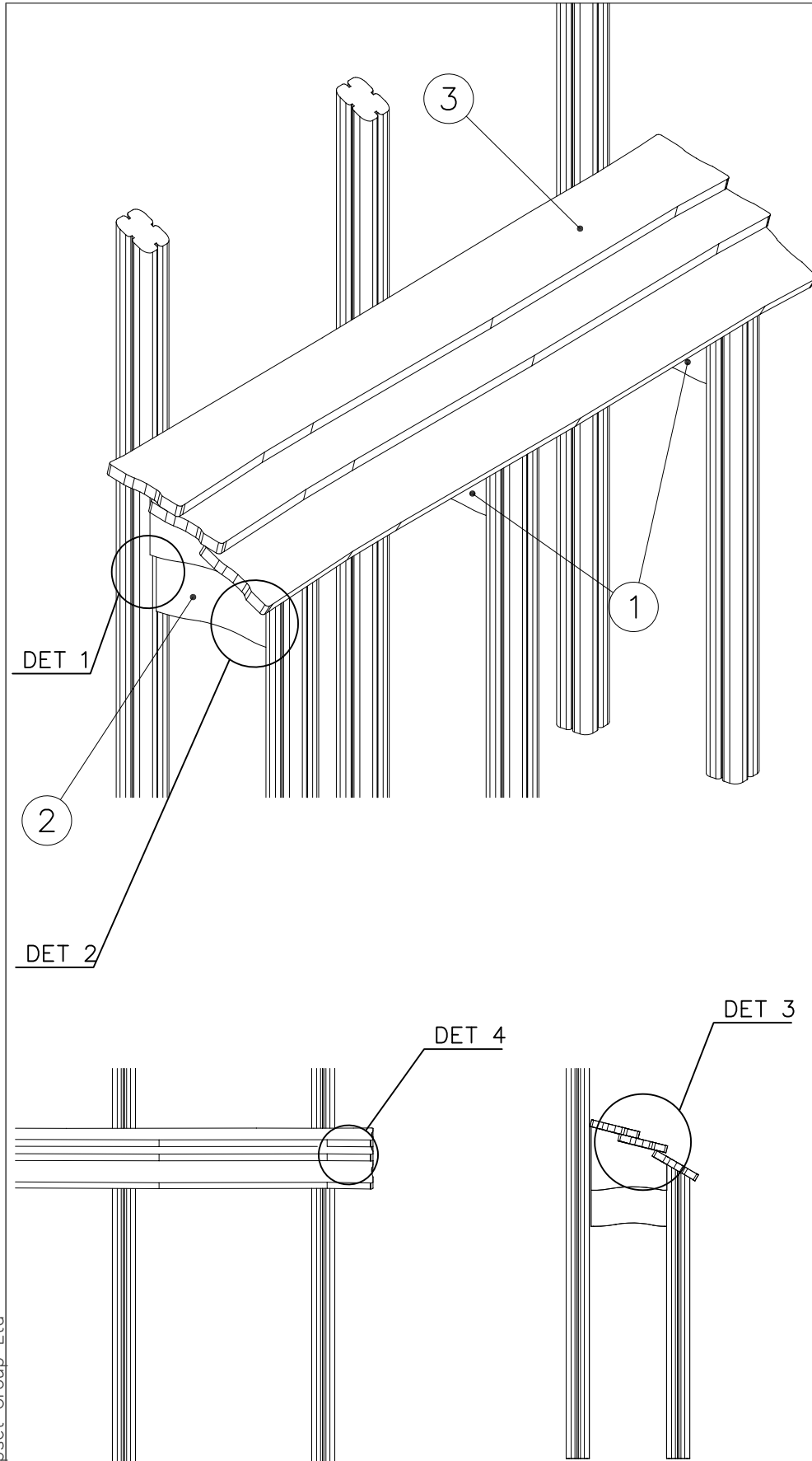


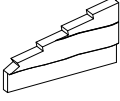
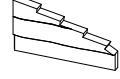
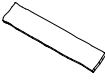

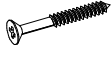


① 705486	PCS	② 905051	PCS
	2		6
45x120x660		Ø24/8.4	
③ 909232	PCS	④ 905066	PCS
	6		6
8x120		S30H	
	PCS		PCS
	PCS		PCS
	PCS		PCS
	PCS		PCS

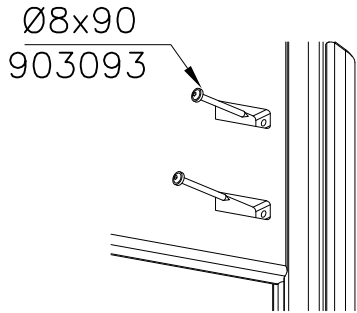
DET 1



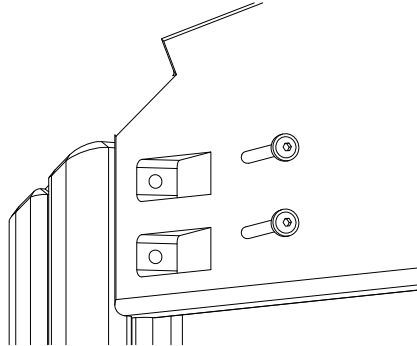


① 710072	PCS	② 710073	PCS
	2		1
68x324x400		68x324x400	
③ 708372	PCS	④ 903093	PCS
	3		12
28x200x2000		Ø8x90	
	PCS	⑤ 980100	PCS
			18
		Ø5x60	
	PCS		PCS
	PCS		PCS
	PCS		PCS

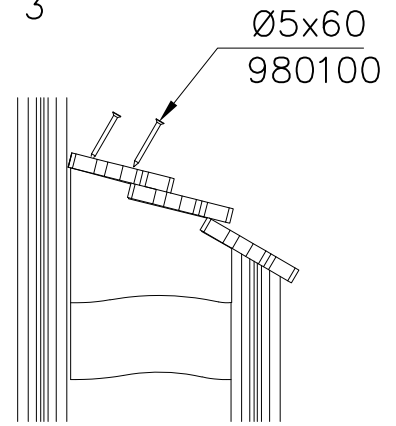
DET 1



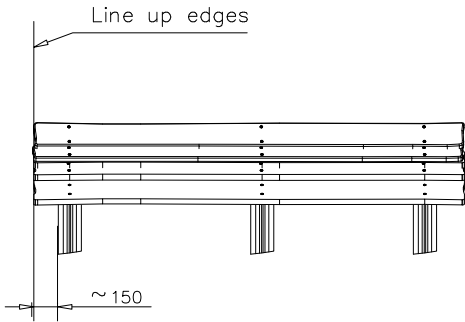
DET 2

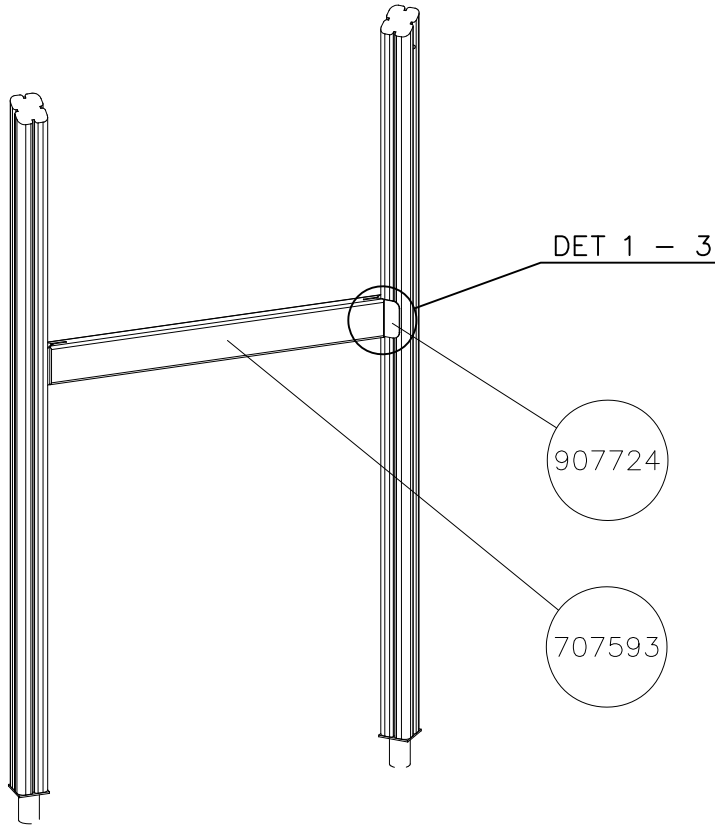


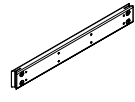
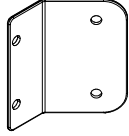
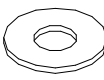
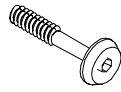
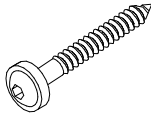
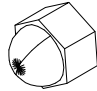
DET 3

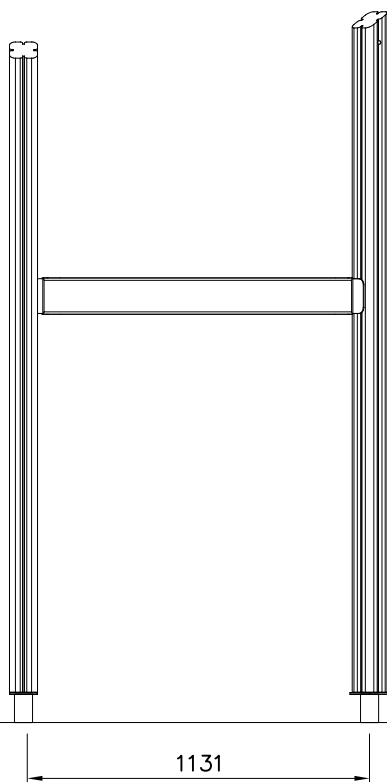


DET 4

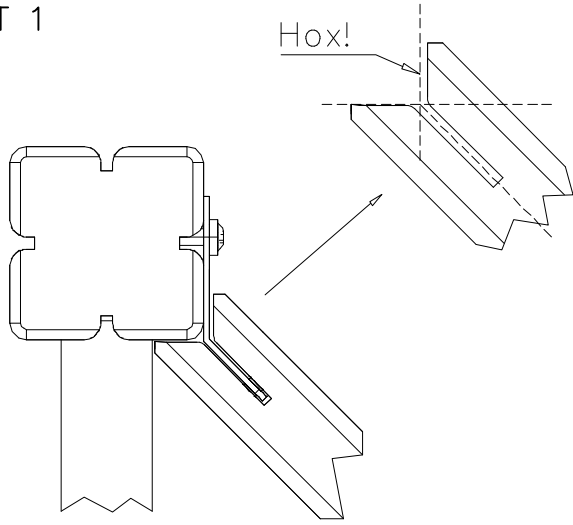




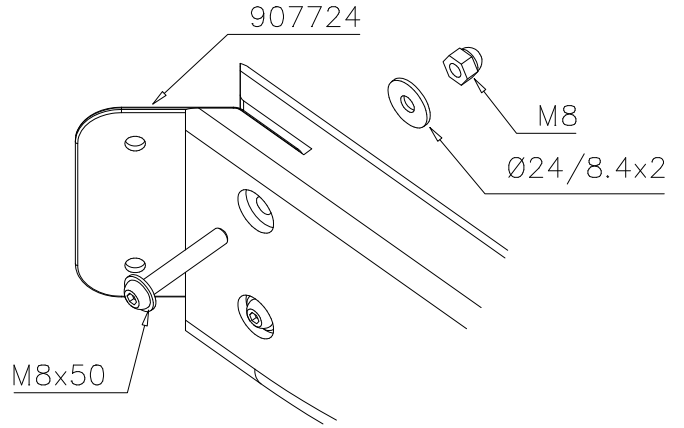
① 707593	PCS	② 907724	PCS
	1		2
45x120x1031			
③ 980152	PCS	④ 909868	PCS
	4		4
Ø24/8.4		M8x50	
⑤ 900240	PCS	⑥ 909633	PCS
	4		4
Ø8x70		M8	
	PCS		PCS



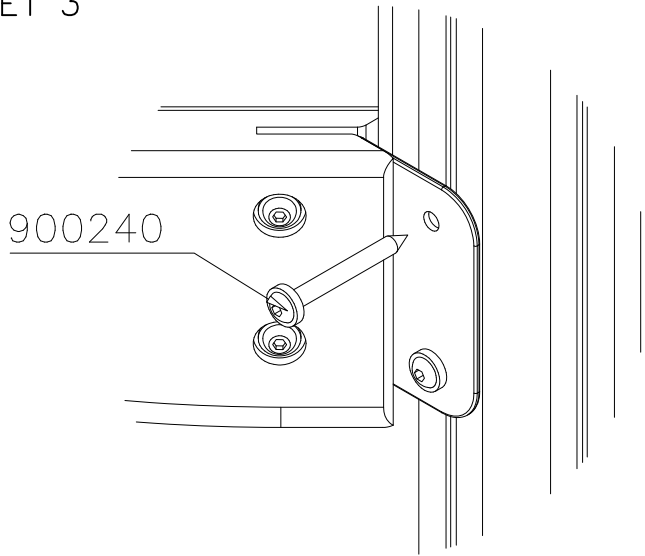
DET 1



DET 2



DET 3



LAPPSET®

DEEP FOUNDATION

711559

DATE: 12.9.2024

1(3)

① 905051	PCS	② 909519	PCS
	2		2
Ø24/8.4		50x380x380	
③ 909867	PCS	④ 909633	PCS
	2		2
M8x70		M8	
⑤ 903093	PCS		PCS
	4		
Ø8x90			
○ 706462	PCS		PCS
	1		
+1470			

M12
(909248)

ROPE LADDER COLOR OPTIONS

	706462-303	BEIGE
--	------------	-------

Ø8x90
903093

45°

Pre Drill (X)

Ø9

352

30

50

M8x70

Ø24/8.4

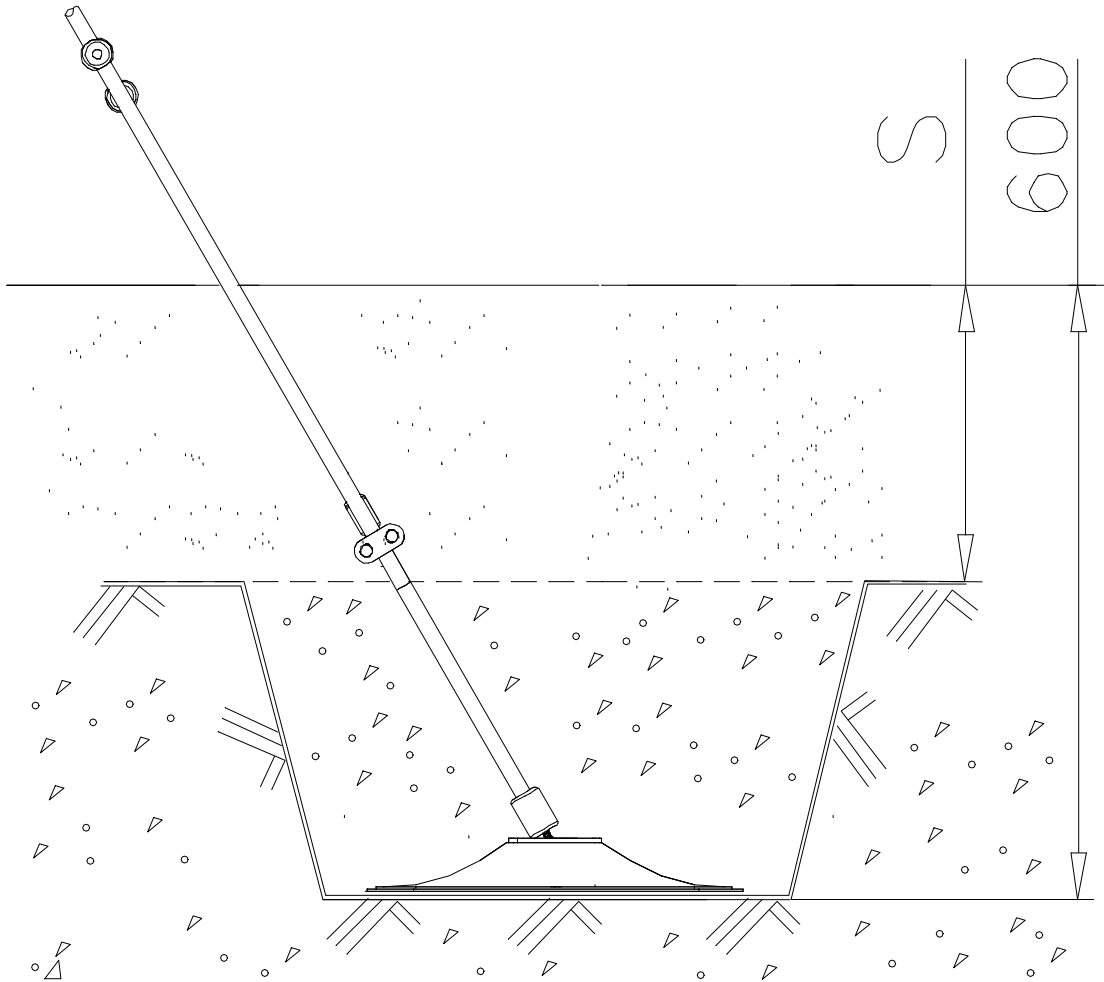
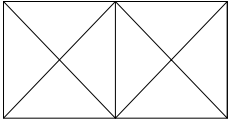
M8

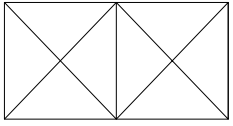
LAPPSET®
DEEP FOUNDATION

711559

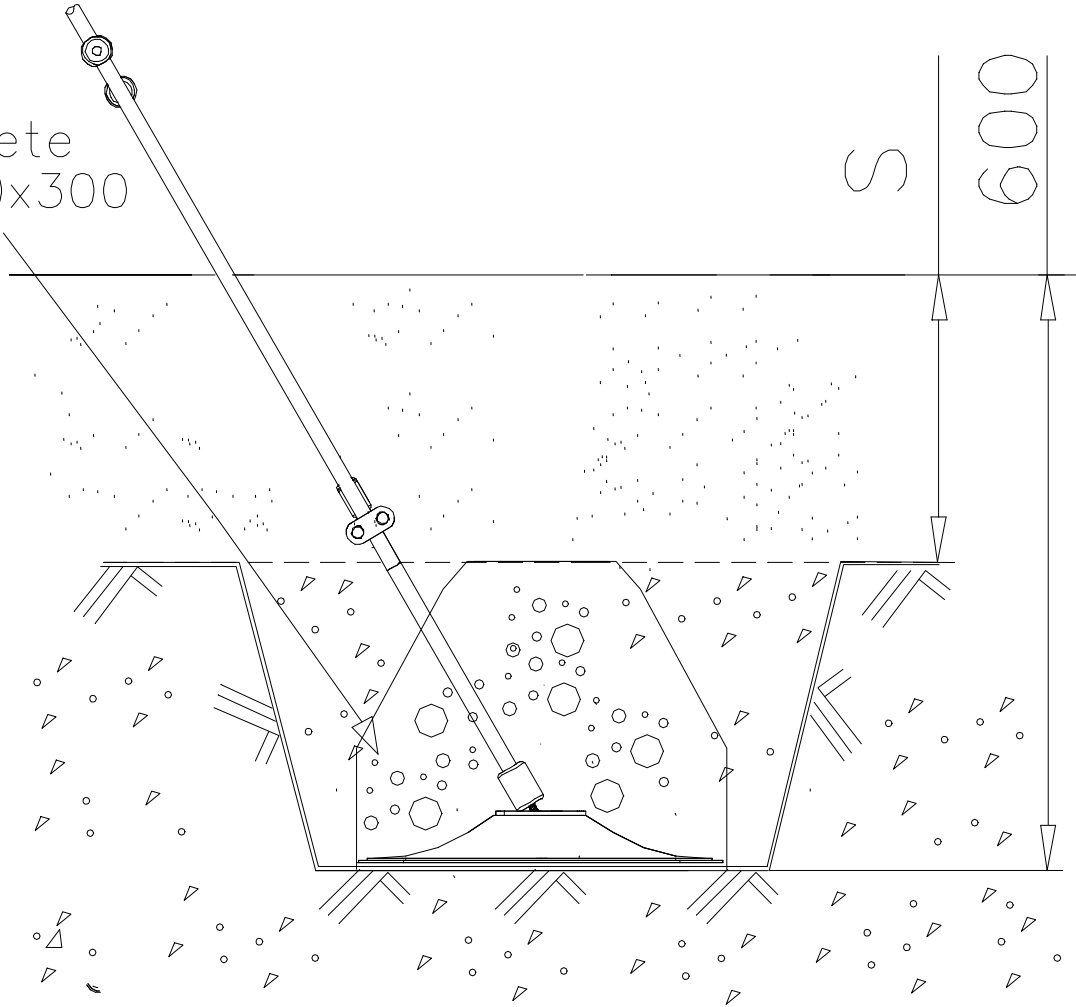
DATE: 12.9.2024

2(3)

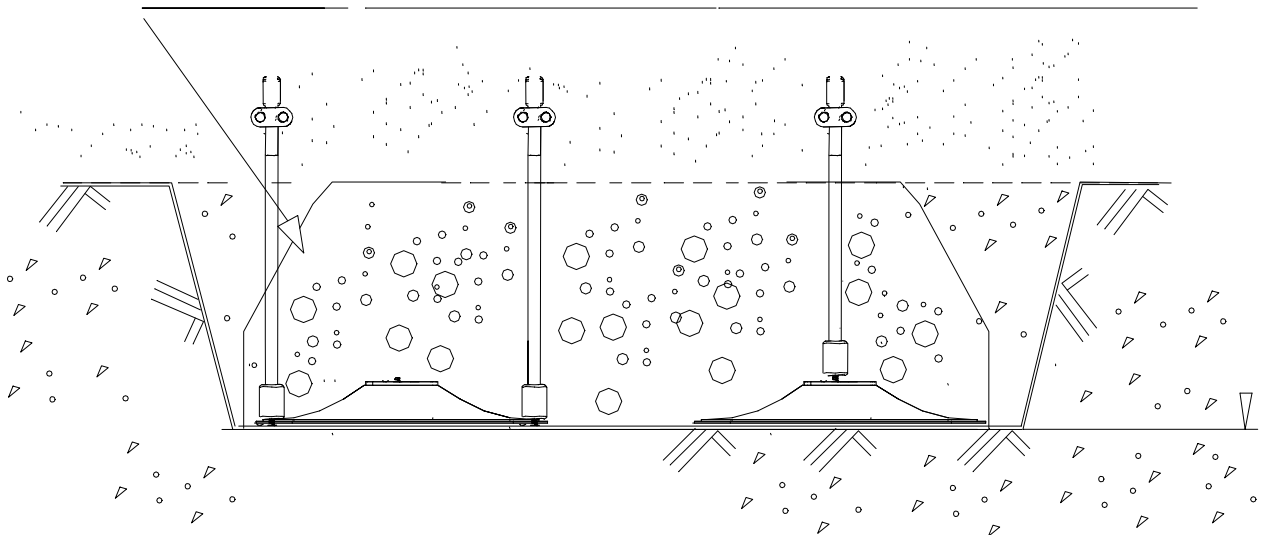


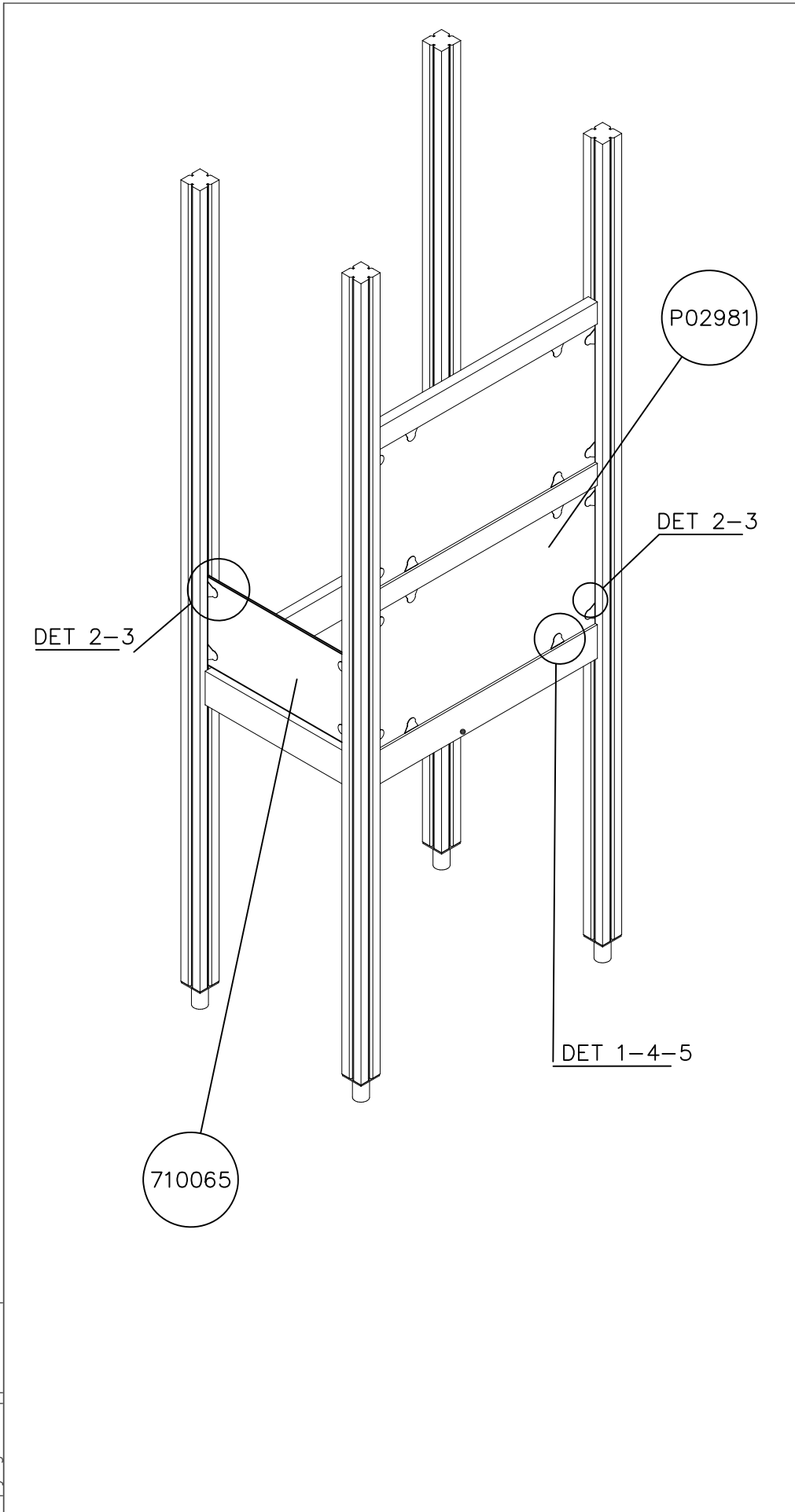


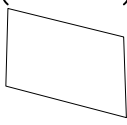
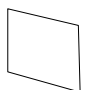
Concrete
1000x500x300

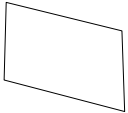

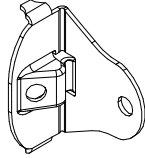
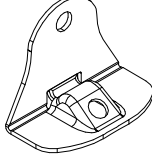
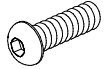

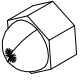
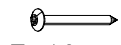
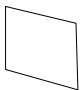

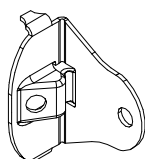
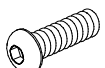

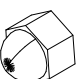


Concr de
1000x500x300

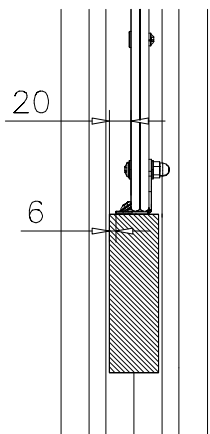




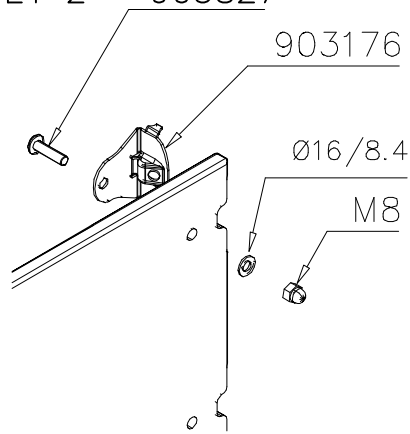
① P02981 (A00549)	PCS		PCS
			
12x595x1100			
② 710065 (A00553)	PCS		PCS
			
12x380x700			
	PCS		PCS
	PCS		PCS
	PCS		PCS
	PCS		PCS
	PCS		PCS

 <p>P02981 (A00549)</p>	<p>980123</p>  <p>7x60</p>	PCS 4	 <p>903176</p>	PCS 4	 <p>903215</p>	PCS 4	 <p>905827</p> <p>M8x25</p>	PCS 8	 <p>909256</p> <p>Ø16/8.4</p>	PCS 8	 <p>909633</p> <p>M8</p>	PCS 8
	<p>980128</p>  <p>7x40</p>	PCS 4		PCS		PCS		PCS		PCS		PCS
		PCS		PCS		PCS		PCS		PCS		PCS
 <p>710065 (A00553)</p>	<p>980123</p>  <p>Ø7x60</p>	PCS 4	 <p>903176</p>	PCS 4	 <p>905827</p> <p>M8x20</p>	PCS 4	 <p>909256</p> <p>Ø16/8.4</p>	PCS 4	 <p>909633</p> <p>M8</p>	PCS 4		
				PCS		PCS		PCS		PCS	PCS	
		PCS		PCS		PCS		PCS		PCS		PCS

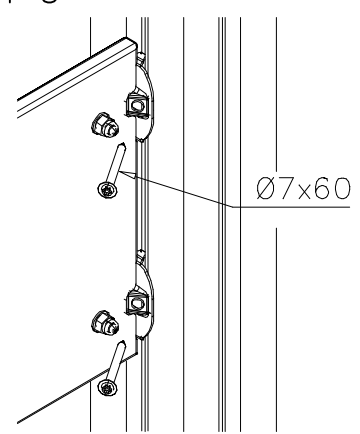
DET 1



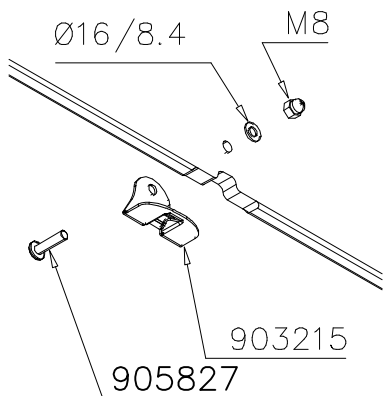
DET 2



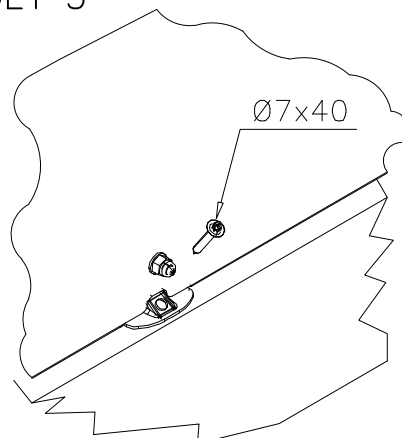
DET 3



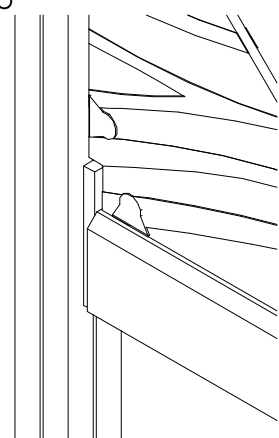
DET 4



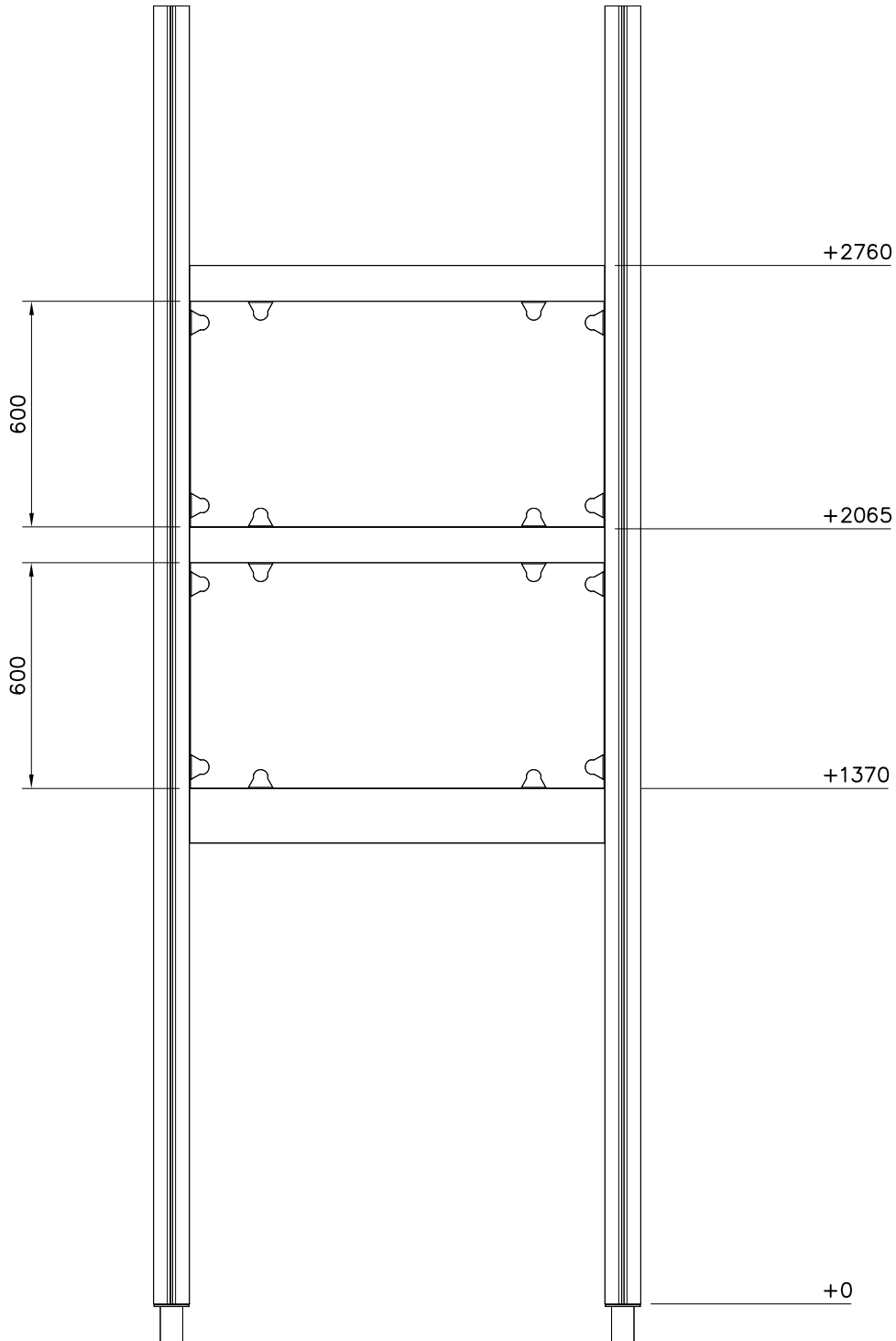
DET 5

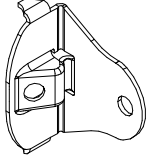
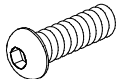
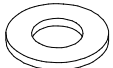
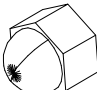
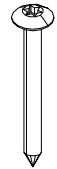
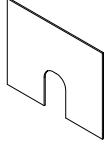


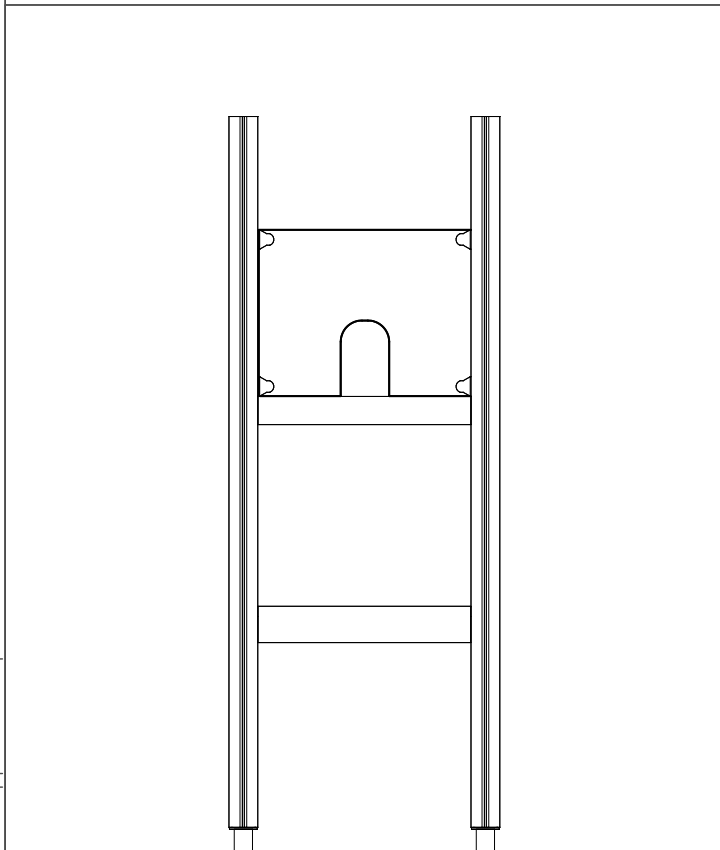
DET 6



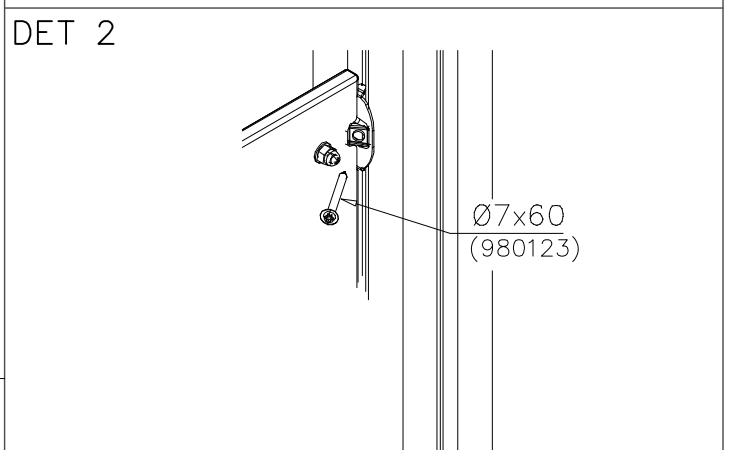
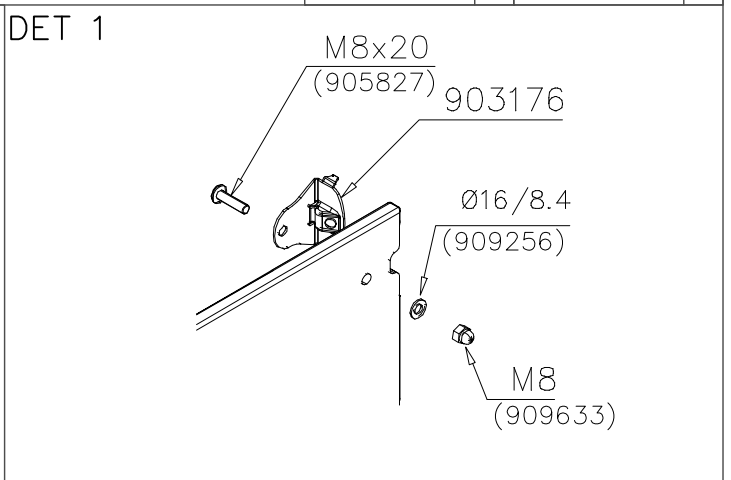
EXAMPLE ASSEMBLY!

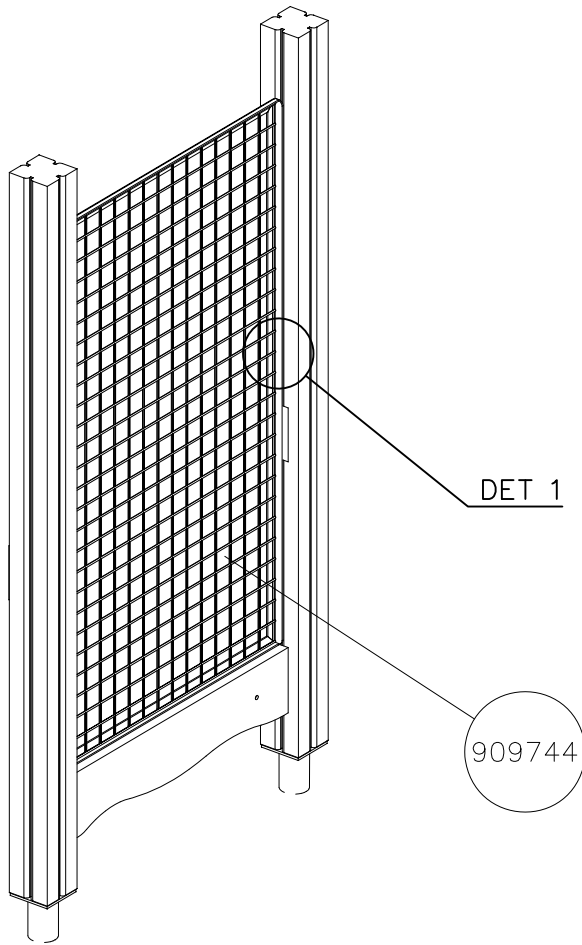


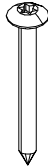


<p>① 903176 PCS 4</p> 	<p>② 905827 PCS 4</p>  <p>M8x20</p>
<p>③ 909256 PCS 8</p>  <p>Ø16/8.4x1.6</p>	<p>④ 909633 PCS 4</p>  <p>M8</p>
<p>⑤ 980123 PCS 4</p>  <p>Ø7x60</p>	<p>⑥ P08265 PCS 1</p>  <p>12x550x702</p>
PCS	PCS



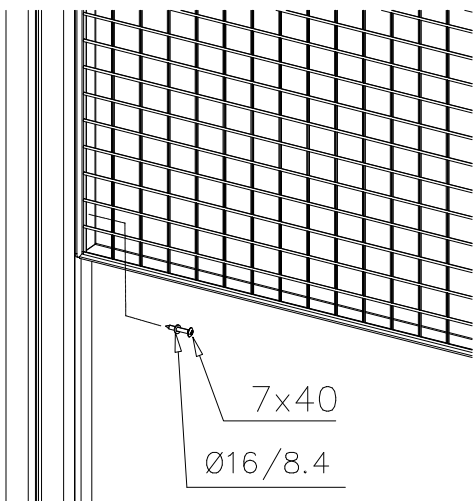
800

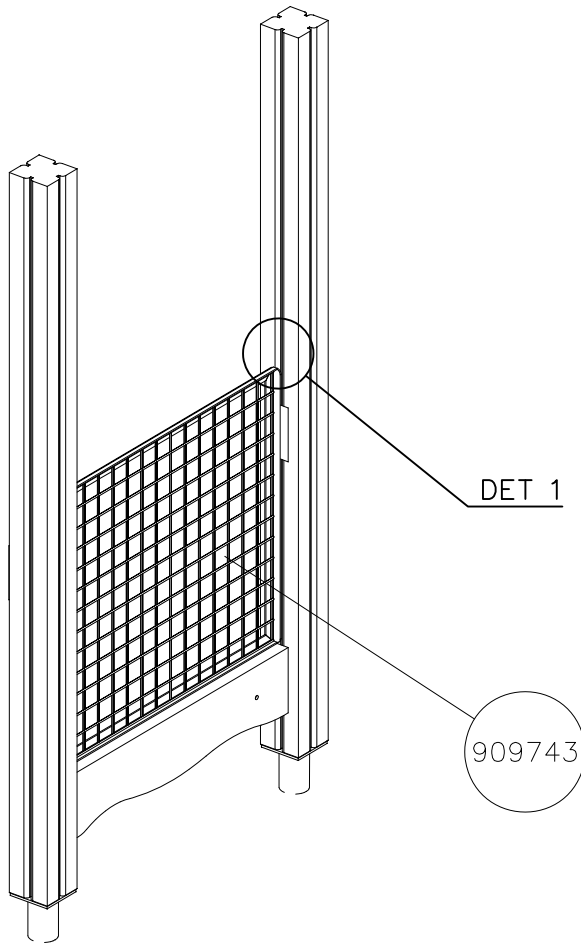


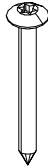

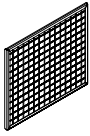


① 980128	PCS	② 909256	PCS
	16		16
Ø7x40		Ø16/8.4	
	PCS	③ 909744	PCS
			1
		705x1212	
	PCS		PCS
	PCS		PCS
	PCS		PCS

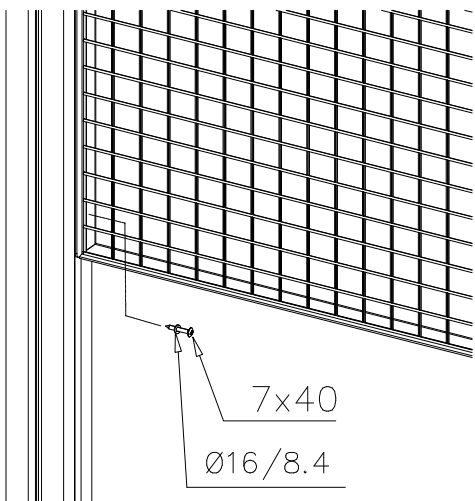
DET 1

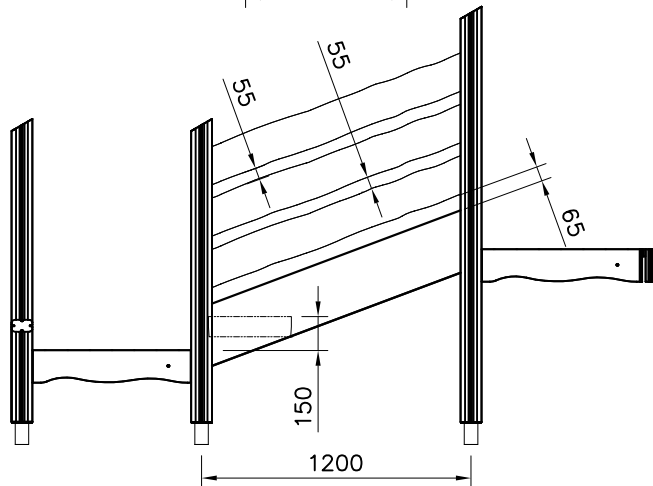
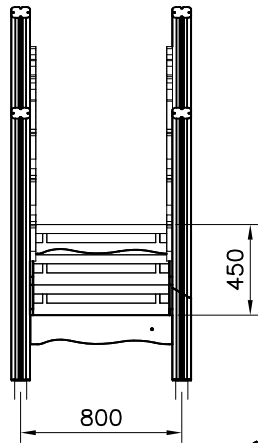
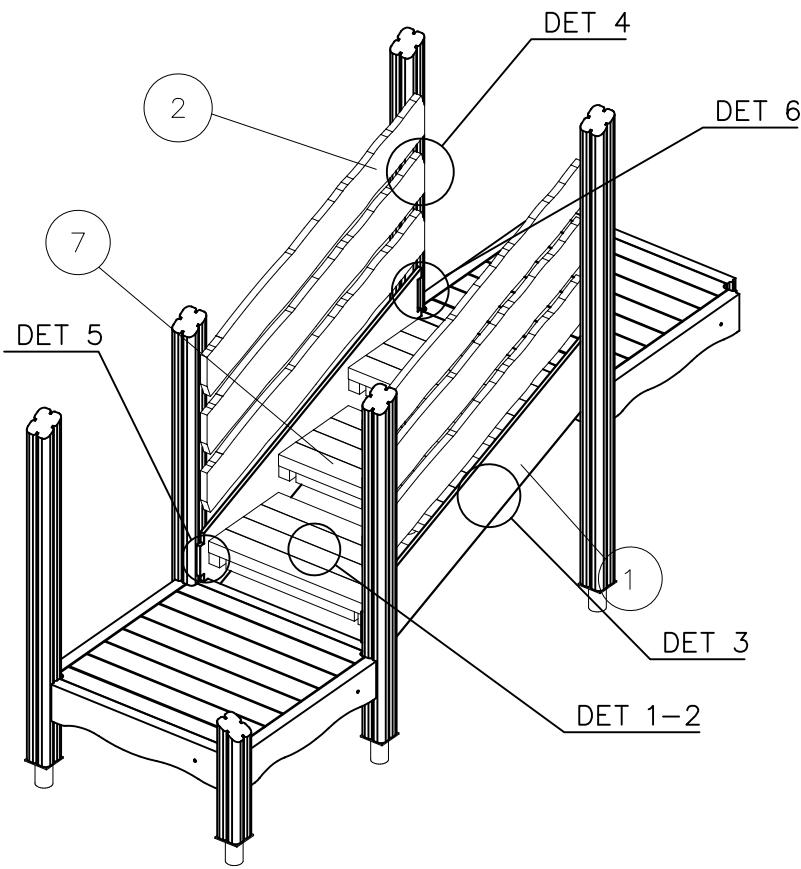




① 980128	PCS	② 909256	PCS
	8		8
Ø7x40		Ø16/8.4	
	PCS	③ 909743	PCS
			1
		705x612	
	PCS		PCS
	PCS		PCS
	PCS		PCS

DET 1

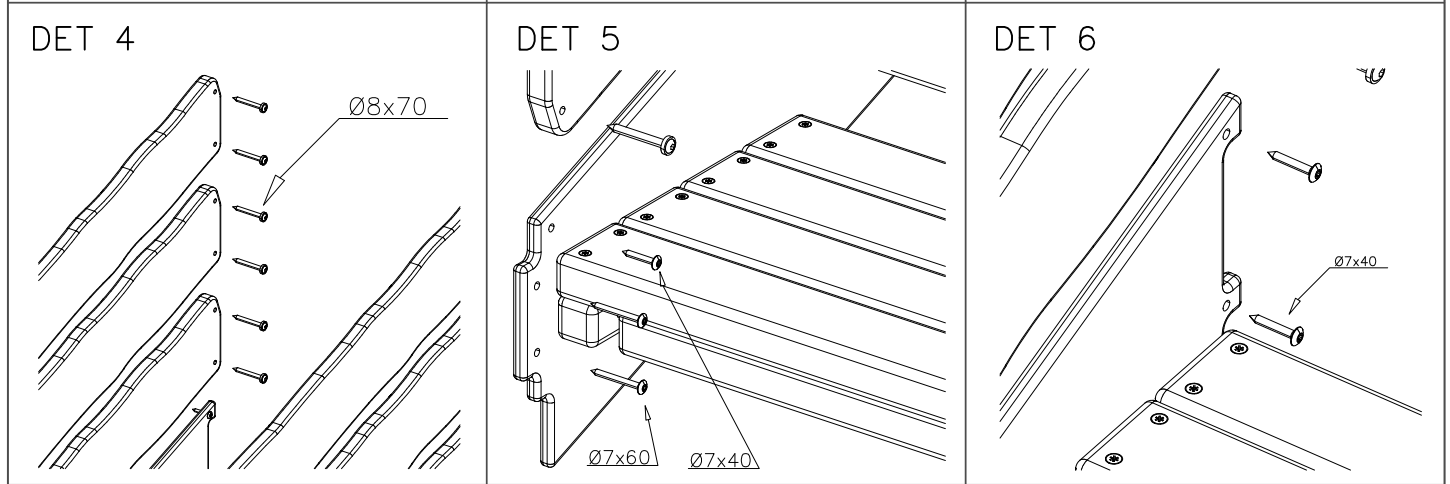
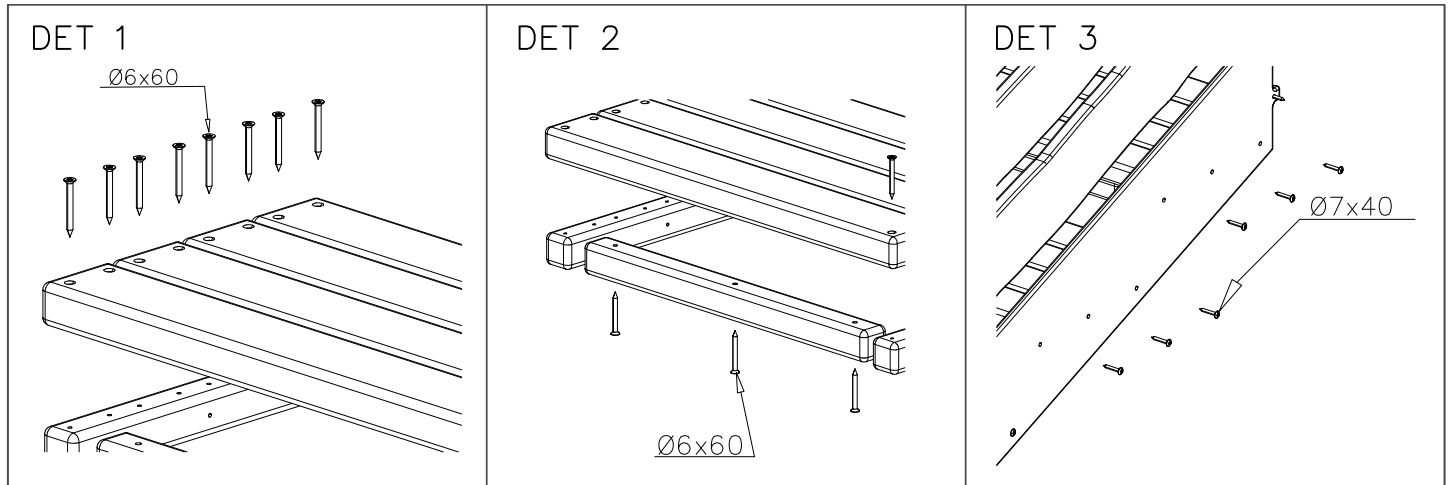




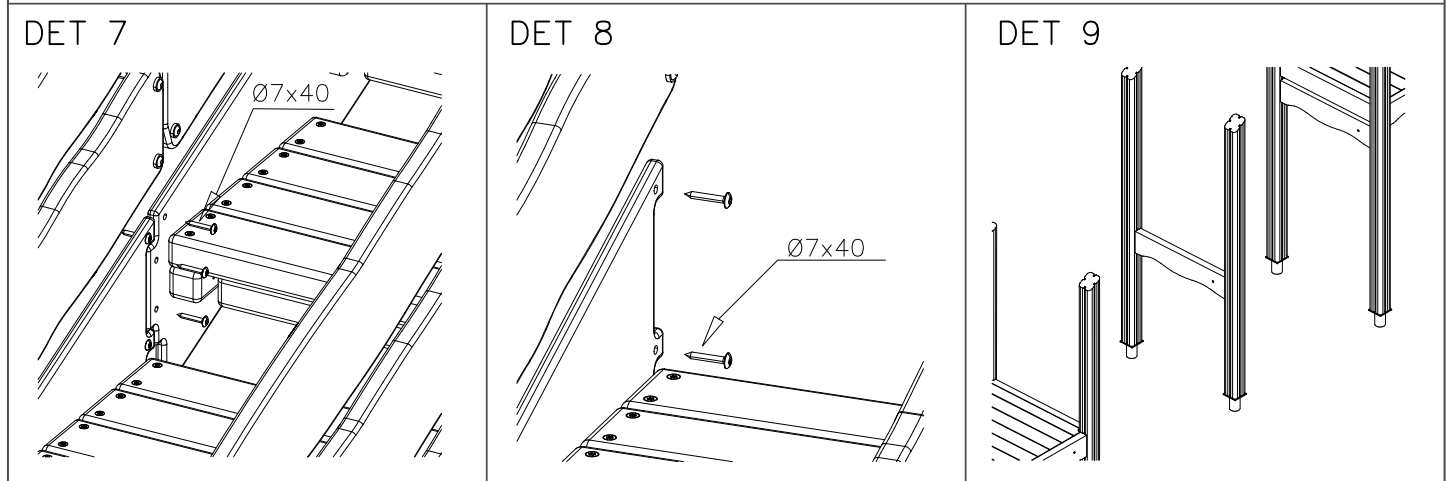
① 709832	PCS	② 709332	PCS
	2		6
15x292x1360		28x160x1300	
③ 900240	PCS	⑤ 980123	PCS
	24		4
Ø8x70		Ø7x60	
⑥ 980128	PCS	⑦ 709348	PCS
	24		3
Ø7x40		90x385x672	
	PCS		PCS

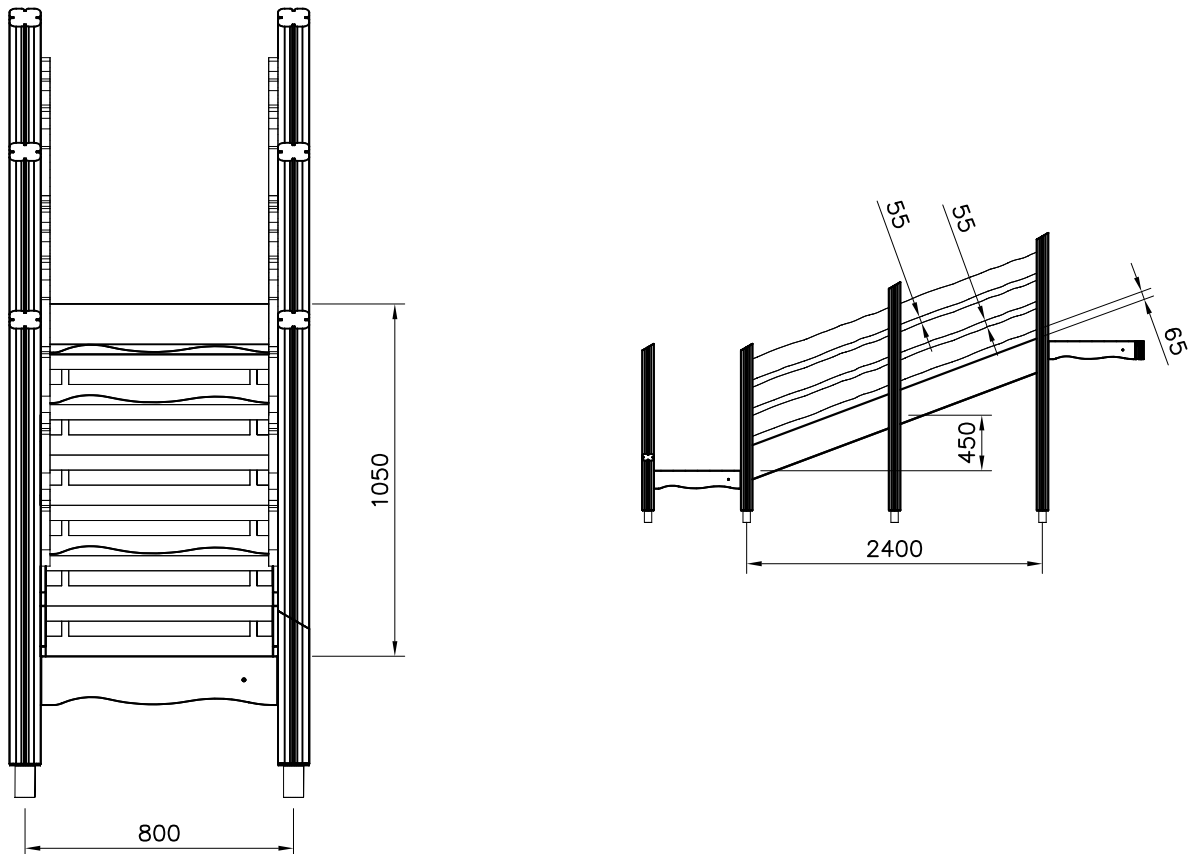
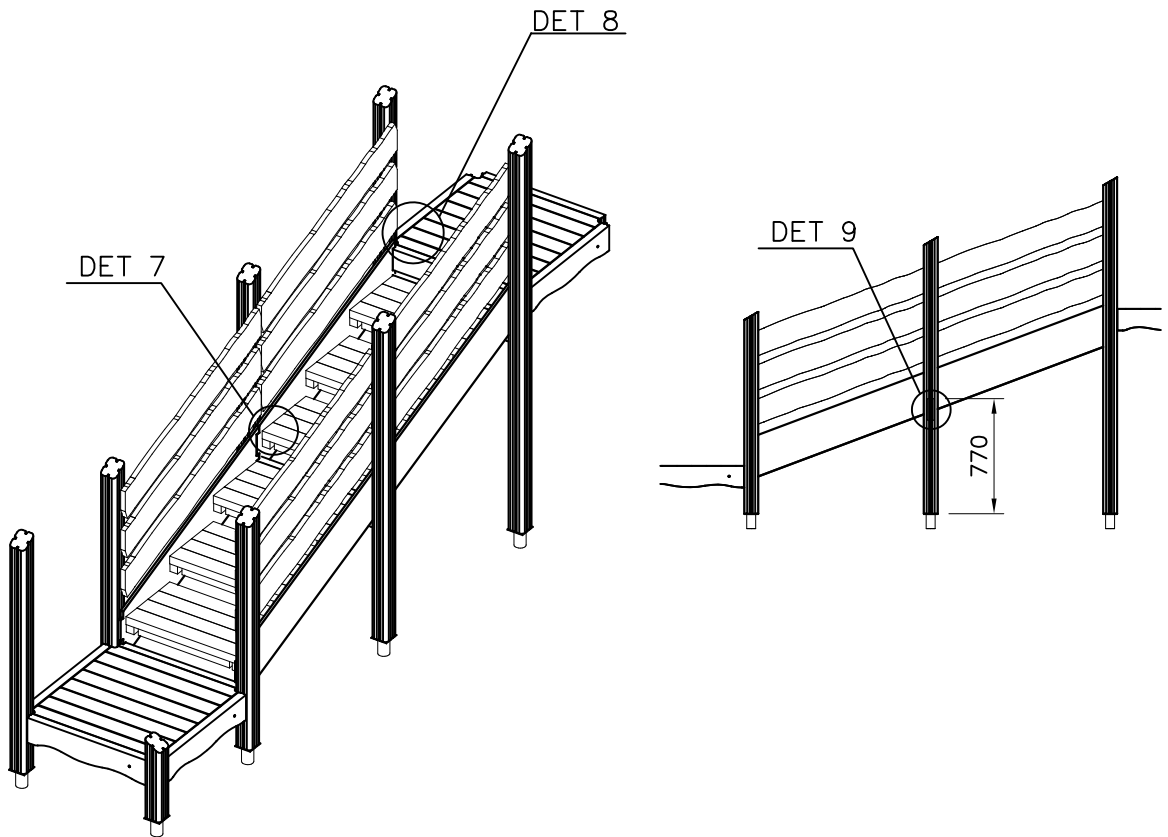
Step materials

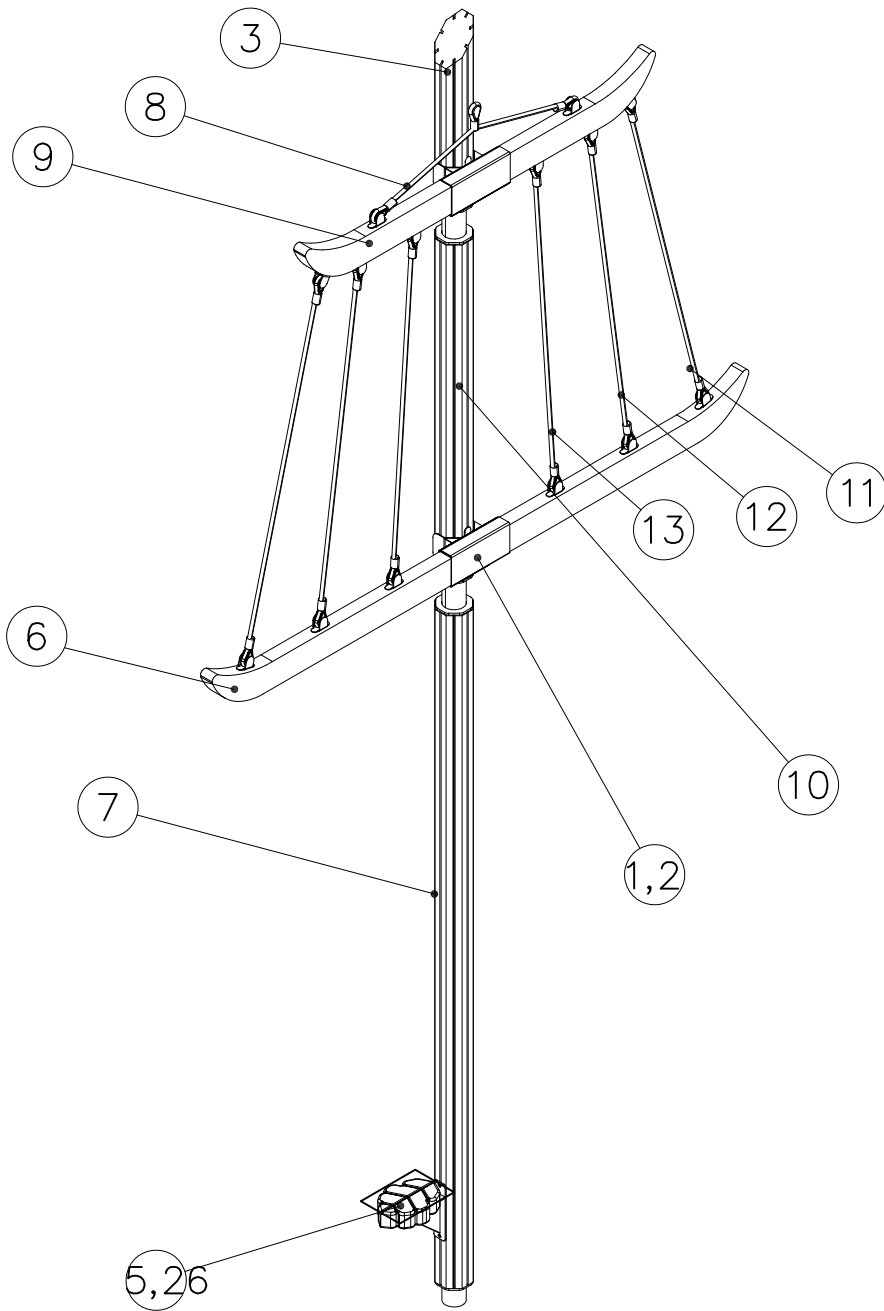
○ 711571	PCS	○ 707858	PCS
	2		1
45x45x380		45x45x540	
○ 709344	PCS	④ 980107	PCS
	4		19
45x95x672		Ø6x60	
	PCS		PCS



Double stairs need 2 x 711570

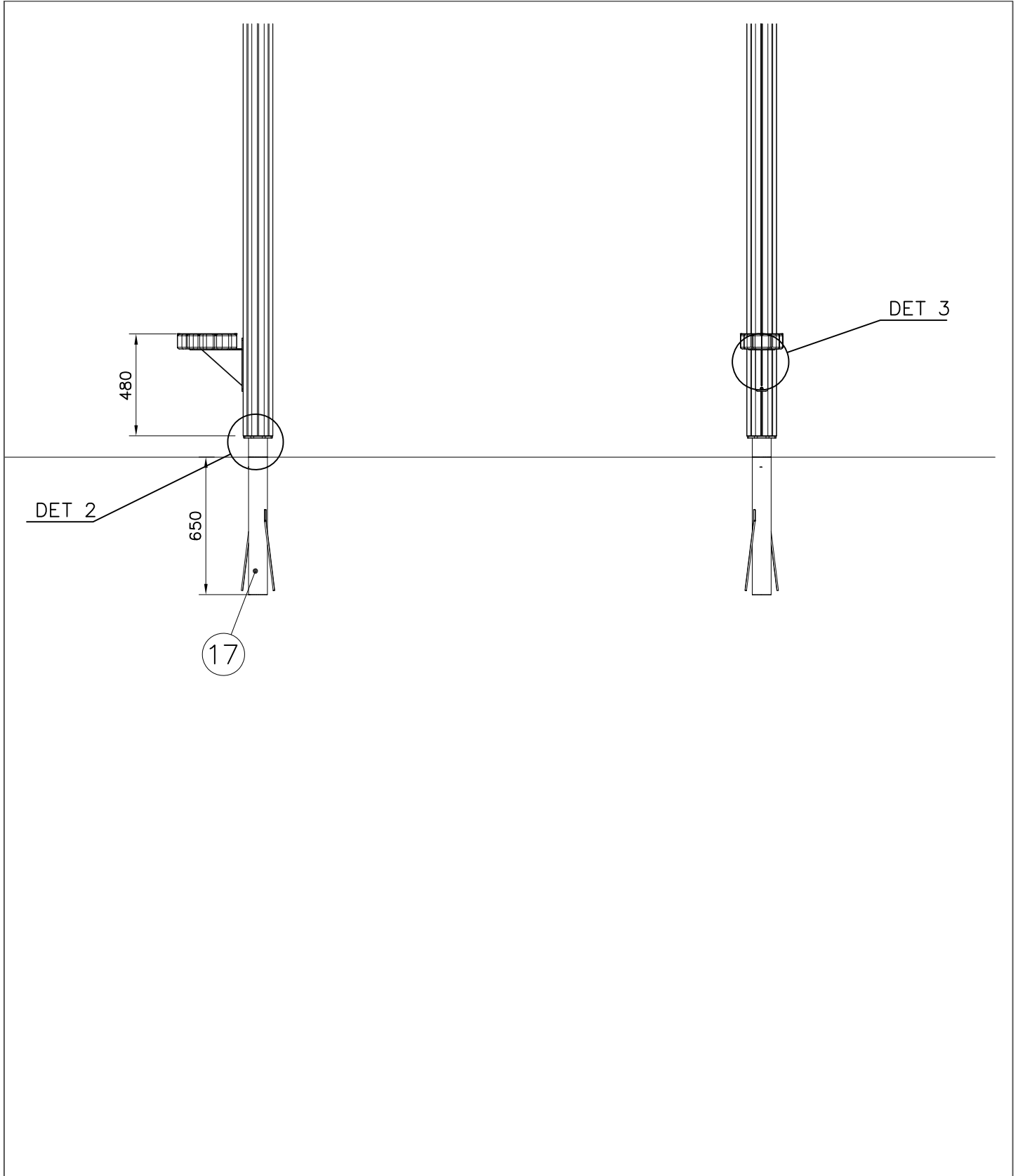


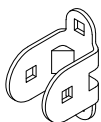
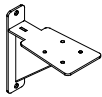




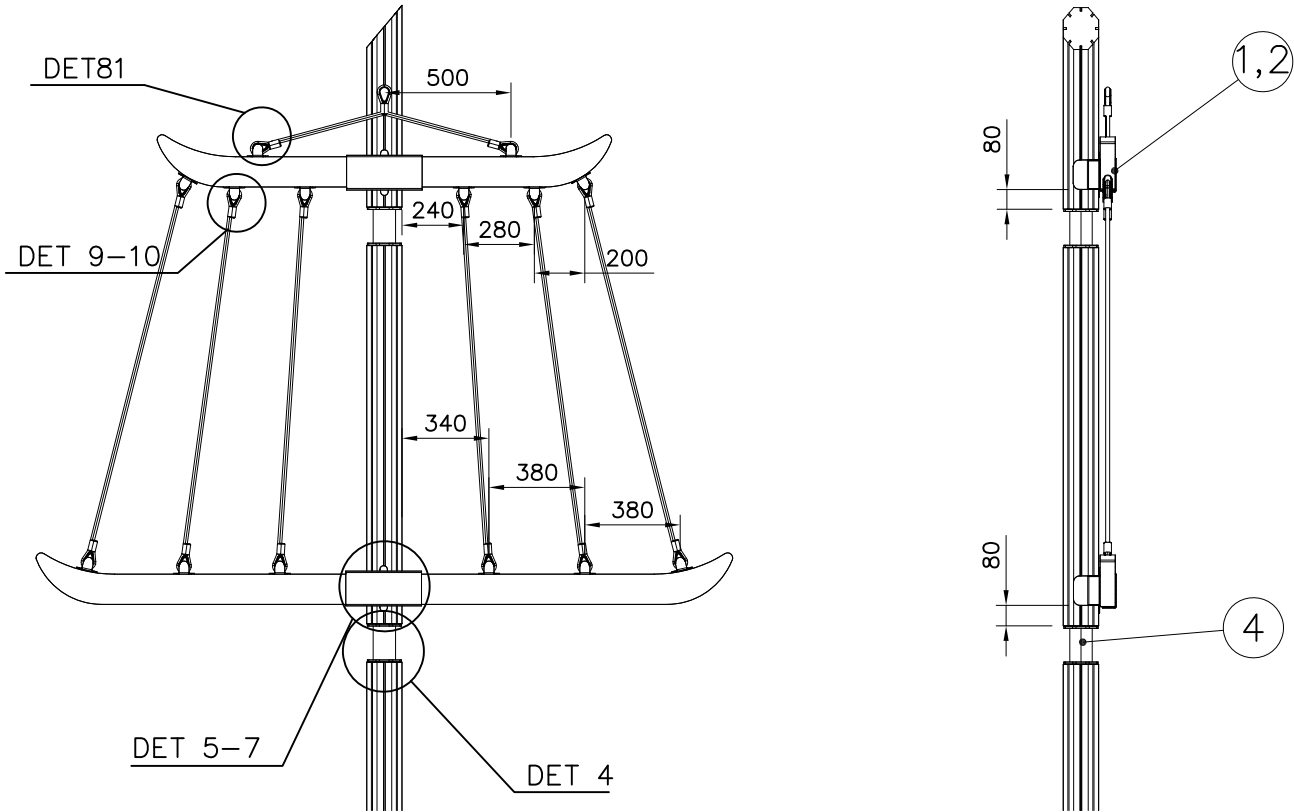


① 911541	PCS	② 911600	PCS
	2		2
3x54x138x300			
③ 708575	PCS	④ P07312	PCS
	1		2
140x140x800		135x135x150	
⑤ 708820	PCS	⑥ 710044	PCS
	1		1
		60x230x1850	
⑦ 710077	PCS	⑧ 710079	PCS
	1		1
140x140x3000		L=1580	
⑨ 710096	PCS	⑩ 710098	PCS
	1		1
93x93x1527		140x140x1500	
⑪ 710100	PCS	⑫ 710101	PCS
	2		2
L=1850		L=1790	

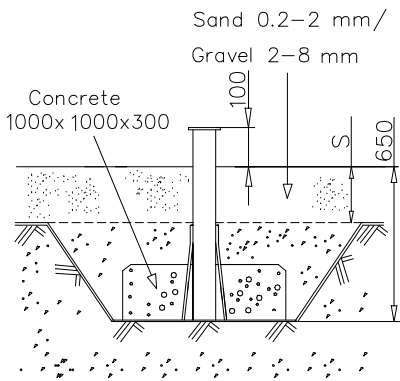
⑬ 710104	PCS	⑭ 900240	PCS	⑮ 902607	PCS	⑯ 903093	PCS	⑰ 903112	PCS	⑱ 905083	PCS
	2		1		4		14		1		28
L=1780		Ø8x70		M8		Ø8x90		L=750		Ø32	
⑲ 980123	PCS	⑳ 905104	PCS	㉑ 905112	PCS	㉒ 909097	PCS	㉓ 980150	PCS	㉔ 909256	PCS
	56		40		28		14		14		4
Ø7x60		M10		Ø22		M8x60		M8		Ø16/8.4	



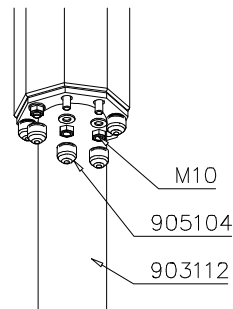
②⑤	909561	PCS	②⑥	911437	PCS	②⑦	980151	PCS	②⑧	980160	PCS
	14			1			28			4	
						Ø16/8.4			M8		



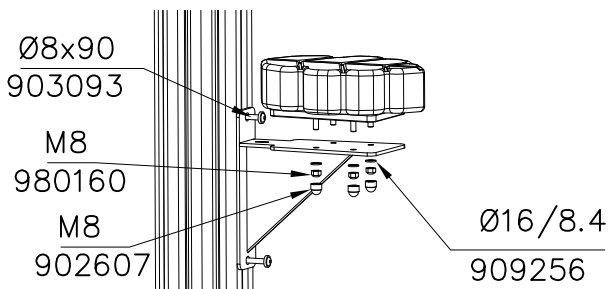
DET 1



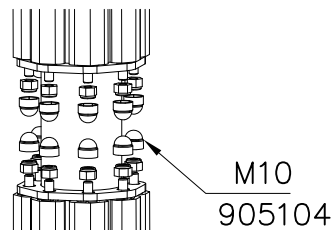
DET 2



DET 3

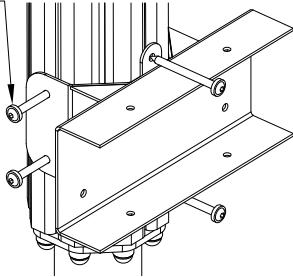


DET 4



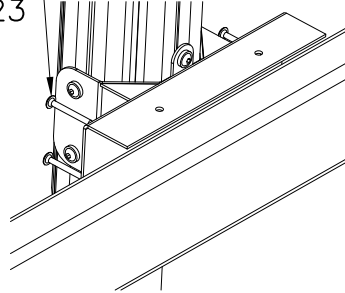
DET 5

Ø8x90
903093

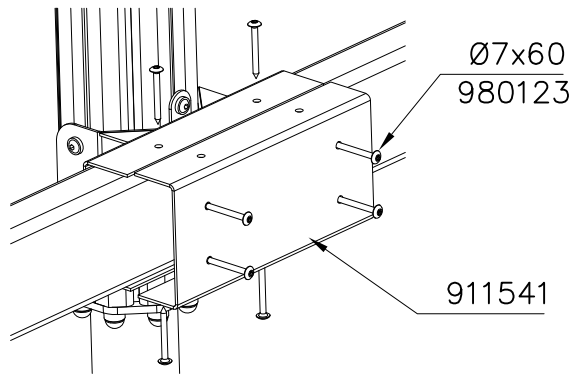


DET 6

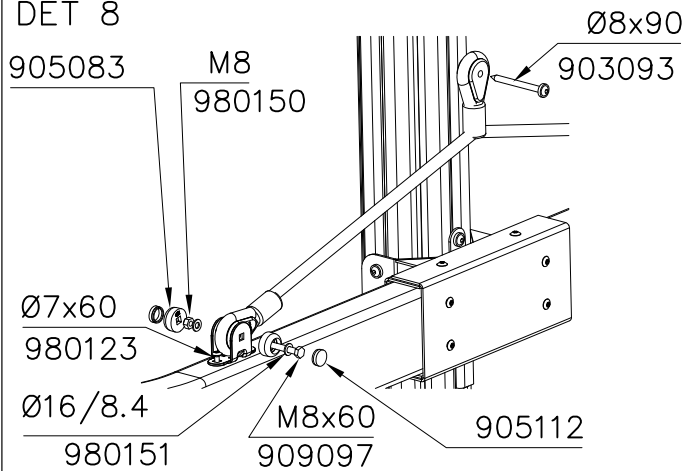
Ø7x60
980123



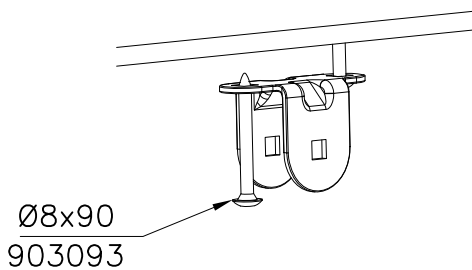
DET 7



DET 8



DET 9



DET 10

