



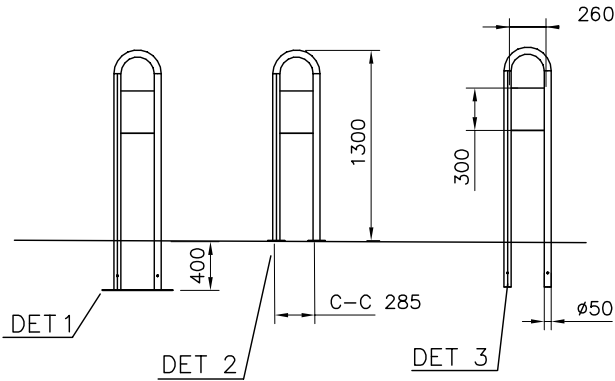
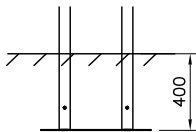


① R00607	PCS	② R00612	PCS
	1		1
deep mounting		surface mounting	
③ R00611	PCS	④ 702341	PCS
	1		1
dig down		90 x 50	



DET 1



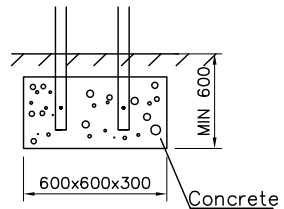
Concrete not needed

DET 2



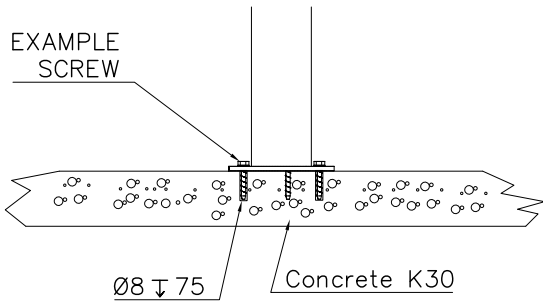
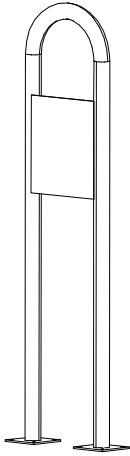
For surface fixation

DET 3



Concrete

Surface foundation on the ground



Surface foundation on the concrete plate

