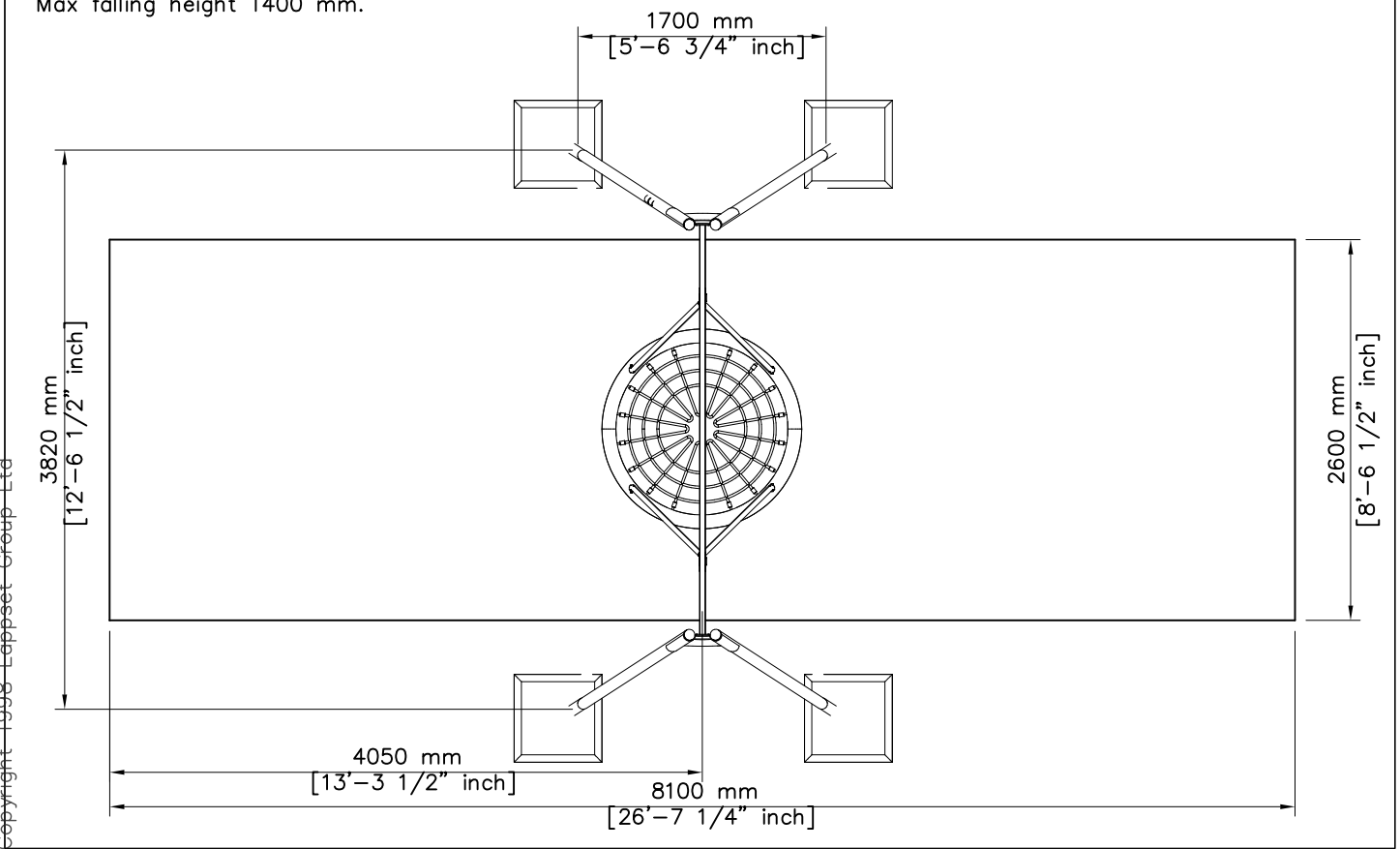
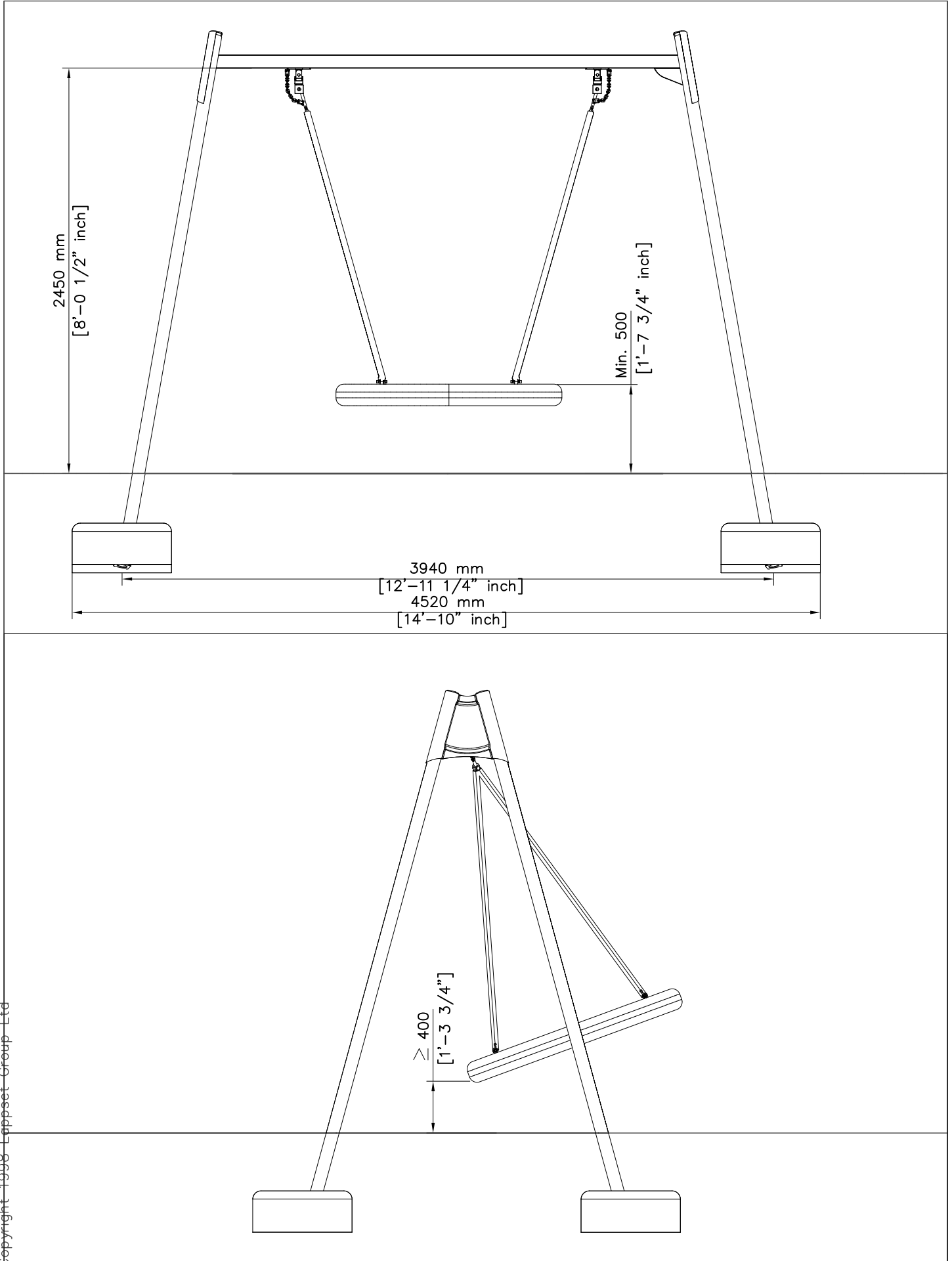
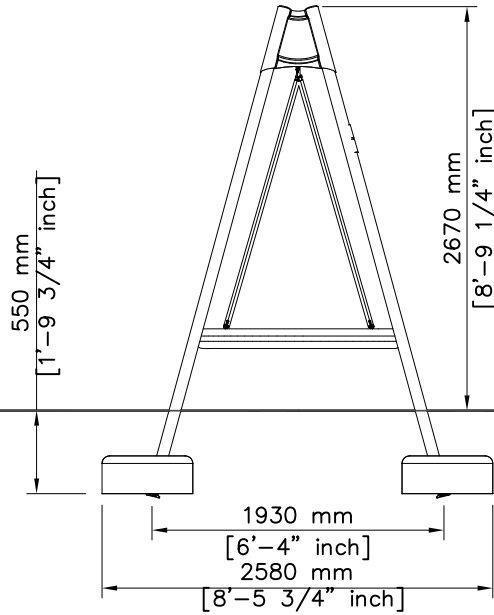


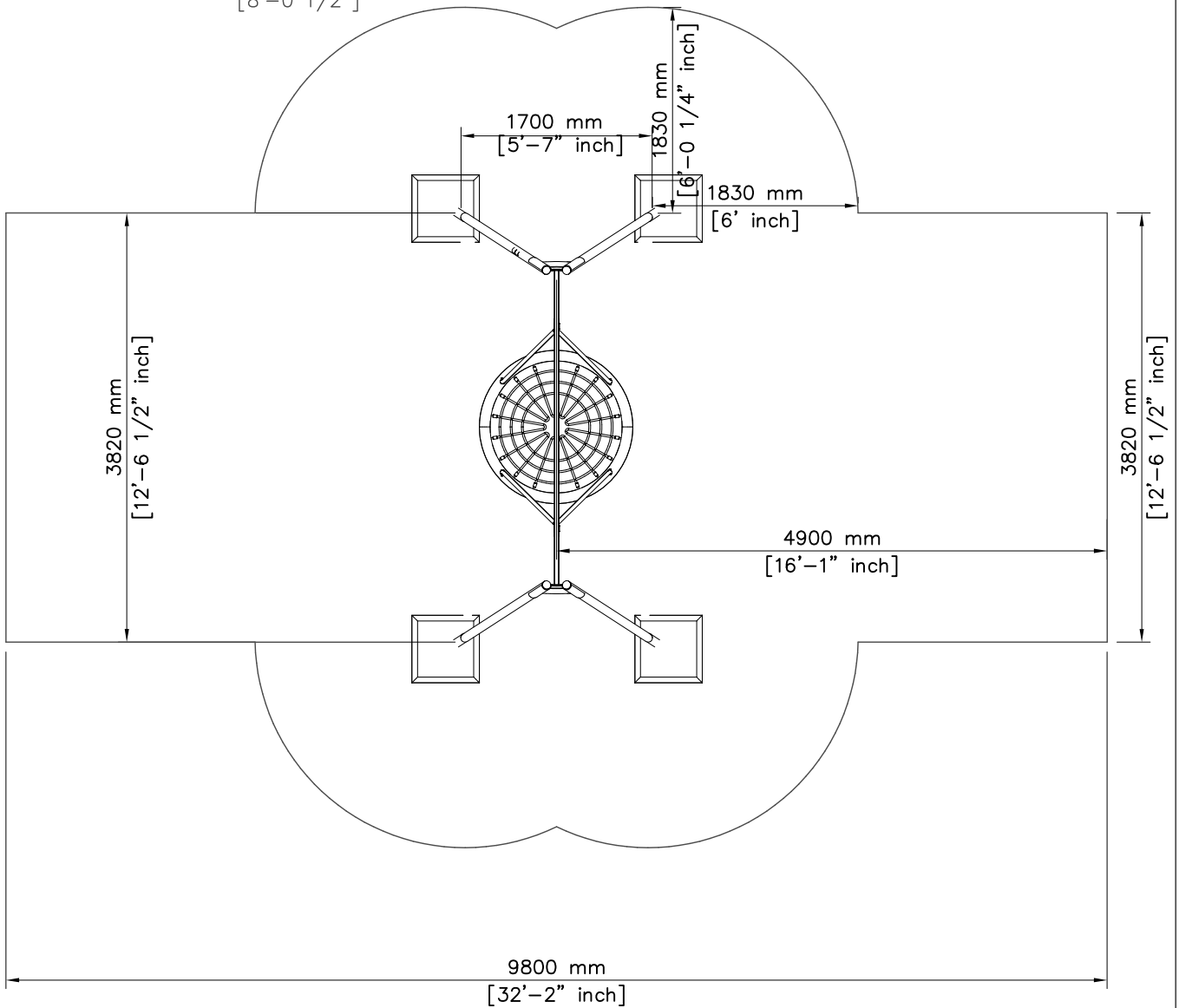
EN Impact Area 21.1 m²
Falling space 21.1 m²
Max falling height 1400 mm.



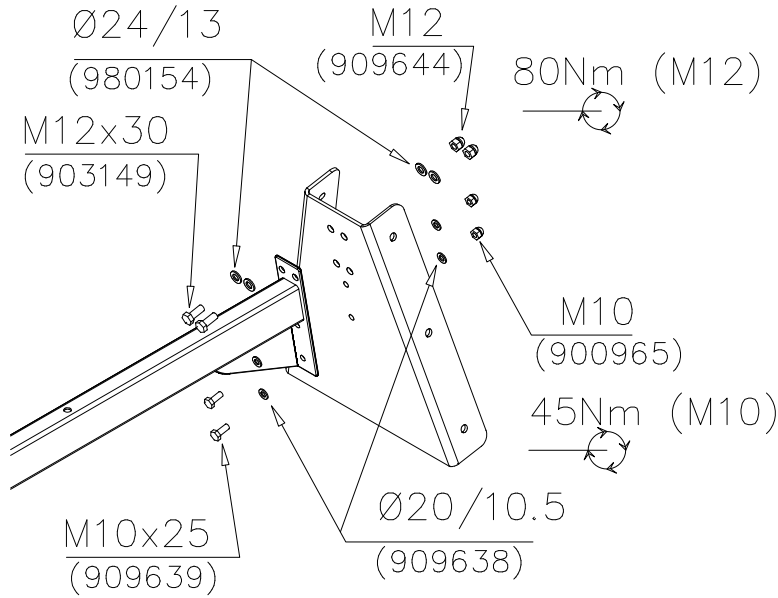





ASTM Use Zone 535 sq ft
Max Fall Height 2450 mm
[8'-0 1/2"]

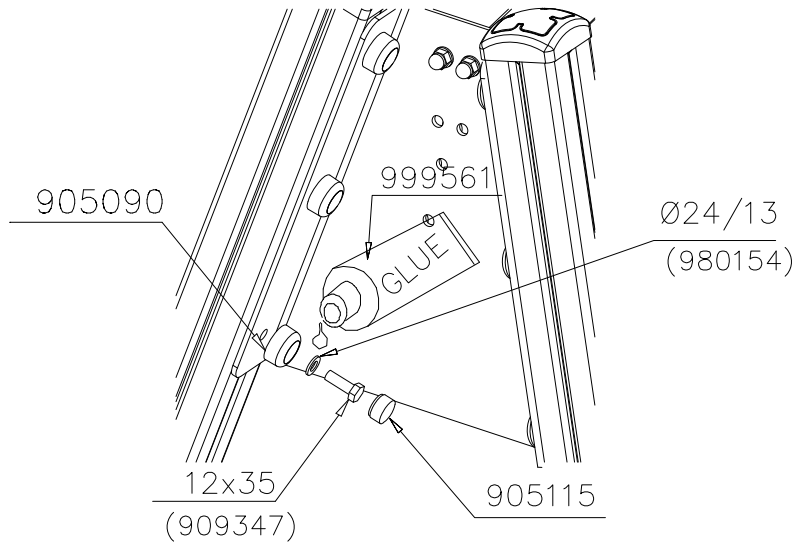


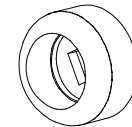
DET A



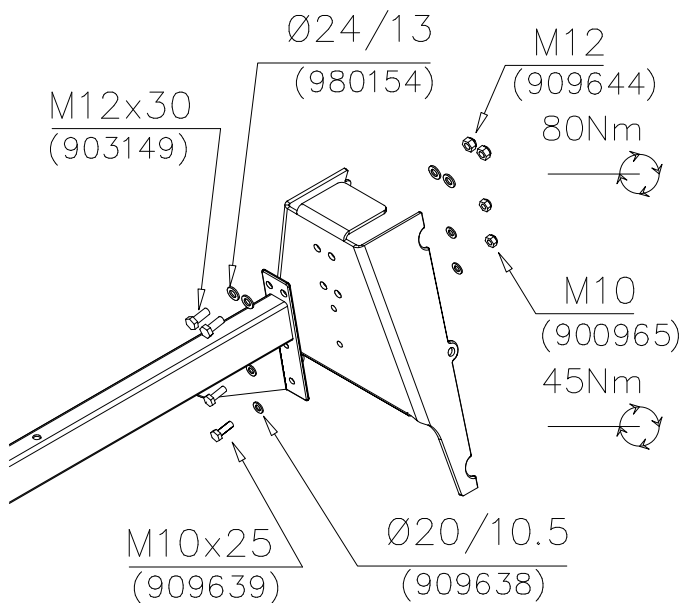
-  M12x30 2 pcs
-  Ø24/13 4 pcs
-  M12 2 pcs
-  M10x25 2 pcs
-  Ø20/10.5 4 pcs
-  M10 2 pcs
-  905991 1 pcs

DET A1



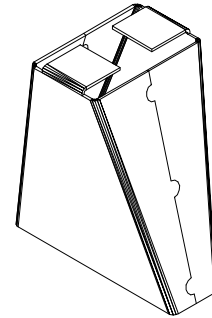
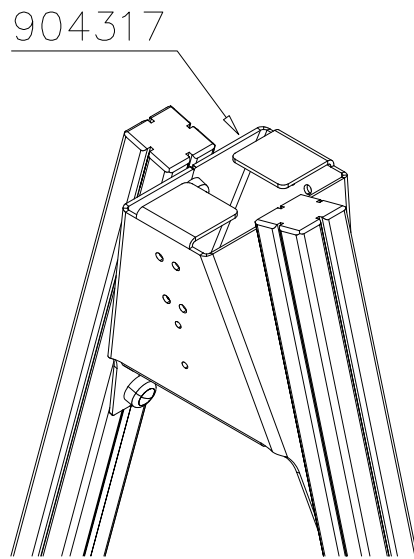
-  M12x35 6 pcs
-  Ø24/13 6 pcs
-  Ø45 6 pcs
-  Ø30 6 pcs
-  GLUE

DET B



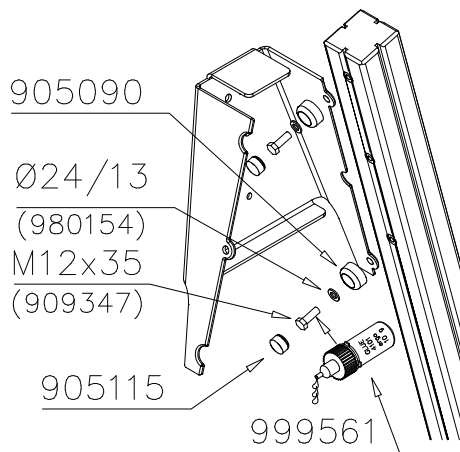
-  M12x30 2 pcs
-  Ø24/13 4 pcs
-  M12 2 pcs
-  M10x25 2 pcs
-  Ø20/10.5 4 pcs
-  M10 2 pcs

DET B



904317

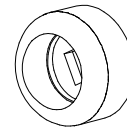
DET B1



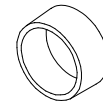
M12x35 6 pcs



Ø24/13 6 pcs



Ø45 6 pcs

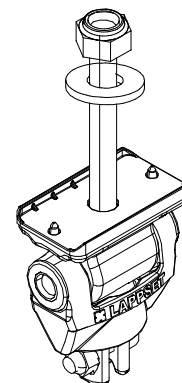
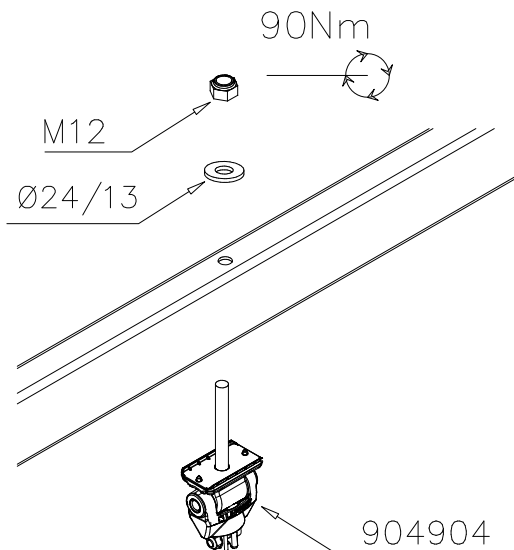


Ø30 6 pcs



GLUE

DET C



904904

DET D

90Nm

M12x110
(906499)

Ø24/13
(980154)

901958

M8x35

Ø24/13
(980154)

M12
(902234)

M8

CUT EXTRA CHAIN

M12x110 2 pcs

Ø24/13 4 pcs

M12 2 pcs

901958 1 pcs

DET D

903577

903577 1 pcs

DET E

6x60
980131

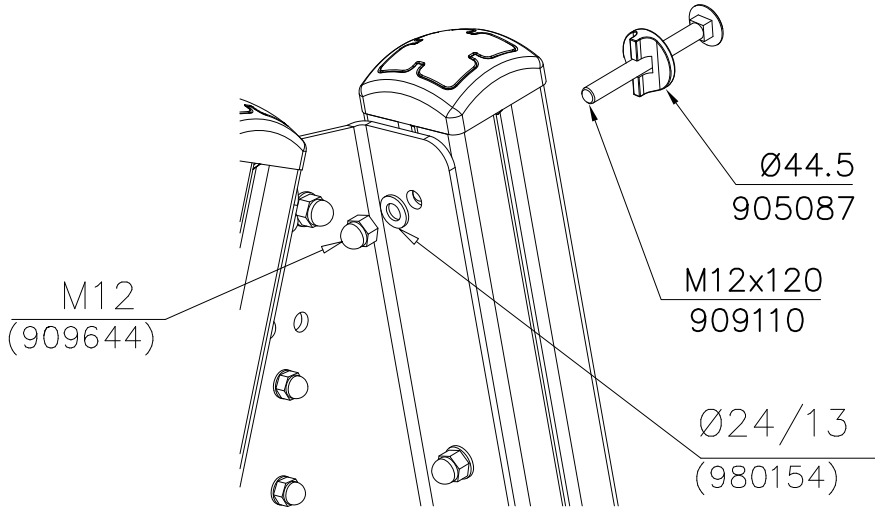
980131 4 pcs

905138 1 pcs

905196 1 pcs

REF: SWING
DATE: 29.6.2022

DET F



DET G

